

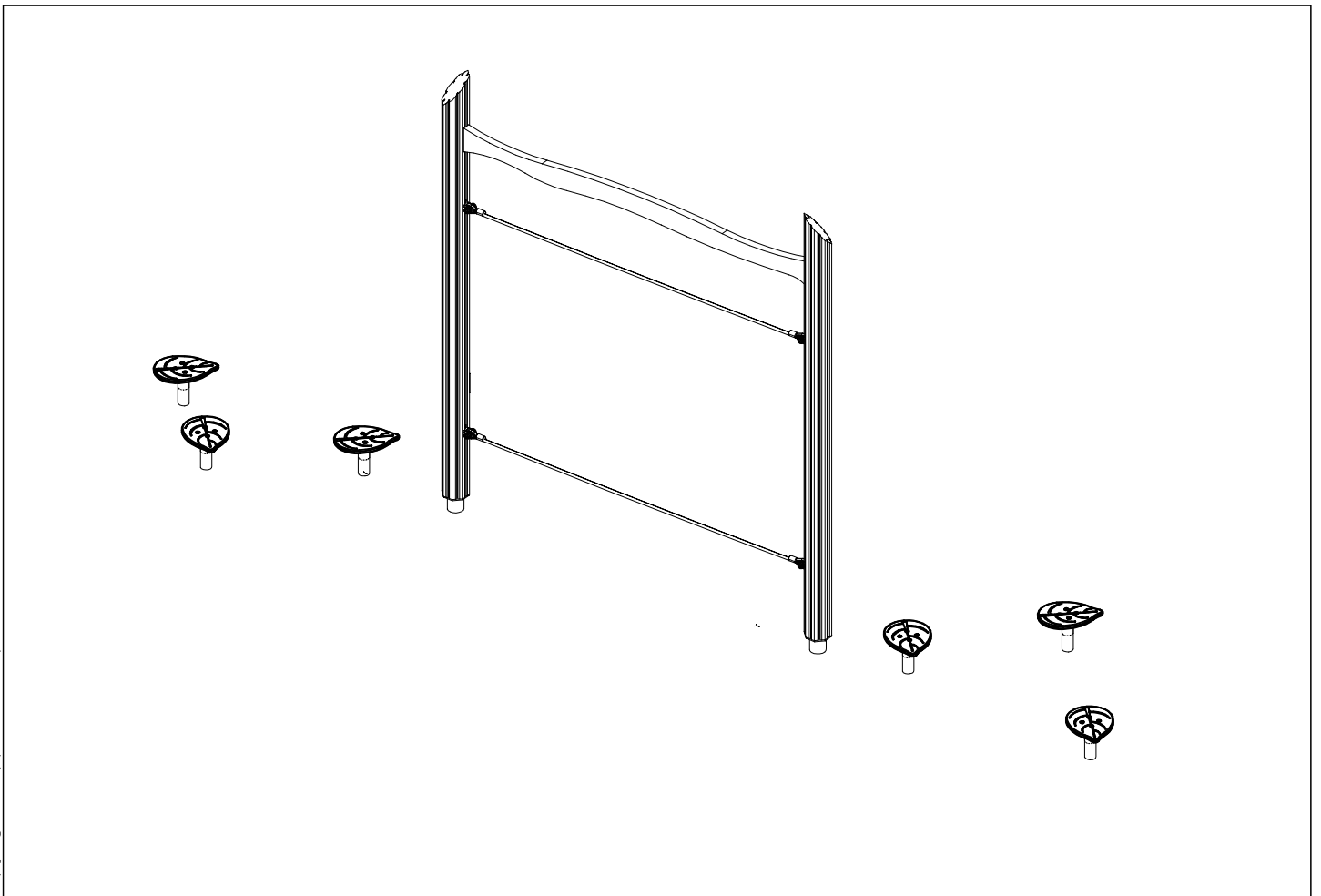
LAPPSET®

FLORA


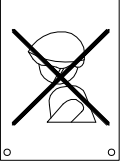

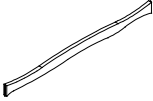


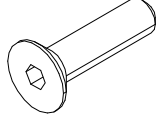
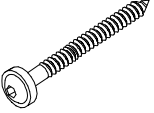

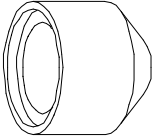
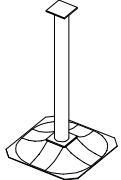

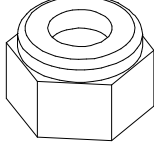
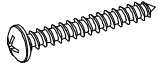

ASENNUSOHJE
MONTERINGSANSVISNING
INSTALLATION INSTRUCTION
AUFBAUANLEITUNG
NOTICE D'INSTALLATION

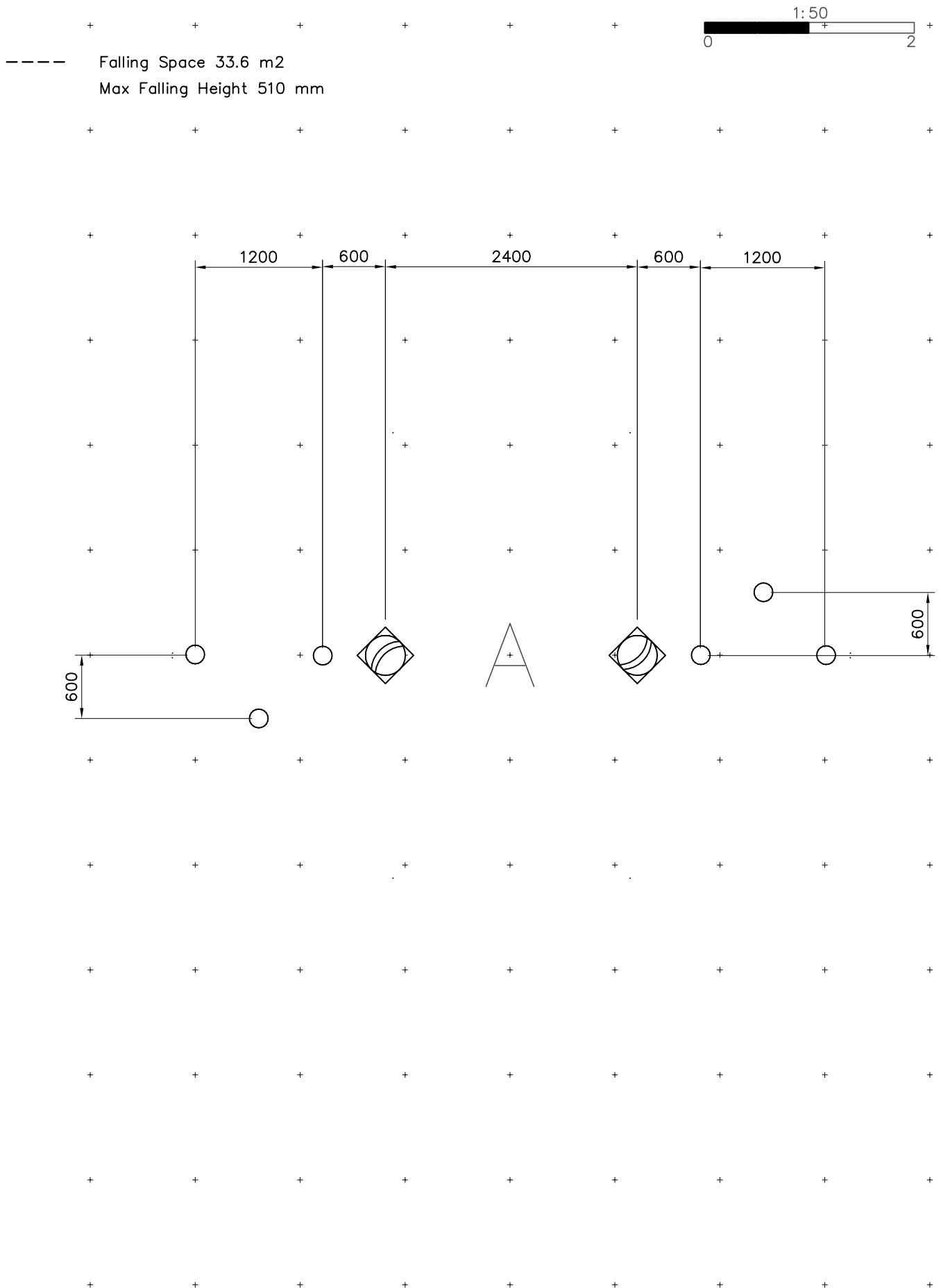
DATE: 24.7.2024

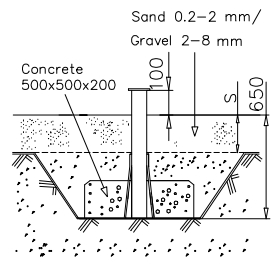
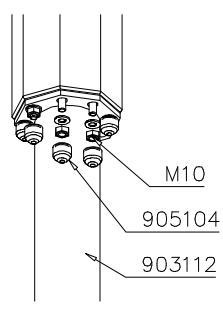
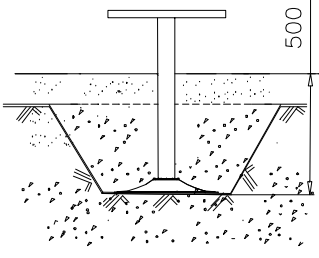
QFL0098



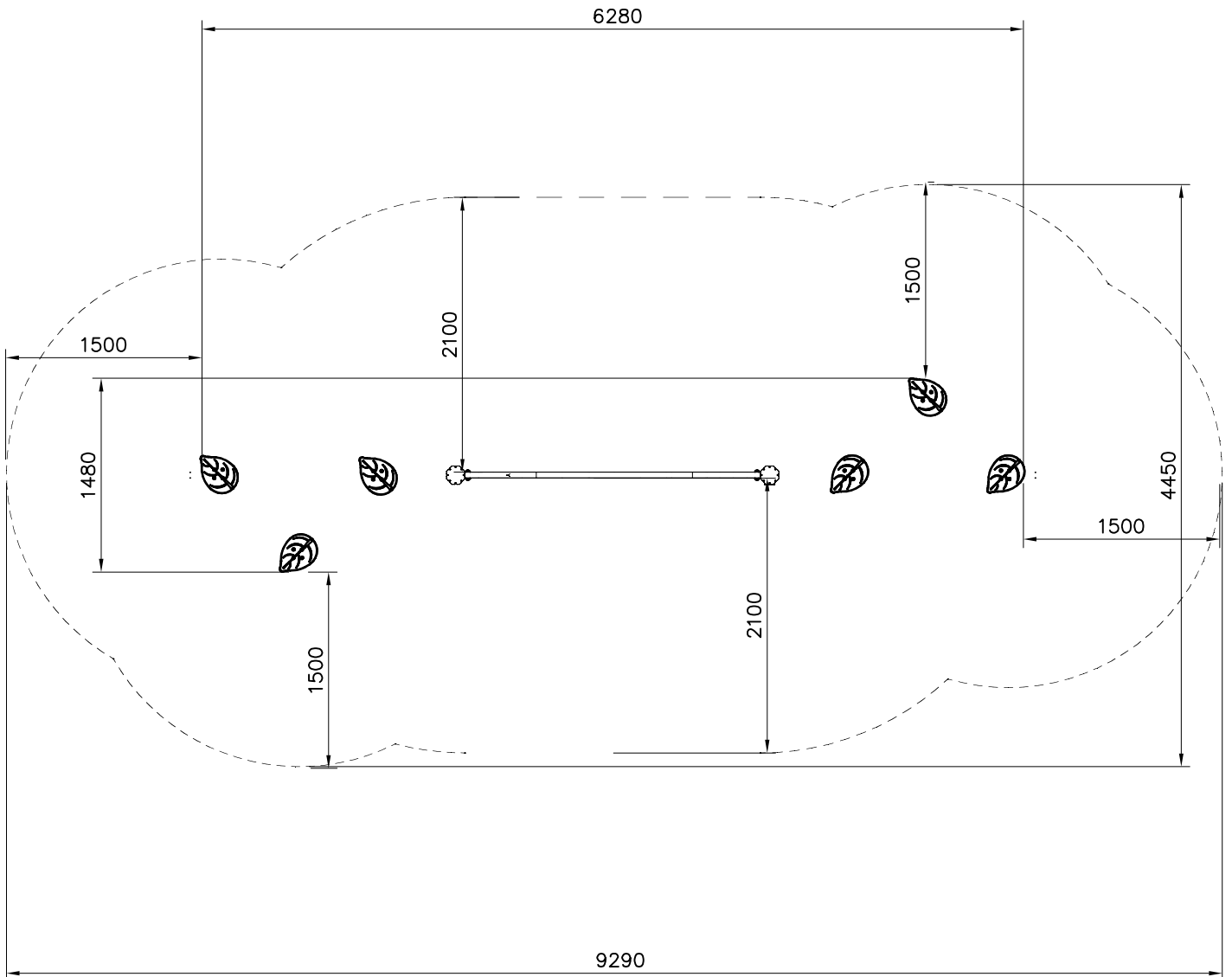
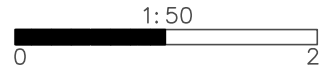
DATE: 24.7.2024

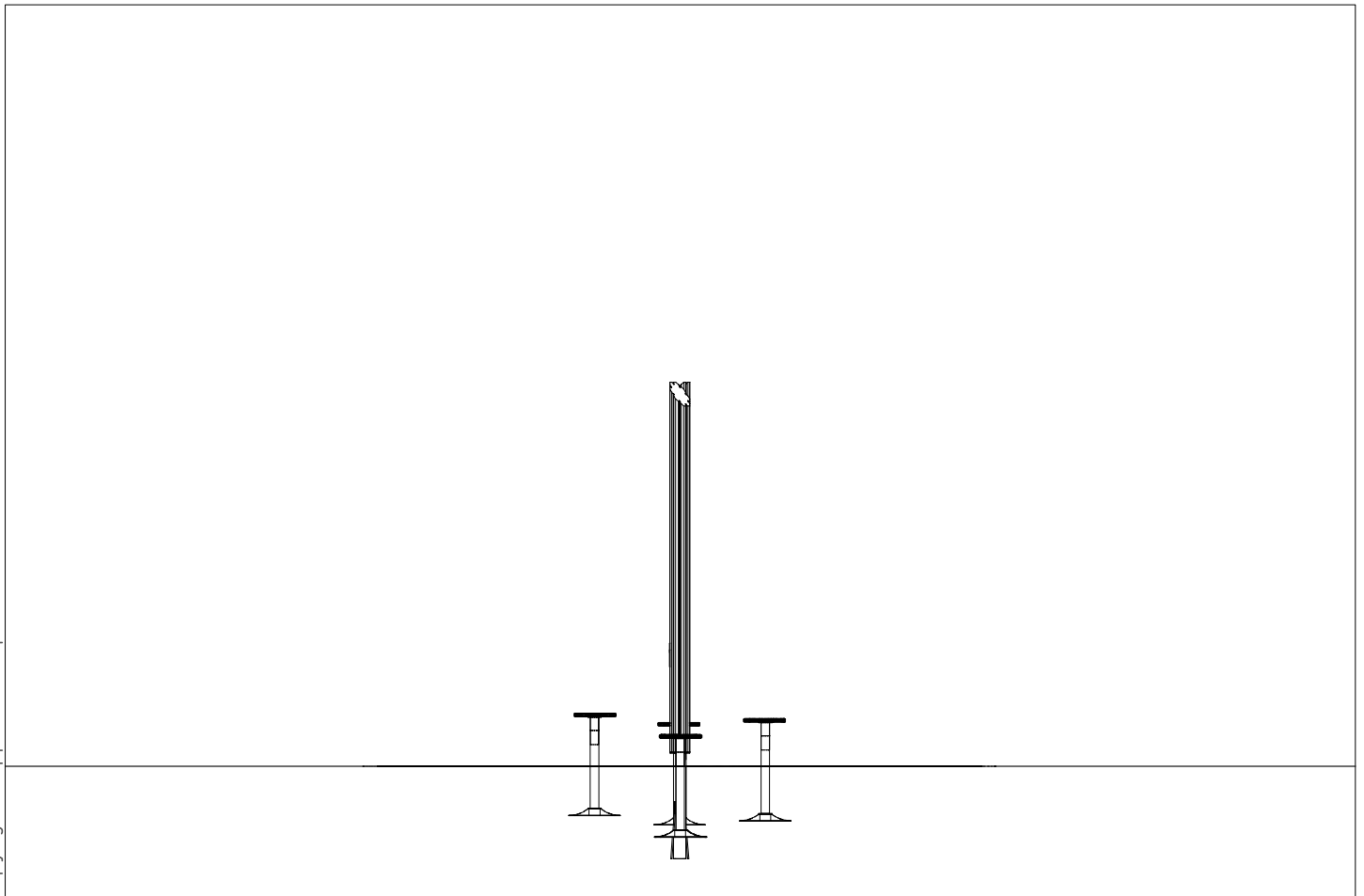
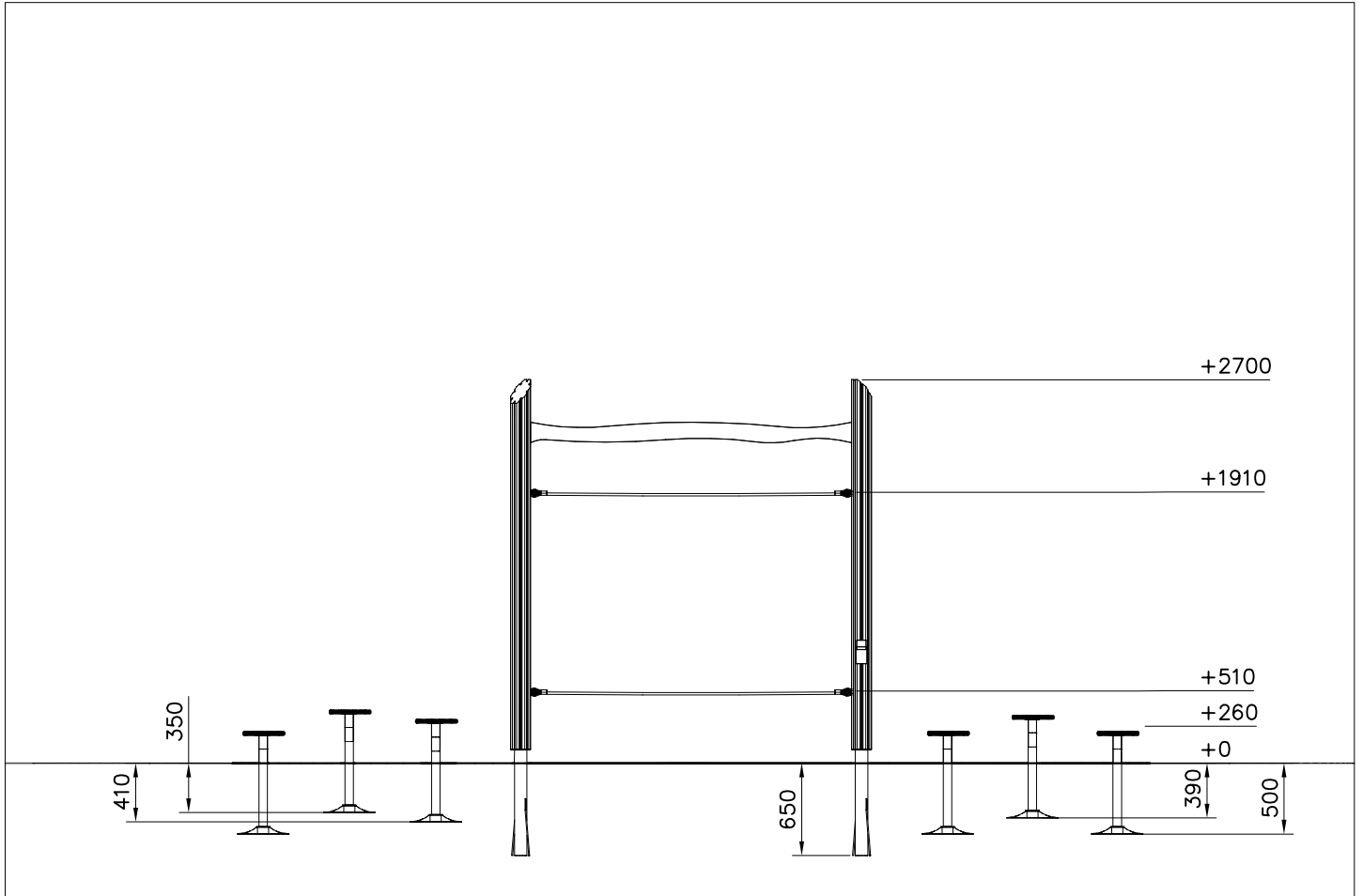
702286  65x65	PCS 1	702339  118x78	PCS 1	705377-001  140x140x2594	PCS 2	705804-001  45x145x2280	PCS 1	711863  	PCS 2	901487  M10x40	PCS 24
903093  Ø8x90	PCS 4	903112  l=750	PCS 2	905104  M10	PCS 40	909521  	PCS 6	909637  Ø20/10,5	PCS 24	980114  Ø4x20	PCS 8
P03805  20x250x350	PCS 6		PCS		PCS		PCS		PCS		PCS
	PCS		PCS		PCS		PCS		PCS		PCS
	PCS		PCS		PCS		PCS		PCS		PCS
	PCS		PCS		PCS		PCS		PCS		PCS
	PCS		PCS		PCS		PCS		PCS		PCS

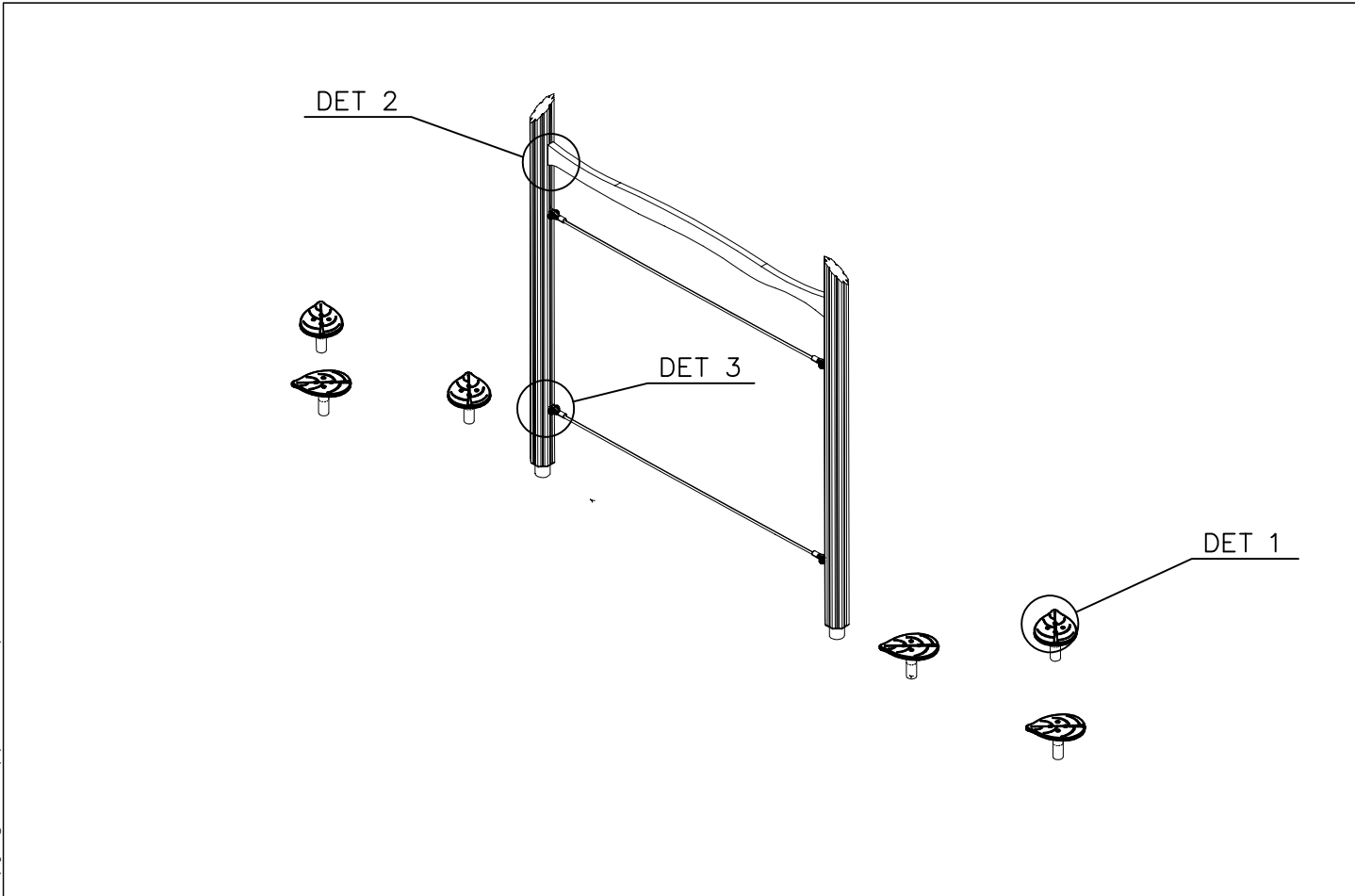
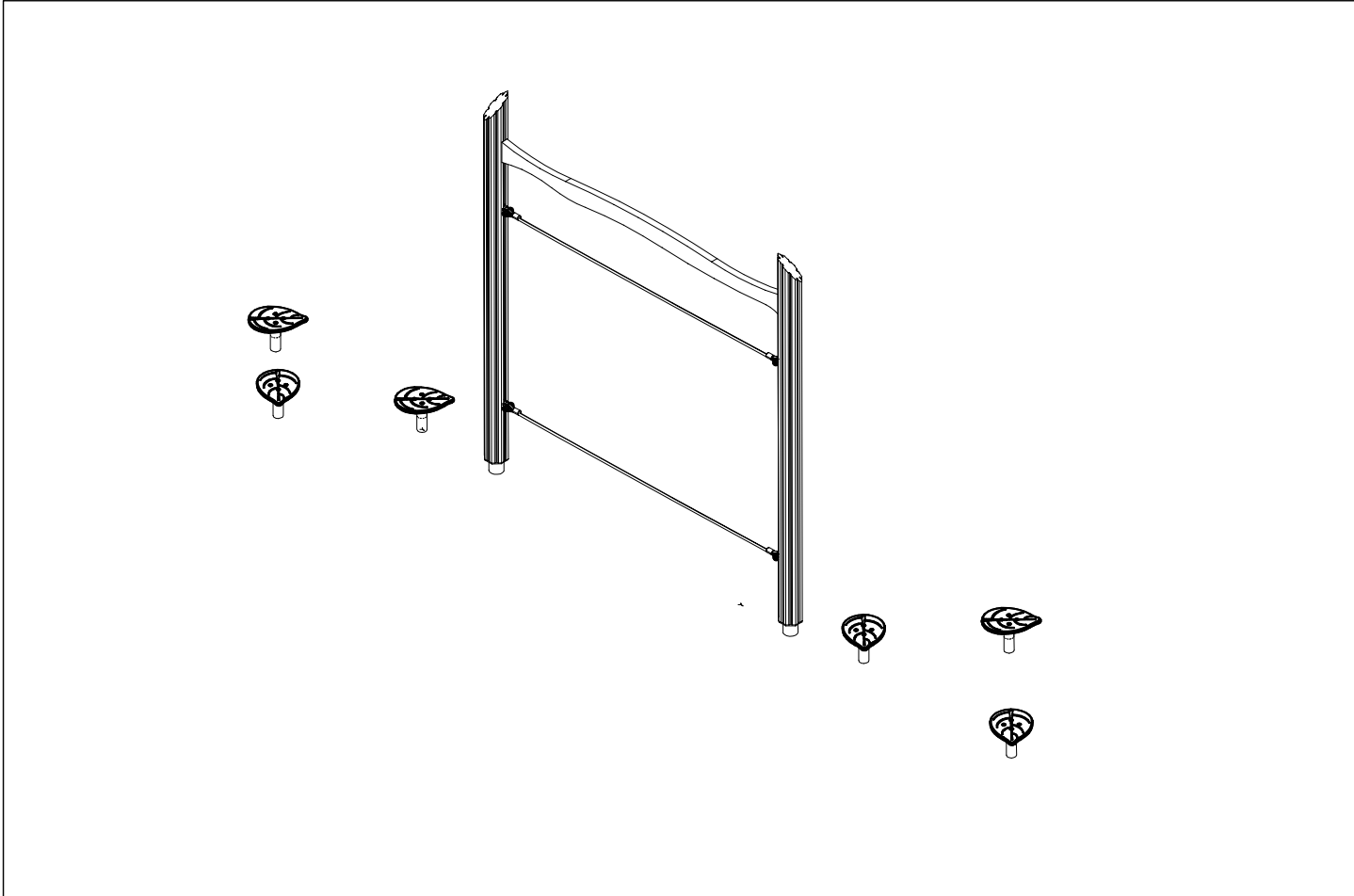


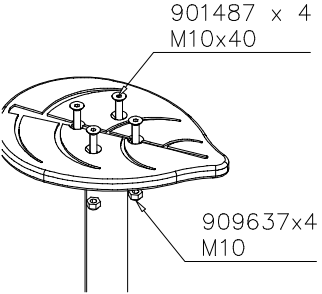
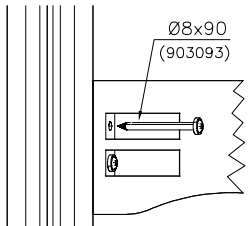
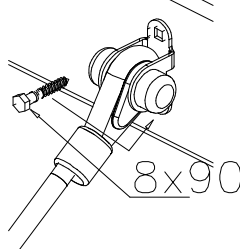
<p>□</p>  <p>Sand 0.2-2 mm/ Gravel 2-8 mm</p> <p>Concrete 500x500x200</p> <p>100</p> <p>650</p>	<p>□</p>  <p>M10</p> <p>905104</p> <p>903112</p>	<p>○</p>  <p>500</p>

----- Falling Space 33.6 m²
Max Falling Height 510 mm

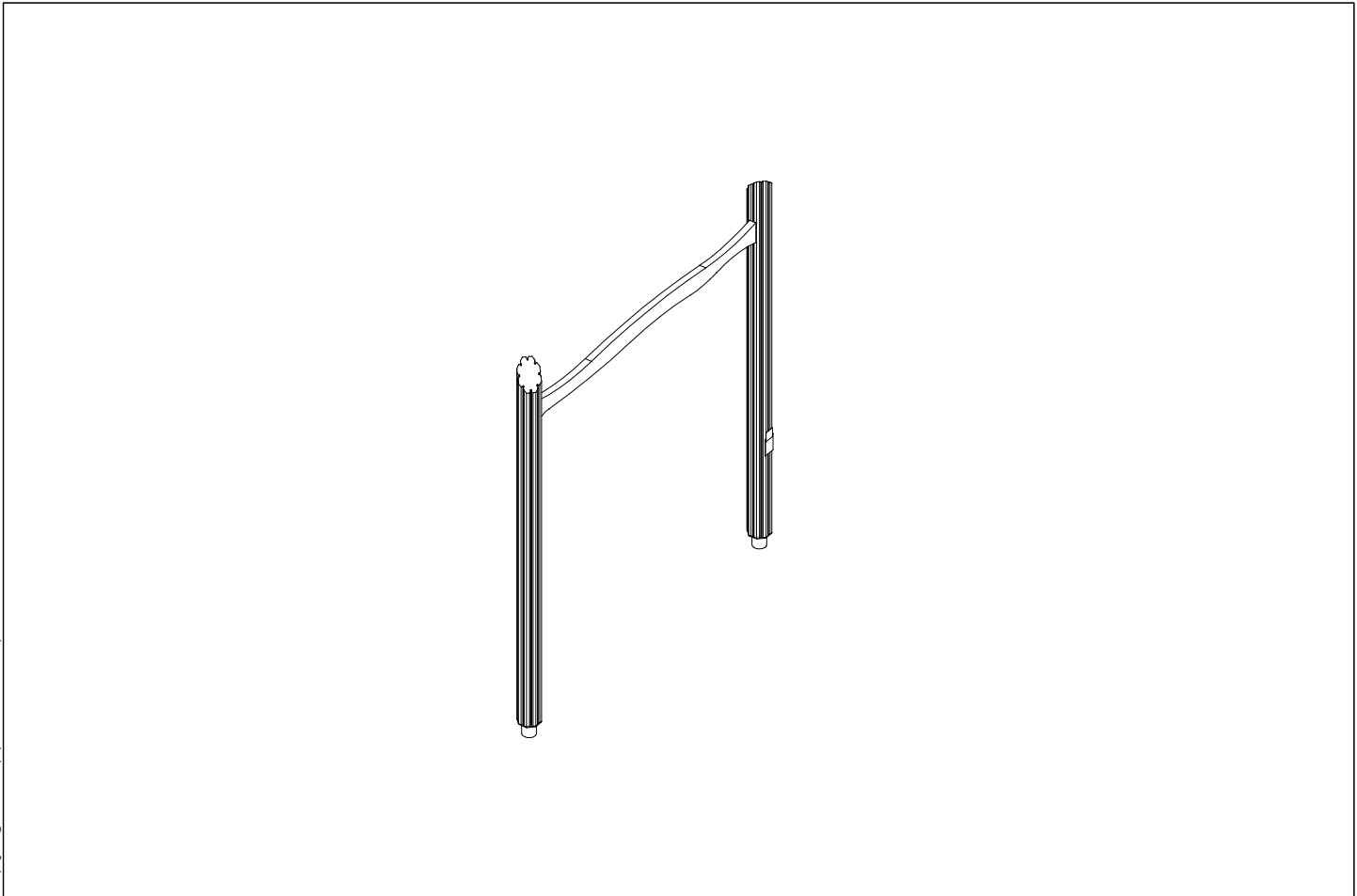
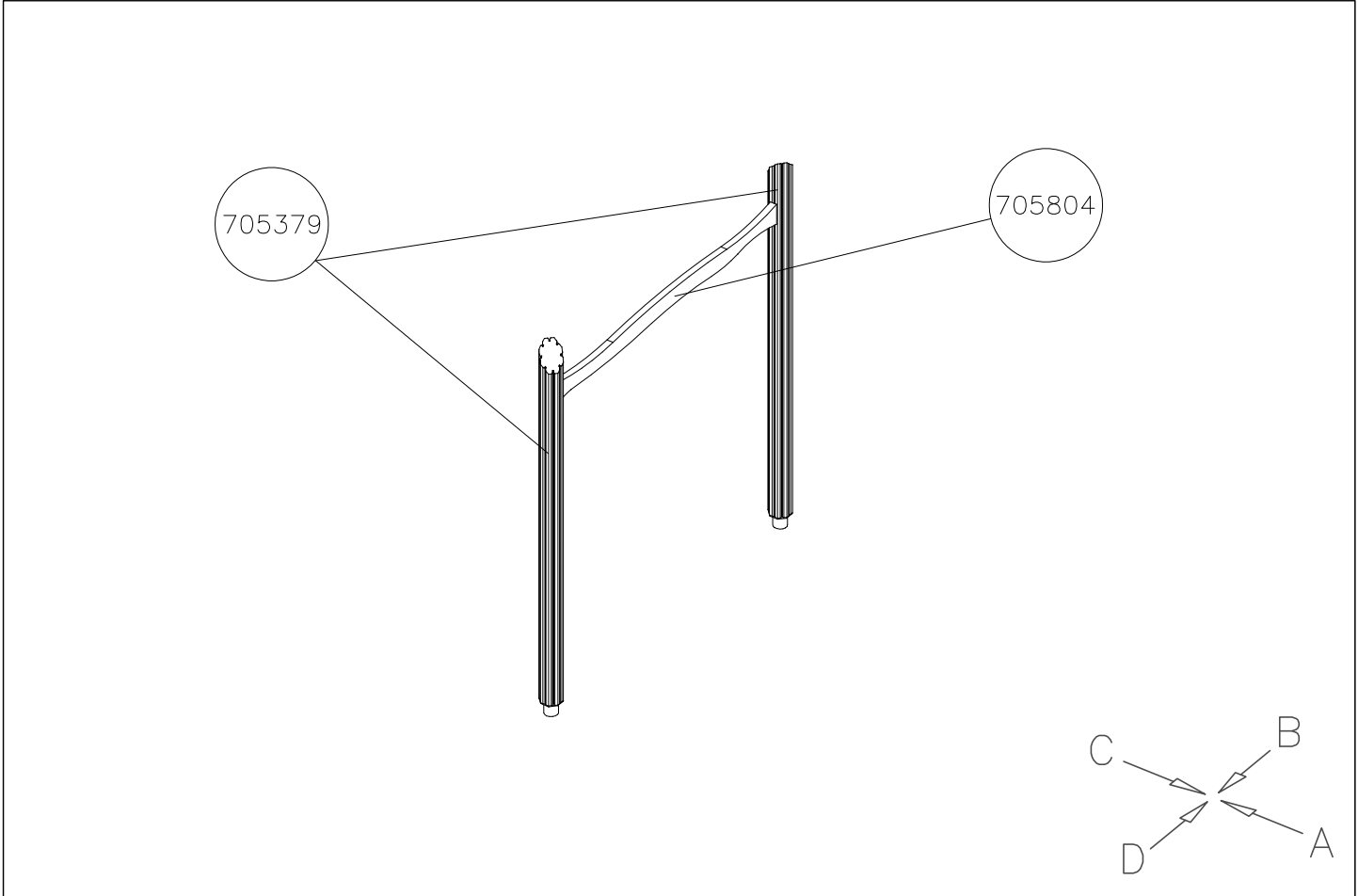






DET 1	DET 2	DET 3	
			

DATE: 24.7.2024



DATE: 24.7.2024

