

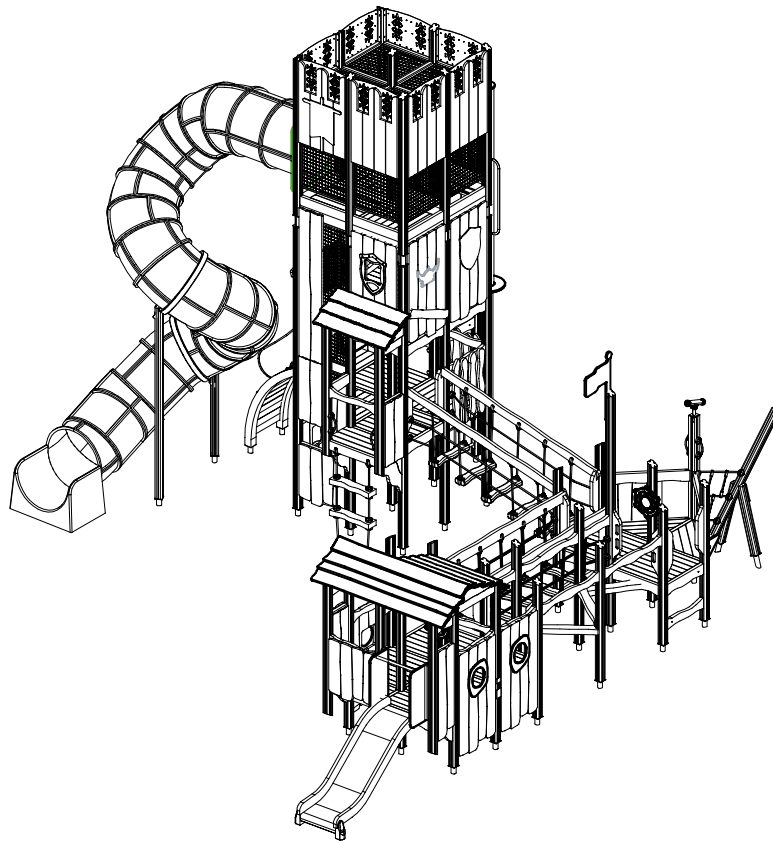
LAPPSET®

FINNO

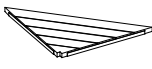
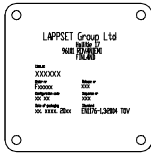
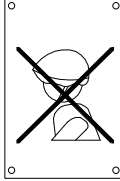


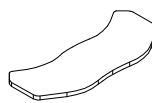

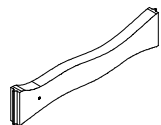

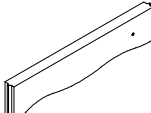



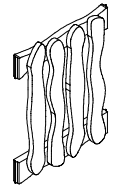



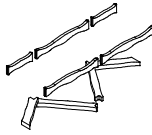



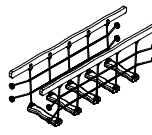



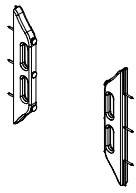

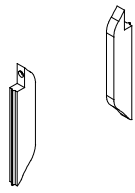



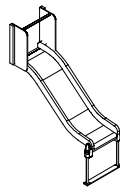

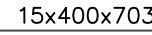
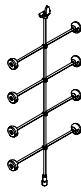
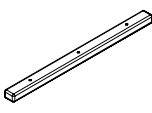
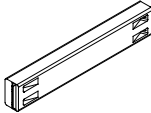
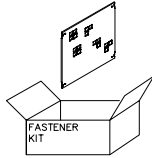
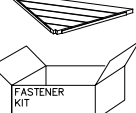
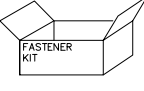
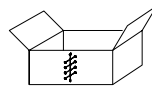
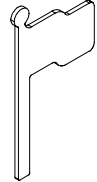
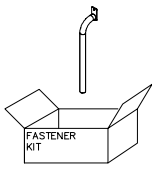
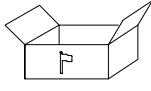
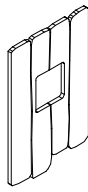

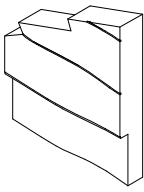
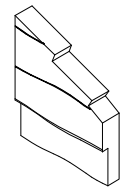
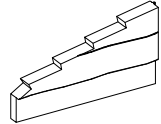
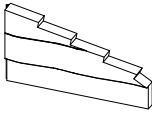
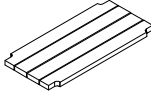
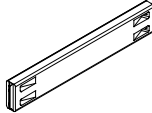

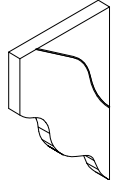

ASENNUSOHJE
MONTERINGSANSVISNING
INSTALLATION INSTRUCTION
AUFBAUANLEITUNG
NOTICE D'INSTALLATION

DATE: 13.9.2024

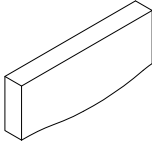
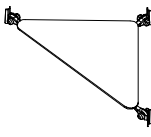


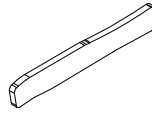




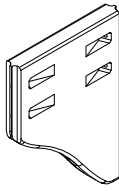
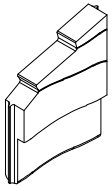
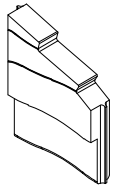
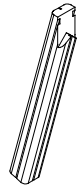
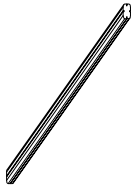

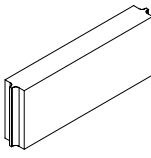


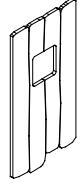
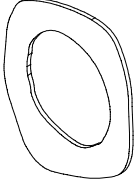



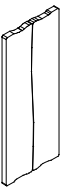
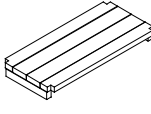

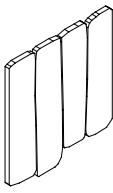
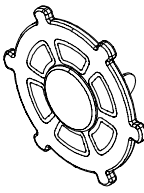
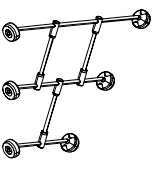






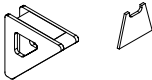
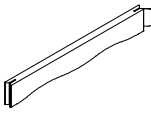
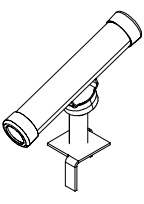

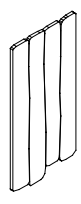
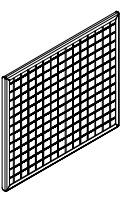






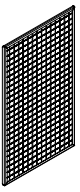

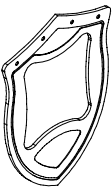
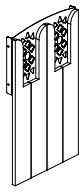
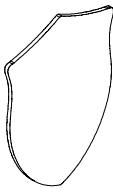
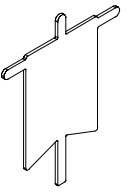






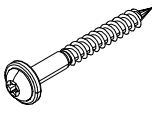


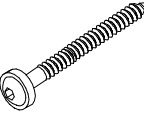
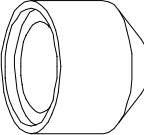

QFL0090



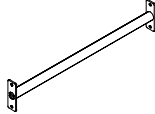
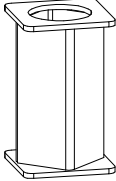
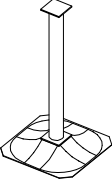
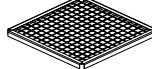
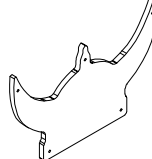
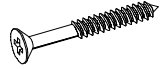


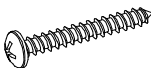
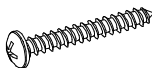

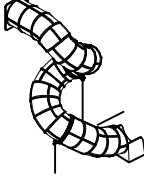



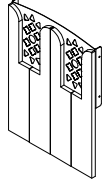
DATE: 17.9.2024

008985  32x714x714	PCS 2	702286  65x65	PCS 1	702339  118x78	PCS 1	703703  	PCS 1	703767  	PCS 1	705197-001  45x145x724	PCS 2
705206-001  93x93x2146	PCS 12	705211-001  45x145x724	PCS 59	705214-001  45x145x724	PCS 8	705217-001  93x93x2250	PCS 1	705220-001  93x93x2446	PCS 3	705230-001  	PCS 3
705236-001  93x93x3138	PCS 1	705238-001  93x93x2846	PCS 2	705247-001  	PCS 1	705258-001  	PCS 17	705262-001  	PCS 2	705375-001  	PCS 1
705506-001  	PCS 5	705507-001  	PCS 4	705511  	PCS 12	706234-001  	PCS 1	706461 15x400x703 	PCS 1	706480-303  1580x705	PCS 1
706508  32x45x650	PCS 6	706512-001  70x120x724	PCS 2	706534  FASTENER KIT	PCS 1	706537   FASTENER KIT	PCS 2	706543 	PCS 1	707621-609  21x489x900	PCS 1
707732  FASTENER KIT	PCS 2	707839 	PCS 1	708437-001  	PCS 1	708645-001 	PCS 2	708670-001 	PCS 2	708681-001  68x385x725	PCS 1
708696-001  68x385x725	PCS 1	708709-001  32x400x840	PCS 2	708746-001  45x120x724	PCS 55	708884-001  45x374x560	PCS 2	708885-001  45x374x560	PCS 2	708905-001  93x93x1846	PCS 6

DATE: 17.9.2024

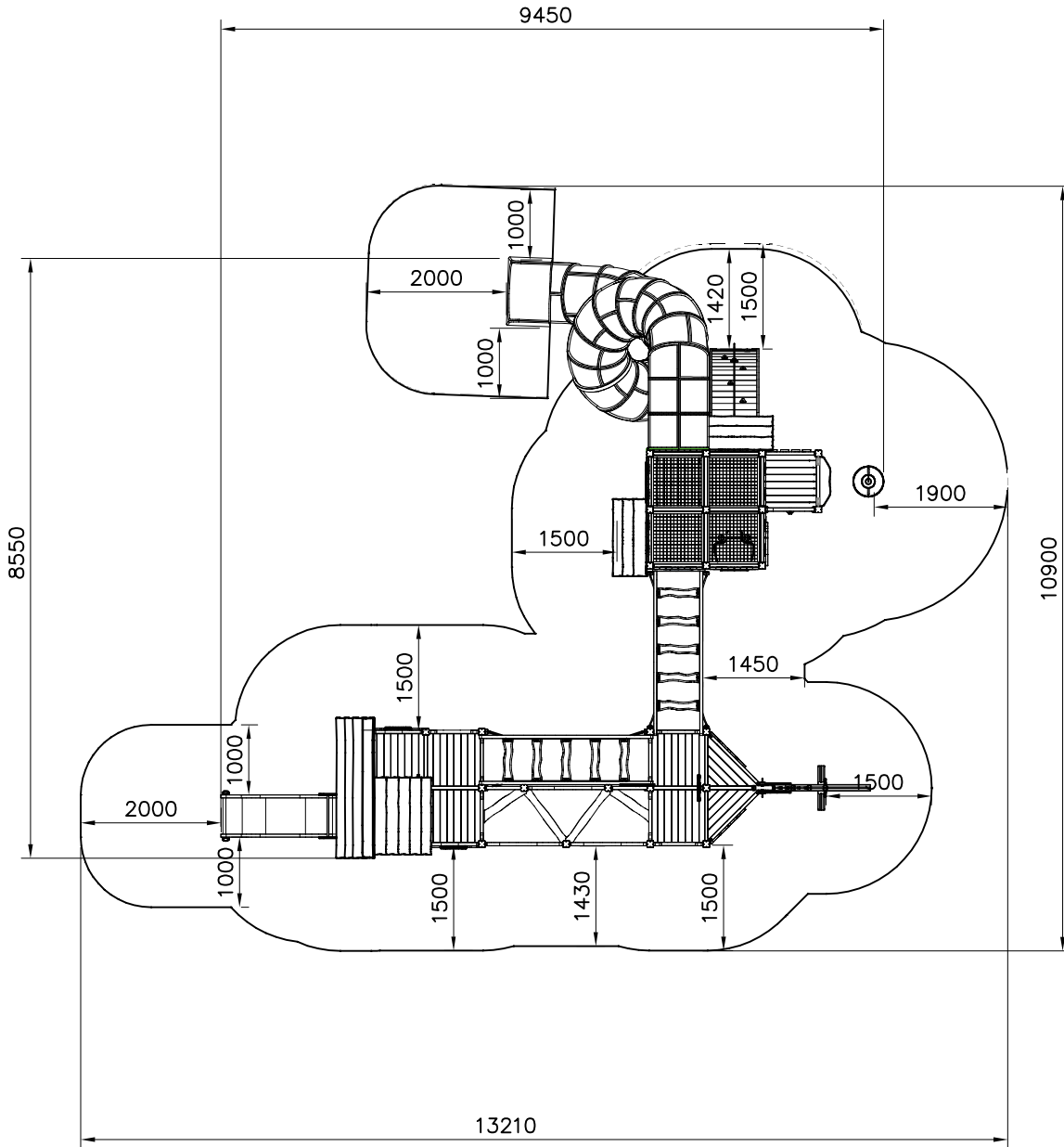
708906-001	Pcs 4	708945	Pcs 2	708970-001	Pcs 1	708989-001	Pcs 9	709062-001	Pcs 3	709692-001	Pcs 1
											
45x143x363						93x93x3800		28x120x800		93x93x1150	
709901-001	Pcs 1	709904-001	Pcs 3	710072-001	Pcs 2	710073-001	Pcs 1	710081-001	Pcs 2	710084-001	Pcs 1
											
93x93x2570		45x324x450		68x324x400		68x324x400		93x93x891		93x93x2183	
710105-001	Pcs 1	711368-001	Pcs 4	711369-001	Pcs 11	711502-001	Pcs 1	711506-001	Pcs 5	711509	Pcs 3
											
93x93x2150		45x120x324		93x93x1846							
711510-001	Pcs 5	711516-001	Pcs 2	711517-001	Pcs 2	711519-001	Pcs 8	711524	Pcs 2	711531	Pcs 1
											
											
711532-001	Pcs 1	711534-001	Pcs 4	711535	Pcs 1	711536-001	Pcs 2	711541-001	Pcs 3	711568	Pcs 12
											
											
711569	Pcs 1	711588-001	Pcs 1	711613	Pcs 3	711614-001	Pcs 7	711618	Pcs 1	711619	Pcs 1
											
											
900240	Pcs 7	901902	Pcs 2	902270	Pcs 12	903093	Pcs 587	905104	Pcs 220	907688-216	Pcs 2
											
8x70		30.7x60.9x100		Ø5x50		Ø8x90		M10			

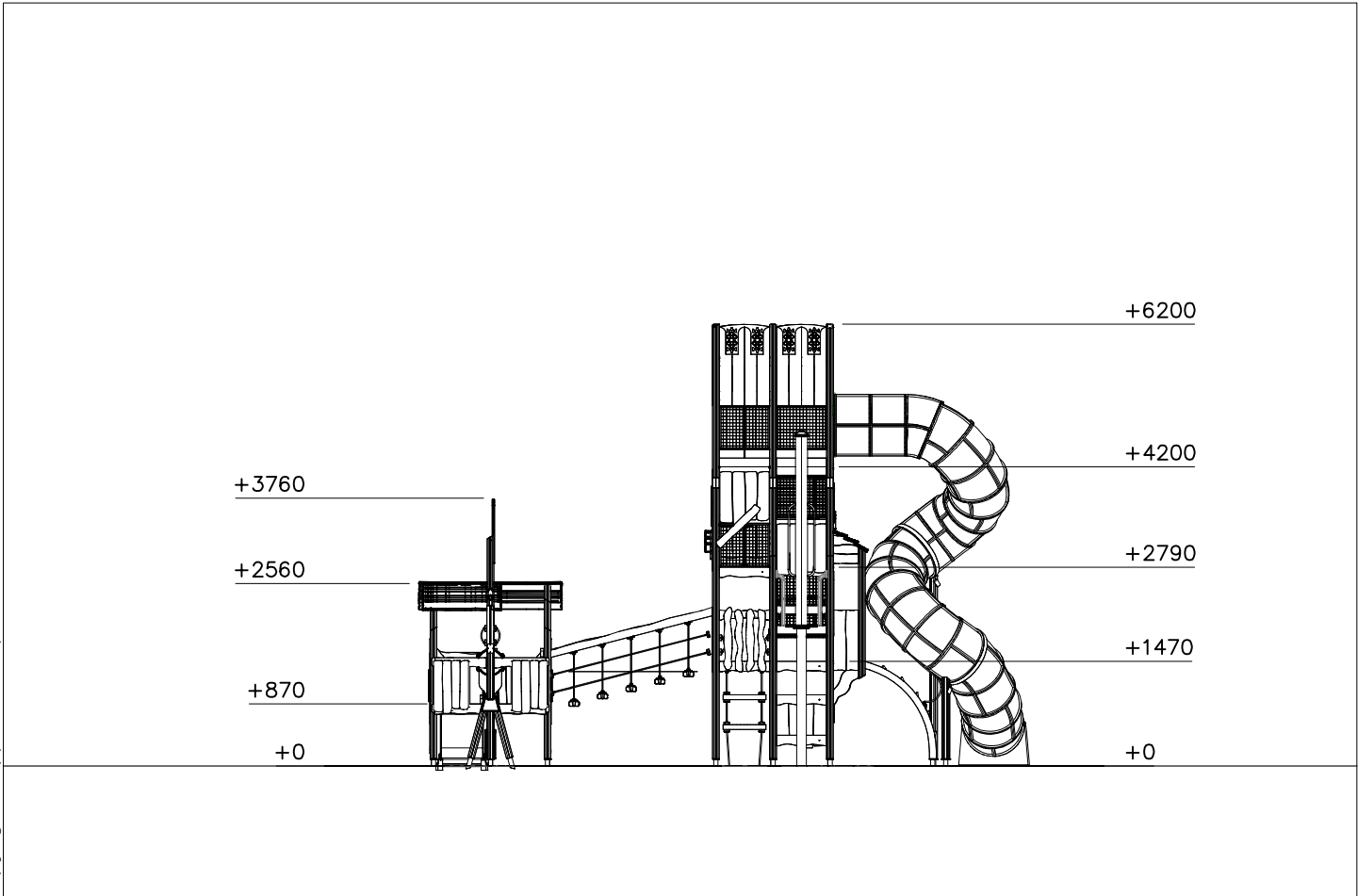
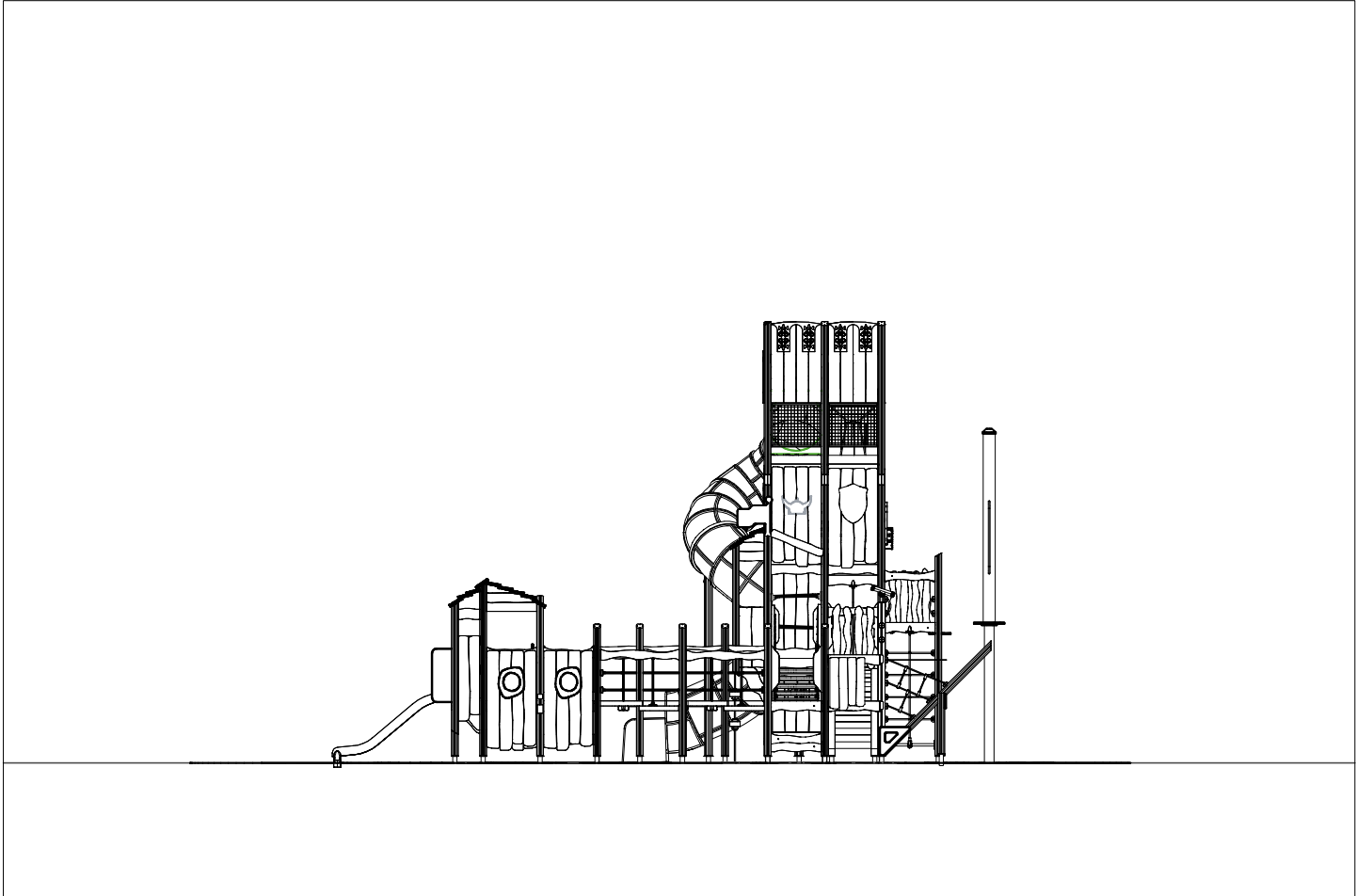
DATE: 17.9.2024

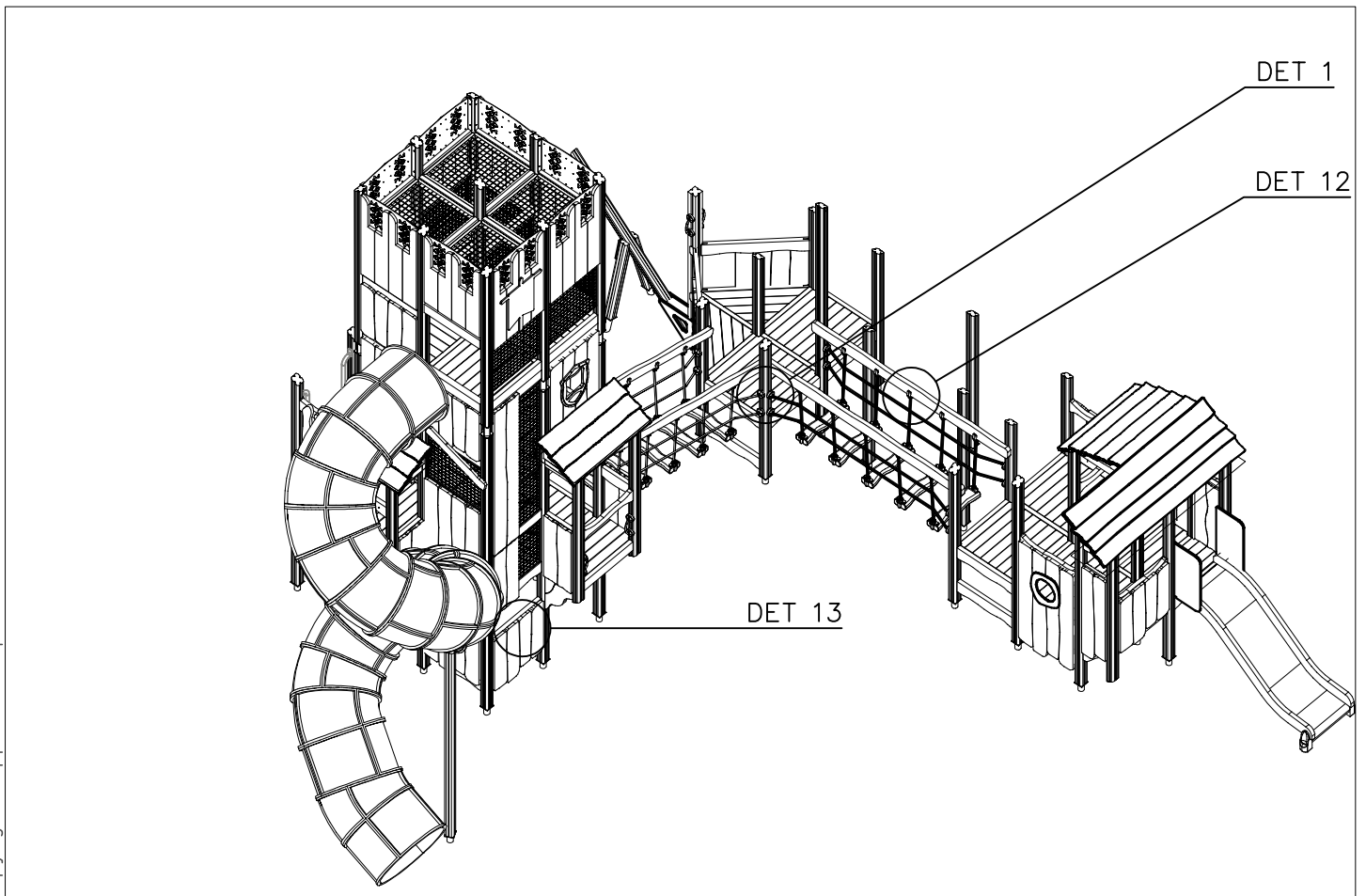
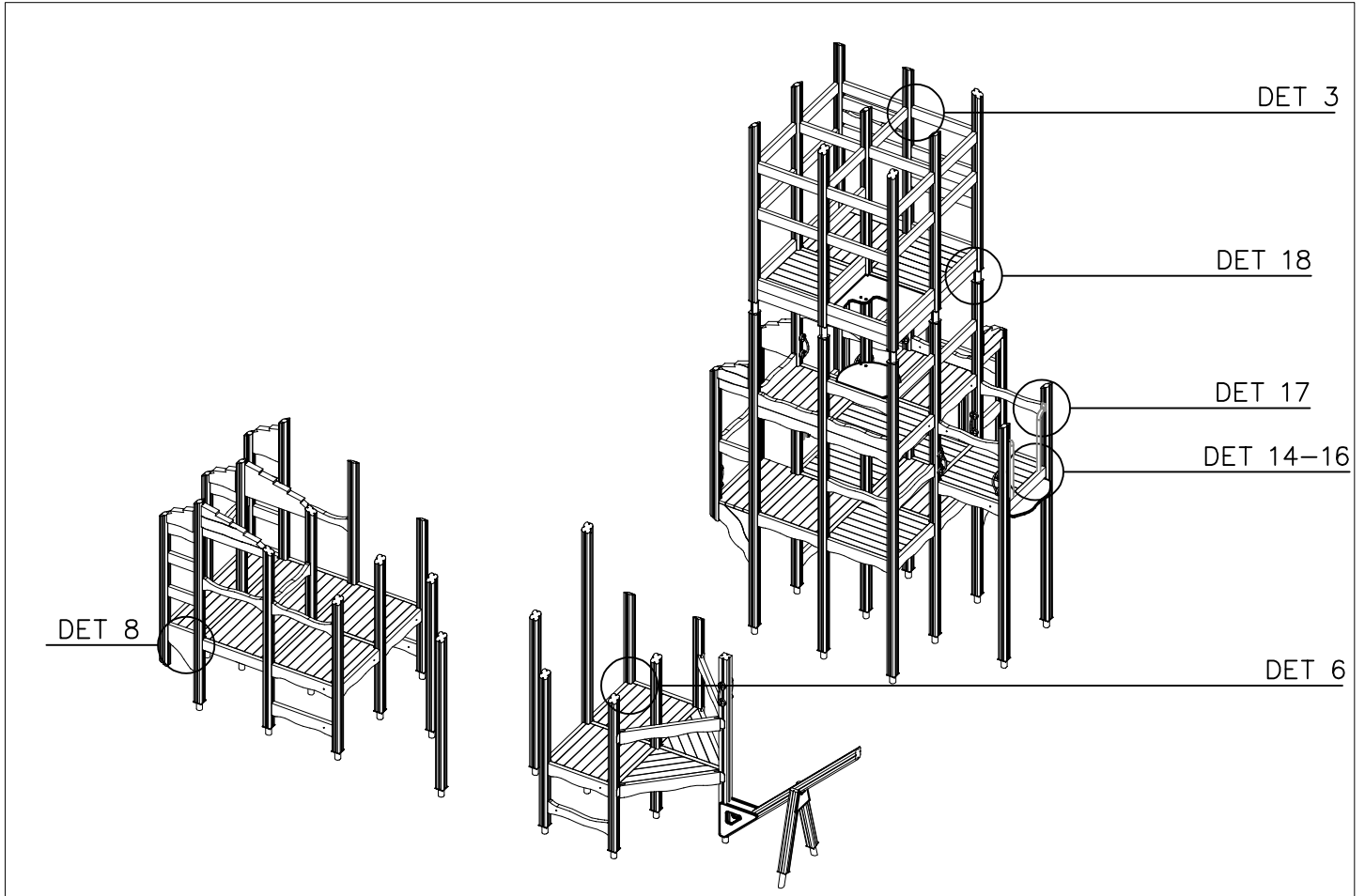
907694-216	PCS 1	909491	PCS 9	909521	PCS 37	910745-216	PCS 4	911405	PCS 1	980100	PCS 75
											
L 704		L 150				751x751x40		12x247x402		5x60	
980101	PCS 8	980106	PCS 5	980114	PCS 8	980128	PCS 48	A10879	PCS 1	P13450	PCS 11
											
Ø4.5x70		Ø5x40		Ø4x20		Ø7x40				28x200x1100	
P13451	PCS 4	P18173	PCS 1		PCS		PCS		PCS		PCS
											
28x200x2000											
	PCS		PCS		PCS		PCS		PCS		PCS
	PCS		PCS		PCS		PCS		PCS		PCS
	PCS		PCS		PCS		PCS		PCS		PCS
	PCS		PCS		PCS		PCS		PCS		PCS

<p>M10 905104</p>	<p>100 S 600</p>	<p>100 Sand 0.2-2 mm/ Gravel 2-8 mm S 580</p>
<p>909519</p>	<p>S 600</p>	<p>S 1000 1370 (3x) Ø8 rebar rings Concrete 500x500x1000</p>
<p>Ø7x40 901879 Hox! Slide sheet gap Liukupelti rako.</p>	<p>M12x40 Ø24/13</p>	

- EN/AS Impact Area 83.2 m²
- - - Falling Space 83.5 m²
Max Falling Height 1970 mm

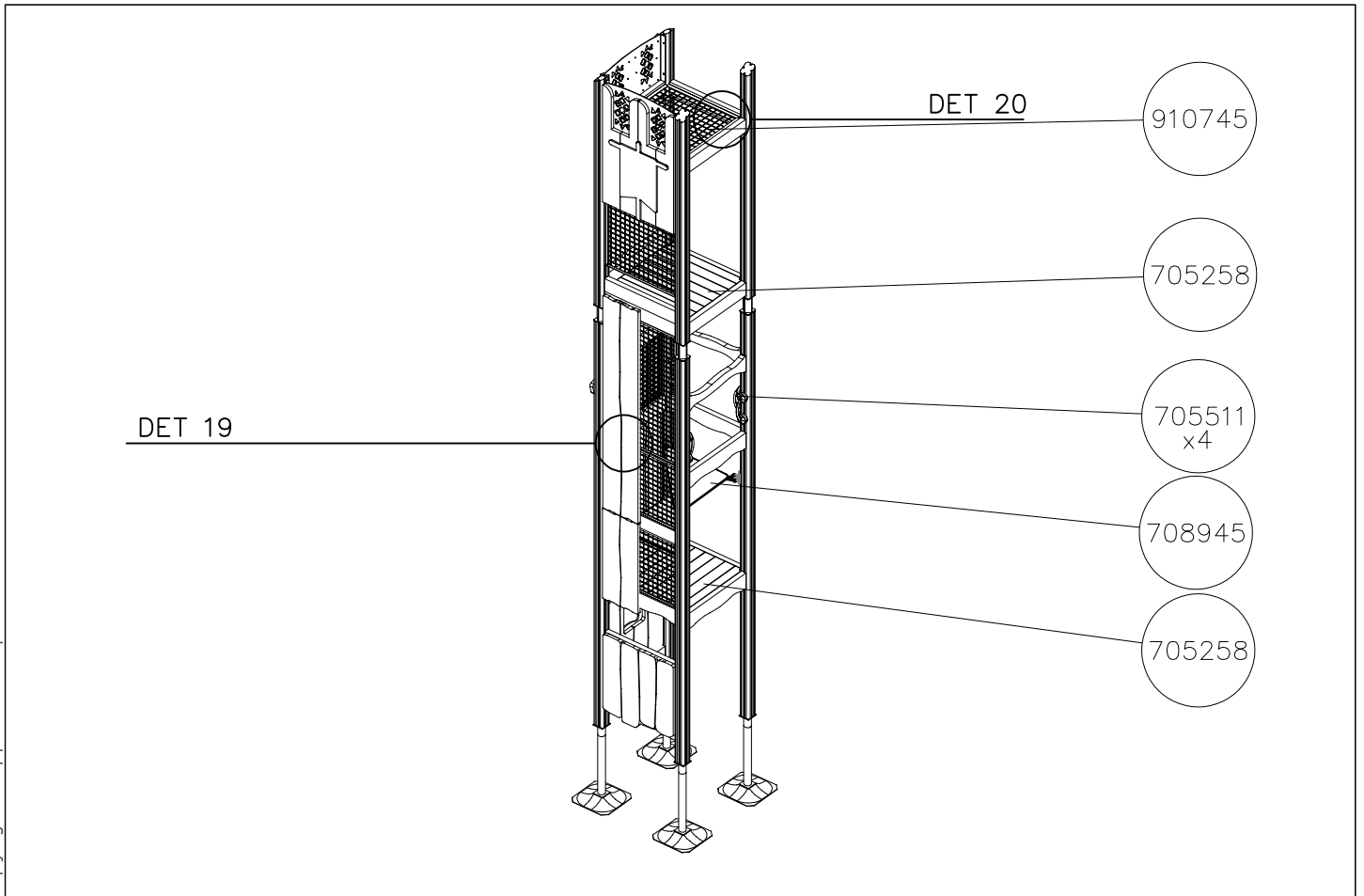
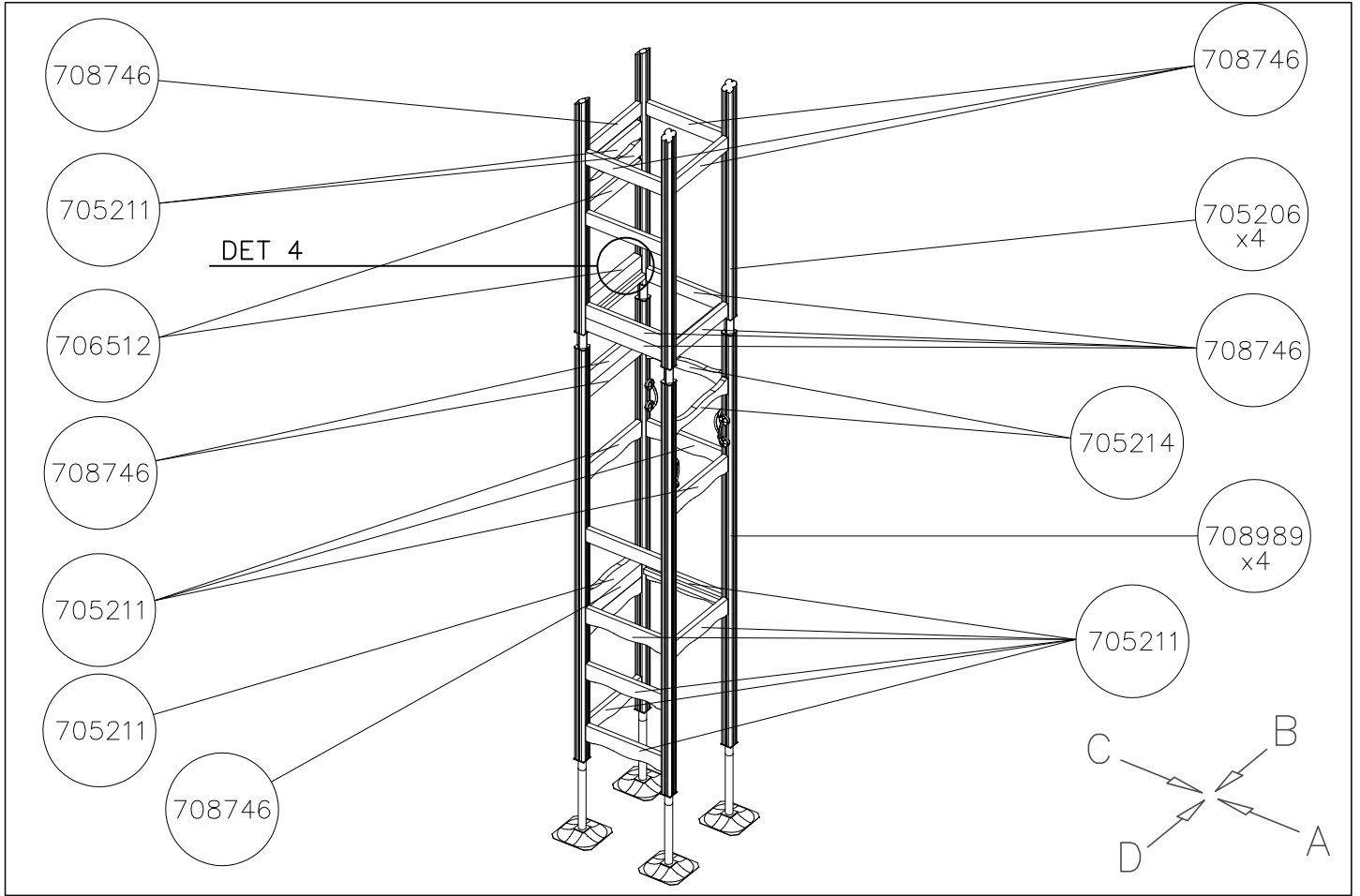






<p>DET 1</p> <p>8x70</p>	<p>DET 2</p> <p>NOTE: Walls contain floor beam 705211. HUOM: Seinät sisältävät lattia puomin 705211.</p>	<p>DET 3</p> <p>Ø8x90 (903093)</p>	<p>DET 4</p> <p>Ø8x90 (903093)</p>
<p>DET 5</p> <p>400</p> <p>Ø8x70 900240</p>	<p>DET 6</p> <p>4.5x70</p>	<p>DET 7</p> <p>PRE DRILL Ø5mm</p> <p>Ø5x50</p>	<p>DET 8</p> <p>Ø8x90 903093</p>
<p>DET 9</p> <p>710084 710087 710083 710082 710086</p>	<p>DET 10</p> <p>Ø8x70 (900240)</p>	<p>DET 11</p> <p>45°</p> <p>840</p>	<p>DET 12</p> <p>Ø7x40 (980128)</p> <p>Ø7x60 (980123)</p>
<p>DET 13</p> <p>Ø5x60</p>	<p>DET 14</p> <p>100</p> <p>Pre-drill hole. Ø6x60</p>	<p>DET 15</p> <p>M10x80 (900727)</p>	<p>DET 16</p> <p>25</p>
<p>DET 17</p> <p>PRE-DRILL HOLE. Ø5x40</p> <p>Ø8x70 (900240)</p>	<p>DET 18</p> <p>905104 909491</p>	<p>DET 19</p> <p>7x40 Ø16/8.4</p>	<p>DET 20</p> <p>7x40</p>

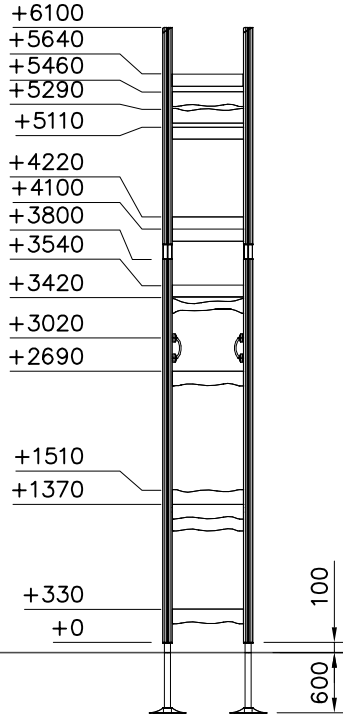
DATE: 13.9.2024



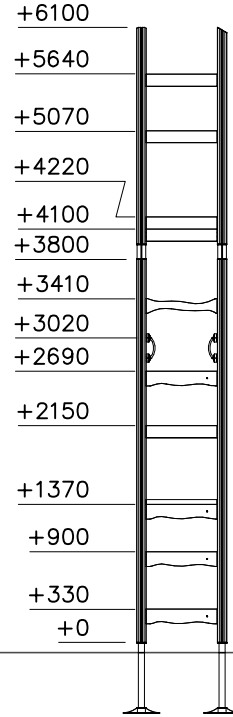
DATE: 13.9.2024

1:50

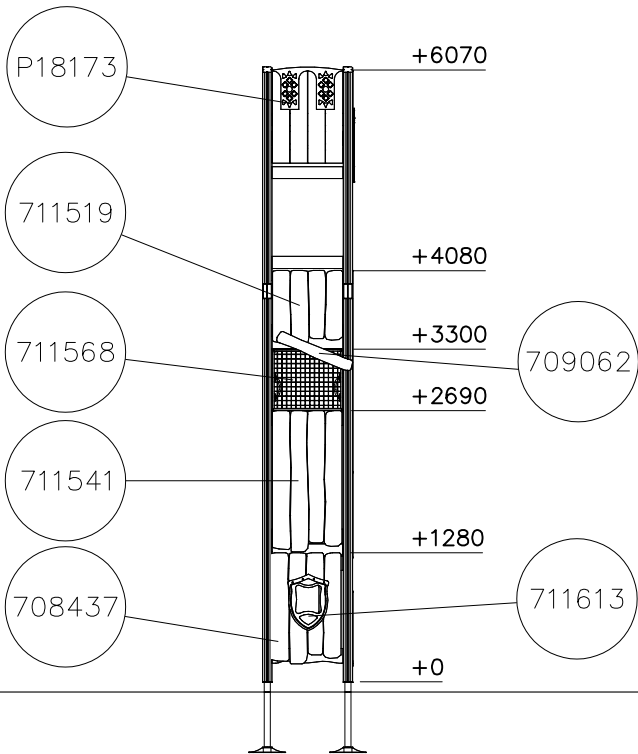
(A)



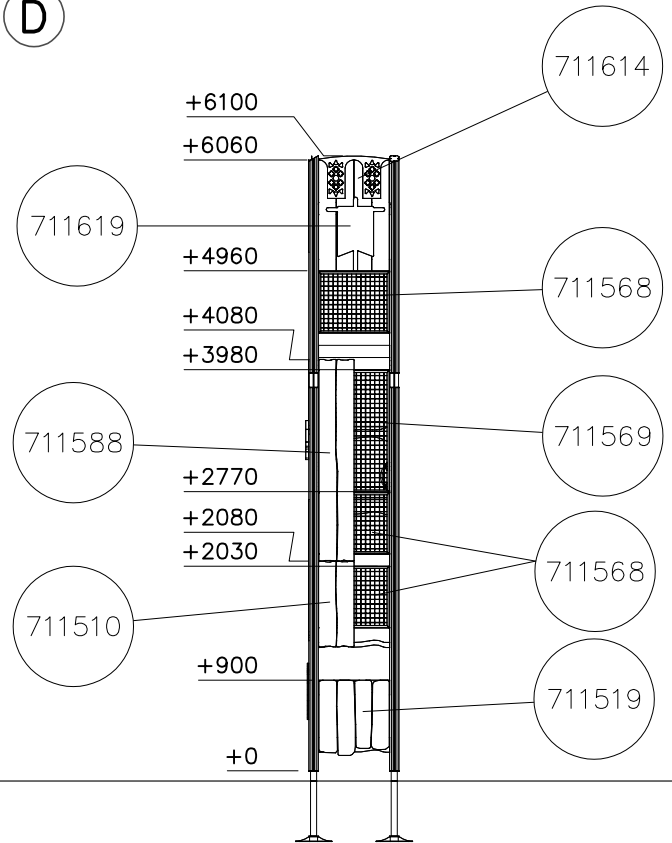
(B)

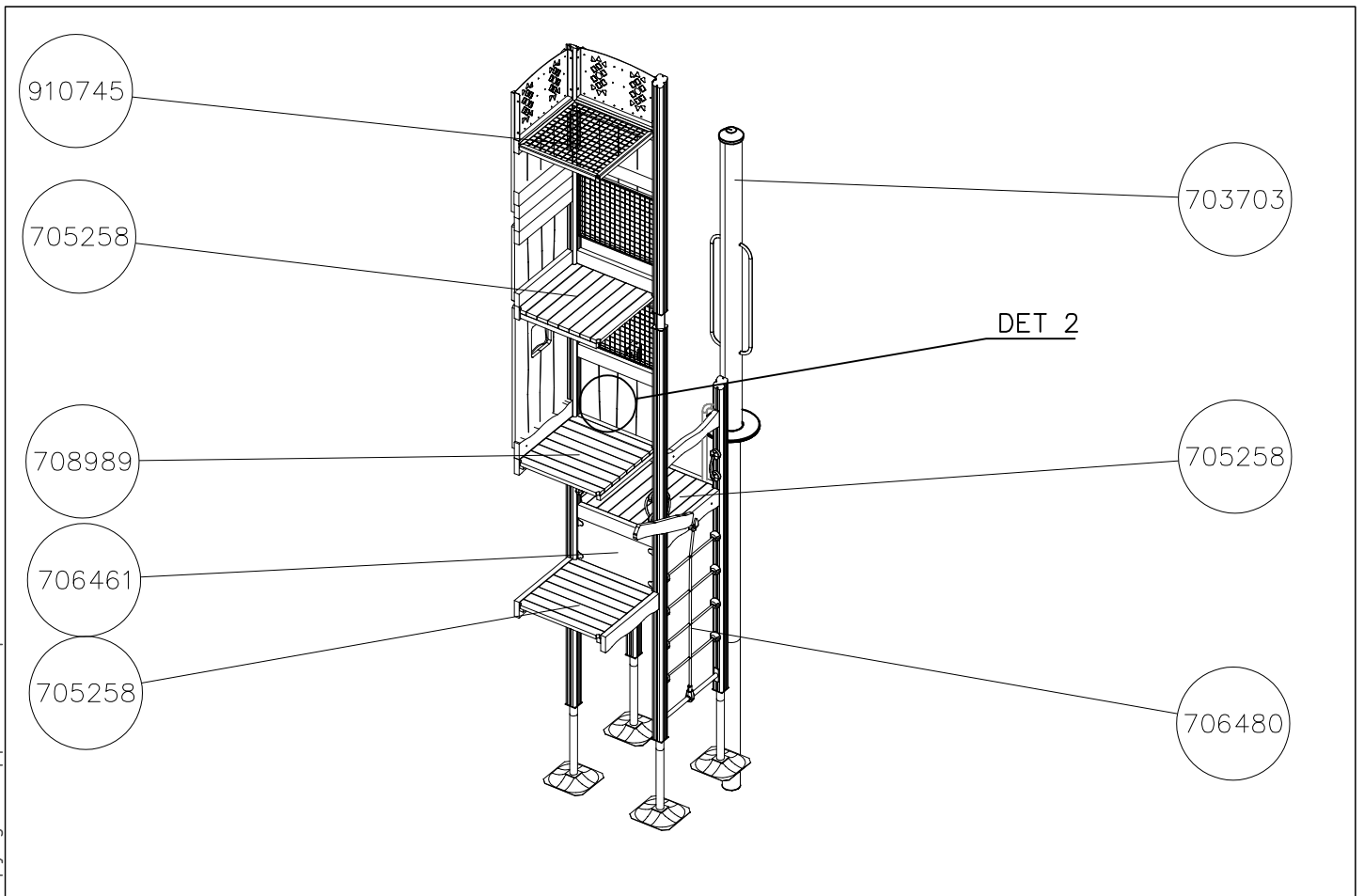
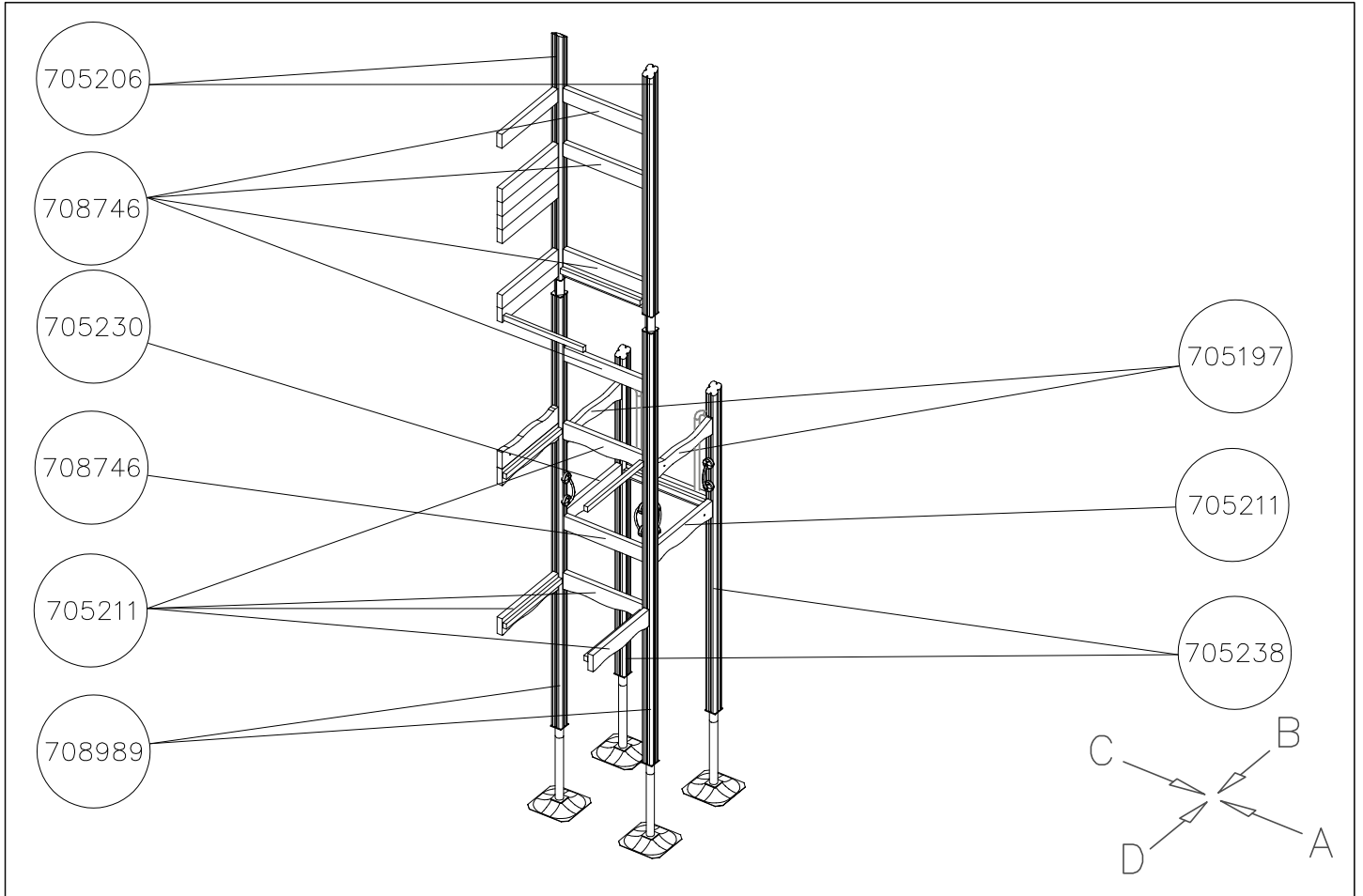


(C)



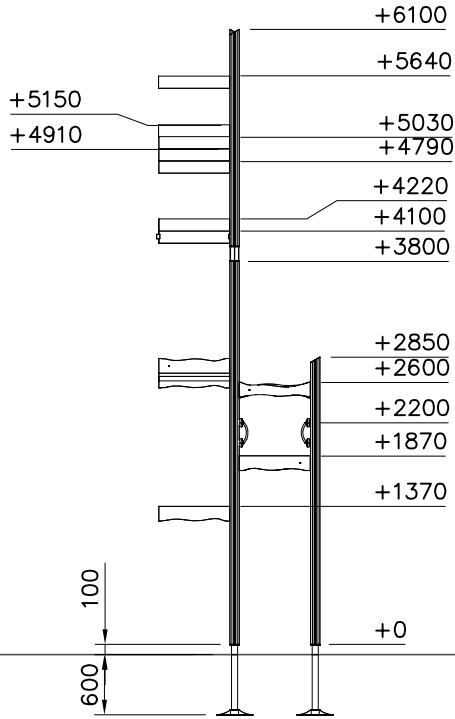
(D)



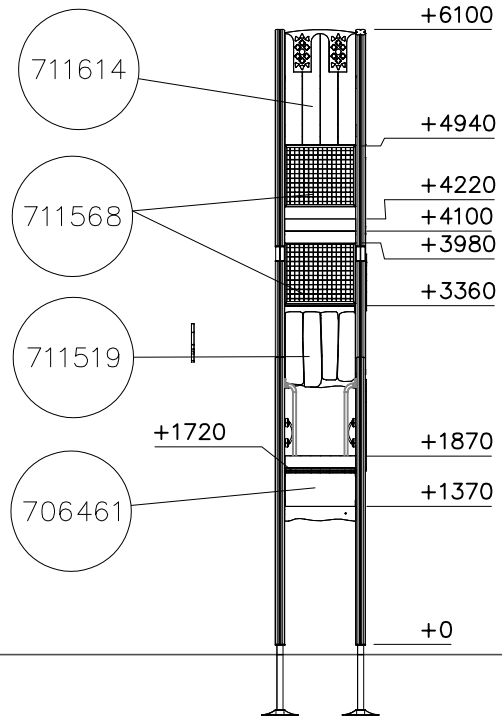


1:50

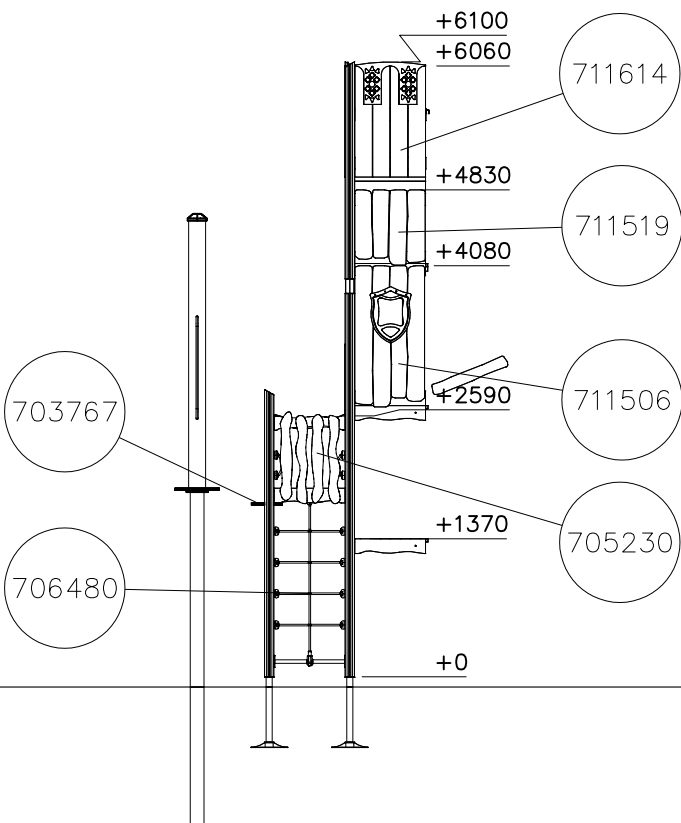
(A)



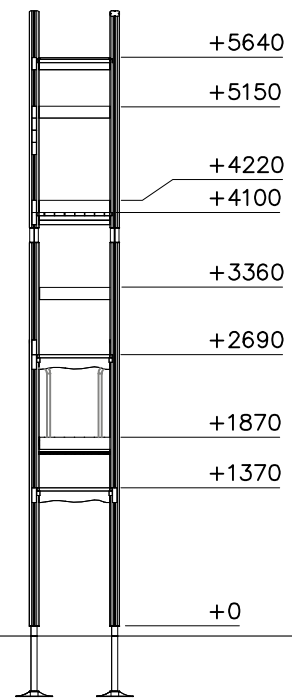
(B)

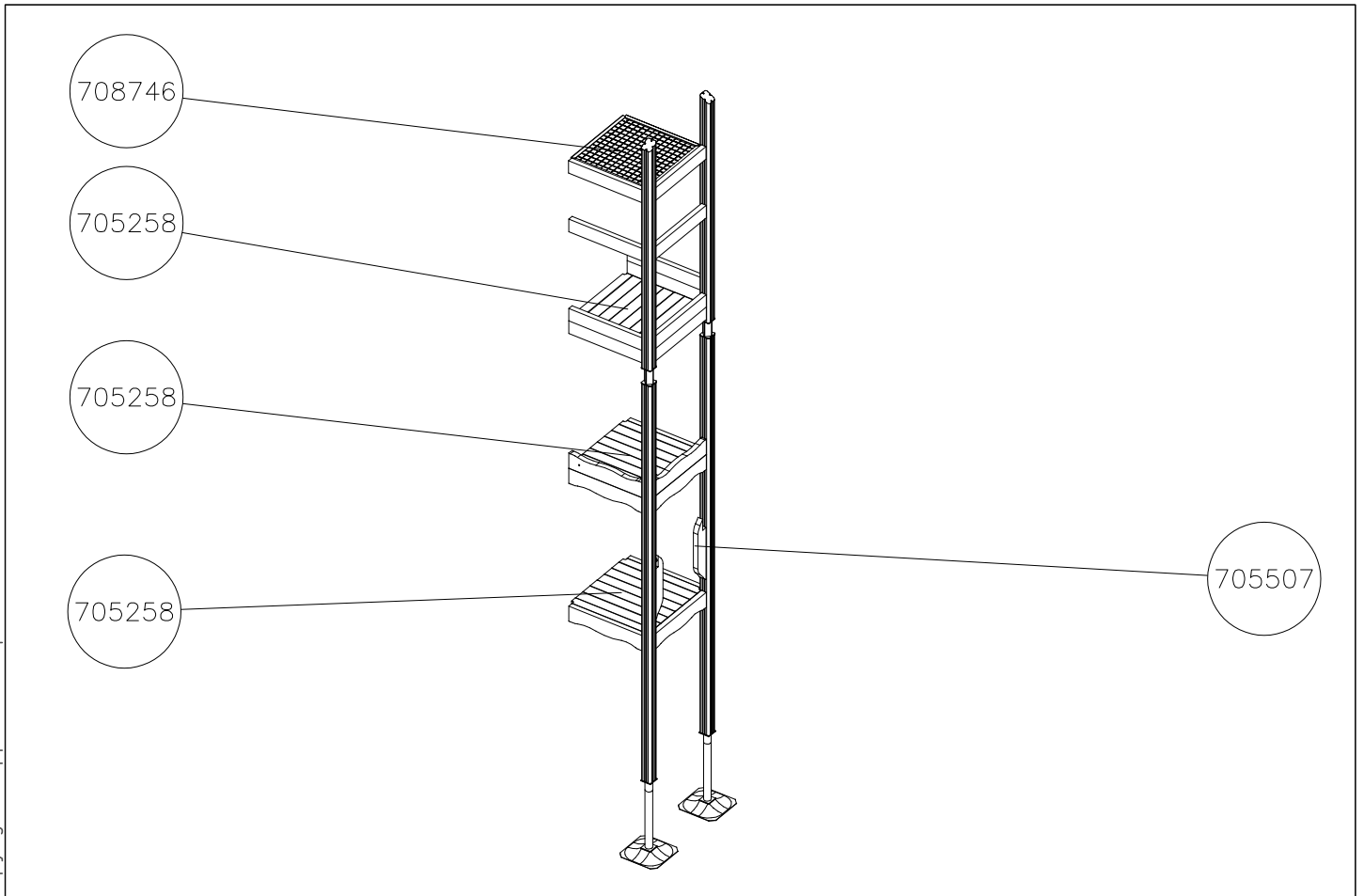
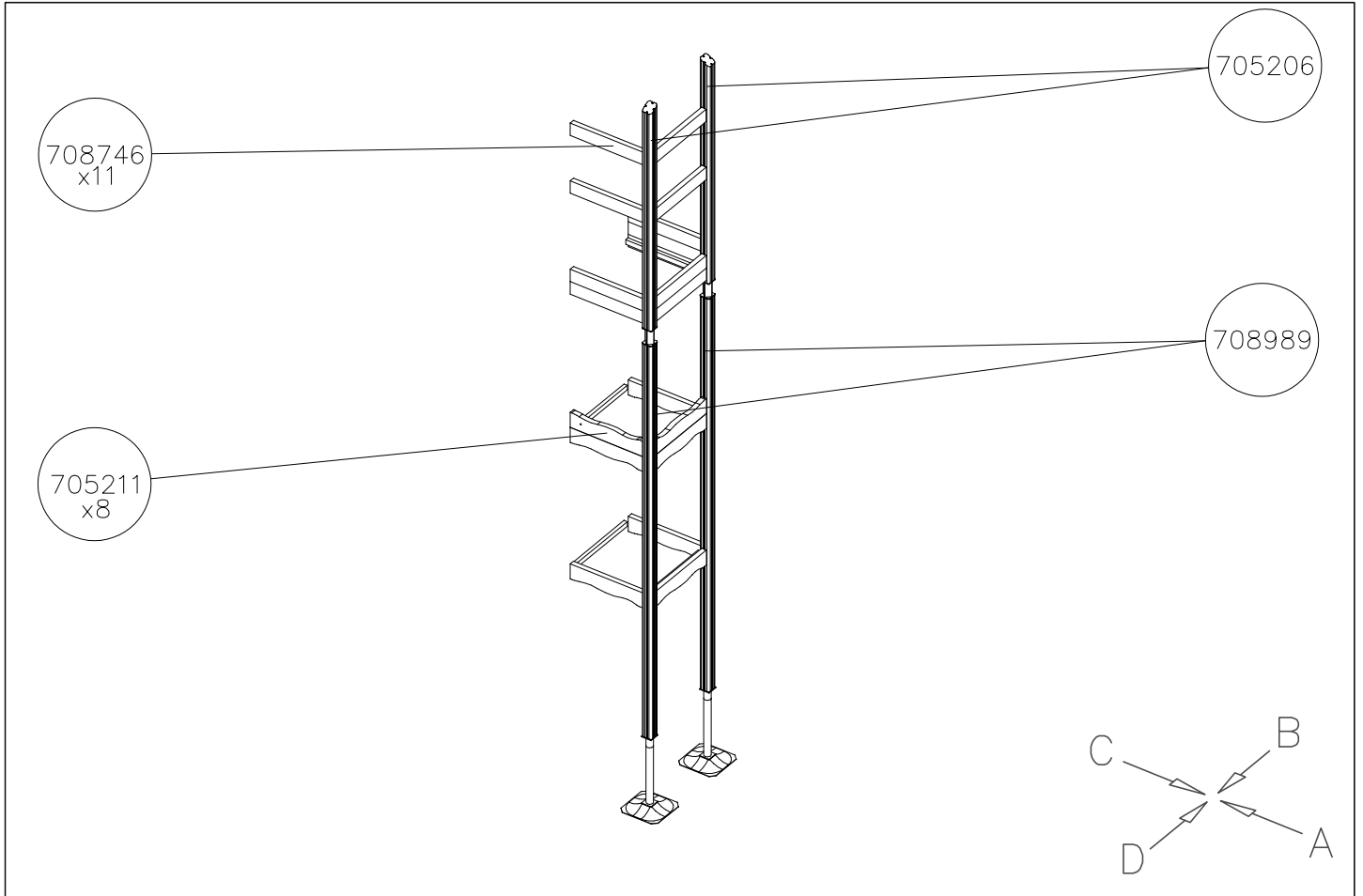


(C)

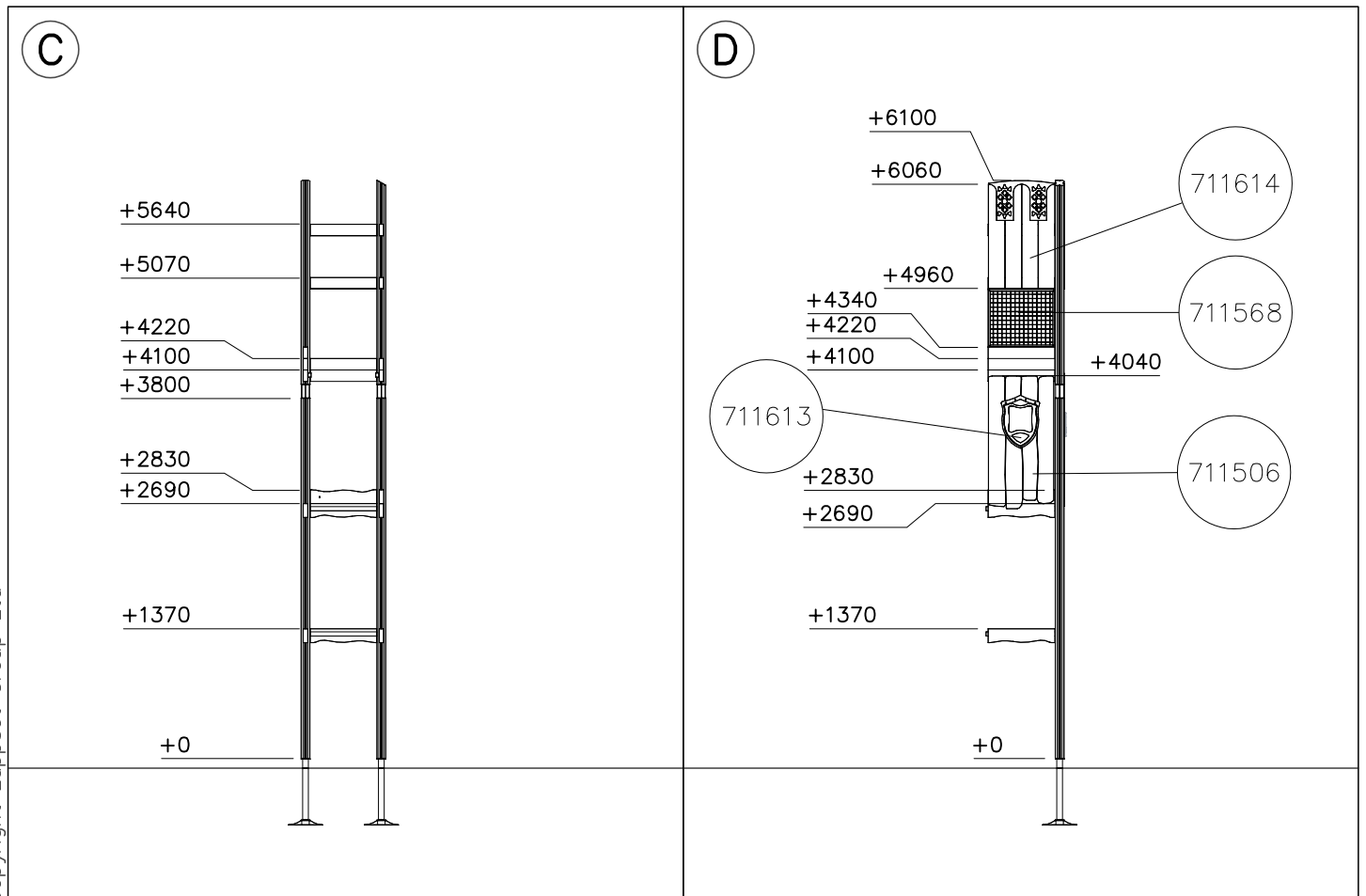
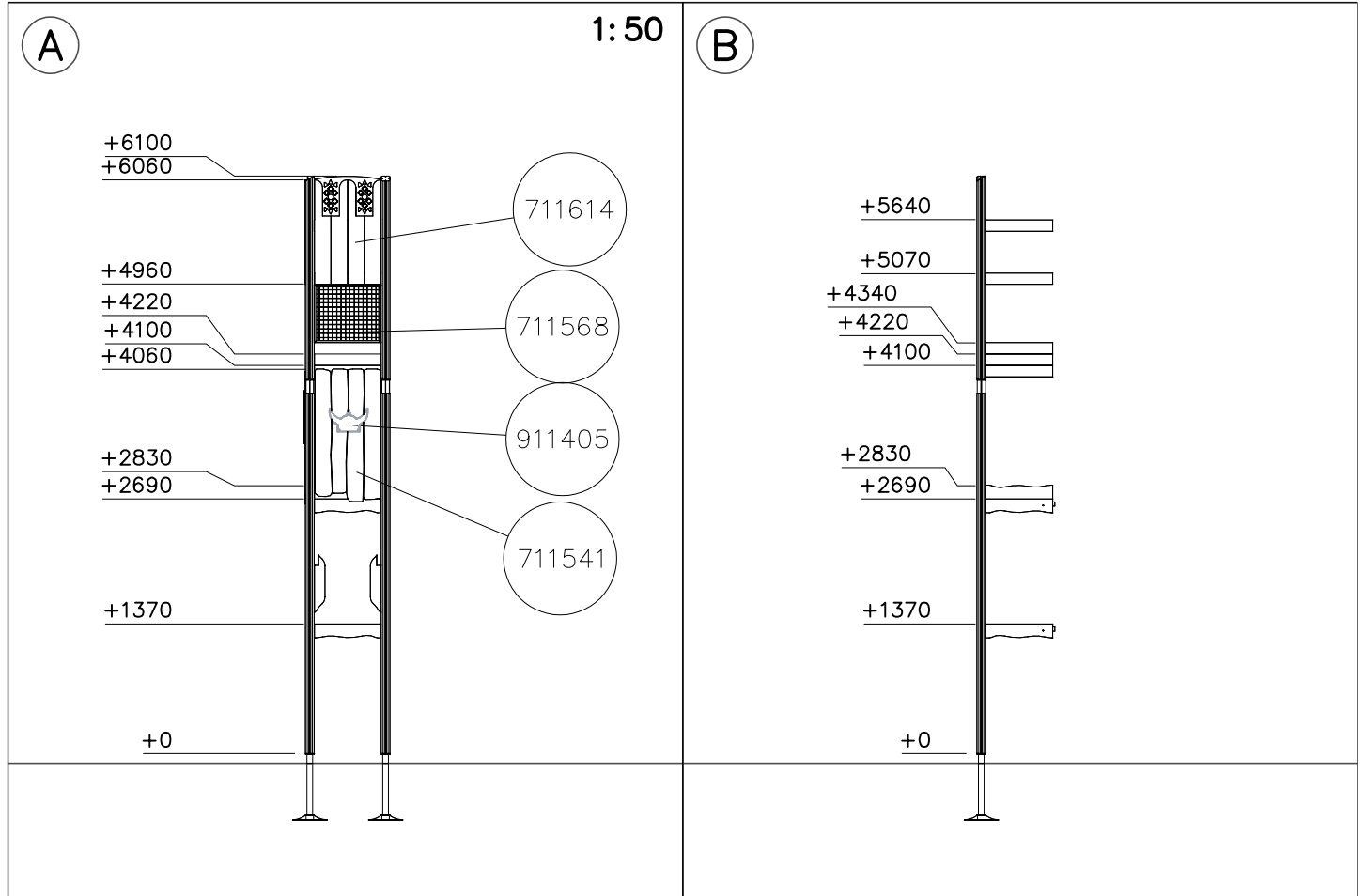


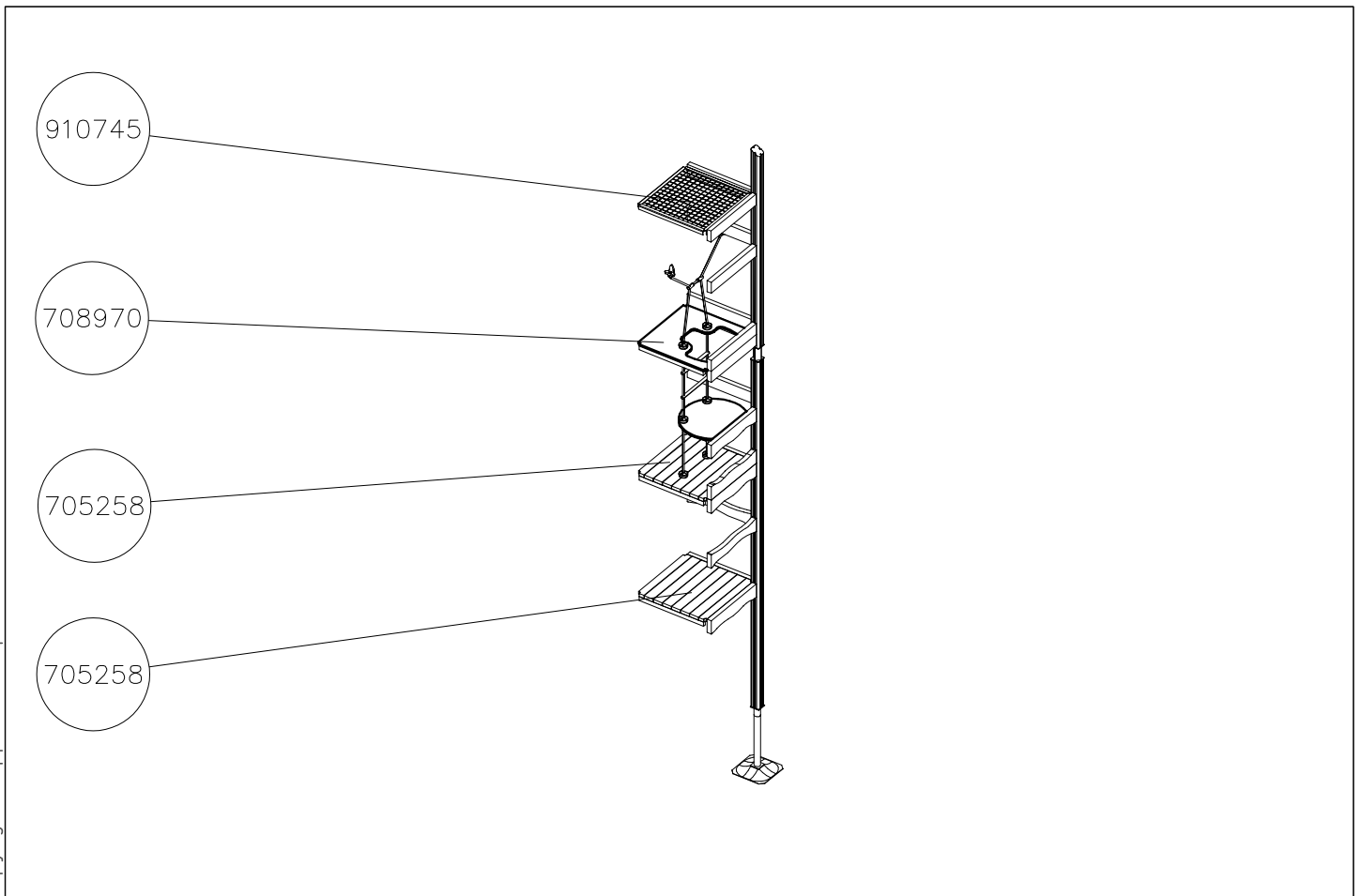
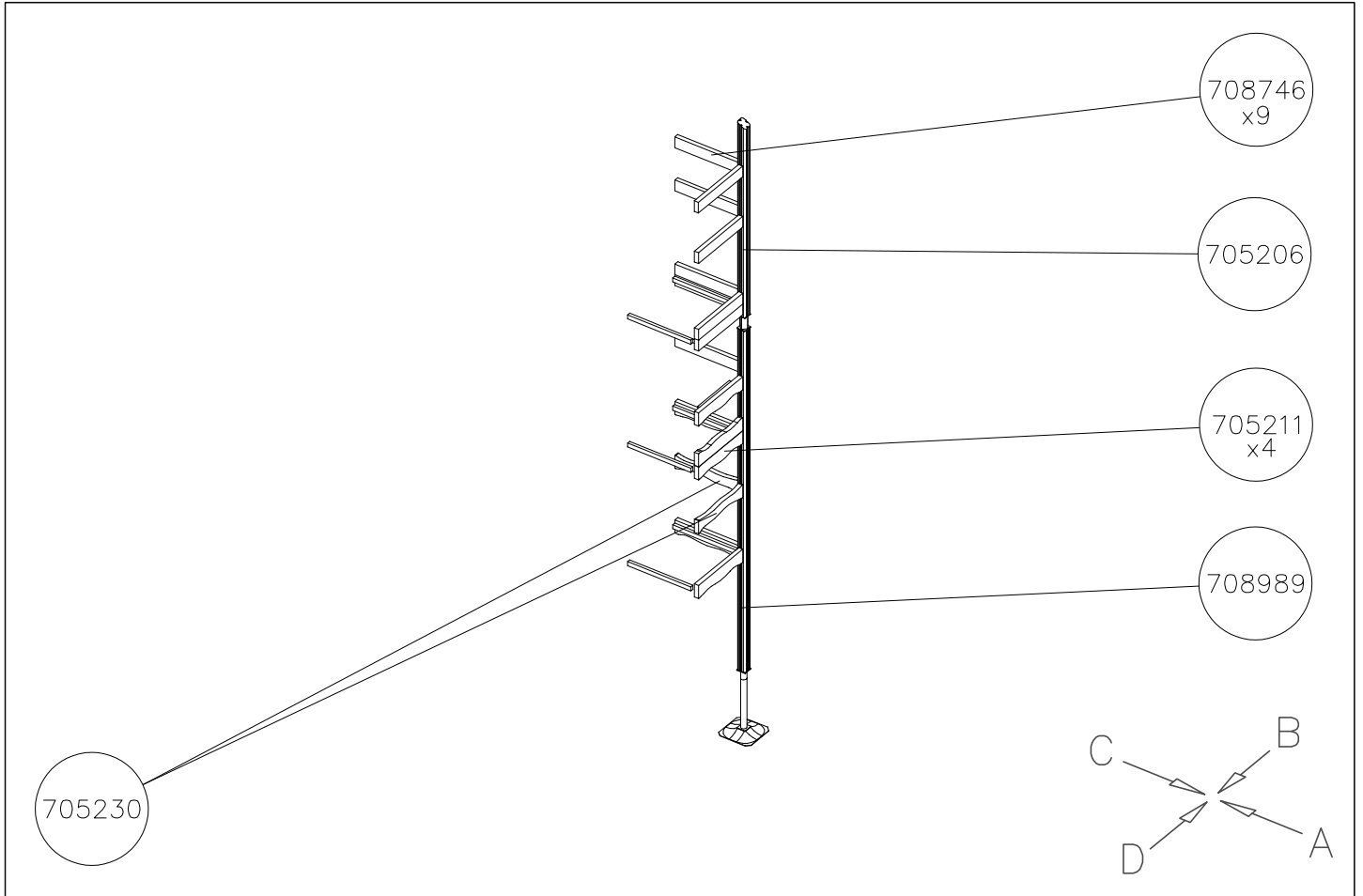
(D)





DATE: 13.9.2024

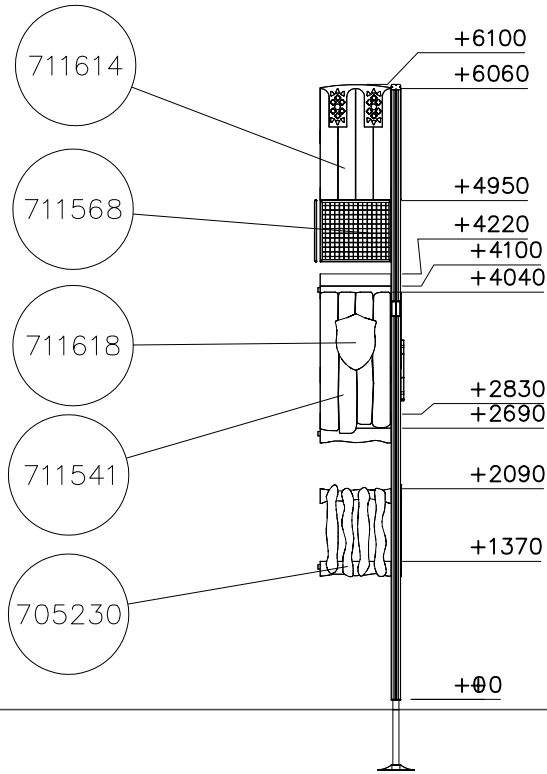




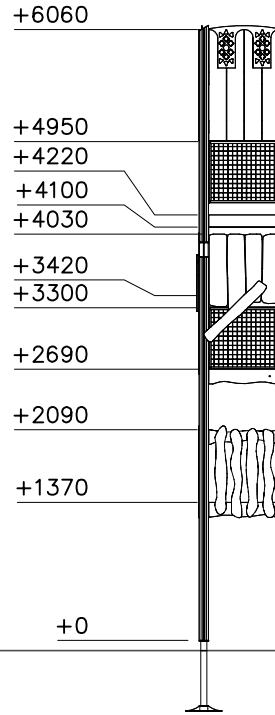
DATE: 13.9.2024

1:50

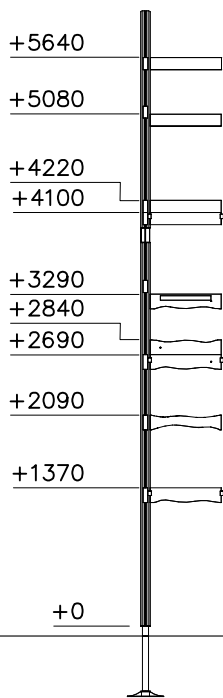
(A)



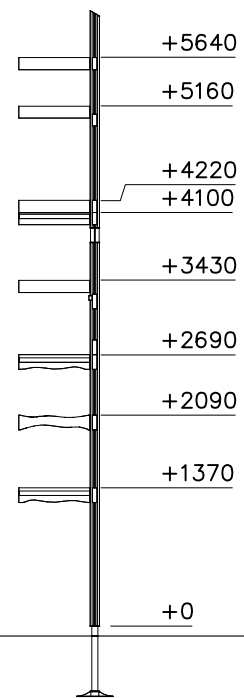
(B)

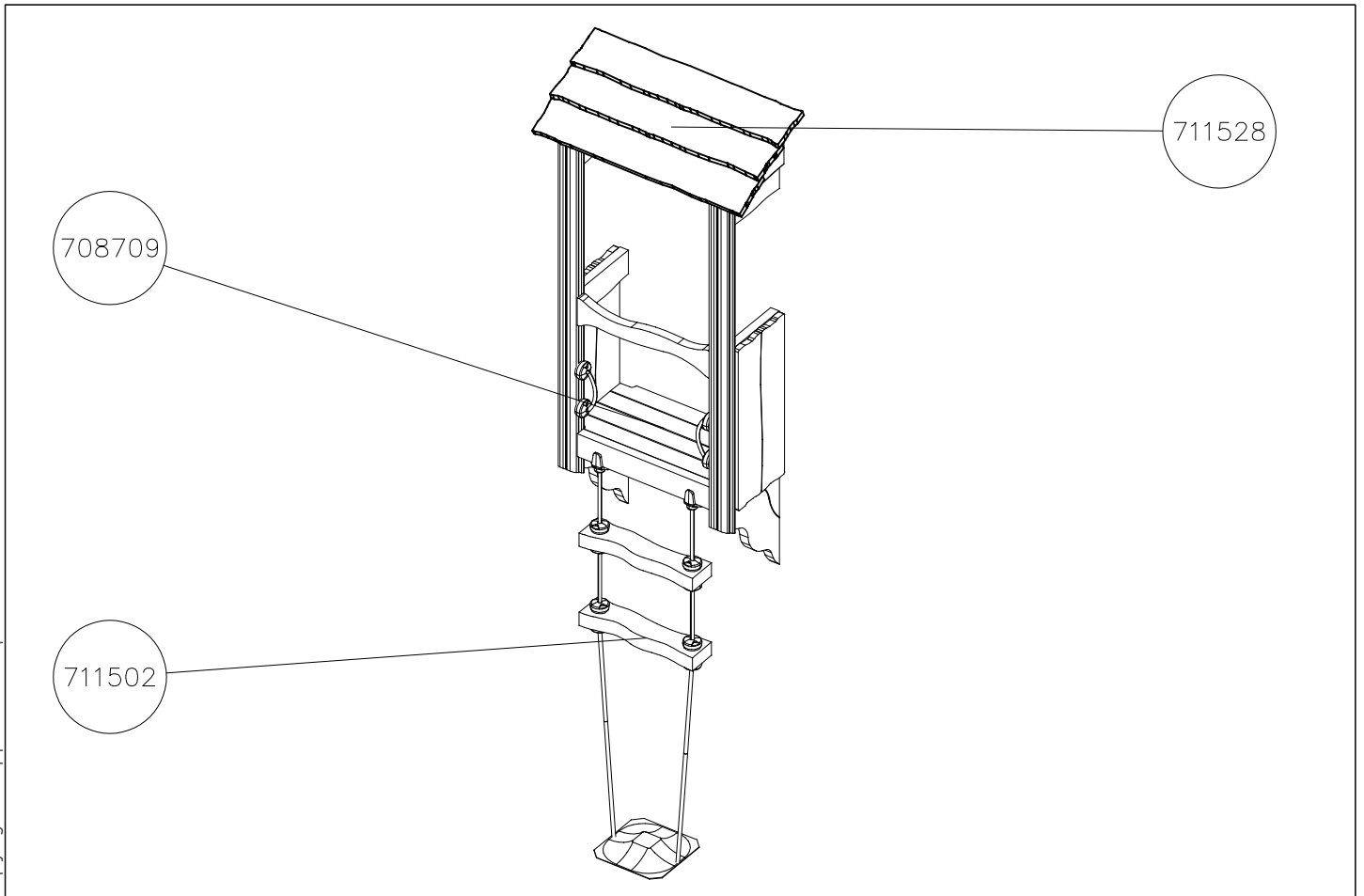
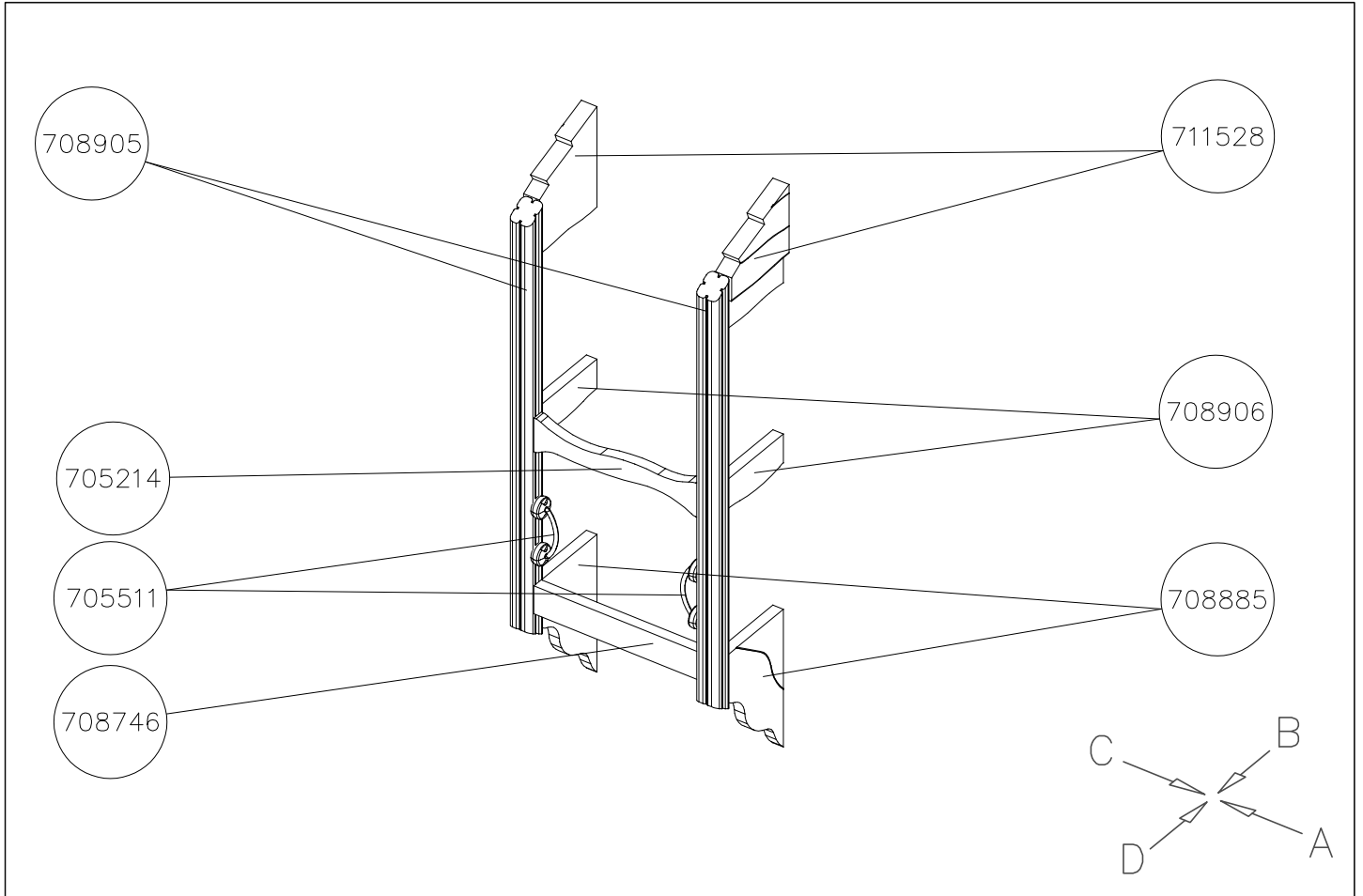


(C)



(D)

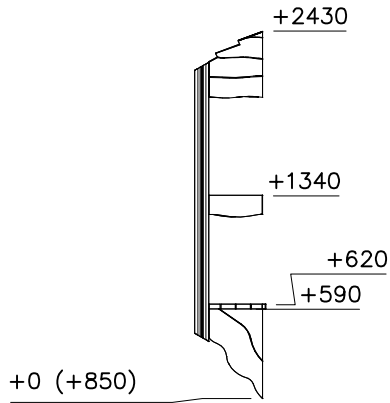




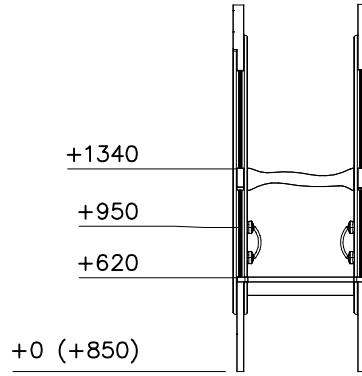
DATE: 13.9.2024

1:50

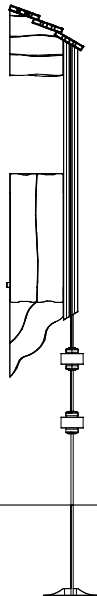
A



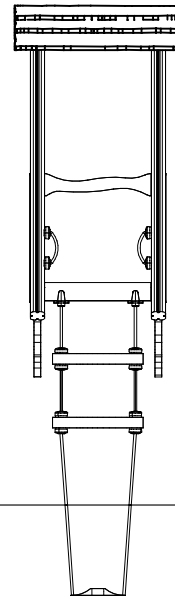
B



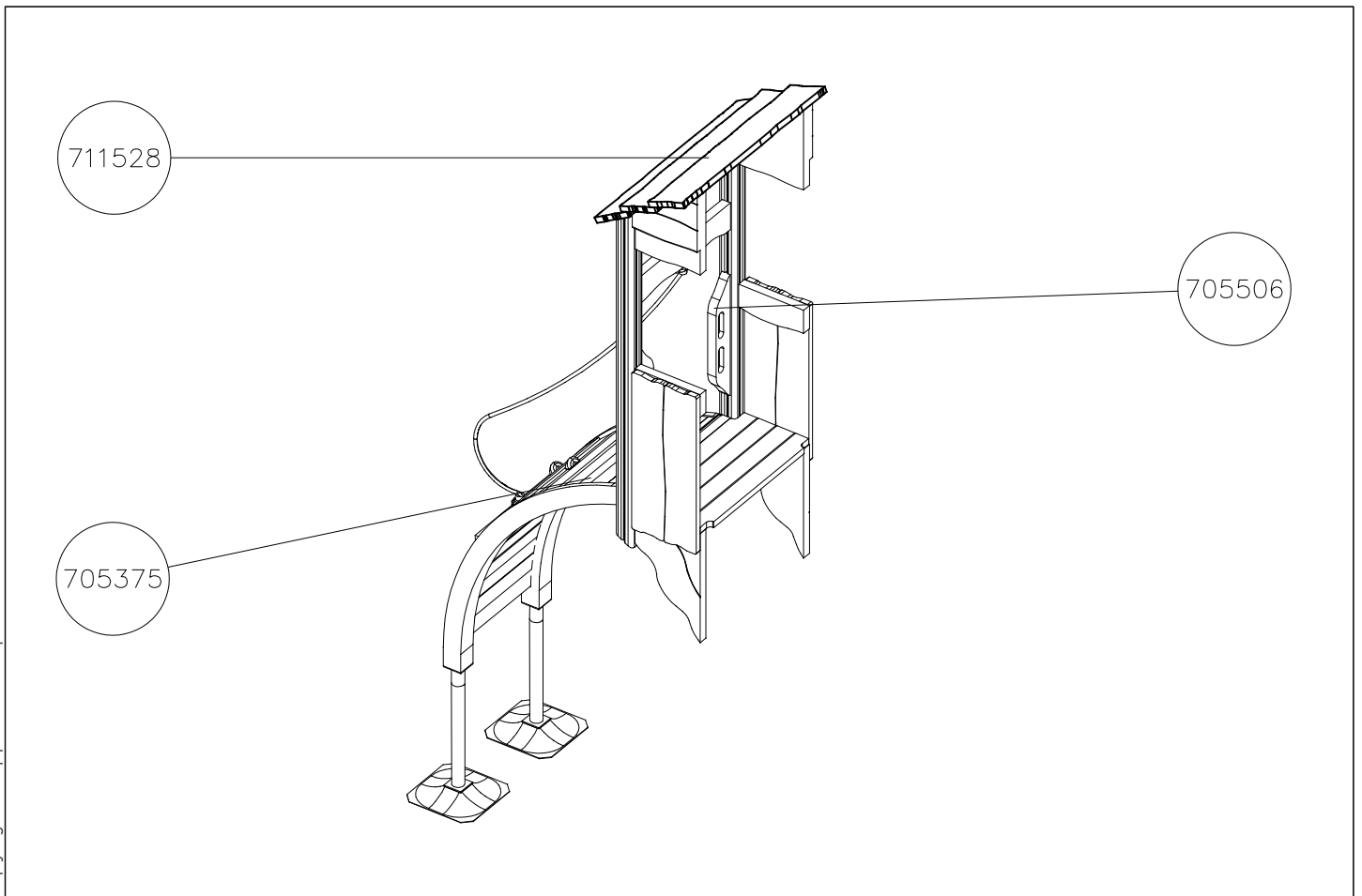
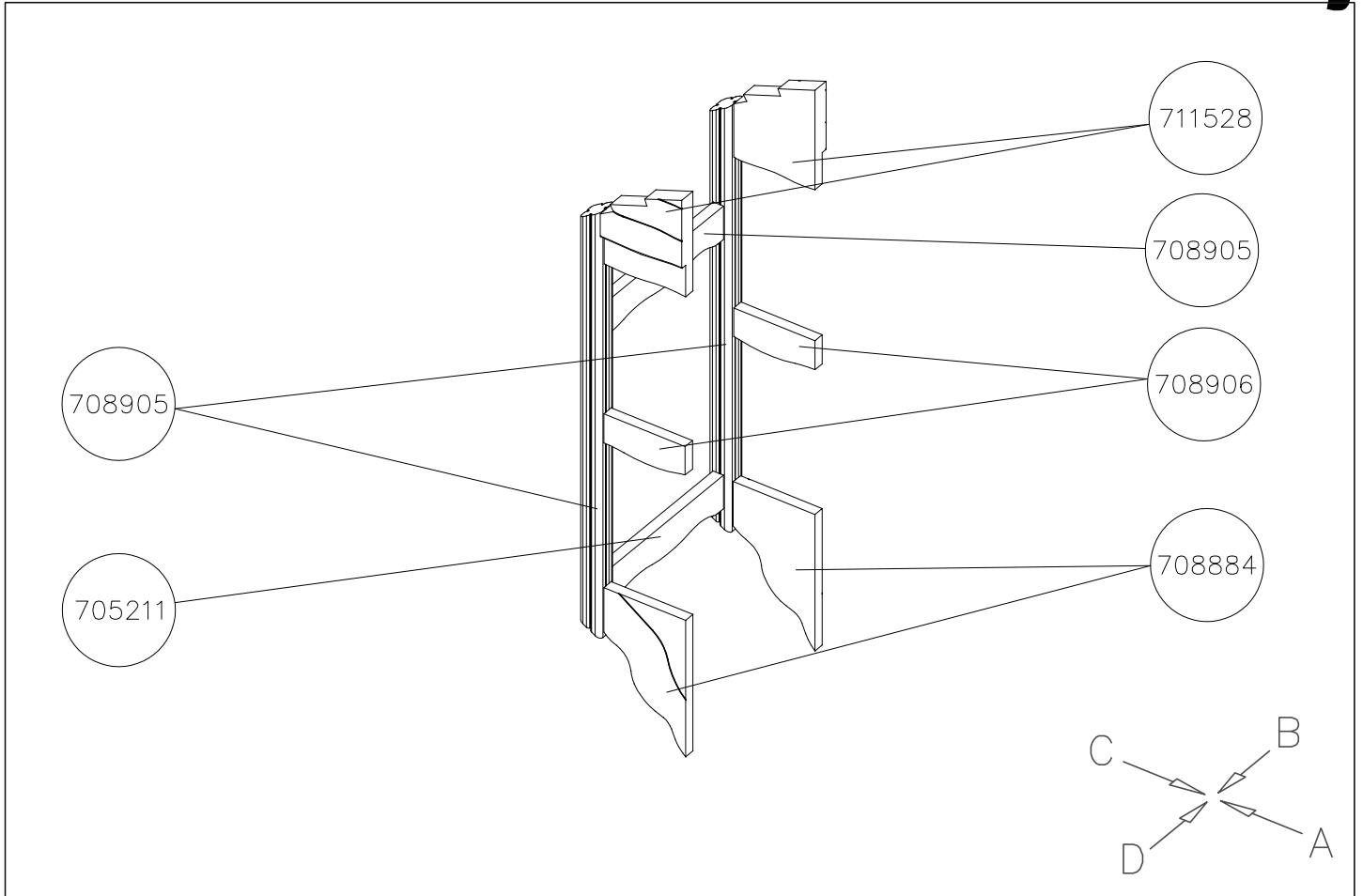
C



D



DATE: 13.9.2024

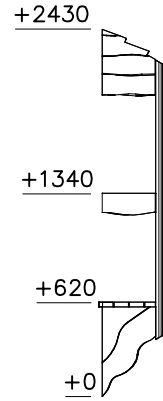
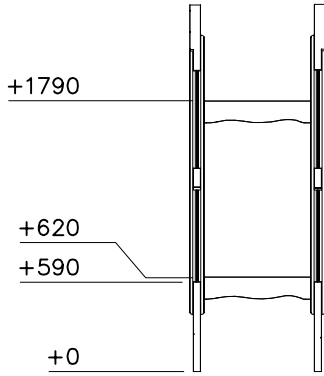


DATE: 13.9.2024

1:50

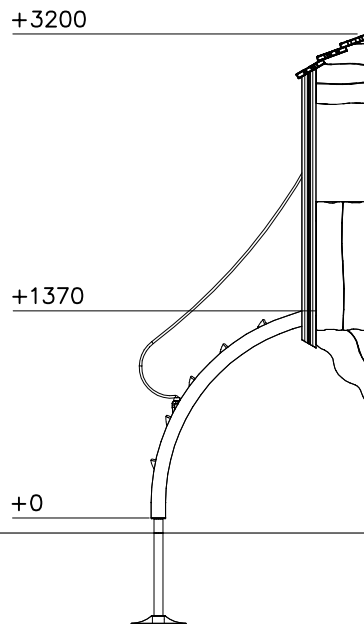
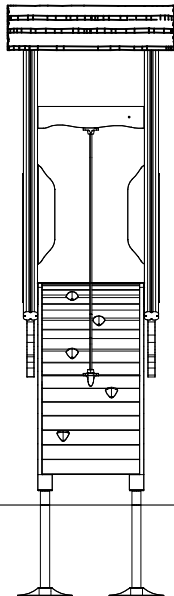
(B)

(A)



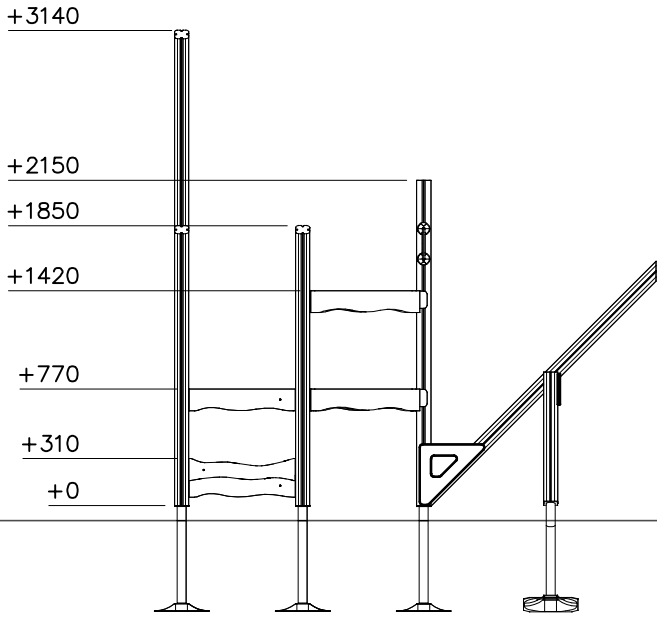
(D)

(C)

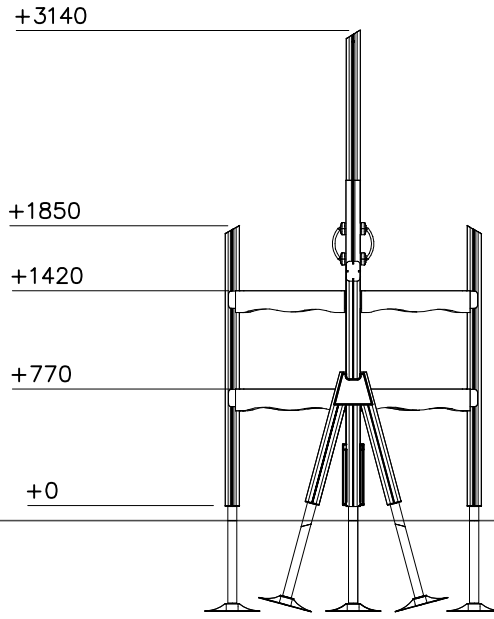


1:50

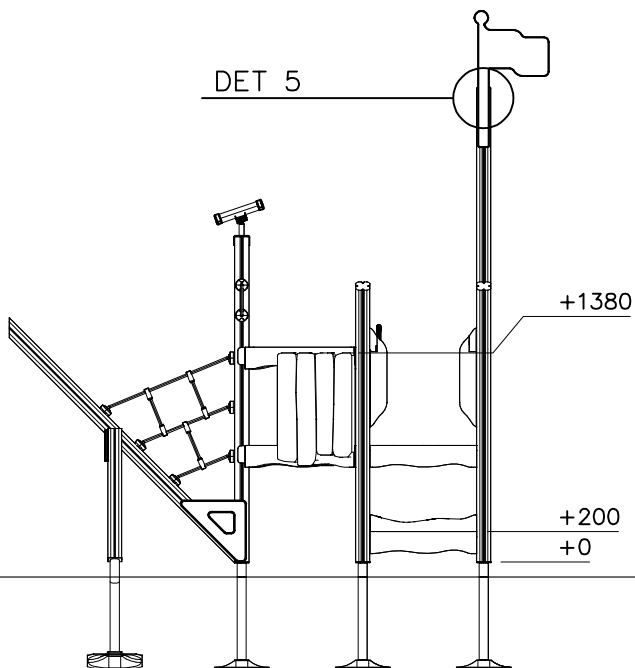
(A)



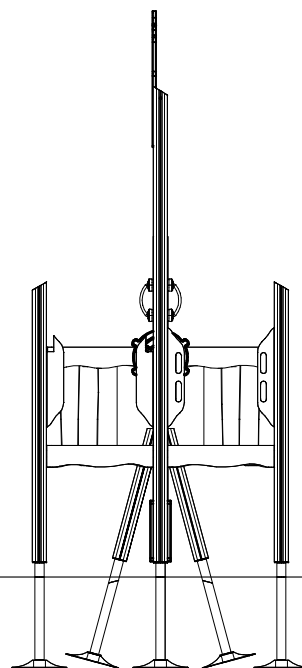
(B)

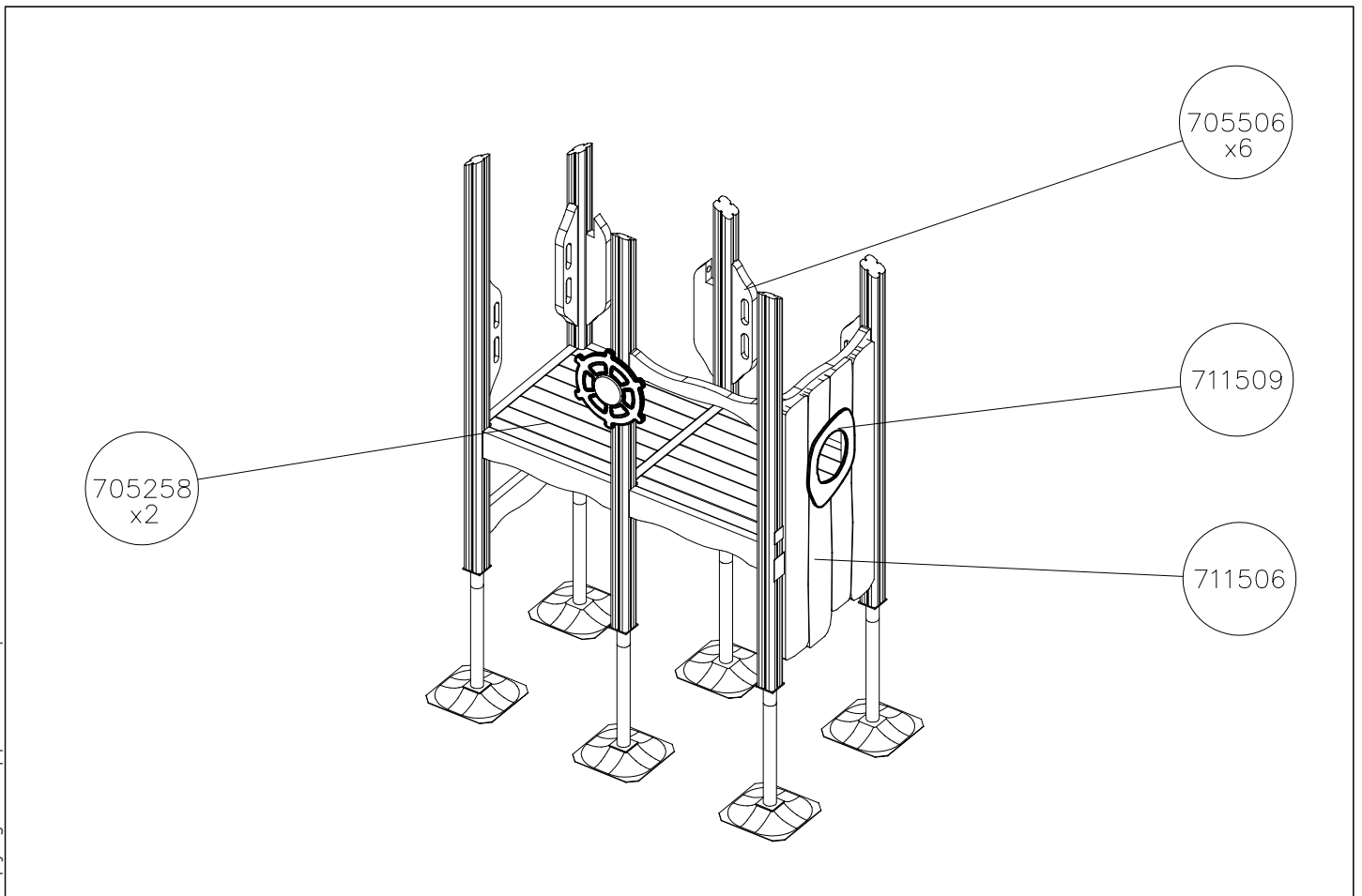
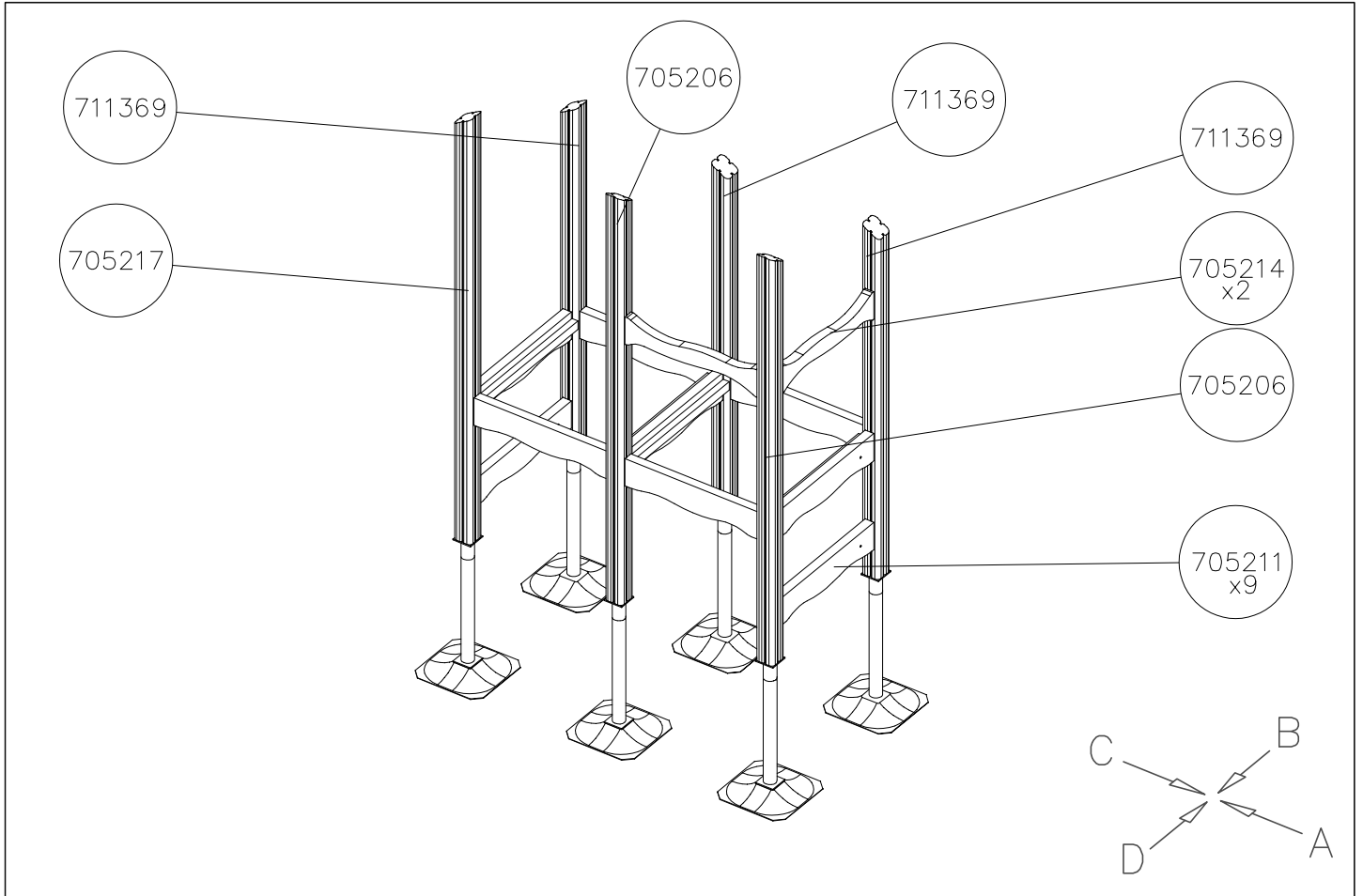


(C)



(D)

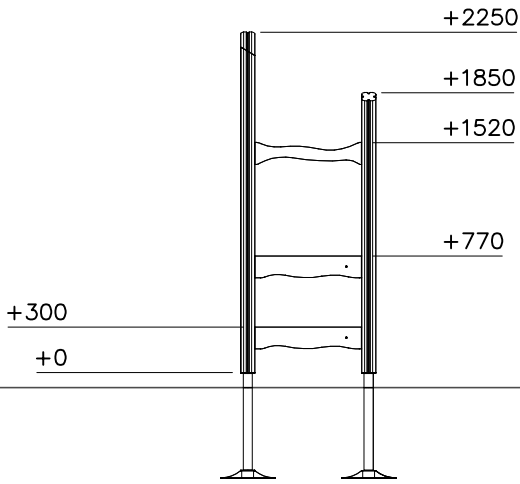




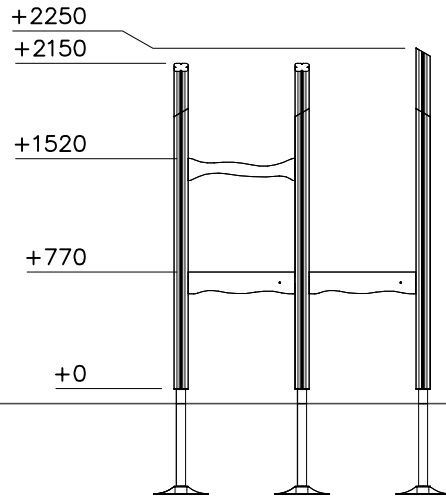
DATE: 13.9.2024

1:50

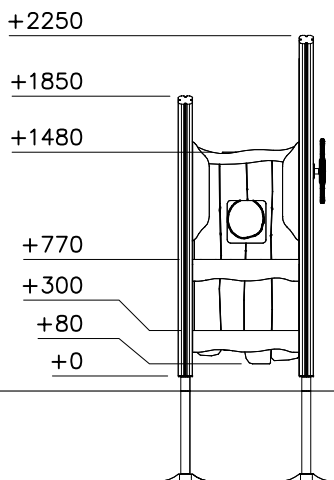
A



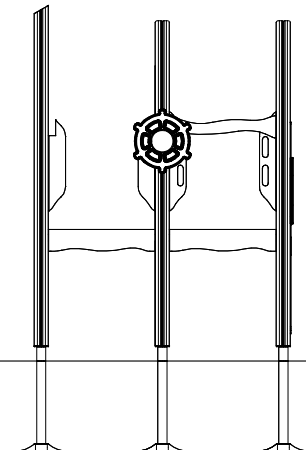
B



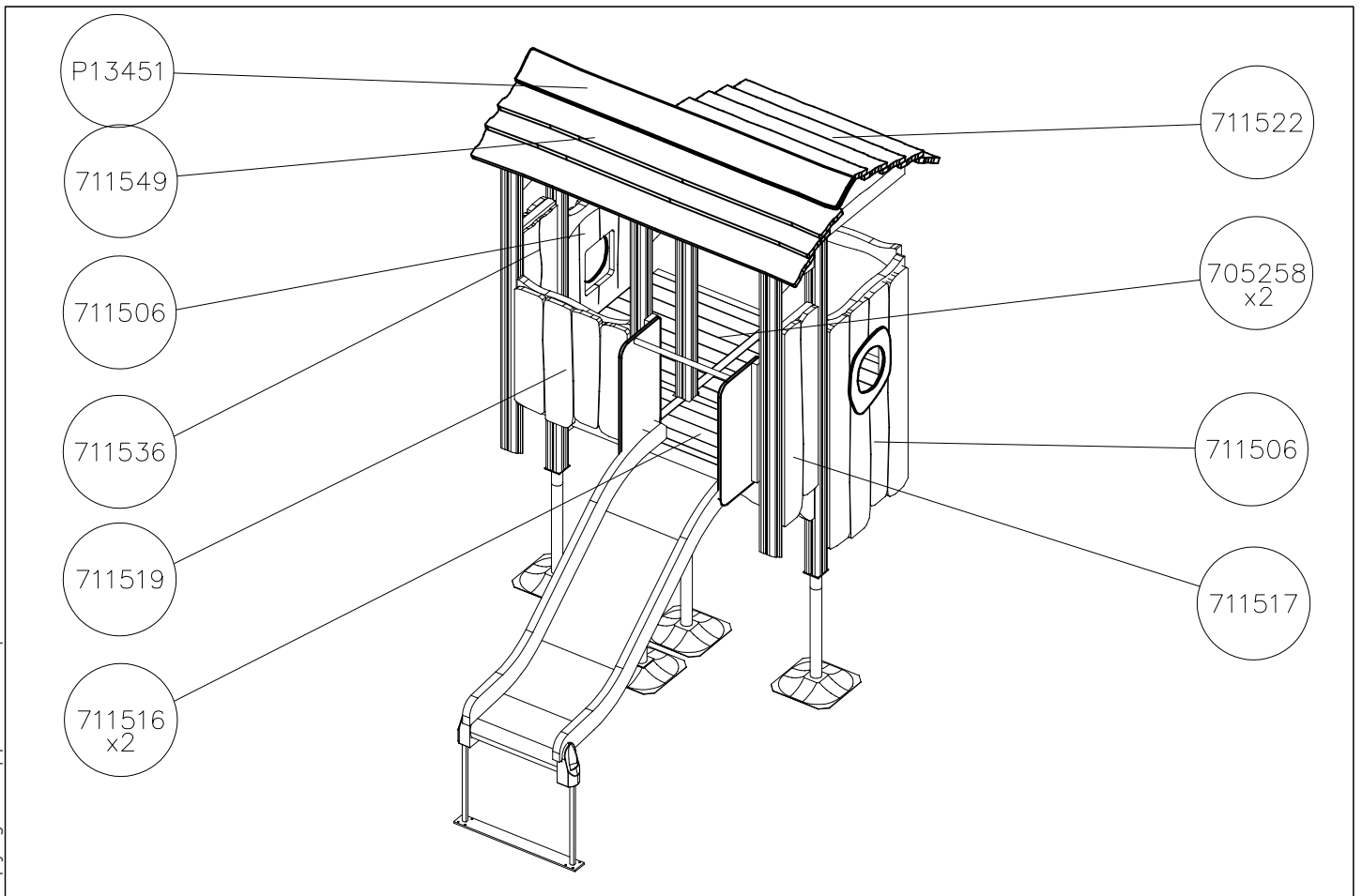
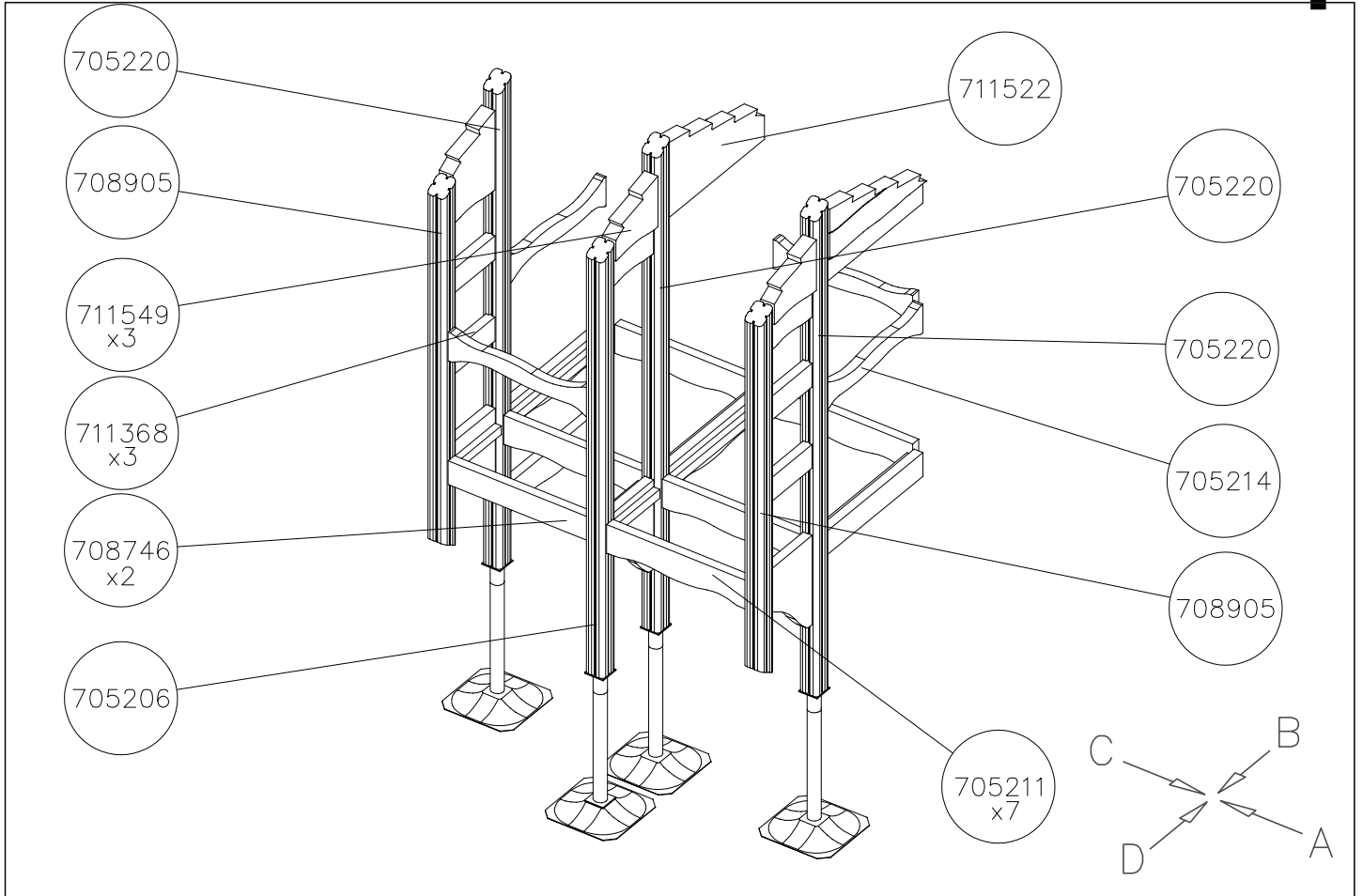
C



D



DATE: 13.9.2024

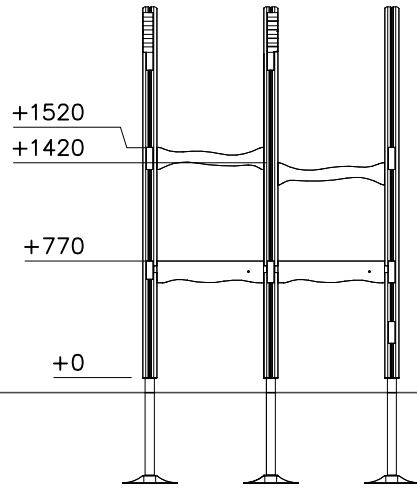
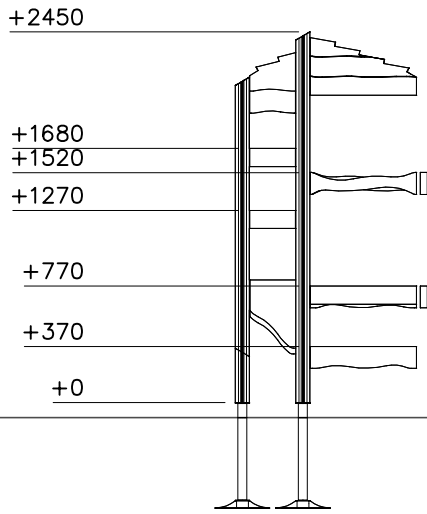


DATE: 13.9.2024

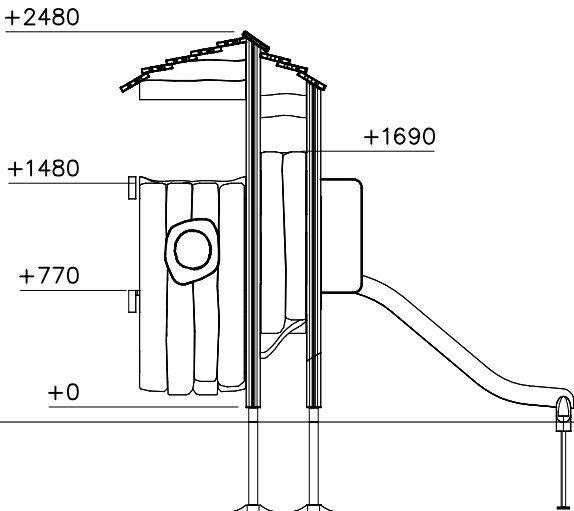
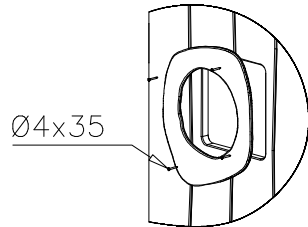
1:50

(B)

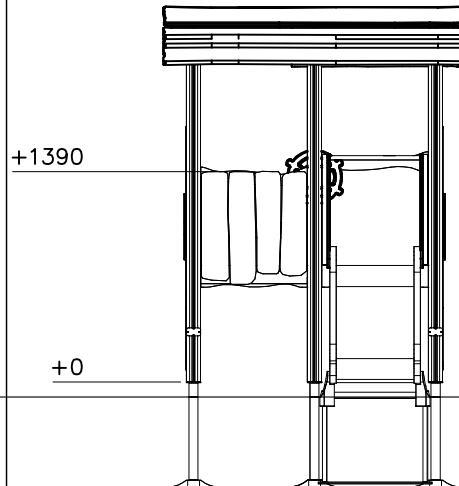
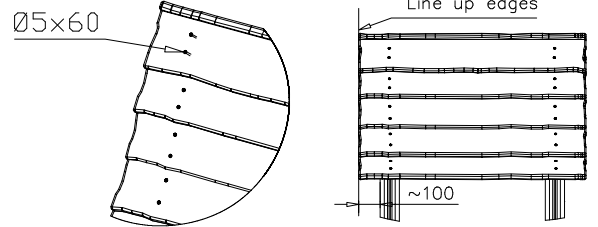
(A)

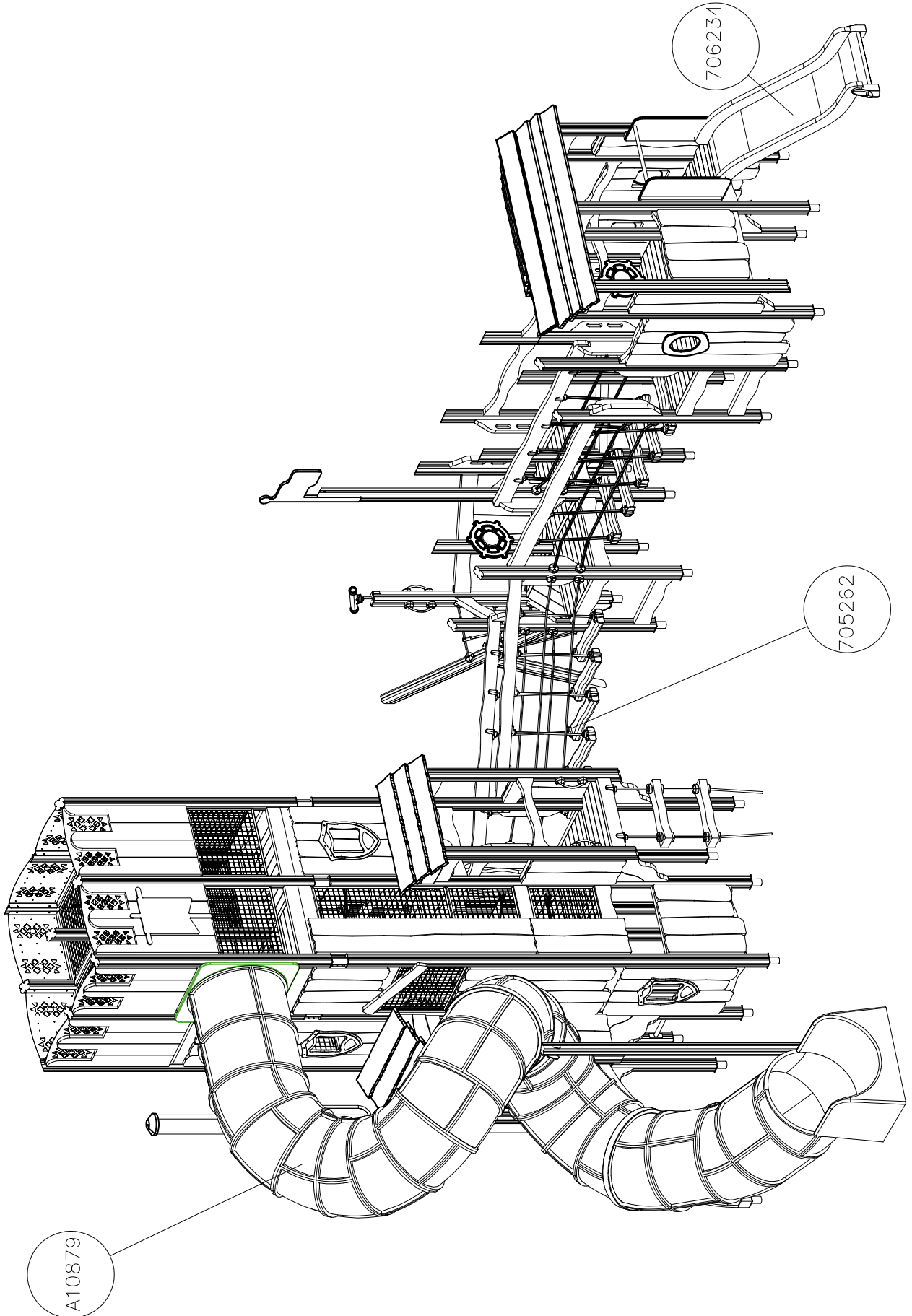


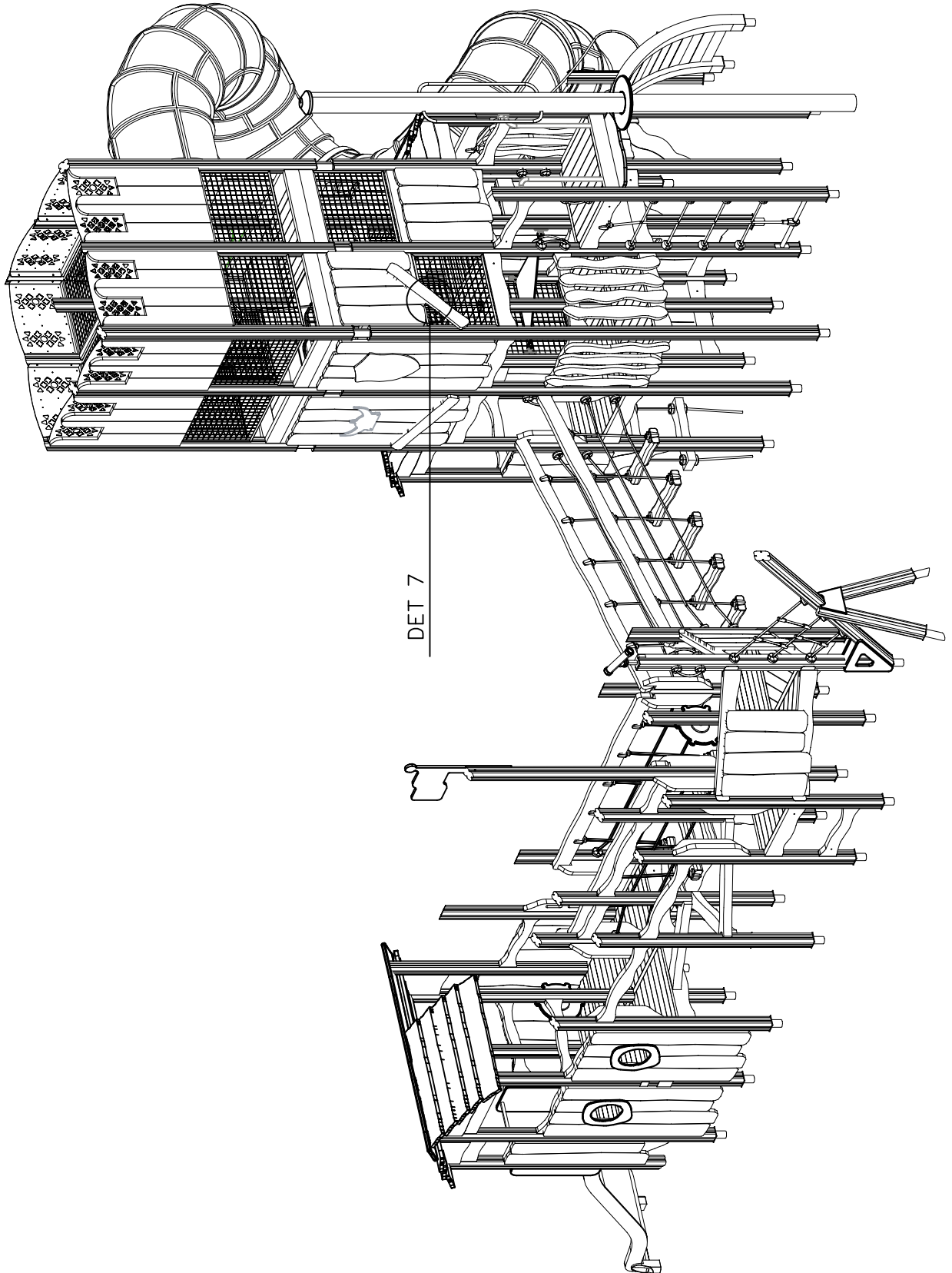
(C)

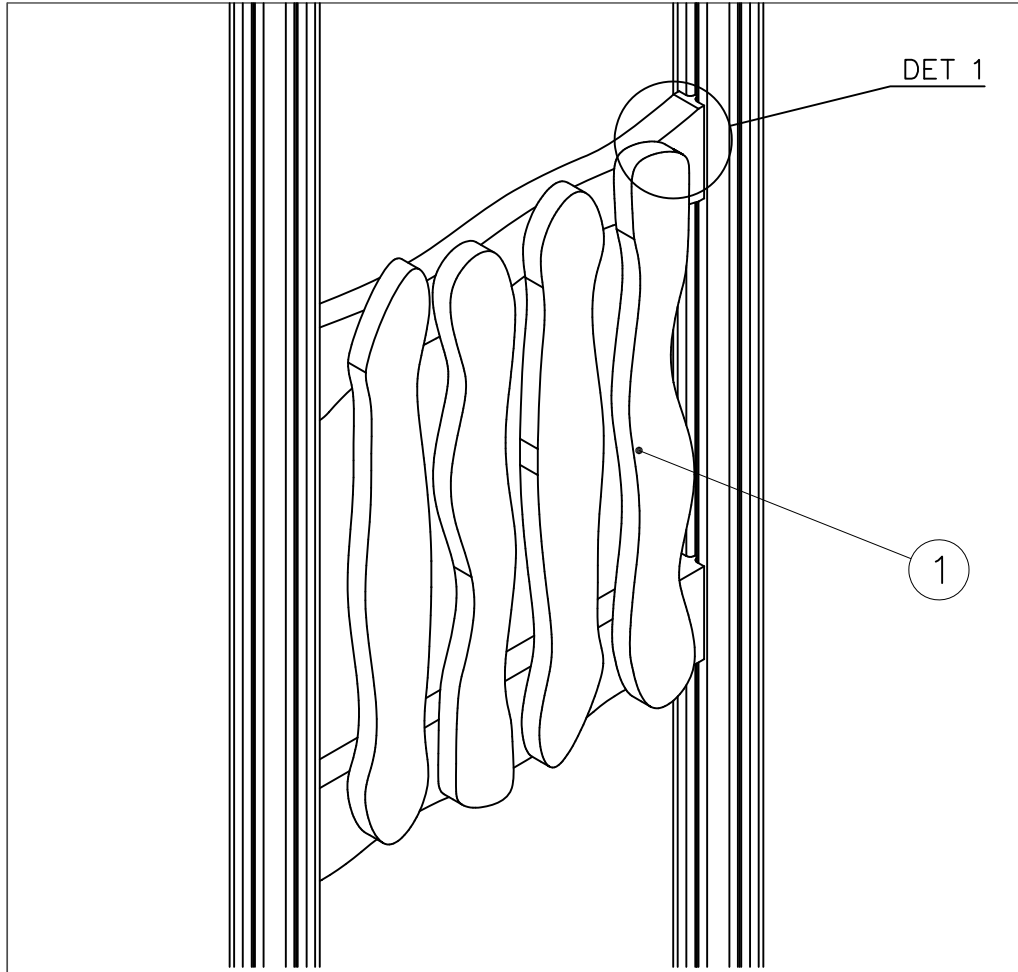


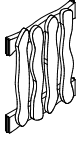

(D)

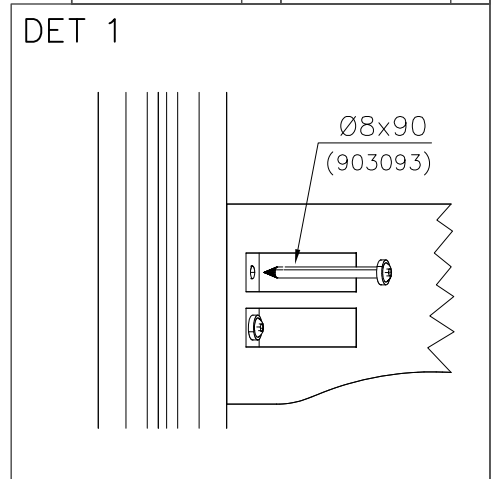
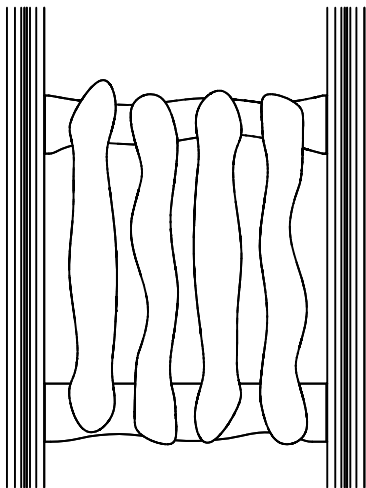


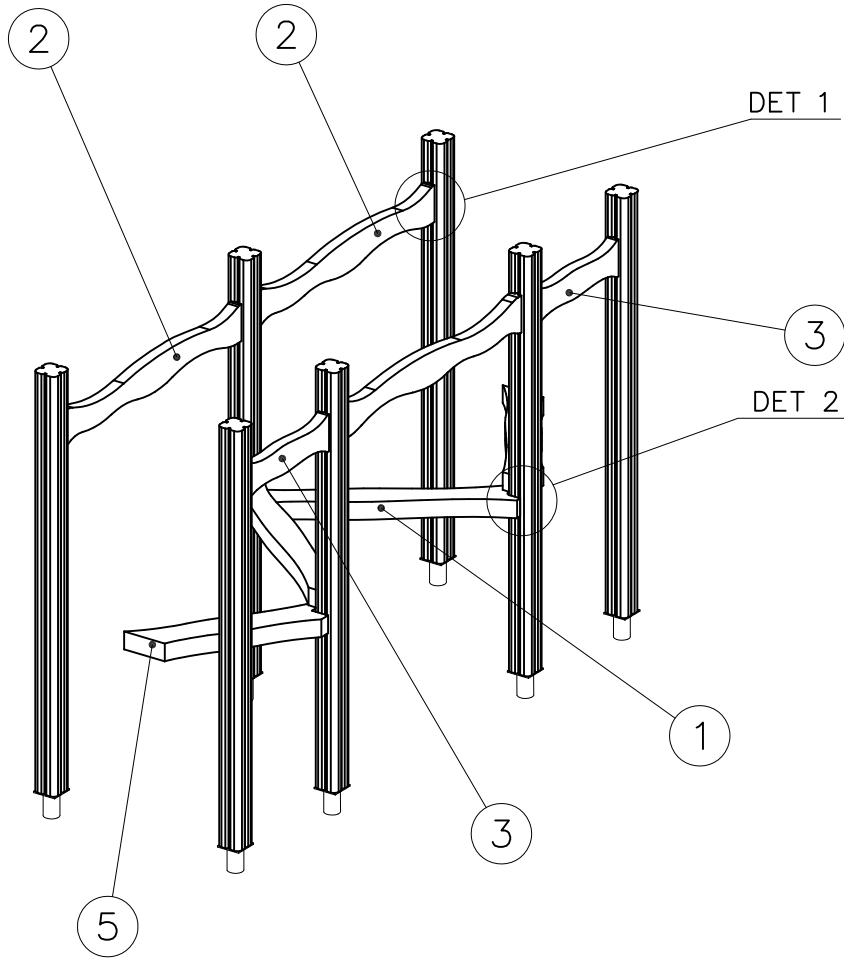


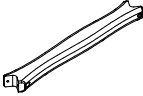

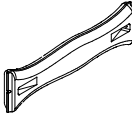
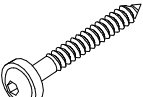

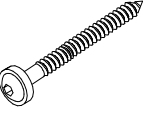
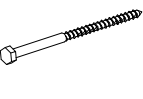
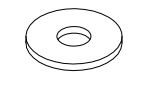


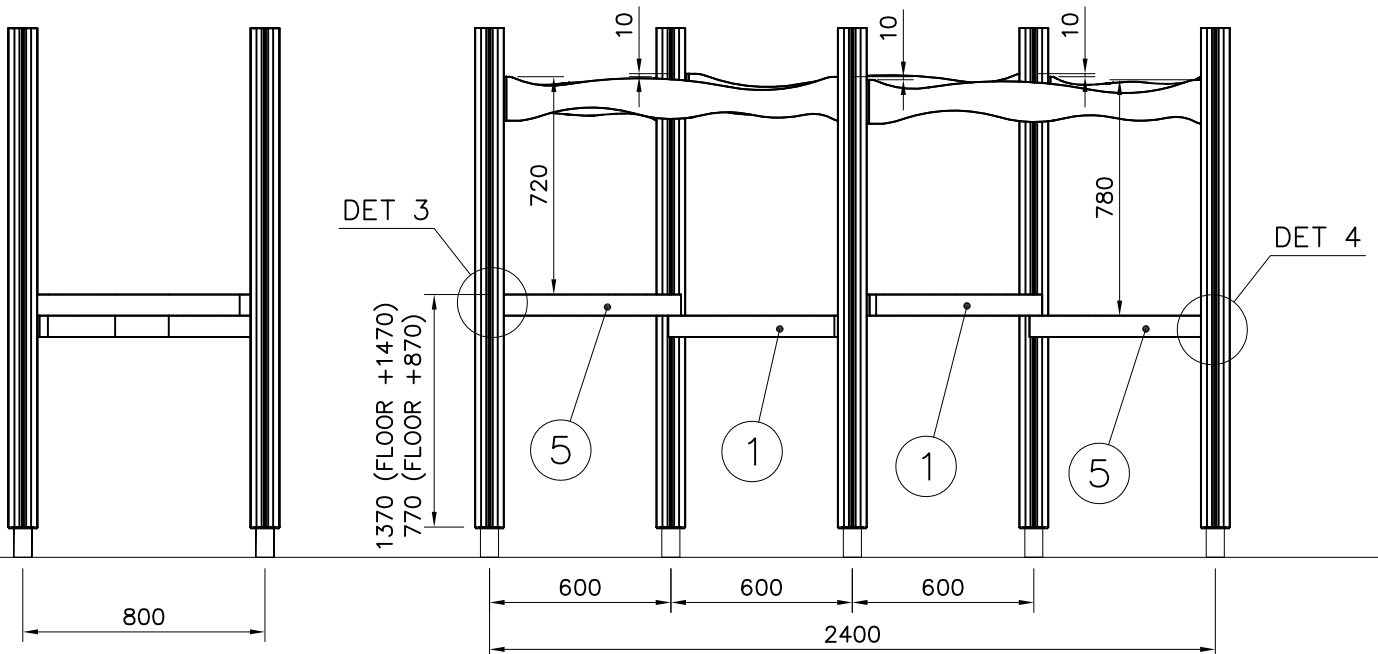


① 705210	PCS	② 903093	PCS
	1		8
		Ø8x90	
	PCS		PCS
	PCS		PCS
	PCS		PCS
	PCS		PCS
	PCS		PCS

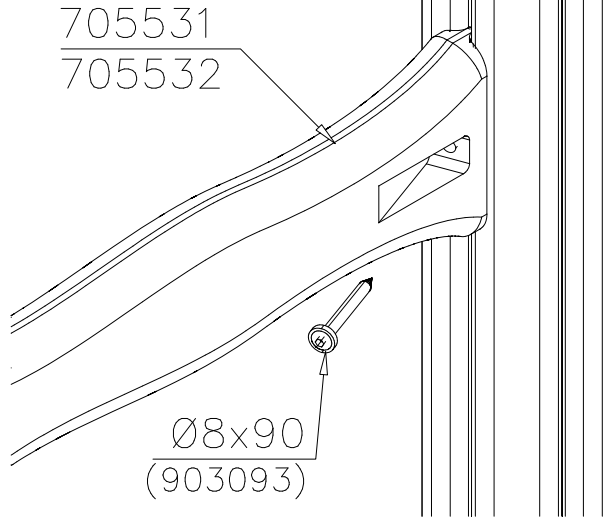




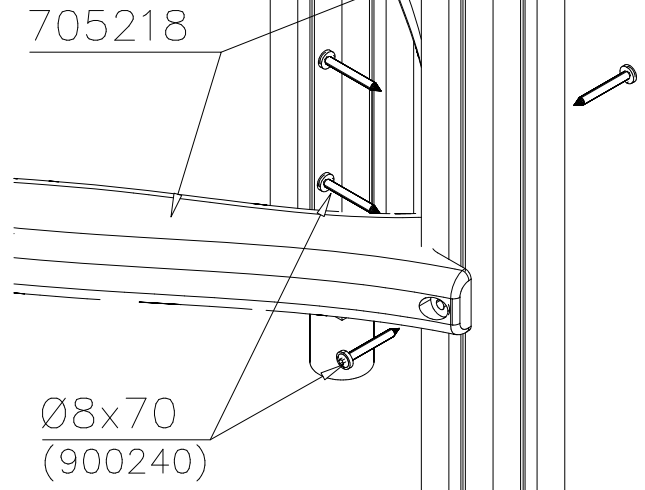
① 705218	PCS	② 705531	PCS
	2		3
70x145x965		45x145x1124	
③ 705532	PCS	④ 900240	PCS
	2		12
45x145x527		Ø8x70	
⑤ 705541	PCS	⑥ 903093	PCS
	2		12
70x145x770		Ø8x90	
⑦ 909230	PCS	⑧ 905051	PCS
	2		2
8x150		Ø24/8.5	



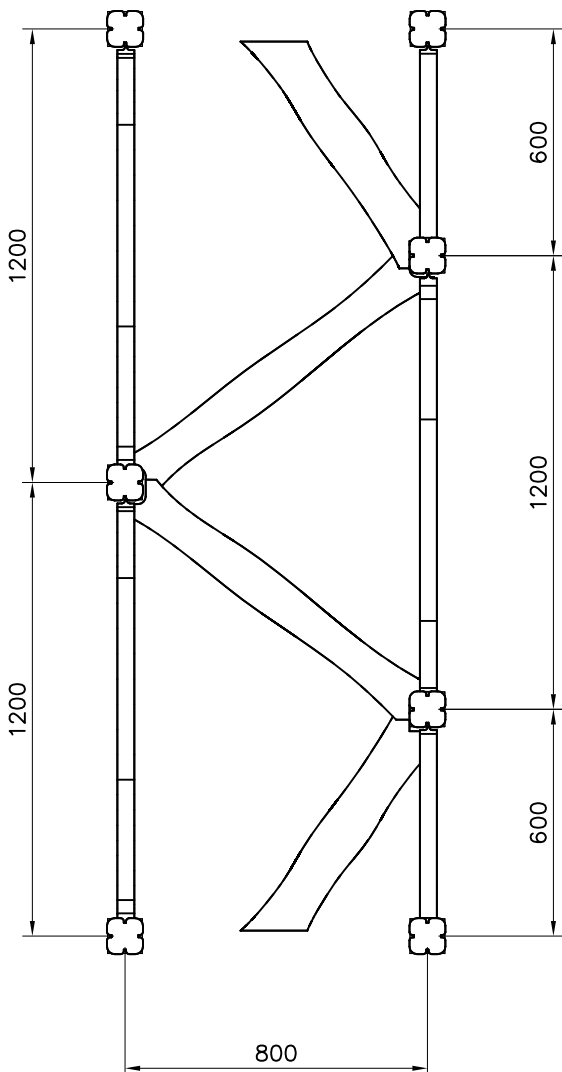
DET 1



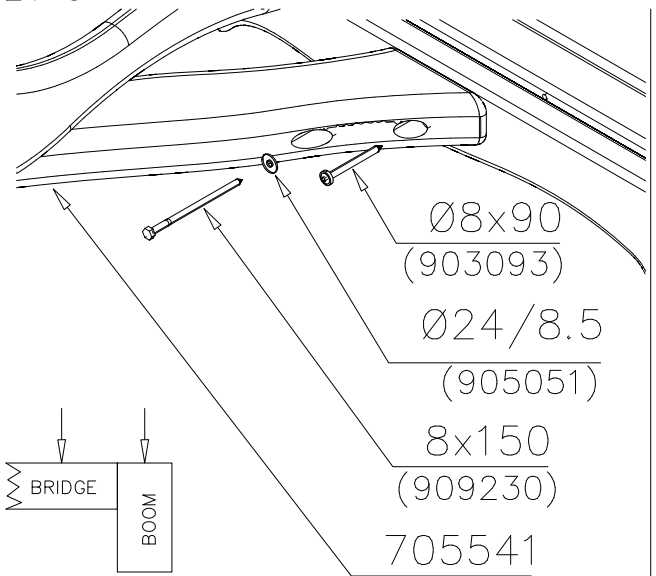
DET 2



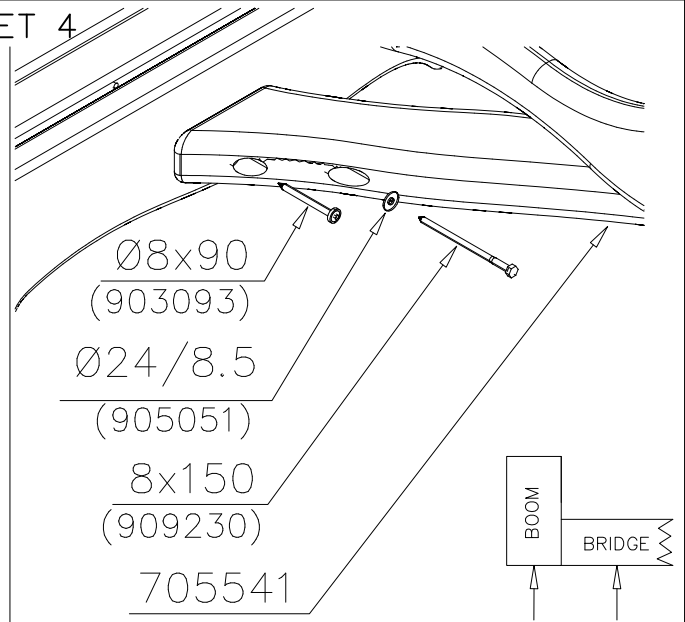
1:20

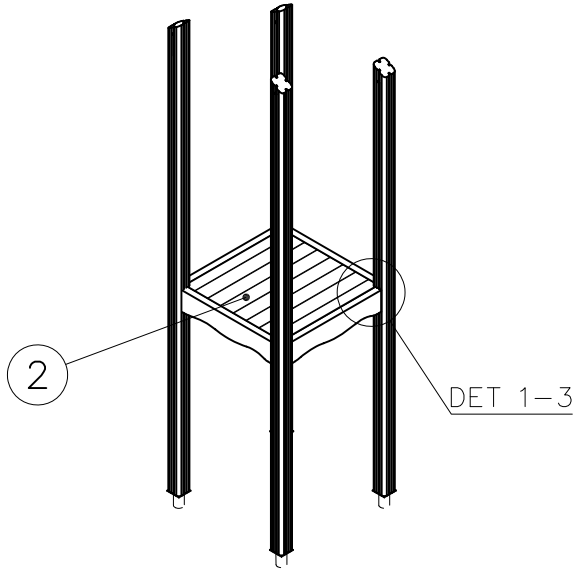


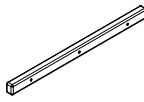

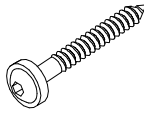

DET 3

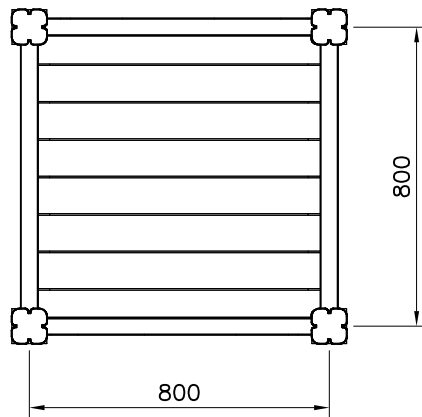


DET 4

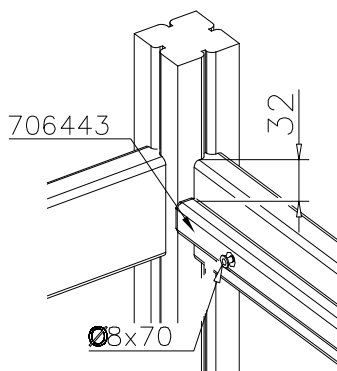




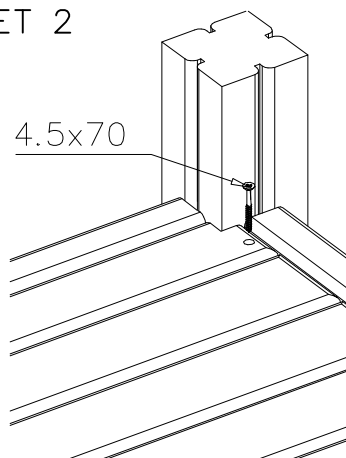
① 706443	PCS	② 705257	PCS
	2		1
32x45x702		32x750x750	
③ 900240	PCS	④ 980101	PCS
	6		8
Ø8x70		Ø4.5x70	
	PCS		PCS
	PCS		PCS



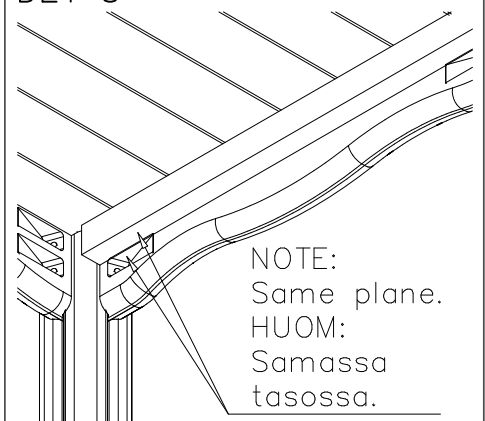
DET 1

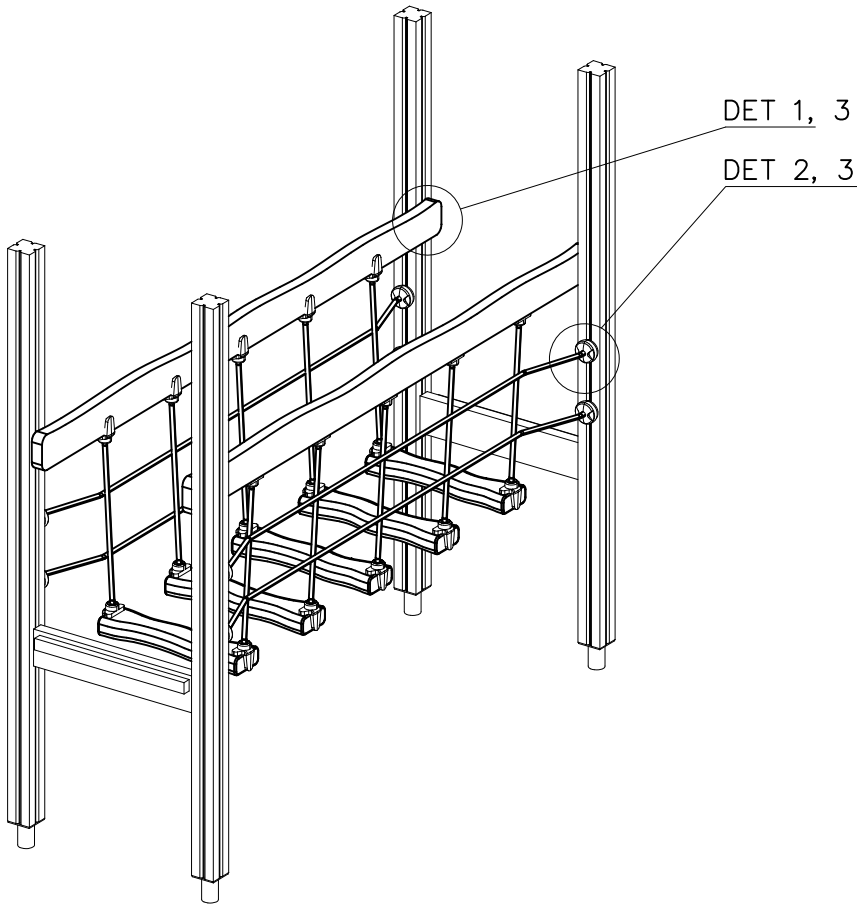


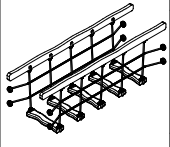
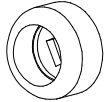



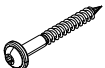
DET 2

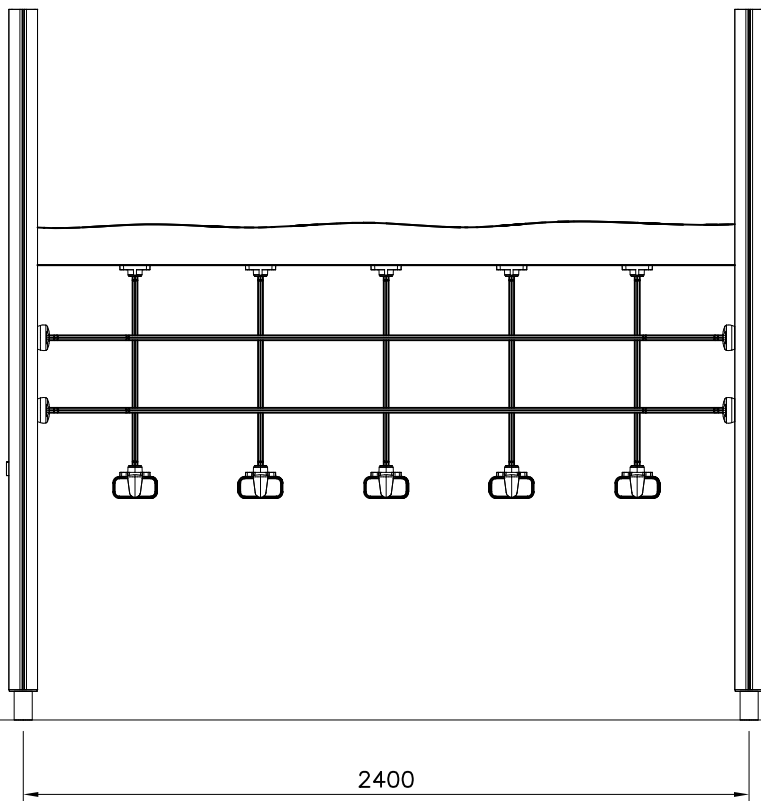
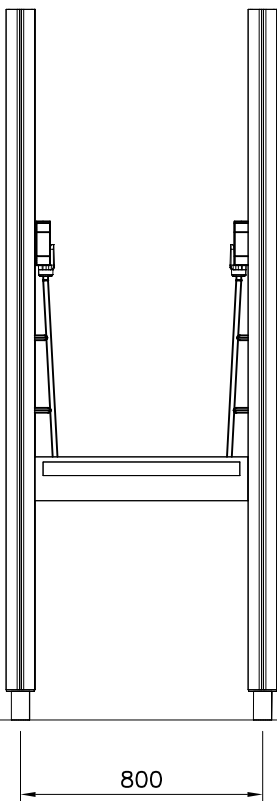


DET 3

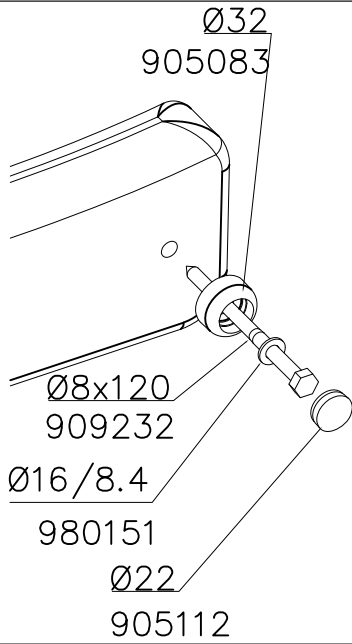




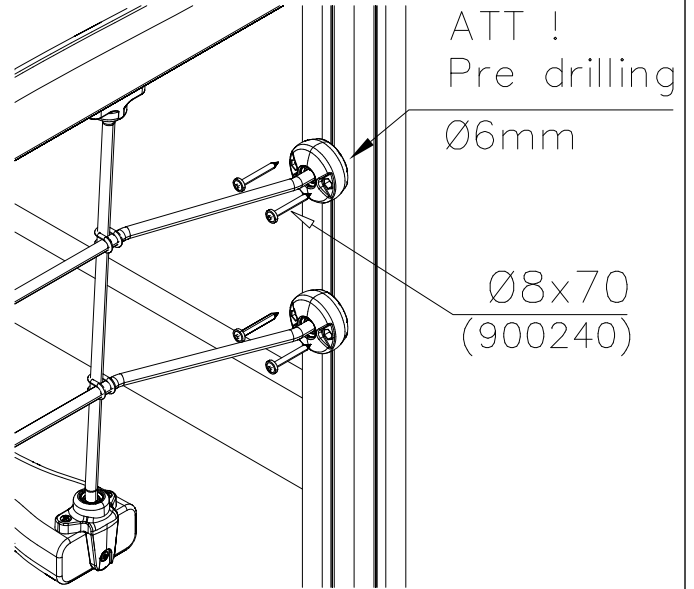
① 705248	PCS	② 905083	PCS
	1		4
		Ø32	
③ 905112	PCS	④ 909232	PCS
	4		4
Ø22		Ø8x120	
⑤ 980151	PCS	⑥ 900240	PCS
	4		16
Ø16/8.4		Ø8x70	
	PCS		PCS



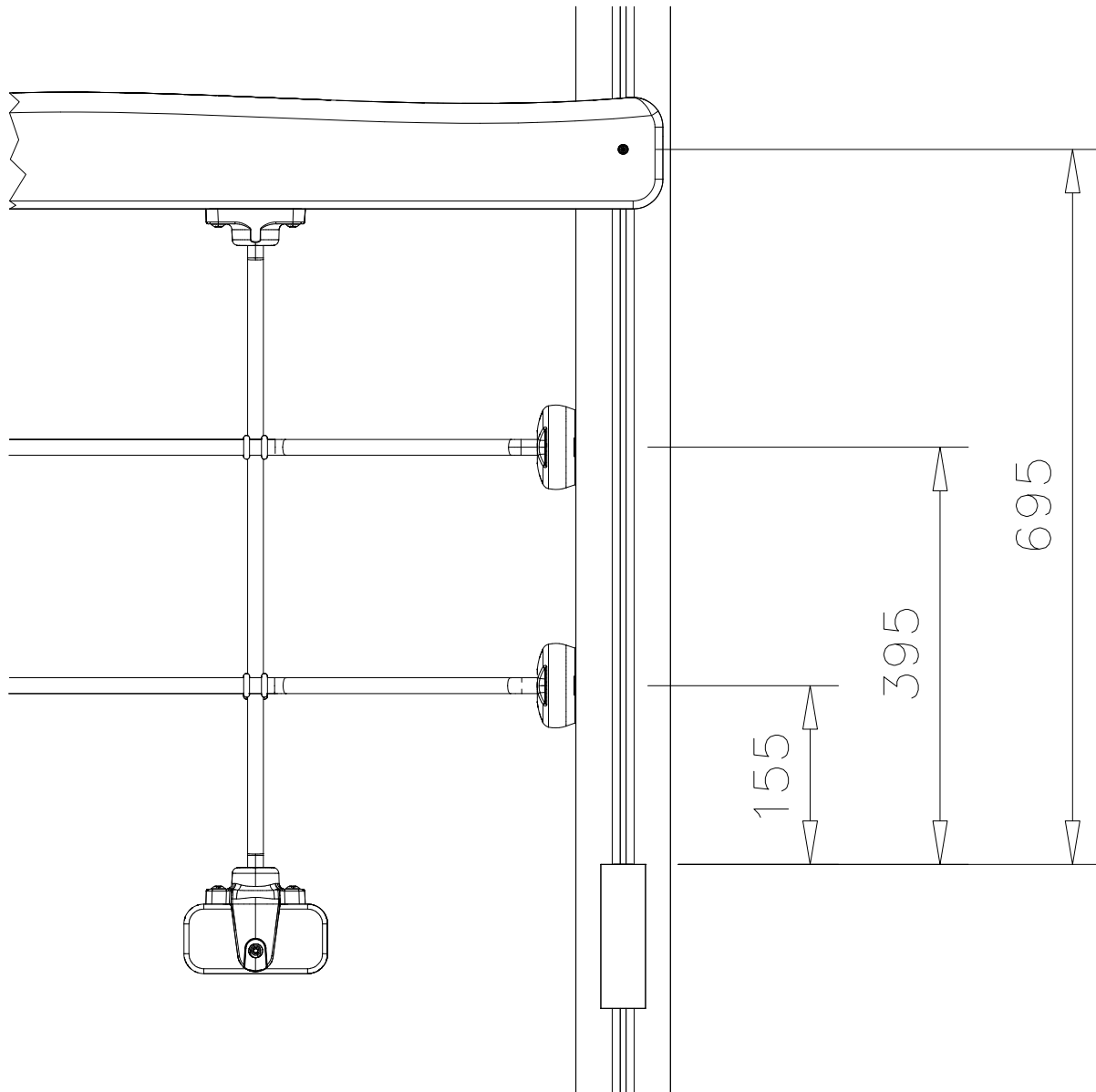
DET 1

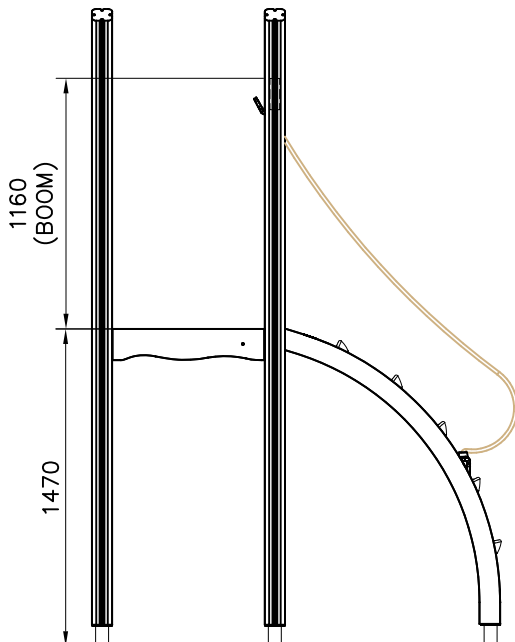
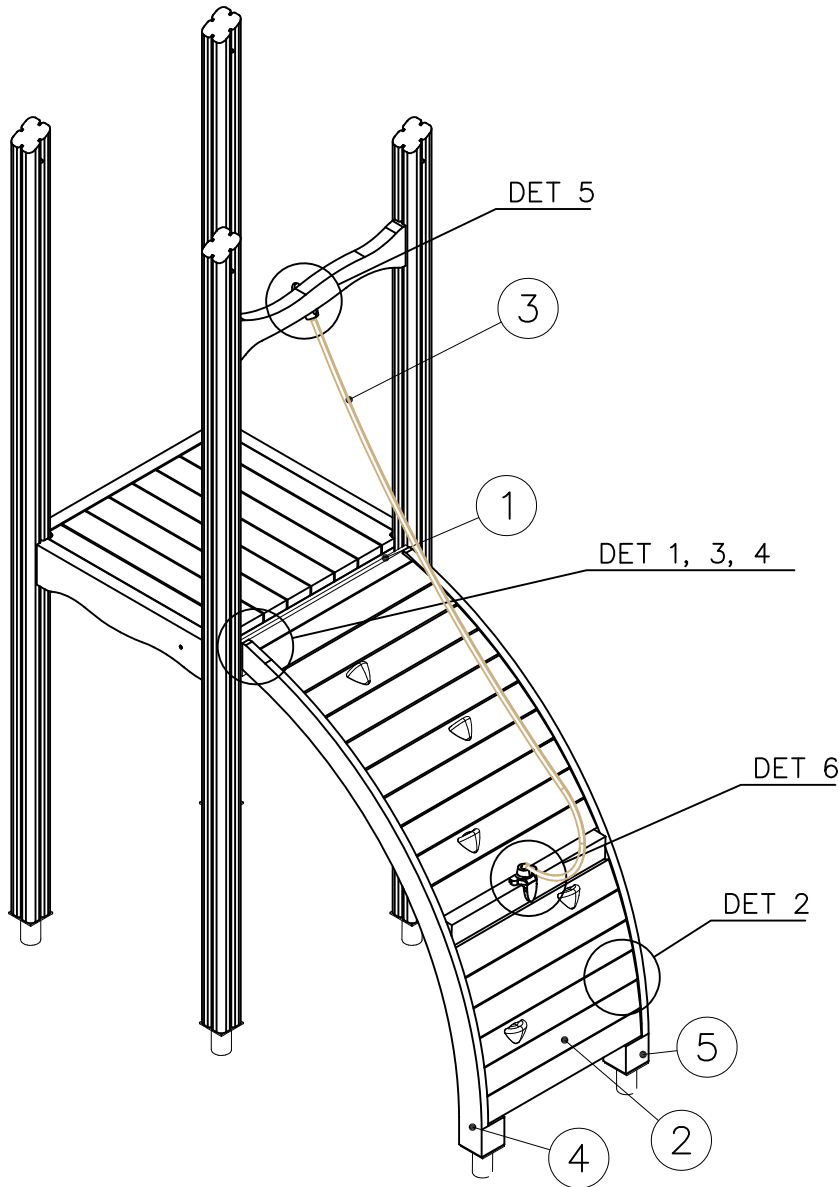


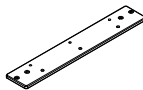




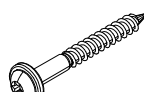

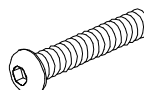
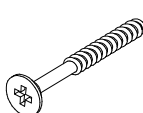


DET 2



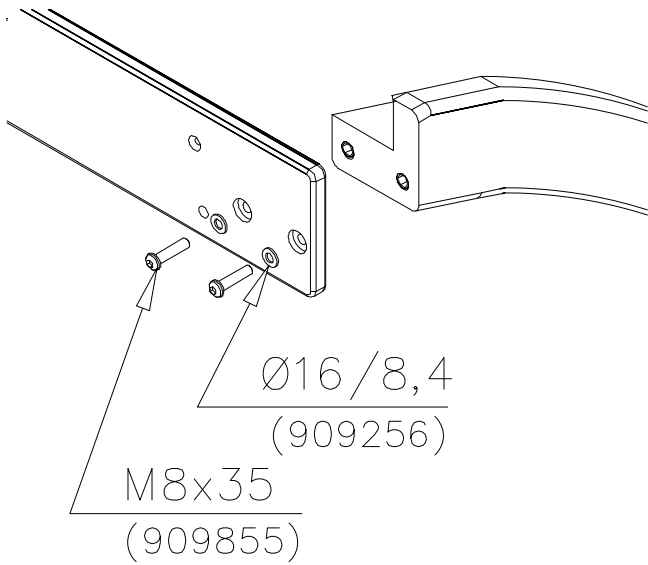
DET 3



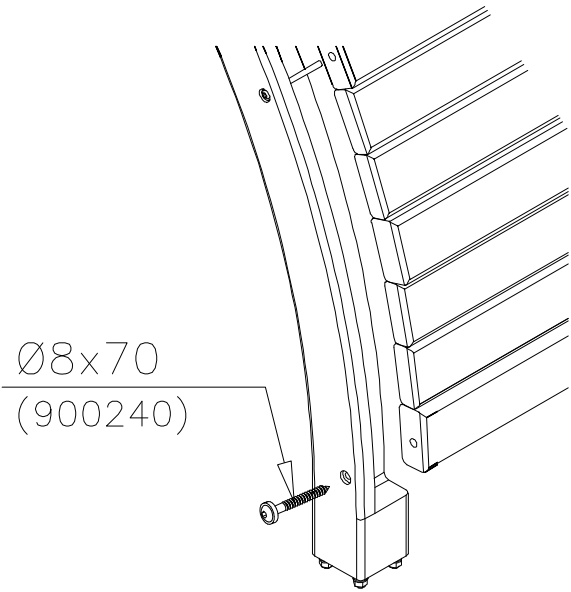


① 701092 -707	PCS 1	② 705331	PCS 1
			
15x120x700		45x645x1670	
③ 705363	PCS 1	④ 701090	PCS 1
			
L 2120		95x1005x1365	
⑤ 701091	PCS 1	⑥ 900240	PCS 8
			
95x1005x1365		Ø8x70	
⑦ 909256	PCS 4	⑧ 909855	PCS 4
			
Ø16/8.4x1.6		M8x35	
⑨ 980107	PCS 3	⑩ 980123	PCS 4
			
Ø6x60		Ø7x60	
⑪ 980128	PCS 5		PCS
			
Ø7x40			
	PCS		PCS
	PCS		PCS

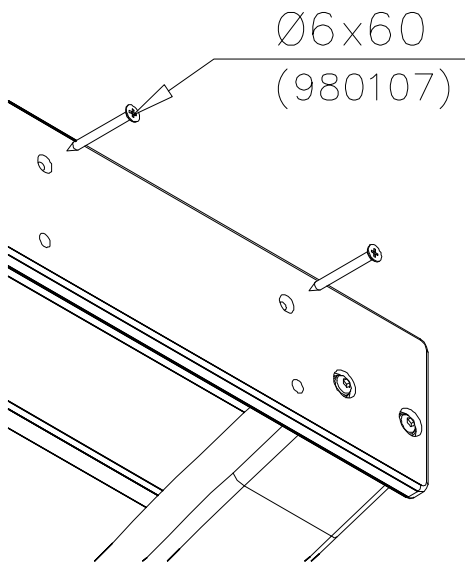
DET 1



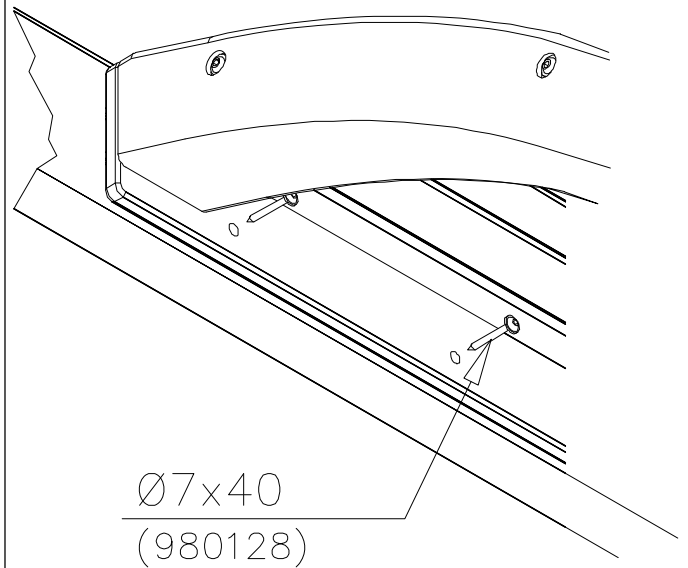
DET 2



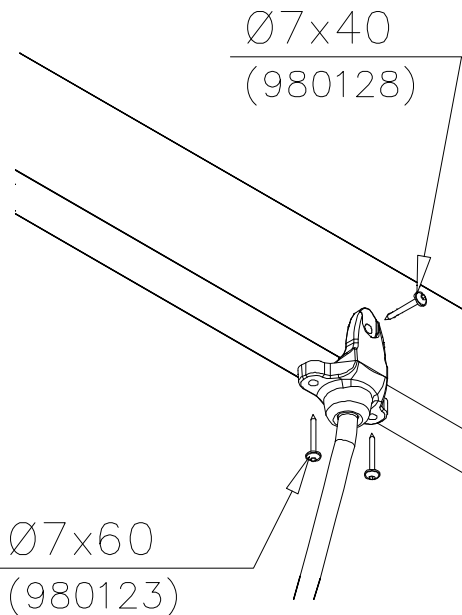
DET 3



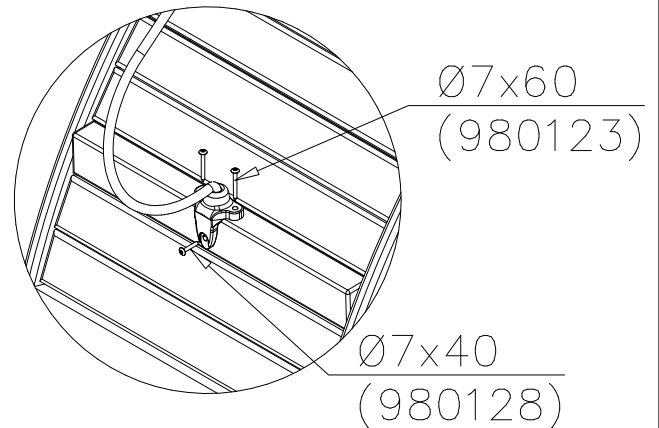
DET 4

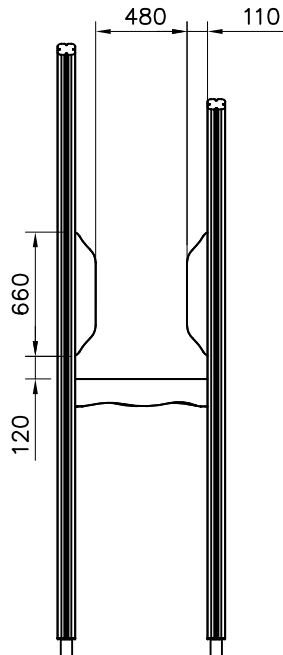
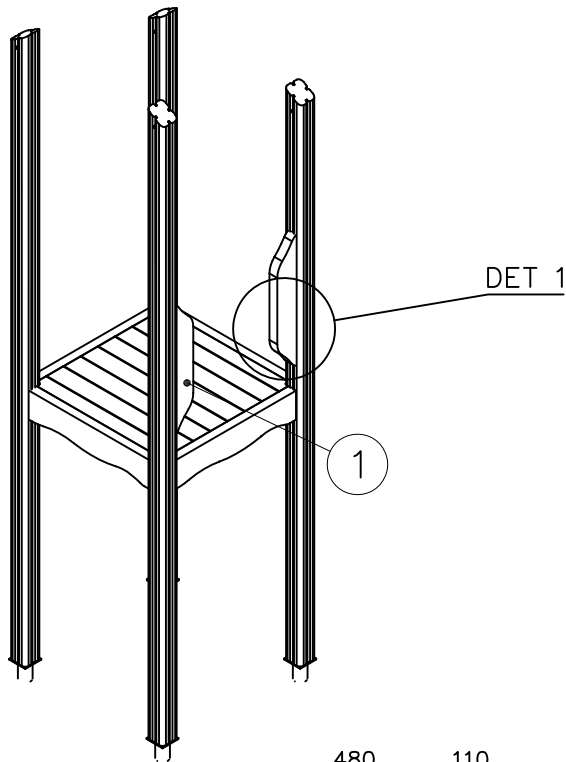



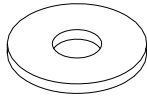

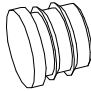
DET 5



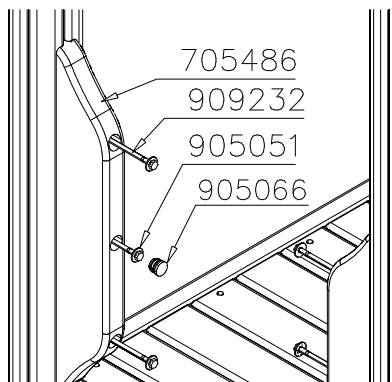
DET 6

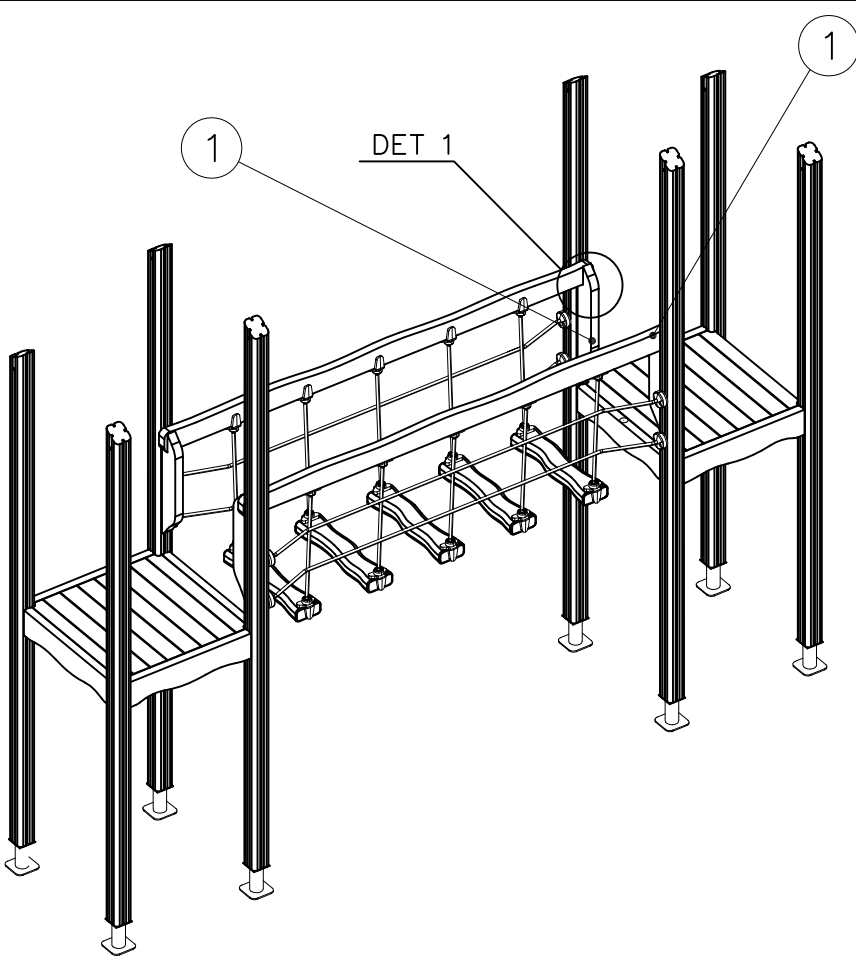



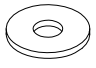
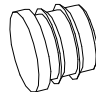



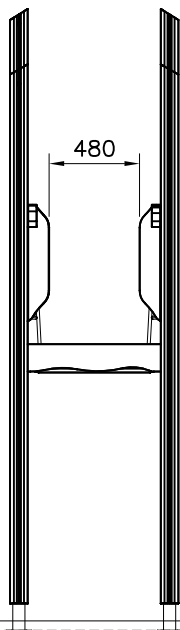
① 705486	PCS	② 905051	PCS
	2		6
45x120x660		Ø24/8.4	
③ 909232	PCS	④ 905066	PCS
	6		6
8x120		S30H	
	PCS		PCS
	PCS		PCS
	PCS		PCS
	PCS		PCS

DET 1

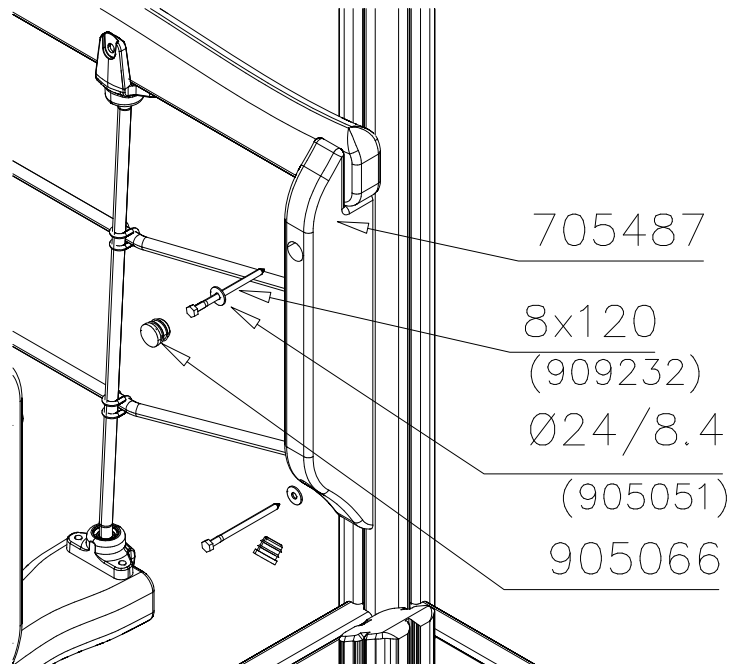




① 705487	PCS	② 905051	PCS
	2		4
45x120x590		Ø24/8.4	
③ 905066	PCS	④ 909232	PCS
	4		4
S30H		8x120	
	PCS		PCS
	PCS		PCS



DET 1



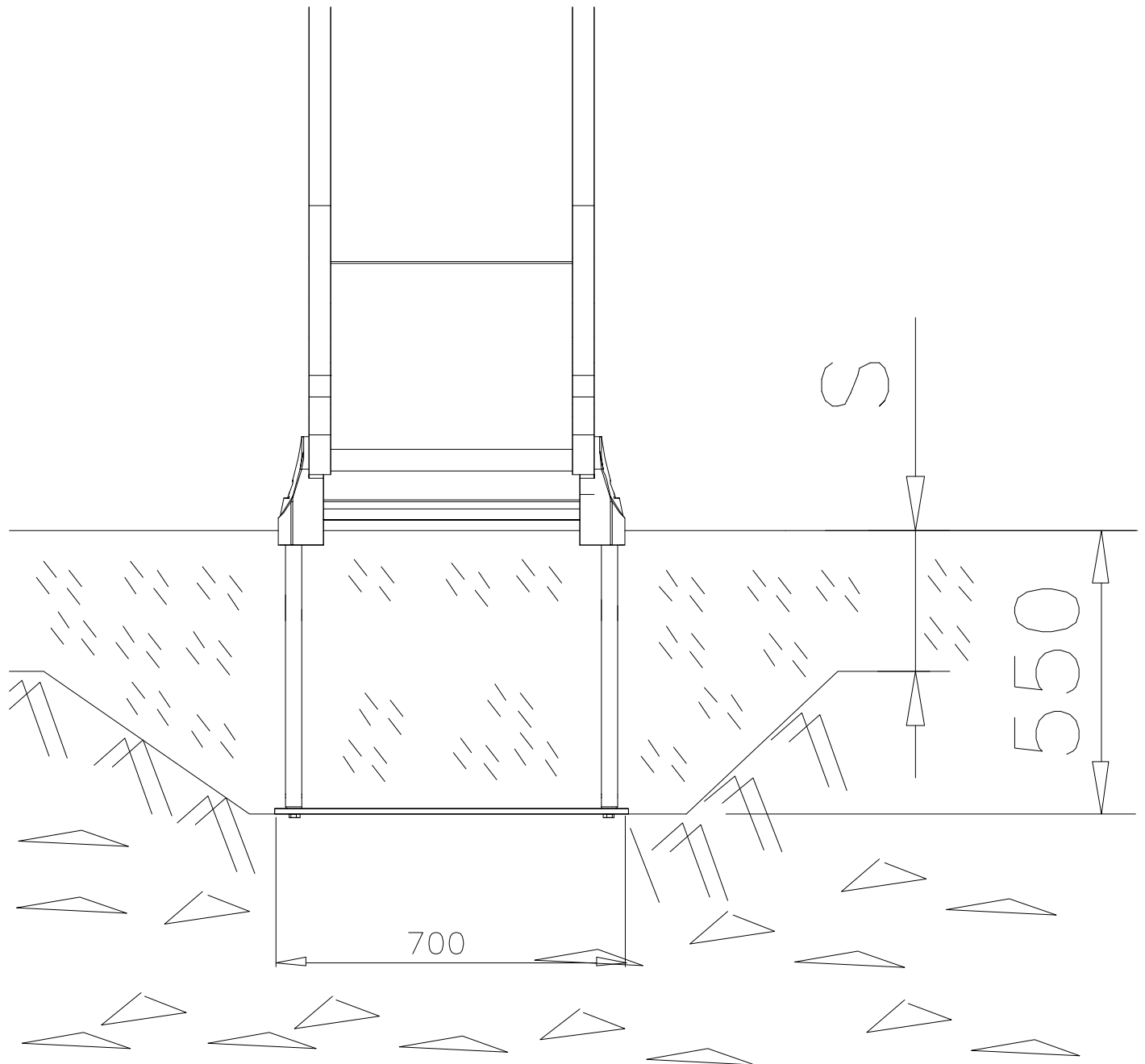
LAPPSET

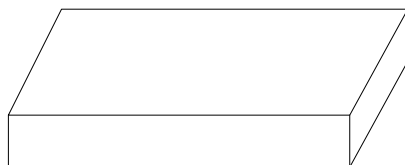
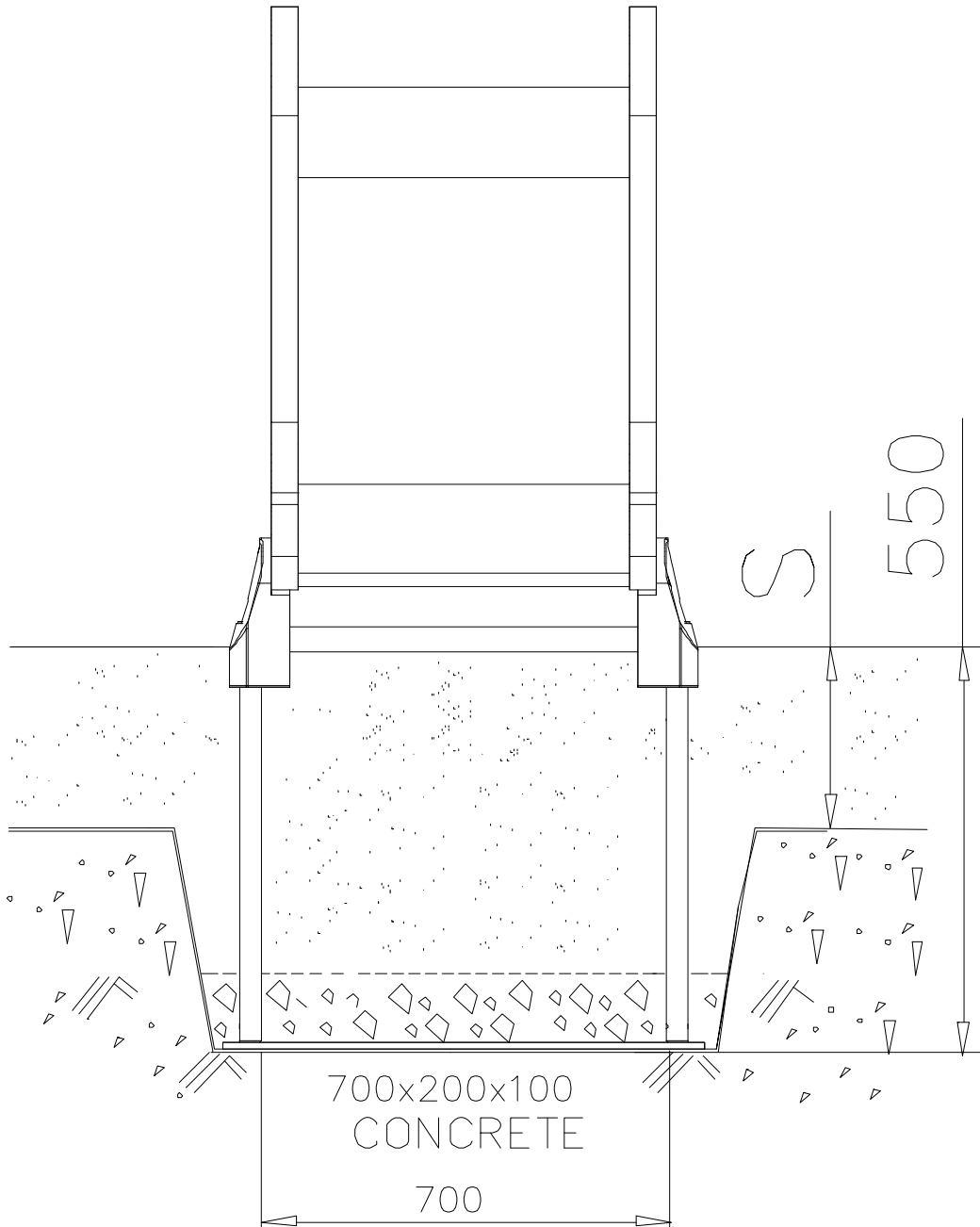
DEEP FOUNDATION

SLIDE WOOD

DATE: 22.5.2015

1(1)



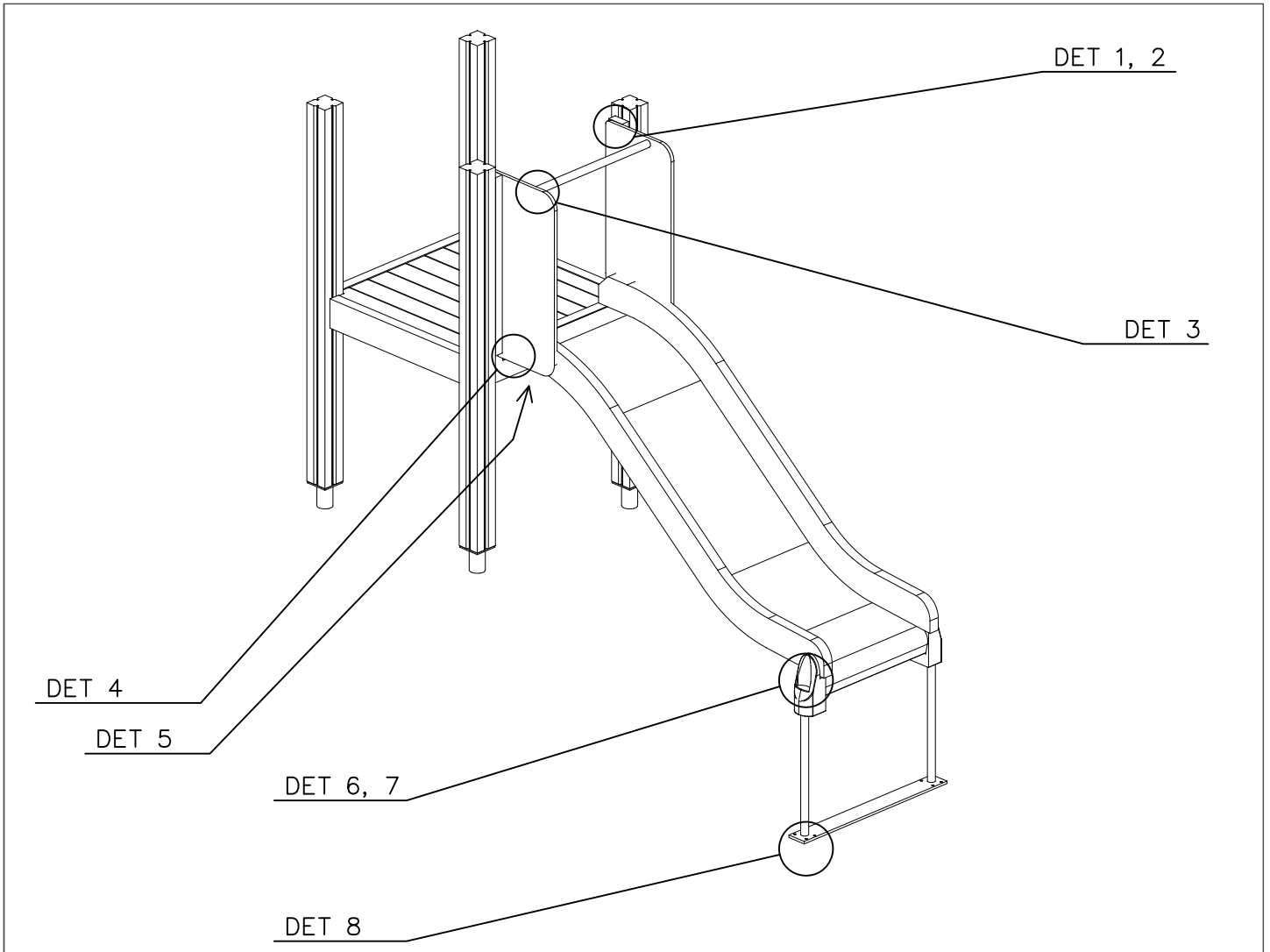



LAPPSET®
DEEP FOUNDATION


706234

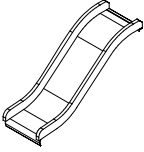
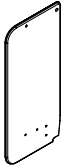

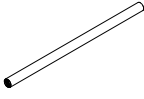
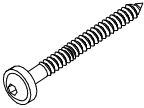
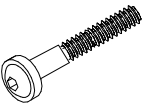
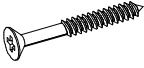
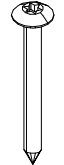

DATE: 6.10.2023

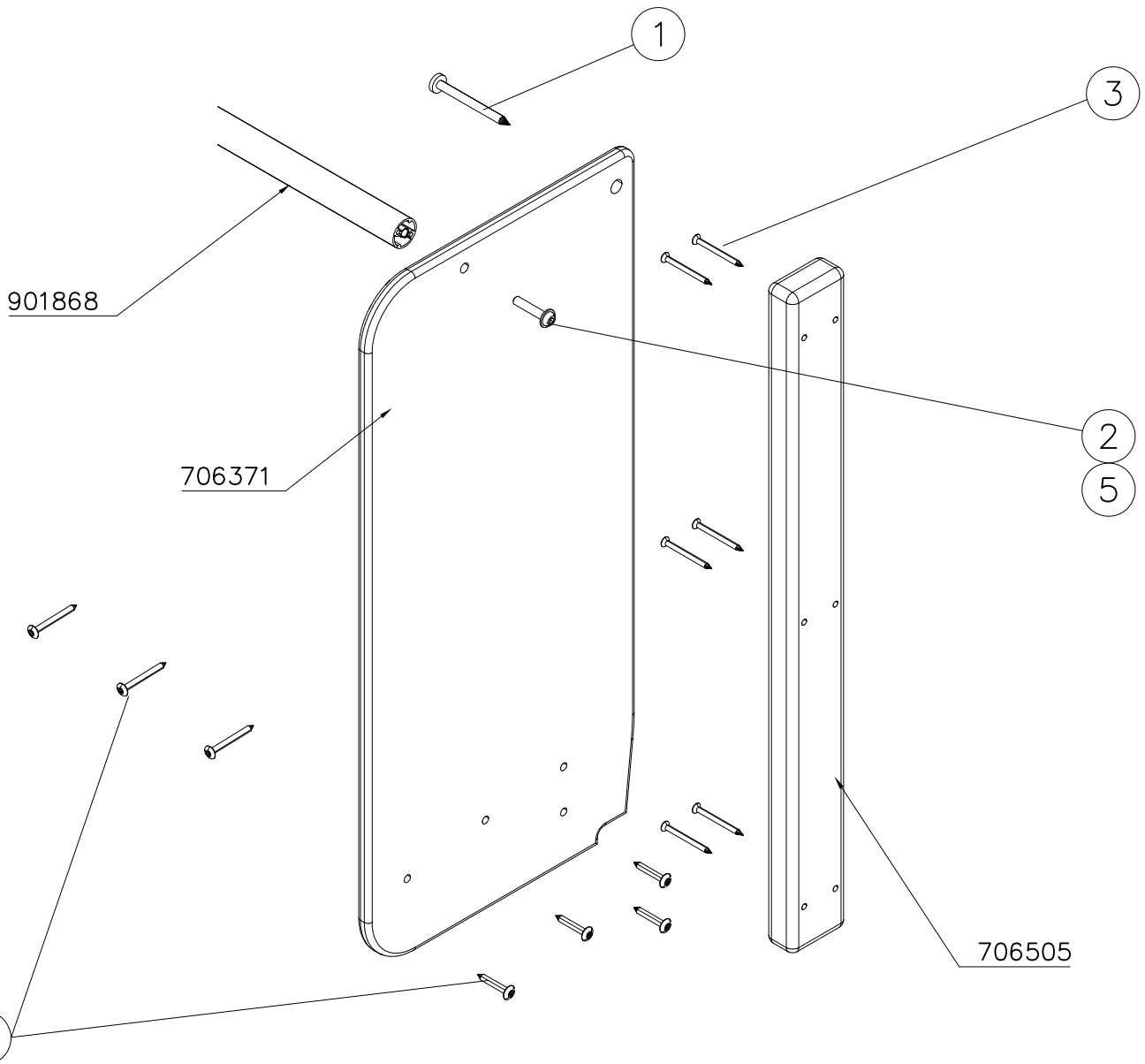
1(5)

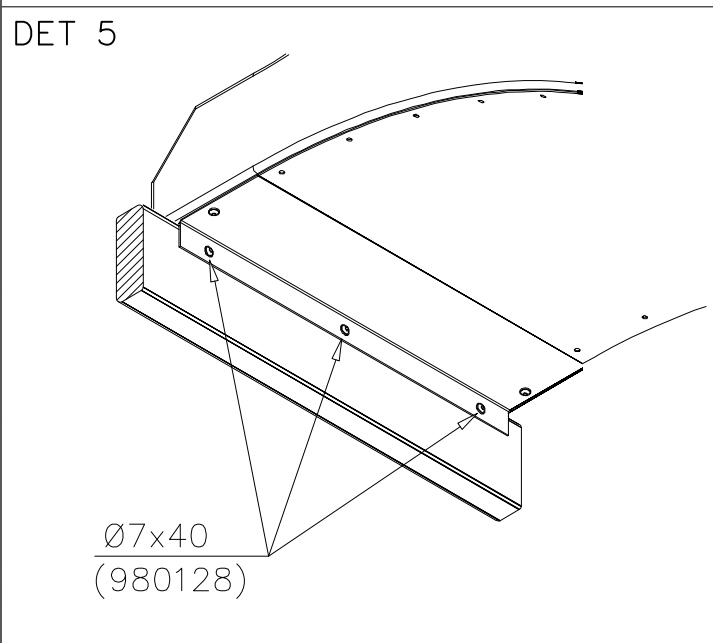
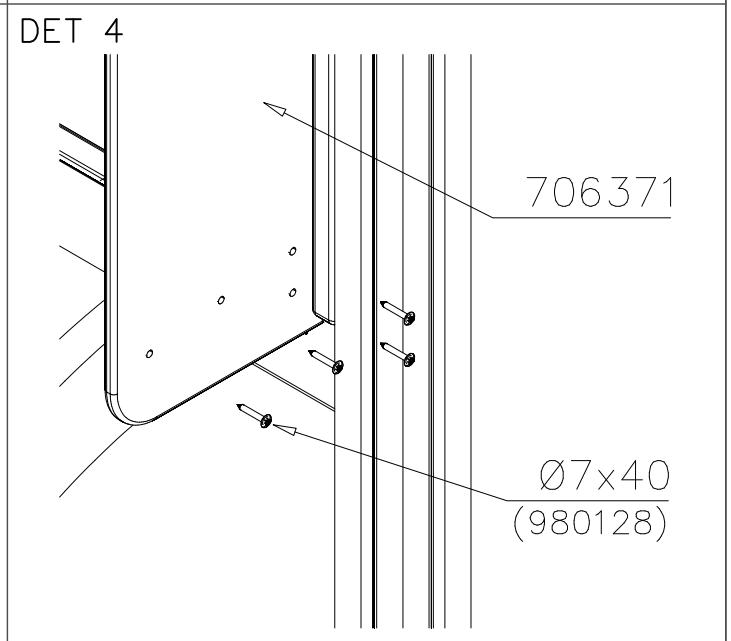
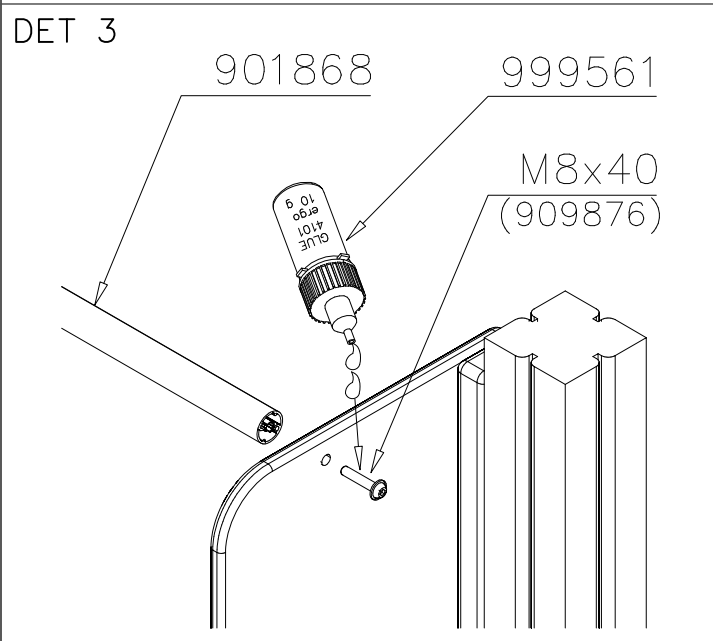
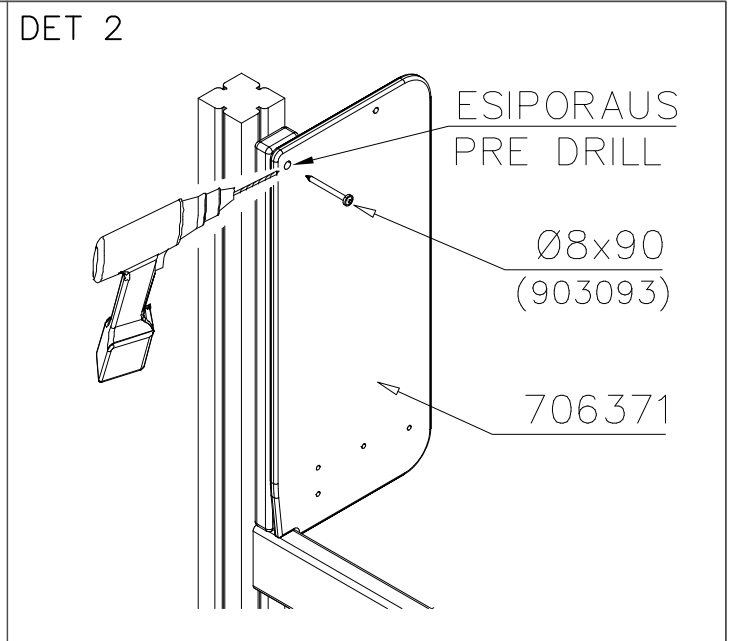
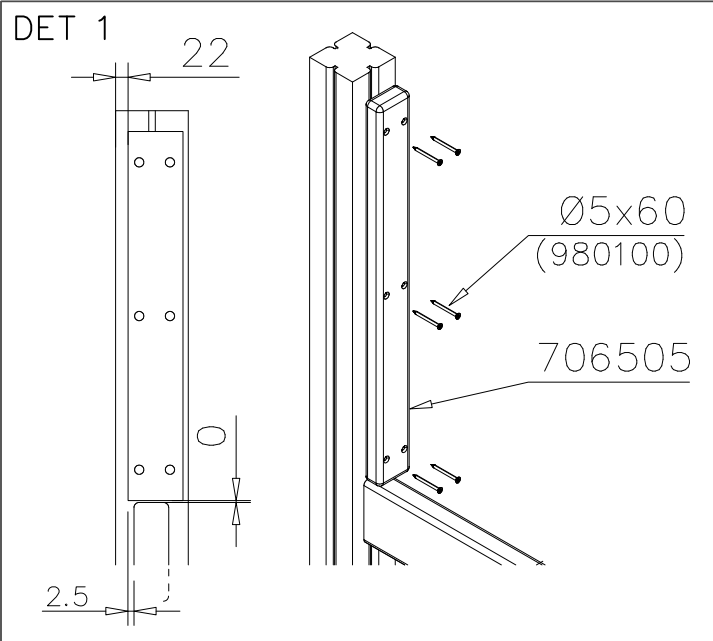


SLIDE OPTIONS		
<p>+870</p> 	<p>706452-001 NATURAL 706452-614 FLORA BROWN</p>	

WALL OPTIONS		
<p>706371</p> 	<p>706371-707 GREEN</p>	

○ SLIDE	PCS	○ 706371	PCS	○ 706505	PCS	○ 901868	PCS	① 903093	PCS	② 909876	PCS
	1		2		2		1		2		2
+870		15x345x750		35x70x730		Ø34x598		Ø8x90		M8x40	
③ 980100	PCS	④ 980128	PCS	⑤ 999561	PCS						
	12		11		1						
Ø5x60		Ø7x40		10g							





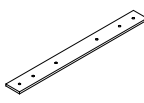
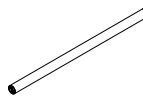

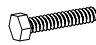
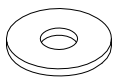
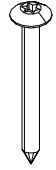
LAPPSET

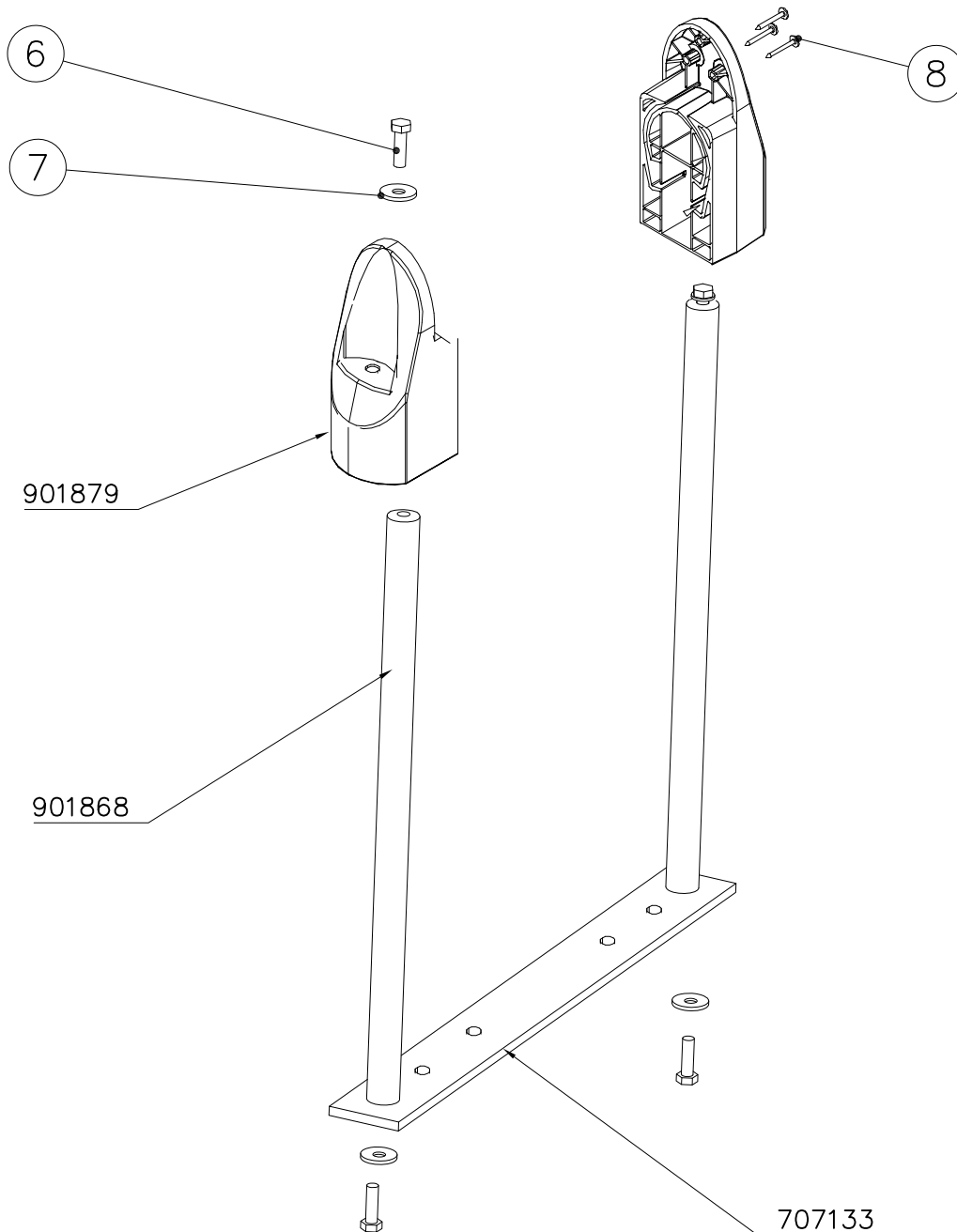
DEEP FOUNDATION

706234

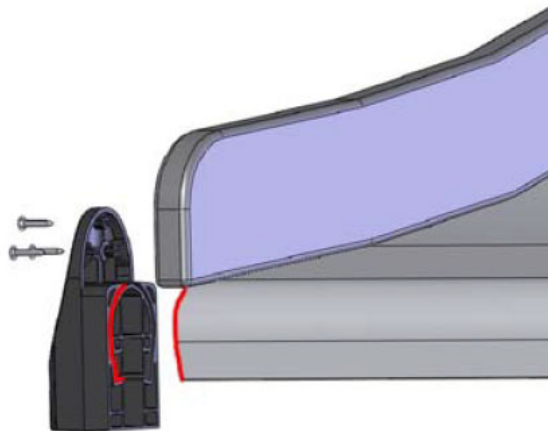
DATE: 6.10.2023

4(5)

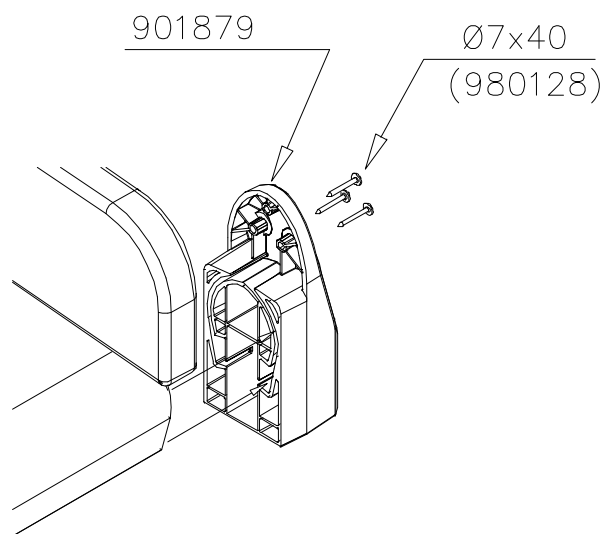
○ 707133	PCS	○ 901868	PCS	○ 901879	PCS	⑥ 909210	PCS	⑦ 905051	PCS	⑧ 980128	PCS
	1		2		2		4		4		6
10x80x745		Ø30x598				M8x40		Ø24/8.4		Ø7x40	



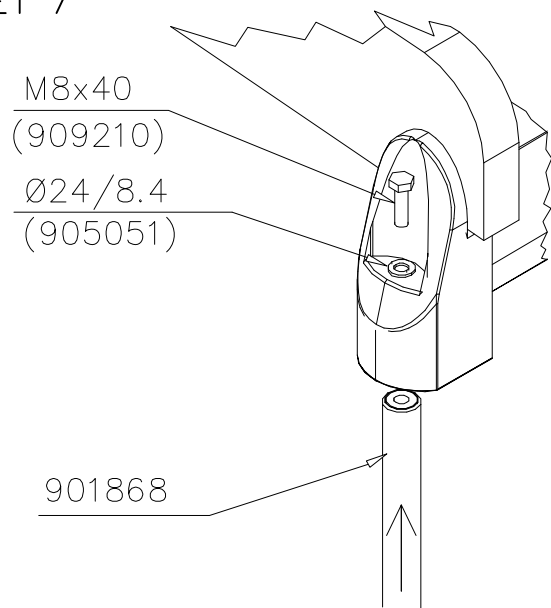
DET 6



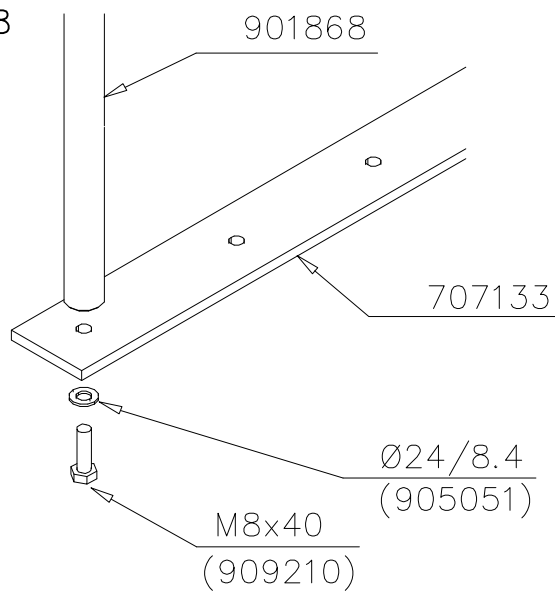
Insert sheet metal IN to the plastic cover.

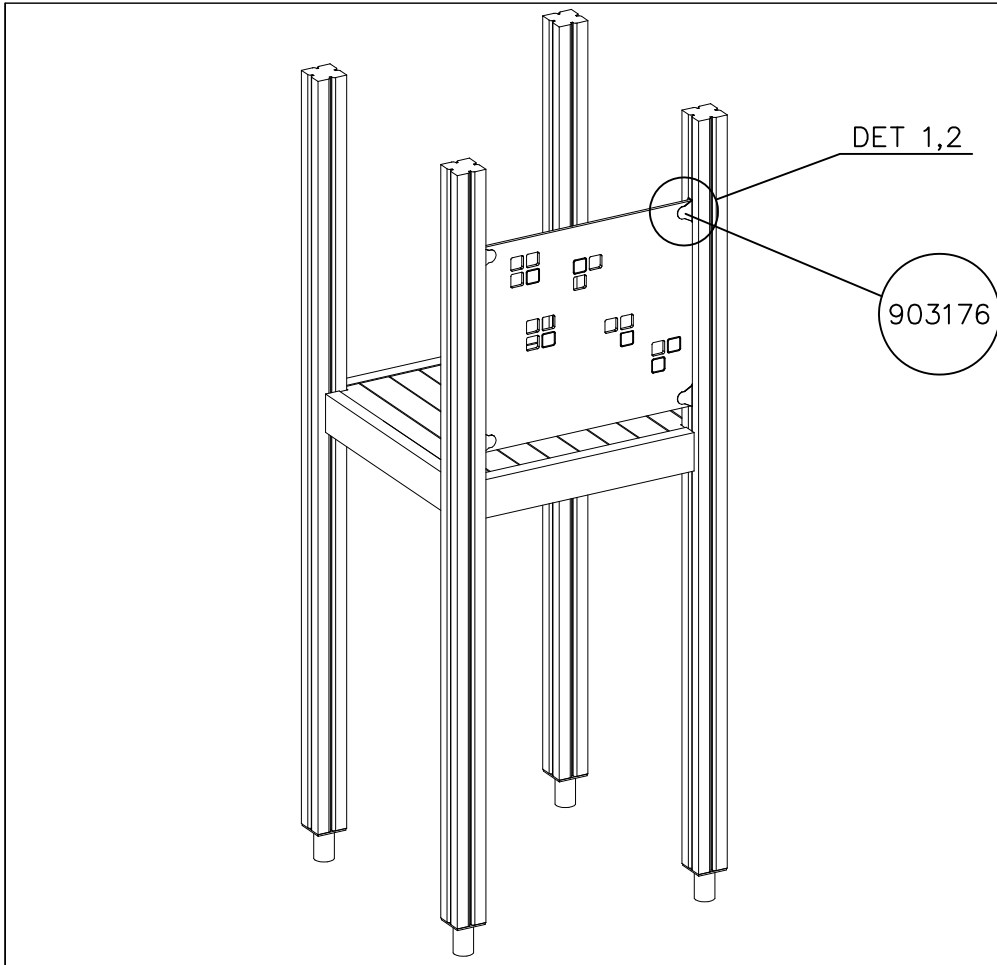


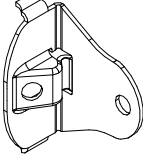
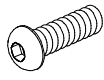
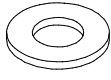
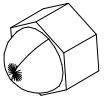

DET 7

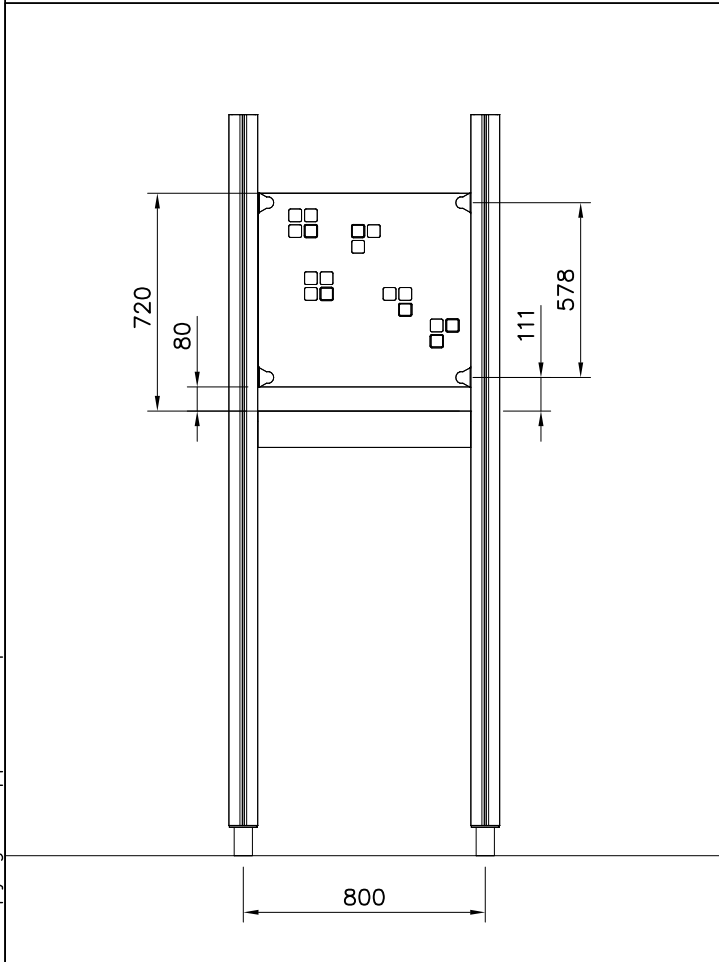


DET 8



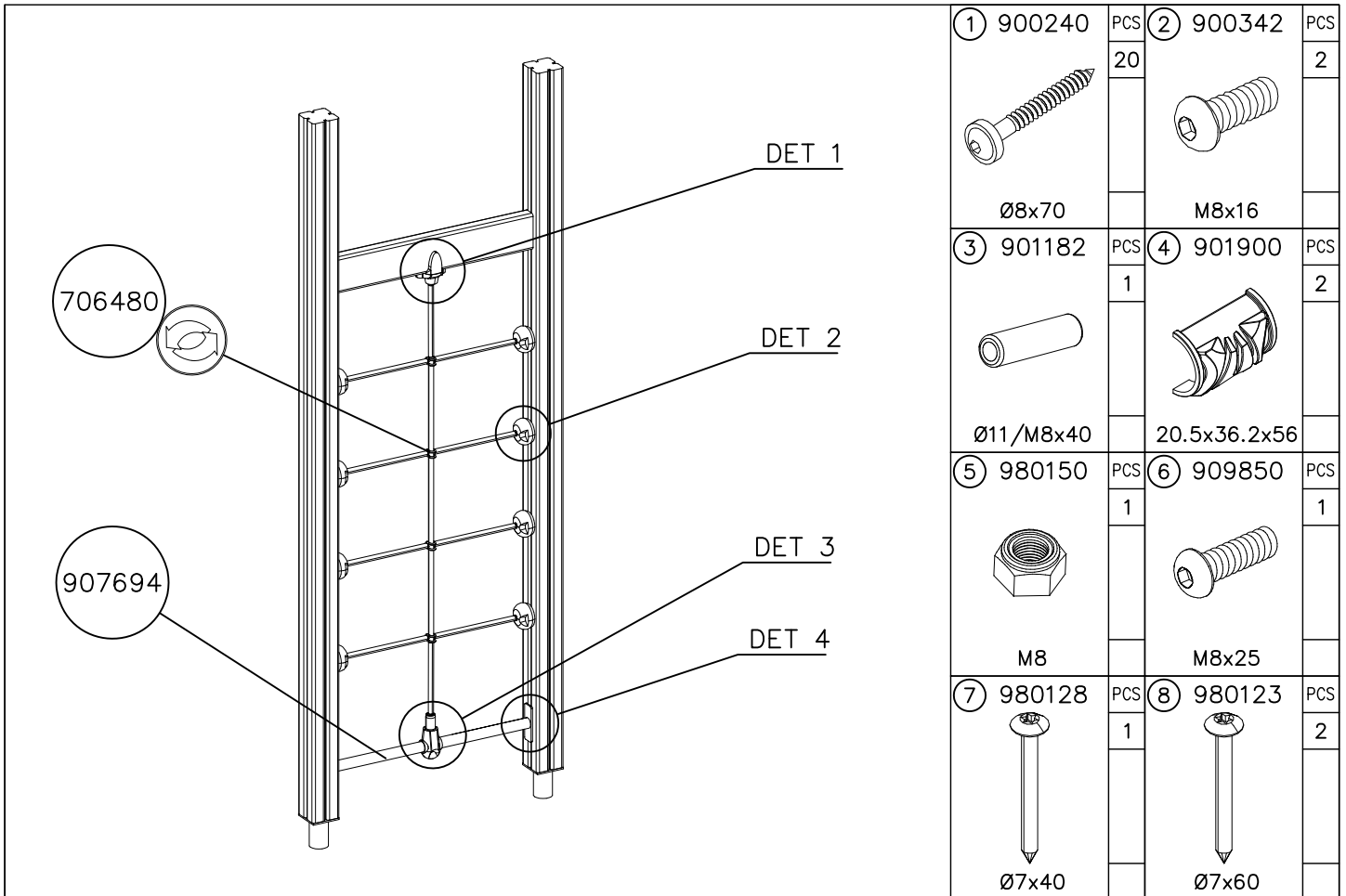


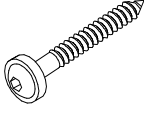
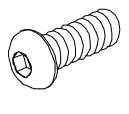
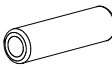

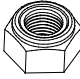
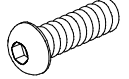


① 903176	PCS	② 909850	PCS
	4		4
		M8x25	
③ 909256	PCS	④ 909633	PCS
	8		4
Ø16/8.4x1.6		M8	
⑤ 980123	PCS		PCS
	4		
Ø7x60			
	PCS		PCS

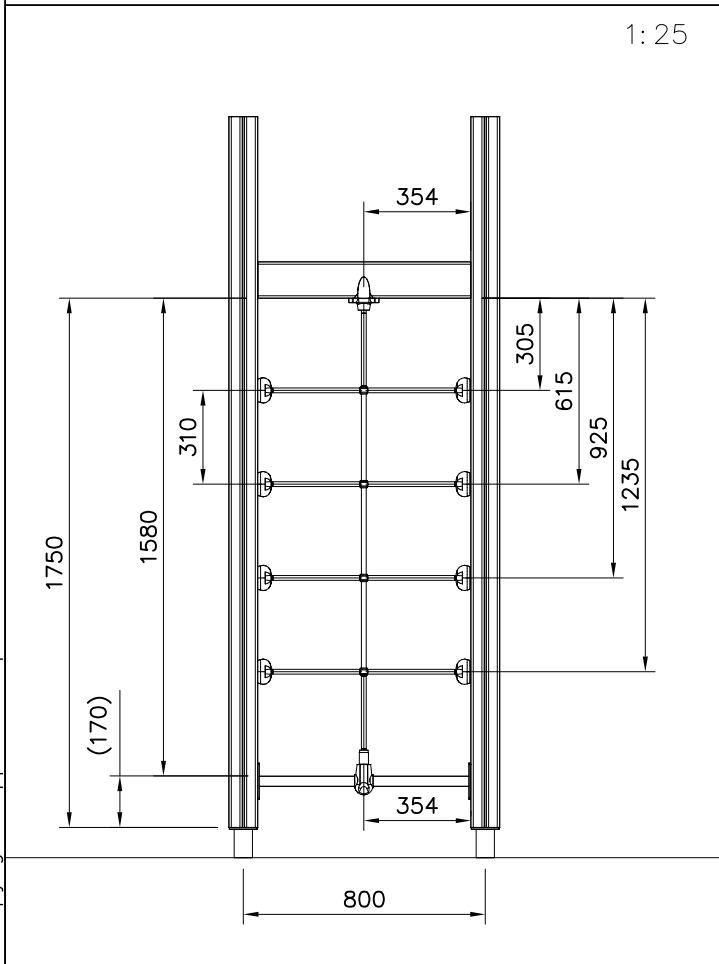


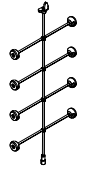
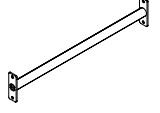







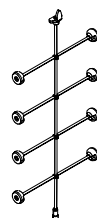
① 900240  Ø8x70	PCS 20	② 900342  M8x16	PCS 2
③ 901182  Ø11/M8x40	PCS 1	④ 901900  20.5x36.2x56	PCS 2
⑤ 980150  M8	PCS 1	⑥ 909850  M8x25	PCS 1
⑦ 980128  Ø7x40	PCS 1	⑧ 980123  Ø7x60	PCS 2



○ 706480  1580x705	PCS 1	○ 907694  L 704	PCS 1
○ 901902  30.7x60.9x100	PCS 2		PCS

NET OPTIONS

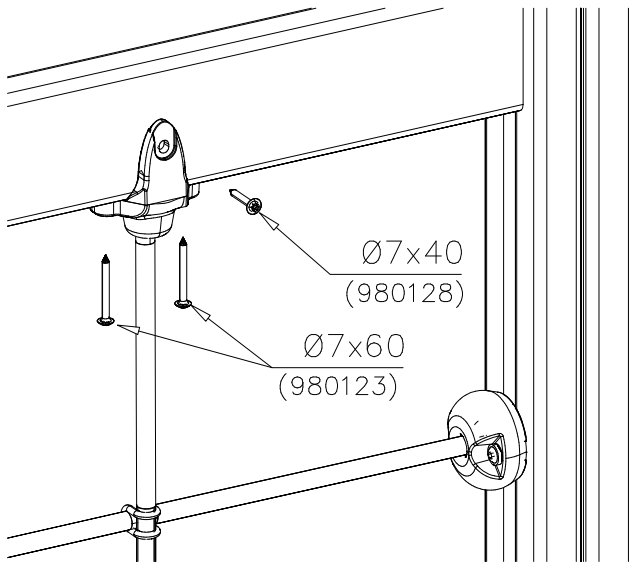
706480



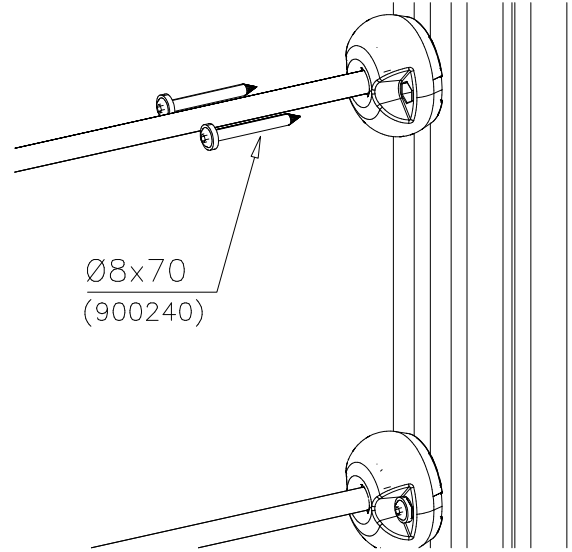
1580x705

- 706480-301 BLUE
- 706480-302 RED
- 706480-303 BEIGE
- 706480-304 GRAY
- 706480-305 BLACK
- 706480-306 YELLOW

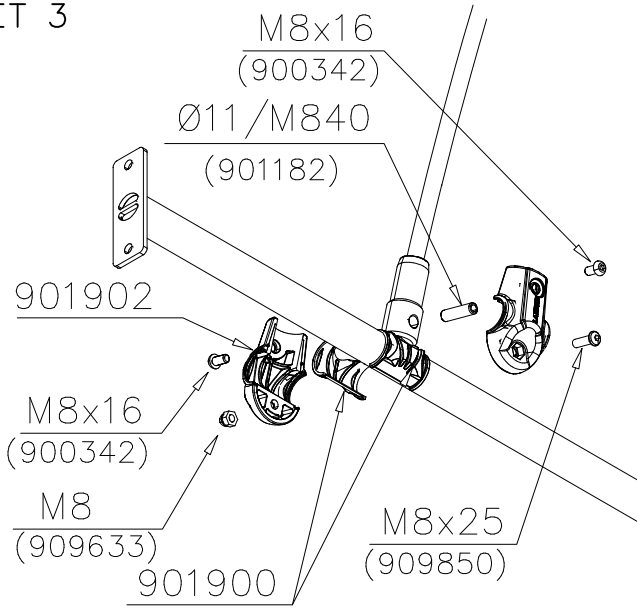
DET 1



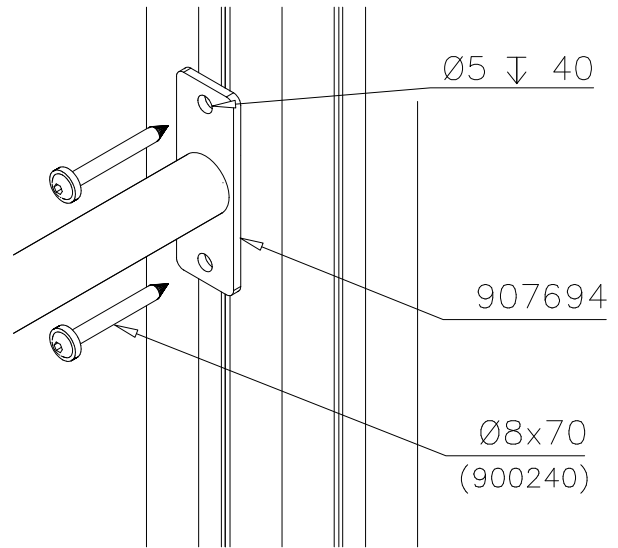
DET 2



DET 3



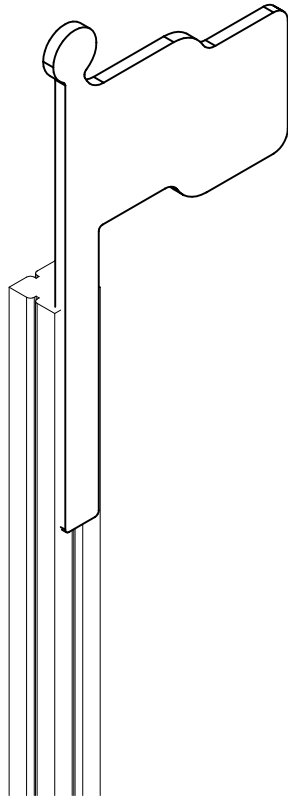
DET 4



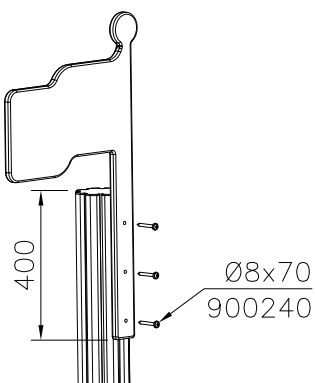



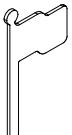
① 900240	PCS	② 900727	PCS
	1		1
Ø8x70		M10x80	
	PCS		PCS
③ 907688	PCS	③ 907701	PCS
	1		1
765		545	
	PCS		PCS
	PCS		PCS
	PCS		PCS
	PCS		PCS

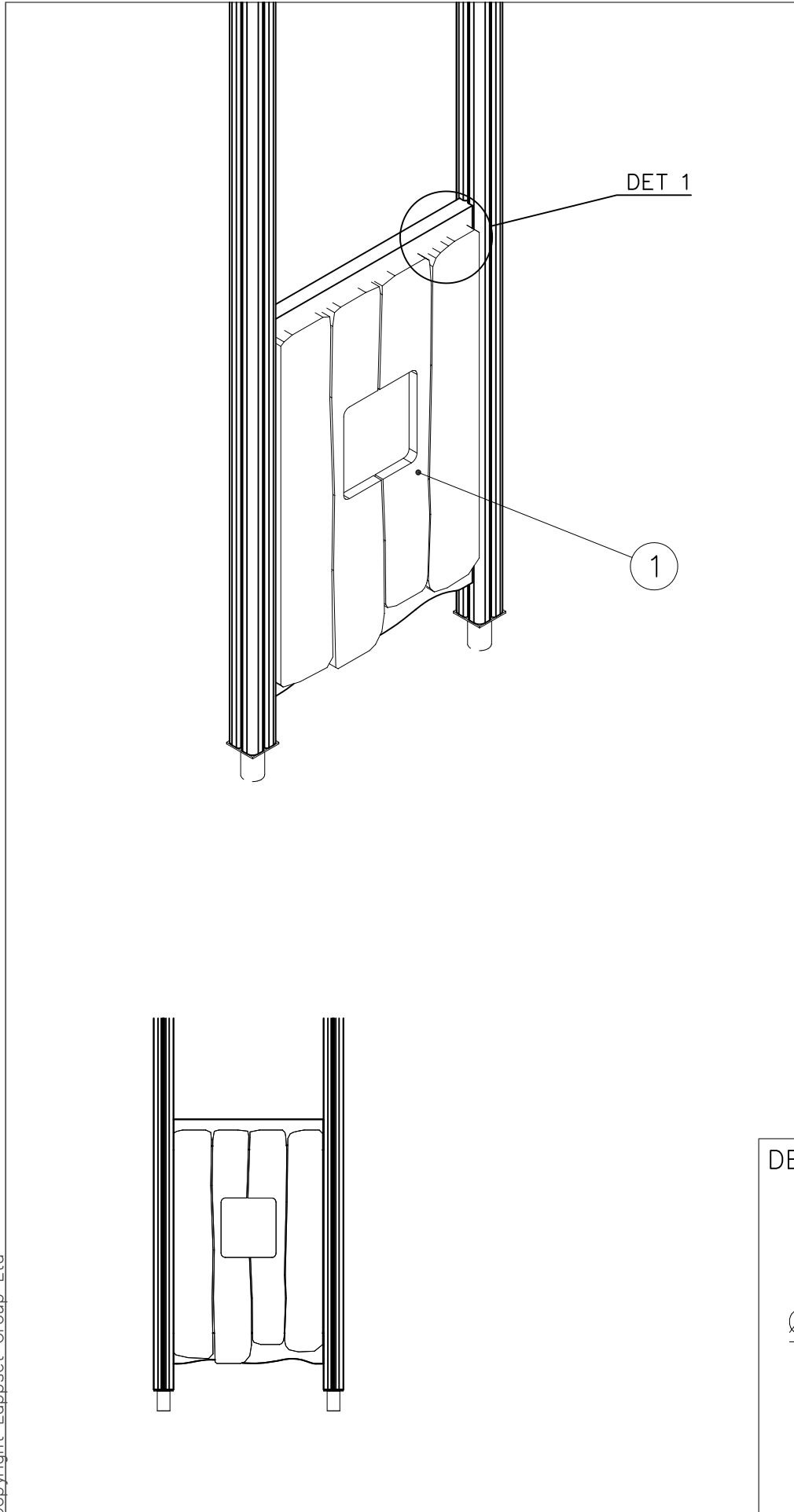


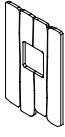
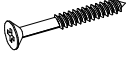


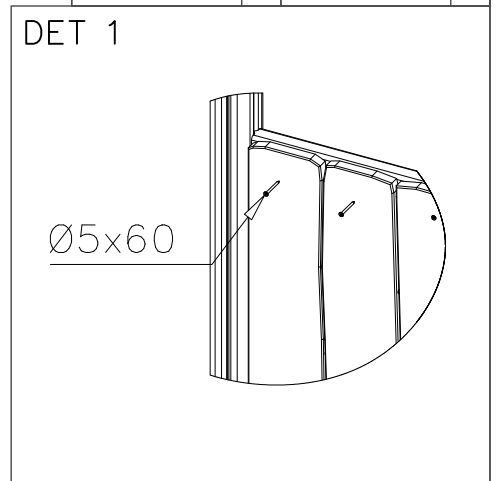
DET 2



① 900240	PCS		PCS
	3		
			
	Ø8x70		
	PCS		PCS
	PCS		PCS
	PCS		PCS
	PCS		PCS
	PCS		PCS
○ 707621	PCS		PCS
	1		
21x489x900			



① 708595	PCS	② 980100	PCS
	1		16
700x1100		Ø5x60	
	PCS		PCS
	PCS		PCS
	PCS		PCS
	PCS		PCS
	PCS		PCS





Tuotekyltti tulee tuotteen mukana yhdellä seuraavista tavoista:

1) Metallinen tuotekyltti ja kiinnitysruuvit

- Kiinnitä tuotekyltti ruuveilla tolppaan noin 2 metrin korkeuteen kuvan 1 mukaisesti.

2) Tuotekylttitarra

- Puhdista maalattu metalli- tai vaneripinta pölystä ja kosteudesta. Liimaa tarra kuvan 2 mukaisesti.
- Huom. Älä kiinnitä tarraa karheapintaiseen laminaattiin tai maalattuun puuhun.

Vår produktmärkning levereras på ett av följande sätt:

1) Produktskylt i metall

- Fäst skylten med de medföljande skruvarna

2) Självhäftande produktetikett

- Rengör den pulverlackerade metallytan eller laminatyten så att den blir fri från smuts och fukt. Fäst etiketten enligt fig. 2.
- Obs! Fäst ej etiketten på detaljer med skrovlig yta eller på målat trä.

Product label is delivered by one of following ways:

1) Metal product label and screws

- Fasten the label with screws.

2) Label sticker

- Clean the painted metal or plywood surface from dirt and moisture. Fasten the sticker as shown in the figure 2.
- Note. Do not attach the sticker to rough surfaced laminate or painted wood.

La plaque d'informations produit est livrée sous l'une de ces 3 formes :

1) Plaque métallique et vis

- Fixez la plaque à l'aide des vis.

2) Etiquette autocollante

- Avant de coller l'étiquette, nettoyez le composant métallique peint ou la plaque de contreplaqué, de toute saleté. La surface doit être sèche (voir image 2).
- Attention, ne pas coller l'étiquette sur une surface lamellé-collée irrégulière ou sur du bois peint.

Die Auslieferung des Produktaufklebers erfolgt auf eine dieser Arten:

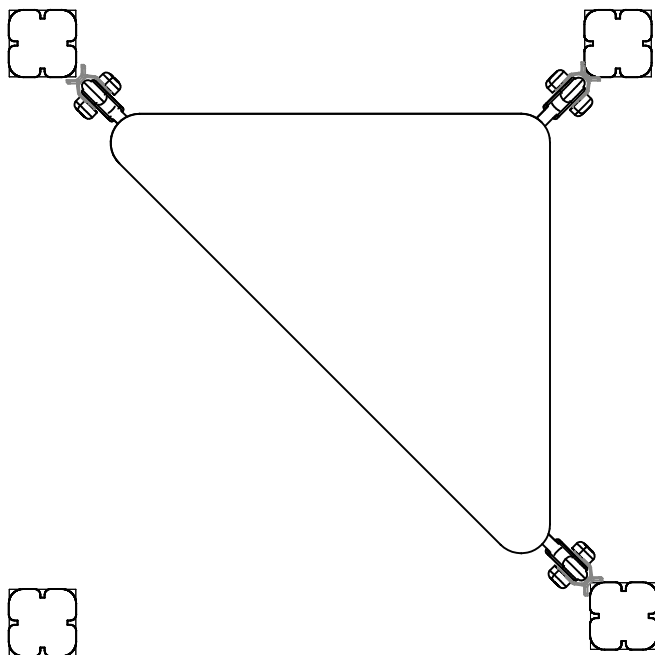
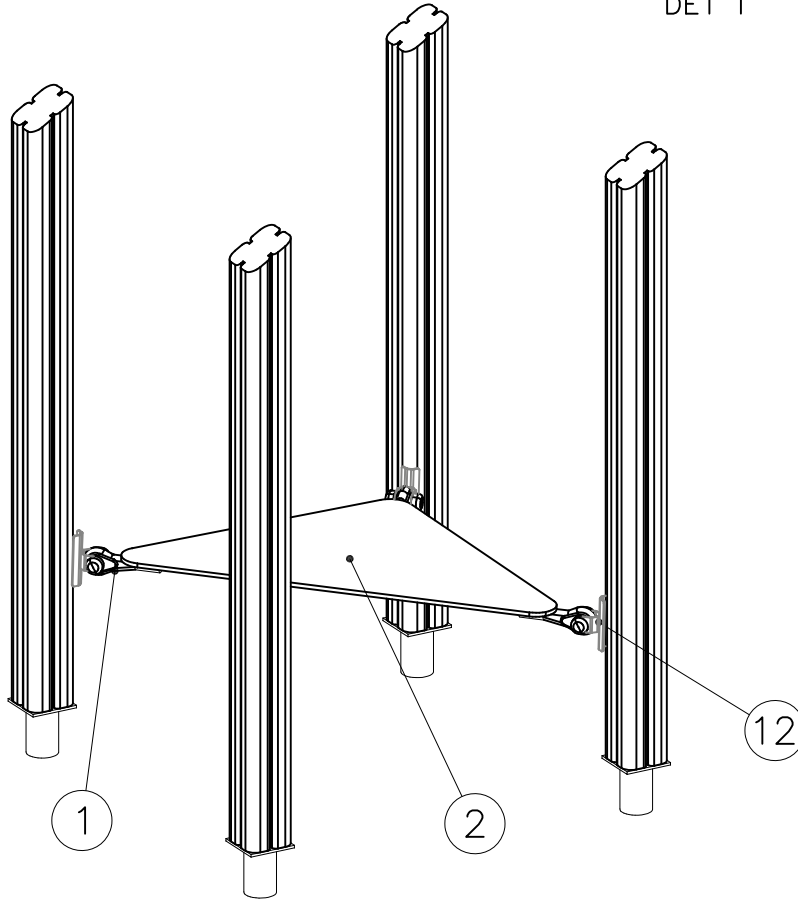
1) Produkt-Schild aus Metall incl. Schrauben


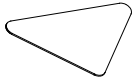


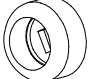
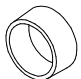
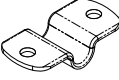




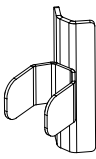


- Die Befestigung des Schildes erfolgt mittels der Schrauben.

2) Aufkleber

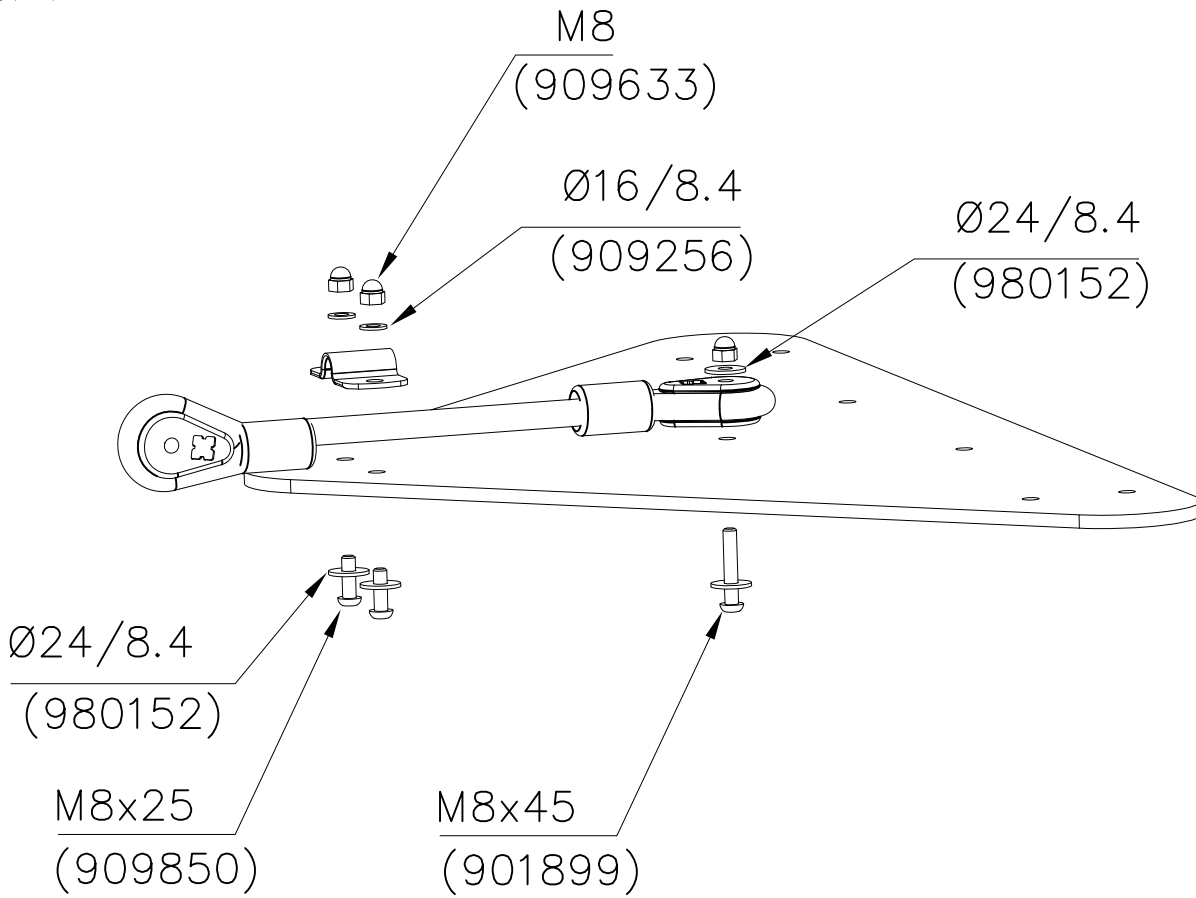
- Entfernen Sie zunächst Schmutz und Feuchtigkeit vom lackierten Metall bzw. von der Holzoberfläche und bringen Sie den Aufkleber wie im Bild oben rechts beschrieben auf den gesäuberten Untergrund auf.
- Beachten Sie: Bringen Sie den Aufkleber nicht auf raues laminiertes oder lackiertes Holz an.

DET 1

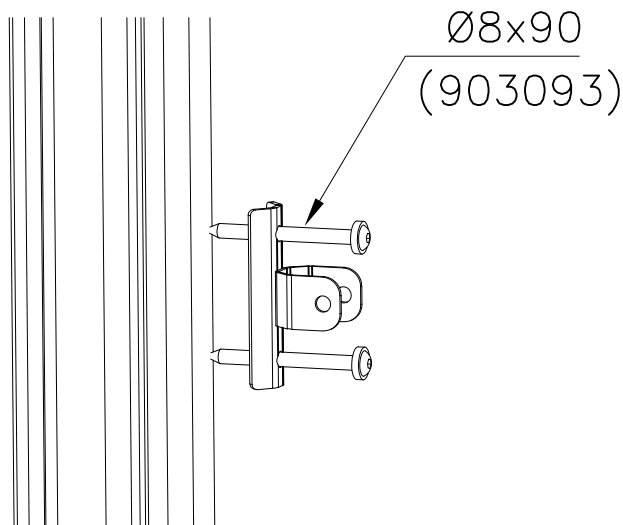


① 708257	PCS 3	② 708943	PCS 1
			
Ø16x350		8x694x694	
③ 901899	PCS 3	④ 903093	PCS 6
			
M8x45		Ø8x90	
⑤ 905083	PCS 6	⑥ 905112	PCS 6
			
Ø32		Ø22	
⑦ 908295	PCS 3	⑧ 909256	PCS 12
			
82x40x17x3		Ø16/8.4	
⑨ 909568	PCS 3	⑩ 909633	PCS 9
			
M8x55		M8	
⑪ 909850	PCS 6	⑫ 910759	PCS 3
			
M8x25			
⑬ 980152	PCS 12	⑭ 980160	PCS 3
			
Ø24/8.4		M8	

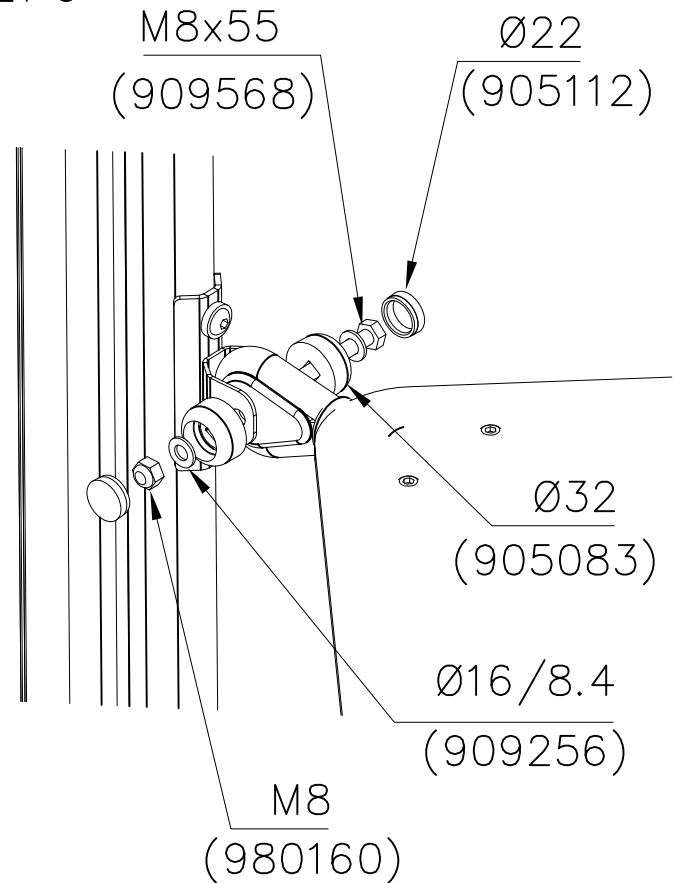
DET 1

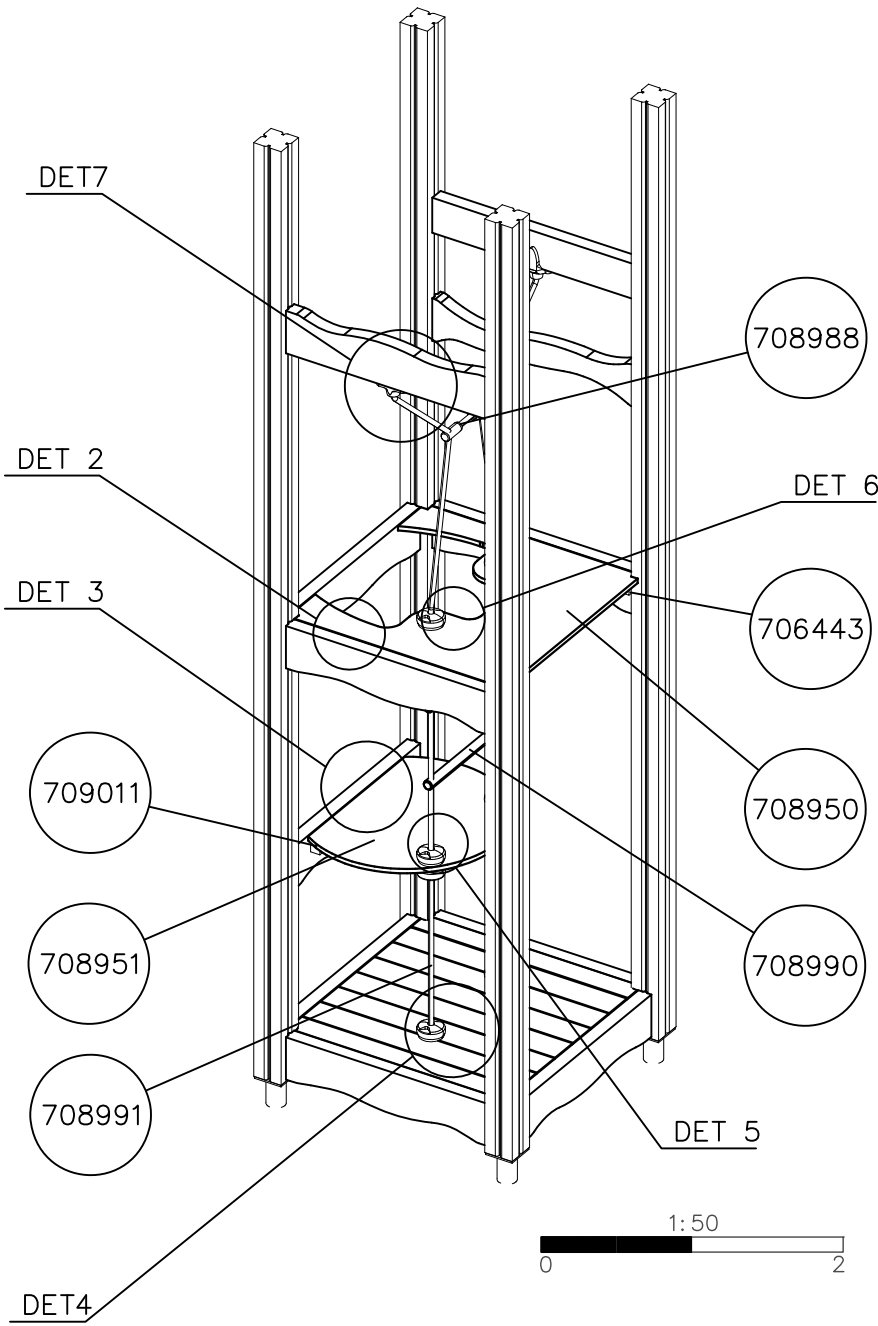


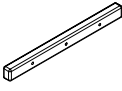
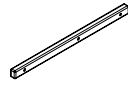

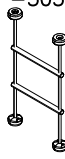


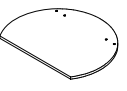



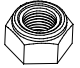
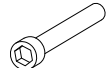
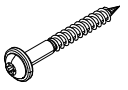

DET 2

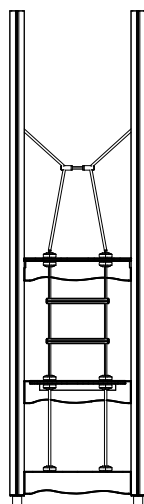
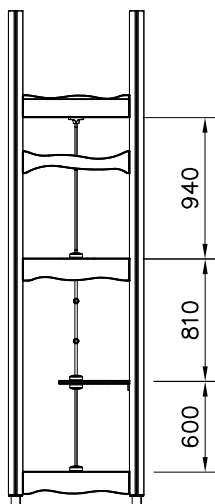


DET 3

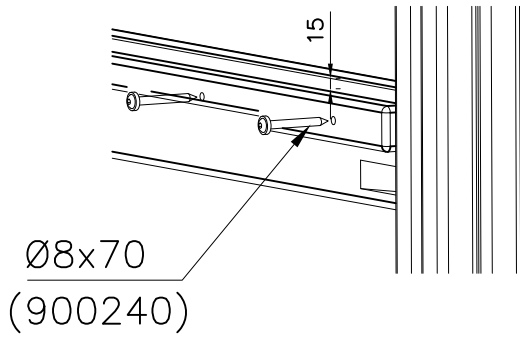




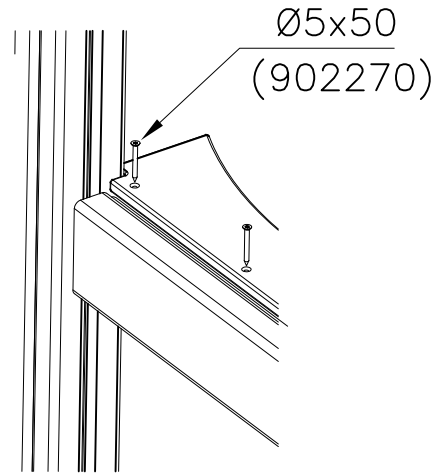
①	709011	PCS	②	706443	PCS
		1			2
	32x95x502			32x95x702	
③	708988 -303	PCS	④	708990 -303	PCS
		1			1
	Ø16x1100			Ø16x795	
⑤	708991 -303	PCS	⑥	708950 -707	PCS
		2			1
	Ø16x575			15x750x750	
⑦	708951 -707	PCS	⑧	902270	PCS
		1			8
	Ø650x15			Ø5x50	
⑨	980123	PCS	⑩	901302	PCS
		8			4
	Ø7x60			Ø20/10.5x2	
⑪	980150	PCS	⑫	909863	PCS
		8			8
	M8			M8x65	
⑬	900240	PCS	⑭	980128	PCS
		9			5
	Ø8x70			Ø7x40	



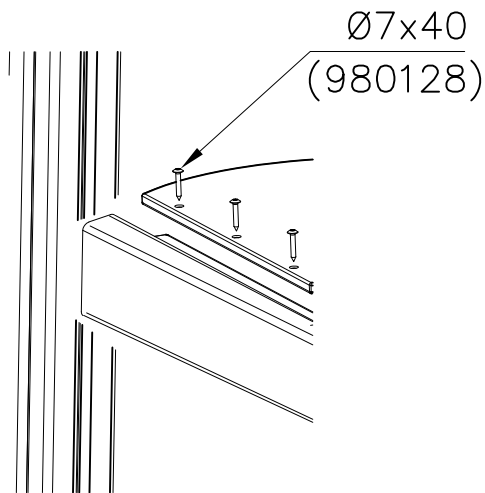
DET 1



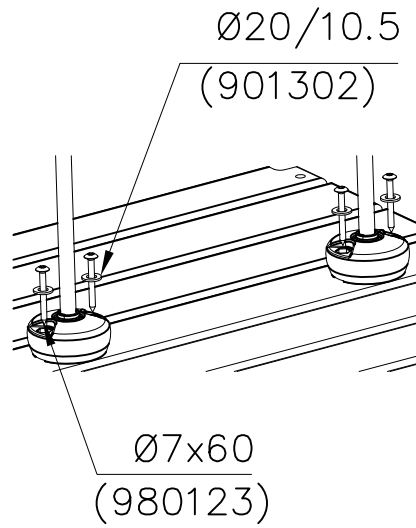
DET 2



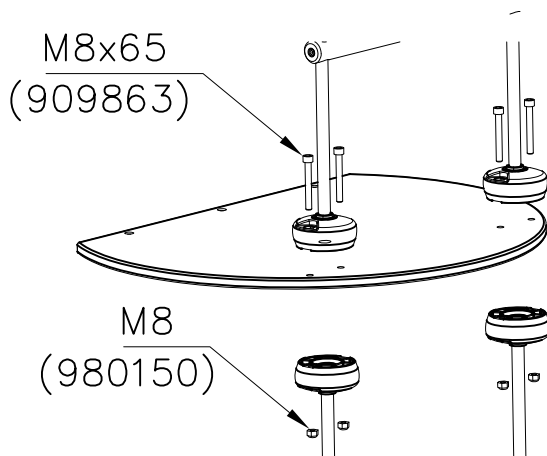
DET 3



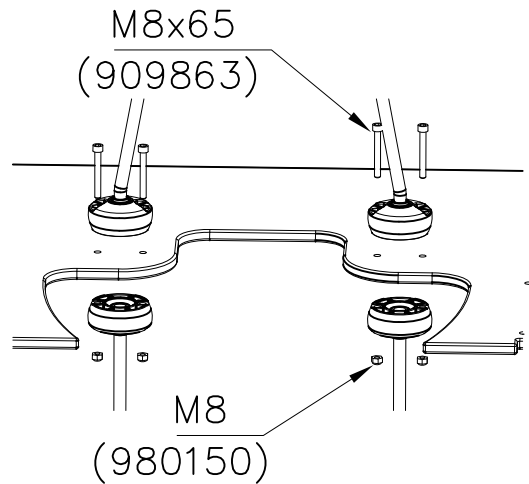
DET 4



DET 5



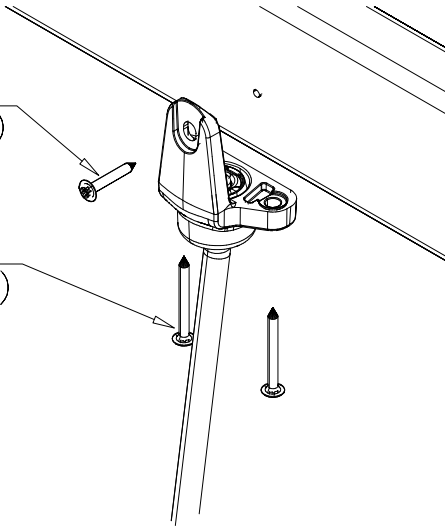
DET 6

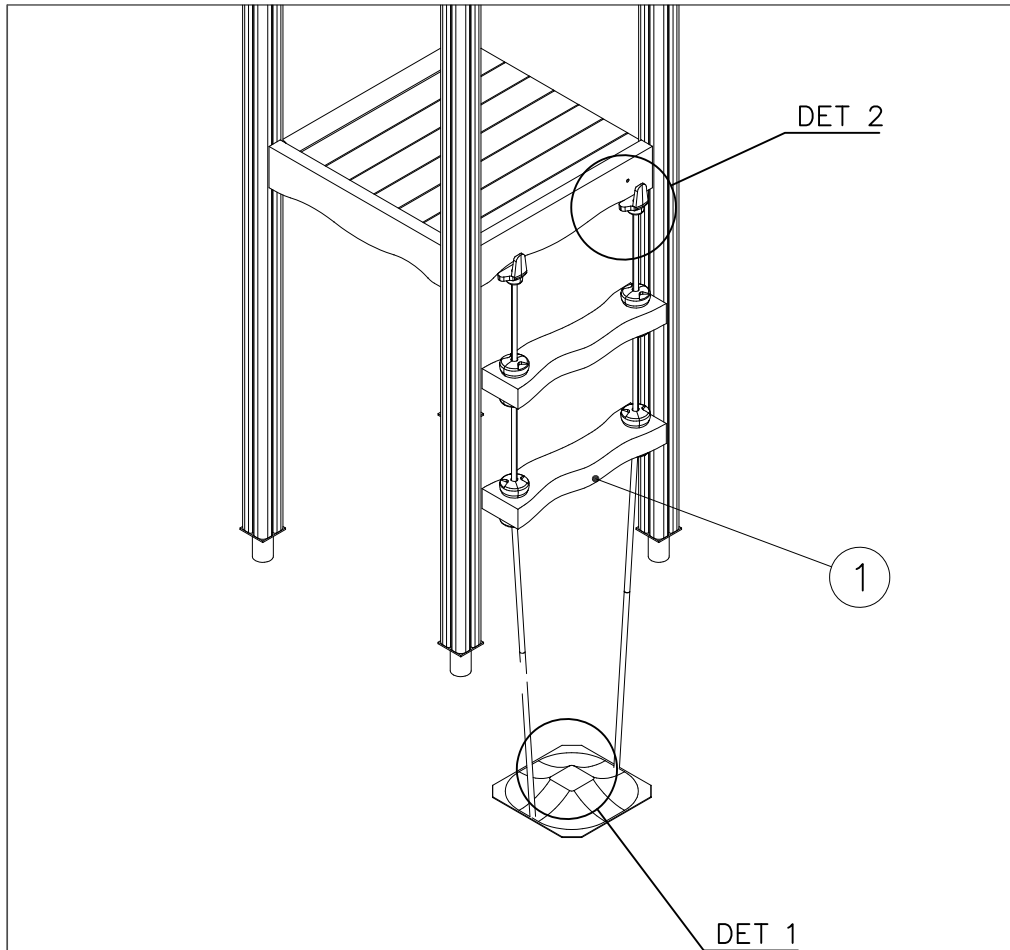


DET 7

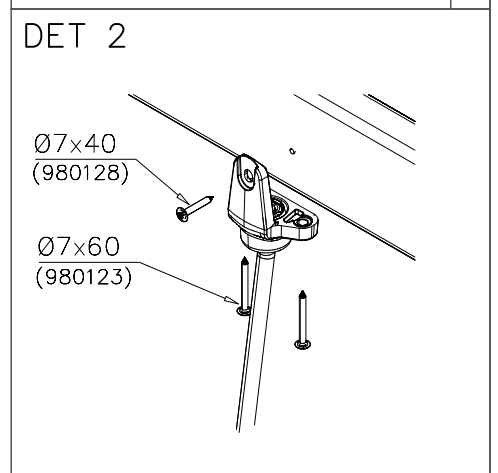
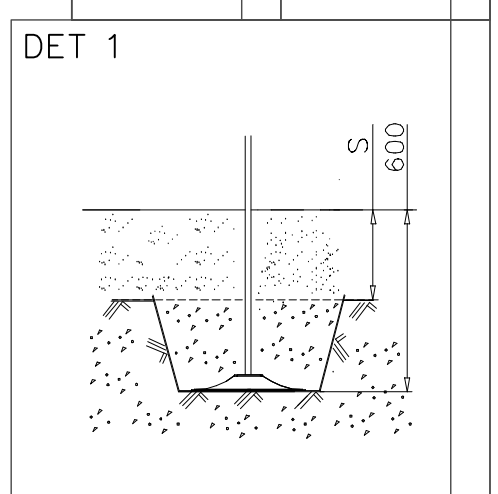
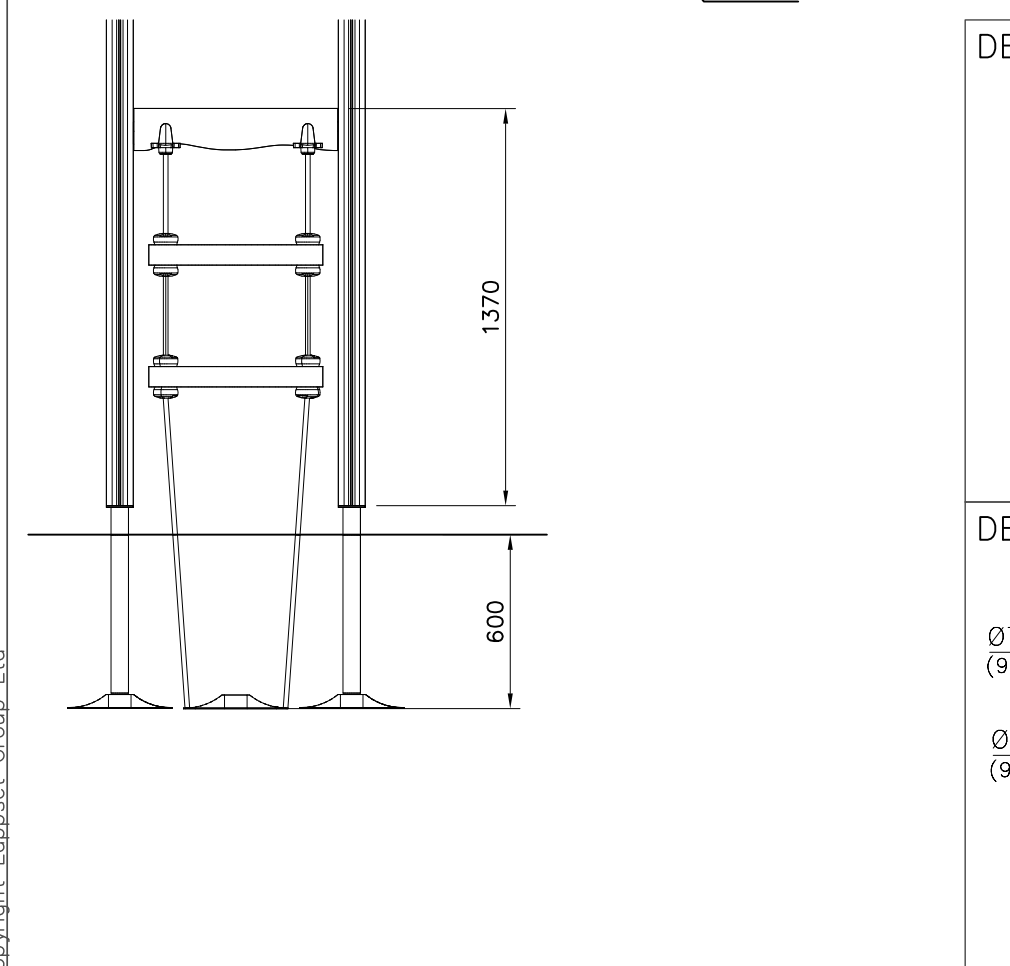
Ø7x40
(980128)

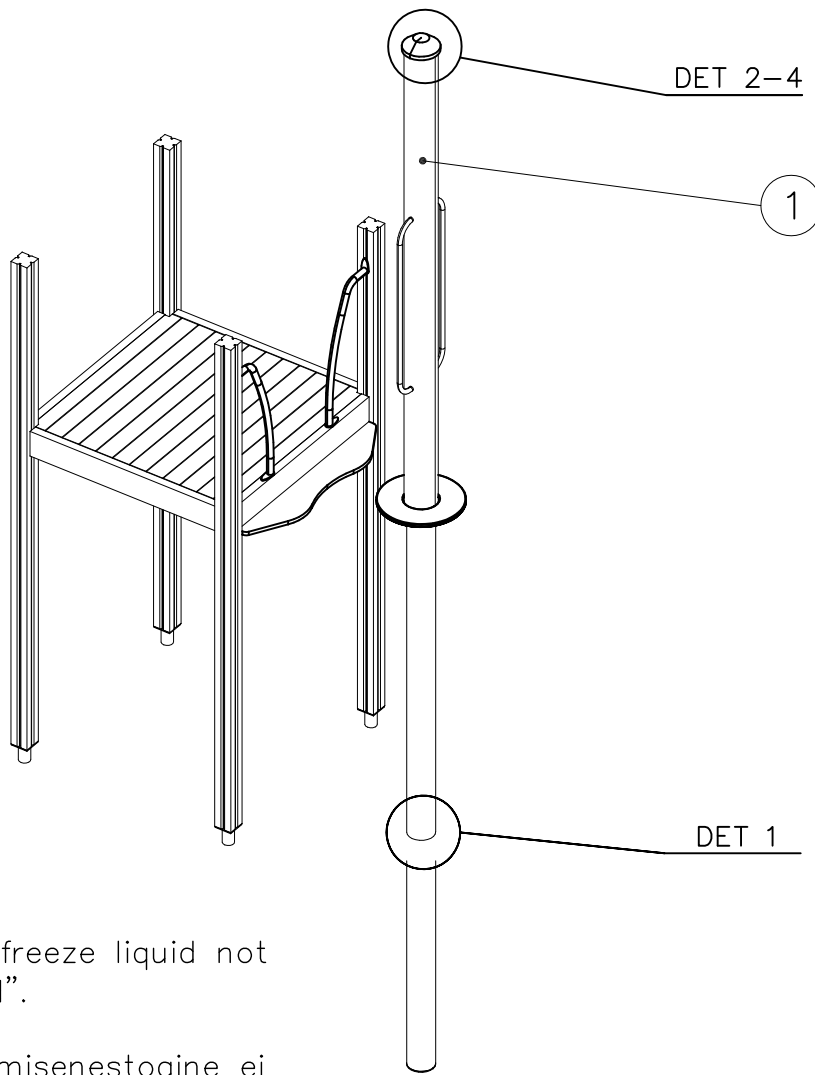
Ø7x60
(980123)






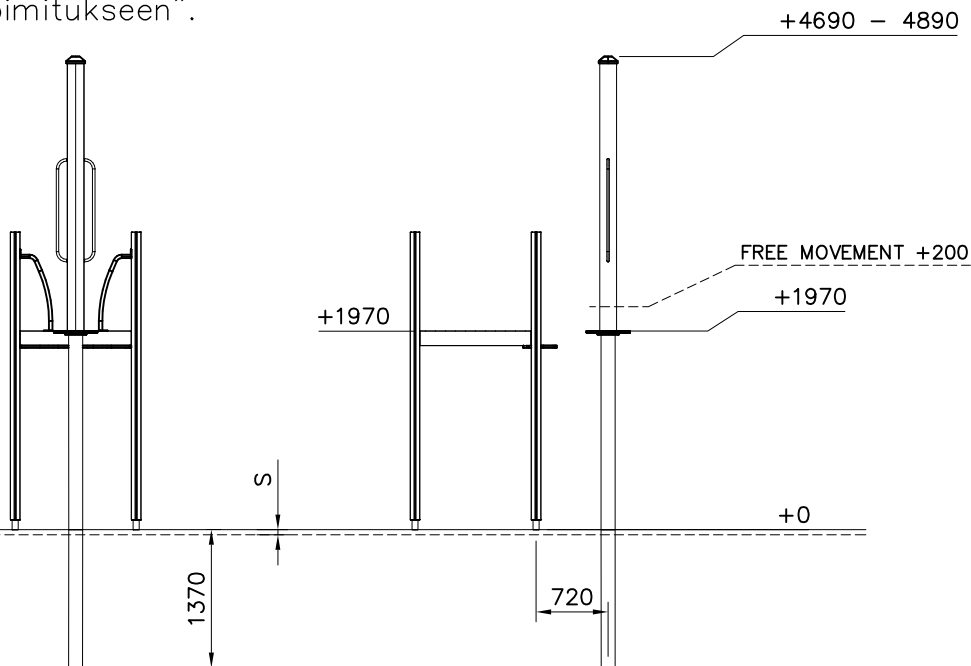
① 708923	PCS	② 980123	PCS
	1		4
		Ø7x60	
③ 980128	PCS		PCS
	2		
Ø7x40			
	PCS		PCS
	PCS		PCS



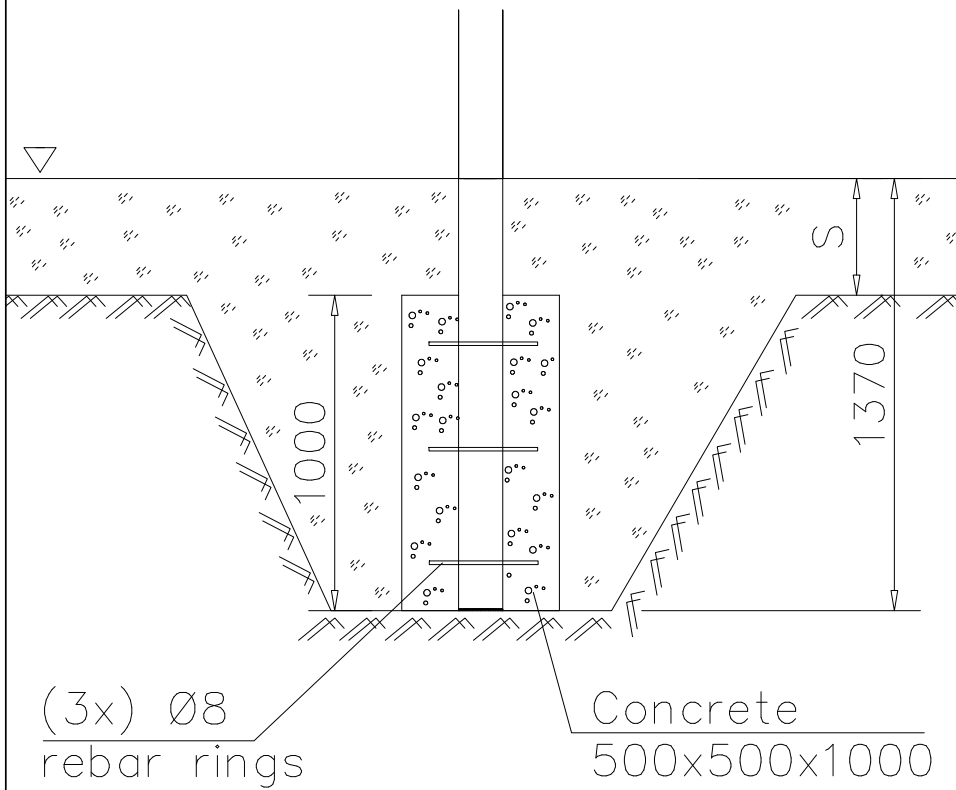


① 703703	PCS		PCS
	1		
L 4600			
	PCS		PCS
	PCS		PCS
	PCS		PCS

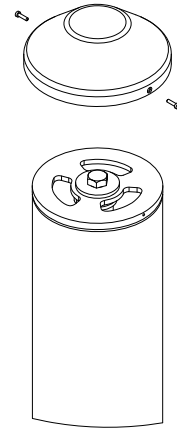
Note:
" Anti-freeze liquid not included".
Huom!
" Jäätymisenestoaine ei kuulu toimitukseen".



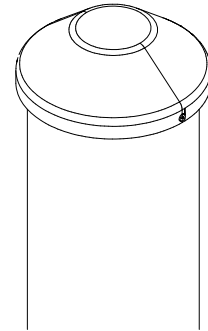
DET 1



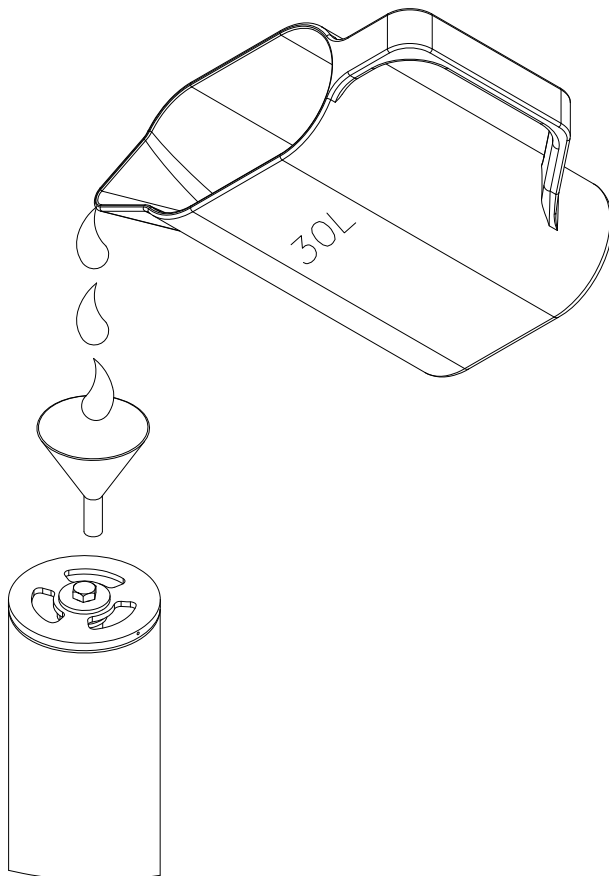
DET 2



DET 3



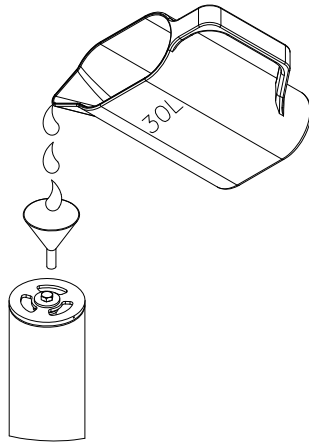
DET 4



DET 5

DET 6

(DET 4)

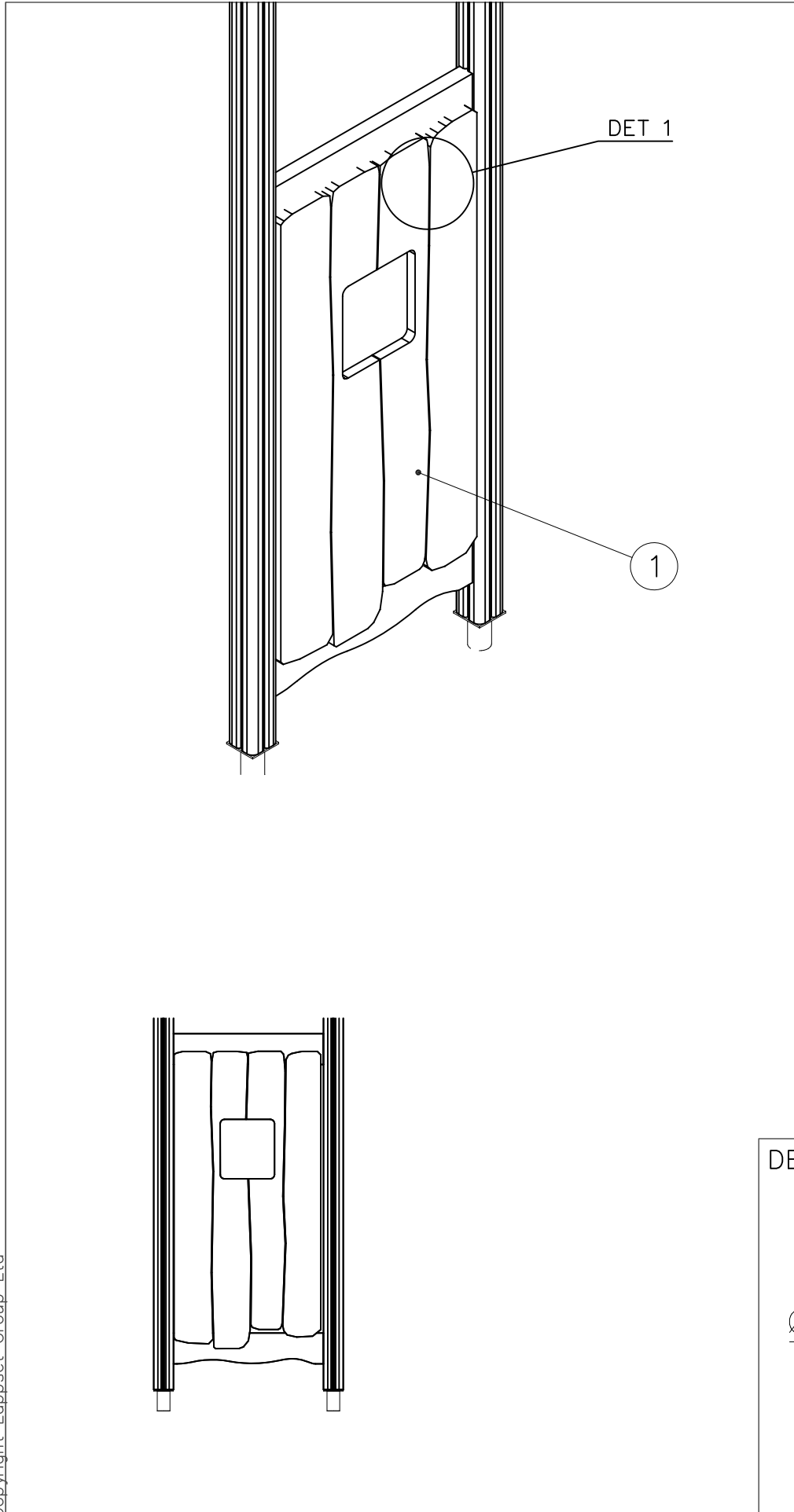


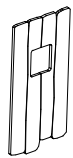

HUOM:

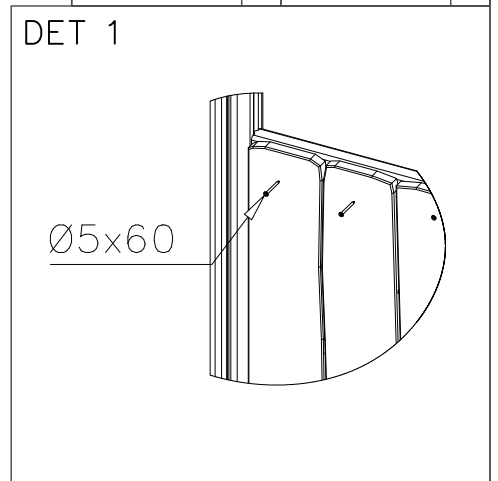
Täytä nestetila rauhallisesti alumiinille soveltuvan jäähdytysnesteen ja veden seoksella. Noudata seostuksessa jäähdytysnesteen valmistajan ohjeita paikallisiin pakkasolosuhteisiin. Nesteen kokonaismäärä on noin 30 L. Aloita lisäämällä nesteestä suurin osa, mutta jätä noin 5 litraa kokonaismäärästä lisäämättä. Lisää nestettä vähitellen vapauttaen liikkuva osa välillä nähdäksesi nousukorkeuden. Lisää nestettä kunnes liikkuva taso nousee annettuun korkeuteen tai hieman (1-3cm) korkeammalle. Kiinnitä laitteen kansi, suorita vähintään 10 koelaskua ja huuhtelee lopuksi laitteen runko mahdollisesti yliroiskuneesta nesteestä.

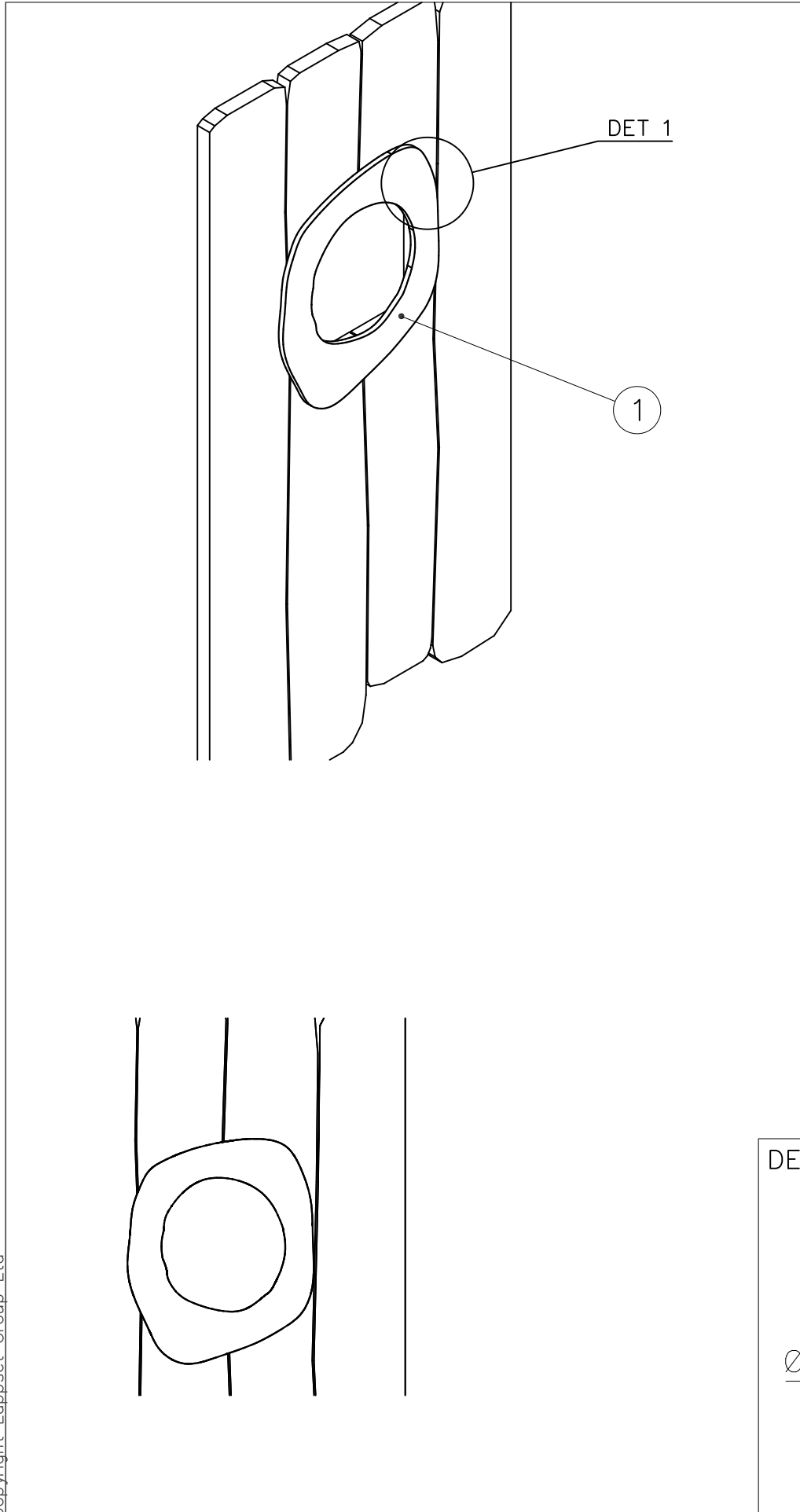
NOTE:

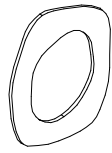

Fill the liquid chamber calmly with aluminium friendly radiator coolant and water. Follow the manufacturer's instructions for the formulation of coolant, taking into account local freezing conditions. The total volume is about 30 L. Start by adding the majority of the liquid, but leave approximately five (5) liters of space. Gradually add the remaining liquid while monitoring and releasing the moving part and taking care to ensure proper boom height. Add fluid until the level reaches a height that is level or slightly higher (1-3 cm) than given. Attach the cover and perform at least ten (10) test rides to ensure that equipment is functioning properly. Rinse and clean product to remove any residual fluid that may have been left behind.

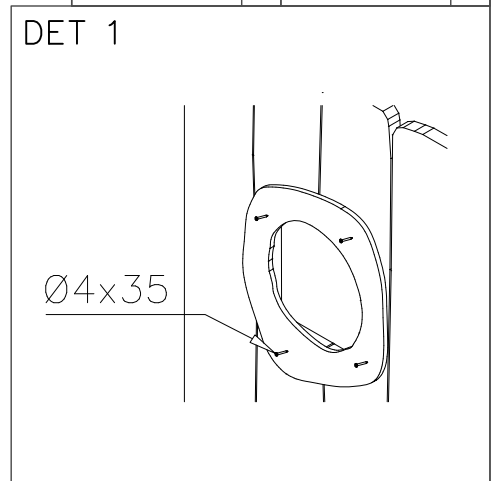


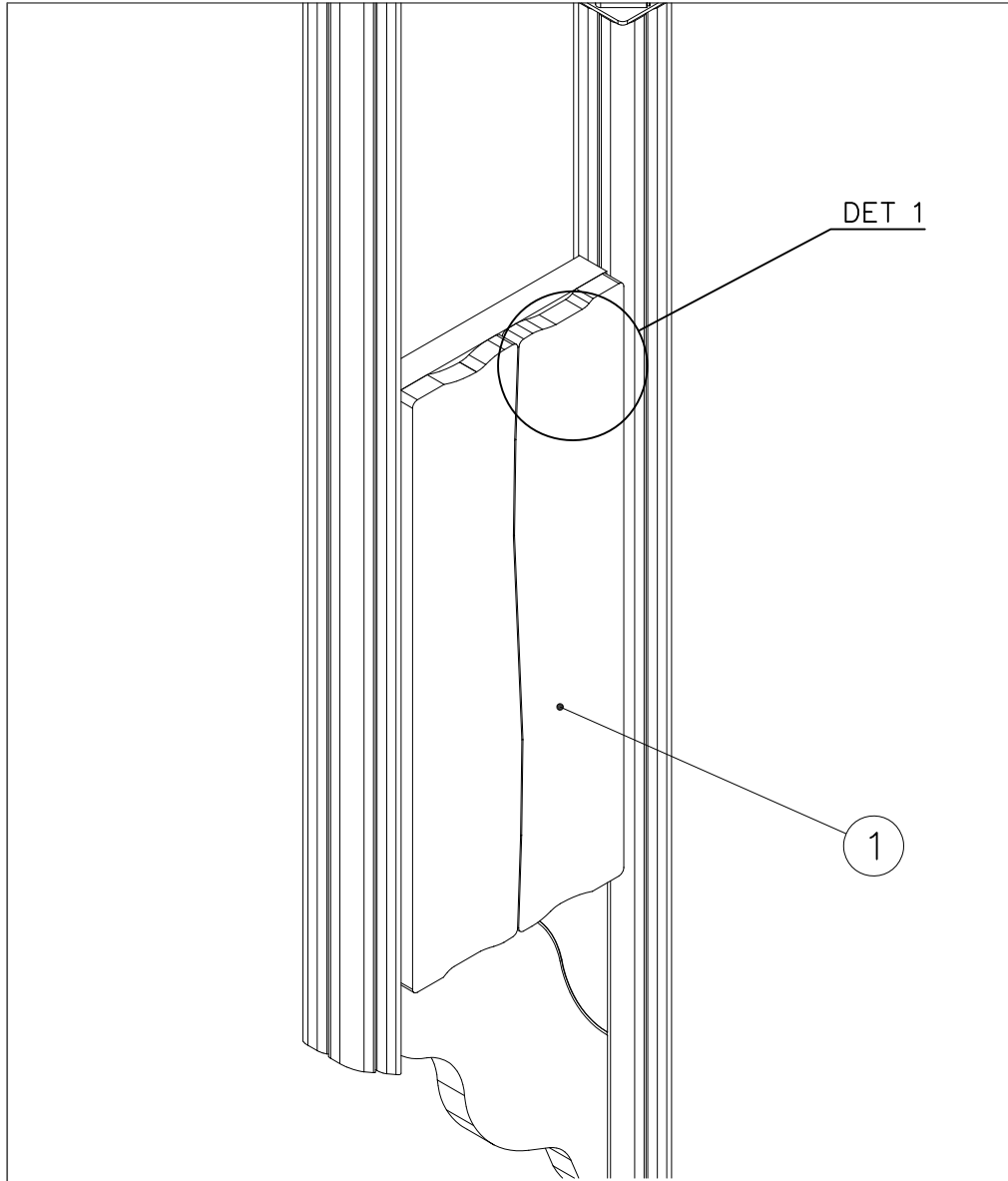
① 708407	PCS	② 980100	PCS
	1		16
700x1400		Ø5x60	
	PCS		PCS
	PCS		PCS
	PCS		PCS
	PCS		PCS

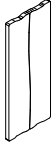
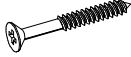




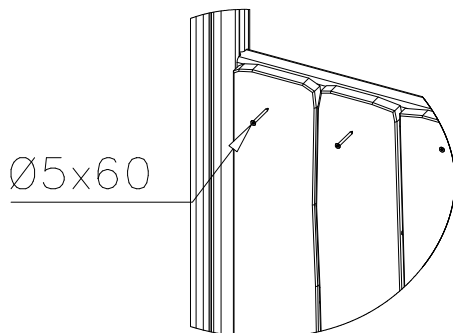
① 708473	PCS	② 980110	PCS
	1		4
		Ø4x35	
	PCS		PCS
	PCS		PCS
	PCS		PCS
	PCS		PCS

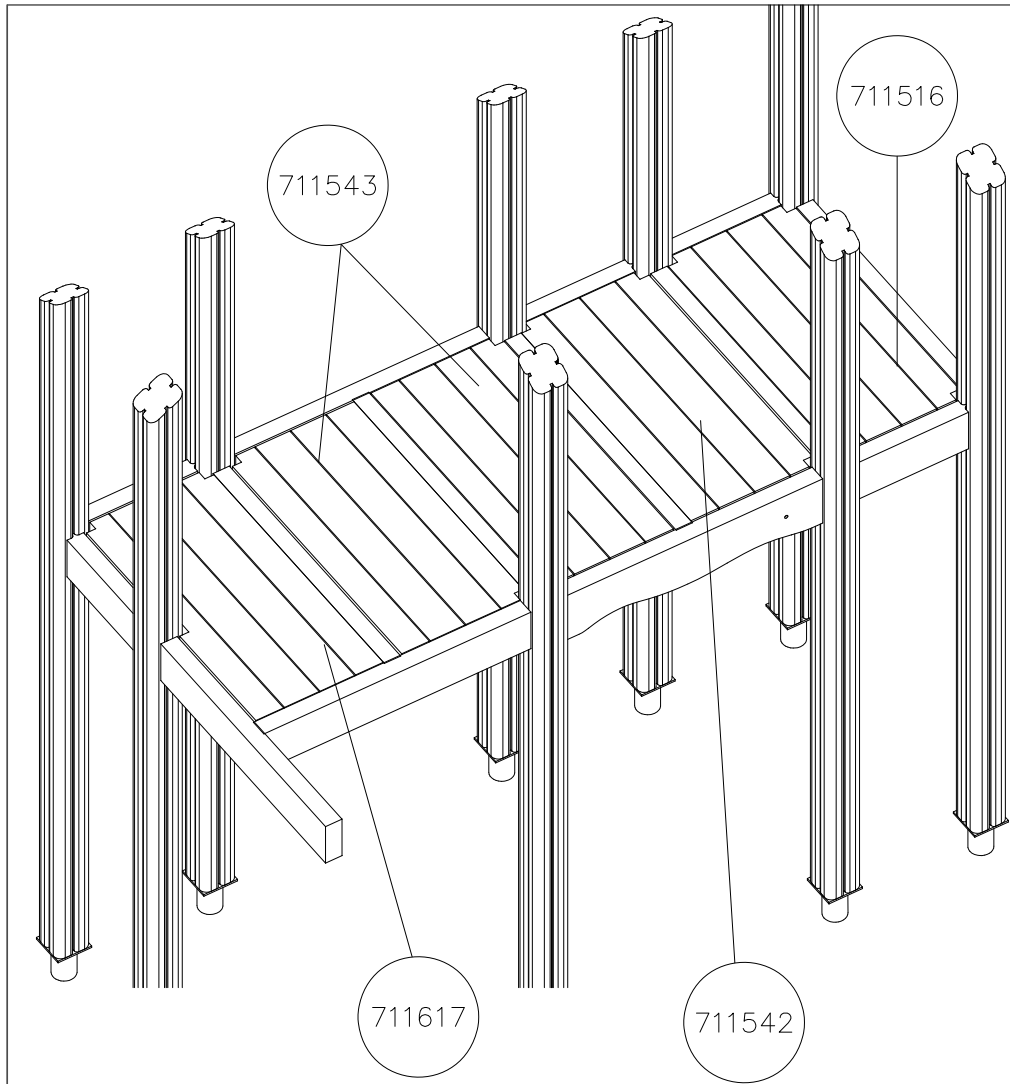


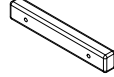

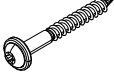


① 709037	PCS	② 980100	PCS
	1		8
28x350x850		Ø5x60	
	PCS		PCS
	PCS		PCS
	PCS		PCS

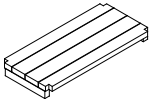
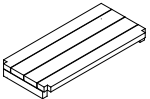
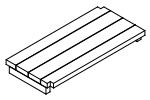
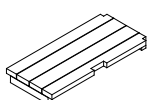
DET 1



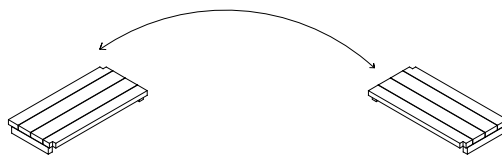


① 709858	PCS	② 980101	PCS
	2		4
32x45x290		Ø4.5x70	
③ 900240	PCS		PCS
	4		
Ø8x70			

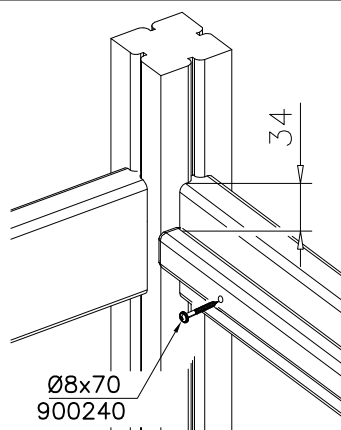
FLOOR OPTIONS

○ 711516	PCS	○ 711542	PCS
	1		1
○ 711543	PCS	○ 711617	PCS
	1		1
	PCS		PCS

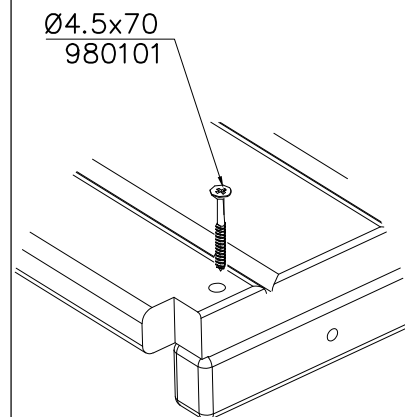
ATT ! You can turn the floorplate if needed !

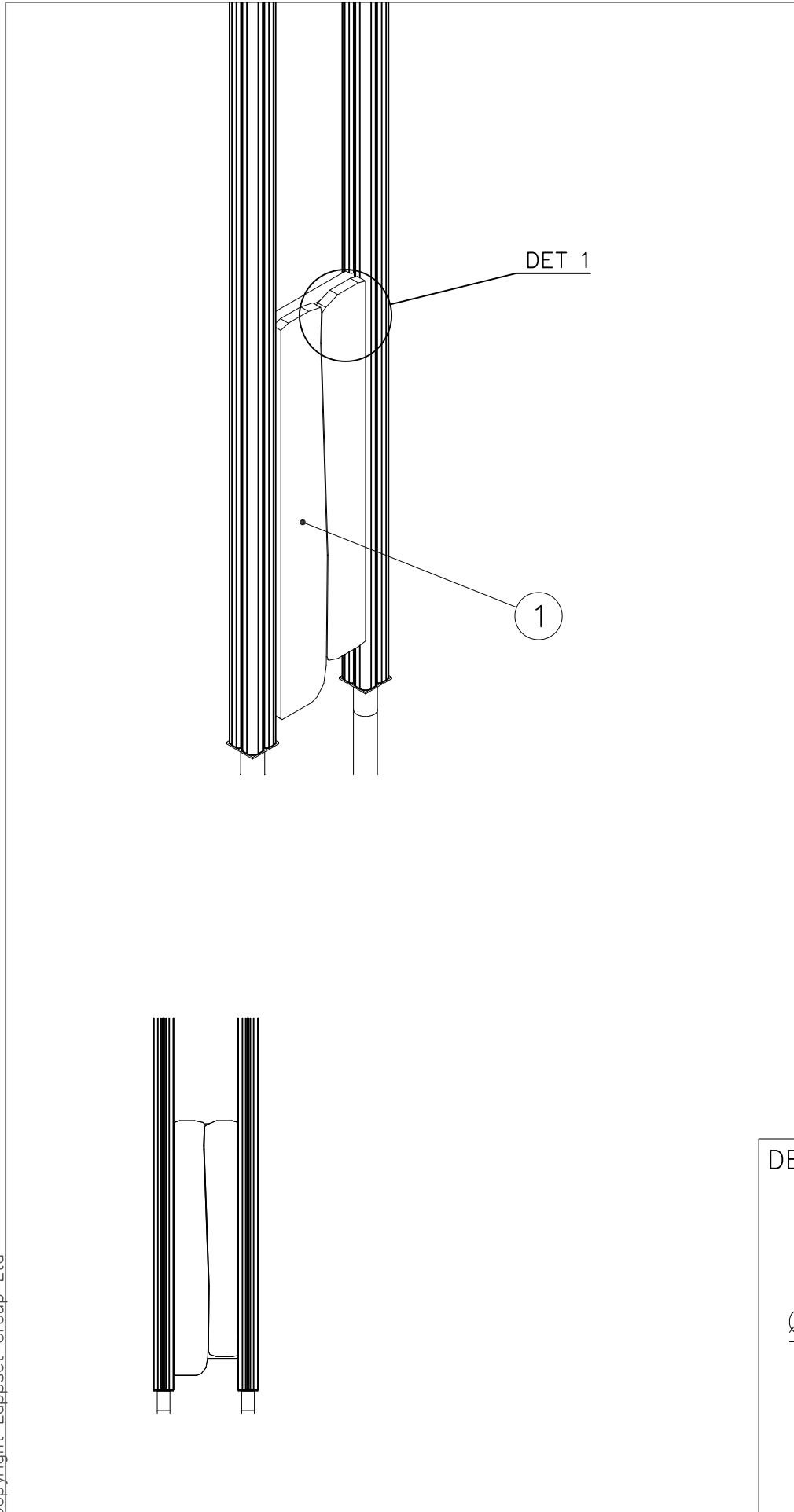




DET 1

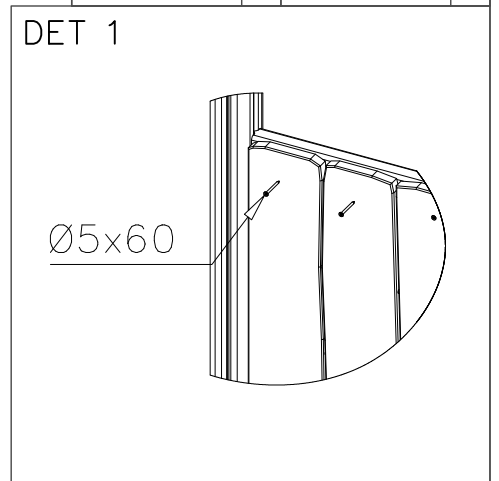


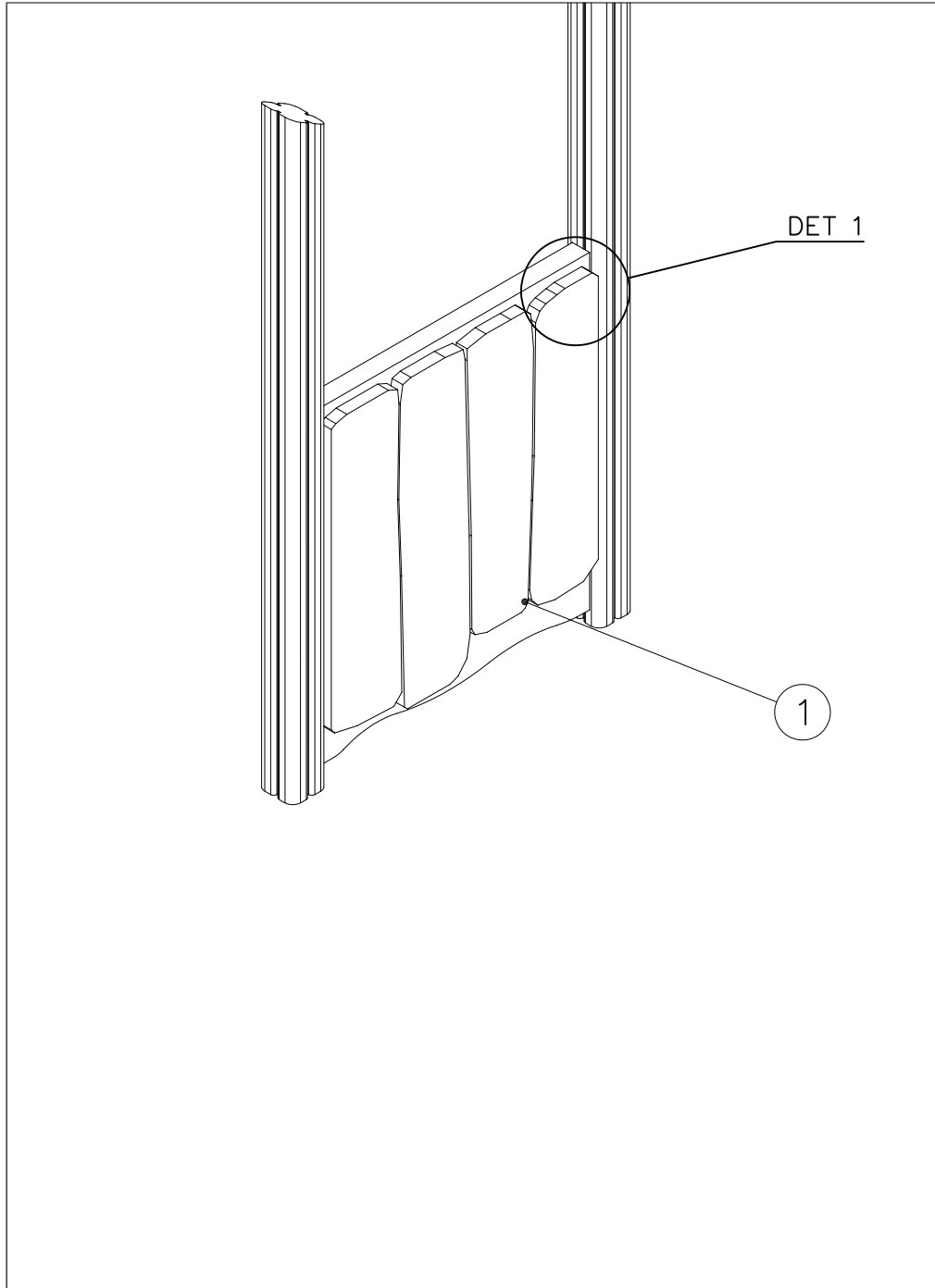
DET 2

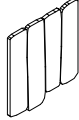
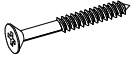




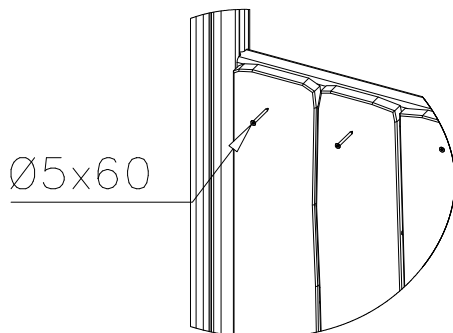
① 709896	PCS	② 980100	PCS
	1		12
28x300x1200		Ø5x60	
	PCS		PCS
	PCS		PCS
	PCS		PCS
	PCS		PCS
	PCS		PCS



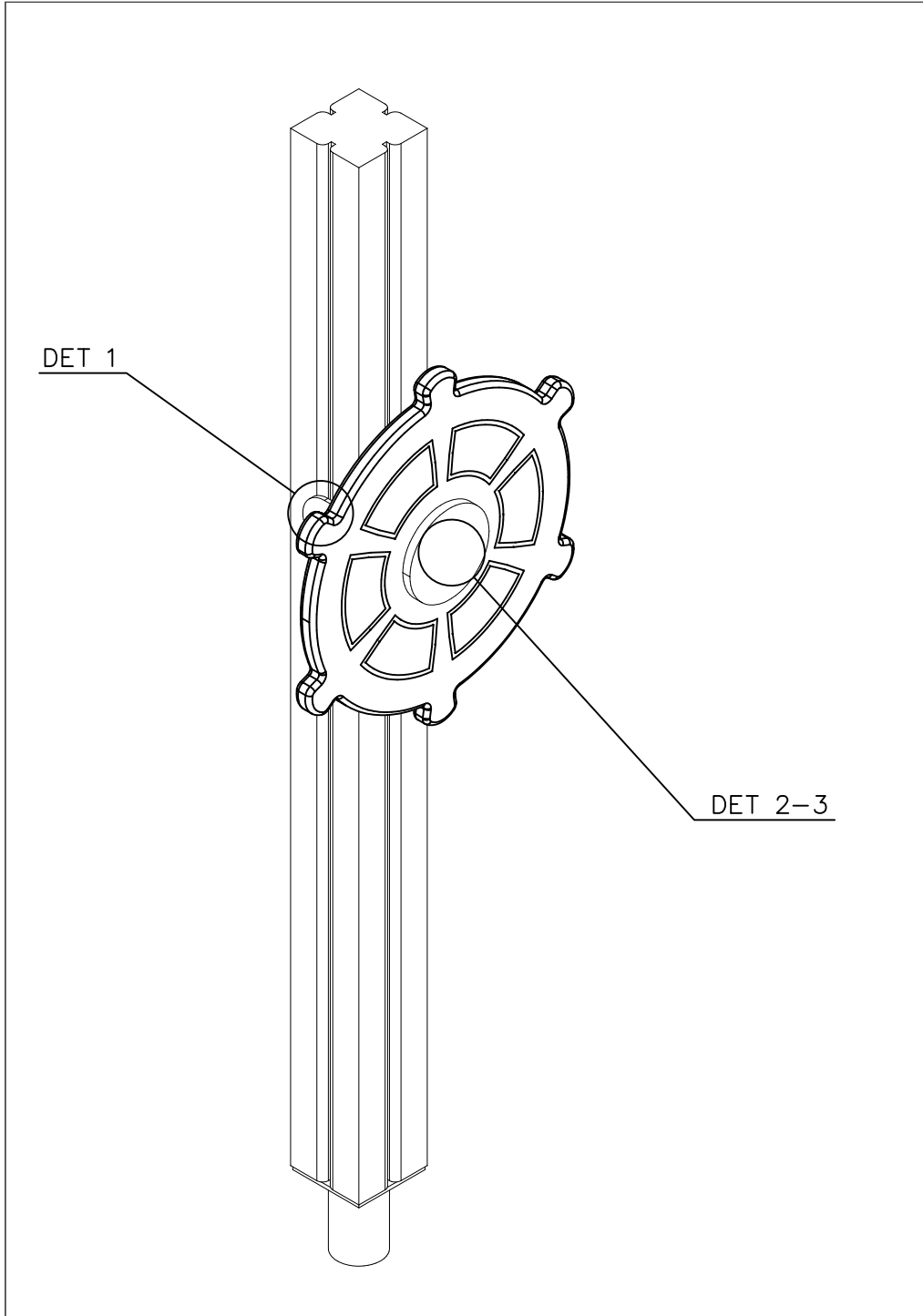


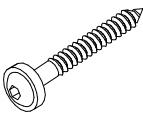
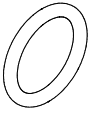
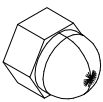
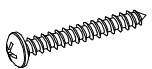

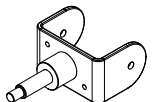
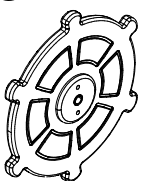
① 708917	PCS	② 980100	PCS
	1		16
			
28x700x745		Ø5x60	
	PCS		PCS
	PCS		PCS
	PCS		PCS
	PCS		PCS

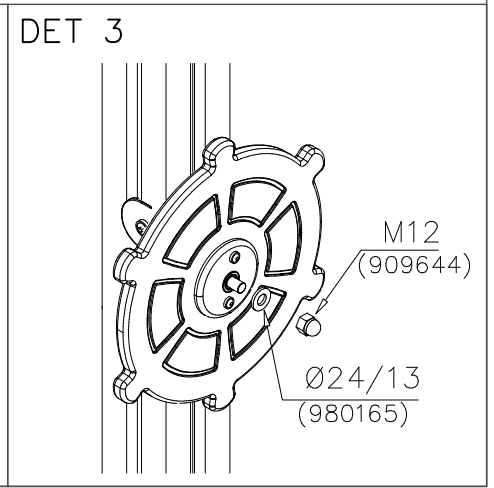
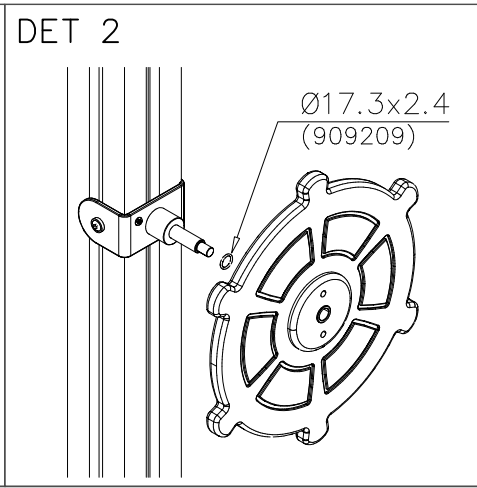
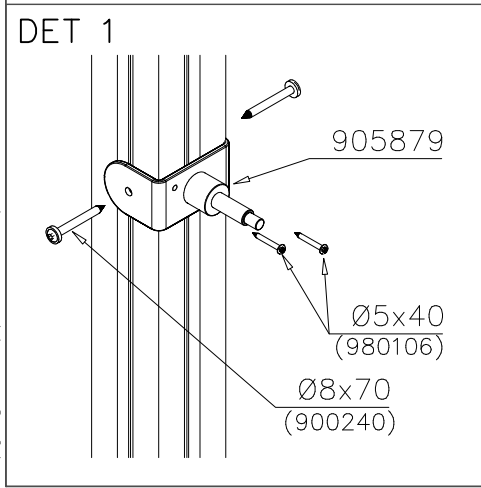
DET 1

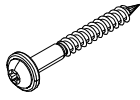
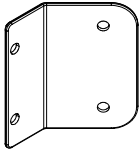
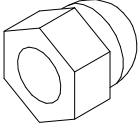
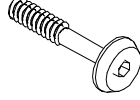
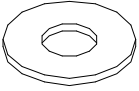
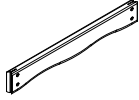


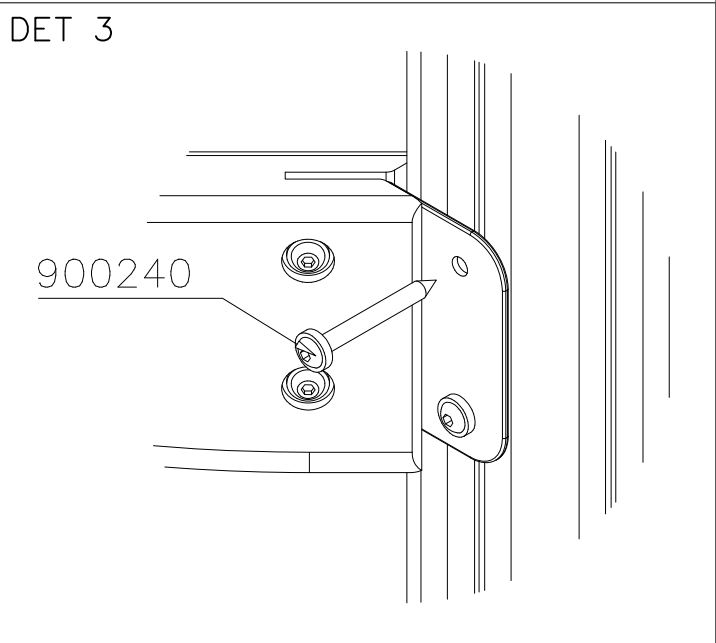
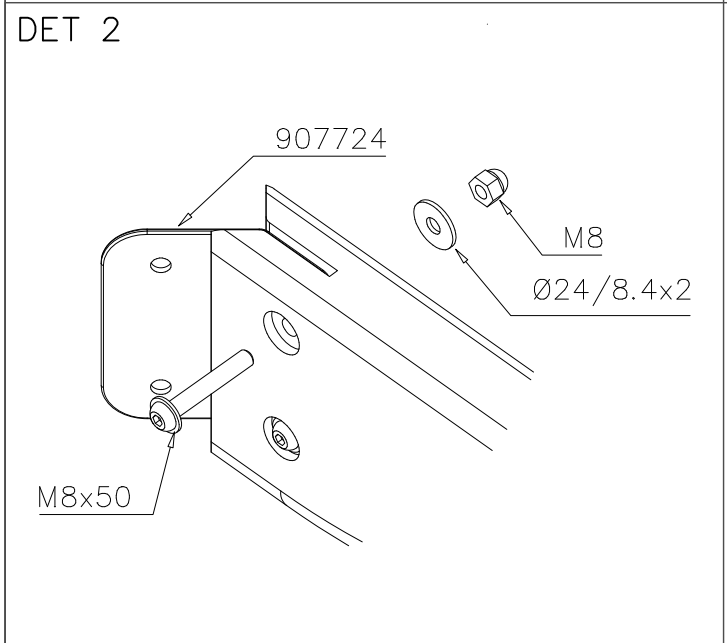
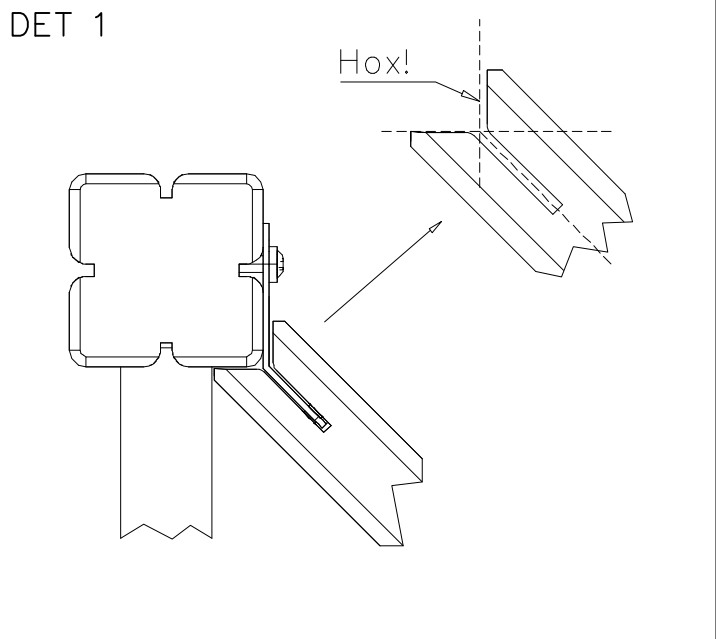
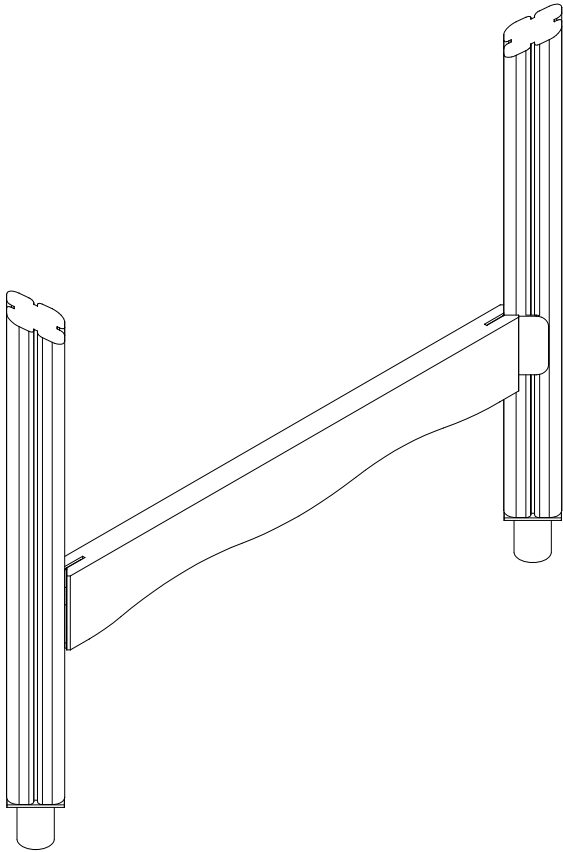
Ø5x60

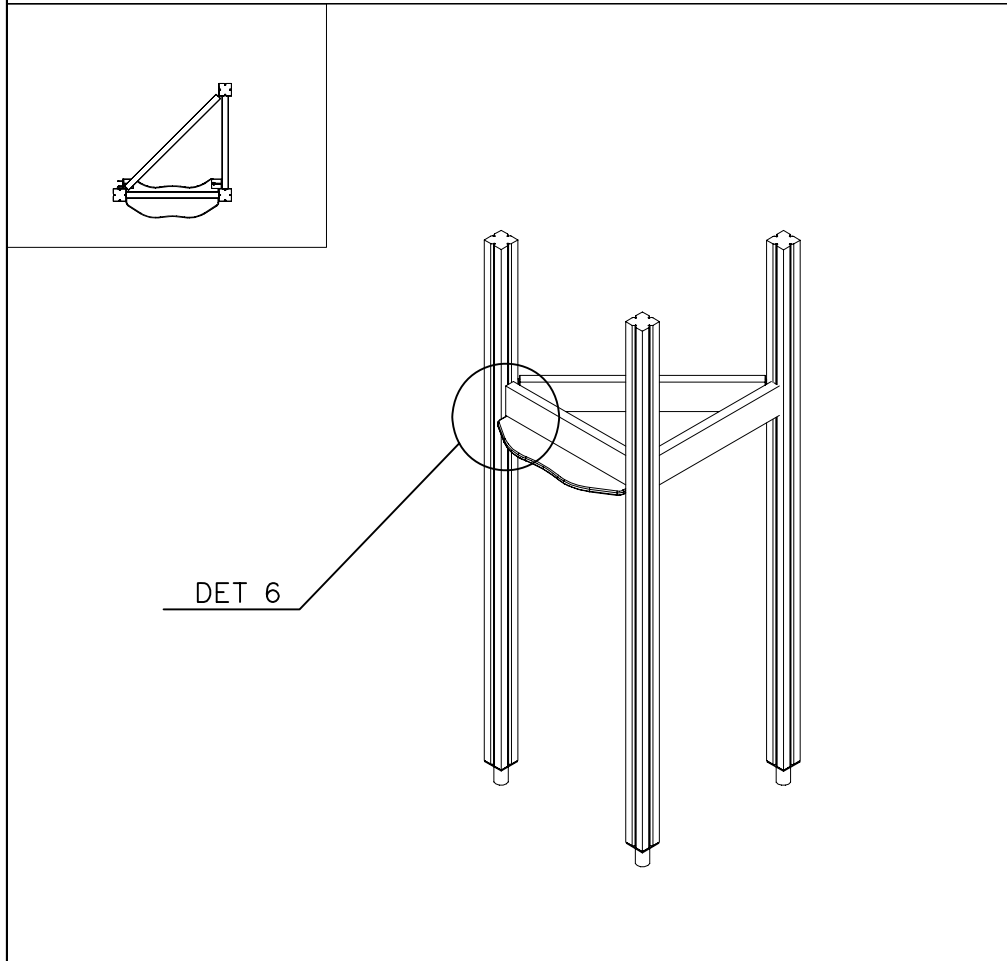
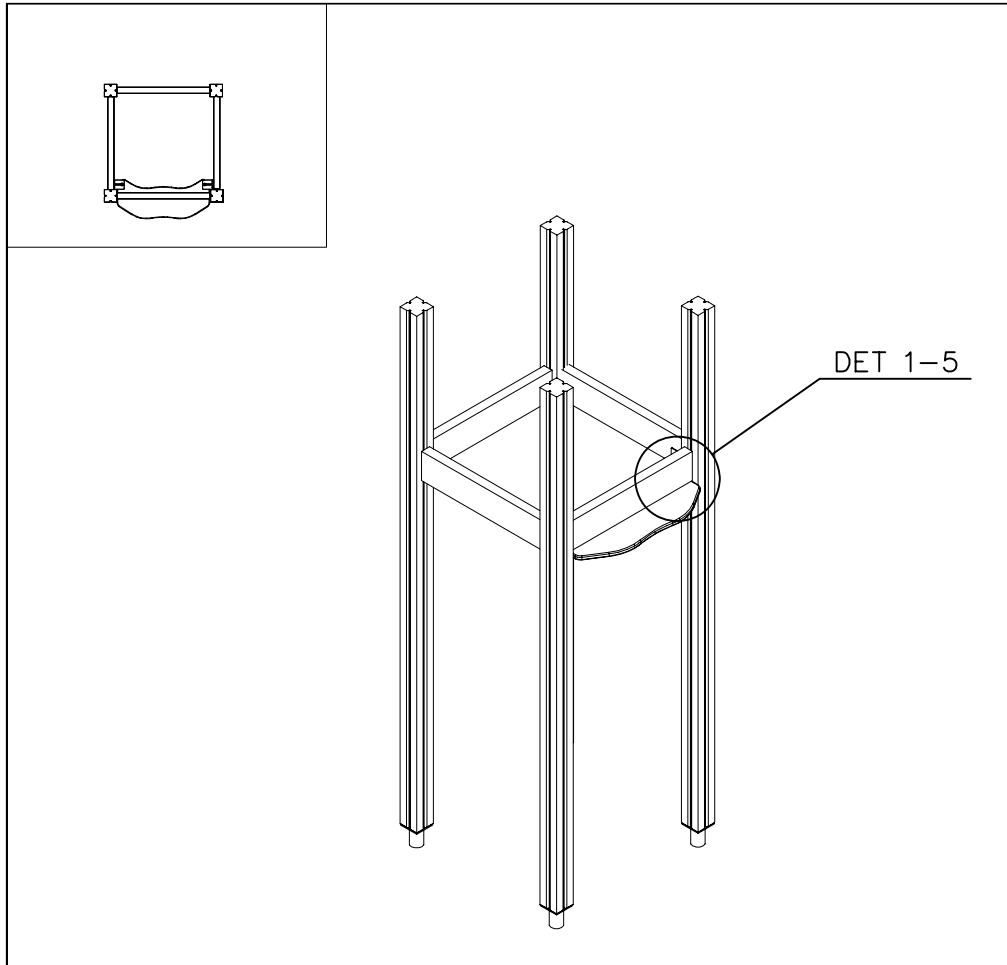


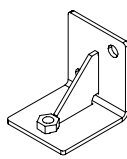
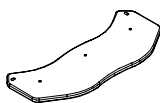
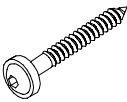
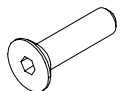


① 900240	PCS	② 909209	PCS
	2		1
Ø8x70		Ø17.3x2.4	
③ 909644	PCS	④ 980106	PCS
	1		2
M12		Ø5x40	
⑤ 980165	PCS	○ 905879	PCS
	1		1
Ø24/13x3			
○ 707320	PCS		PCS
	1		



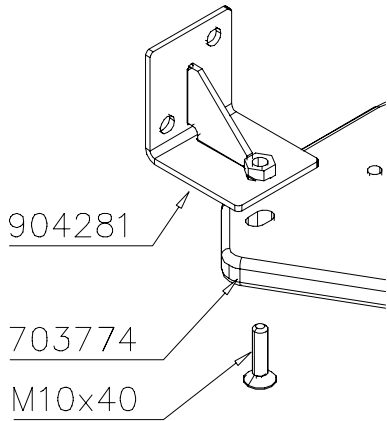
① 900240 PCS 4  Ø8x70	② 907724 PCS 2  3x115x110	③ 909633 PCS 4  M8	④ 909868 PCS 4  M8x50	⑤ 980152 PCS 4  Ø24/8.4x2	⑥ 710171 PCS 1  45x145x1031
--	--	--	--	--	--



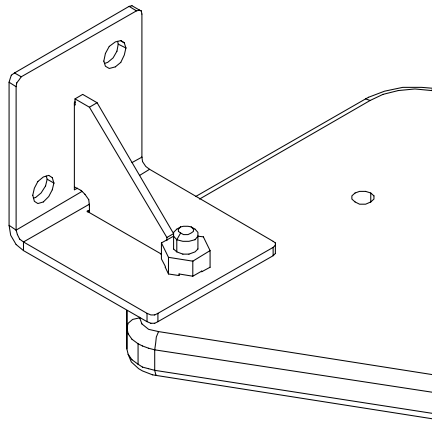


① 904281	PCS	② 703774	PCS
	2		1
③ 900240	PCS	④ 901487	PCS
	4		2
Ø8x70		M10x40	
⑤ 903236	PCS	⑥ 980128	PCS
	1		4
Ø30/10.5		Ø7x40	
	PCS		PCS
	PCS		PCS
	PCS		PCS
	PCS		PCS

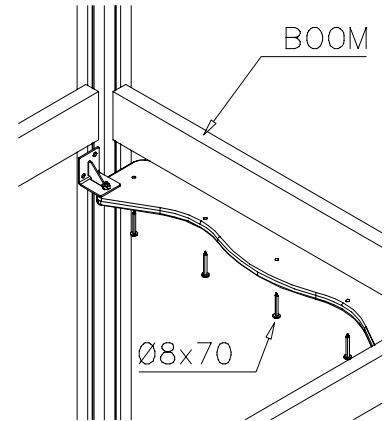
DET 1



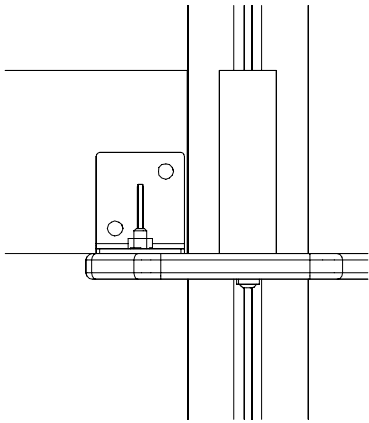
DET 2



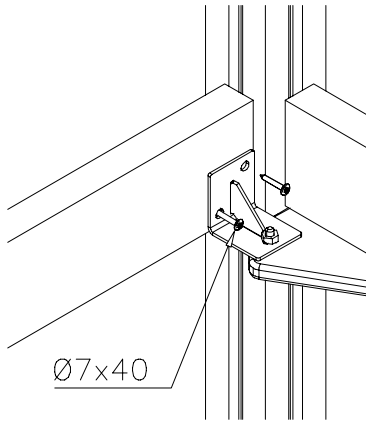
DET 3



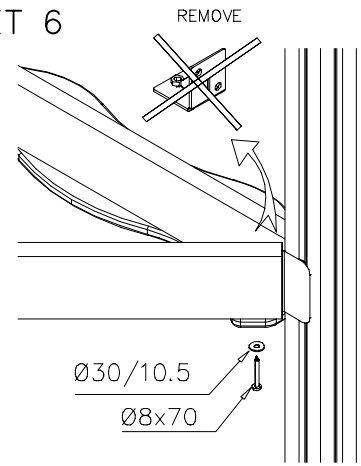
DET 4

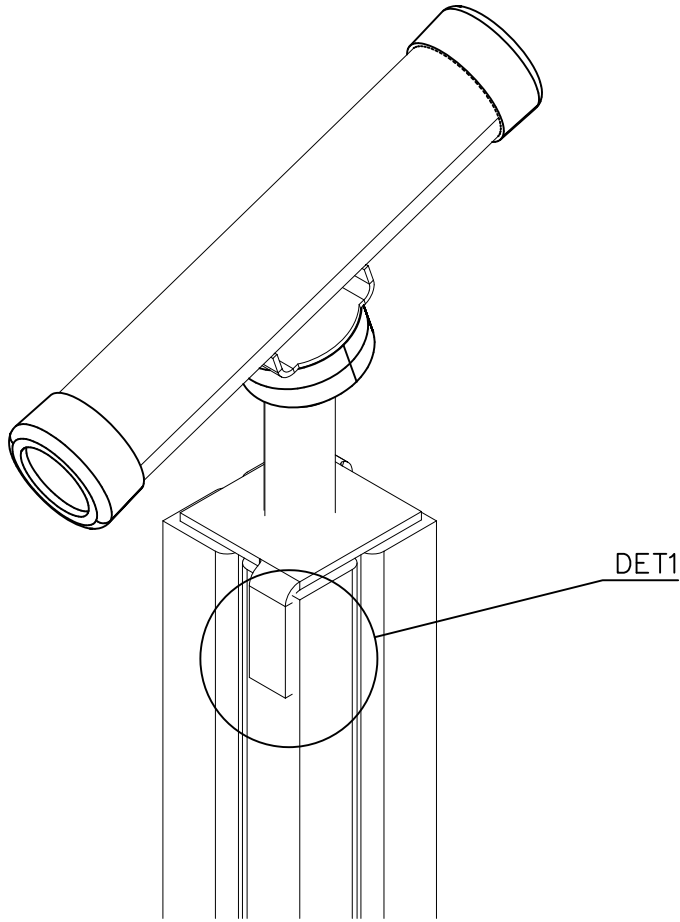


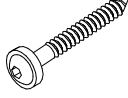
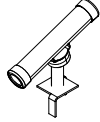
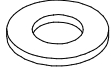
DET 5



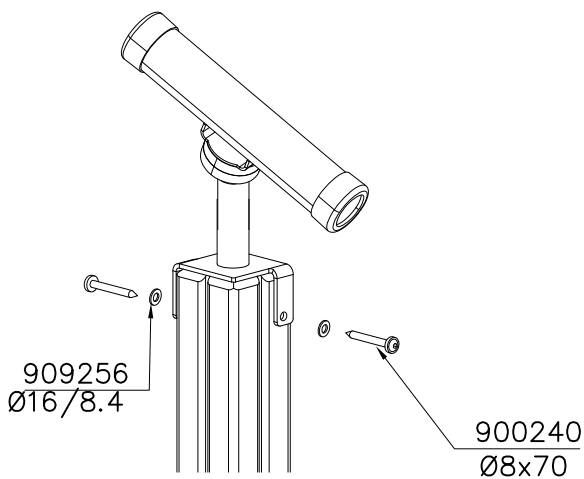
DET 6

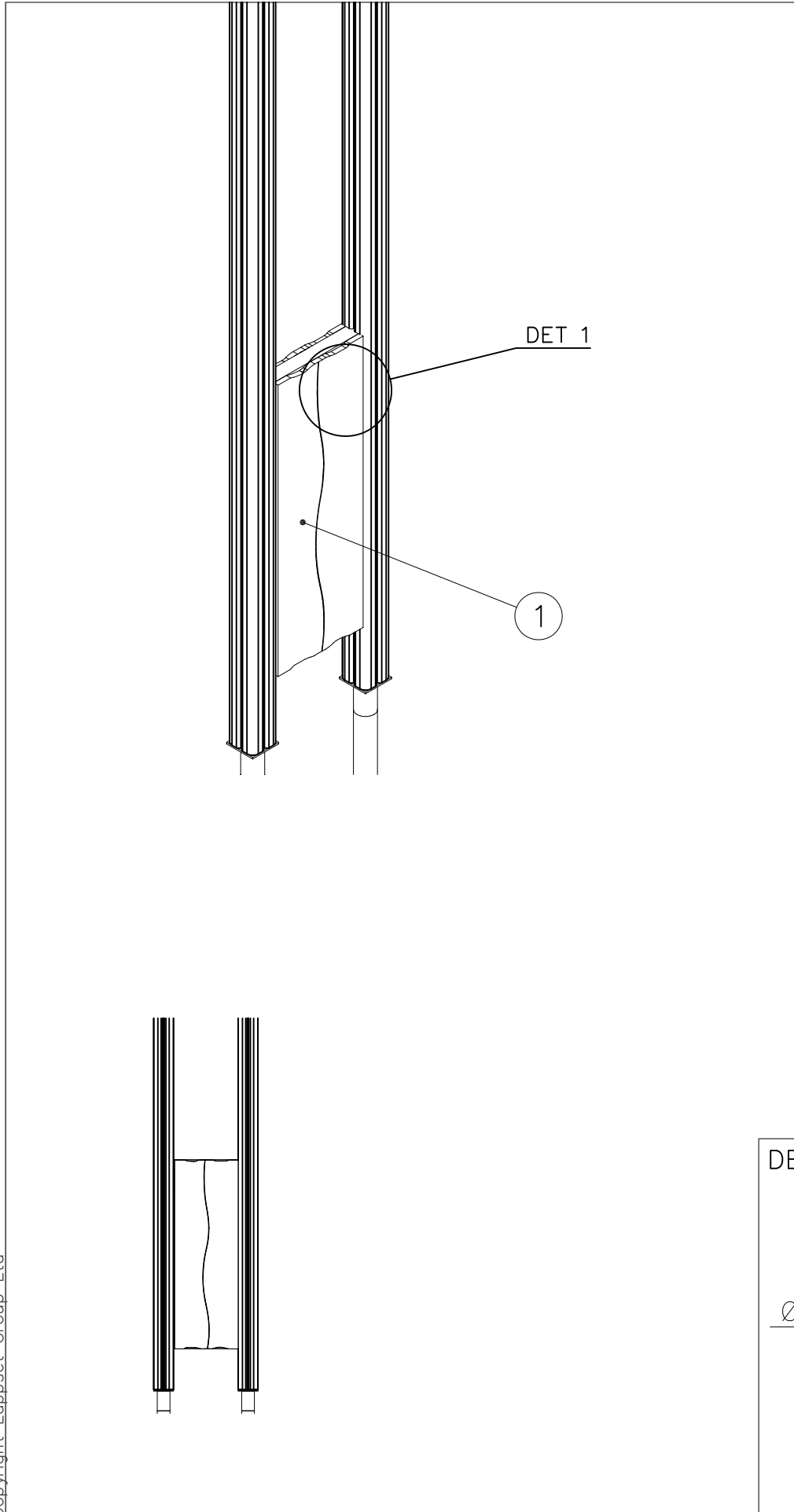






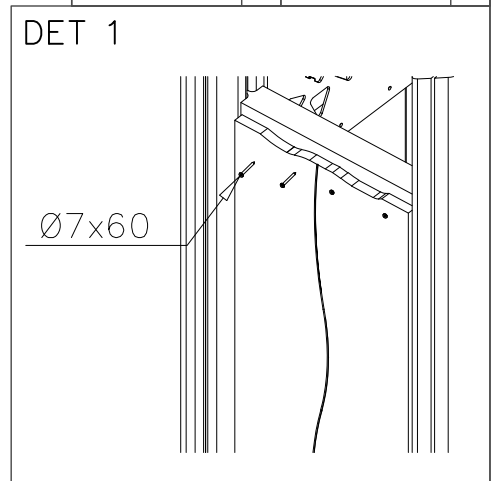
① 900240	PCS	② 707304	PCS
	2		1
Ø8x70			
	PCS	③ 909256	PCS
			2
		Ø16/8.4	
	PCS		PCS
	PCS		PCS
	PCS		PCS
	PCS		PCS
	PCS		PCS
	PCS		PCS

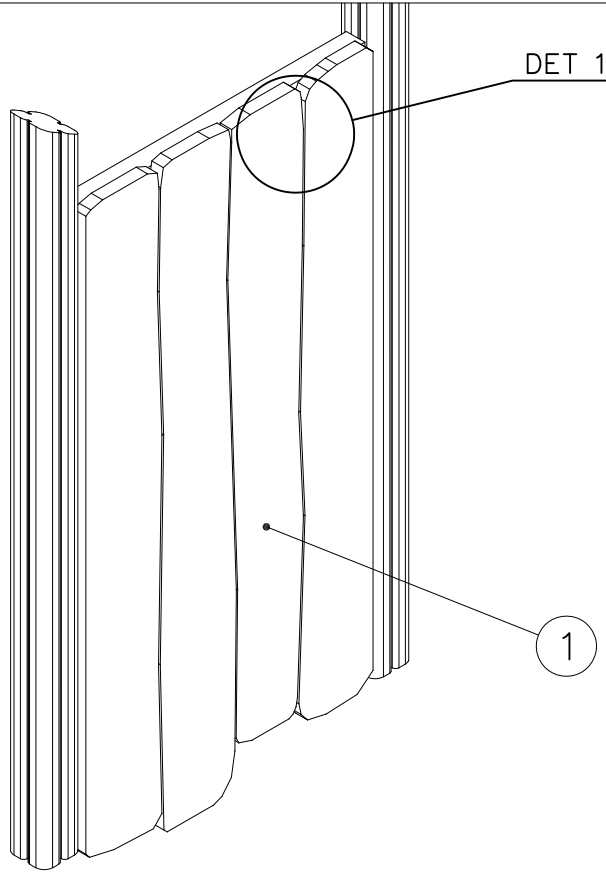
DET 1

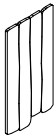
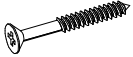




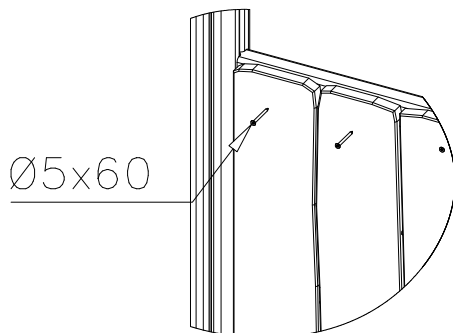
① 709911	PCS	② 980123	PCS
	1		12
			
15x300x890		Ø7x60	
	PCS		PCS
	PCS		PCS
	PCS		PCS
	PCS		PCS



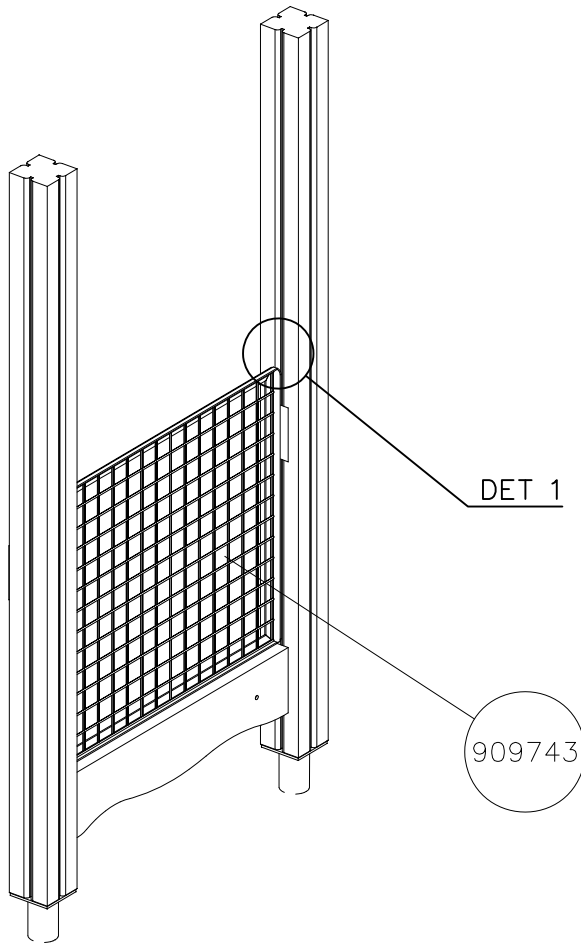


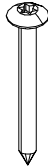

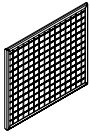
① 708700	PCS	② 980100	PCS
	1		24
700x1400		Ø5x60	
	PCS		PCS
	PCS		PCS
	PCS		PCS
	PCS		PCS

DET 1

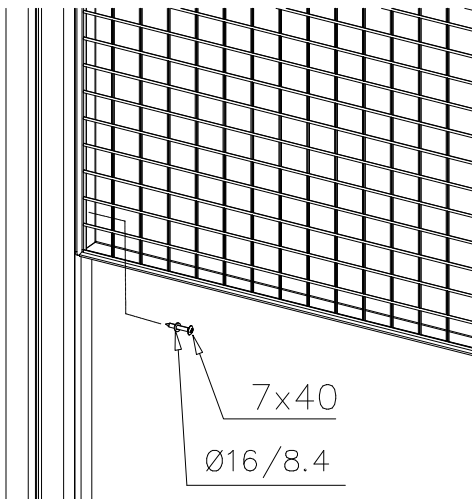


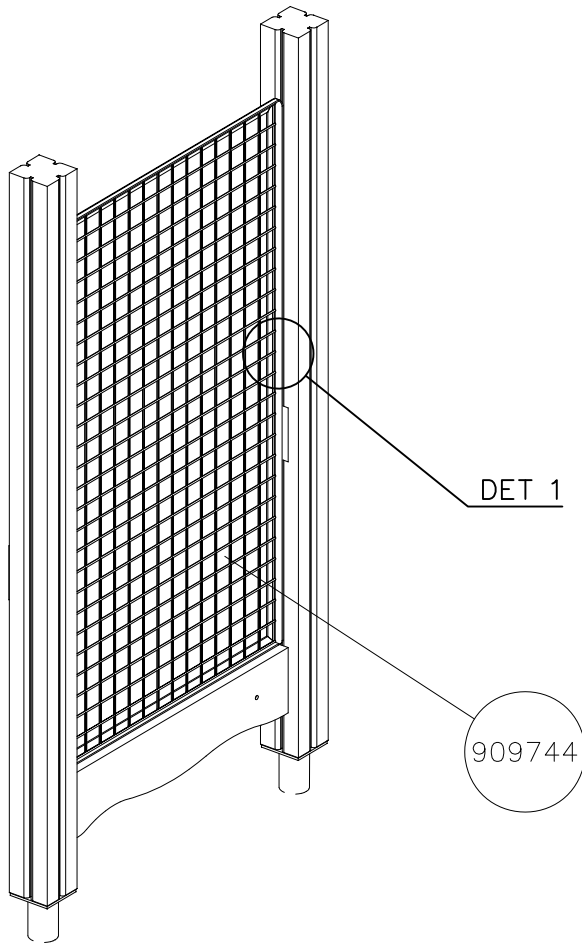
Ø5x60

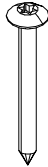




① 980128	PCS	② 909256	PCS
	8		8
Ø7x40		Ø16/8.4	
	PCS	③ 909743	PCS
			1
		705x612	
	PCS		PCS
	PCS		PCS
	PCS		PCS

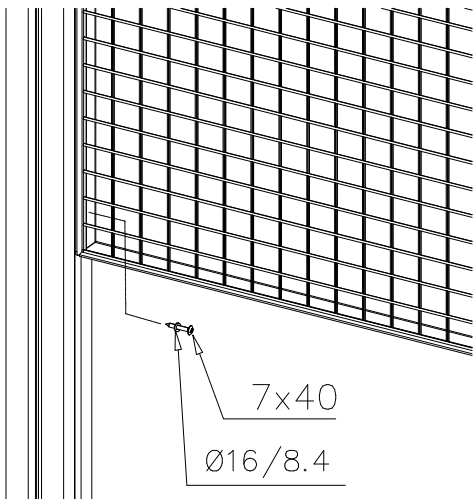
DET 1

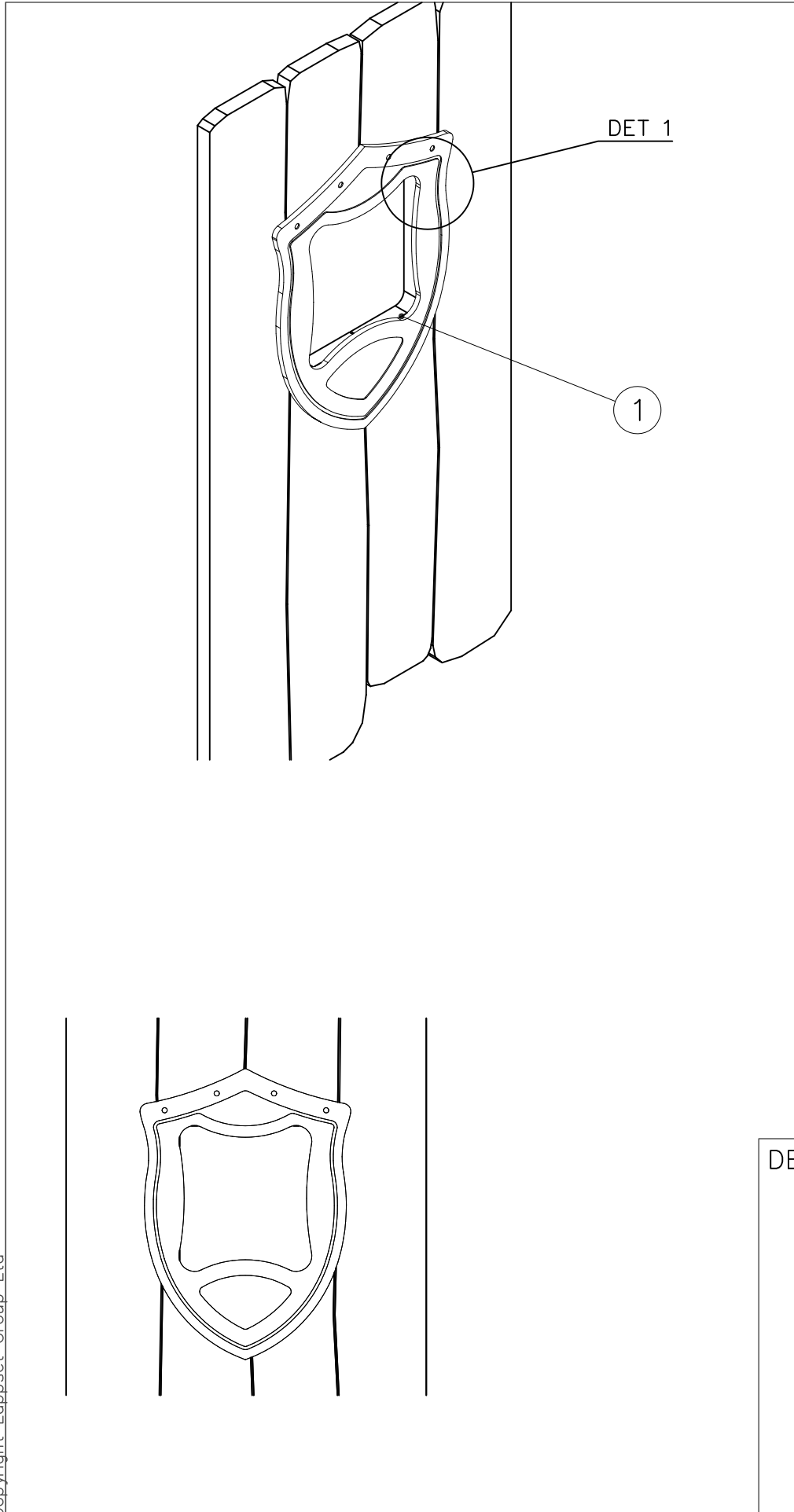



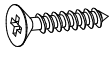


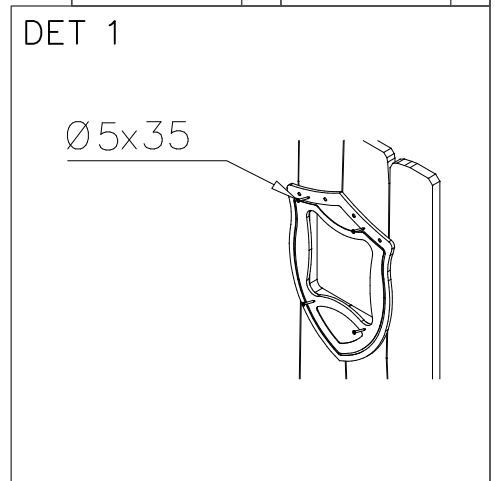
① 980128	PCS	② 909256	PCS
	16		16
Ø7x40		Ø16/8.4	
	PCS	③ 909744	PCS
			1
		705x1212	
	PCS		PCS
	PCS		PCS
	PCS		PCS

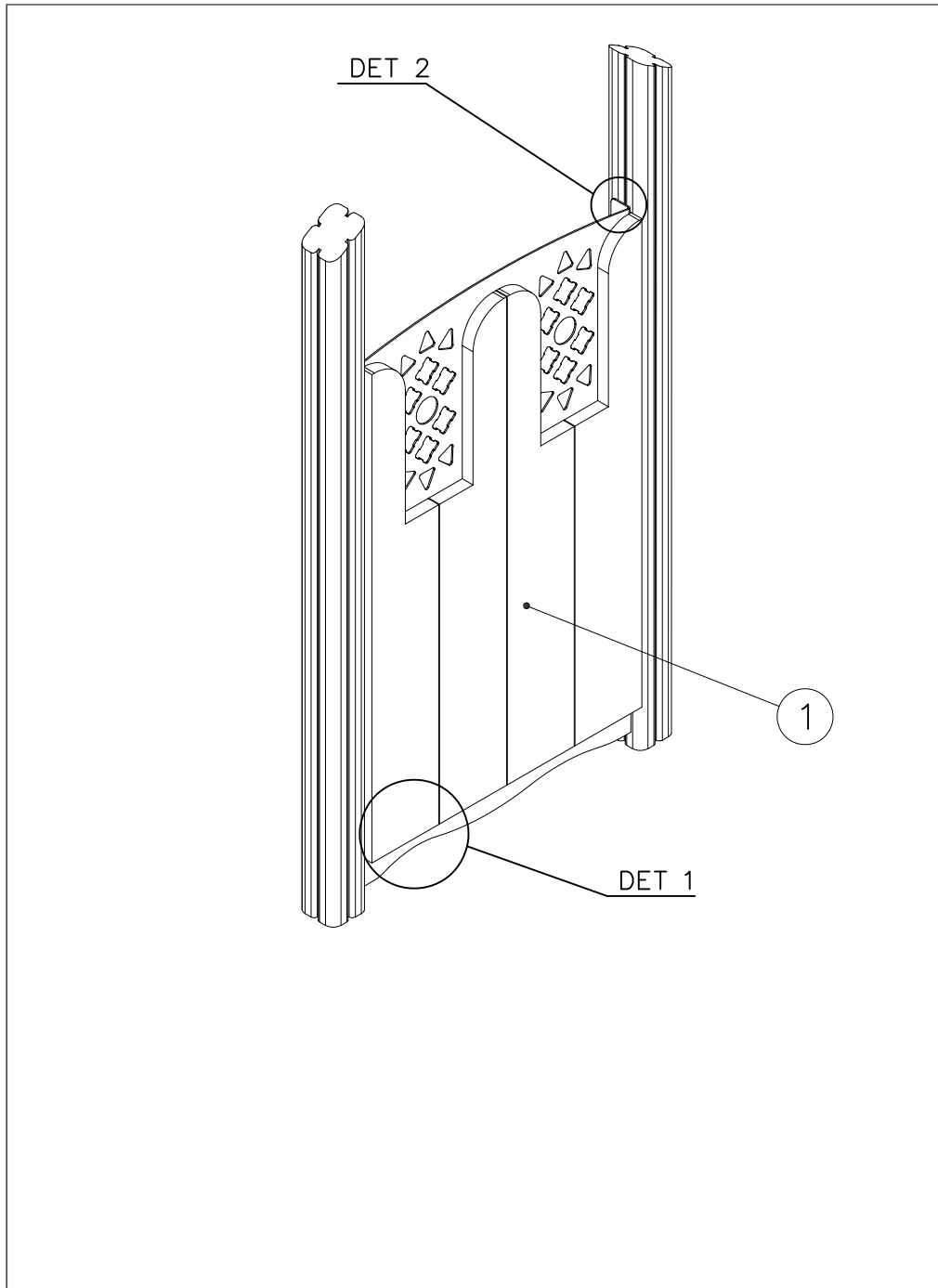
DET 1





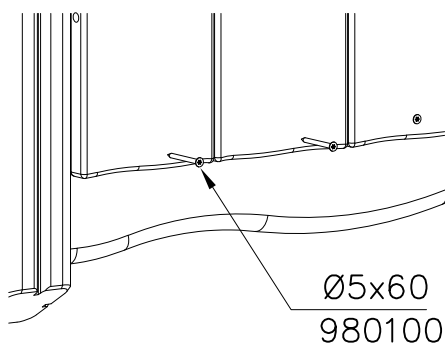
① 710115	PCS	② 980129	PCS
	1		4
10x405x558		Ø5x35	
	PCS		PCS
	PCS		PCS
	PCS		PCS
	PCS		PCS



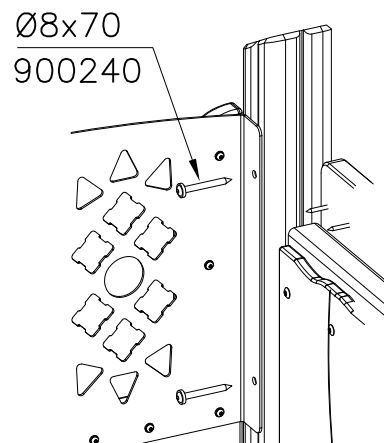


① 709909	PCS	② 980100	PCS
	1		4
700x1100		Ø5x60	
	PCS	③ 900240	PCS
			4
		Ø8x70	
	PCS		PCS
	PCS		PCS
	PCS		PCS

DET 1



DET 2



LAPPSET®
BETON FOUNDATION

FOOT

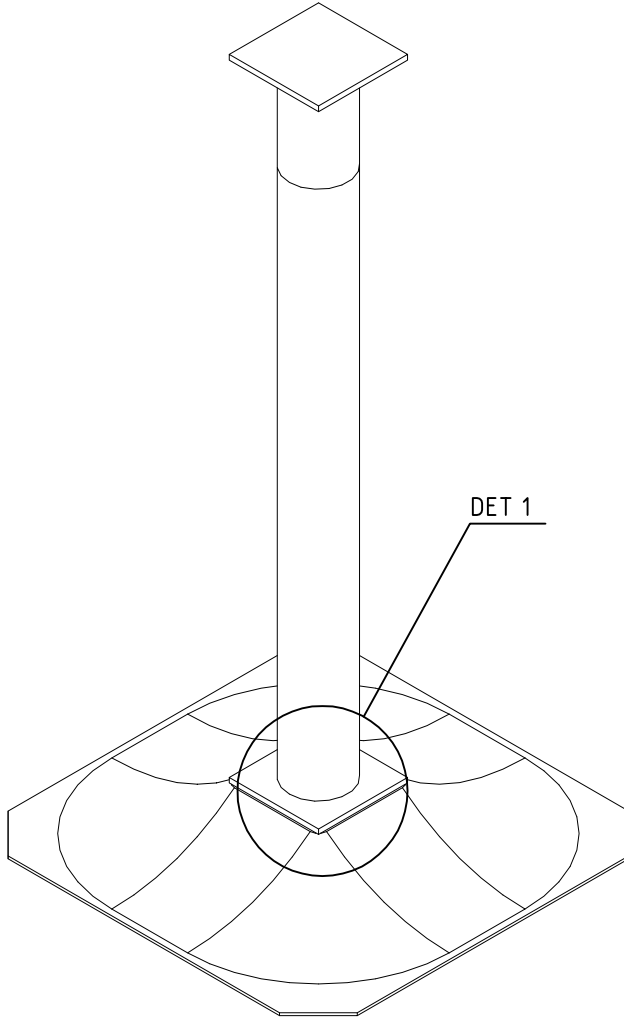
DATE: 27.10.2015


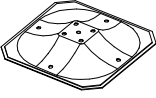


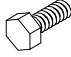
1(1)

② 905104	PCS		PCS
	4		
 M10	PCS		PCS

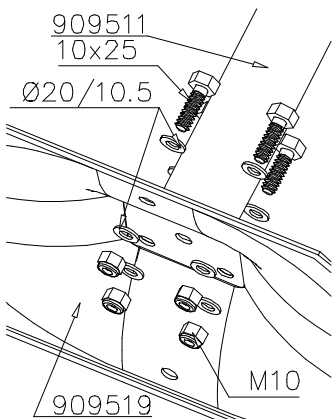


905104

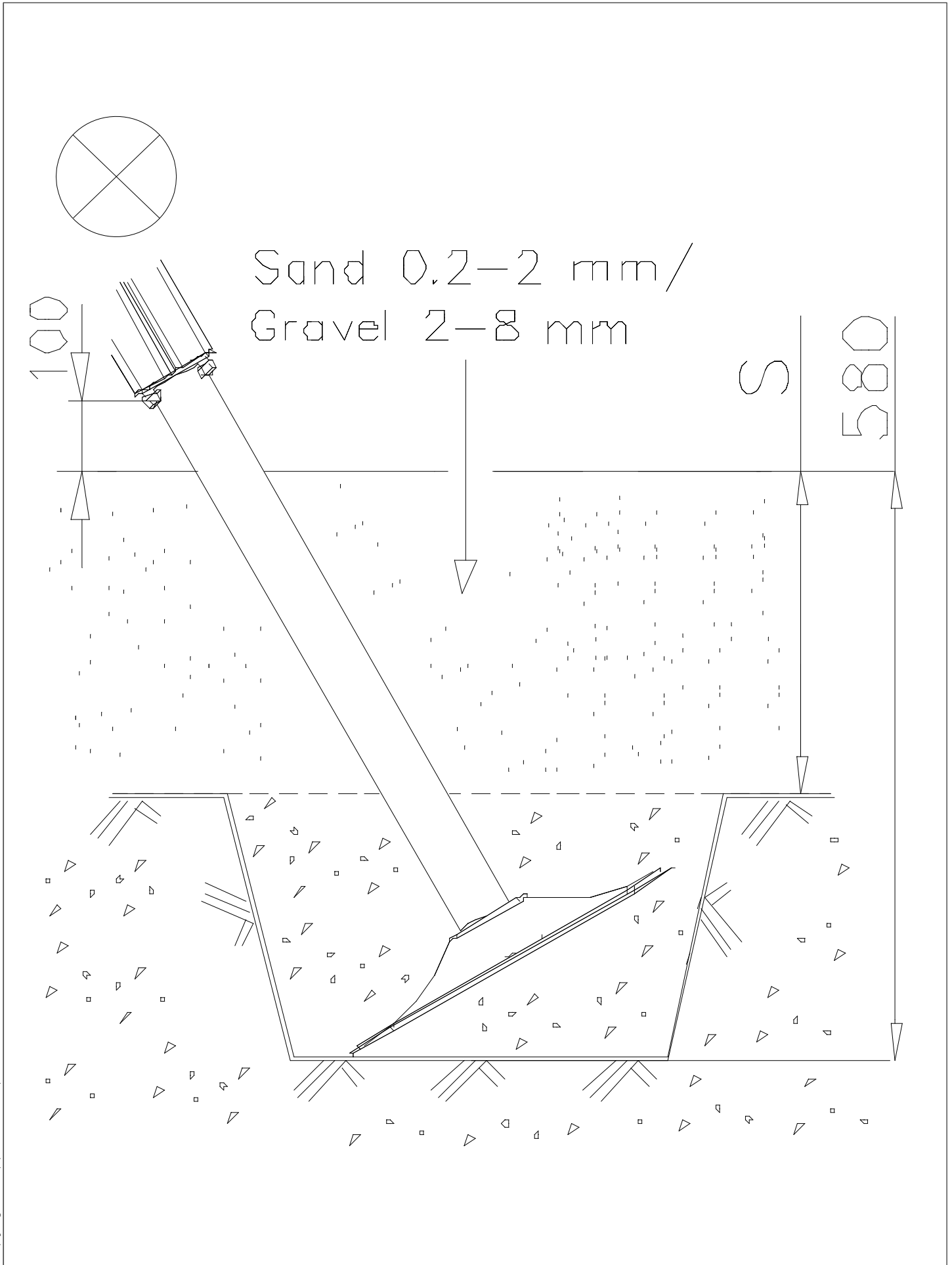


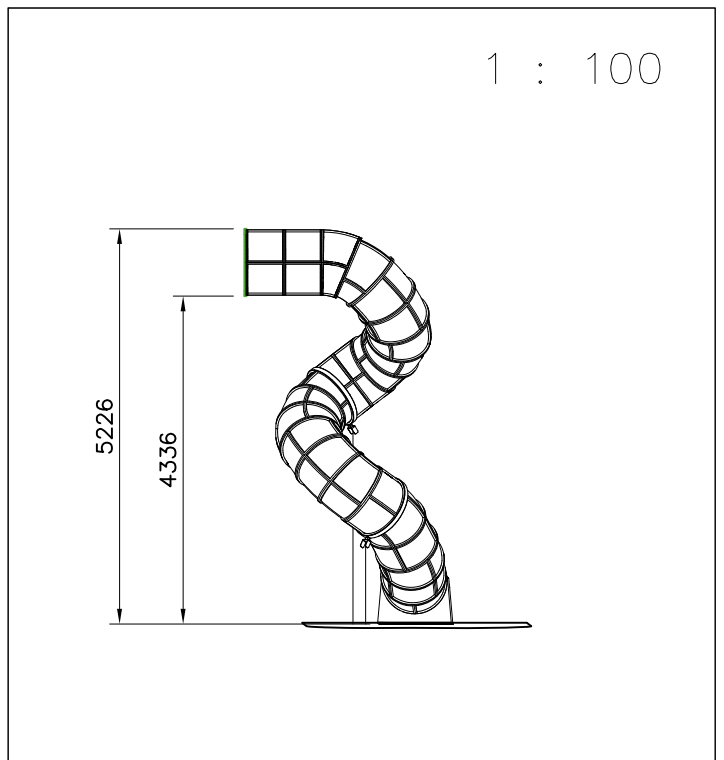
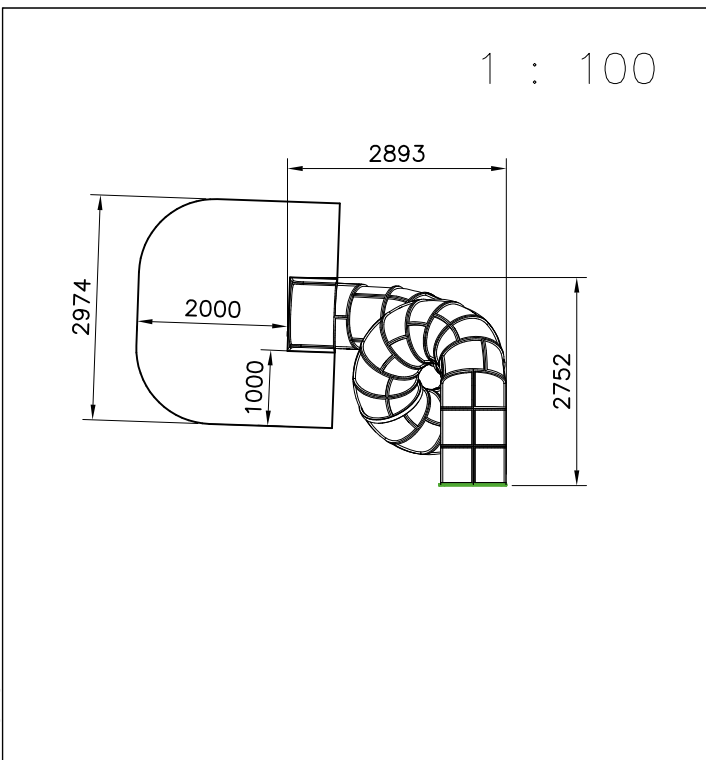
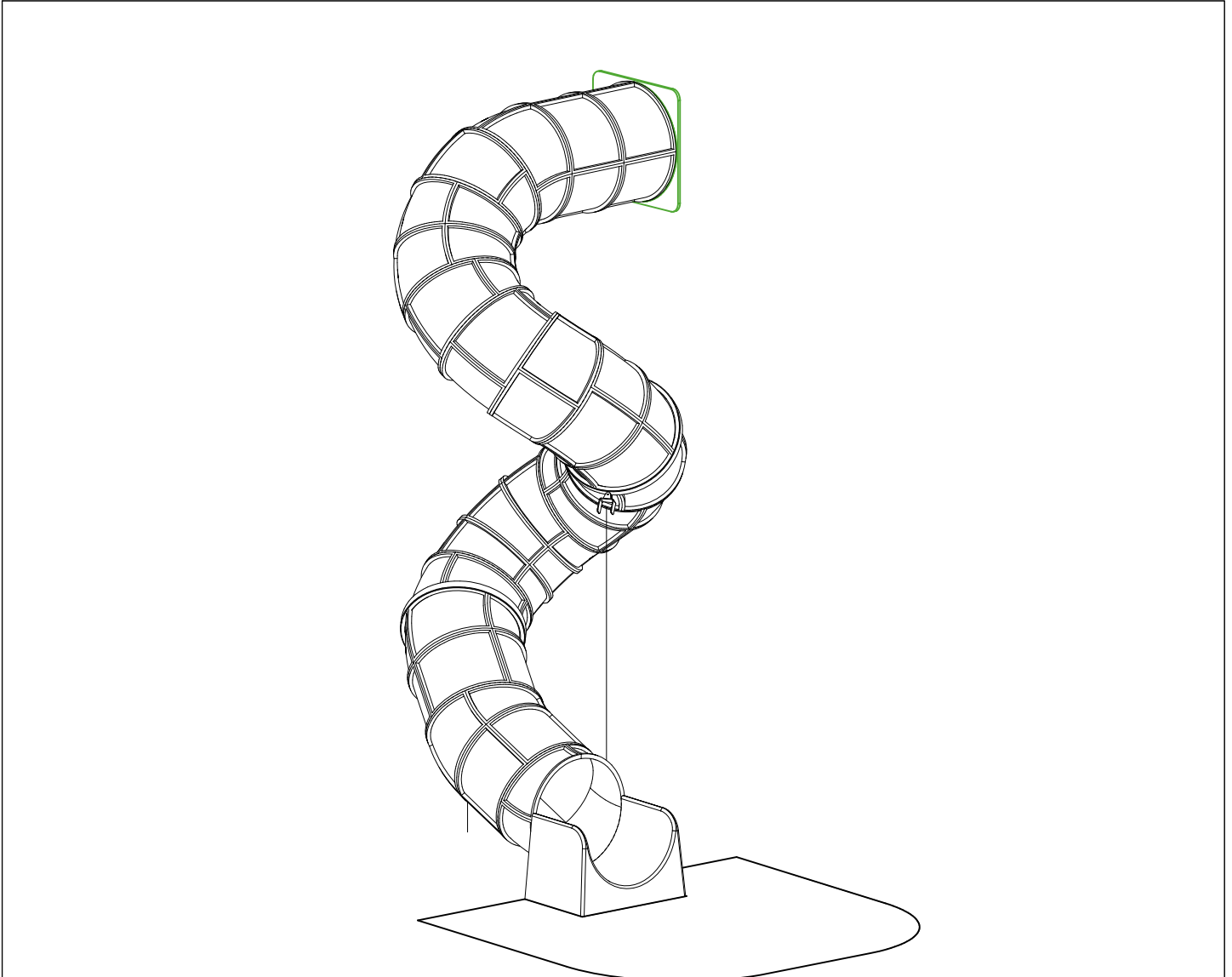
①	909511	PCS	②	909519	PCS
		1			1
③	909637	PCS	④	909638	PCS
		4			8
	M10			Ø20/10.5	
⑤	909639	PCS			PCS
		4			
	M10x25				
		PCS			PCS
		PCS			PCS
		PCS			PCS
		PCS			PCS
		PCS			PCS


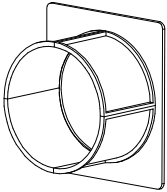
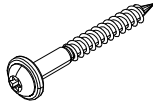
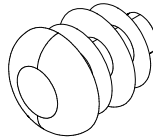


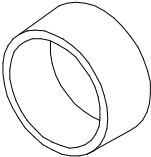
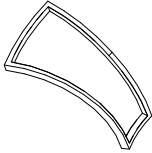
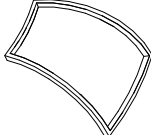
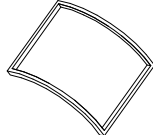
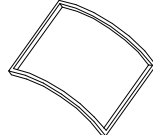

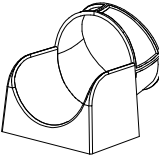

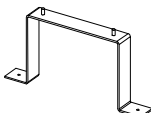
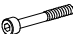


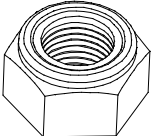

DET 1

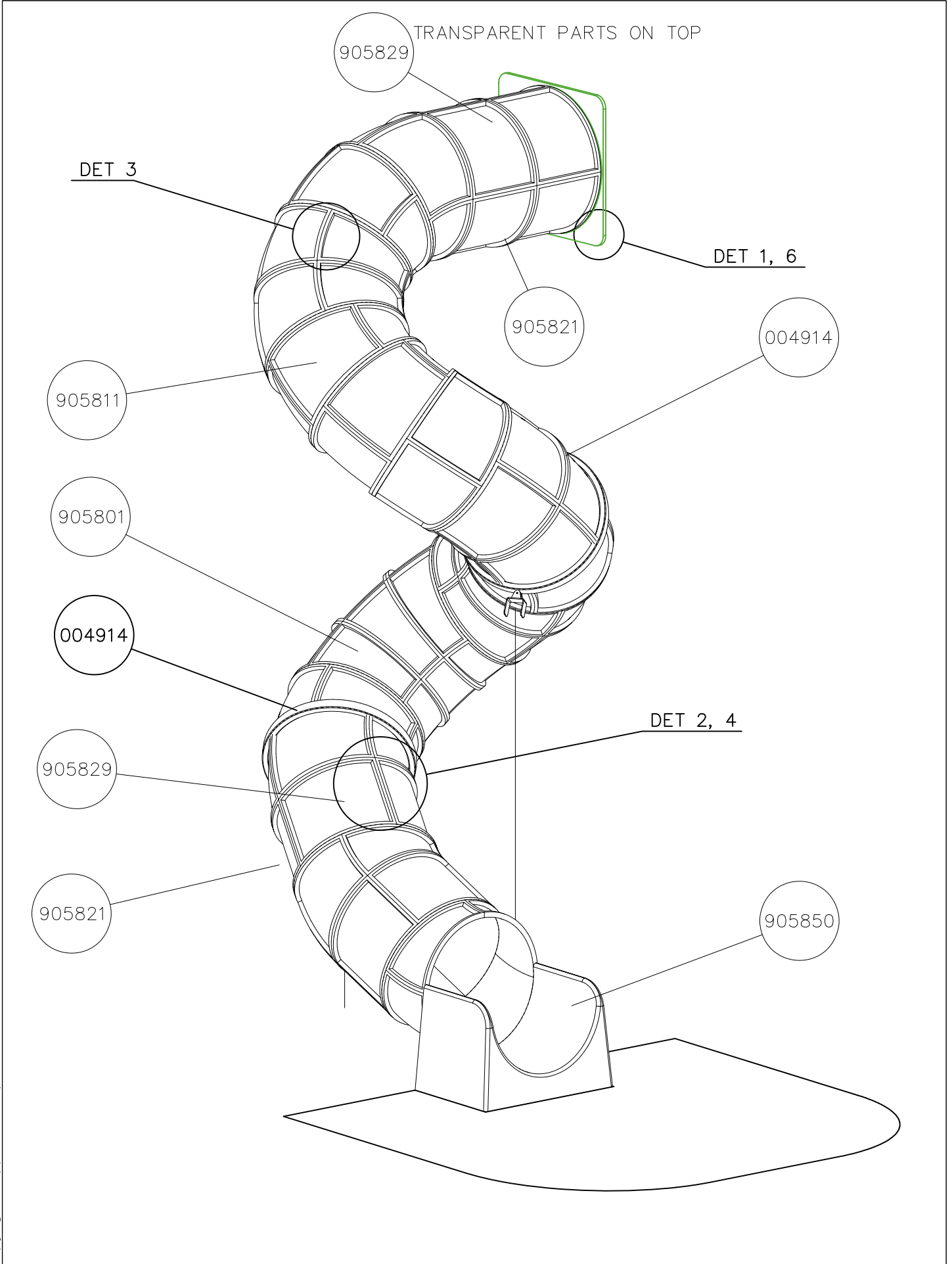


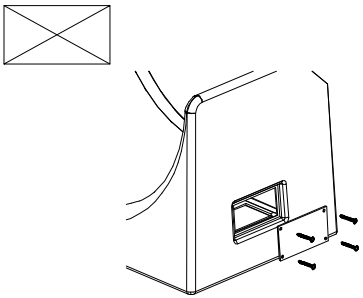
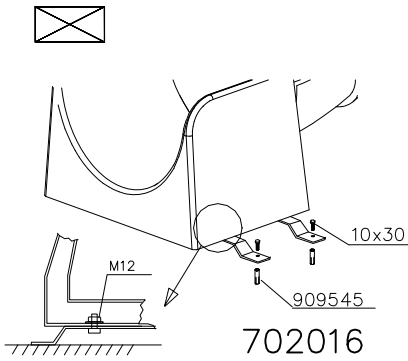
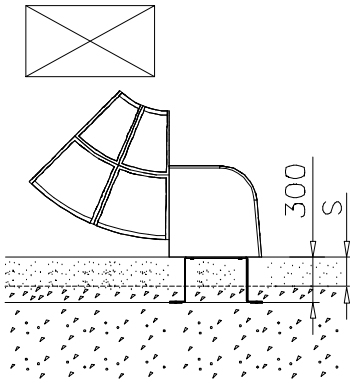
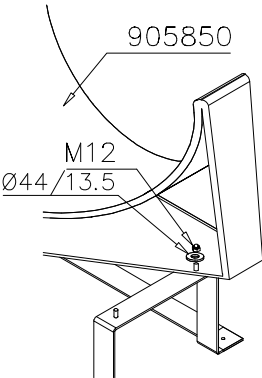
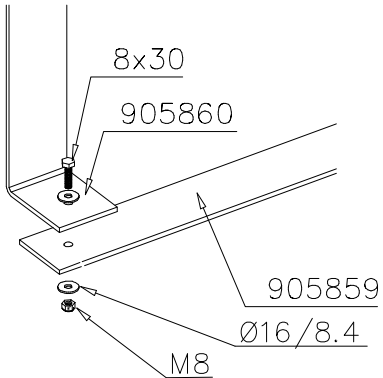
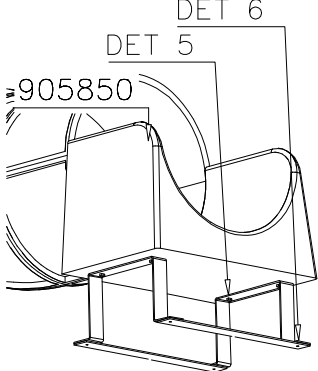


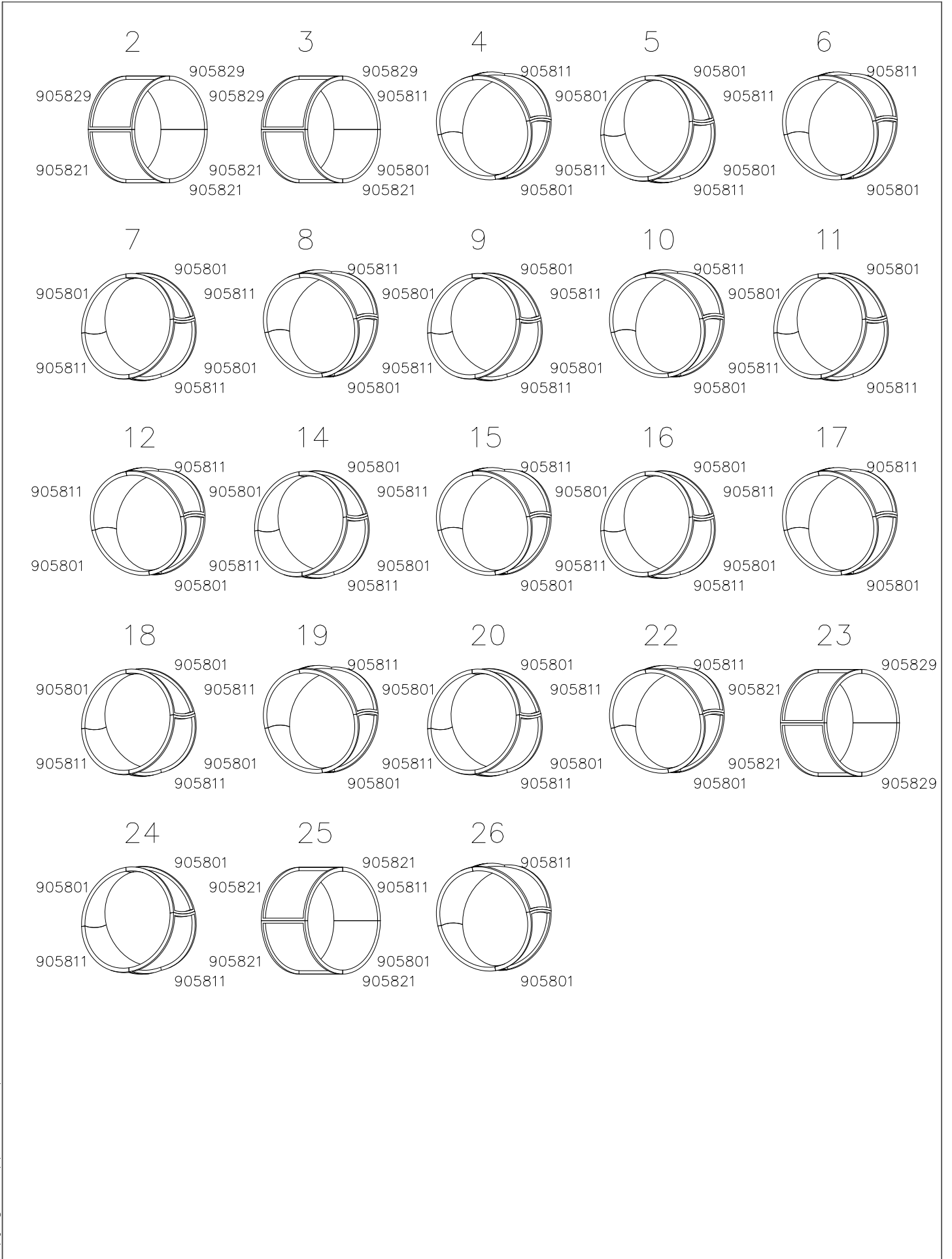




	PCS	004914	PCS	707918-707	PCS	900240	PCS	903533	PCS	905086	PCS
			2		1		14		6		4
						Ø8x70		SRL12		Ø44/13.5	
905112	PCS	905801	PCS	905811	PCS	905821	PCS	905829	PCS	905831	PCS
	1136		36		36		8		4		1064
BLACK Ø22		GREY		GREY		GREY		TRANSPARENT		BLACK	
905850	PCS	905859	PCS	905860	PCS	909205	PCS	909248	PCS	909274	PCS
	1		2		2		532		4		4
		6x80x850				8x60		M12		8x30	
980150	PCS	980151	PCS		PCS		PCS		PCS		PCS
	536		8								
M8		Ø16/8.4									
	PCS		PCS		PCS		PCS		PCS		PCS
	PCS		PCS		PCS		PCS		PCS		PCS



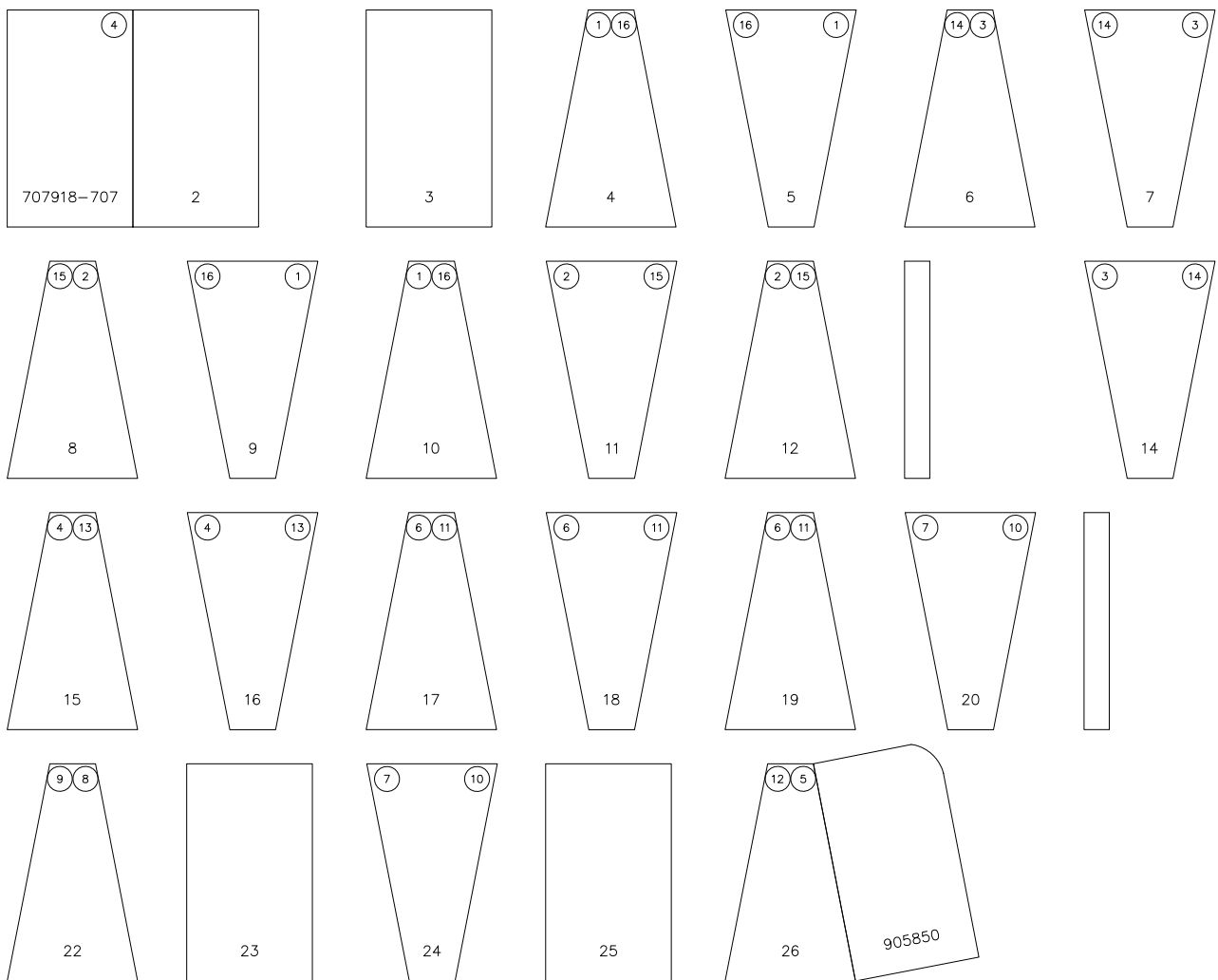
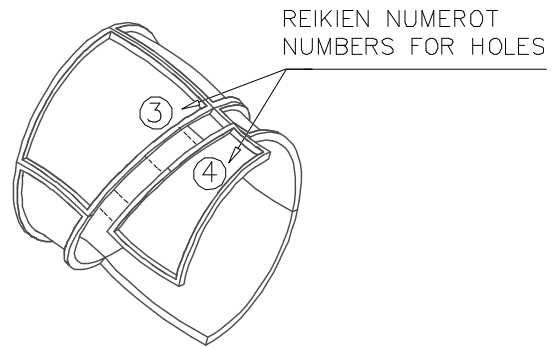
<p>905850</p>  <p>Access- and maintenance panel. Asennus- ja huolto luukku.</p>	<p>905850 SURFACE MOUNT OPTION</p>  <p>10x30 909545 702016</p>	<p>905850</p>  <p>300 S</p>
<p>905850</p>  <p>905850 M12 Ø44/13.5</p>	<p>905850</p>  <p>8x30 905860 905850 Ø16/8.4 M8</p>	<p>905850</p>  <p>DET 6 DET 5 905850</p>



Esimerkki putken kokoamisesta
Example of installation

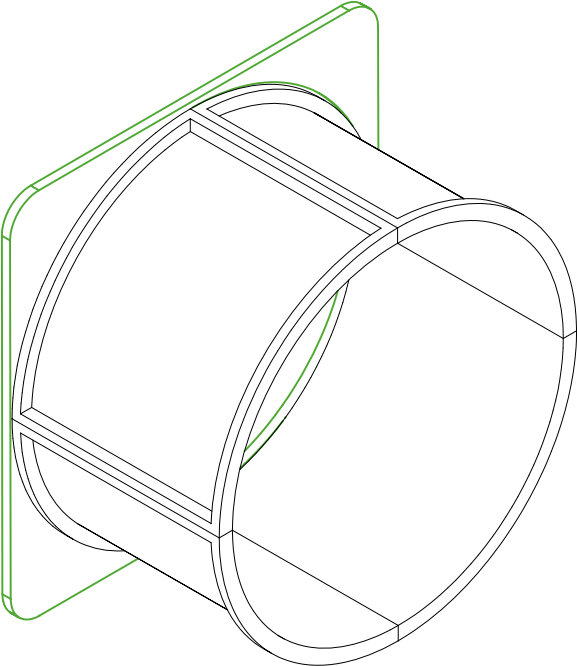
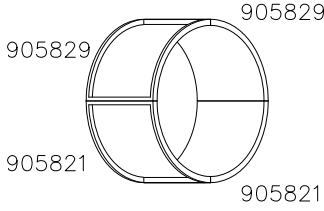





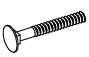





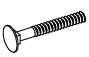





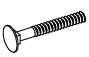
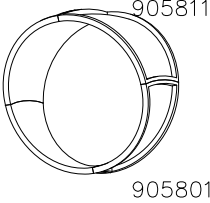



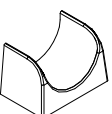





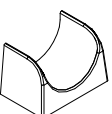






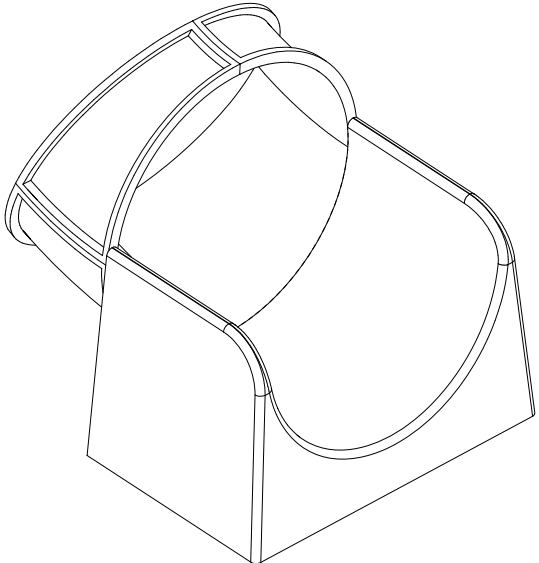



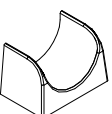




LIUKUPINTAAN EI SAA TULLA
LÄPINÄKYVIÄ MODUULEJA!!

NO TRANSPARENT PIECES ON
SLIDING SURFACE!!



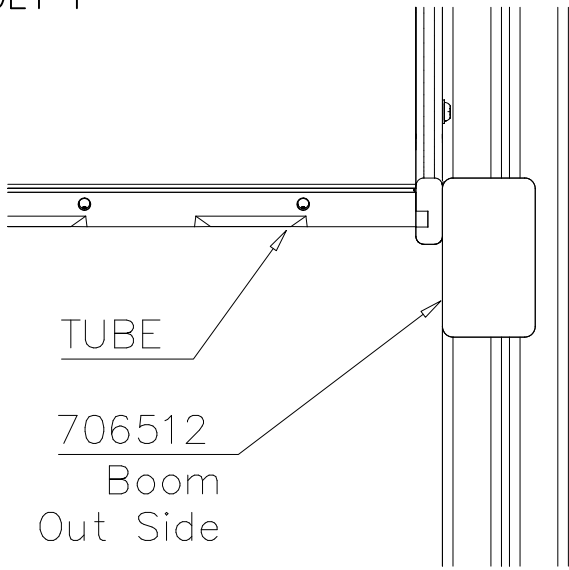
Valmiiksi kasattujen osien osakokoonpanot ja vara-osa listat.

Ready installed component subassemblies and spare part list.

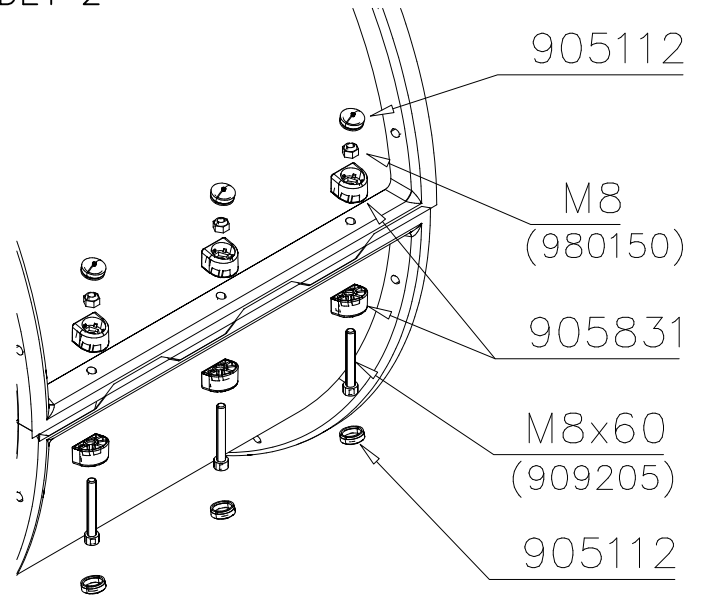
	<div style="text-align: center;">2</div>  <table border="1" data-bbox="895 931 1469 1312"> <tr> <td>707918-707 </td> <td>909205 x 12 </td> <td>980150 x 12 </td> </tr> <tr> <td>905831 x 40 </td> <td>909208 x 16 </td> <td>909119 x 16 </td> </tr> </table>			707918-707 	909205 x 12 	980150 x 12 	905831 x 40 	909208 x 16 	909119 x 16 	
707918-707 	909205 x 12 	980150 x 12 								
905831 x 40 	909208 x 16 	909119 x 16 								
<div style="text-align: center;">26</div>  <table border="1" data-bbox="172 1727 746 2101"> <tr> <td>909205 x 16 909206 x 8 </td> <td>980150 x 16 </td> <td>905831 x 32 </td> </tr> <tr> <td>905850 </td> <td>909208 x 8 </td> <td>980151 x 8 </td> </tr> </table>	909205 x 16 909206 x 8 	980150 x 16 	905831 x 32 	905850 	909208 x 8 	980151 x 8 	<table border="1"> <tr> <td>909252 x 13 </td> </tr> <tr> <td>700413 x 1 </td> </tr> </table>	909252 x 13 	700413 x 1 	 <p style="text-align: center;">Position of the box: 88 degrees</p>
909205 x 16 909206 x 8 	980150 x 16 	905831 x 32 								
905850 	909208 x 8 	980151 x 8 								
909252 x 13 										
700413 x 1 										

DATE: 1.6.2016

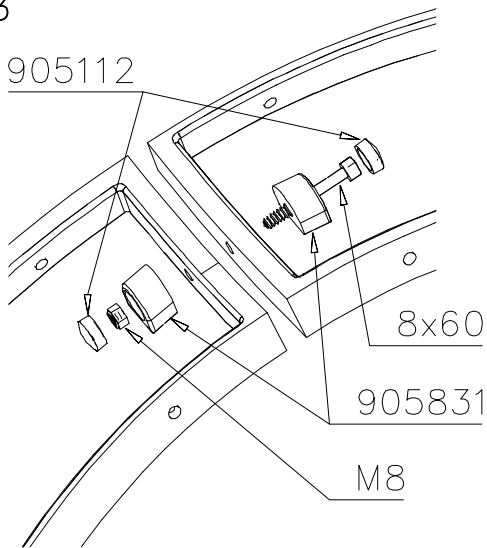
DET 1



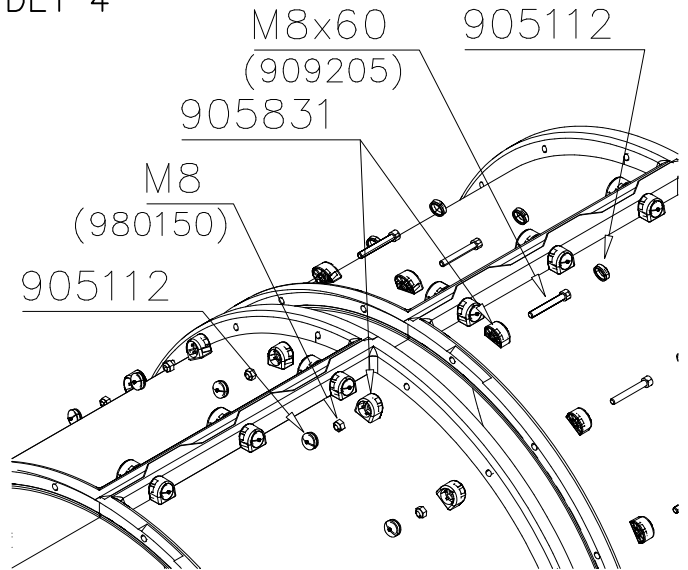
DET 2



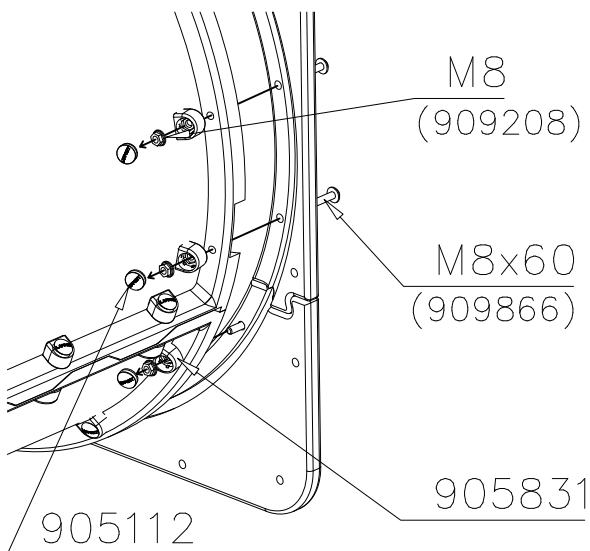
DET 3



DET 4



DET 5



DET 6

