

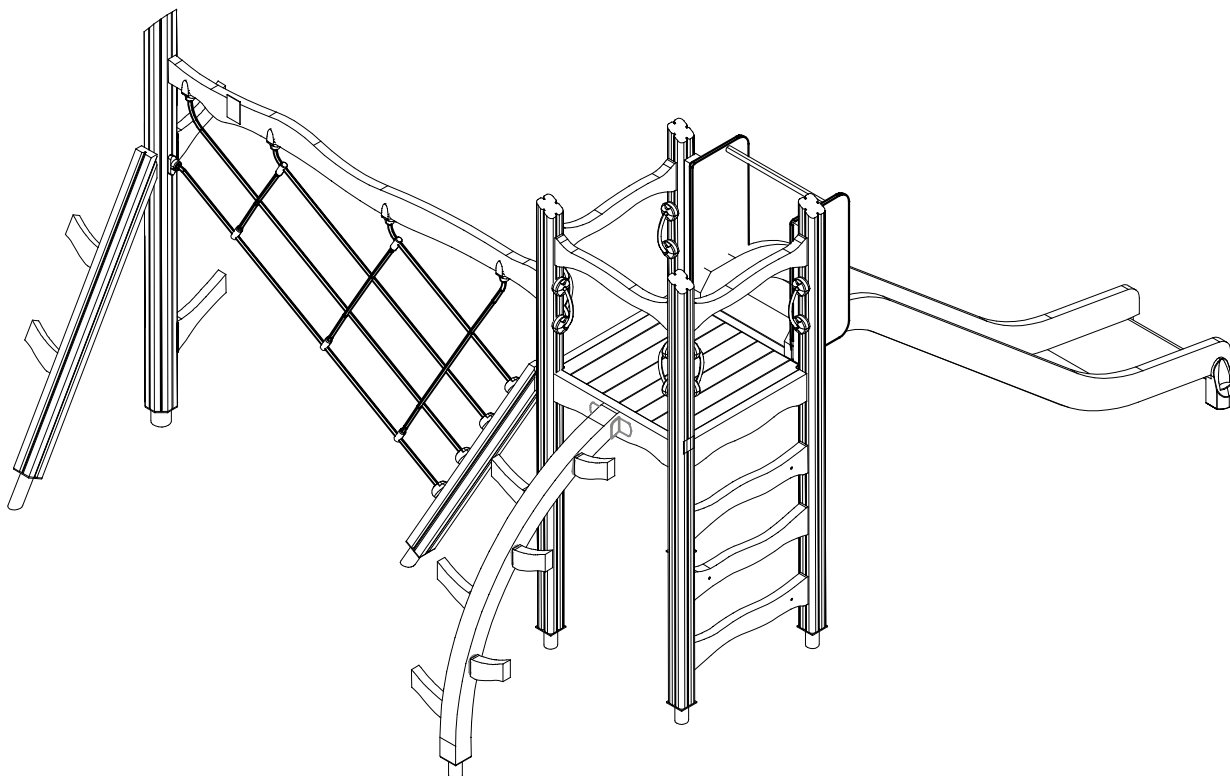
LAPPSET®

FLORA


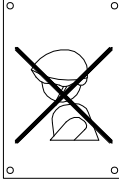
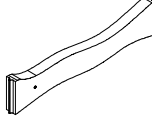
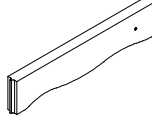
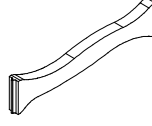


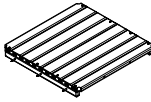

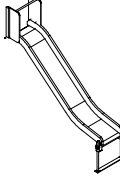

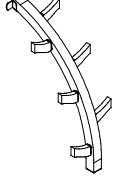





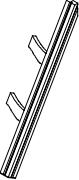

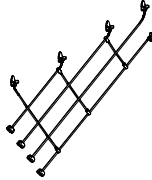

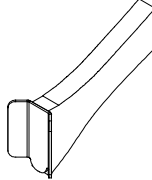

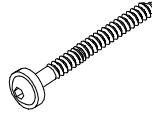

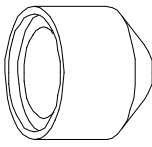
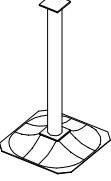

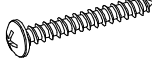
ASENNUSOHJE
MONTERINGSANSVISNING
INSTALLATION INSTRUCTION
AUFBAUANLEITUNG
NOTICE D'INSTALLATION

DATE: 19.6.2024

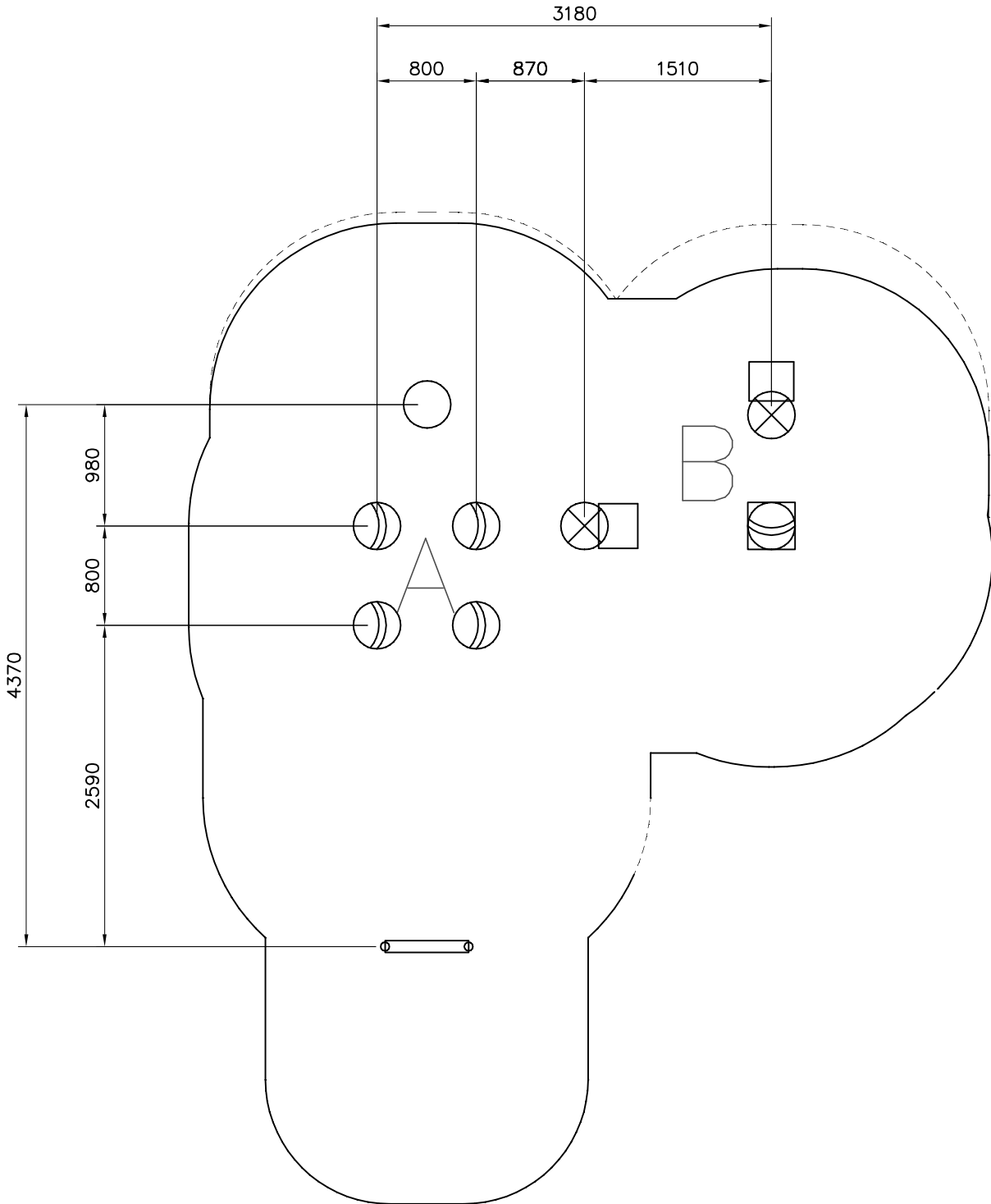
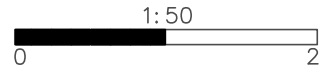
QFL0060



DATE: 19.6.2024

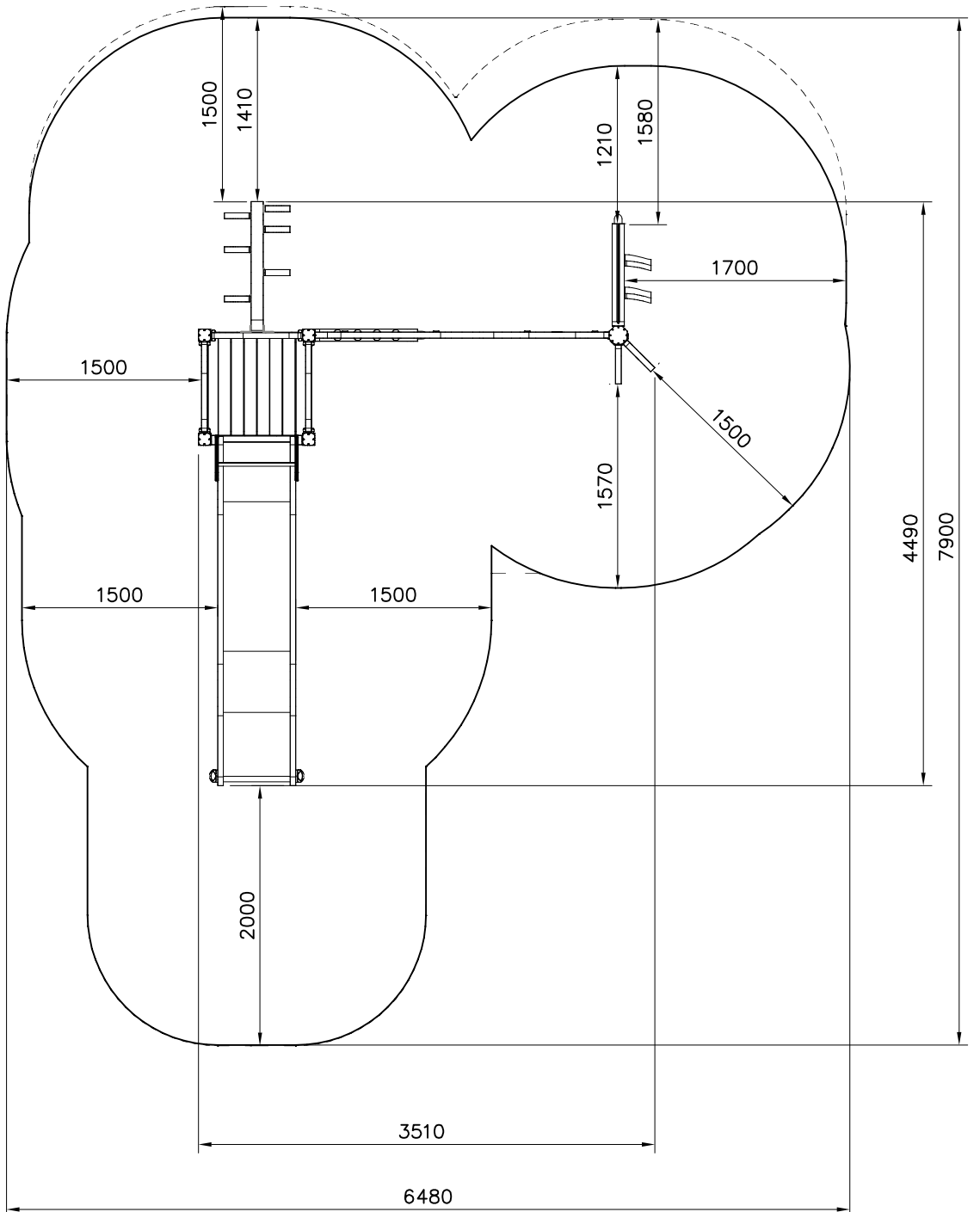
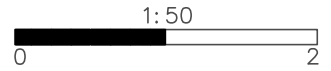
702286  65x65	PCS 1	702339  118x78	PCS 1	705197-001  45x145x724	PCS 3	705211-001  45x145x715	PCS 4	705214-001  45x145x724	PCS 3	705217-001  93x93x2250	PCS 4
705225-001  93x93x1527	PCS 1	705258-001  	PCS 1	705308-001  	PCS 1	705368-001  	PCS 1	705511  	PCS 6	705807-001  140x140x2094	PCS 1
705816-001  45x143x2280	PCS 1	705819-001  	PCS 1	705945  	PCS 1	711514-001  	PCS 3	903093  Ø8x90	PCS 40	903112  l=750	PCS 1
905104  M10	PCS 36	909521  	PCS 7	980114  Ø4x20	PCS 8		PCS		PCS		PCS
	PCS		PCS		PCS		PCS		PCS		PCS
	PCS		PCS		PCS		PCS		PCS		PCS
	PCS		PCS		PCS		PCS		PCS		PCS

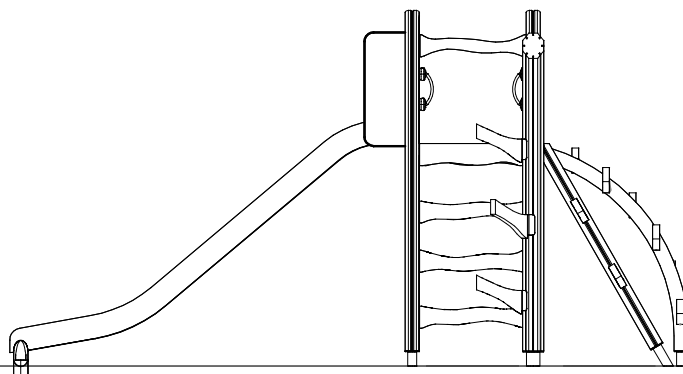
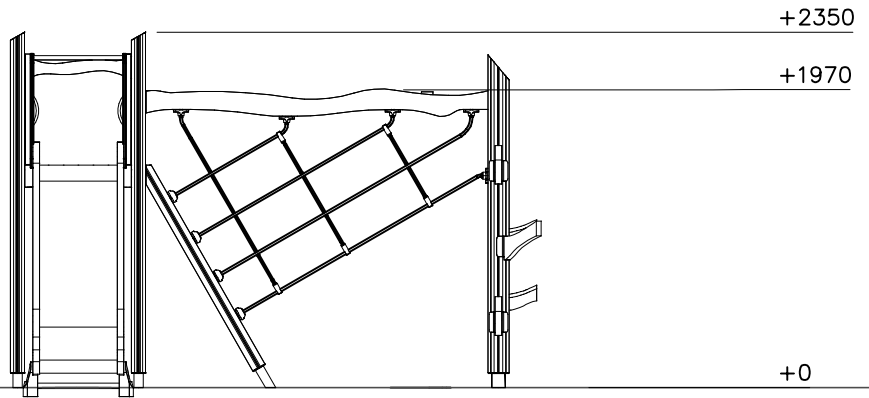
— EN/AS Impact Area 34.4 m²
- - - Falling Space 35.7 m²
Max Falling Height 1970 mm

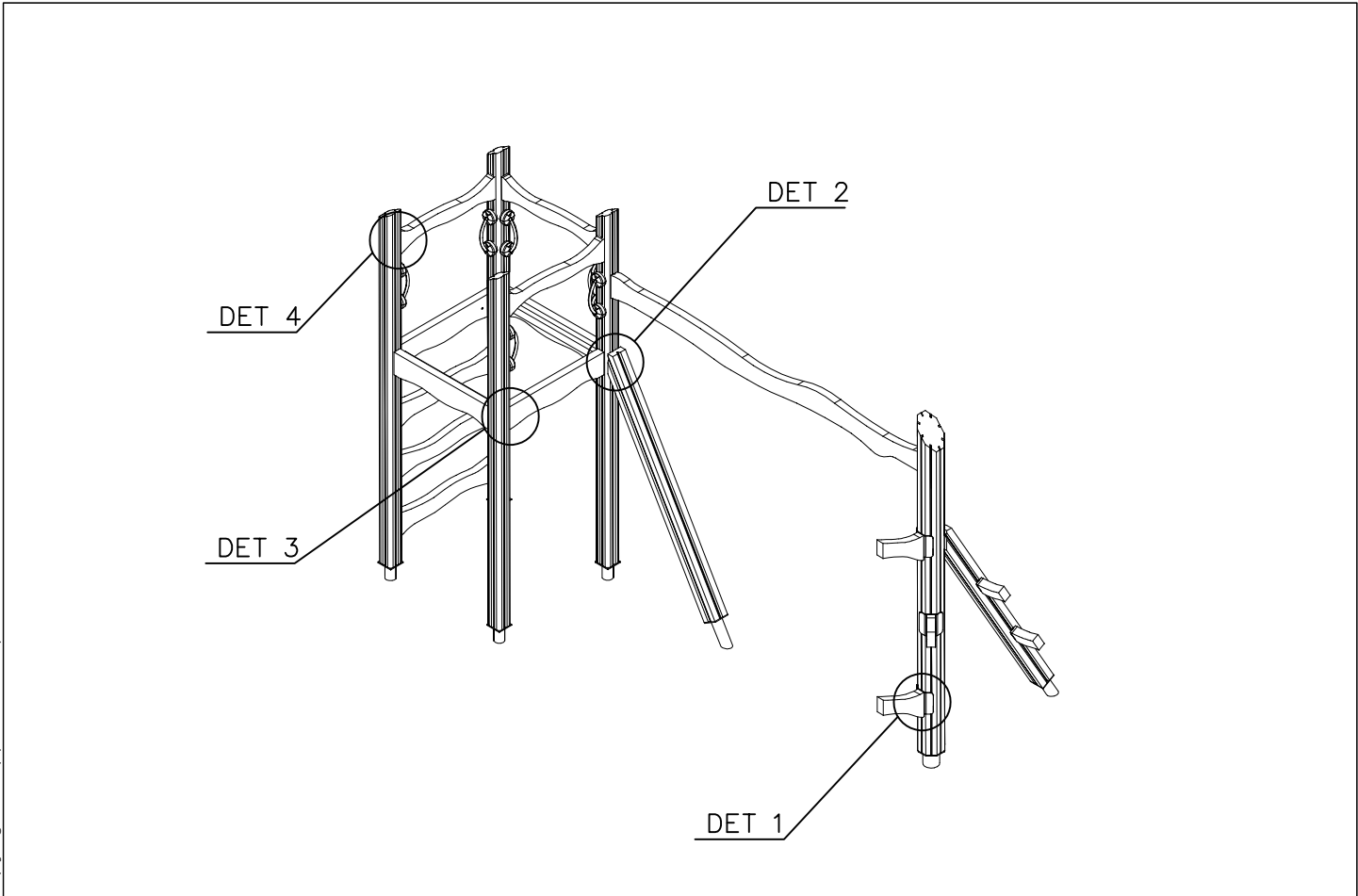
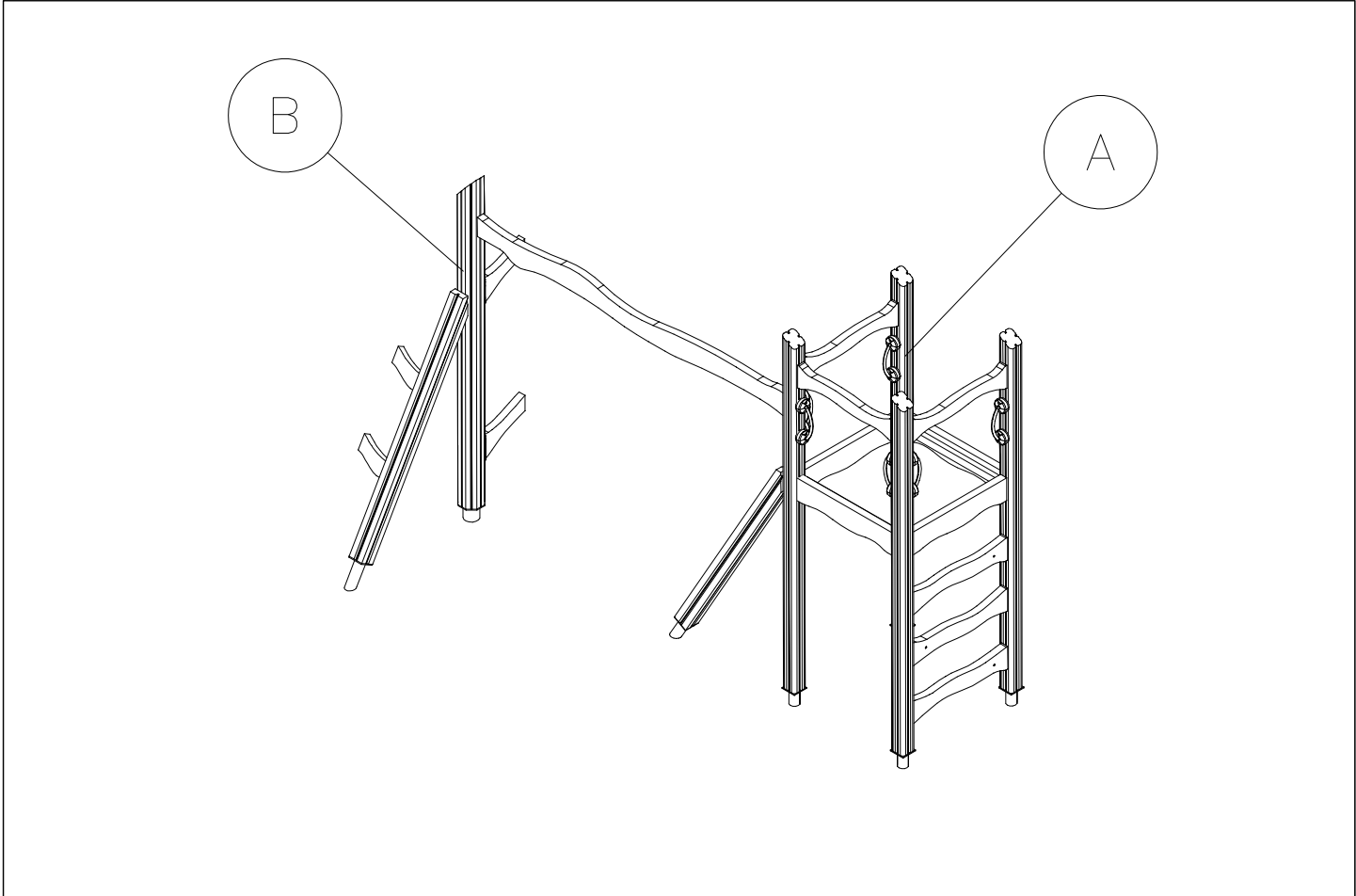


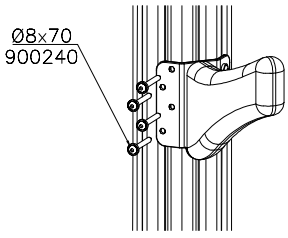
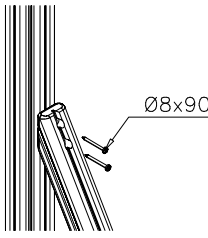
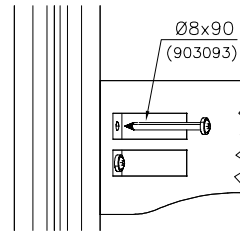
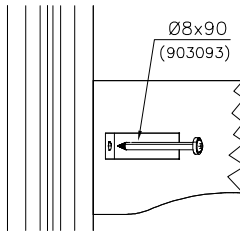
<p>M10 905104</p>	<p>100 S 600</p>	<p>100 Sand 0.2-2 mm/ Gravel 2-8 mm S 580</p>
<p>S 600</p>	<p>Ø7x40 901879 Haxi Slide sheet gap Liukupelti rako.</p>	<p>M12x40 Ø24/13</p>
<p>M10 905104 903112</p>	<p>Sand 0.2-2 mm/ Gravel 2-8 mm 100 S 650 Concrete 500x500x300</p>	

- EN/AS Impact Area 34.3 m²
- - - Falling Space 35.7 m²
Max Falling Height 1970 mm

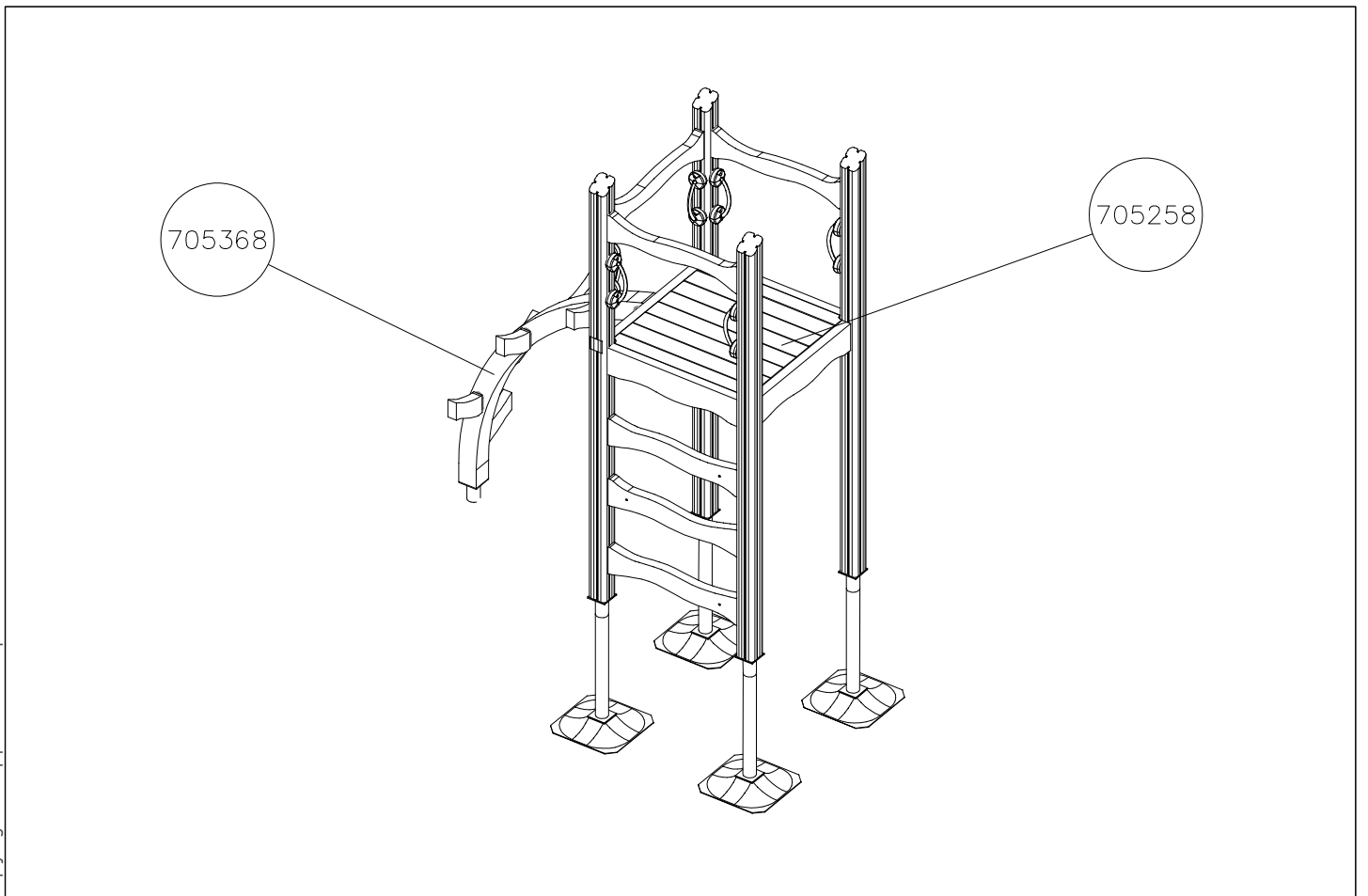
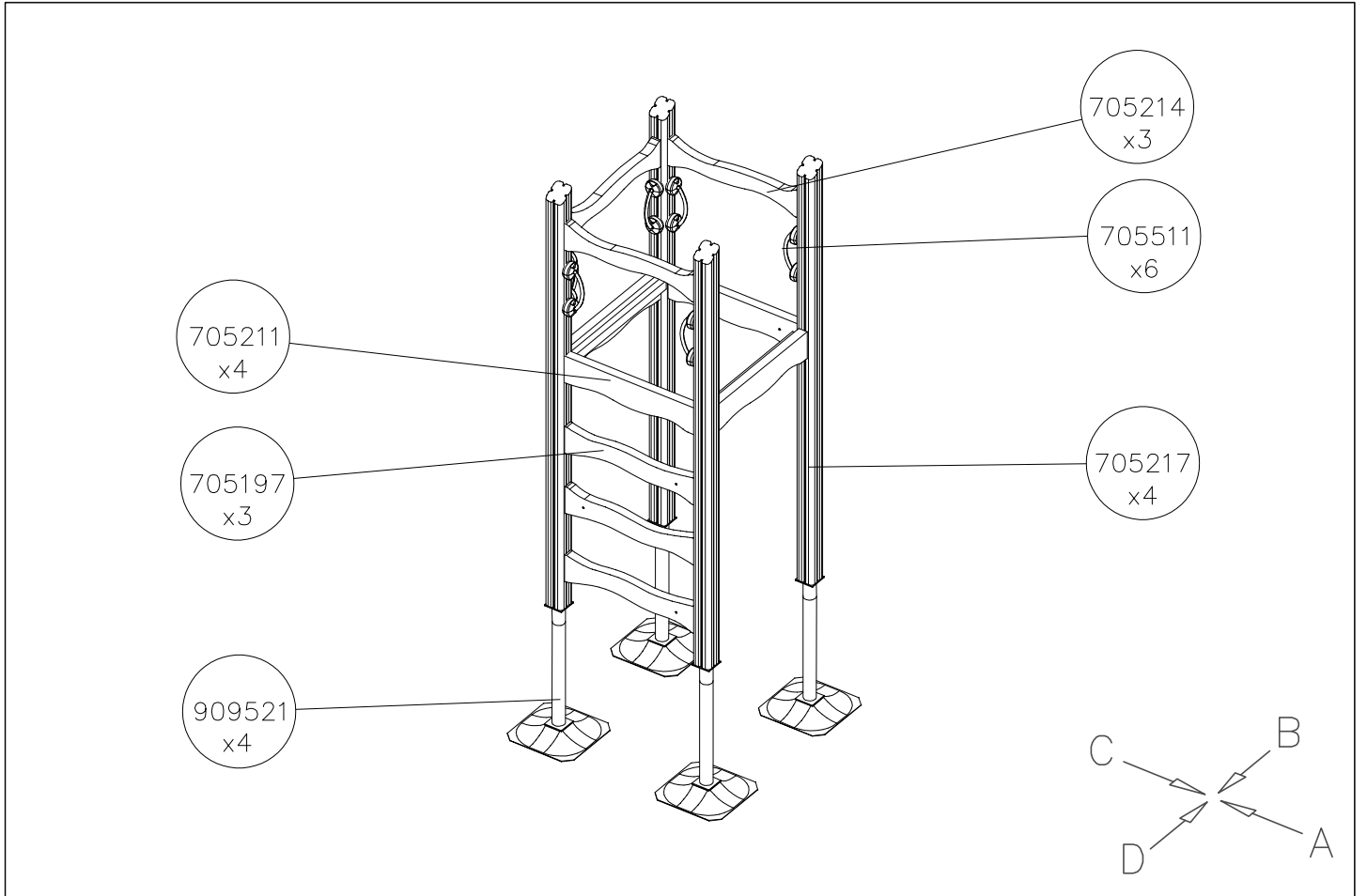






<p>DET 1</p> 	<p>DET 2</p> 	<p>DET 3</p> 	<p>DET 4</p> 

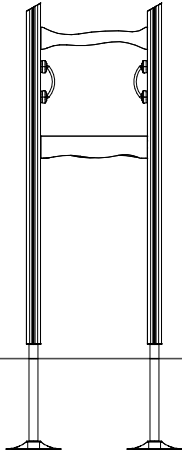
DATE: 19.6.2024



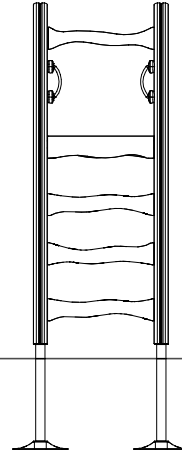
DATE: 19.6.2024

1:50

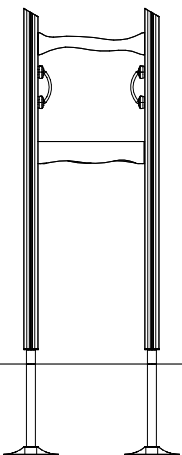
A



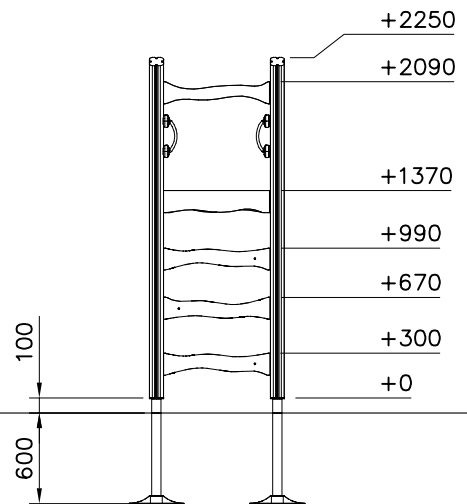
B

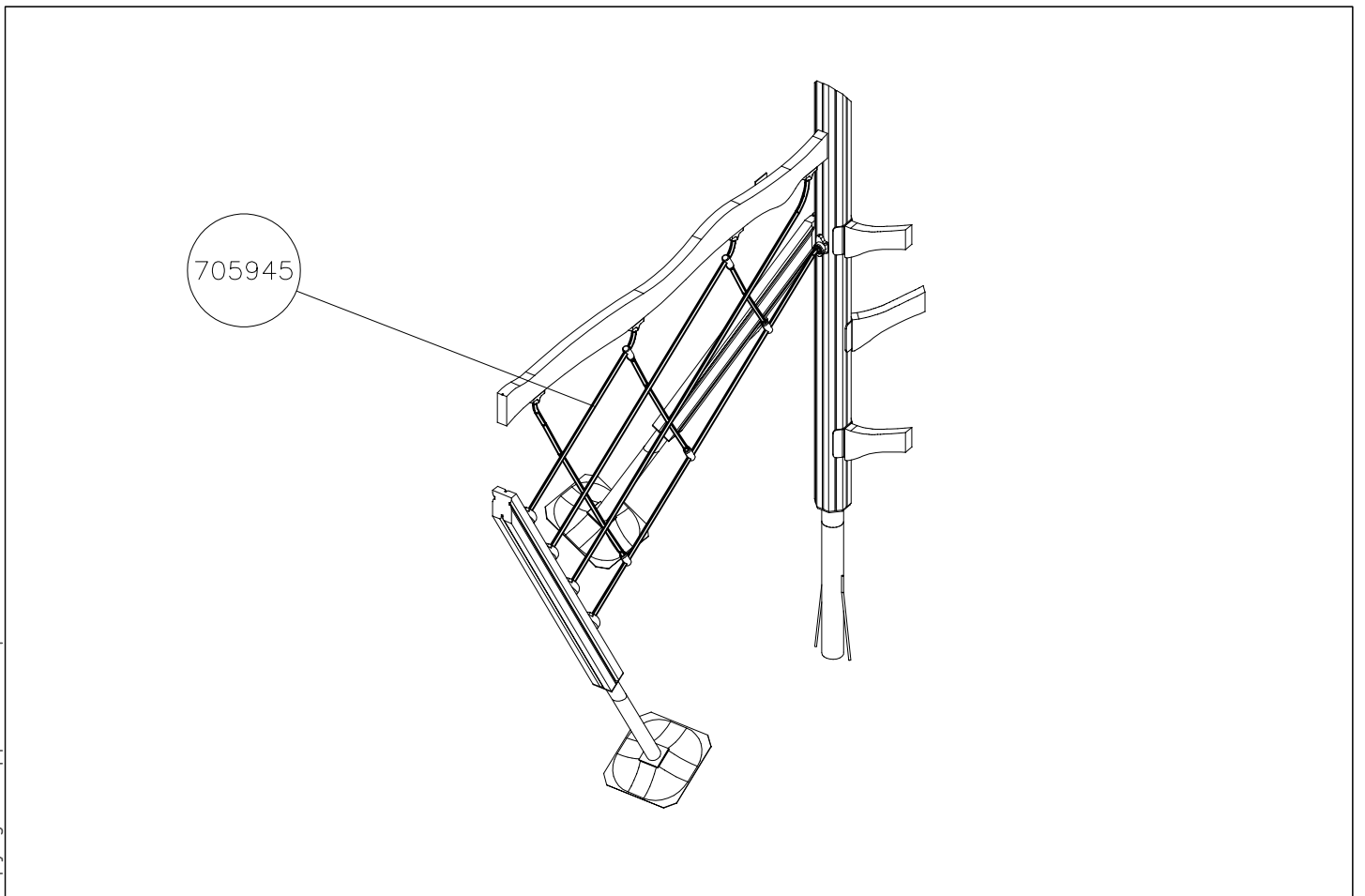
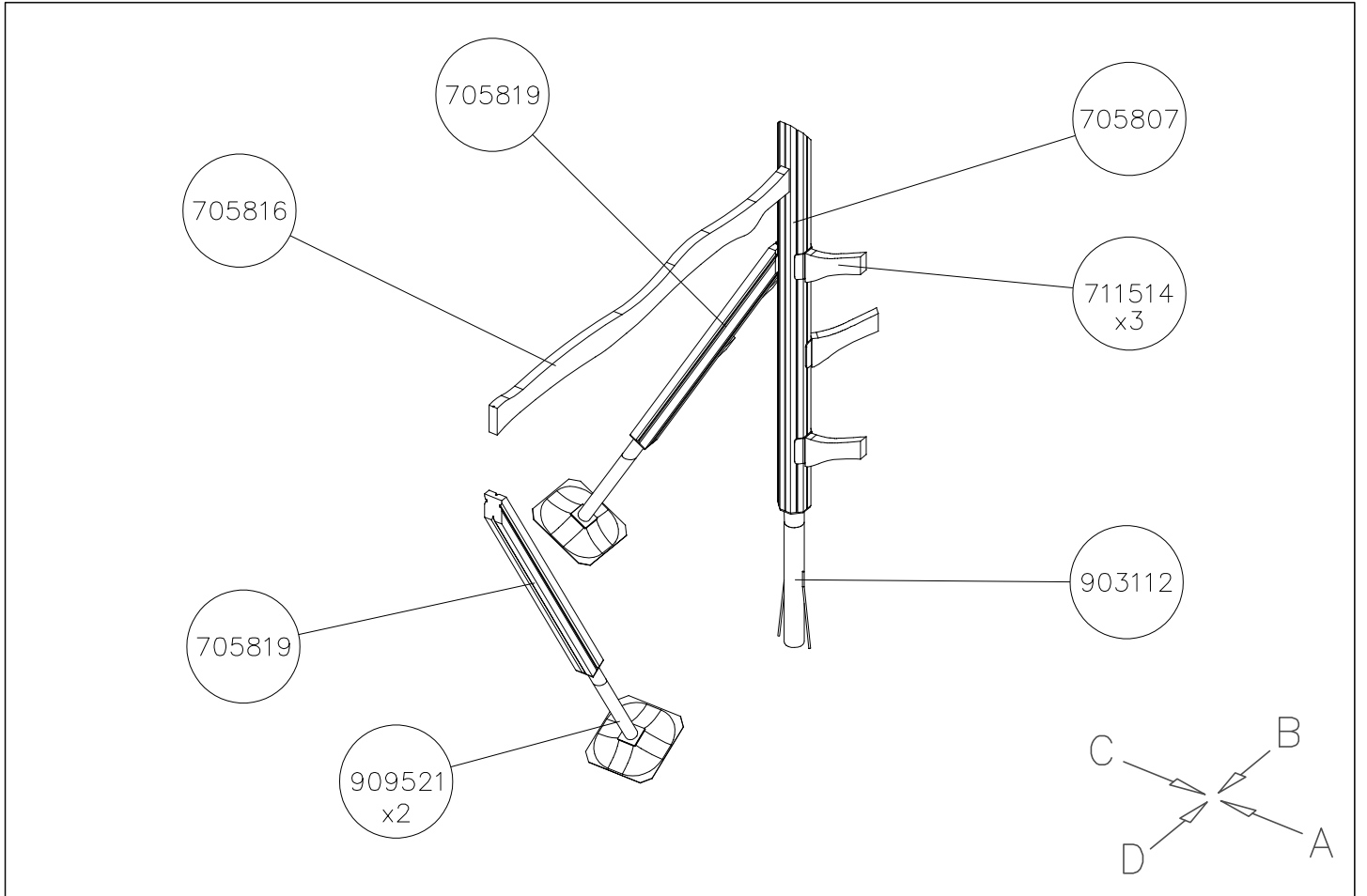


C



D



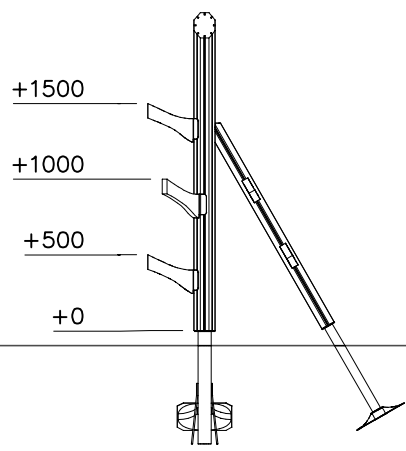
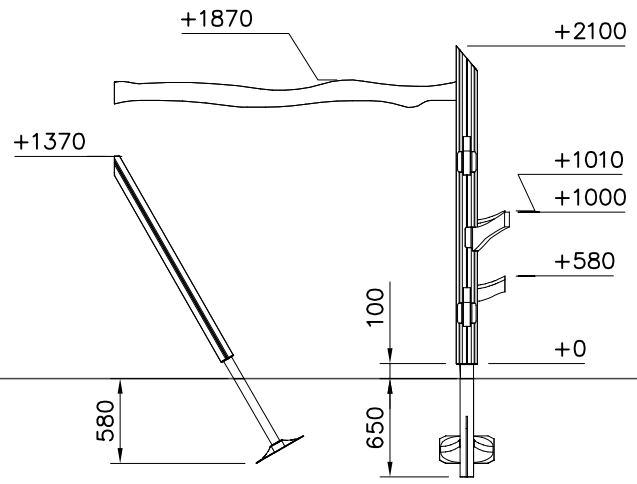


DATE: 19.6.2024

1:50

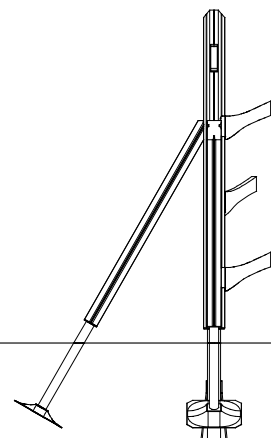
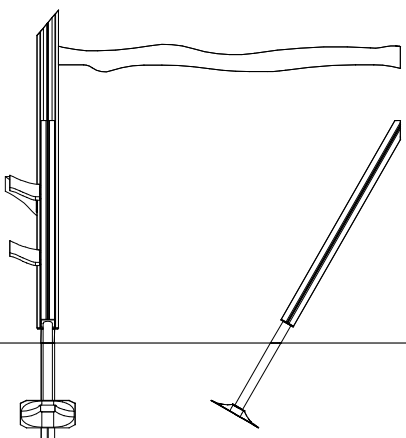
A

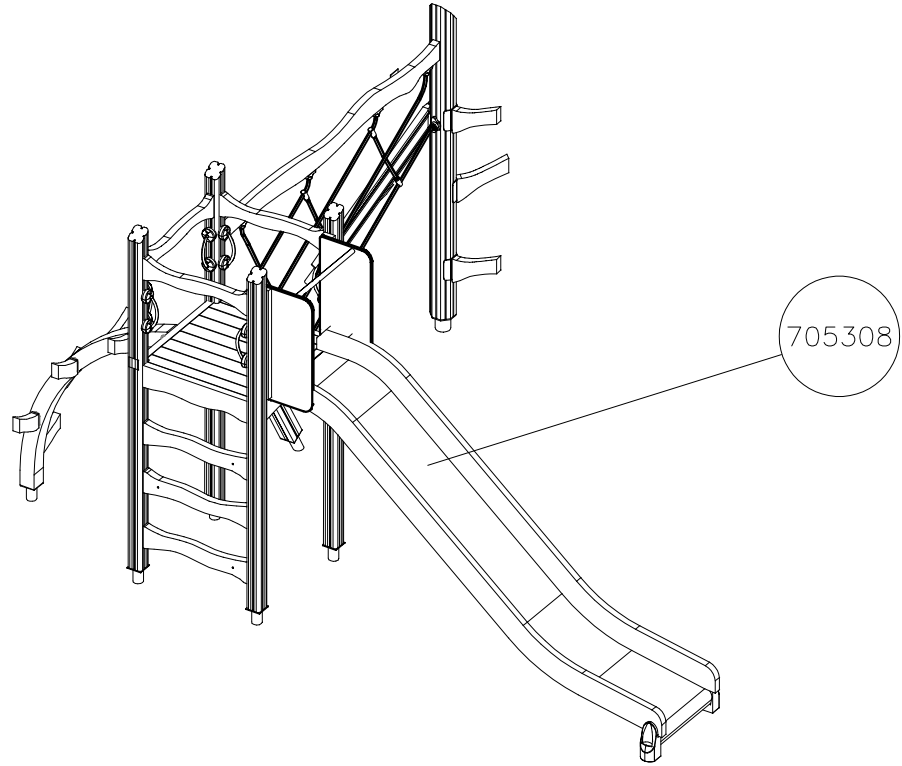
B



C

D





Max Falling Height 1970mm

