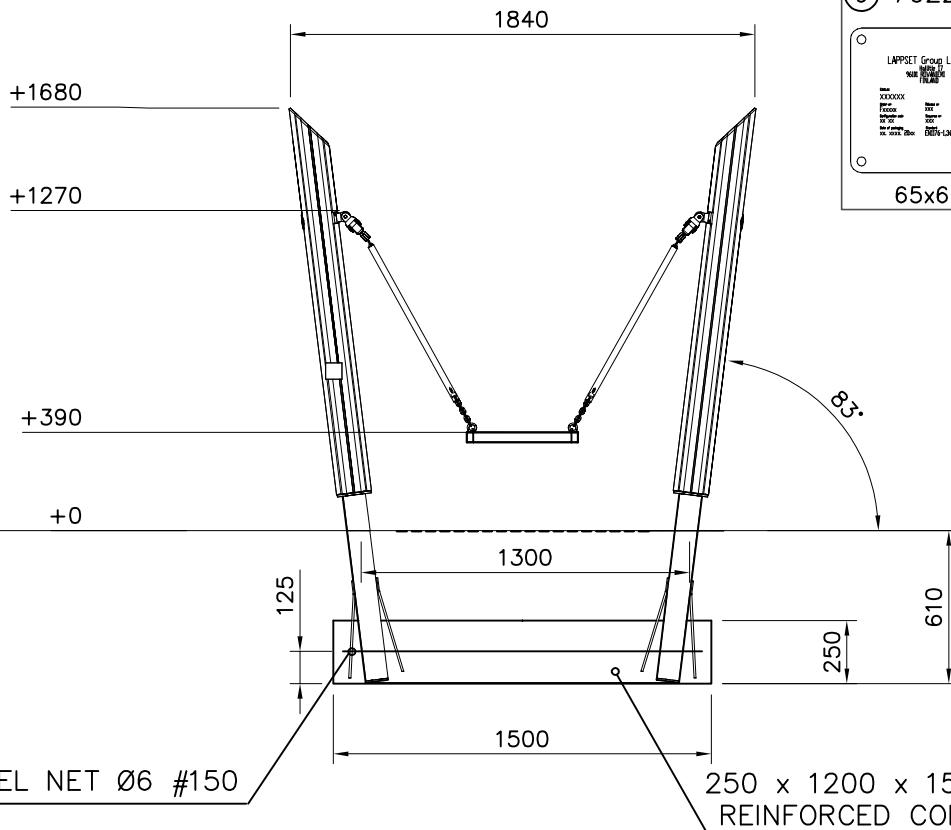
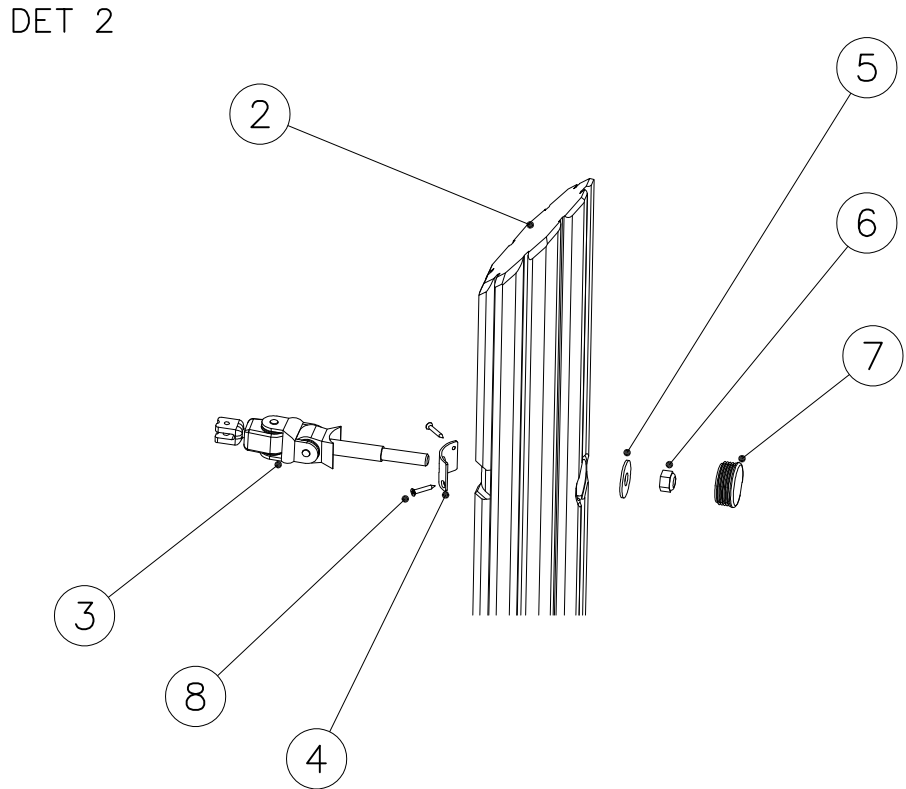
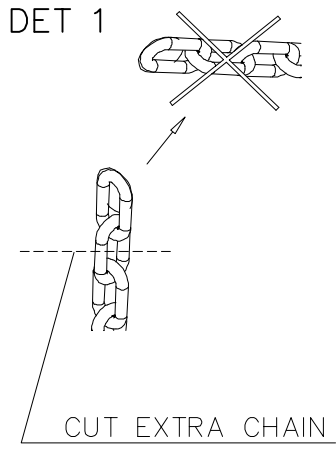


| | | | |
|----------|-----|--------------|-----|
| ① 903112 | PCS | ② 709126-001 | PCS |
| 2 | | 2 | |
| 750 | | 140x140x1550 | |
| ③ 908414 | PCS | ④ 910702 | PCS |
| 2 | | 2 | |
| | | 2.9x44x61 | |
| ⑤ 910722 | PCS | ⑥ 903158 | PCS |
| 2 | | 2 | |
| 50/17x3 | | M16 | |
| ⑦ 908612 | PCS | ⑧ 980129 | PCS |
| 2 | | 4 | |
| Ø60x27 | | Ø5x35 | |
| ⑨ 702286 | PCS | 980114 | PCS |
| 1 | | 4 | |
| 65x65 | | Ø4x20 | |
| | | 905104 | PCS |
| | | 16 | |
| | | M10 | |





—— EN Impact Area 7.7 m²
 - - - - Falling Space 7.7 m²
 Max Falling Height 1000 mm

