

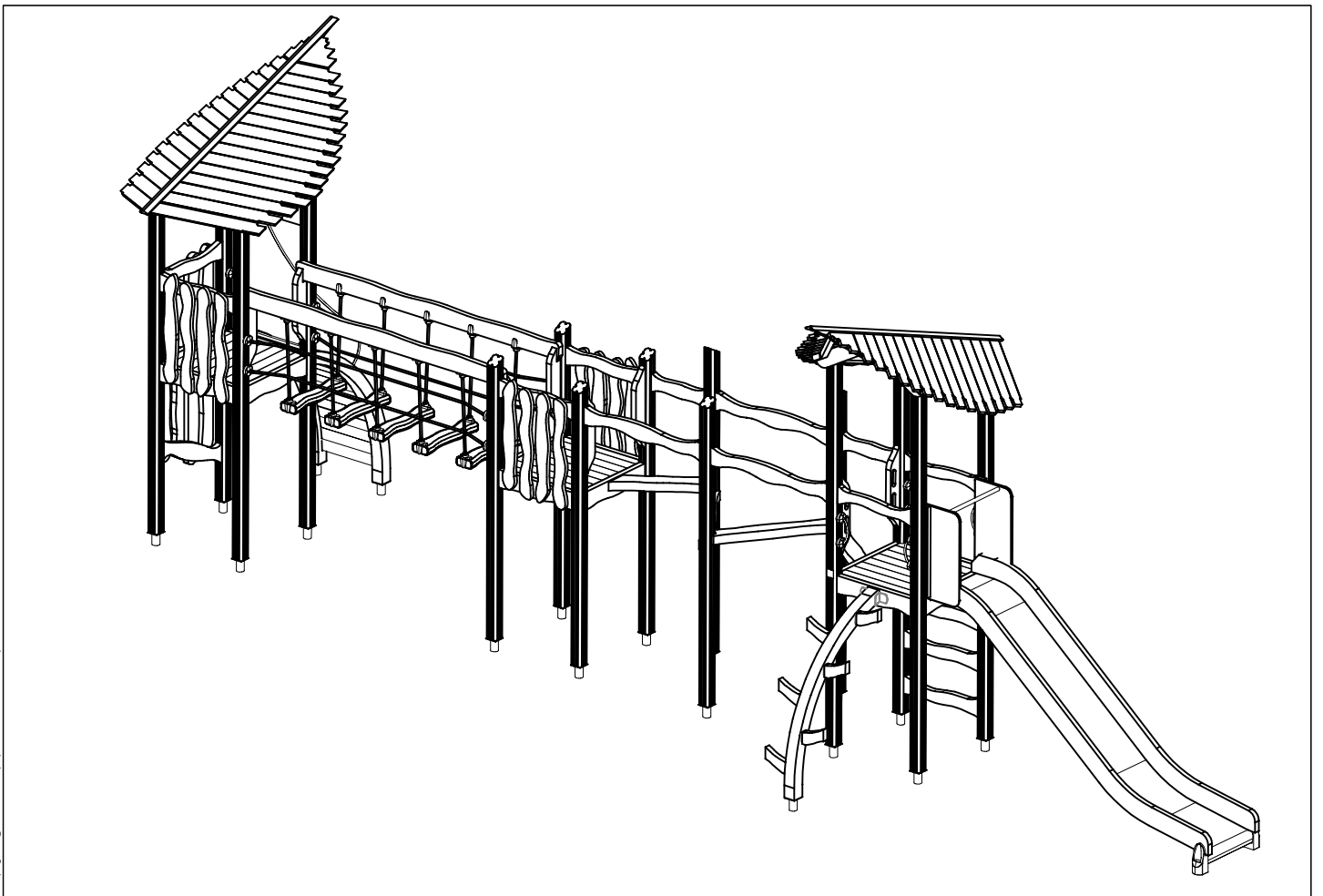
LAPPSET®

FLORA


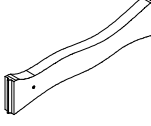
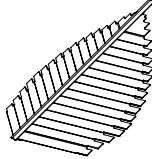

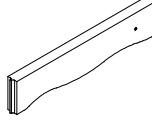
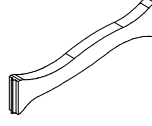


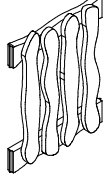



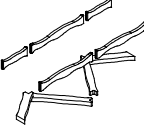

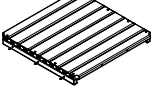

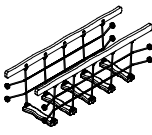

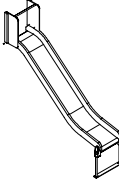

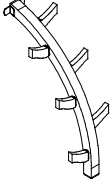



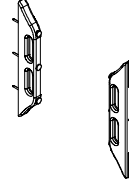

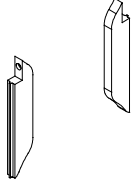



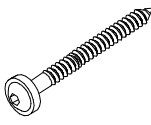
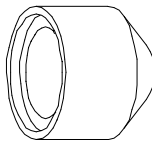
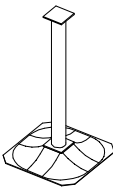

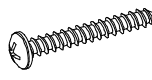
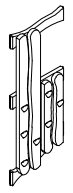

ASENNUSOHJE
MONTERINGSANSVISNING
INSTALLATION INSTRUCTION
AUFBAUANLEITUNG
NOTICE D'INSTALLATION

DATE: 18.6.2024

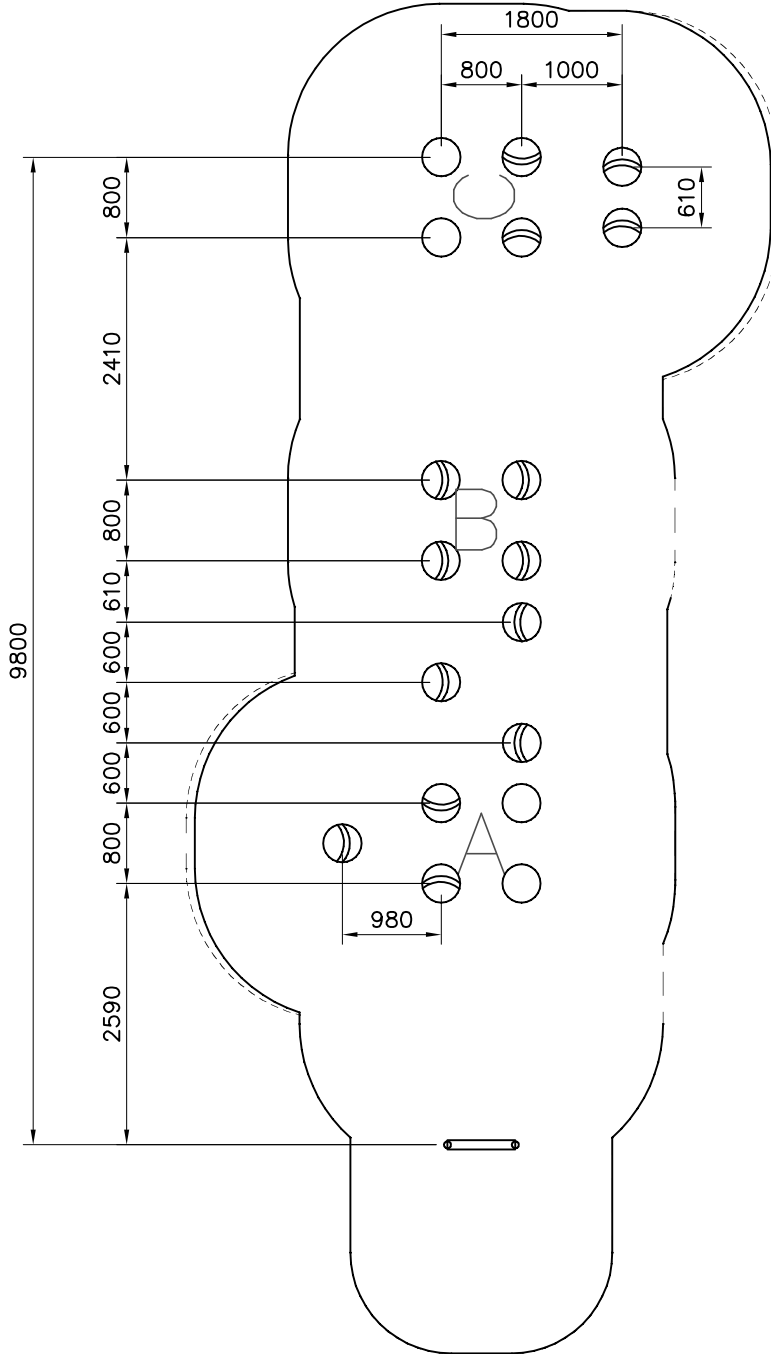
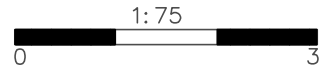
QFL0028

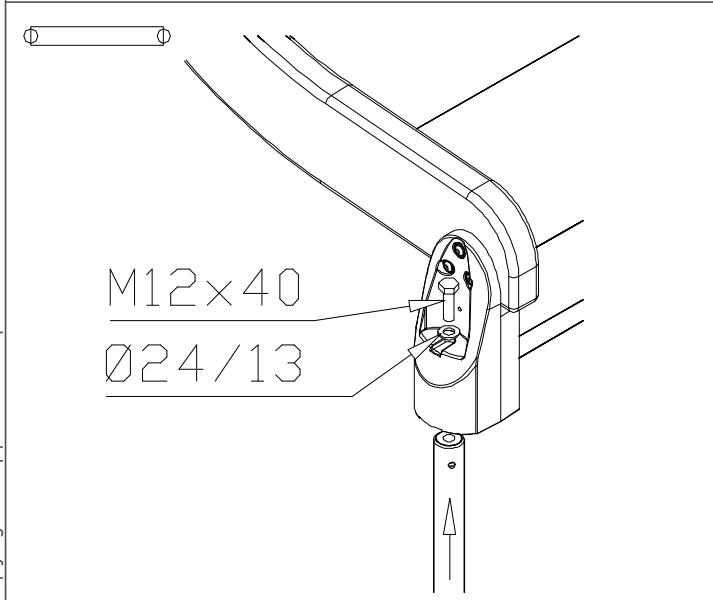
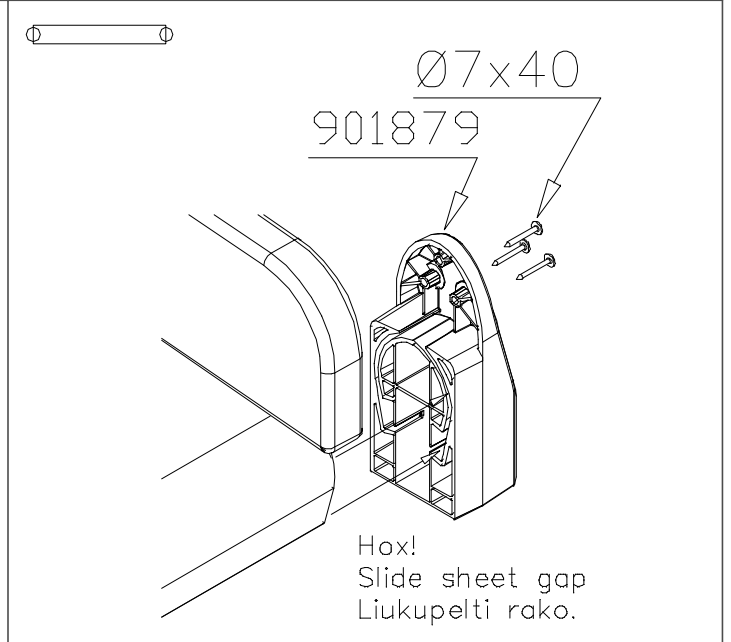
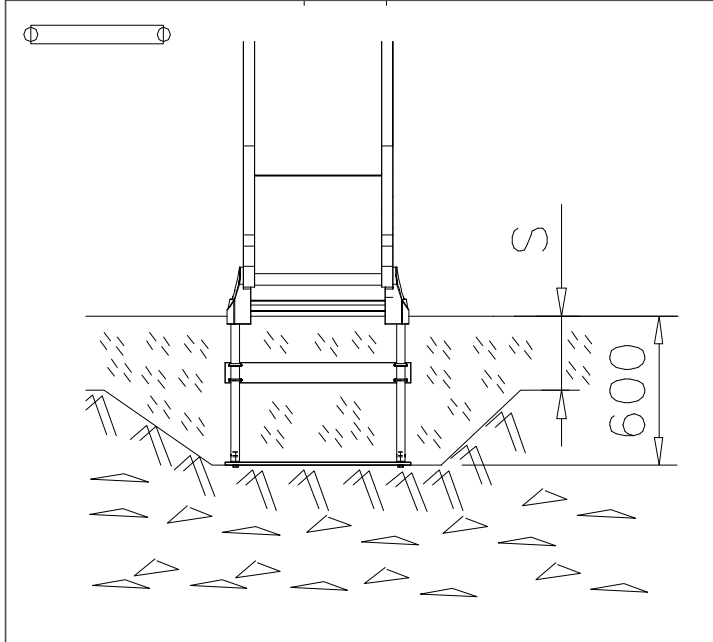
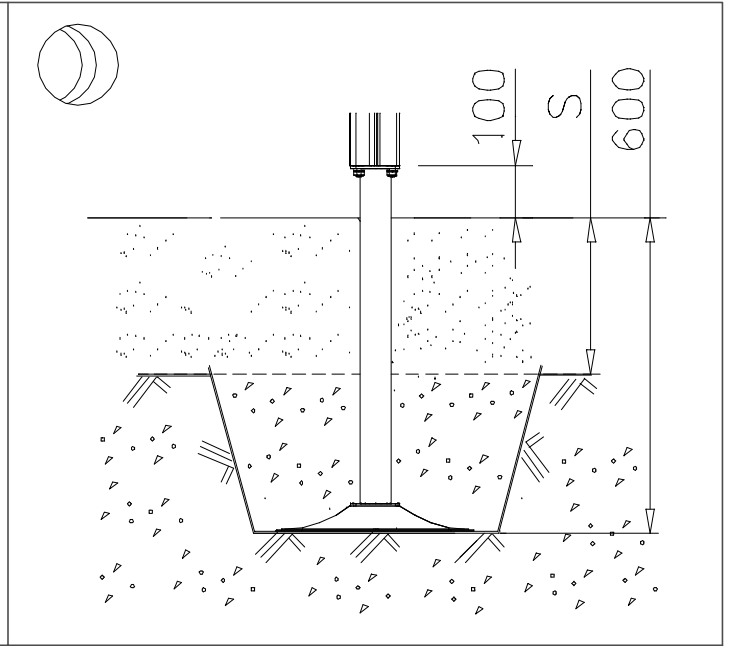
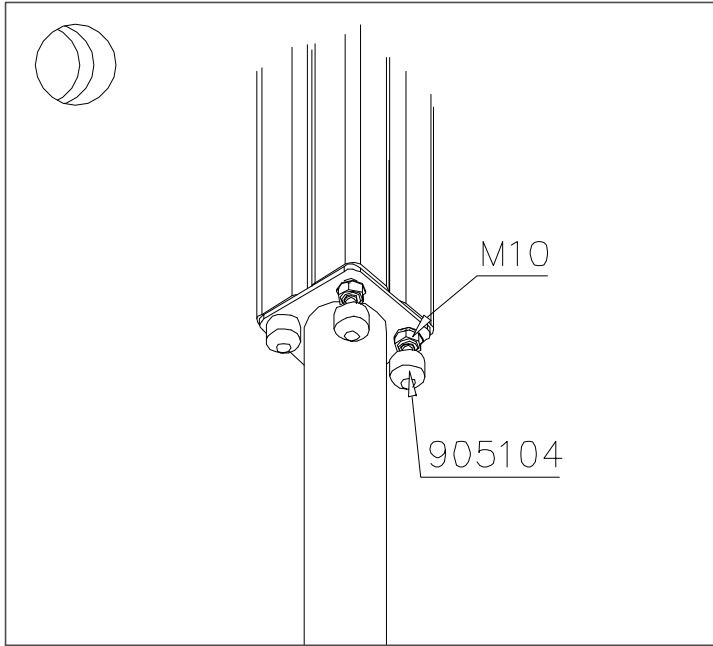


DATE: 18.6.2024

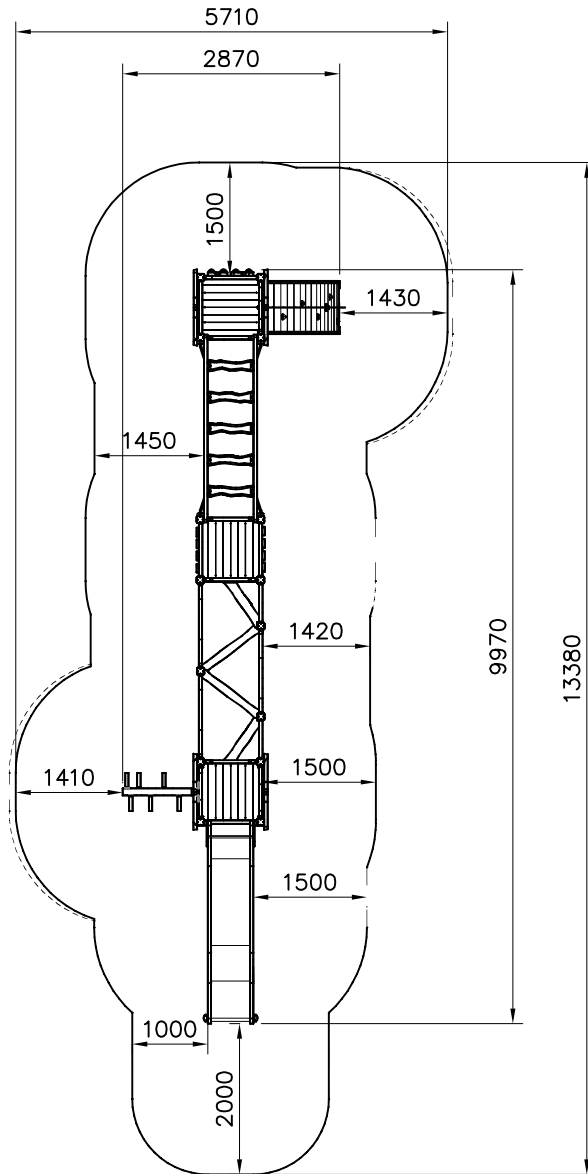
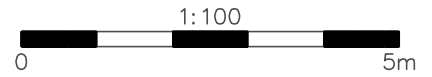
| | | | | | | | | | | | |
|---|----------|---|-----------|---|-----------|---|-----------|---|----------|--|----------|
| 702286  65x65 | PCS 1 | 705197-614  45x145x724 | PCS 3 | 705203-614   | PCS 2 | 705211-614  45x145x715 | PCS 9 | 705214-614  45x145x724 | PCS 2 | 705217-614  93x93x2250 | PCS 4 |
| 705220-614  93x93x2446 | PCS 3 | 705230-614   | PCS 3 | 705236-614  93x93x3138 | PCS 4 | 705238-614  93x93x2846 | PCS 4 | 705247-614   | PCS 1 | 705258-614   | PCS 3 |
| 705262-614   | PCS 1 | 705308-614   | PCS 1 | 705368-614   | PCS 1 | 705375-614   | PCS 1 | 705506-614   | PCS 2 | 705507-614   | PCS 2 |
| 705511   | PCS 6 | 903093  8x90 | PCS 64 | 905104  M10 | PCS 72 | 909521   | PCS 18 | 980114  Ø4x20 | PCS 4 | P10186-614   | PCS 1 |
| | PCS | | PCS | | PCS | | PCS | | PCS | | PCS |
| | PCS | | PCS | | PCS | | PCS | | PCS | | PCS |
| | PCS | | PCS | | PCS | | PCS | | PCS | | PCS |

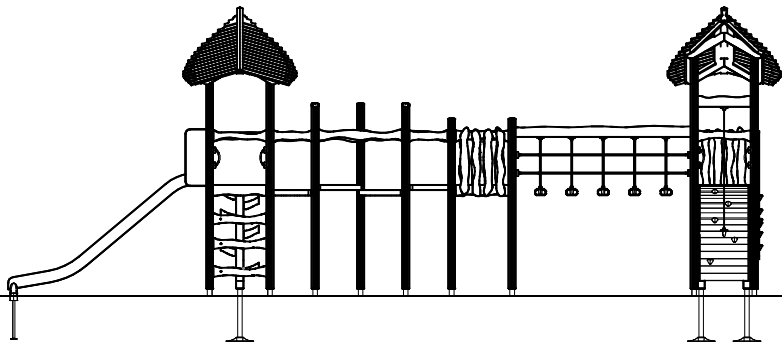
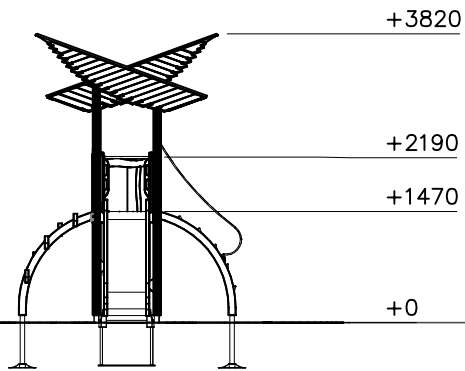
- EN/AS Impact Area 51.4 m²
- - - - Falling Space 52 m²
Max Falling Height 0000 mm

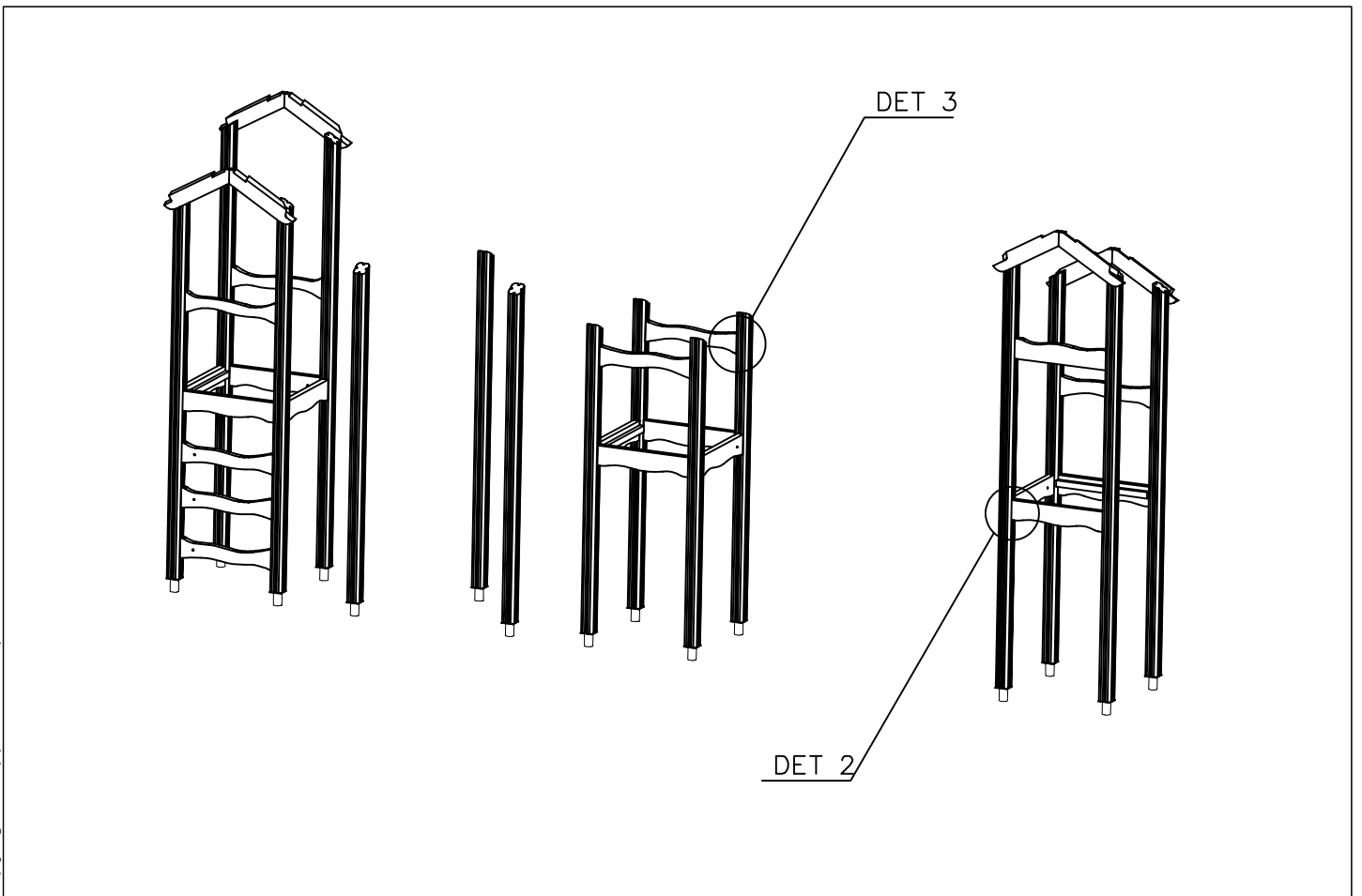
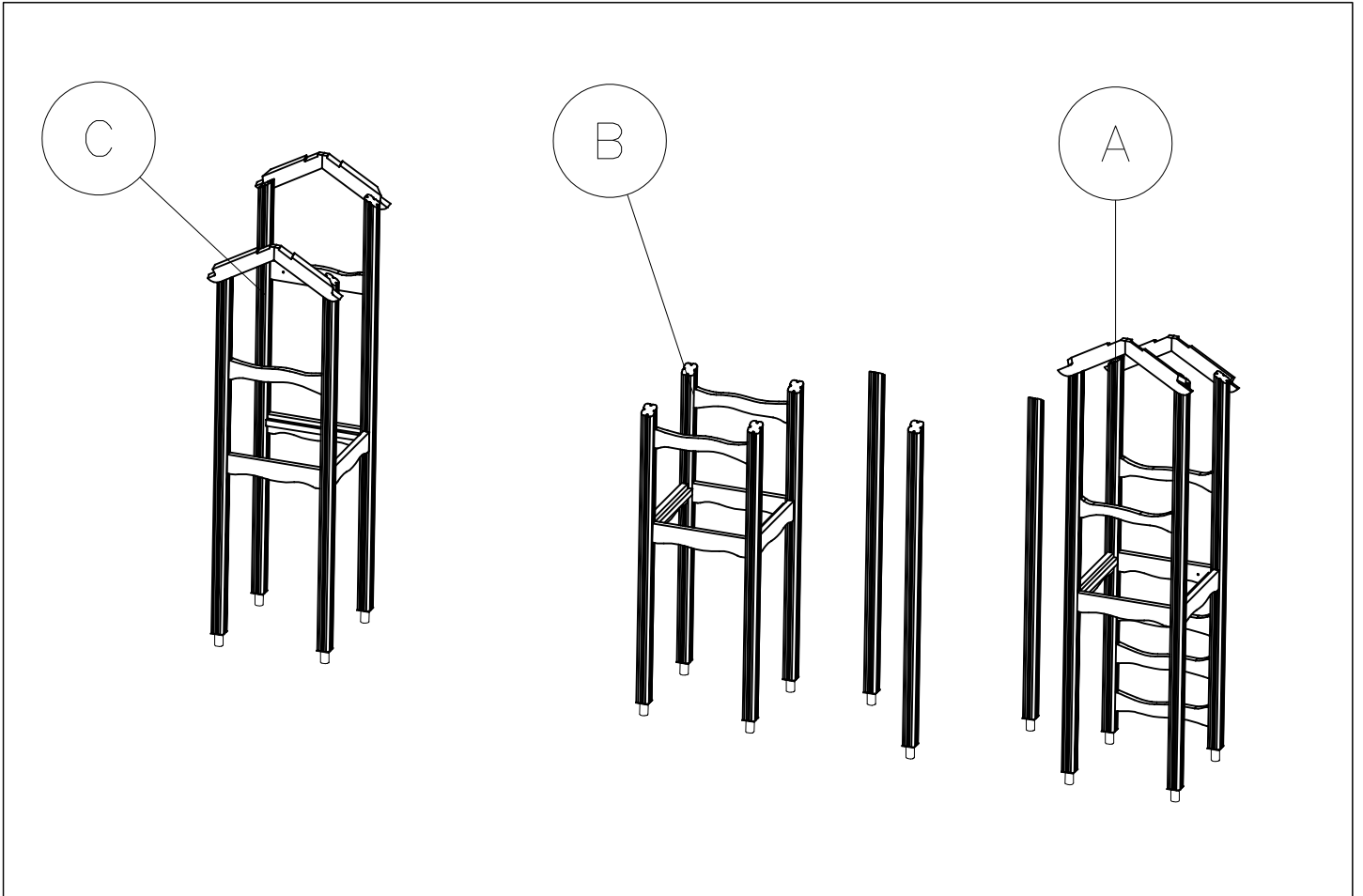



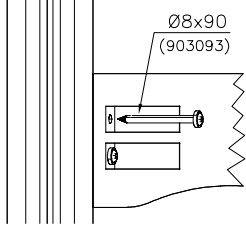
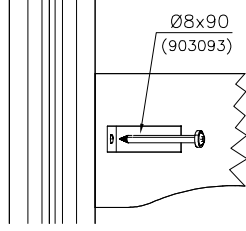


- EN/AS Impact Area 51.4 m²
- - - - Falling Space 52 m²
Max Falling Height 1470 mm

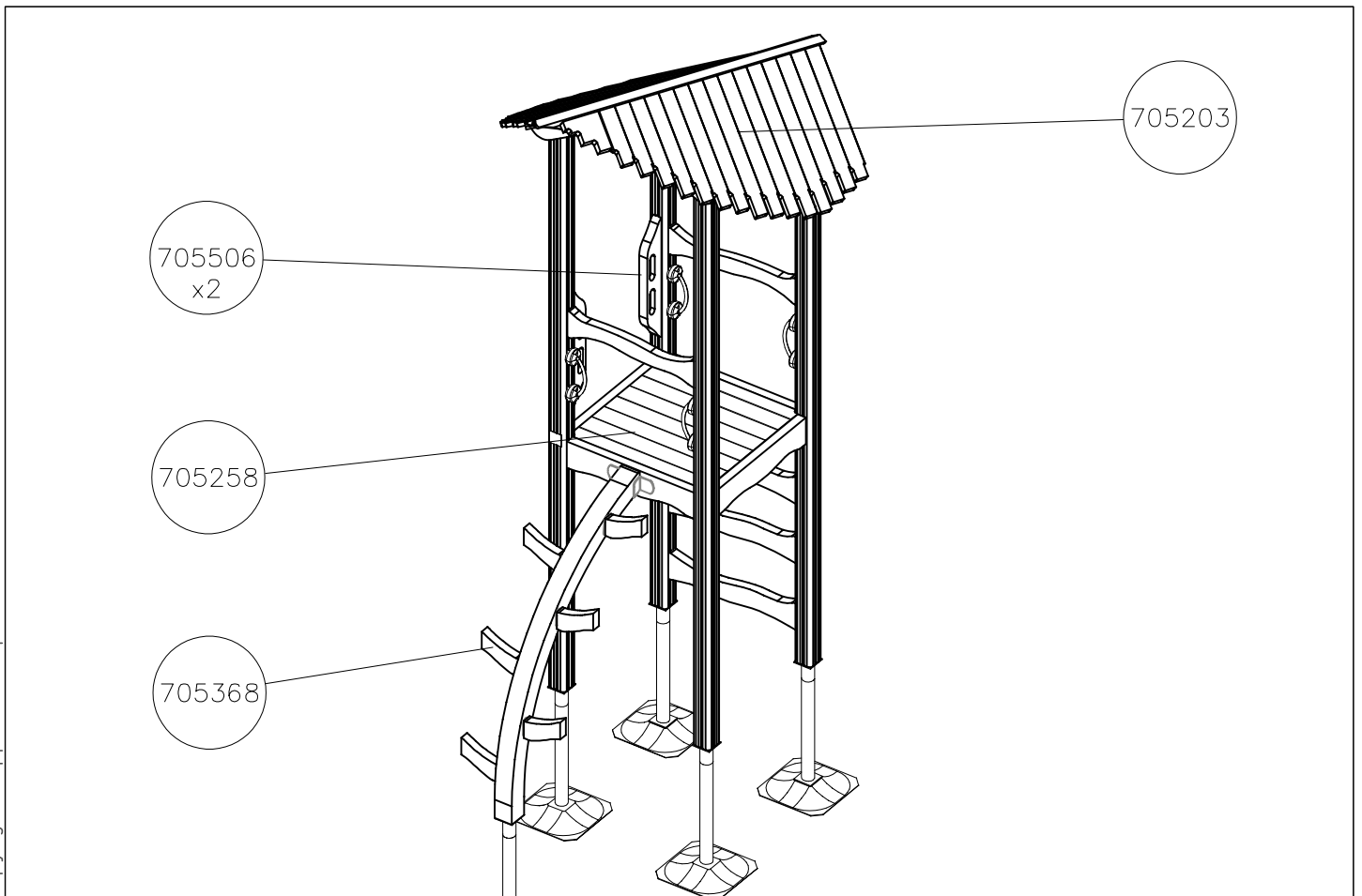
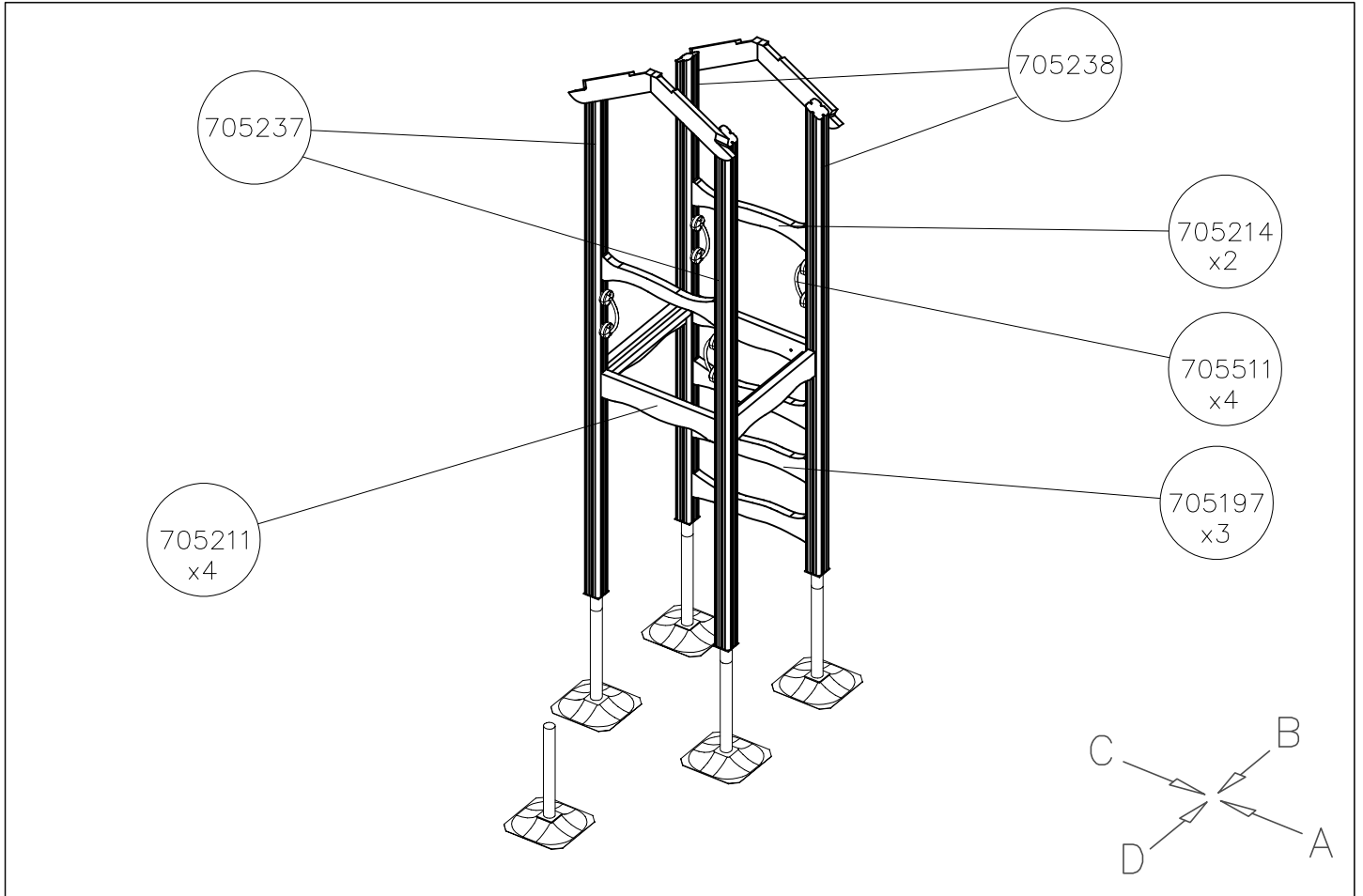






| DET 1 | DET 2 | DET 3 | |
|---|---|--|--|
|  |  |  | |
| | | | |
| | | | |
| | | | |

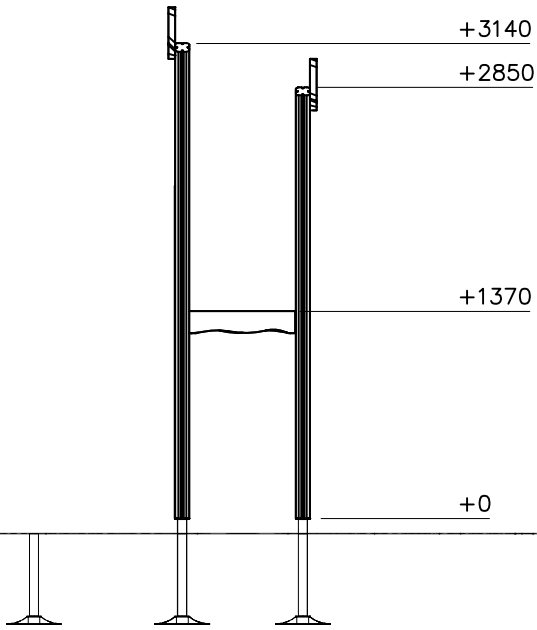
DATE: 18.6.2024



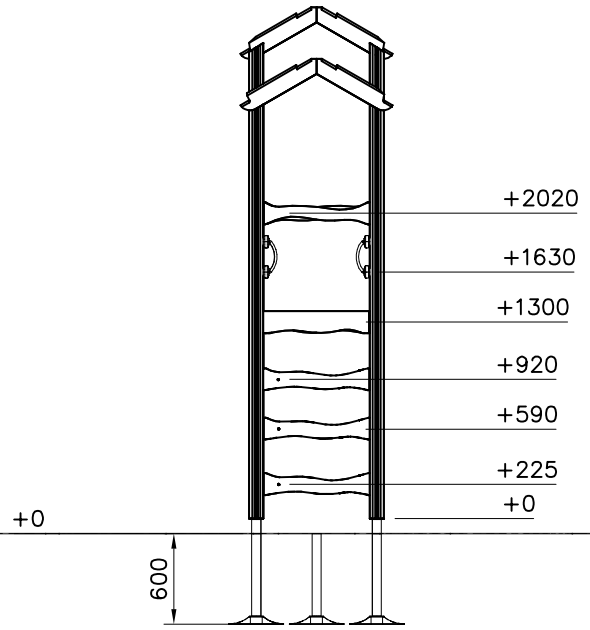
DATE: 18.6.2024

1: 50

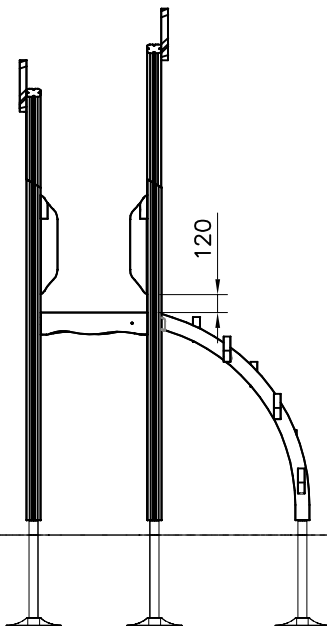
A



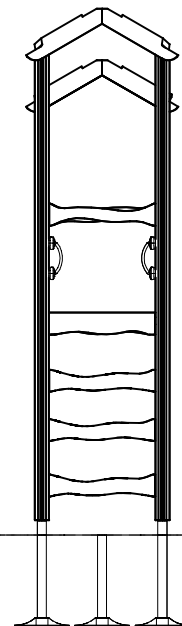
B

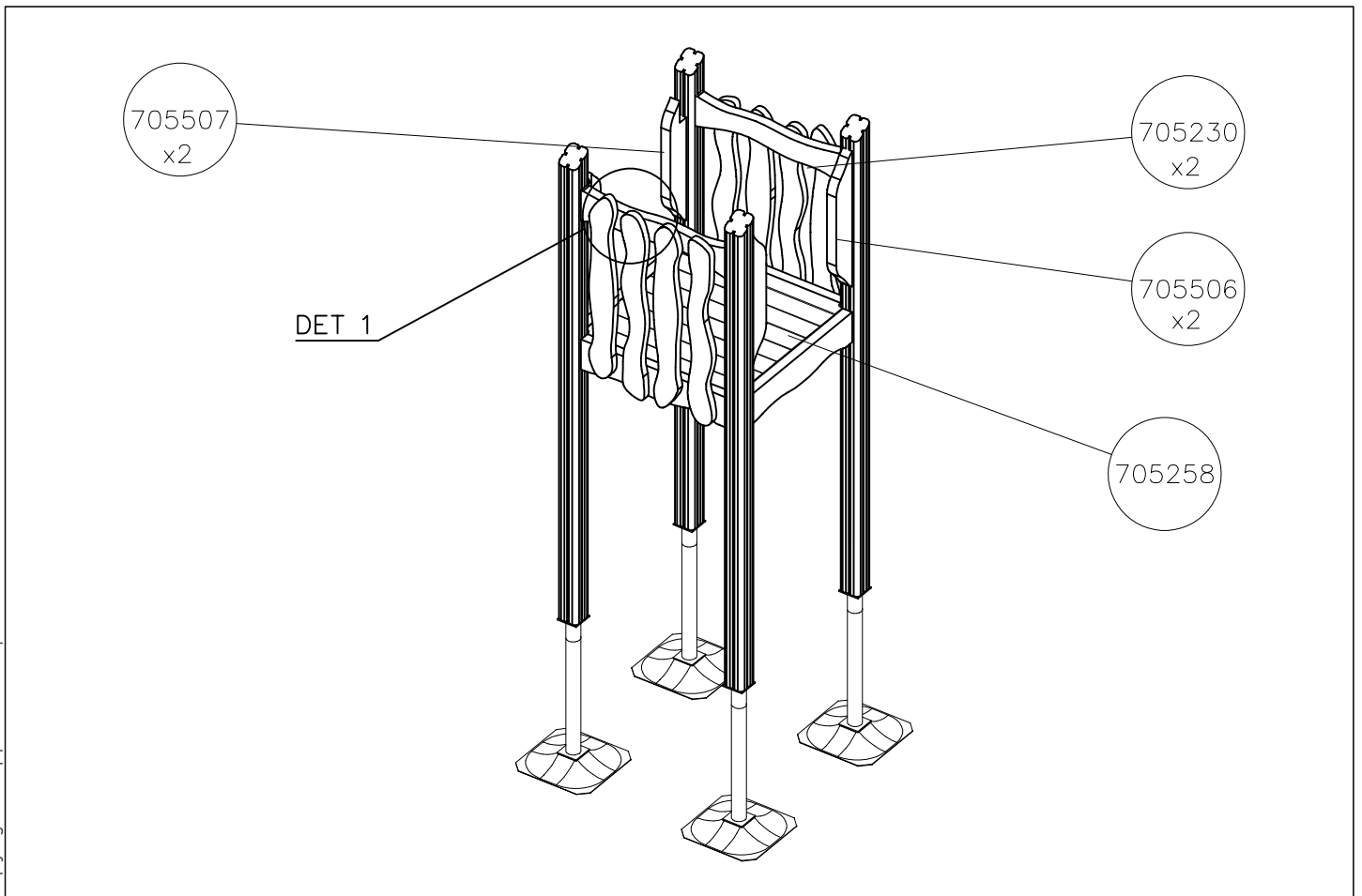
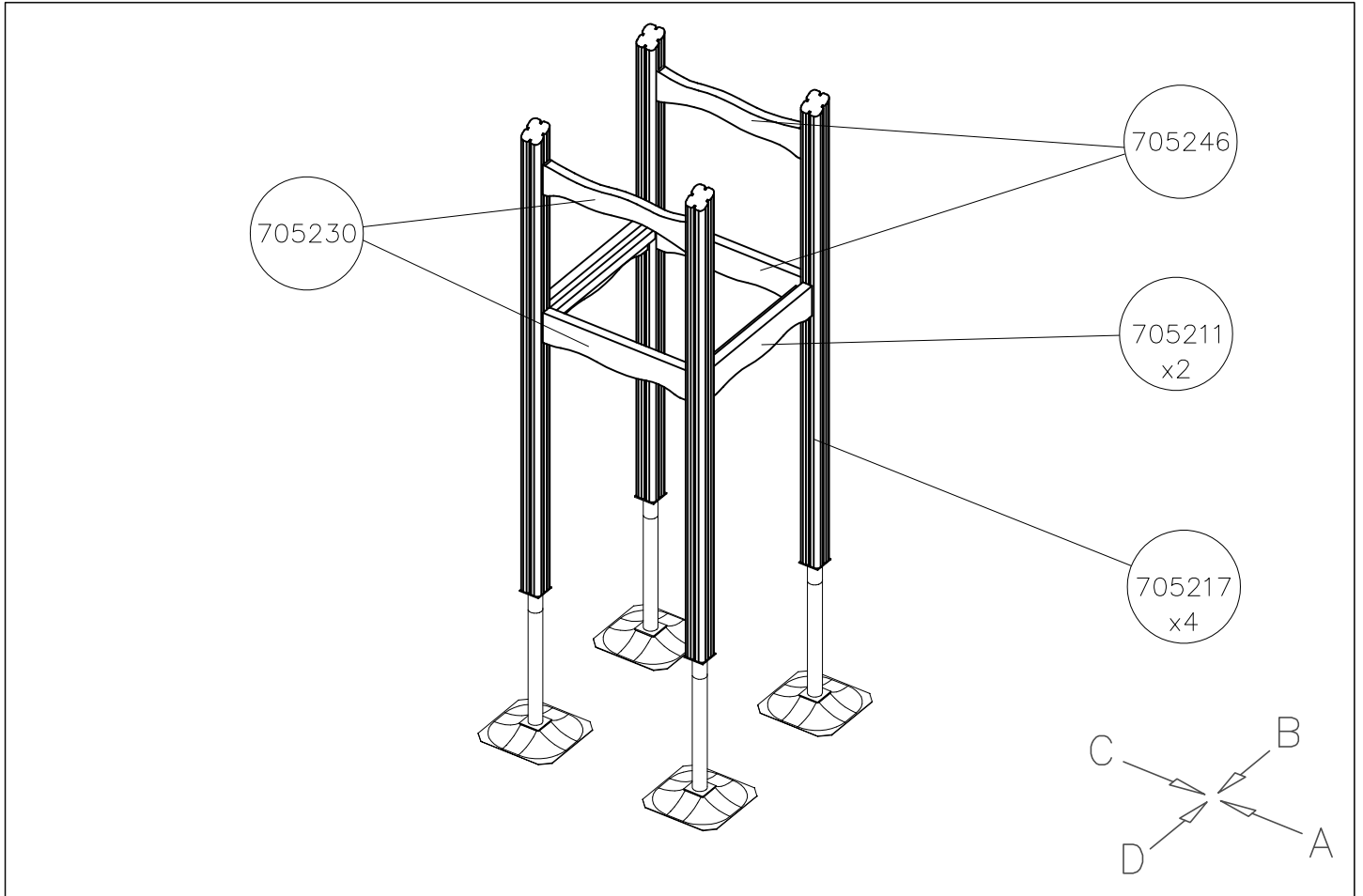


C



D

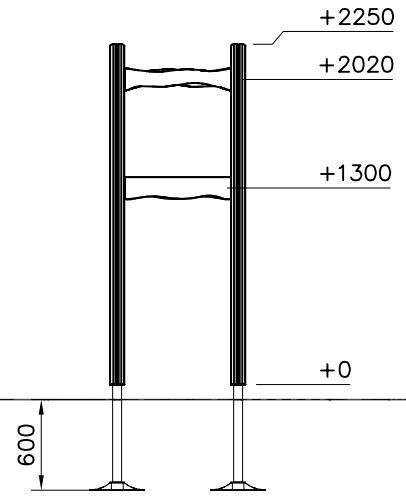
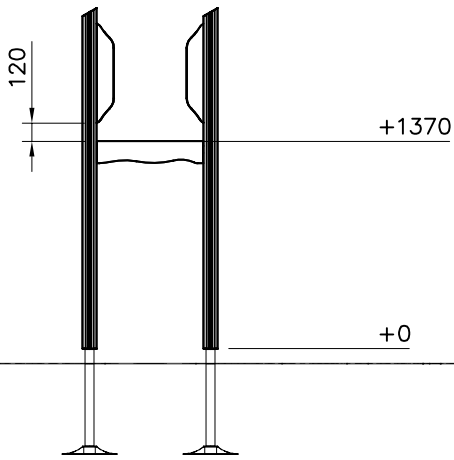




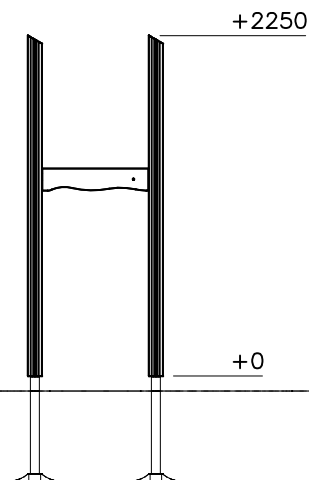
DATE: 18.6.2024

1:50

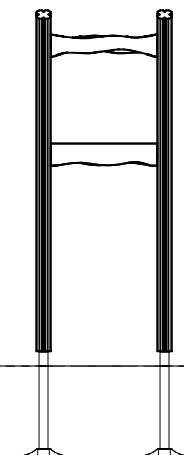
(B)

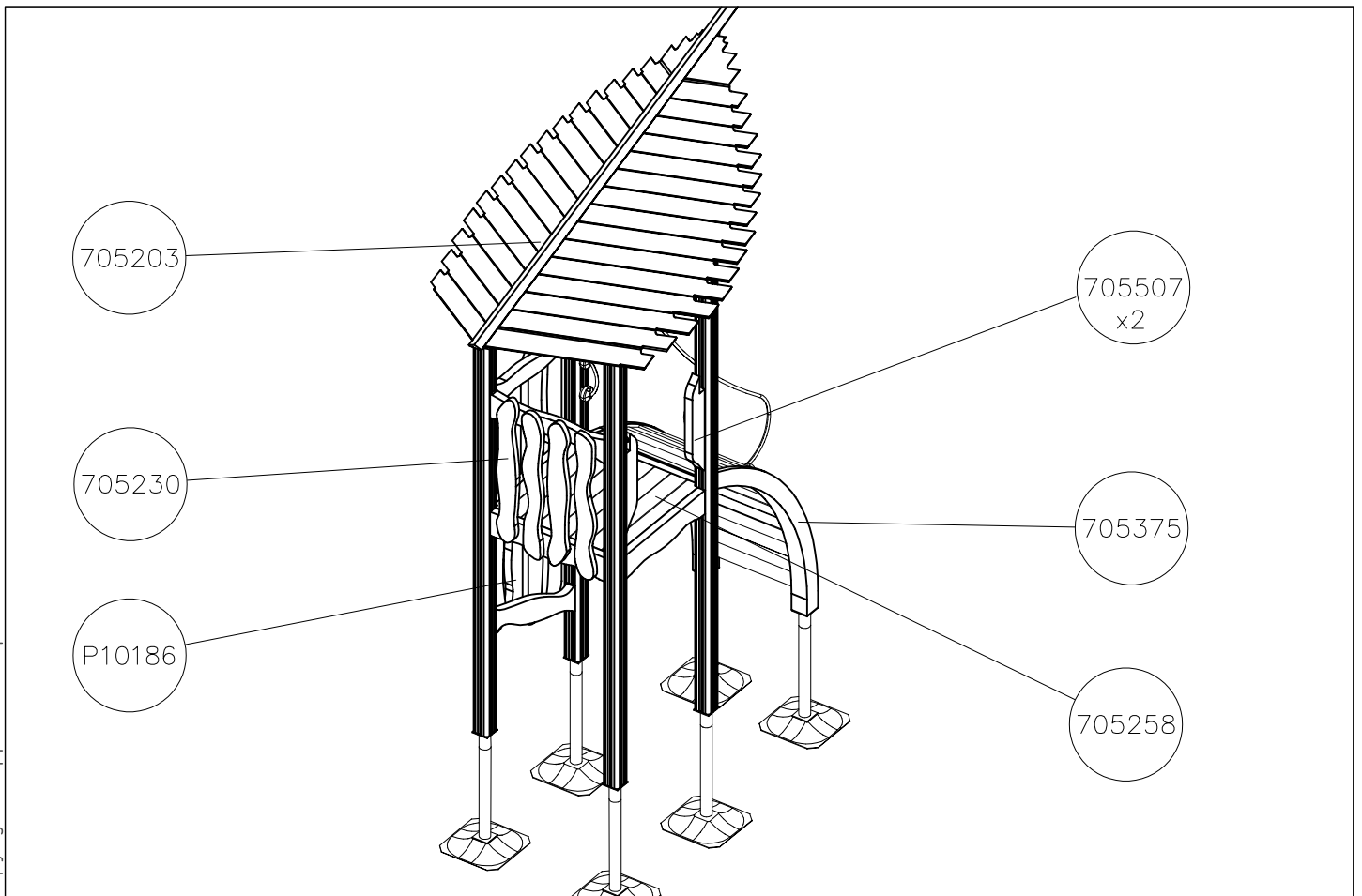
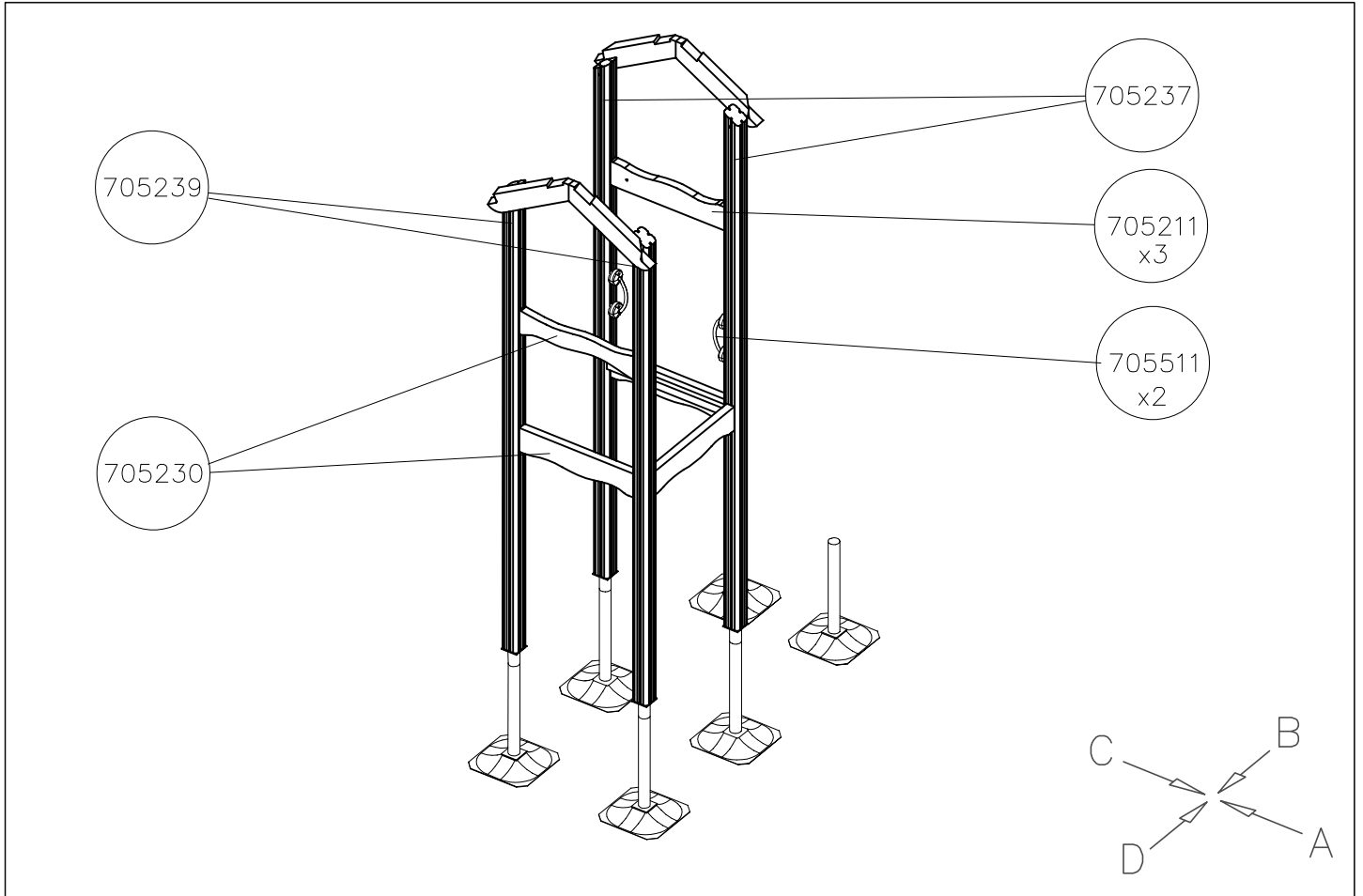


(C)



(D)

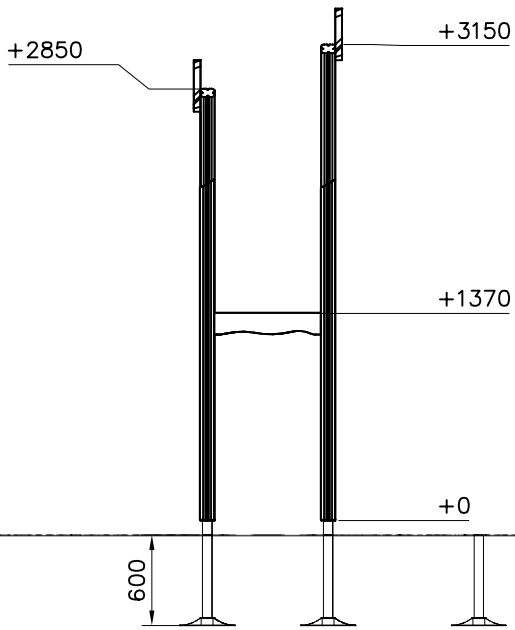




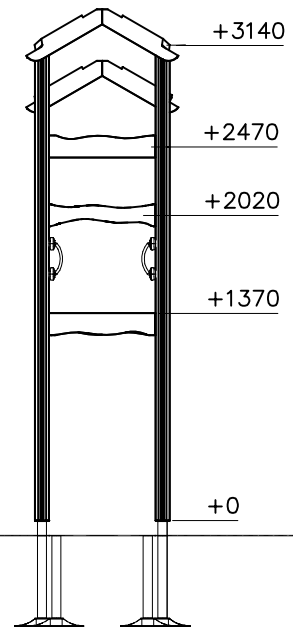
DATE: 18.6.2024

1:50

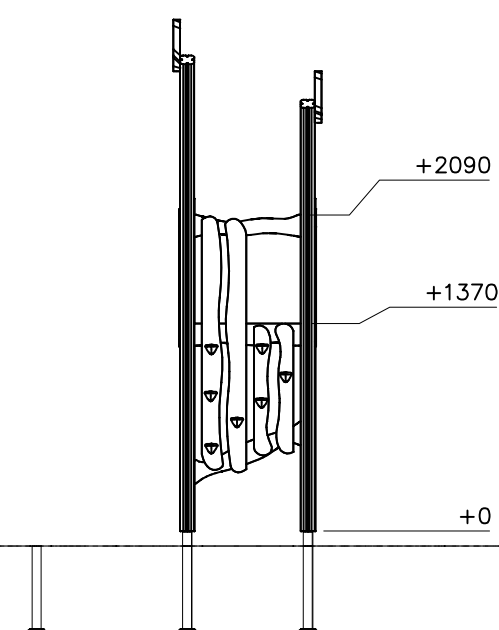
(A)



(B)



(C)



(D)

