

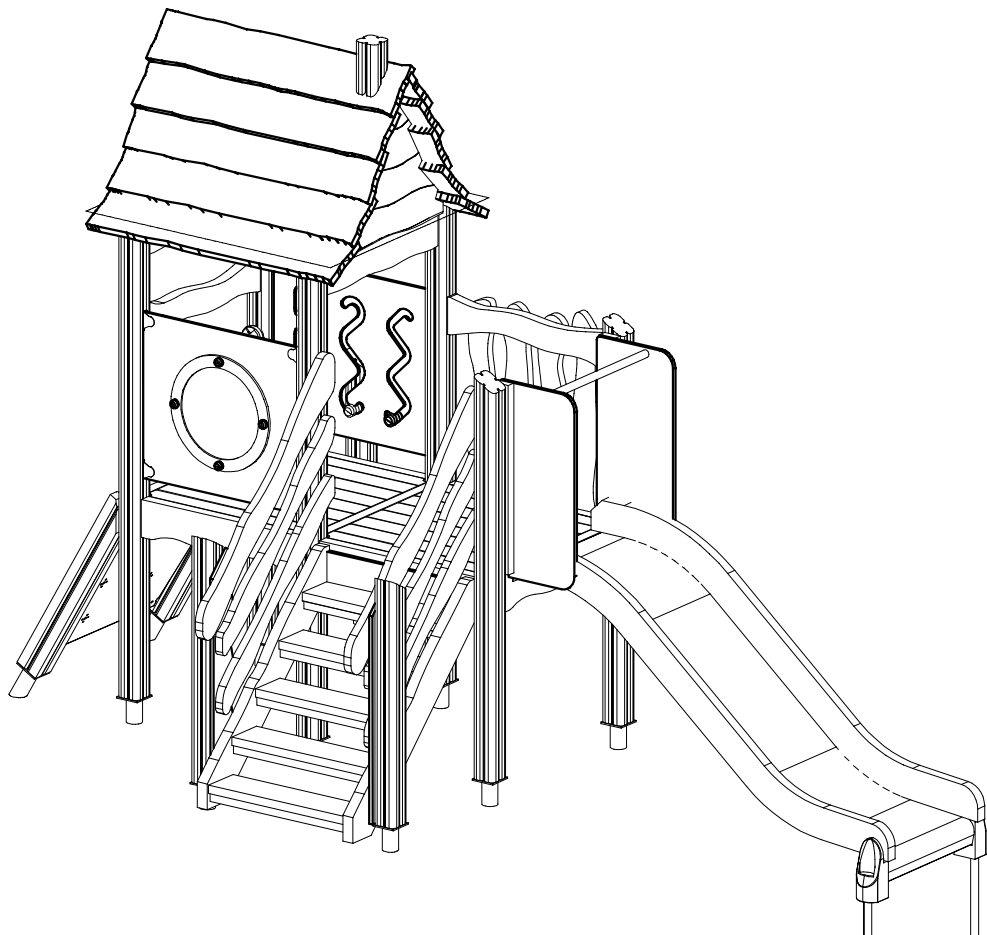
LAPPSET®

FLORA

ASENNUSOHJE
MONTERINGSANSVISNING
INSTALLATION INSTRUCTION
AUFBAUANLEITUNG
NOTICE D'INSTALLATION

DATE: 27.5.2024

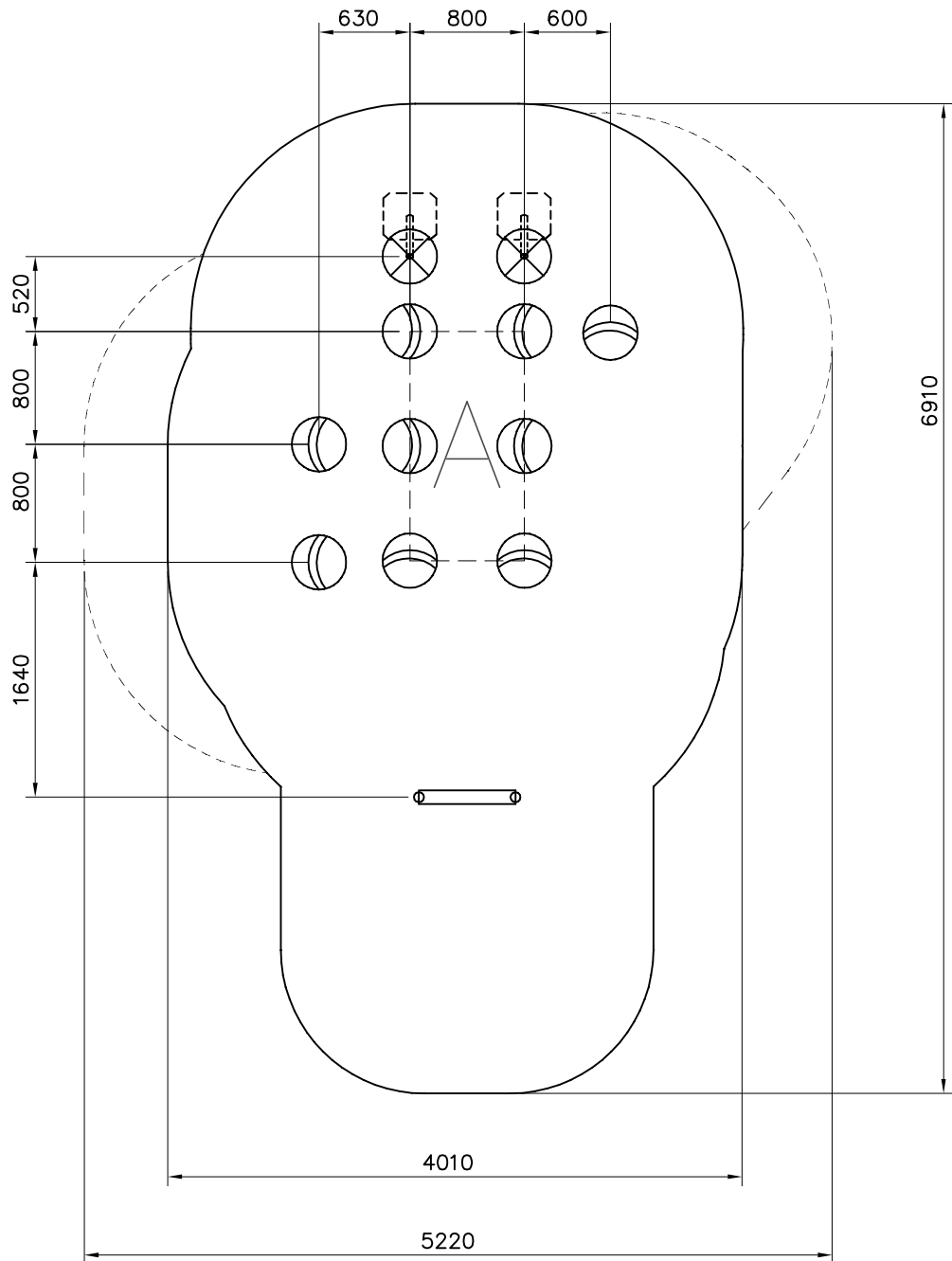
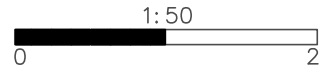
QFL0017



DATE: 27.5.2024

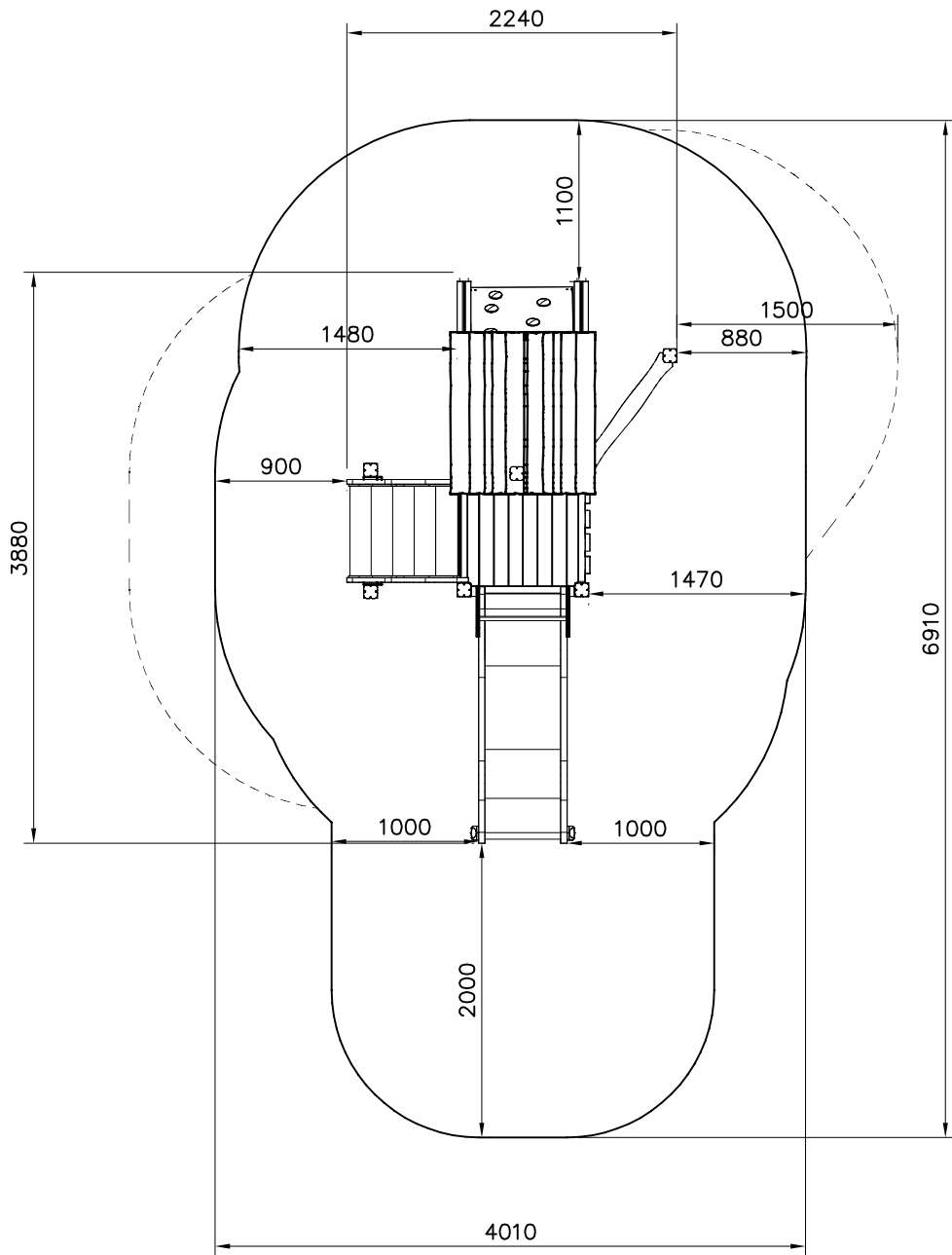
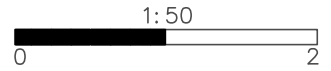
702286	PCS	705197-001	PCS	705211-001	PCS	705218-001	PCS	705230-001	PCS	705258-001	PCS
	1		1		7		1		1		2
65x65		45x145x724		45x145x715		70x145x965					
705511	PCS	706185-001	PCS	706192-001	PCS	706234-001	PCS	706534	PCS	707386-707	PCS
	2		1		3		1		1		1
				93x93x946				FASTENER KIT		10x640x702	
707450	PCS	708374-001	PCS	708469-001	PCS	711369-001	PCS	711370-001	PCS	711584-707	PCS
	1		2		1		4		2		1
		690x704		93x93x200		93x93x1846		93x93x1546			
900240	PCS	903093	PCS	905051	PCS	905104	PCS	909231	PCS	909233	PCS
	4		41		4		44		2		2
Ø8x70		Ø8x90		Ø24/8.5		M10		8x130		8x100	
909521	PCS	980100	PCS	980114	PCS	P00109	PCS	P13450	PCS	P13453	PCS
	11		40		4		2		8		1
		Ø5x60		Ø4x20		L 840		28x200x1100		28x200x1100	
P13454	PCS	P13608	PCS	P13609	PCS		PCS		PCS		PCS
	1		1		1						
28x200x1100				FASTENER KIT							
	PCS		PCS		PCS		PCS		PCS		PCS

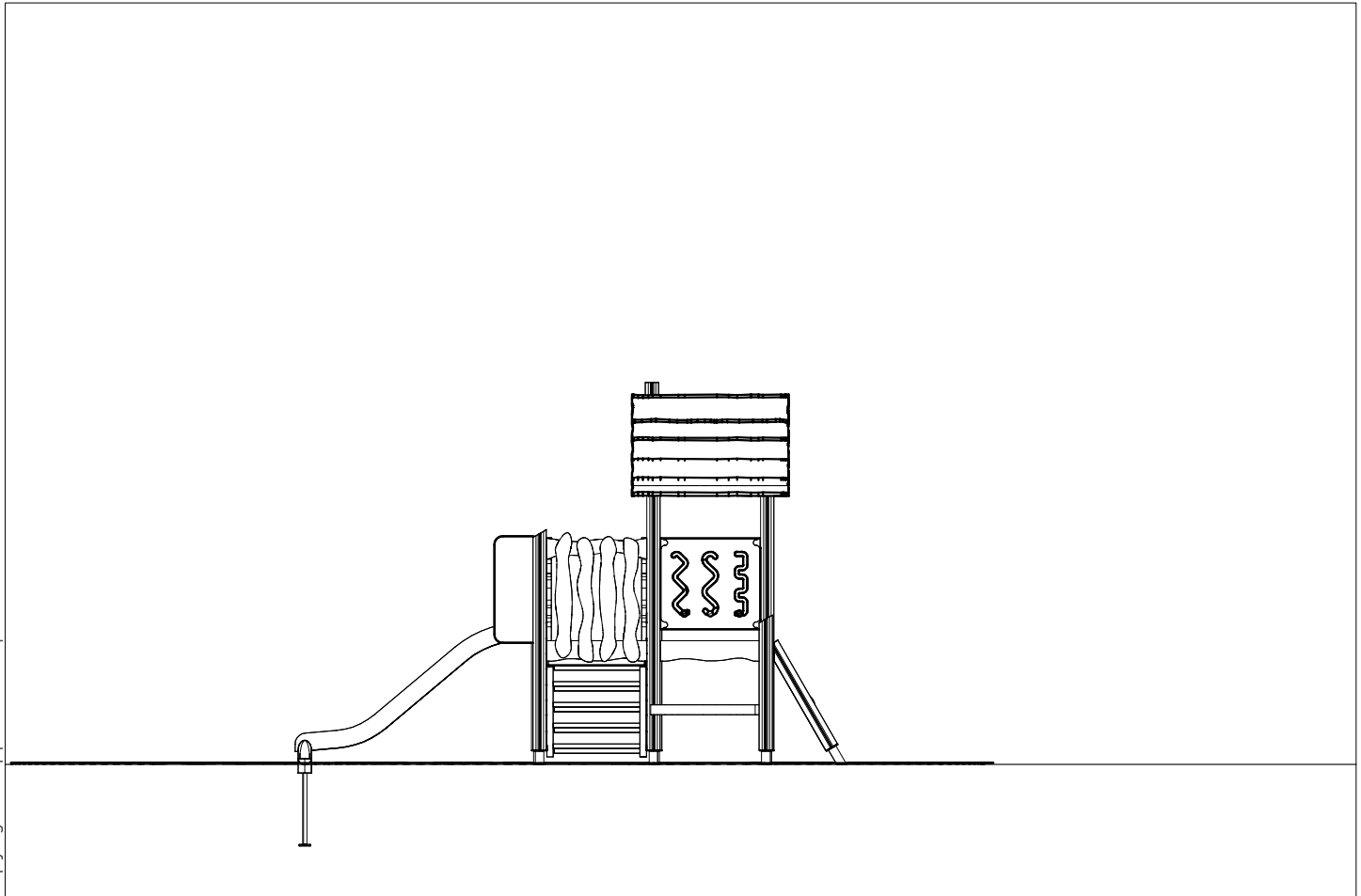
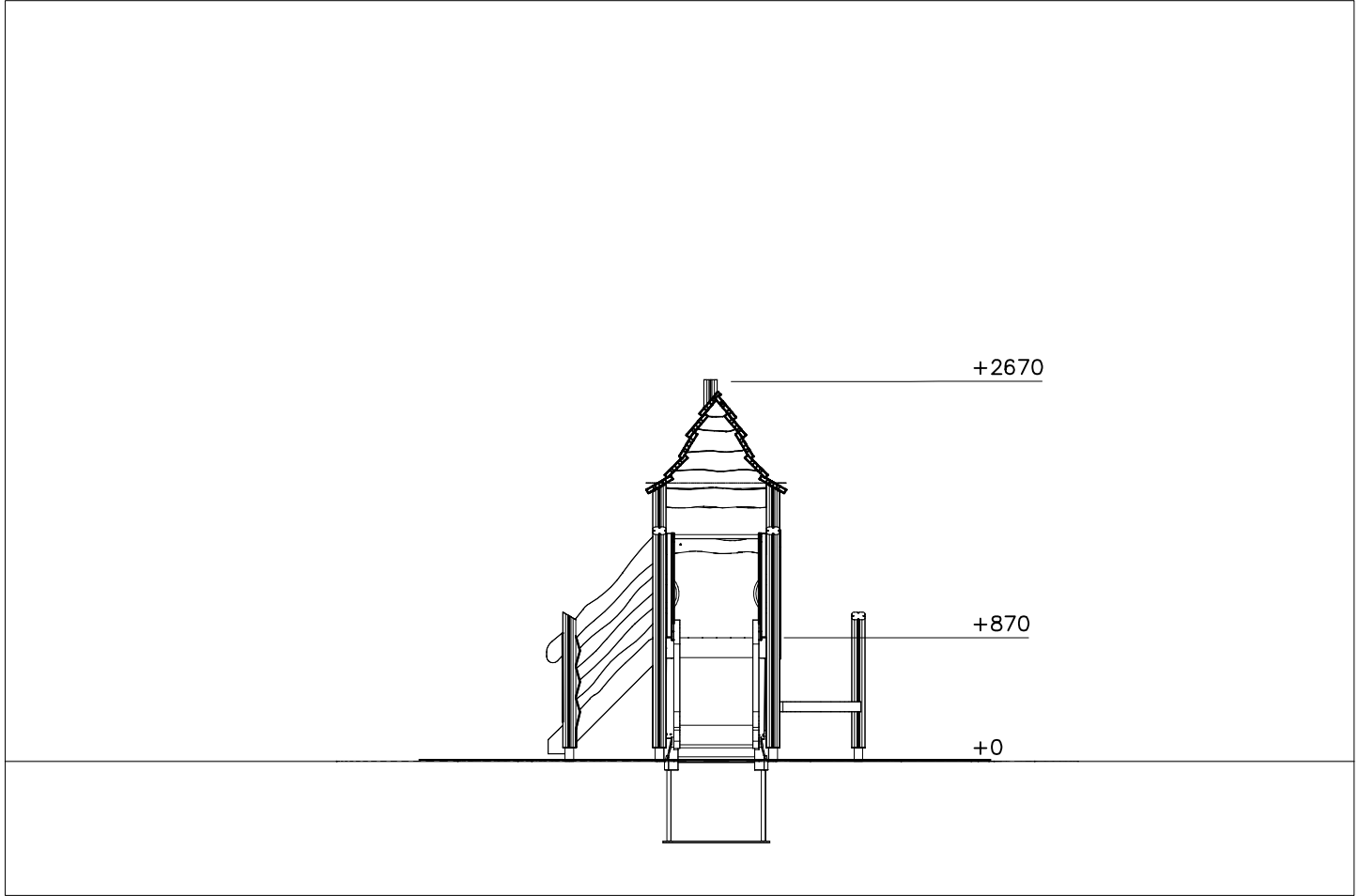
— EN/AS Impact Area 22.2 m²
- - - Falling Space 25.4 m²
Max Falling Height 1000 mm

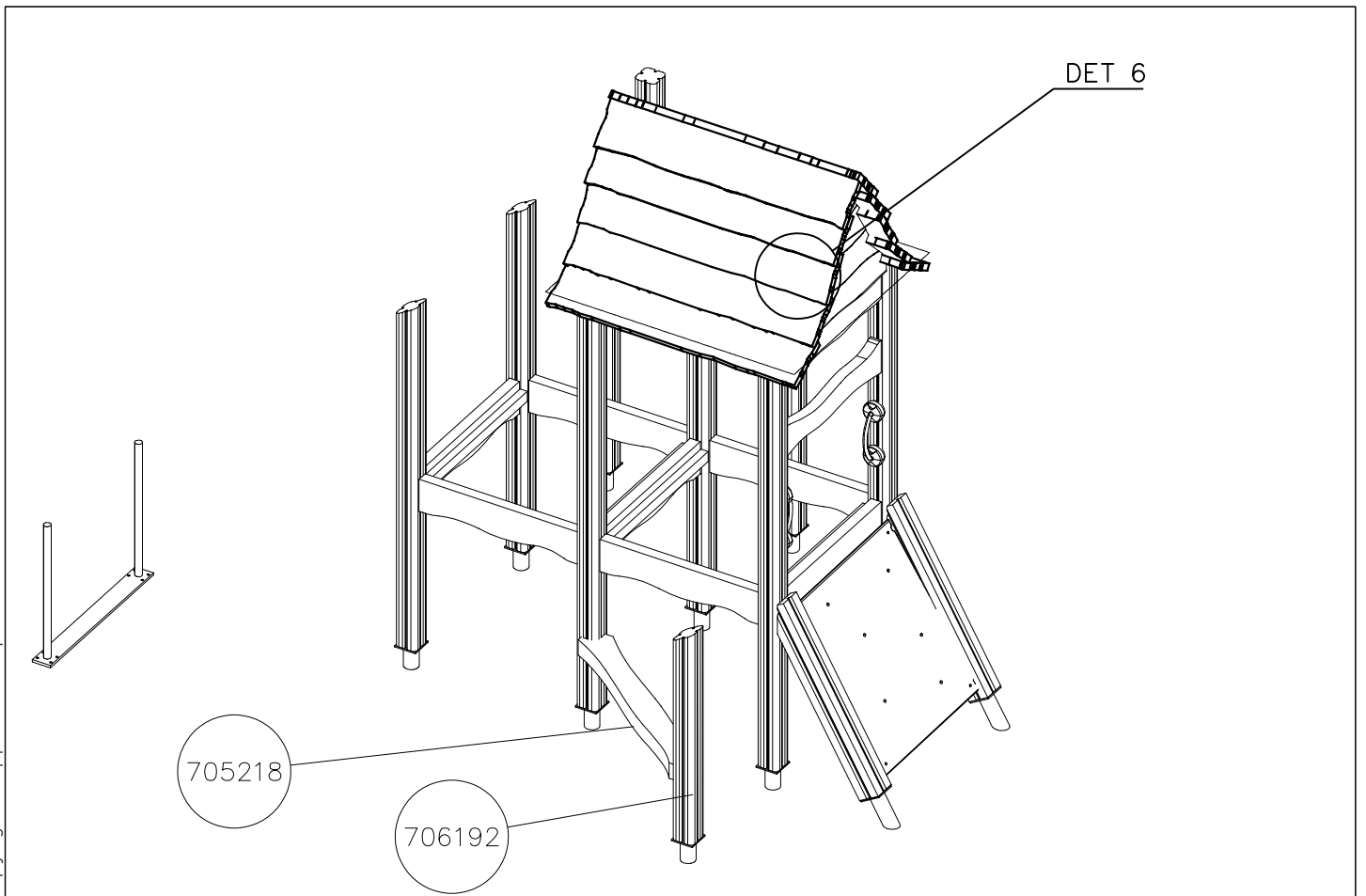
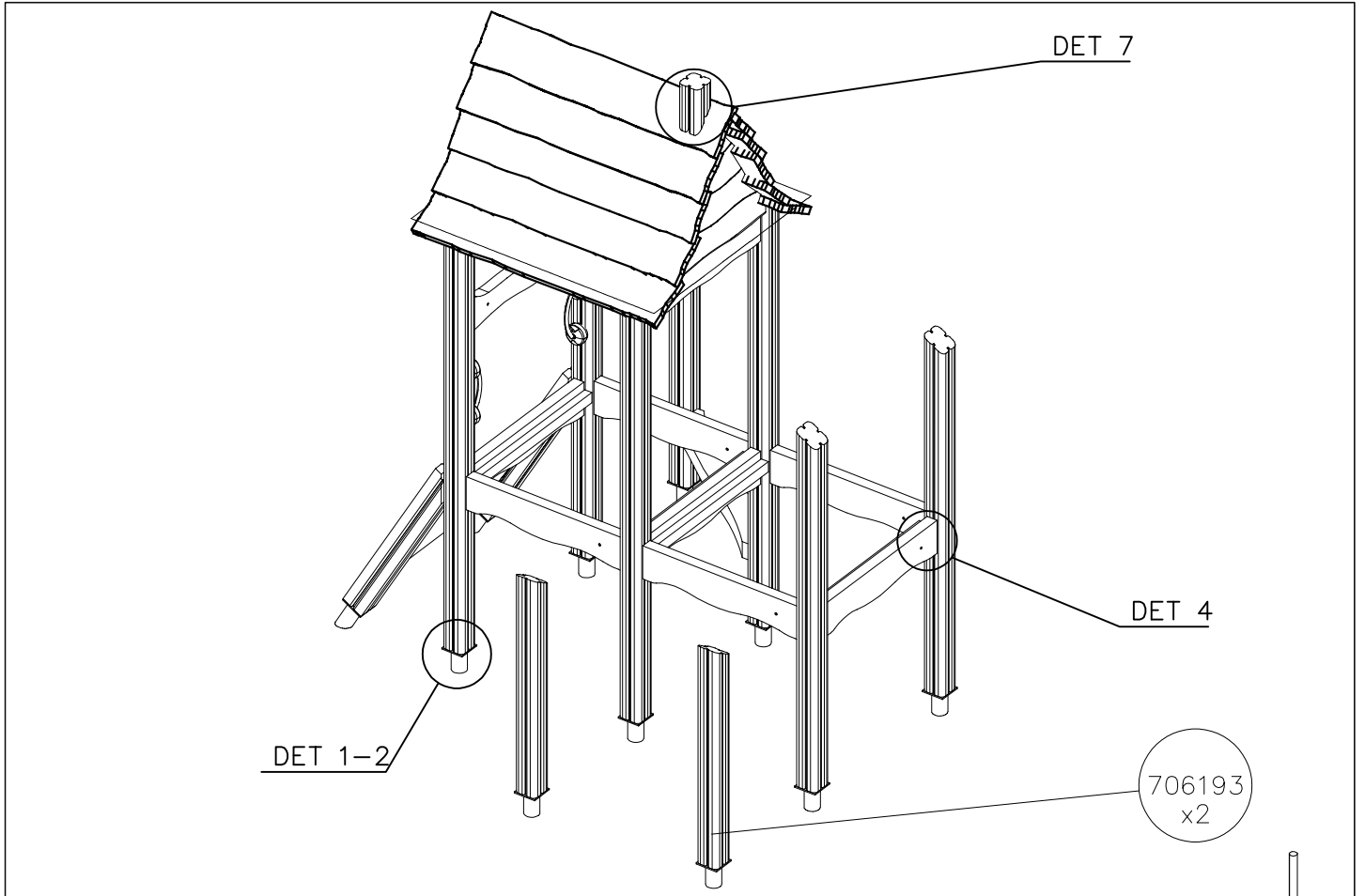


<p>M10 905104</p>	<p>100 S 600</p>	<p>S 600</p>
<p>Ø7x40 901879</p> <p>Haxi Slide sheet gap Liukupelti rako.</p>	<p>M12x40 Ø24/13</p>	

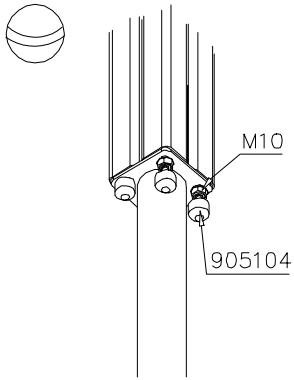
- EN/AS Impact Area 22.2 m²
- - - Falling Space 25.4 m²
Max Falling Height 1000 mm



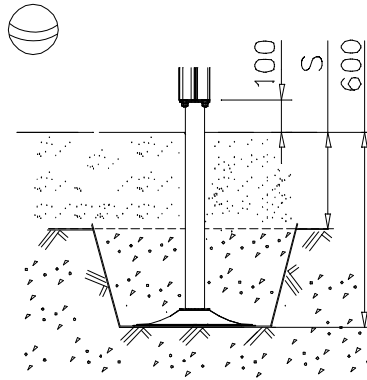




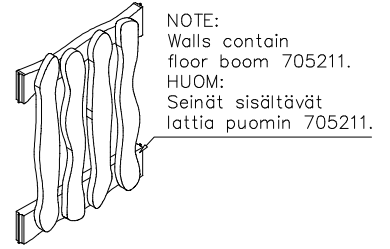
DET 1



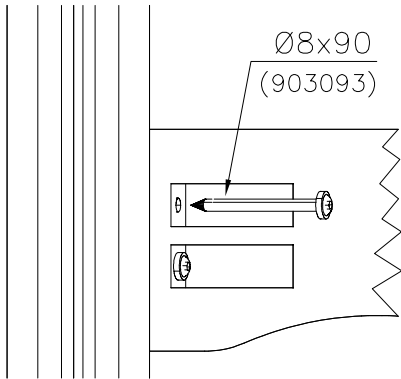
DET 2



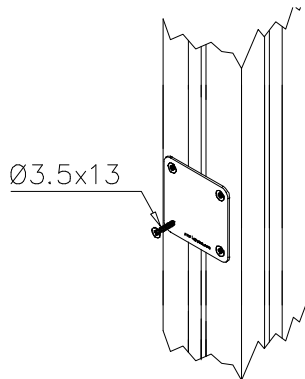
DET 3



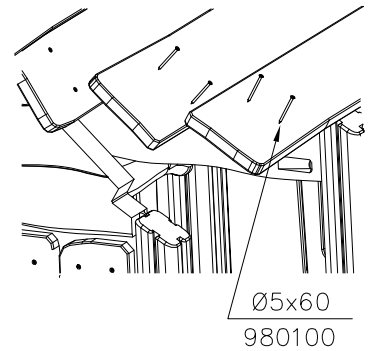
DET 4



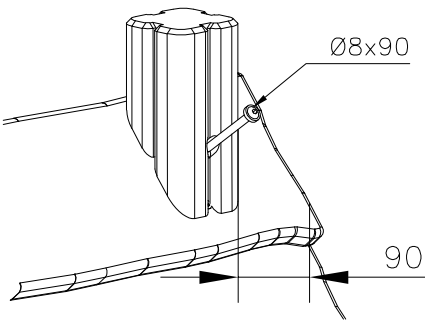
DET 5



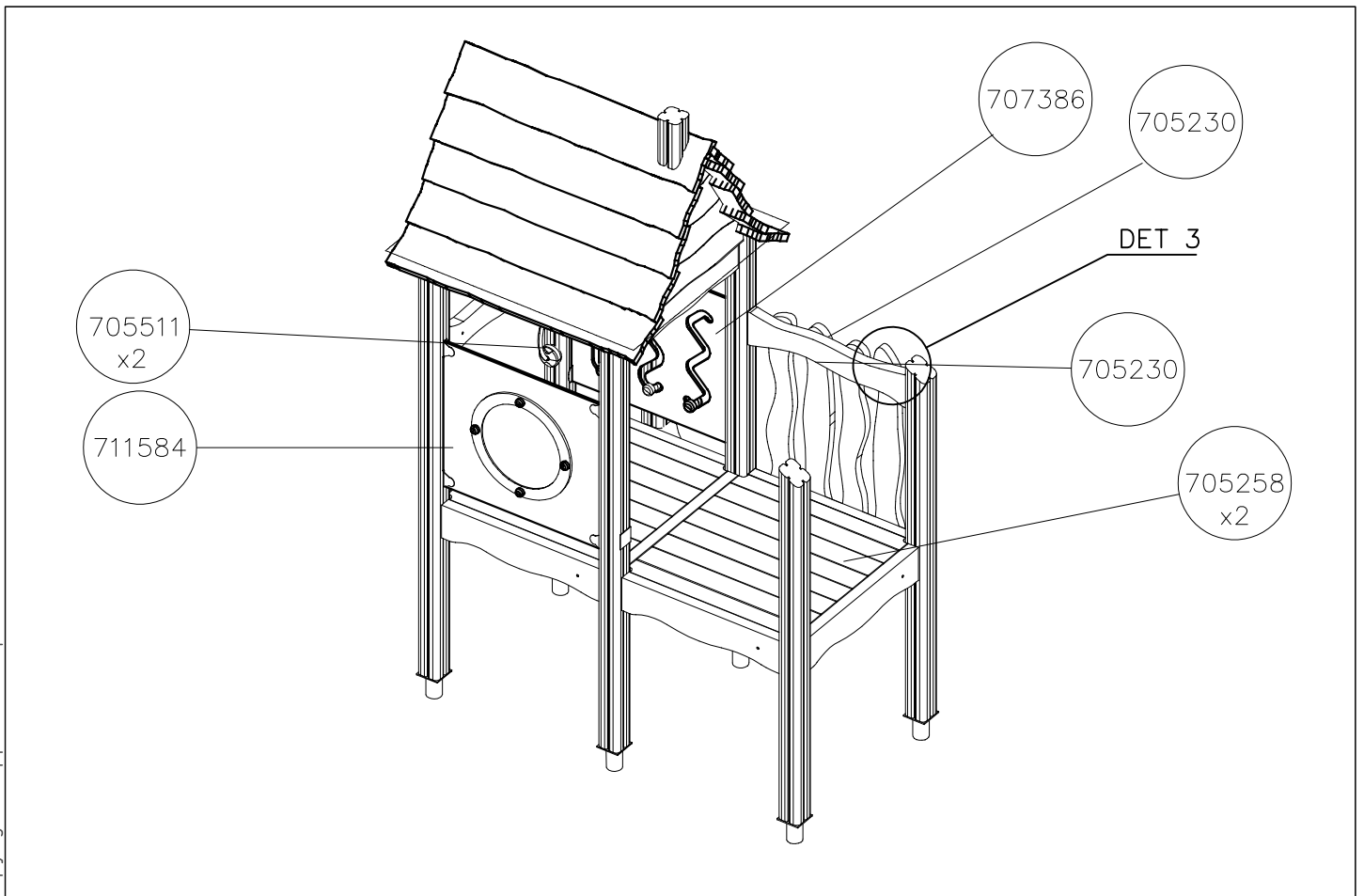
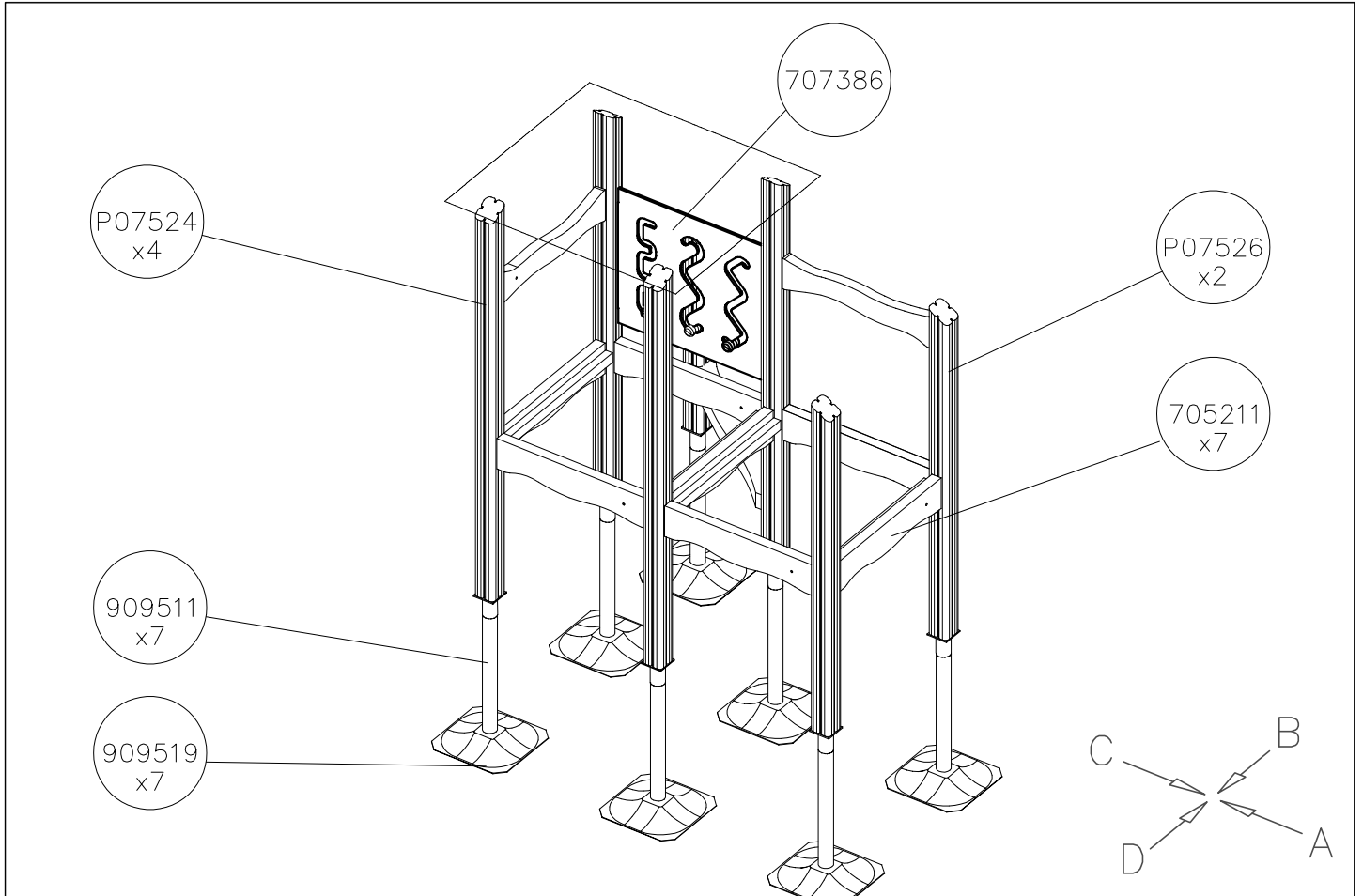
DET 6



DET 7



DATE: 27.5.2024

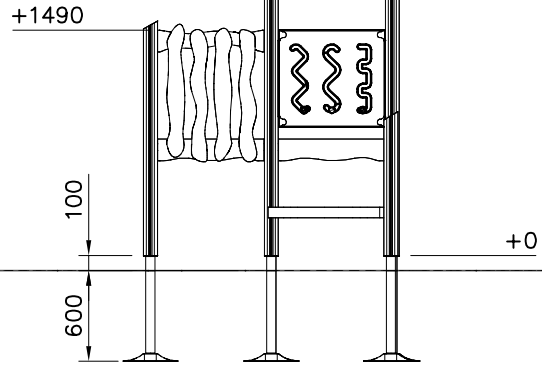
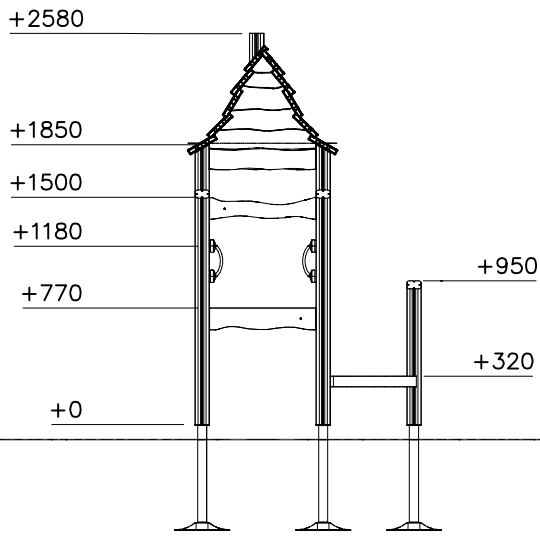


DATE: 27.5.2024

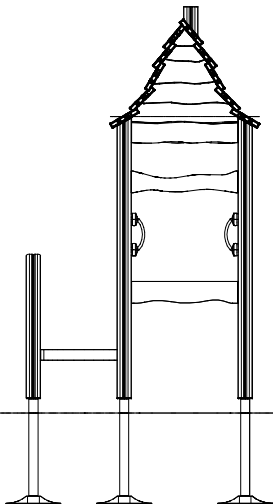
1:50

(B)

(A)



(C)



(D)

