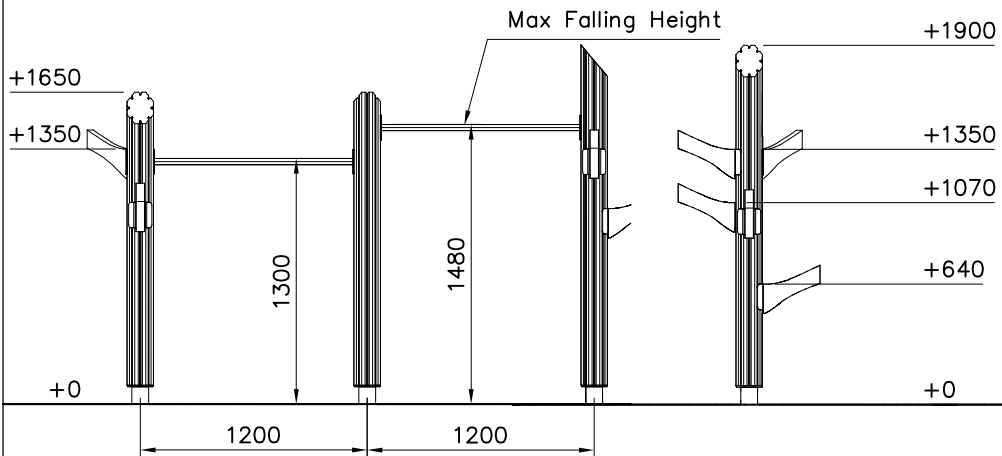
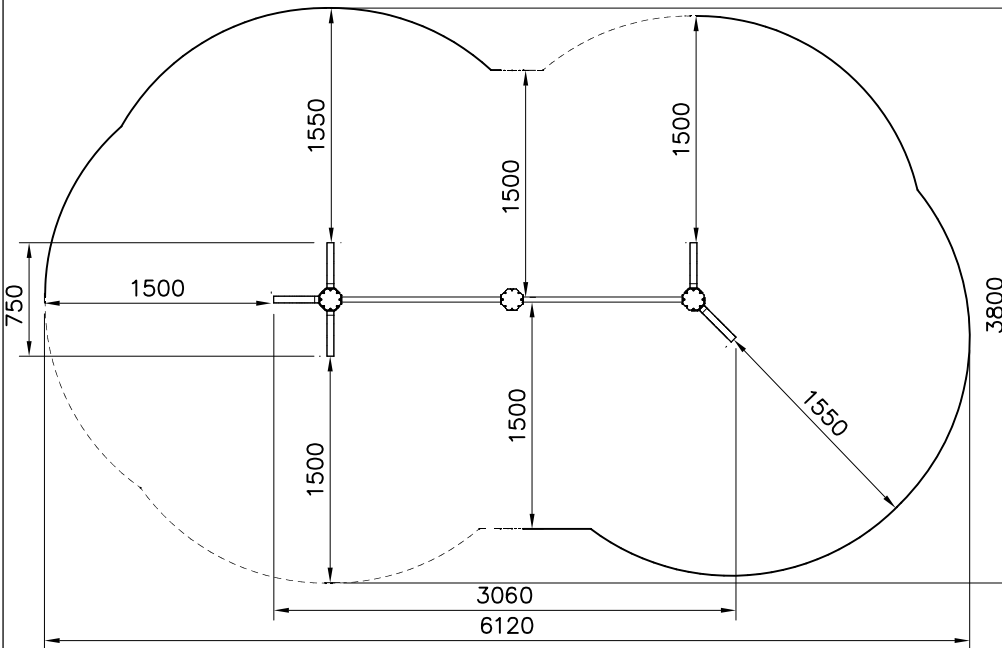



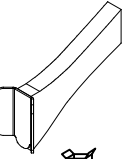

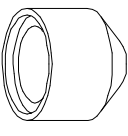

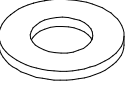


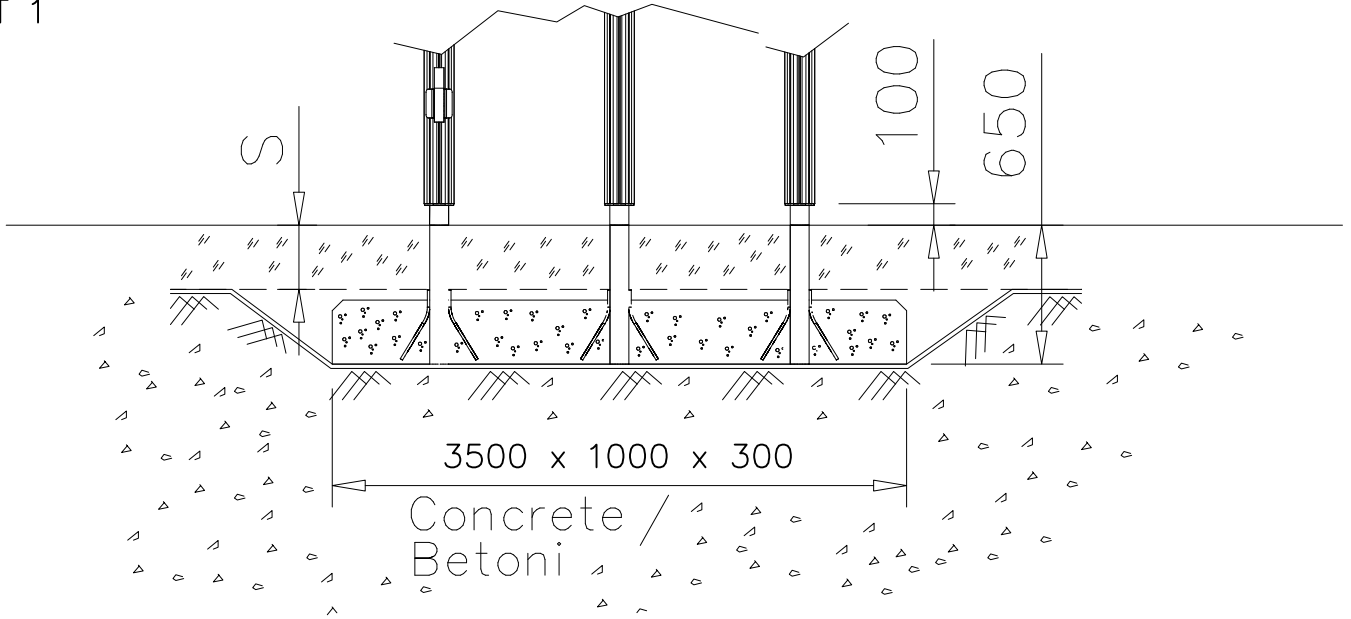


— EN Impact Area 18.9 m²
 - - - Falling Space 18.9 m²
 Max Falling Height 1480 mm

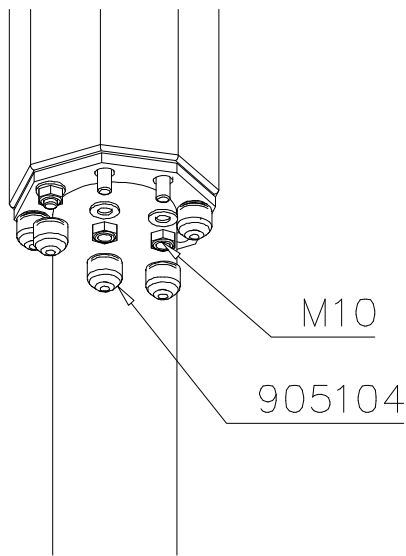


① 702286	PCS	② 705389-001	PCS
	1		2
65x65		140x140x1550	
③ 705394-001	PCS	④ 711514-001	PCS
	1		5
140x140x1800			
⑤ 903112	PCS	⑥ 905104	PCS
	3		24
L=750		M10	
⑦ 905838-216	PCS	⑧ 909256	PCS
	2		16
L 1060		Ø16/8.4	
⑨ 980114	PCS	⑩ 980123	PCS
	4		16
Ø4x20		Ø7x60	
	PCS		PCS

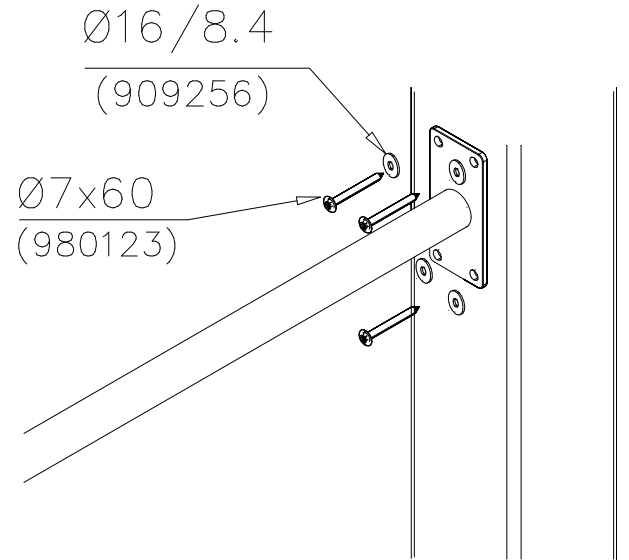
DET 1



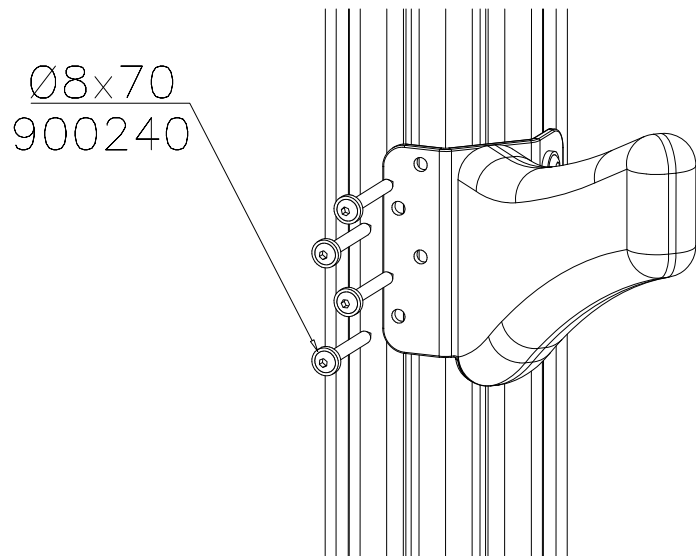
DET 2



DET 3



DET 4



DET 5