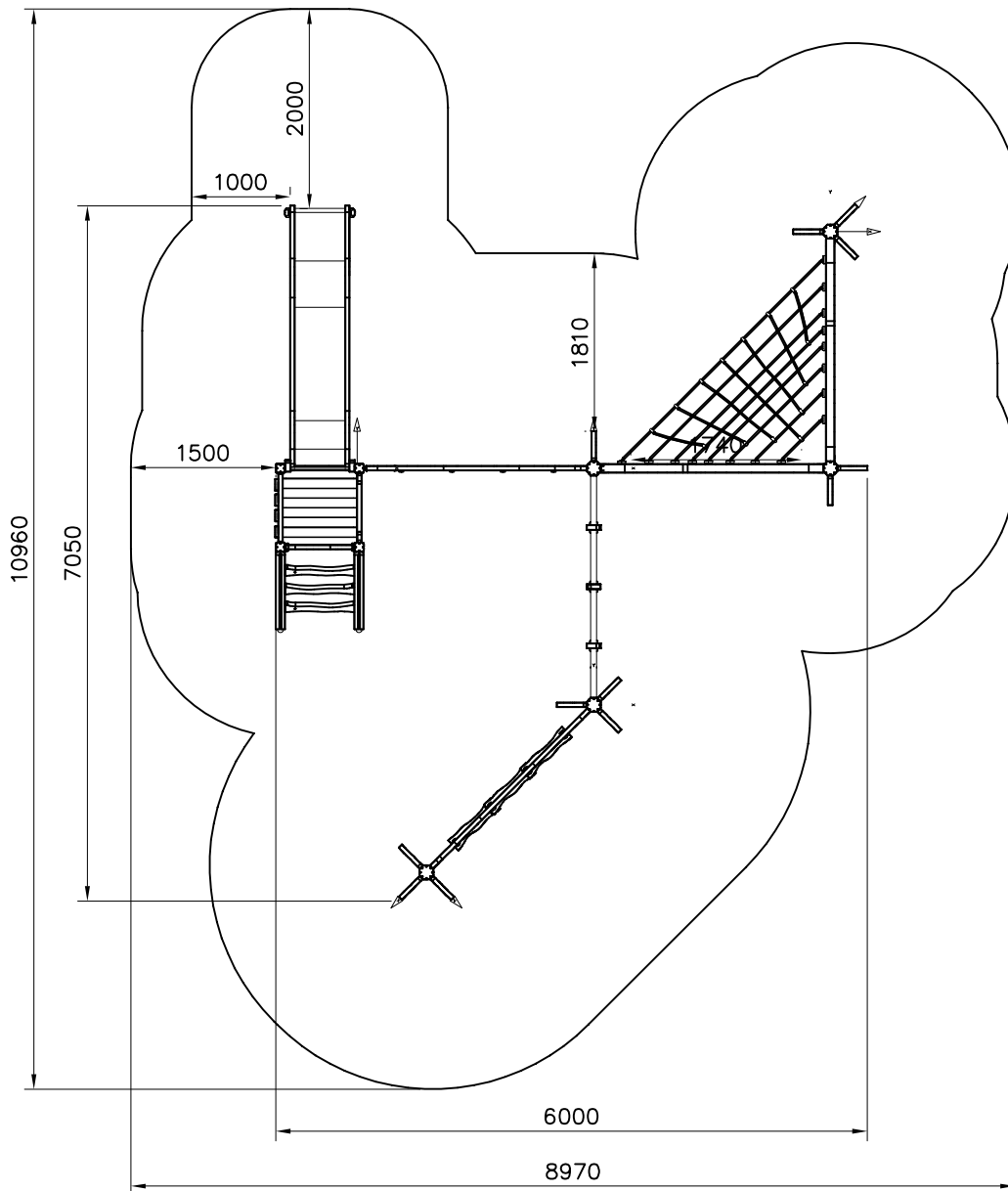
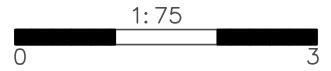
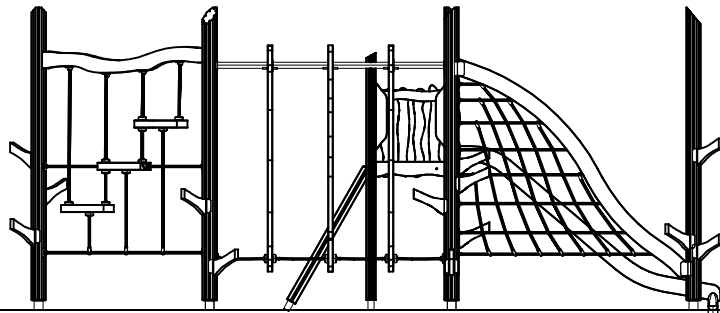
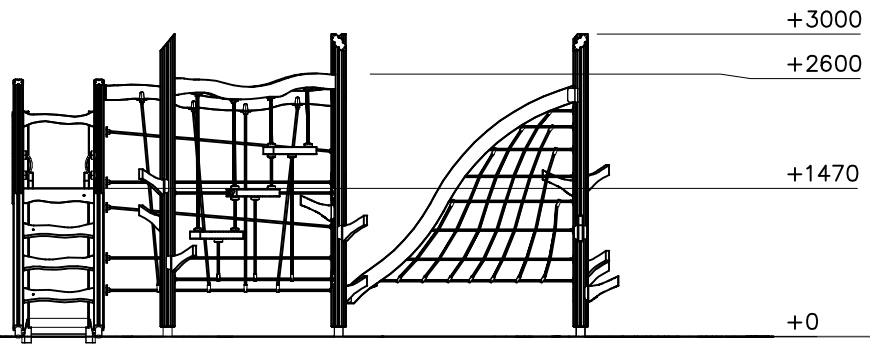

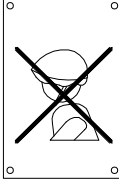
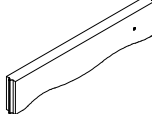
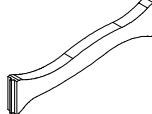

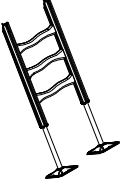

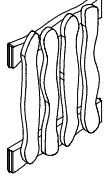

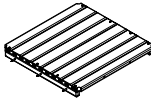

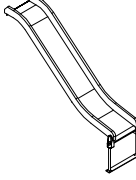

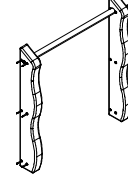







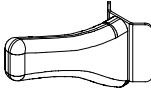

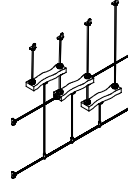

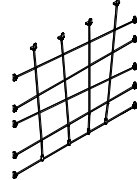

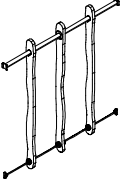

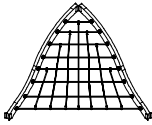

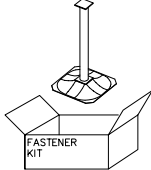
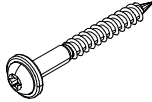

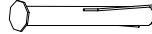
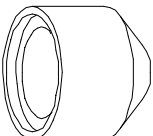

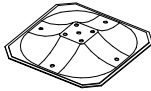
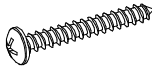


- EN/AS Impact Area 69.1 m²
- Falling Space 69.4 m²
- Max Falling Height 2600 mm





DATE: 21.8.2023

702286  65x65	PCS 1	702339  118x78	PCS 1	705211  L=724	PCS 3	705214  45x145x724	PCS 1	705221  93x93x2446	PCS 4	705227  	PCS 1
705230  	PCS 1	705258  	PCS 1	705308  	PCS 1	705310  	PCS 1	705431  45x165x2280	PCS 2	705506   	PCS 1
705511  	PCS 2	705789  l=333	PCS 16	705796  l=2900	PCS 5	705917  	PCS 1	705927  	PCS 1	705932  	PCS 1
705951  	PCS 1	706531  FASTENER KIT	PCS 4	900240  Ø8x70	PCS 128	903093  Ø8x90	PCS 22	903112  l=750	PCS 5	905104  M10	PCS 40
909511 	PCS 4	909519 	PCS 4	980114  Ø4x20	PCS 8		PCS		PCS		PCS
	PCS		PCS		PCS		PCS		PCS		PCS
	PCS		PCS		PCS		PCS		PCS		PCS