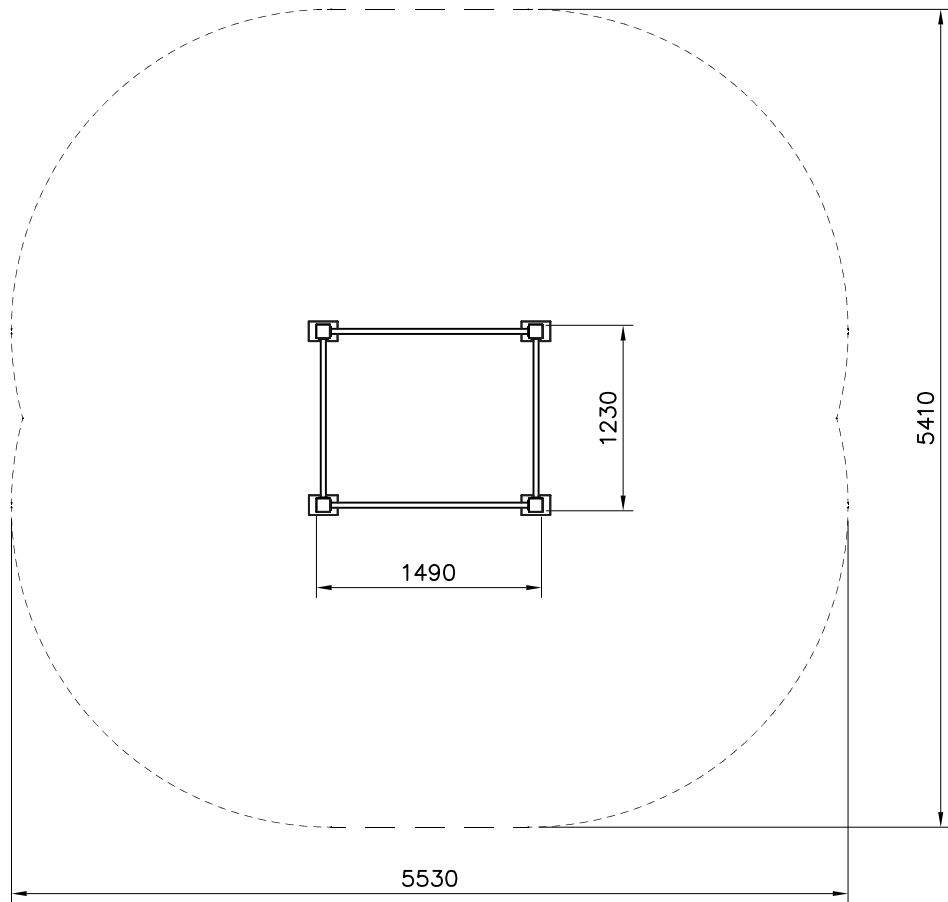
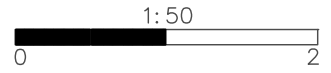
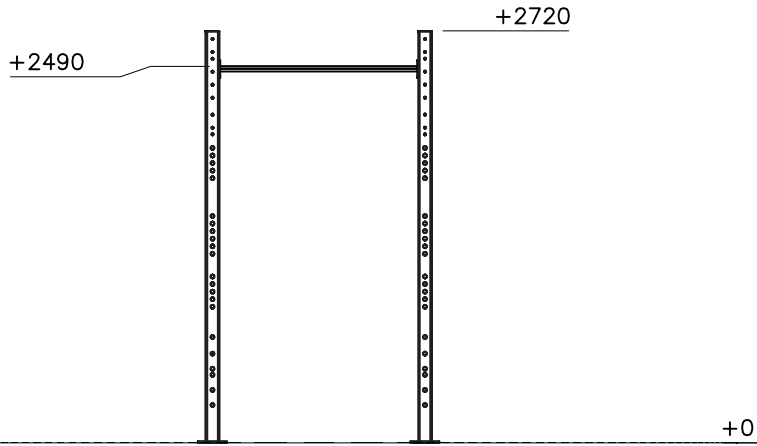


- EN/AS Impact Area 26 m<sup>2</sup>
- - - - Falling Space 26 m<sup>2</sup>  
Max Falling Height 1420 mm EN 16630


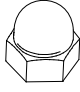
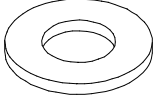

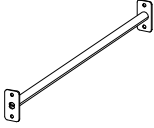

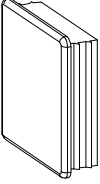
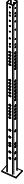
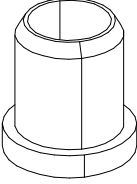
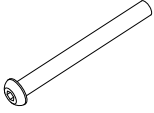




+2140

+0

DATE: 14.6.2023

|   |          |   |           |   |            |  |           |   |          |   |          |
|---|----------|---|-----------|---|------------|--|-----------|---|----------|---|----------|
| 702341<br><br>90x50    | PCS<br>1 | 900965<br><br>M10            | PCS<br>16 | 901302<br><br>Ø20/10.5x2     | PCS<br>32  | 904450<br><br>M16x170 | PCS<br>16 | 910365-217<br><br>1060 | PCS<br>2 | 910368-217<br><br>1315 | PCS<br>2 |
| 910405<br><br>90x90x30 | PCS<br>4 | 910410-207<br><br>90x90x2720 | PCS<br>4  | 910415<br><br>Ø16/12,5-14x17 | PCS<br>104 | 911149<br><br>M10x110 | PCS<br>16 |   | PCS      |   | PCS      |
|   | PCS      |   | PCS       |   | PCS        |  | PCS       |   | PCS      |   | PCS      |
|   | PCS      |   | PCS       |   | PCS        |  | PCS       |   | PCS      |   | PCS      |
|   | PCS      |   | PCS       |   | PCS        |  | PCS       |   | PCS      |   | PCS      |
|   | PCS      |   | PCS       |   | PCS        |  | PCS       |   | PCS      |   | PCS      |
|   | PCS      |   | PCS       |   | PCS        |  | PCS       |   | PCS      |   | PCS      |