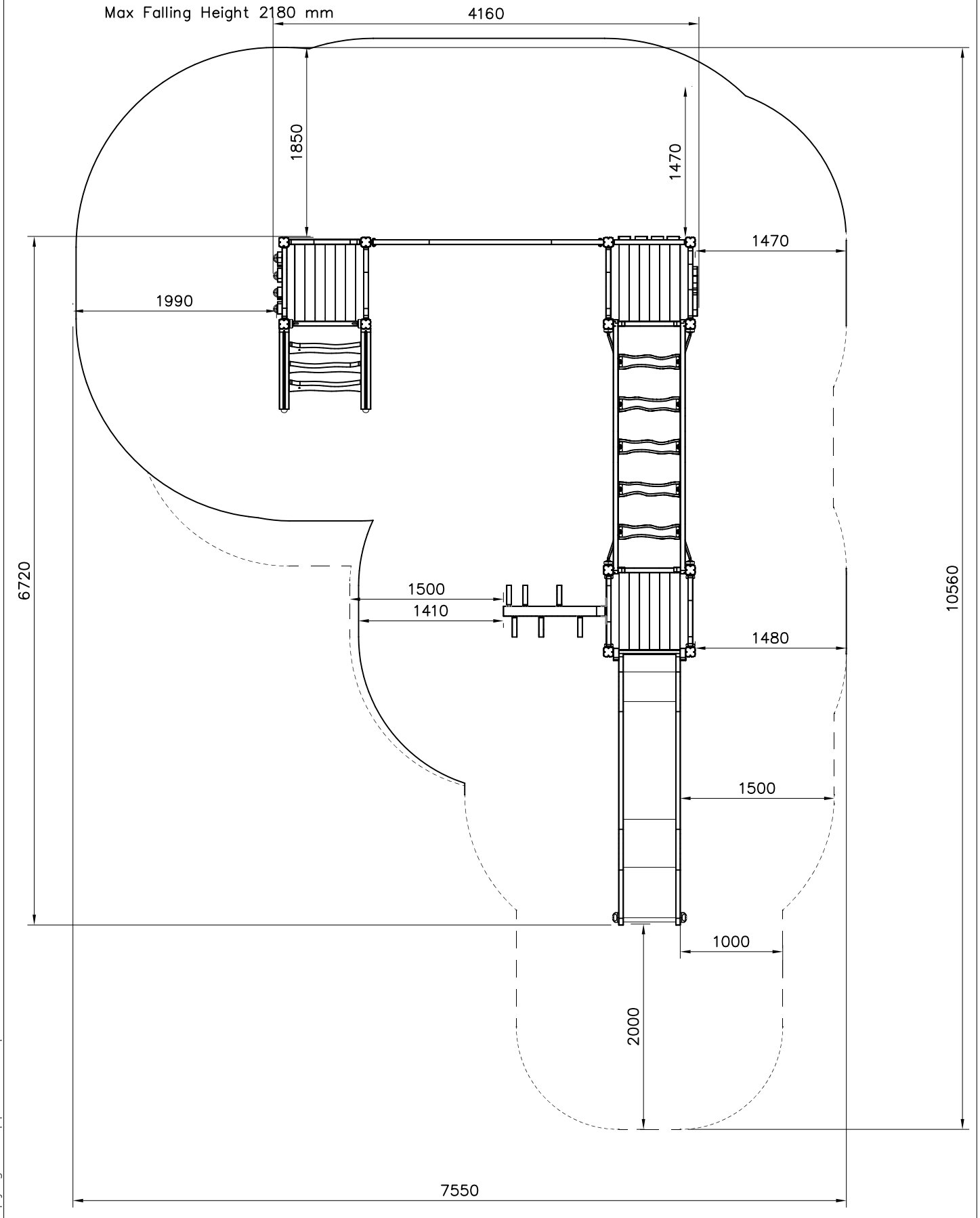
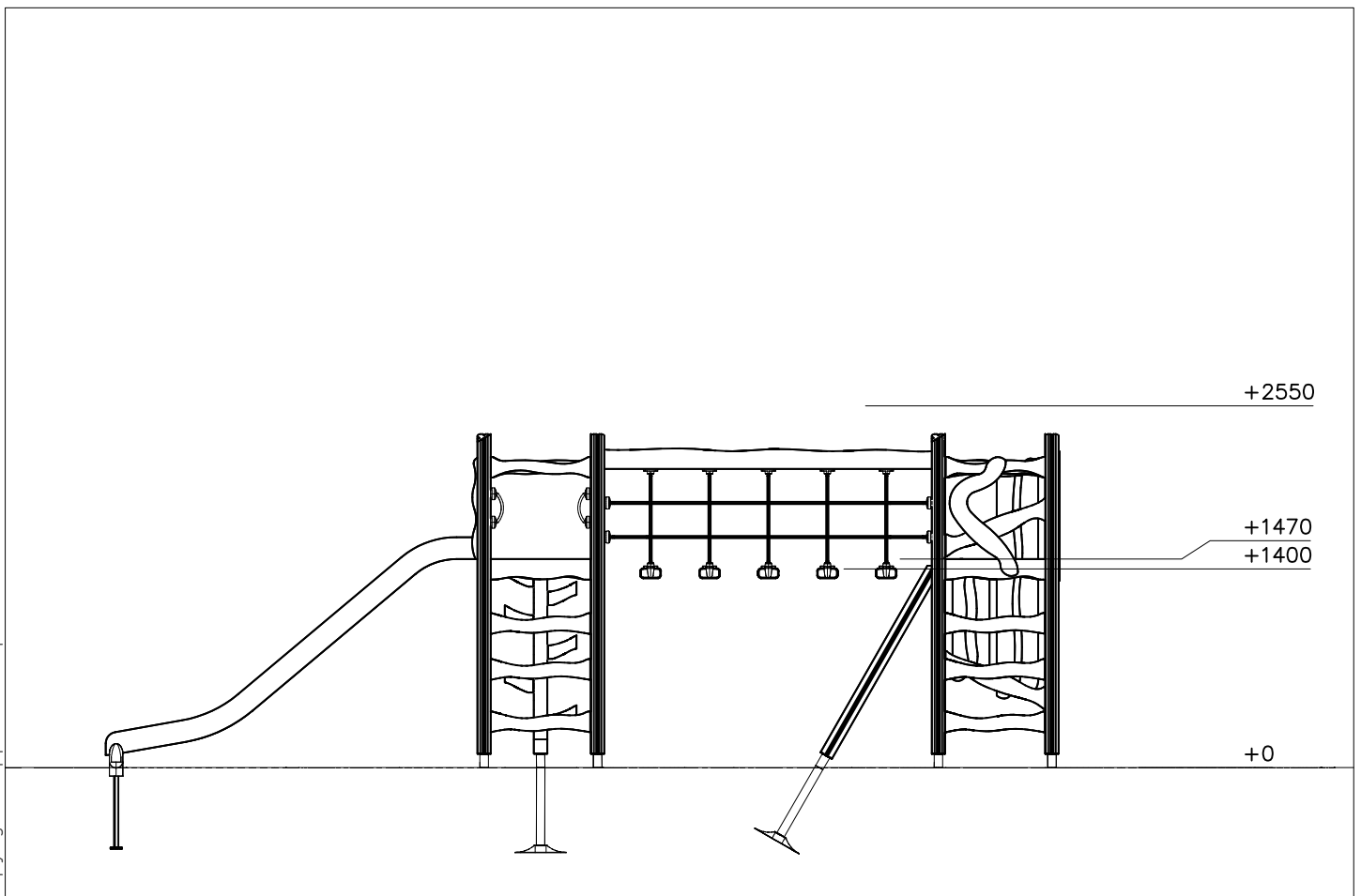
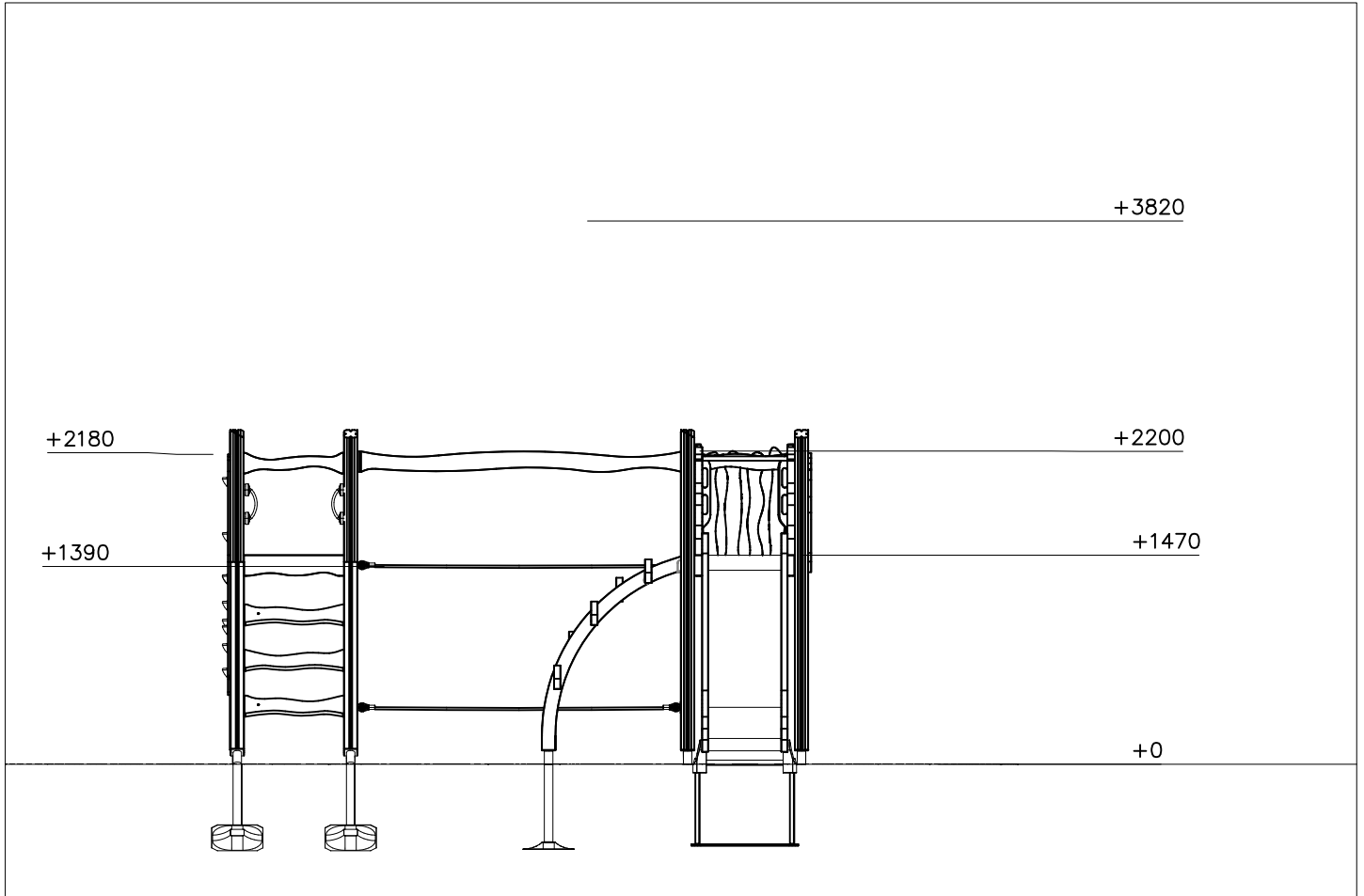
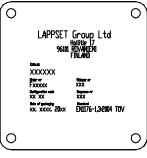
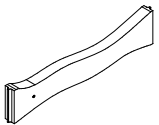
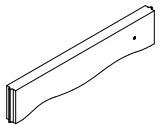
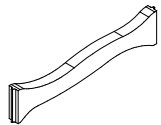

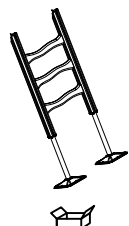
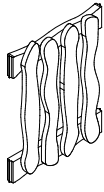
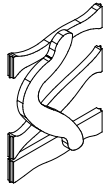
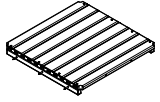
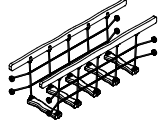
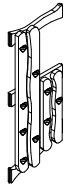
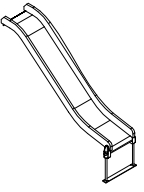
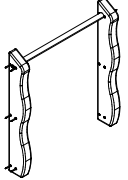
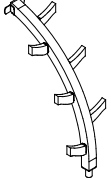
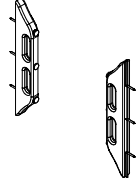
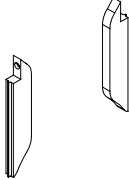

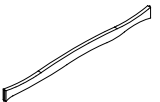

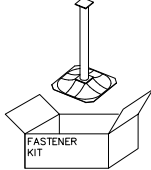
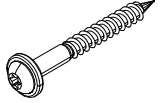

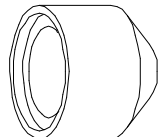
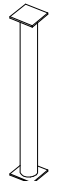
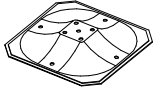
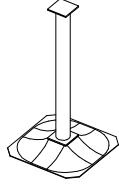

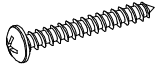


— EN/AS Impact Area 53.1 m²
- - - Falling Space 54 m²
- - - Max Falling Height 2180 mm





DATE: 15.7.2022

702286  65x65	PCS 1	705197  L=724	PCS 9	705211  L=724	PCS 9	705214  45x145x724	PCS 5	705219  L=2246	PCS 12	705227 	PCS 1
705230 	PCS 1	705246 	PCS 1	705258 	PCS 3	705262 	PCS 1	705270 	PCS 1	705308 	PCS 1
705310 	PCS 1	705368 	PCS 1	705506 	PCS 2	705507 	PCS 2	705511 	PCS 6	705804  45x145x2280	PCS 1
705808  Ø16x2273	PCS 2	706531  FASTENER KIT	PCS 1	900240  8x70	PCS 8	903093  Ø8x90	PCS 86	905104  M10	PCS 48	909511 	PCS 1
909519 	PCS 1	909521  	PCS 12	980114  Ø4x20	PCS 4		PCS		PCS		PCS
	PCS		PCS		PCS		PCS		PCS		PCS
	PCS		PCS		PCS		PCS		PCS		PCS