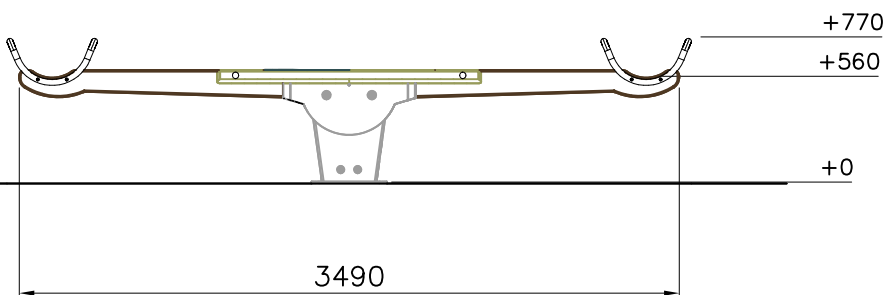
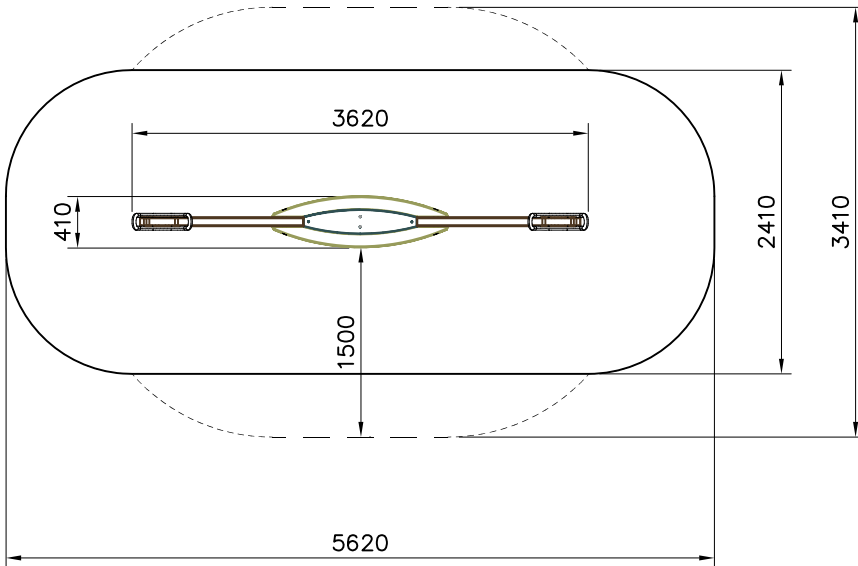
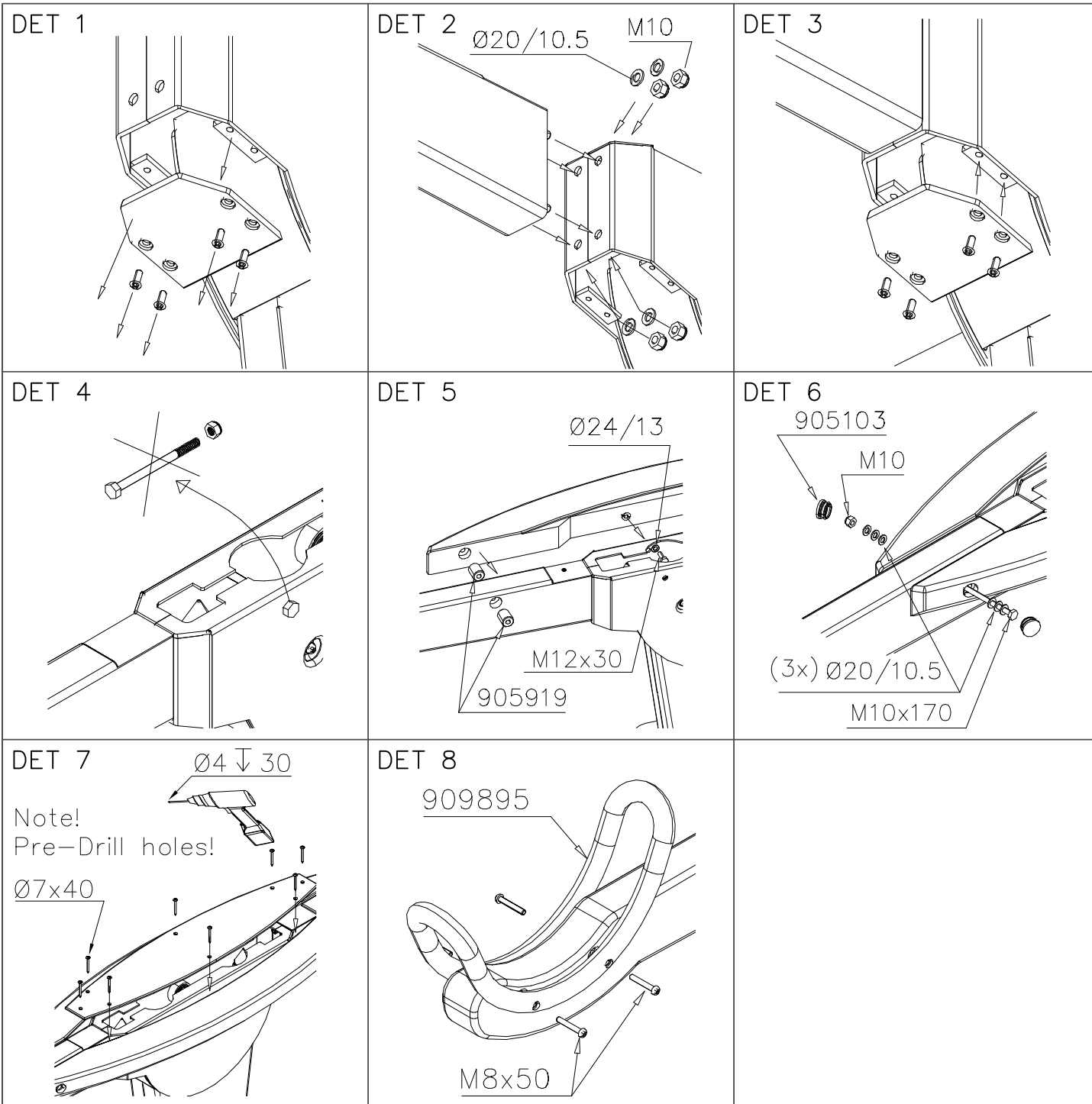


EN Impact Area 12.7 m<sup>2</sup>  
 Falling Space 15.6 m<sup>2</sup>  
 Max Falling Height 840 mm



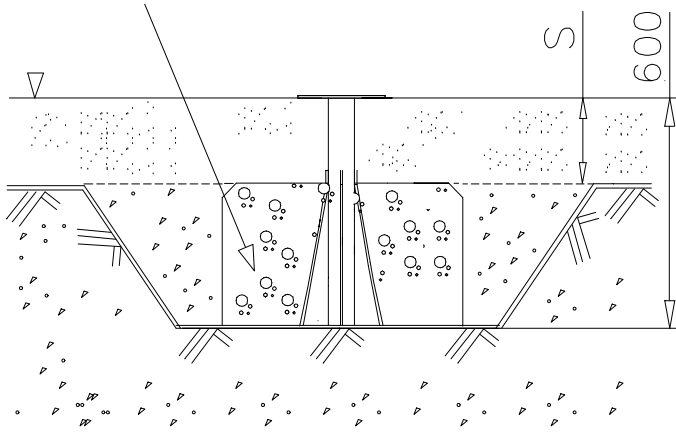
① 706726	PCS	② 706733	PCS
	1		2
10x191,5x900			
③ 706734-606	PCS	④ 900208	PCS
	2		2
70x164.6x1395		M10x170	
⑤ 903149	PCS	⑥ 905103	PCS
	4		4
M12x30		PT-28/32-H	
⑦ 905919	PCS	⑧ 907786	PCS
	4		1
Ø32x38			
⑨ 909301	PCS	⑩ 909637	PCS
	8		2
M8x50		M10	
⑪ 909638	PCS	⑫ 909895	PCS
	12		2
Ø20/10.5		479x249x134	
⑬ 980128	PCS	⑭ 980154	PCS
	8		4
Ø7x40		Ø24/13	
	PCS		PCS



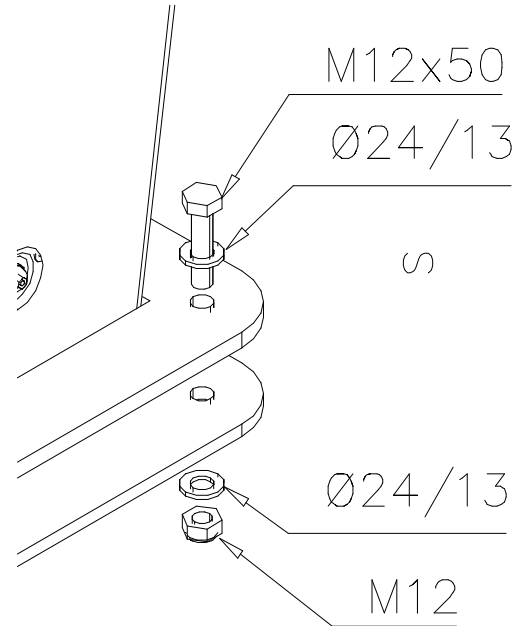
706733-602	DARK BROWN
706733-603	LIGHT BROWN
706733-604	GREY
706734-605	DARK GREY
706734-606	LIGHT GREY
706734-607	RED
706734-608	BLUE
706734-609	GREEN
706734-610	YELLOW
706734-611	LIME
706734-612	FUXIA



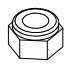

DET 1

Betoni /  
Concrete K30  
800x800x300

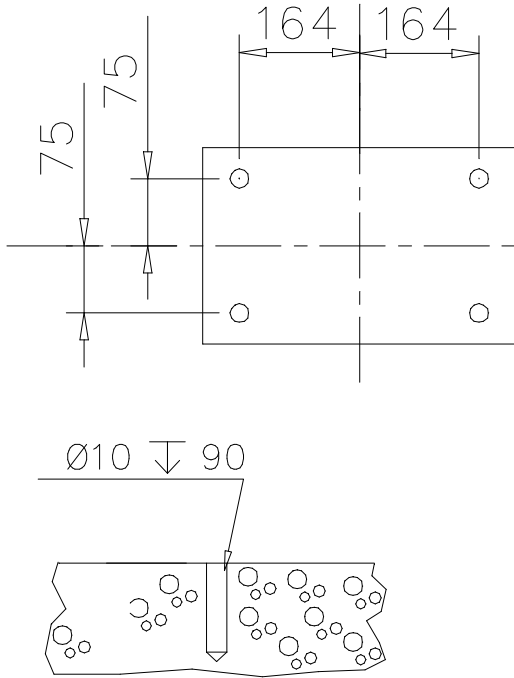


DET 2

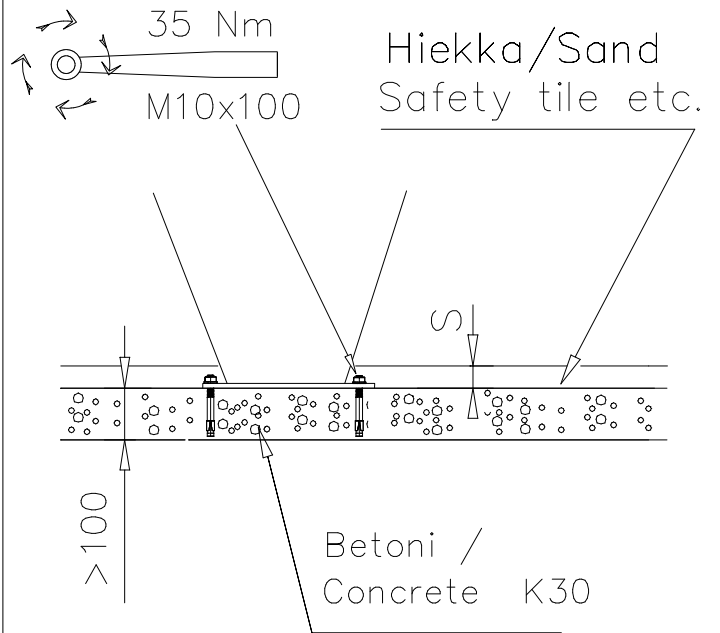


①	905898	PCS	②	909214	PCS
		1			4
	600x398x220			M12x50	
③	909248	PCS	④	980154	PCS
		4			8
	M12			Ø24/13	

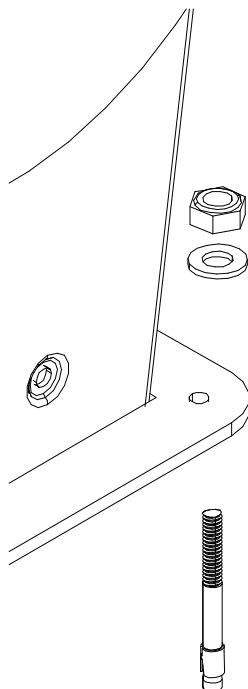
DET 1



DET 2



DET 3



① 909628	PCS		PCS
	4		
M10x100	PCS		PCS