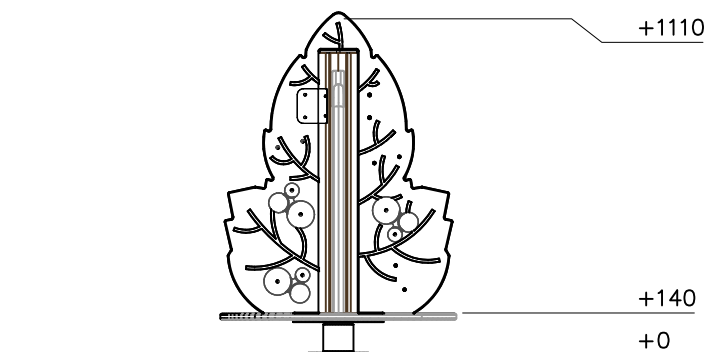
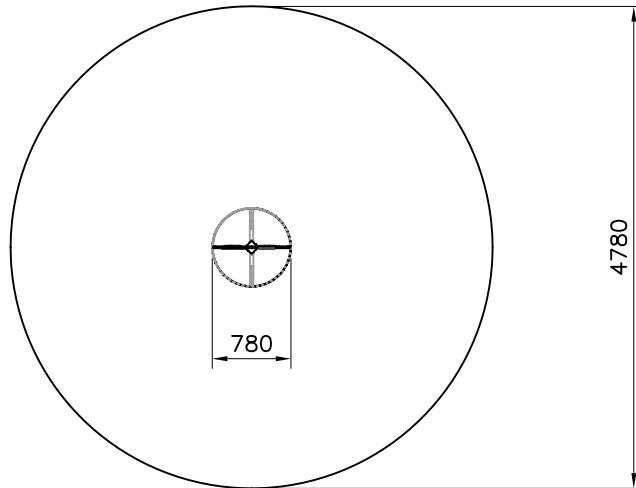


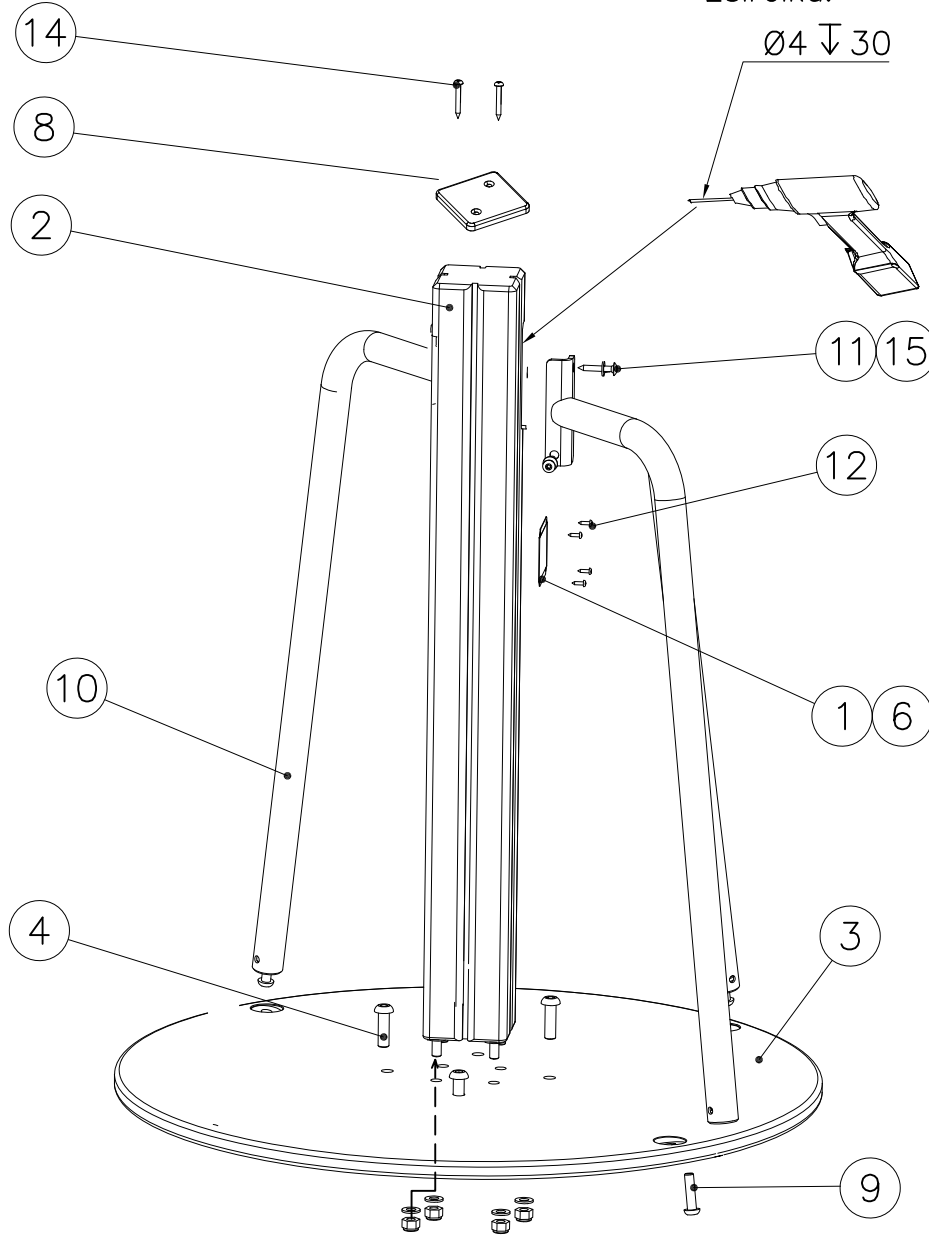
—— EN Impact Area 18 m<sup>2</sup>  
---- Falling Space 18 m<sup>2</sup>  
Max Falling Height 1000 mm



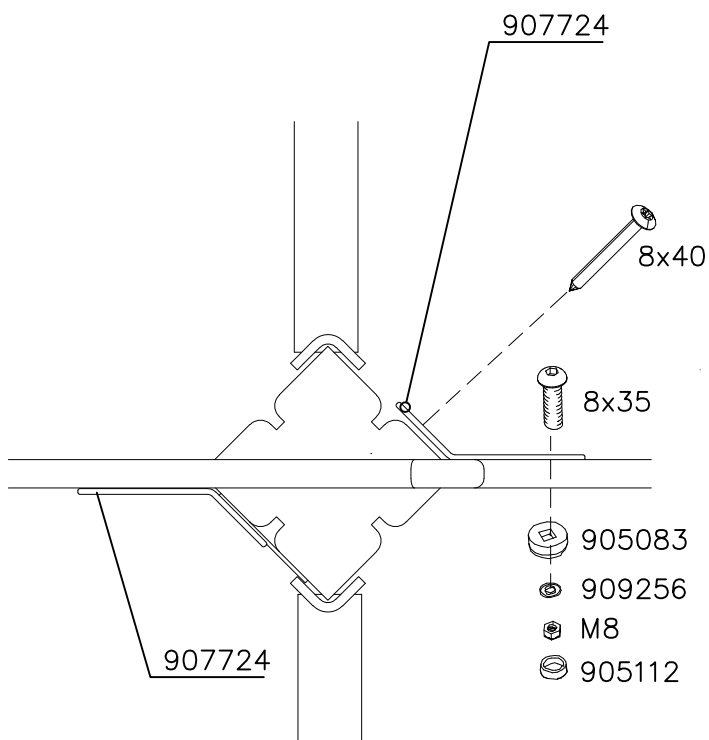
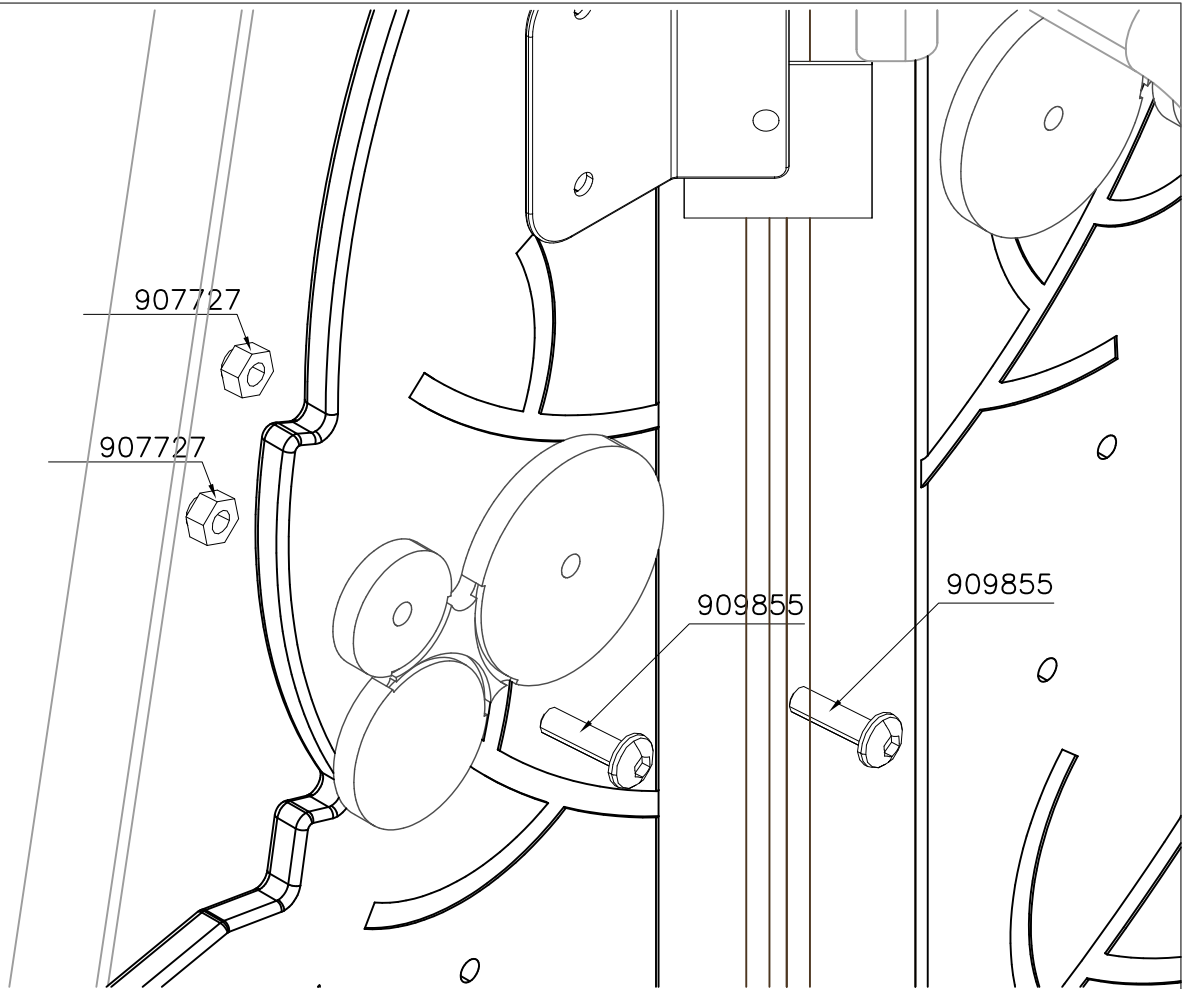
Note:  
Pre-Drill hole.

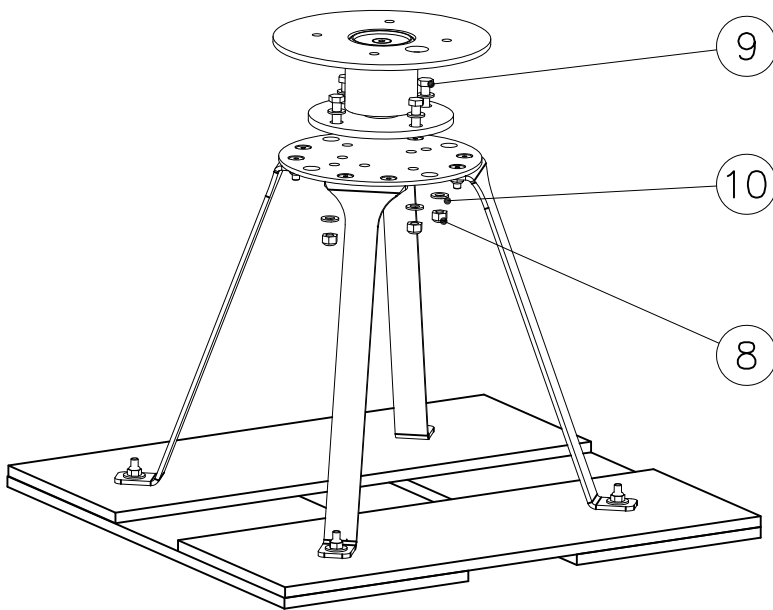
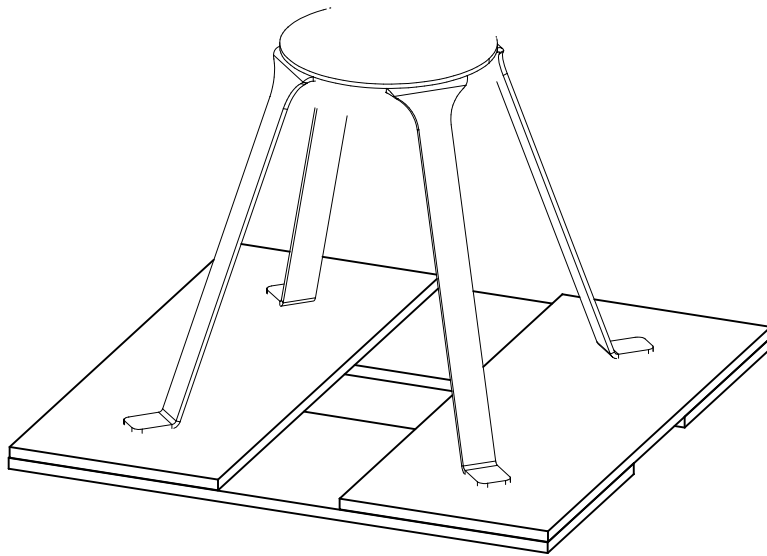
huom!  
Esireikä.

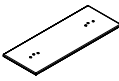

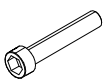


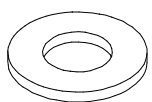


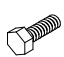
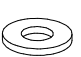
Ø4 ↓ 30



① 702286	PCS	② 706499	PCS
1		1	
90x50		93x93x860	
③ P10167	PCS	④ 900367	PCS
1		4	
20xØ780		M12x40	
⑤ 902012	PCS	⑬ 909644	PCS
1		12	
300x110		M8	
⑦ P15027	PCS	⑧ 706481	PCS
1		1	
15x780x1022		GREEN -707	
⑨ 907727	PCS	⑩ 907728	PCS
2		2	
M10x40		42x808x327	
⑪ 909256	PCS	⑫ 909506	PCS
12		4	
Ø16/8.4x1.6		Ø3.5x13	
⑬ 909644	PCS	⑭ 980107	PCS
4		2	
M12		Ø6x60	
⑮ 980128	PCS	⑯ 980154	PCS
8		4	
Ø7x40		Ø24/13	
⑰ 905083	PCS	⑱ 907724	PCS
4		2	
Ø32		3x115x110	
⑲ 907724	PCS	⑳ 909855	PCS
2		16	
3x115x110		Ø8x35	
⑳ 909855	PCS	㉑ 980150	PCS
16		4	
Ø8x35		M8	
㉑ 980150	PCS	㉒ P14987	PCS
4		6	
M8		M10x100	
⑳ 909855	PCS	㉓ 909628	PCS
16		4	
Ø8x35		Ø22	
㉒ P14987	PCS	㉔ 905112	PCS
6		4	
M10x100		Ø22	
㉓ 909628	PCS	㉕ 907724	PCS
4		2	
M12		3x115x110	
⑬ 909644	PCS	㉖ 905112	PCS
4		4	
M12		Ø22	
⑭ 980107	PCS	㉗ 905083	PCS
2		4	
Ø6x60		Ø32	
⑮ 980128	PCS	㉘ 907724	PCS
8		2	
Ø7x40		3x115x110	
⑯ 980154	PCS	㉙ 909855	PCS
4		16	
Ø24/13		Ø8x35	





① 707138	PCS	② 900958	PCS
	4		8
290x750		M10x30	
③ 902232	PCS	④ 905993	PCS
	4		1
M10x55			
⑤ 906000	PCS	⑥ 909255	PCS
	4		8
		Ø30/10.5	
⑦ 980161	PCS	⑧ 909248	PCS
	12		4
M10		M12	
⑨ 909347	PCS	⑩ 980154	PCS
	4		8
M12x35		Ø24/13	10

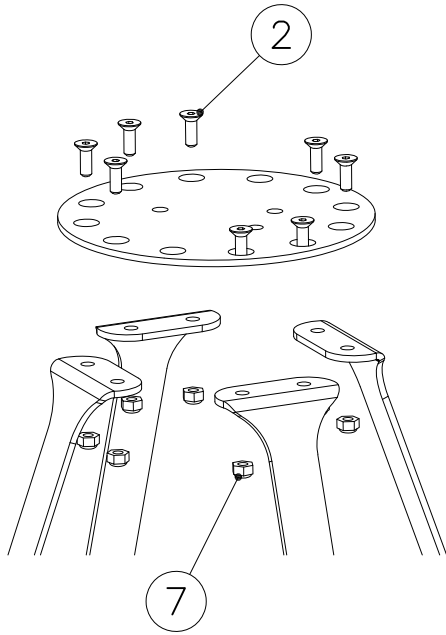
HOX:

– Kasattava kokonaisuutena ennen maahan asennusta.

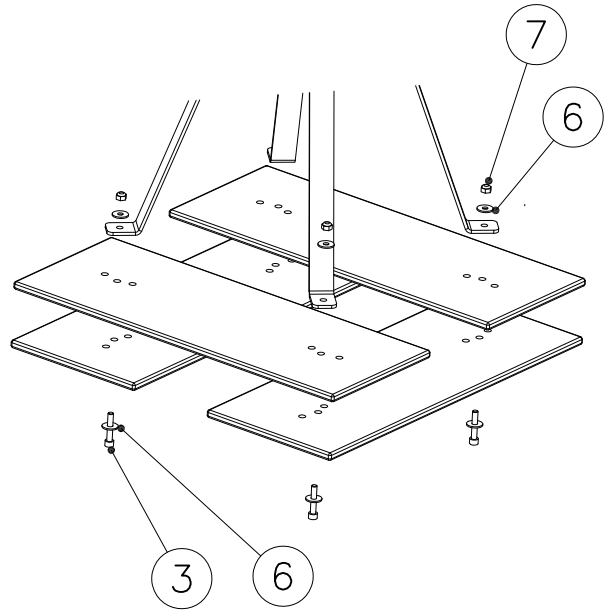
NOTE:

– Must be assembled entirely before ground installation.

DET 1

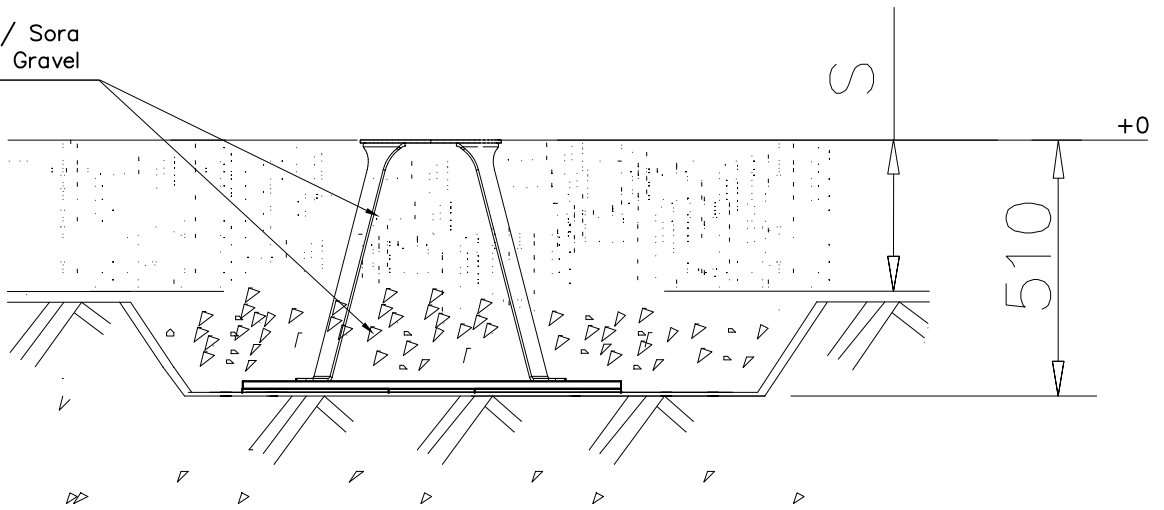


DET 2



DET 3 OPTIO 1

Hiekka/ Sora  
 Sand/ Gravel



DET 3 OPTIO 2 (WITH CONCRETE)

Hiekka/ Sora  
 Sand/ Gravel

Concrete  
 600x600x200

