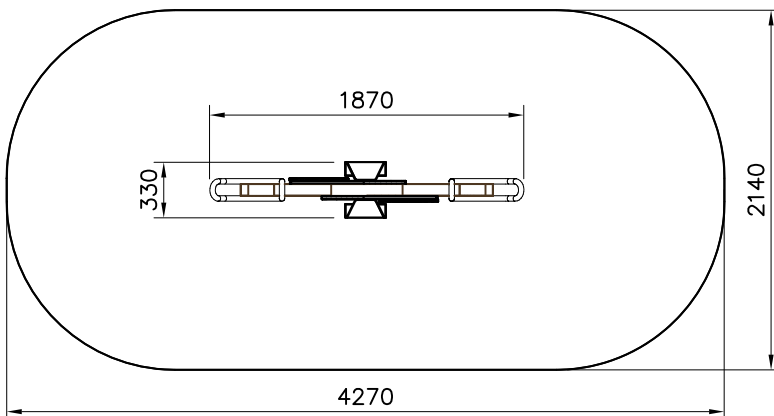
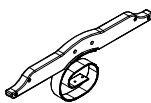
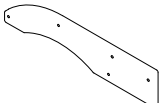



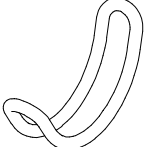




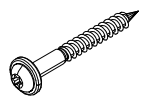
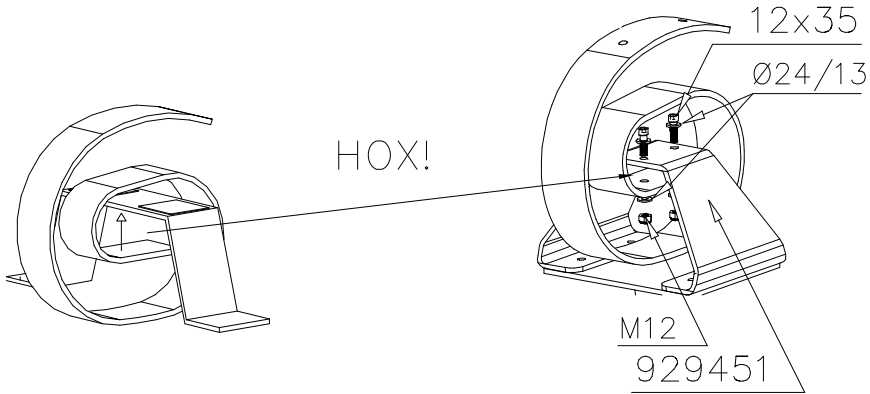


EN Impact Area 8.3 m<sup>2</sup>  
 Falling space 8.3 m<sup>2</sup>  
 Max falling height 590 mm.

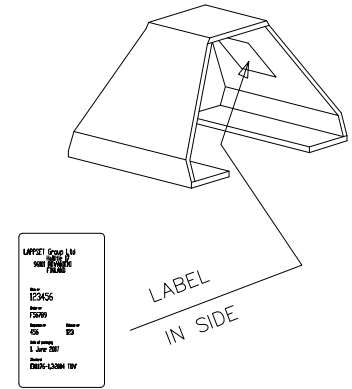


① 706737	PCS	② P14581	PCS
	1		2
1500x510x90		20x140x690	
③ 906511	PCS	④ 909146	PCS
	2		2
M12		M12x35	
⑤ 909851	PCS	⑥ 909895	PCS
	8		2
M8x55		479x249x134	
⑦ 929451	PCS	⑧ 980123	PCS
	1		4
330x240x190		Ø7x60	
⑨ 980154	PCS	⑩ 702341	PCS
	4		1
Ø24/13		90x50	
⑪ 900240	PCS	⑫ P14580	PCS
	6		2
Ø8x70			
	PCS		PCS
	PCS		PCS

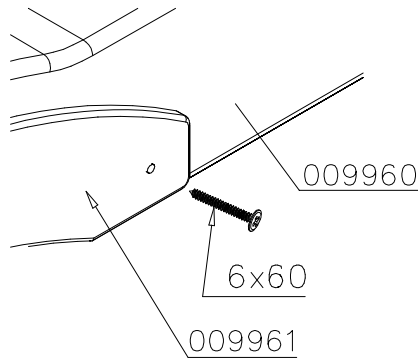
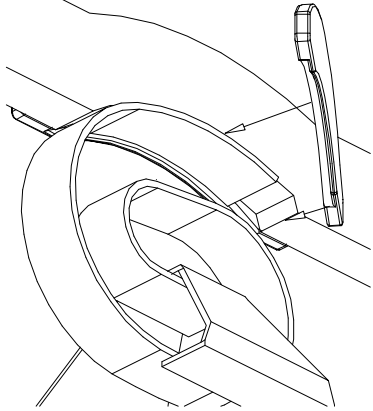
DET 1



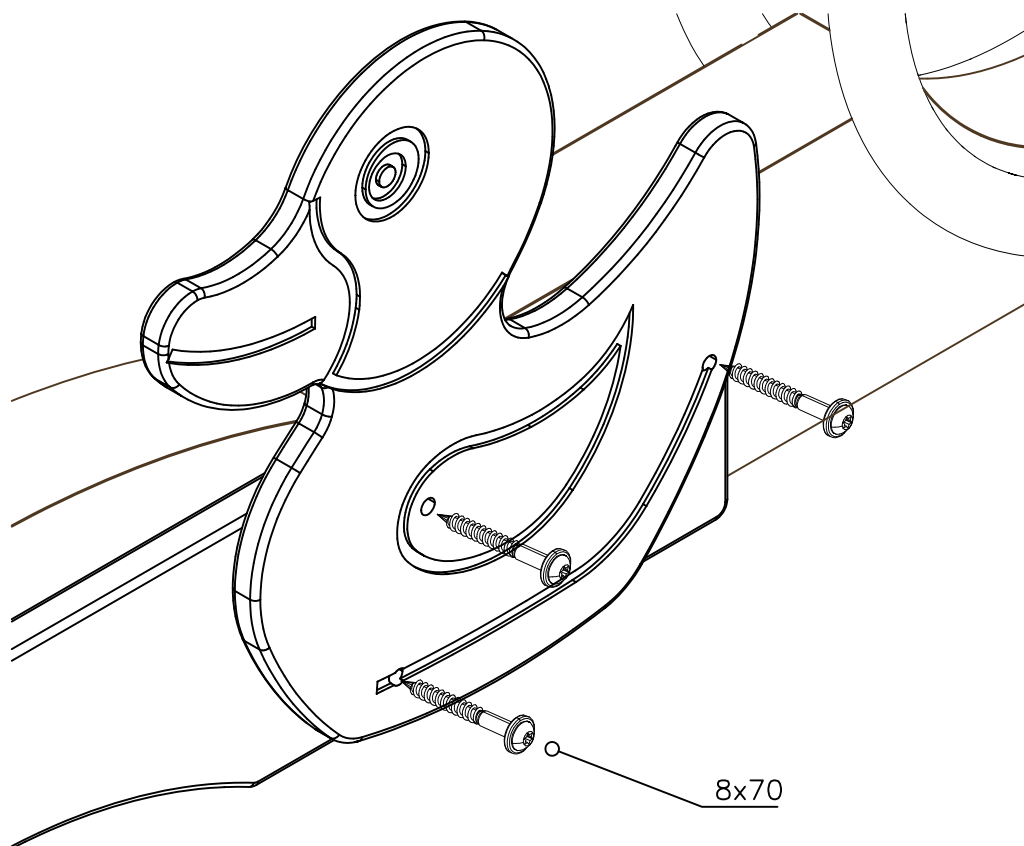
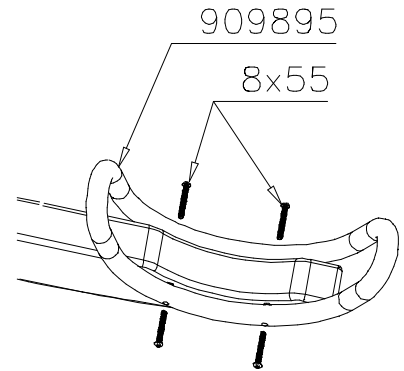
DET 2

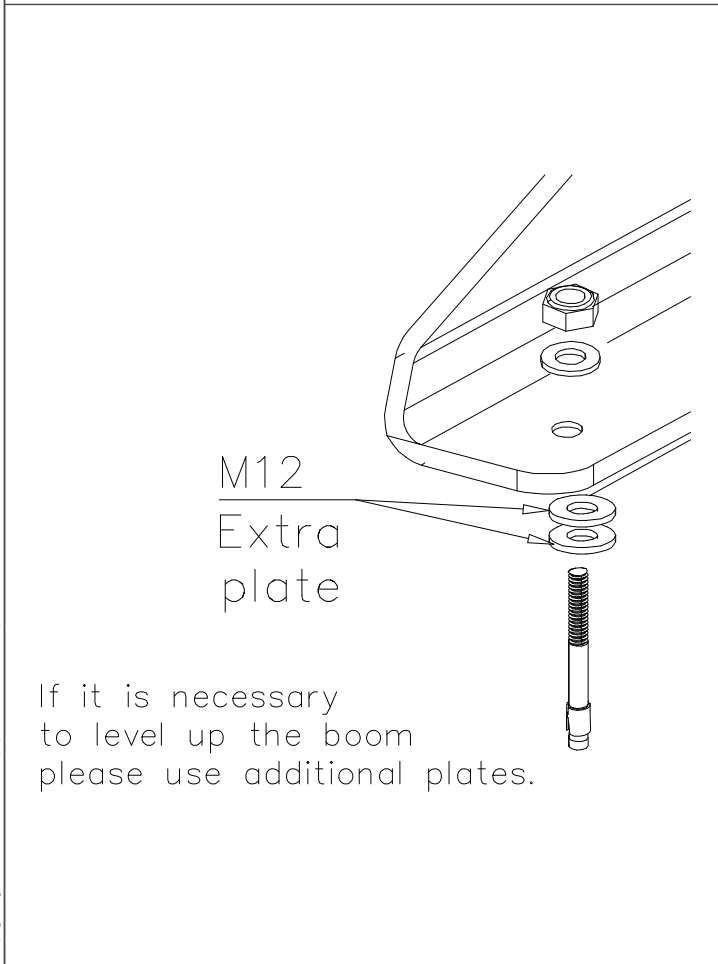
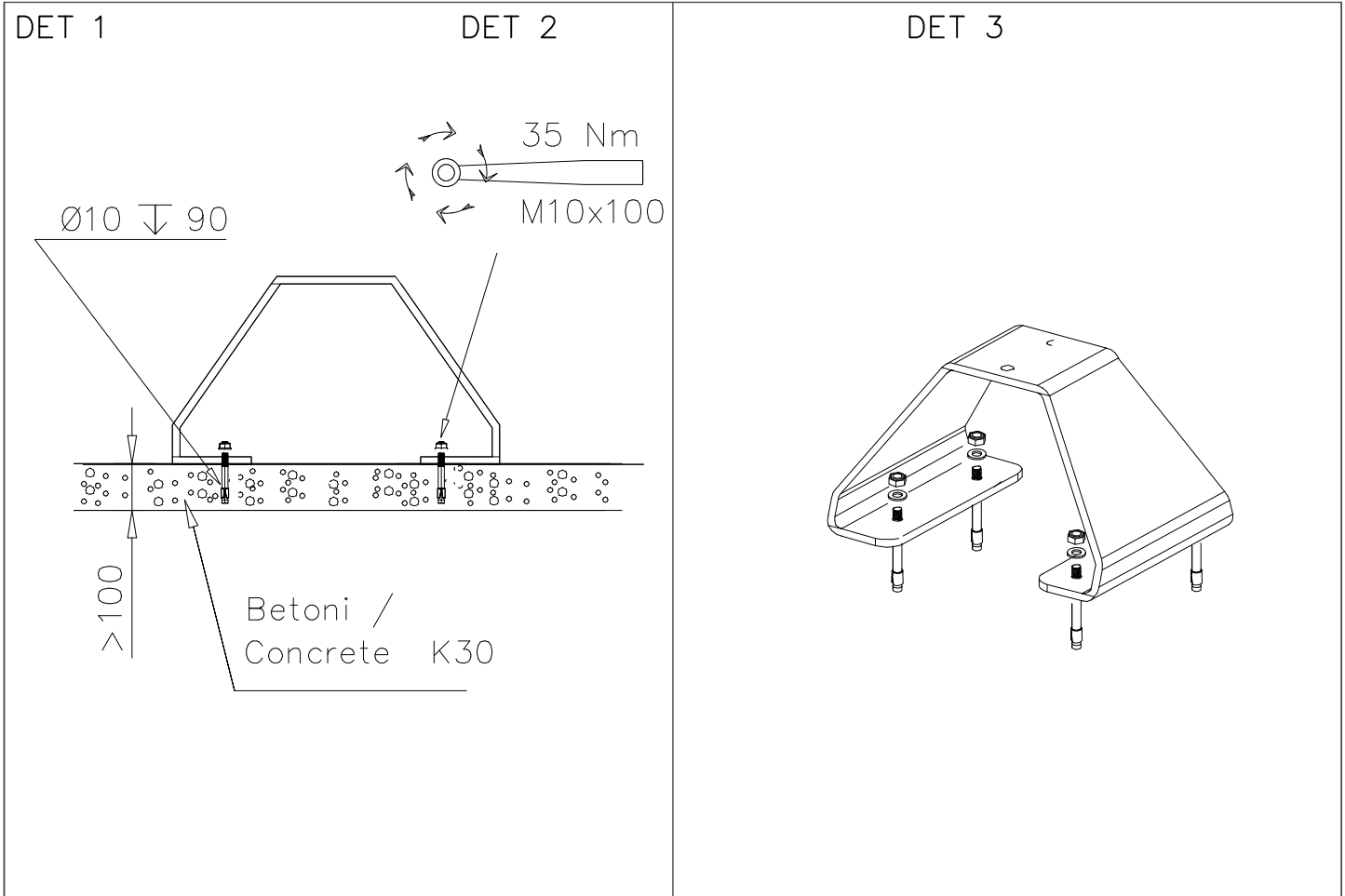




DET 3



DET 4

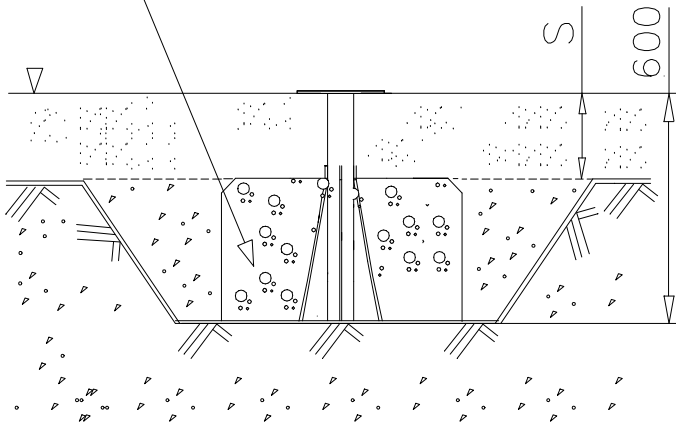




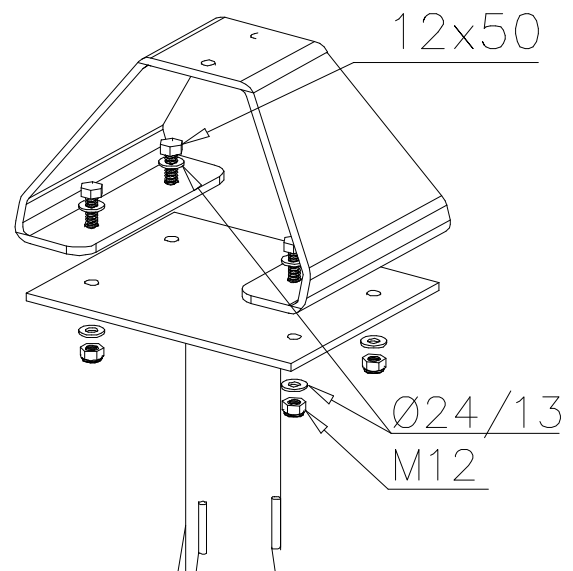
①	909628	PCS	②	980154	PCS
		4			18
	M10x100		Ø24/13		2
		PCS			PCS
		PCS			PCS
		PCS			PCS

DET 1

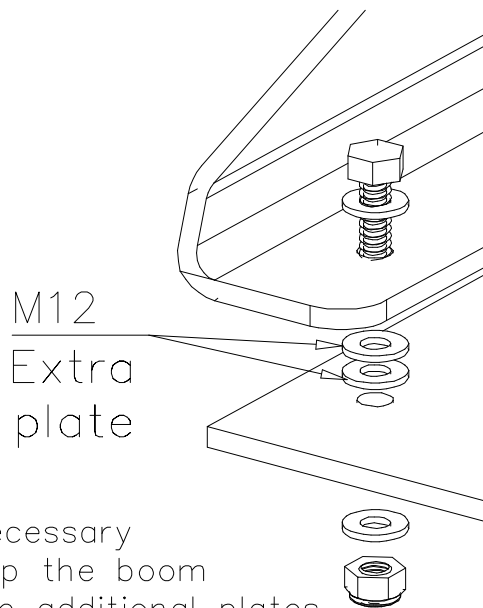
Betoni /  
Concrete K30  
800x800x300



DET 2



DET 3



① 929450	PCS	② 906511	PCS
	1		4
300x240x600		M12	
③ 909214	PCS	④ 980154	PCS
	4		18
M12x50		Ø24/13	
	PCS		PCS
	PCS		PCS