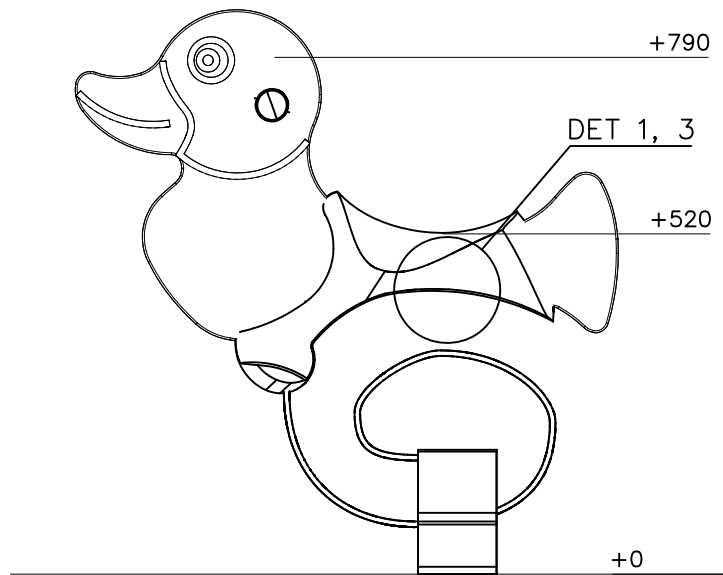
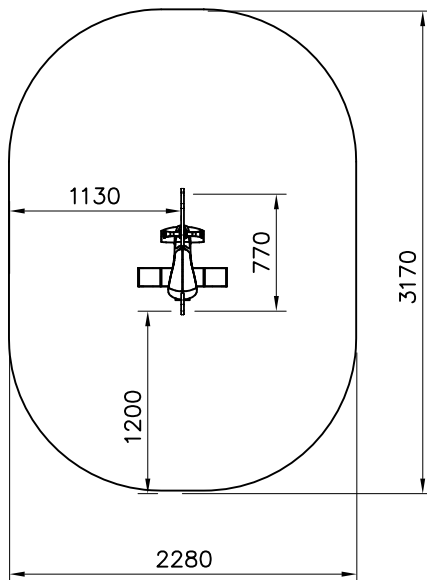
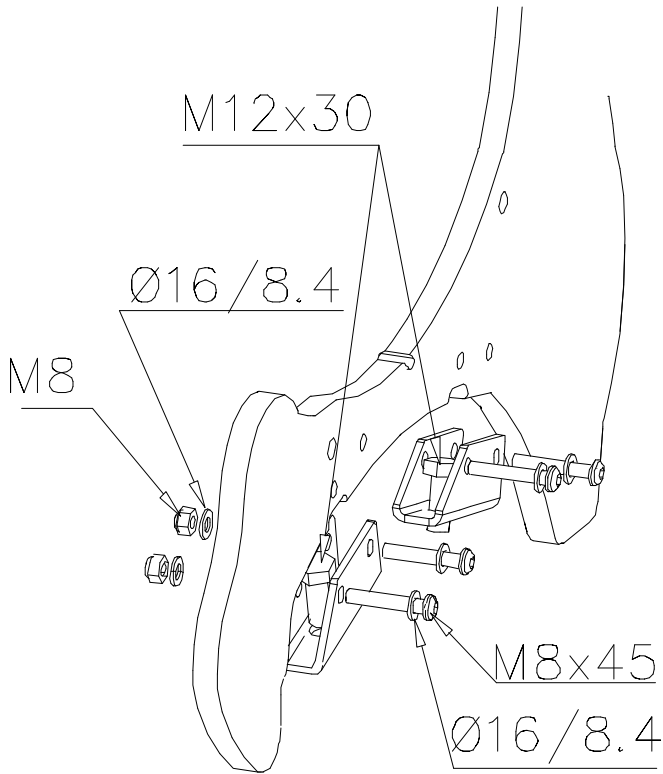


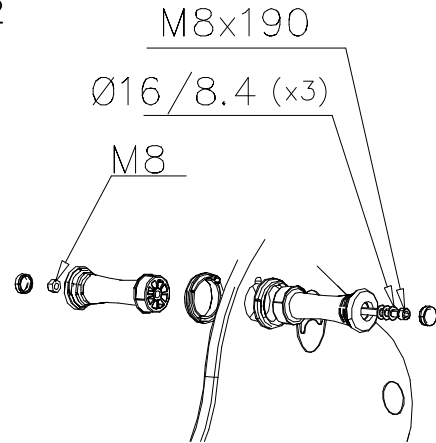
—— EN Impact Area 6.4 m2
 - - - - Falling Space 6.4 m2
 Max Falling Height 600 mm



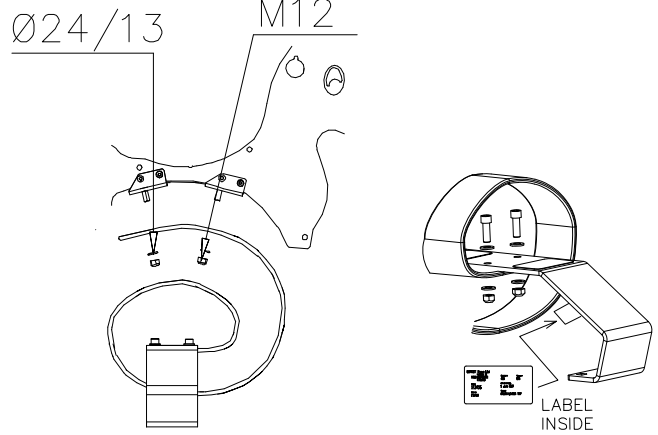
DET 1



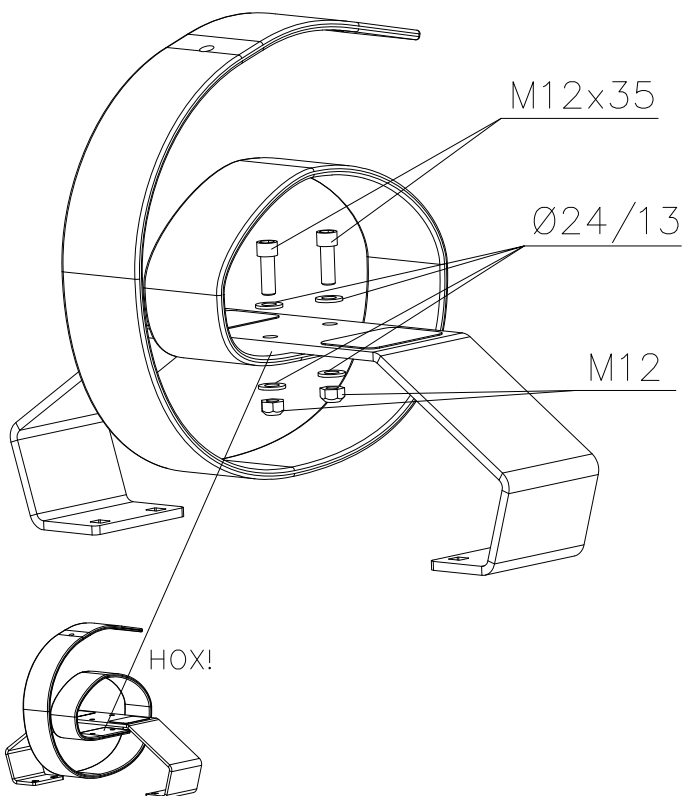
DET 2



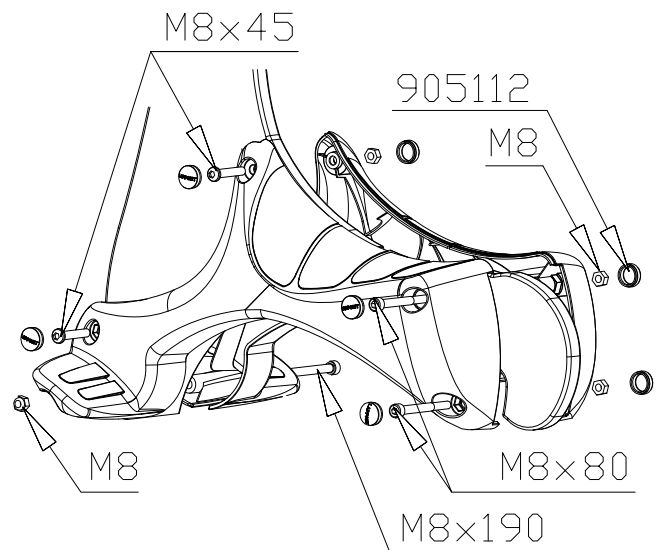
DET 3



DET 4



DET 5



707014



② 901899	PCS	③ 902095	PCS	④ 902133	PCS	⑤ 902211	PCS	⑥ 902303	PCS	⑦ 903149	PCS
	6		1		1		2		2		2
M8x45		RIGHT		LEFT						M12x30	
⑧ 905023	PCS	⑨ 905032	PCS	⑩ 905106	PCS	⑪ 905112	PCS	⑫ 906511	PCS	⑬ 909146	PCS
	2		1		1		10		4		2
		8,5x90		590x190x120		Ø22		M12		M12x35	
⑭ 909195	PCS	⑮ 909340	PCS	⑯ 980150	PCS	⑰ 980151	PCS	⑱ 980154	PCS		PCS
	2		2		10		11		6		
M8x190		M8x80		M8		Ø16/8.4		Ø24/13			

⑲ 702286	PCS
	1
90x50	