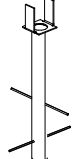


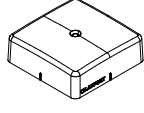
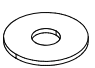


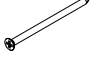

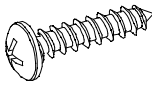
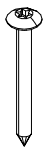
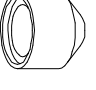
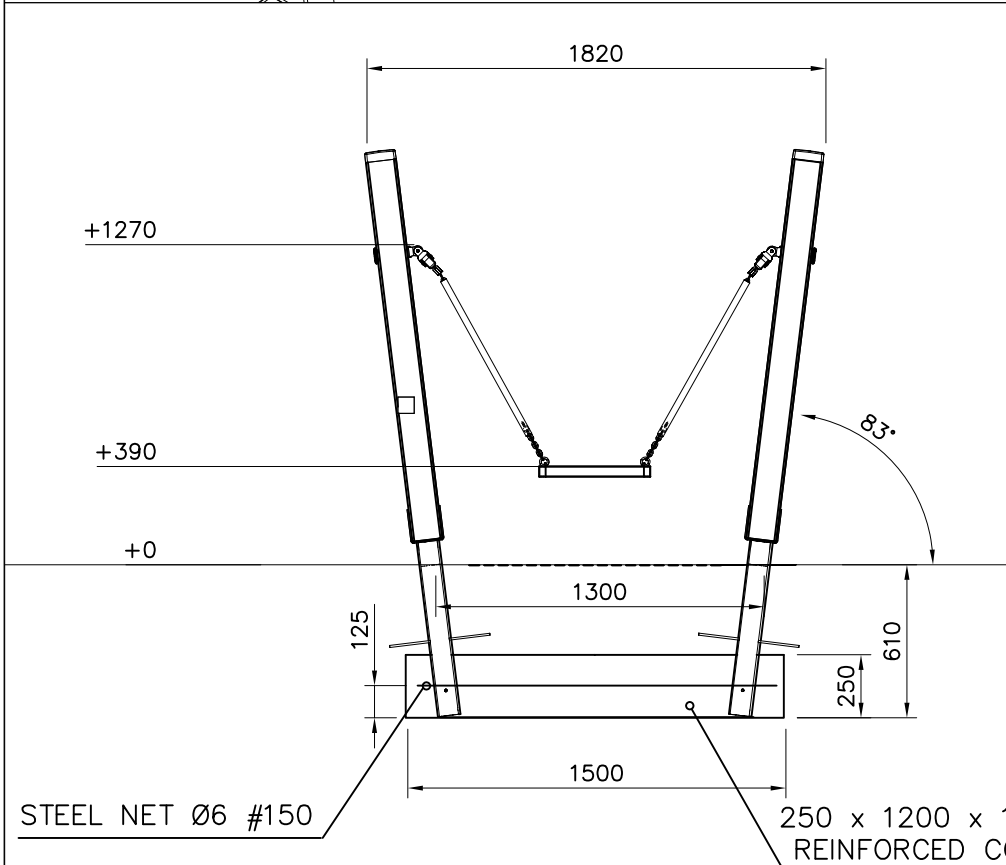
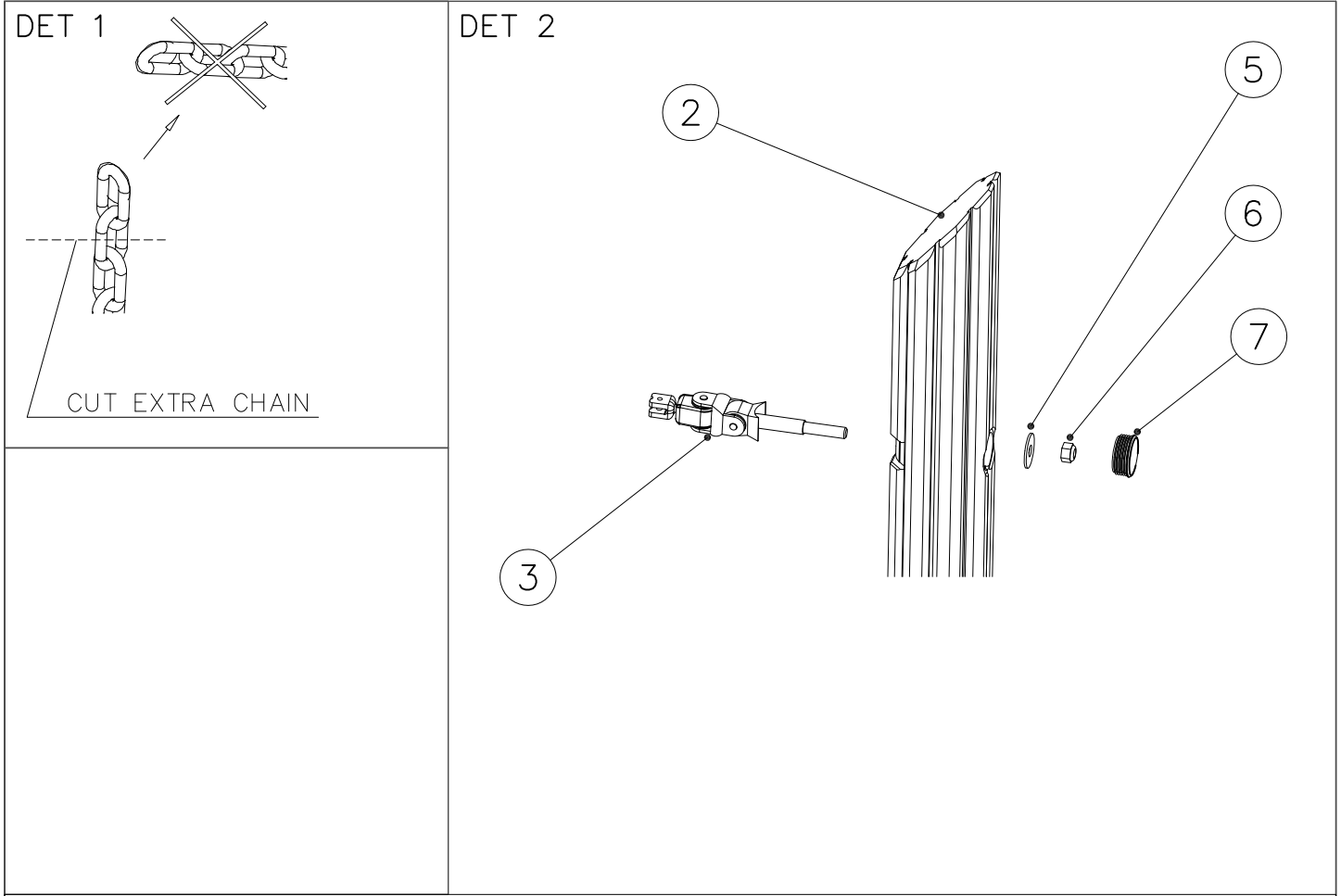


| | | | |
|---|-----|---|-----|
| ① 905761 | PCS | ② P14433 | PCS |
|  | 2 |  | 2 |
| 700 | | 118x118x1520 | |
| ③ 908414 | PCS | ④ 905830 | PCS |
|  | 2 |  | 2 |
| | | 120x120x40 | |
| ⑤ 910722 | PCS | ⑥ 903158 | PCS |
|  | 2 |  | 2 |
| 50/17x3 | | M16 | |
| ⑦ 908612 | PCS | ⑧ 980104 | PCS |
|  | 2 |  | 2 |
| Ø60x27 | | Ø5x90 | |
| ⑨ 702286 | PCS | ⑩ 909506 | PCS |
|  | 1 |  | 4 |
| 65x65 | | 3,5x13 | |
| ⑪ 980123 | PCS | ⑫ 905104 | PCS |
|  | 8 |  | 8 |
| 7x60 | | M10 | |





— EN Impact Area 7.7 m²
 - - - Falling Space 7.7 m²
 Max Falling Height 1000 mm

