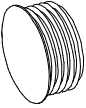
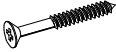
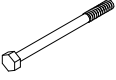




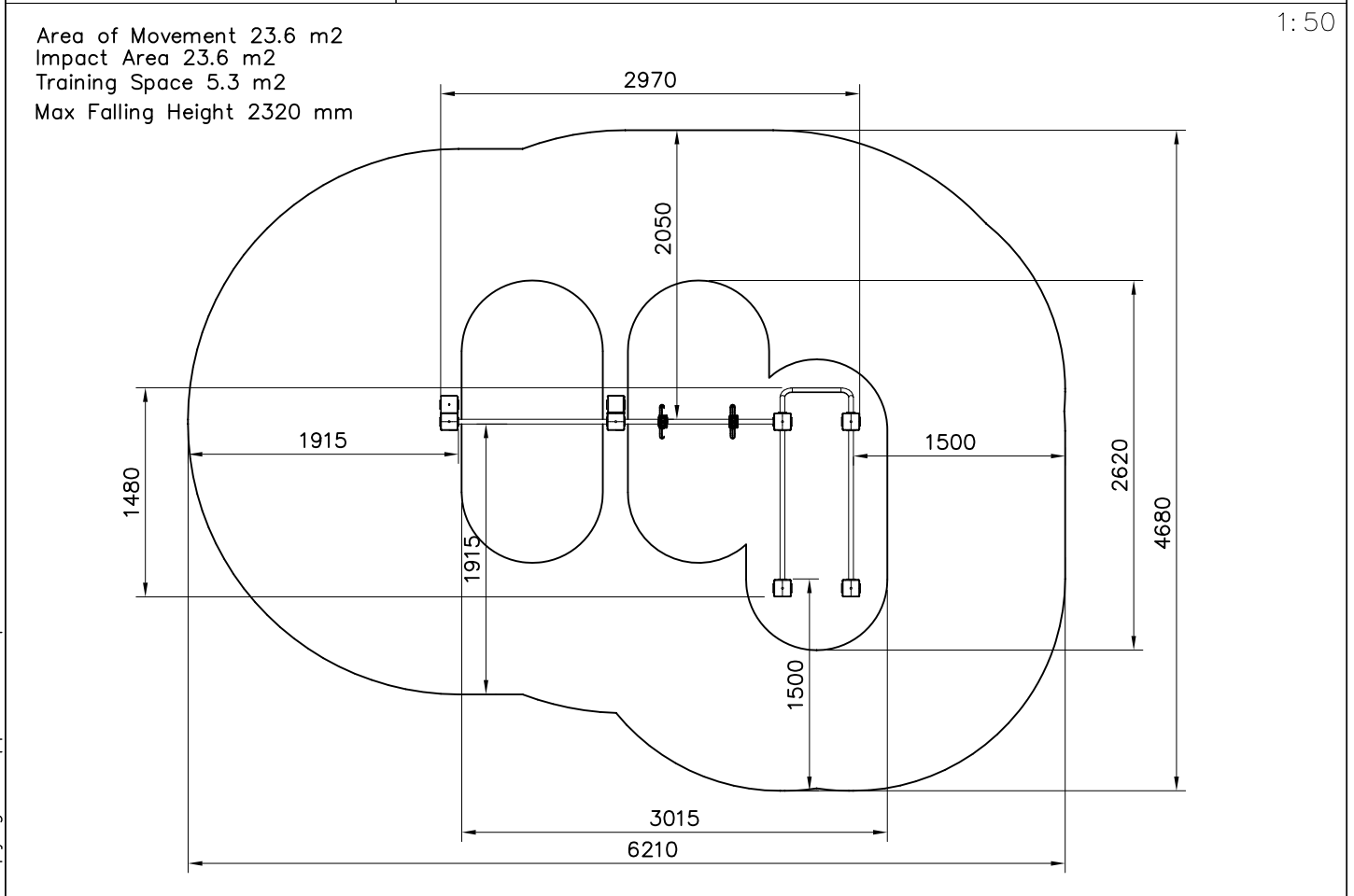
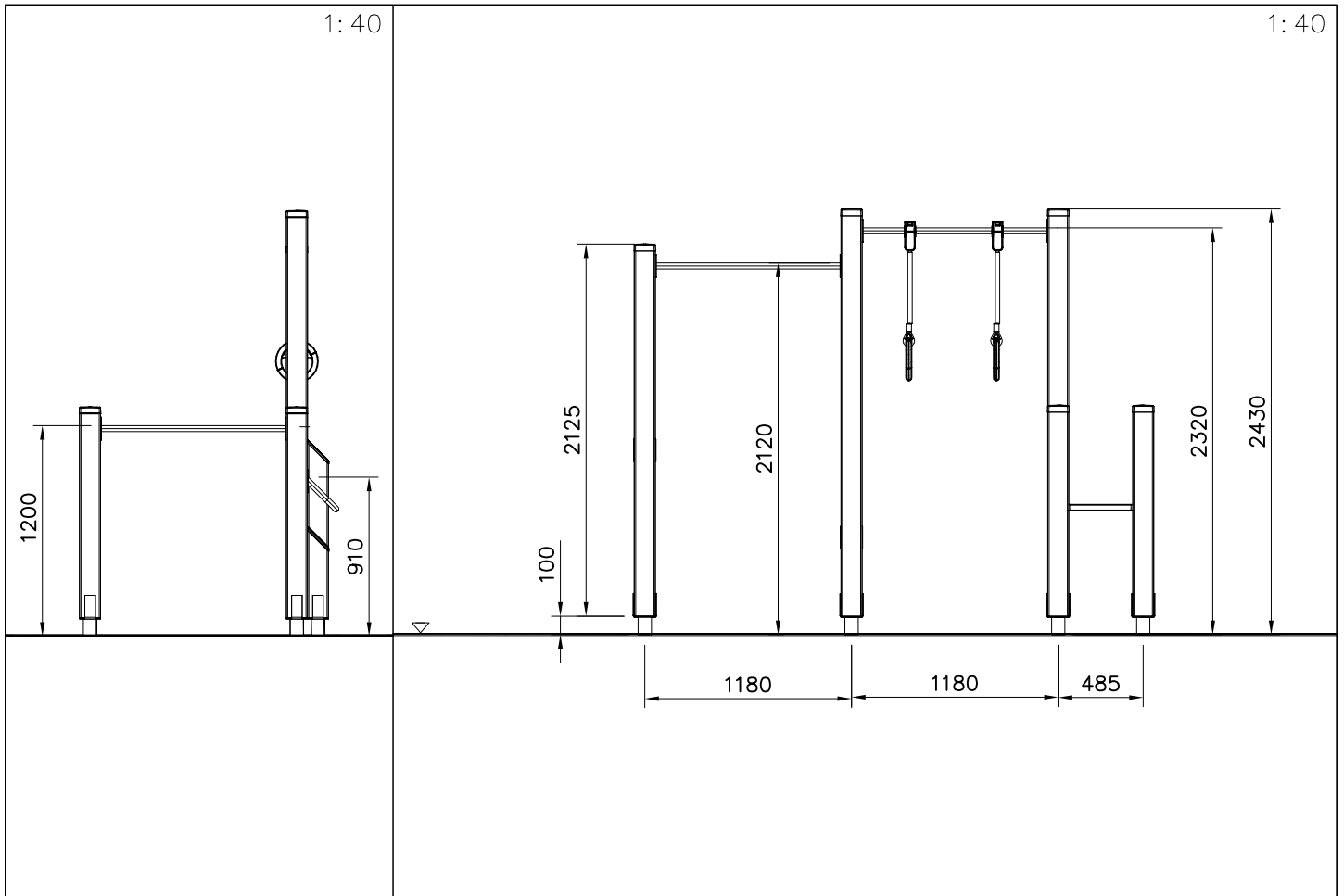




		<table border="1"> <tr> <td>①</td> <td>706034</td> <td>PCS</td> <td></td> <td>②</td> <td>705040</td> <td>PCS</td> <td></td> </tr> <tr> <td></td> <td></td> <td></td> <td>1</td> <td></td> <td></td> <td></td> <td>2</td> </tr> <tr> <td></td> <td></td> <td></td> <td></td> <td></td> <td>Ø16x764</td> <td></td> <td></td> </tr> <tr> <td>③</td> <td>705018</td> <td>PCS</td> <td></td> <td>④</td> <td>705388</td> <td>PCS</td> <td></td> </tr> <tr> <td></td> <td></td> <td></td> <td>3</td> <td></td> <td></td> <td></td> <td>1</td> </tr> <tr> <td></td> <td>120x120x1170</td> <td></td> <td></td> <td></td> <td>120x120x2090</td> <td></td> <td></td> </tr> <tr> <td>⑤</td> <td>902195</td> <td>PCS</td> <td></td> <td>⑥</td> <td>902232</td> <td>PCS</td> <td></td> </tr> <tr> <td></td> <td></td> <td></td> <td>4</td> <td></td> <td></td> <td></td> <td>2</td> </tr> <tr> <td></td> <td>150x50x50</td> <td></td> <td></td> <td></td> <td>M10x55</td> <td></td> <td></td> </tr> <tr> <td>⑦</td> <td>902233</td> <td>PCS</td> <td></td> <td>⑧</td> <td>706089</td> <td>PCS</td> <td></td> </tr> <tr> <td></td> <td></td> <td></td> <td>2</td> <td></td> <td></td> <td></td> <td>1</td> </tr> <tr> <td></td> <td>M10x30</td> <td></td> <td></td> <td></td> <td></td> <td></td> <td></td> </tr> <tr> <td>⑨</td> <td>905104</td> <td>PCS</td> <td></td> <td>⑩</td> <td>905761</td> <td>PCS</td> <td></td> </tr> <tr> <td></td> <td></td> <td></td> <td>32</td> <td></td> <td></td> <td></td> <td>8</td> </tr> <tr> <td></td> <td>M10</td> <td></td> <td></td> <td></td> <td>120x120x700</td> <td></td> <td></td> </tr> <tr> <td>⑪</td> <td>905830</td> <td>PCS</td> <td></td> <td>⑫</td> <td>905838</td> <td>PCS</td> <td></td> </tr> <tr> <td></td> <td></td> <td></td> <td>6</td> <td></td> <td></td> <td></td> <td>4</td> </tr> <tr> <td></td> <td>123x123x40</td> <td></td> <td></td> <td></td> <td>L=1060</td> <td></td> <td></td> </tr> <tr> <td>⑬</td> <td>705335</td> <td>PCS</td> <td></td> <td>⑭</td> <td>705402</td> <td>PCS</td> <td></td> </tr> <tr> <td></td> <td></td> <td></td> <td>1</td> <td></td> <td></td> <td></td> <td>1</td> </tr> <tr> <td></td> <td>120x120x1000</td> <td></td> <td></td> <td></td> <td>120x120x2290</td> <td></td> <td></td> </tr> <tr> <td>⑮</td> <td>905934</td> <td>PCS</td> <td></td> <td>⑯</td> <td>906006</td> <td>PCS</td> <td></td> </tr> <tr> <td></td> <td></td> <td></td> <td>1</td> <td></td> <td></td> <td></td> <td>4</td> </tr> <tr> <td></td> <td>L=485</td> <td></td> <td></td> <td></td> <td>Ø64/34,5x59</td> <td></td> <td></td> </tr> <tr> <td></td> <td></td> <td></td> <td></td> <td>⑰</td> <td>706090</td> <td>PCS</td> <td></td> </tr> <tr> <td></td> <td></td> <td></td> <td></td> <td></td> <td></td> <td></td> <td>1</td> </tr> <tr> <td>⑱</td> <td>705406</td> <td>PCS</td> <td></td> <td>⑳</td> <td>980104</td> <td>PCS</td> <td></td> </tr> <tr> <td></td> <td></td> <td></td> <td>1</td> <td></td> <td></td> <td></td> <td>6</td> </tr> <tr> <td></td> <td>126x181x18</td> <td></td> <td></td> <td></td> <td>Ø5x90</td> <td></td> <td></td> </tr> <tr> <td>㉑</td> <td>705405</td> <td>PCS</td> <td></td> <td>㉒</td> <td>980123</td> <td>PCS</td> <td></td> </tr> <tr> <td></td> <td></td> <td></td> <td>1</td> <td></td> <td></td> <td></td> <td>72</td> </tr> <tr> <td></td> <td>120x120x500</td> <td></td> <td></td> <td></td> <td>Ø7x60</td> <td></td> <td></td> </tr> <tr> <td>㉓</td> <td>980161</td> <td>PCS</td> <td></td> <td>㉔</td> <td>705320</td> <td>PCS</td> <td></td> </tr> <tr> <td></td> <td></td> <td></td> <td>4</td> <td></td> <td></td> <td></td> <td>1</td> </tr> <tr> <td></td> <td>M10</td> <td></td> <td></td> <td></td> <td>120x120x2290</td> <td></td> <td></td> </tr> </table>	①	706034	PCS		②	705040	PCS					1				2						Ø16x764			③	705018	PCS		④	705388	PCS					3				1		120x120x1170				120x120x2090			⑤	902195	PCS		⑥	902232	PCS					4				2		150x50x50				M10x55			⑦	902233	PCS		⑧	706089	PCS					2				1		M10x30							⑨	905104	PCS		⑩	905761	PCS					32				8		M10				120x120x700			⑪	905830	PCS		⑫	905838	PCS					6				4		123x123x40				L=1060			⑬	705335	PCS		⑭	705402	PCS					1				1		120x120x1000				120x120x2290			⑮	905934	PCS		⑯	906006	PCS					1				4		L=485				Ø64/34,5x59							⑰	706090	PCS									1	⑱	705406	PCS		⑳	980104	PCS					1				6		126x181x18				Ø5x90			㉑	705405	PCS		㉒	980123	PCS					1				72		120x120x500				Ø7x60			㉓	980161	PCS		㉔	705320	PCS					4				1		M10				120x120x2290		
		①	706034	PCS		②	705040	PCS																																																																																																																																																																																																																																																																																		
					1				2																																																																																																																																																																																																																																																																																	
							Ø16x764																																																																																																																																																																																																																																																																																			
		③	705018	PCS		④	705388	PCS																																																																																																																																																																																																																																																																																		
					3				1																																																																																																																																																																																																																																																																																	
			120x120x1170				120x120x2090																																																																																																																																																																																																																																																																																			
		⑤	902195	PCS		⑥	902232	PCS																																																																																																																																																																																																																																																																																		
					4				2																																																																																																																																																																																																																																																																																	
			150x50x50				M10x55																																																																																																																																																																																																																																																																																			
		⑦	902233	PCS		⑧	706089	PCS																																																																																																																																																																																																																																																																																		
					2				1																																																																																																																																																																																																																																																																																	
			M10x30																																																																																																																																																																																																																																																																																							
		⑨	905104	PCS		⑩	905761	PCS																																																																																																																																																																																																																																																																																		
					32				8																																																																																																																																																																																																																																																																																	
			M10				120x120x700																																																																																																																																																																																																																																																																																			
		⑪	905830	PCS		⑫	905838	PCS																																																																																																																																																																																																																																																																																		
					6				4																																																																																																																																																																																																																																																																																	
			123x123x40				L=1060																																																																																																																																																																																																																																																																																			
		⑬	705335	PCS		⑭	705402	PCS																																																																																																																																																																																																																																																																																		
					1				1																																																																																																																																																																																																																																																																																	
			120x120x1000				120x120x2290																																																																																																																																																																																																																																																																																			
		⑮	905934	PCS		⑯	906006	PCS																																																																																																																																																																																																																																																																																		
			1				4																																																																																																																																																																																																																																																																																			
	L=485				Ø64/34,5x59																																																																																																																																																																																																																																																																																					
				⑰	706090	PCS																																																																																																																																																																																																																																																																																				
							1																																																																																																																																																																																																																																																																																			
⑱	705406	PCS		⑳	980104	PCS																																																																																																																																																																																																																																																																																				
			1				6																																																																																																																																																																																																																																																																																			
	126x181x18				Ø5x90																																																																																																																																																																																																																																																																																					
㉑	705405	PCS		㉒	980123	PCS																																																																																																																																																																																																																																																																																				
			1				72																																																																																																																																																																																																																																																																																			
	120x120x500				Ø7x60																																																																																																																																																																																																																																																																																					
㉓	980161	PCS		㉔	705320	PCS																																																																																																																																																																																																																																																																																				
			4				1																																																																																																																																																																																																																																																																																			
	M10				120x120x2290																																																																																																																																																																																																																																																																																					



<p>②④ 905103</p>  <p>PT-28/32-H</p>	<p>PCS</p> <p>4</p>	<p>②⑤ 980100</p>  <p>Ø5x60</p>	<p>PCS</p> <p>2</p>	<p>②⑥ 909246</p>  <p>M12x140</p>	<p>PCS</p> <p>4</p>	<p>②⑦ 980154</p>  <p>Ø24/13</p>	<p>PCS</p> <p>4</p>	<p>②⑧ 906583</p>  <p>126x181x14x3</p>	<p>PCS</p> <p>1</p>	<p>②⑨ 980114</p>  <p>Ø4x20</p>	<p>PCS</p> <p>12</p>
<p>③⑩ 909256</p>  <p>Ø16/8.4</p>	<p>PCS</p> <p>72</p>										



		
<p><b><math>h &lt; 600</math></b></p> <p>Without movement and therefore without Impact Area</p>	<p>Totally hard surfaces.</p> <p>Note. Lappset does <u>not recommend</u> totally hard surfaces at all.</p>	<p>E.g. concrete or asphalt</p> 
<p><b><math>h &lt; 600</math></b></p> <p>With movement e.g. rocking</p>	<p>Materials with very limited impact attenuating properties.</p>	<p>E.g. wood</p> 
<p><b><math>h &lt; 1000</math></b></p>	<p>Materials with significant impact attenuating properties.</p>	<p>fine gravel 0–8 mm</p>  <p>grass</p>  <p>unsorted sand</p> 
<p><b><math>h &lt; 3000</math></b></p>	<p>Loose fill material</p> <p>E.g. sand/gravel 0,25...8 mm D60/D10&lt;3,0 Woodchips 5...30 mm bark 20...80 mm</p>	 <p><math>\underline{S}</math>                      <math>\underline{h}</math></p> <p>30 cm                      &lt; 2,0 m</p> <p>40 cm                      &lt; 3,0 m</p>
	<p>Syntethic granulates</p> <p><math>\underline{S}</math>                      <math>\underline{h}</math></p> <p>40 mm ~&gt; 1,2...1,3 m</p> <p>50 mm ~&gt; 1,5...1,7 m</p> <p>60 mm ~&gt; 1,8...2,0 m</p> <p>70 mm ~&gt; 2,1...2,5 m</p> <p>Note. For accurate values, see manufacturer's instructions.</p>	

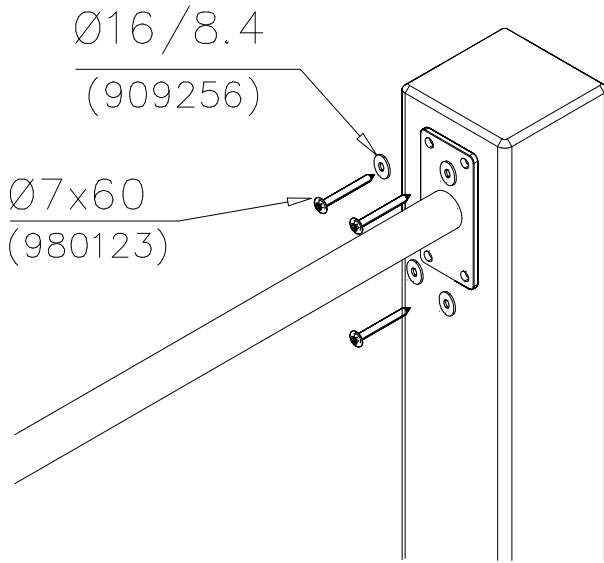
REMOVE SAFETY SURFACE/SAND/GRAVEL  
TO CHECK FOUNDATION



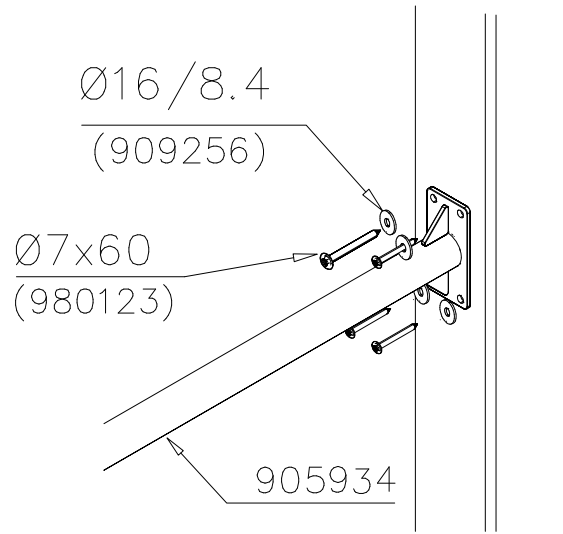
REMOVE SAFETY SURFACE/SAND/GRAVEL  
TO CHECK FOUNDATION



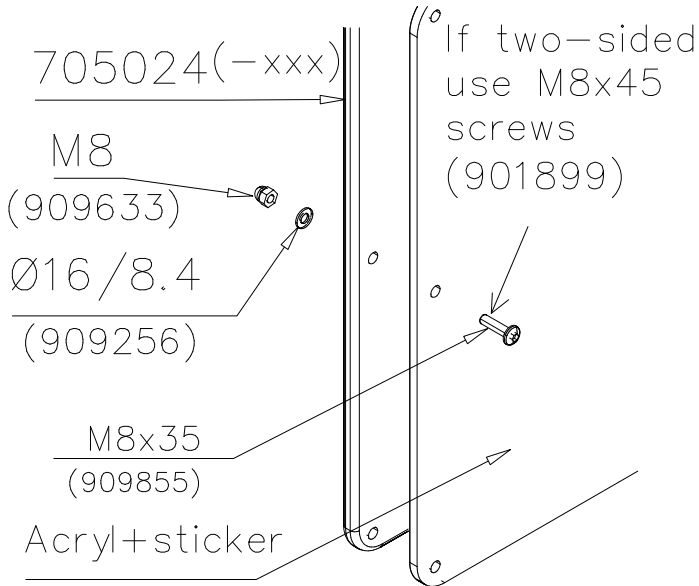
DET 1



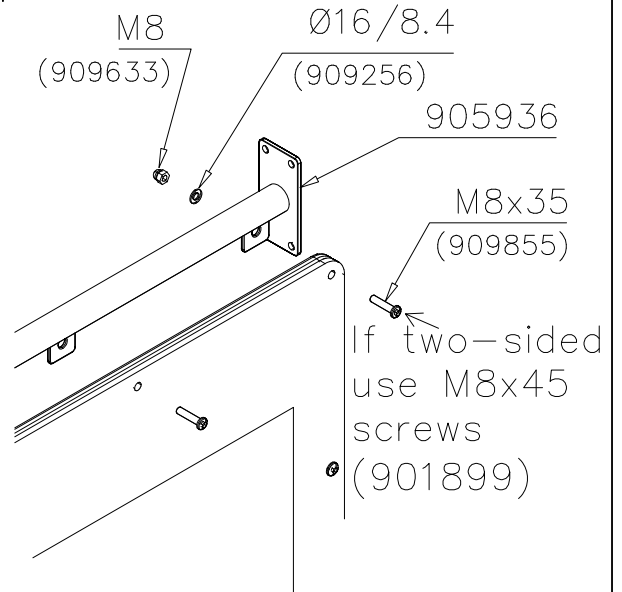
DET 2



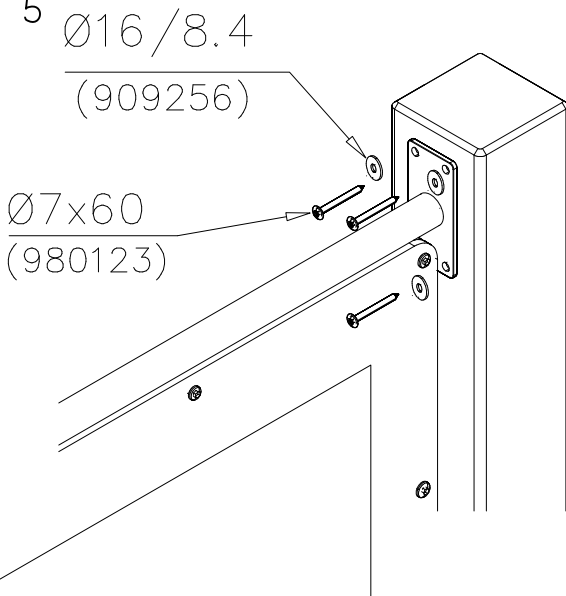
DET 3



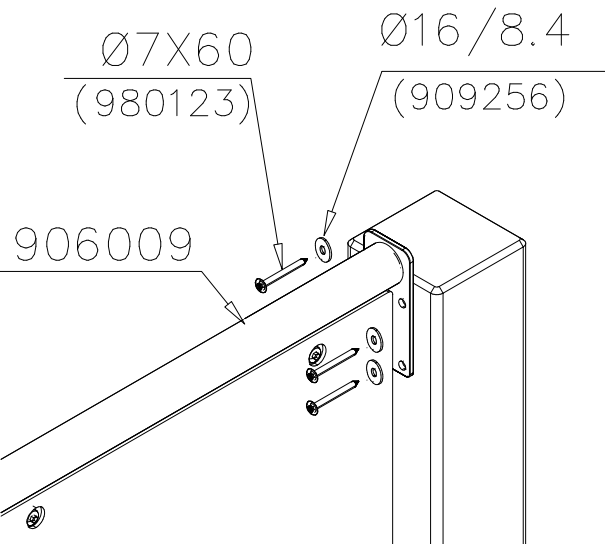
DET 4

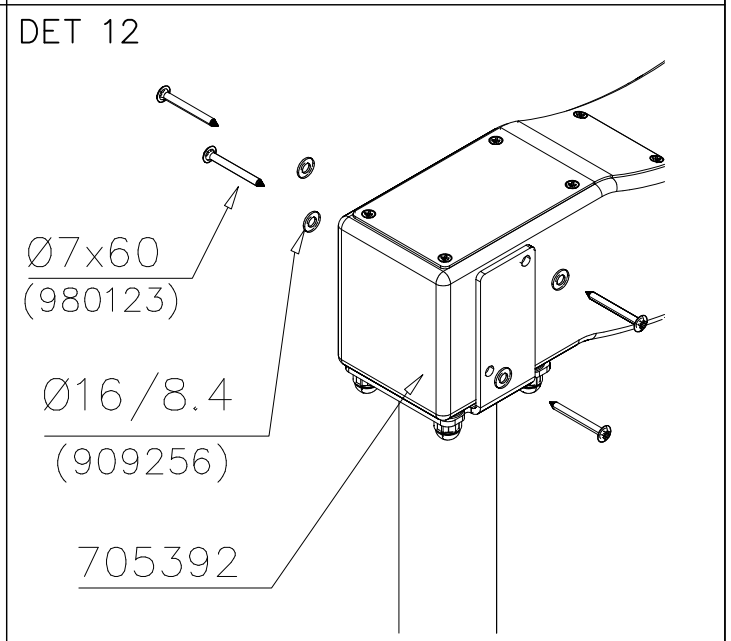
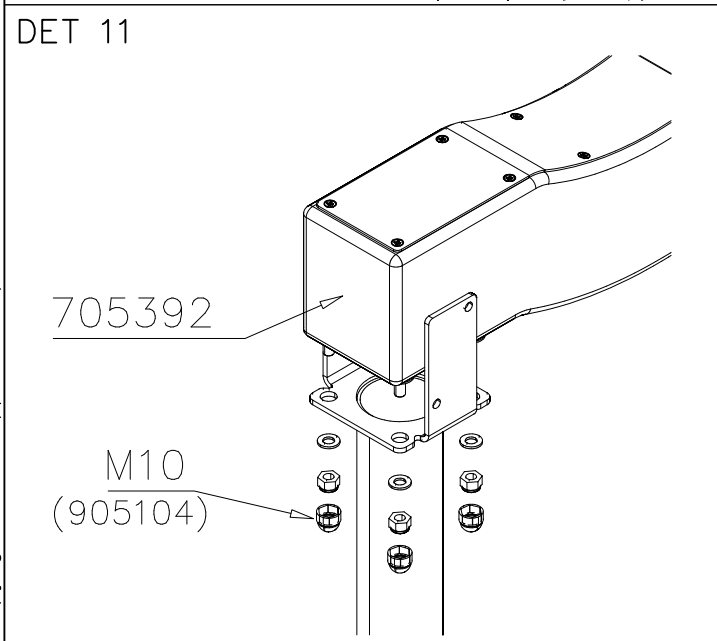
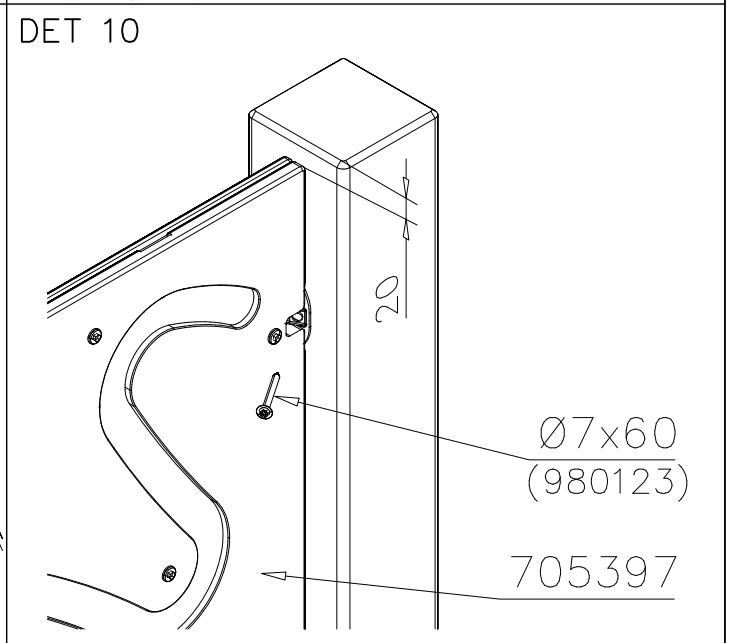
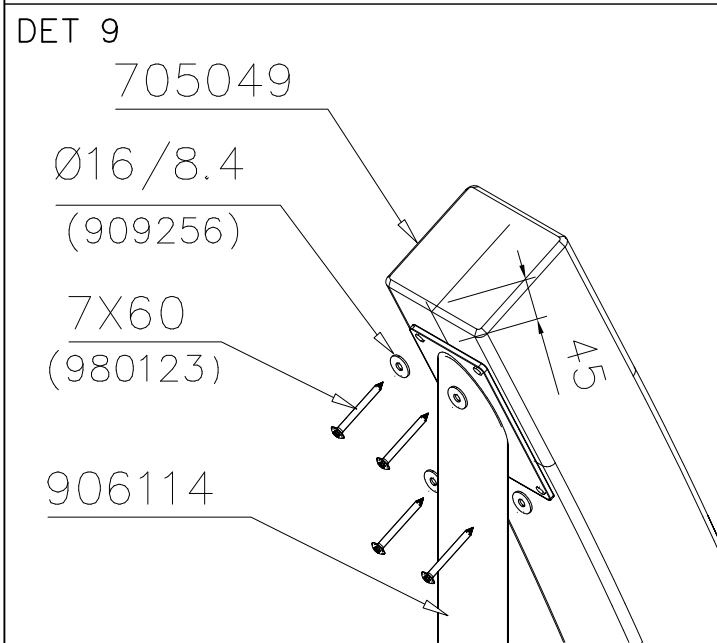
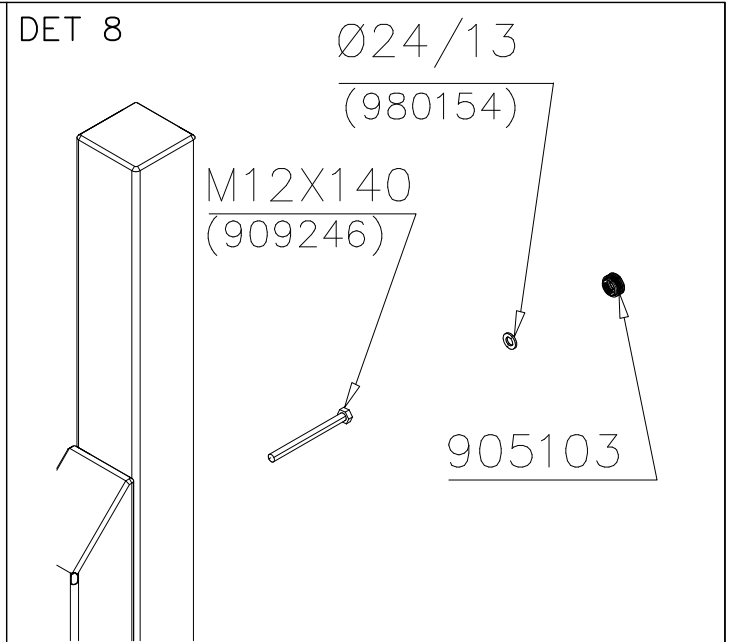
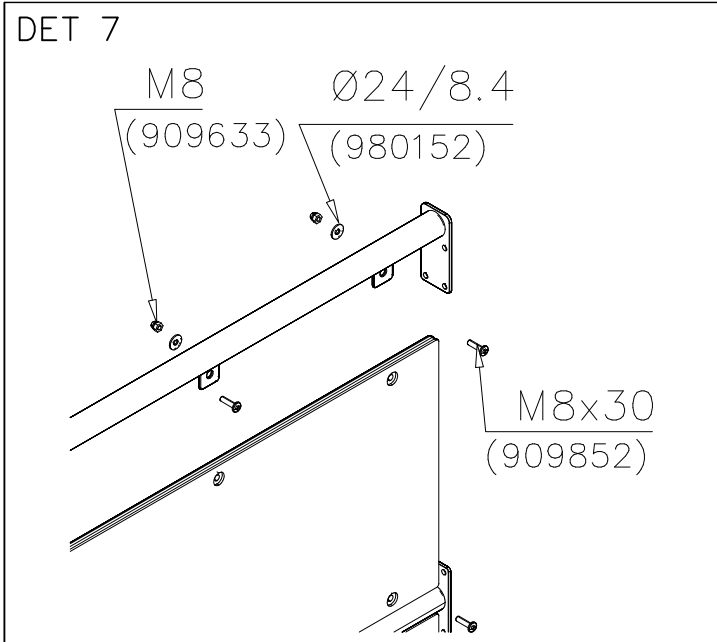


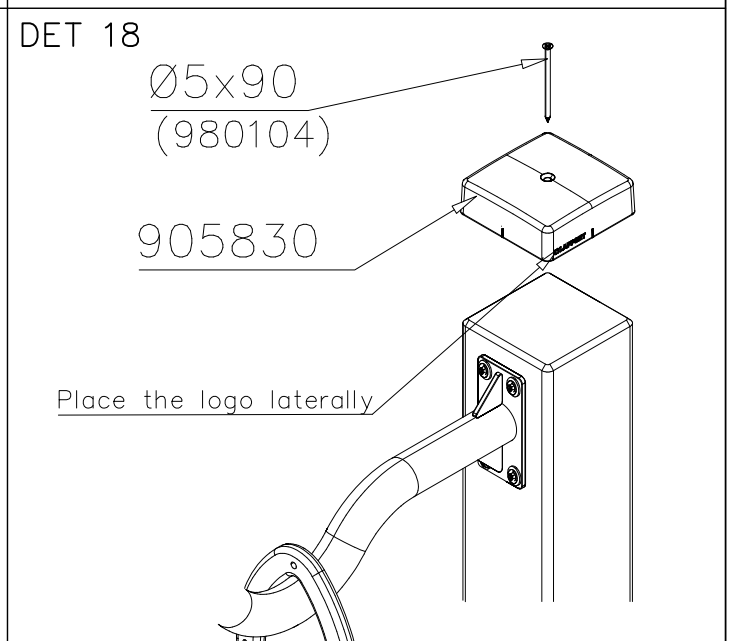
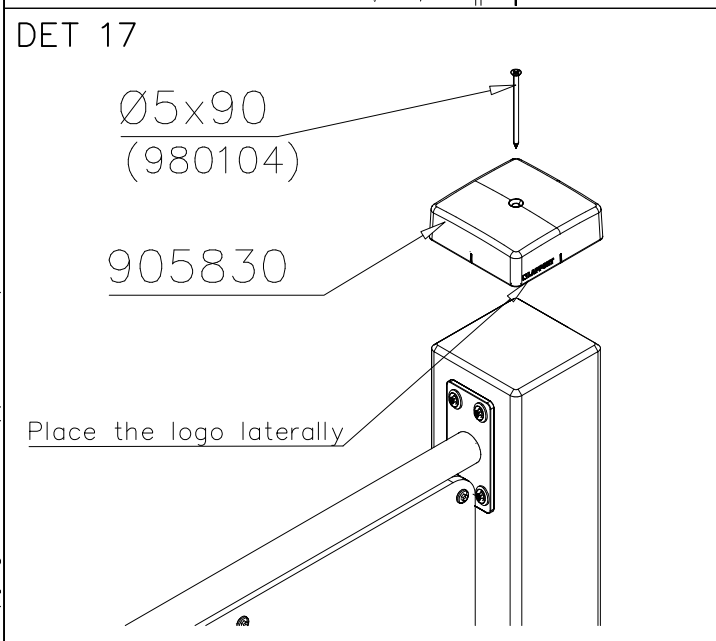
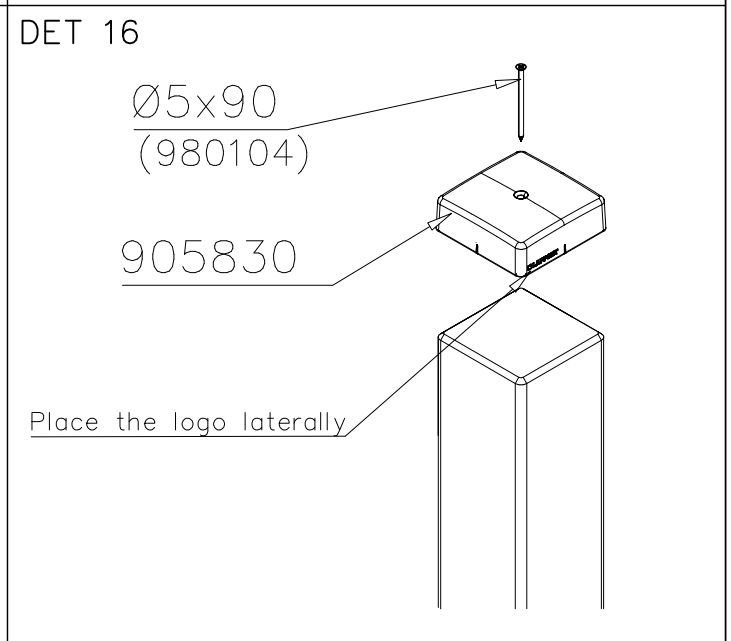
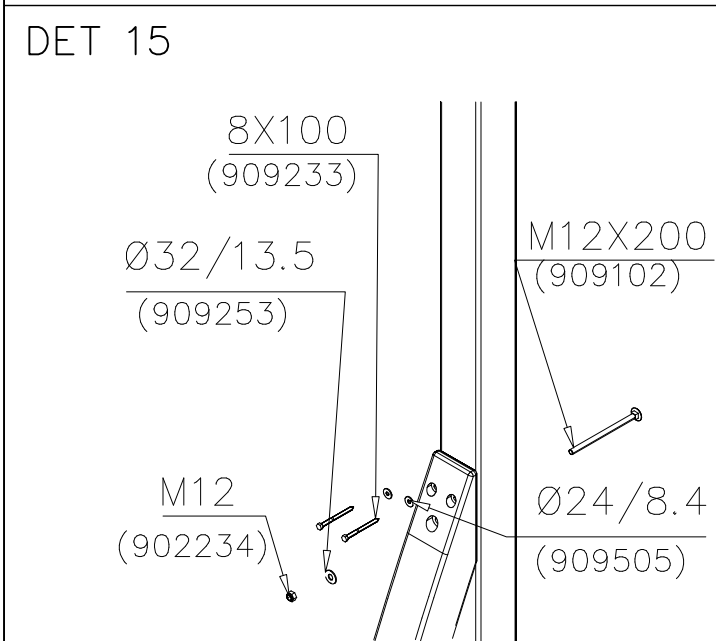
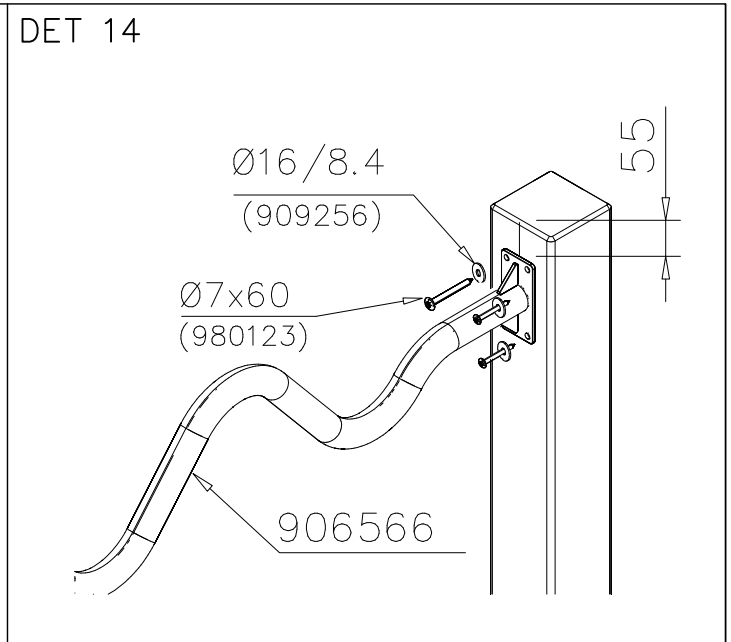
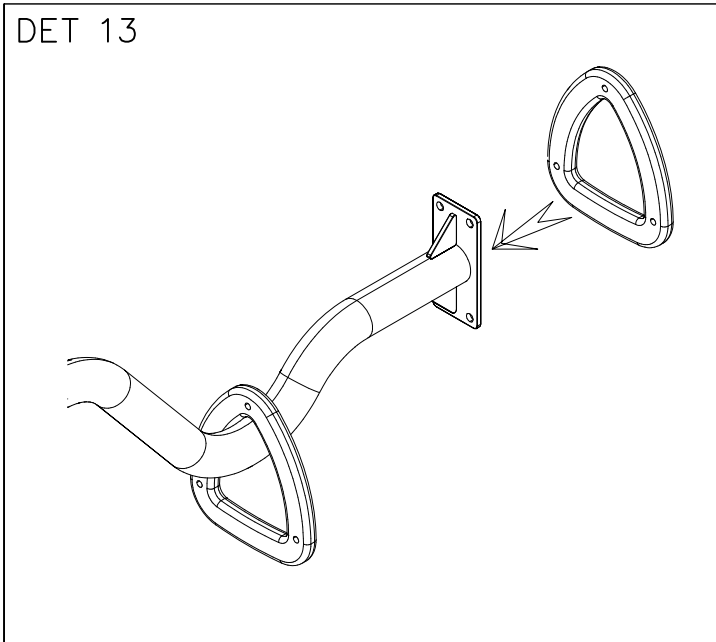
DET 5



DET 6

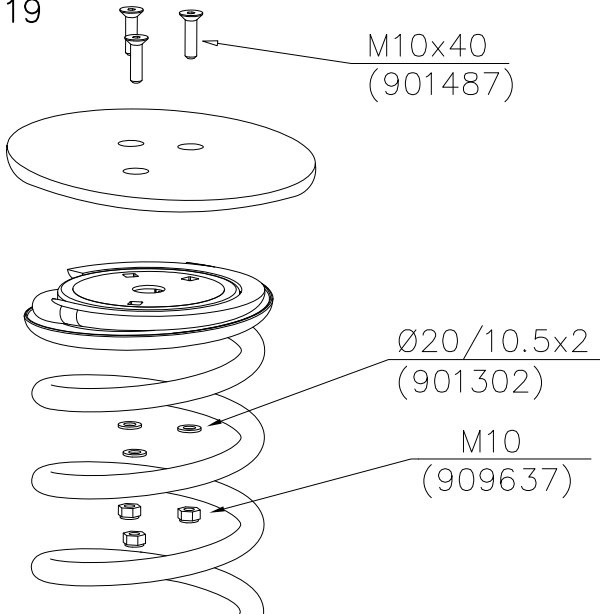




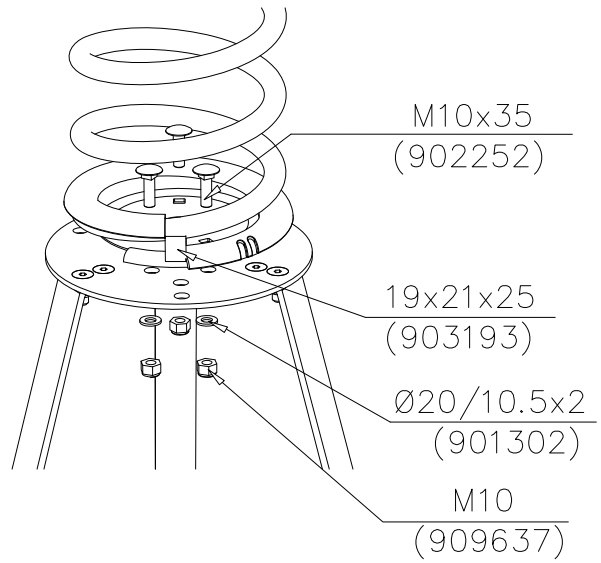




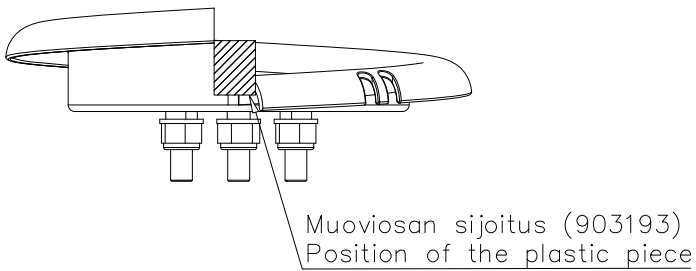
DET 19



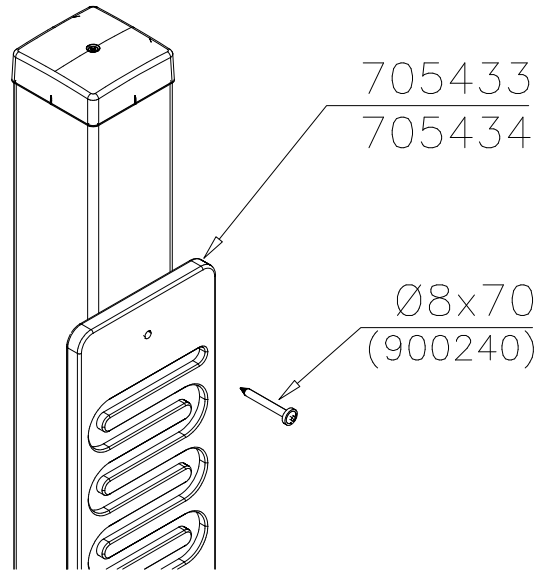
DET 20



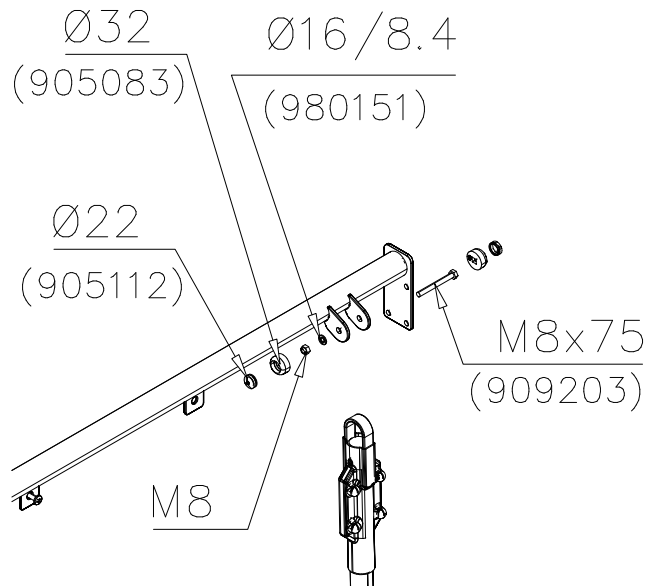
DET 21



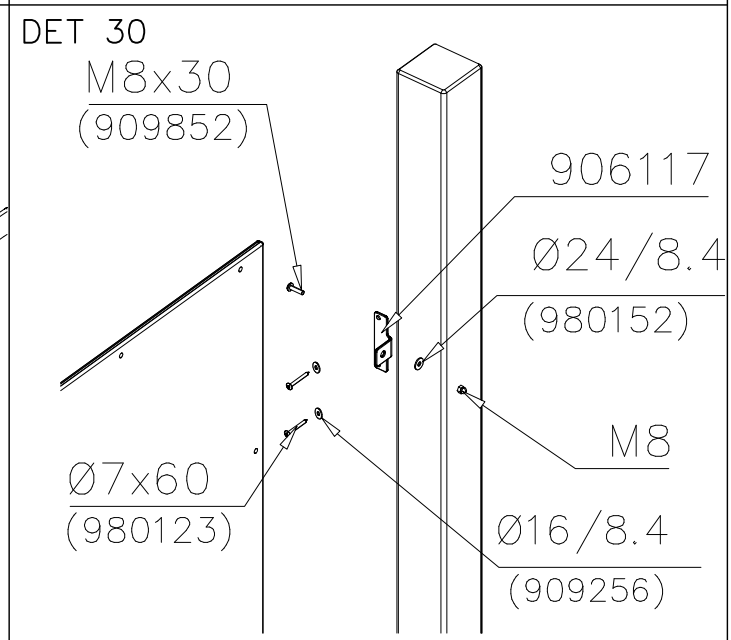
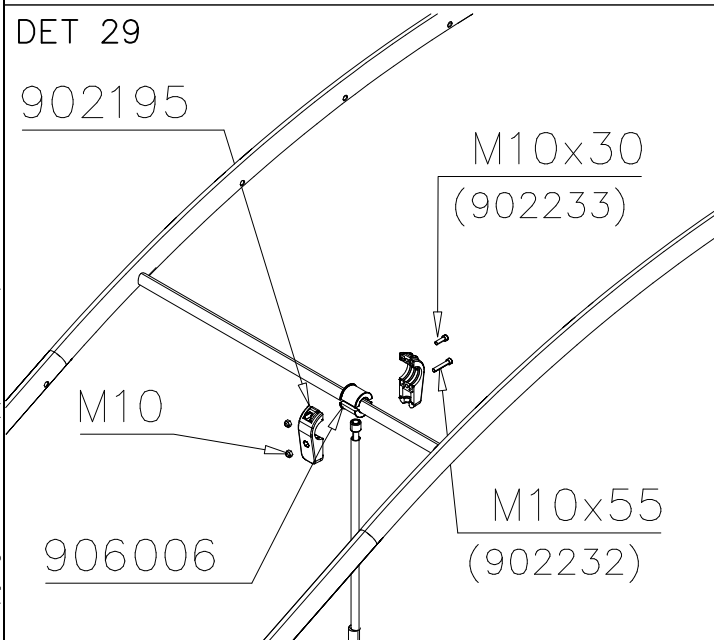
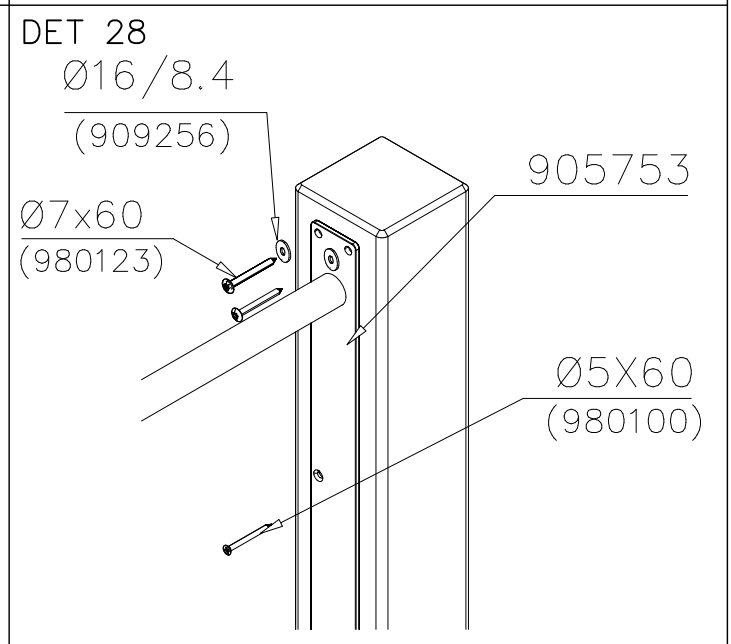
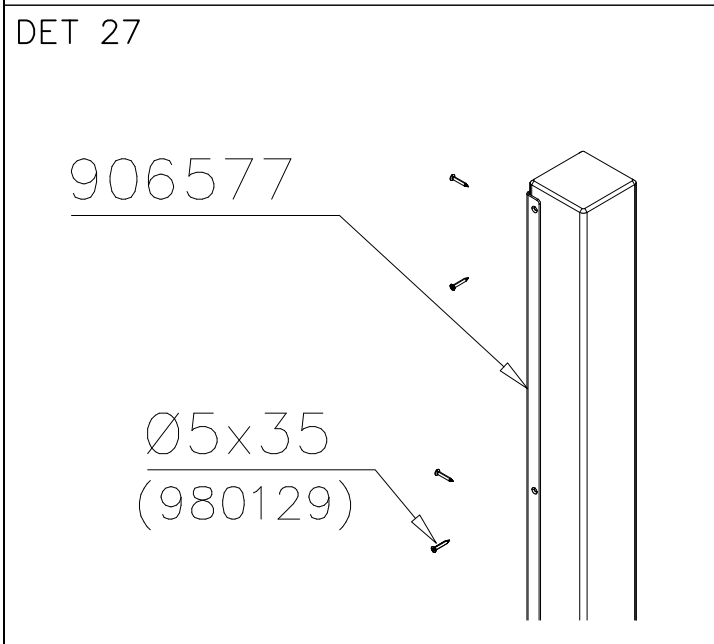
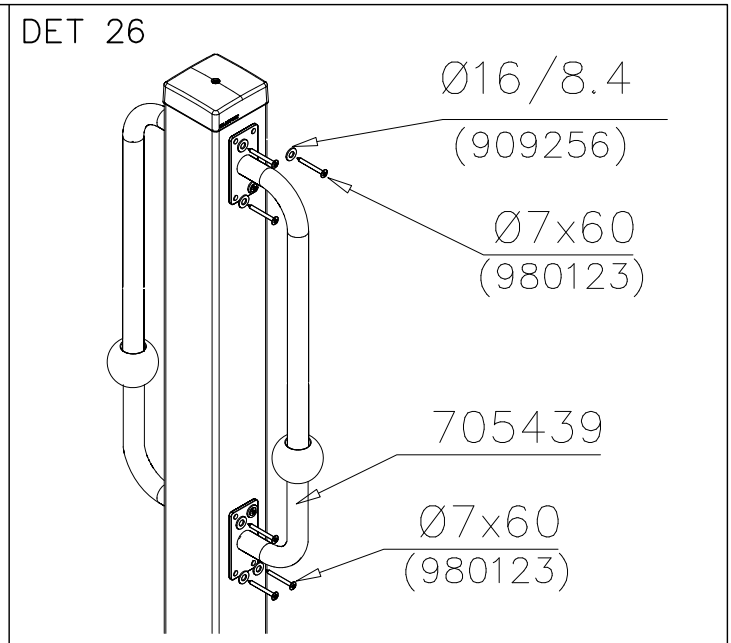
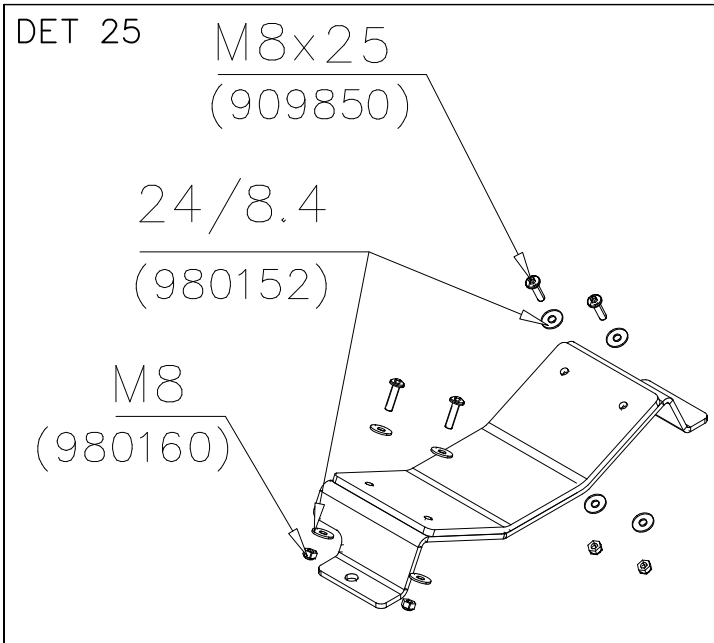
DET 22



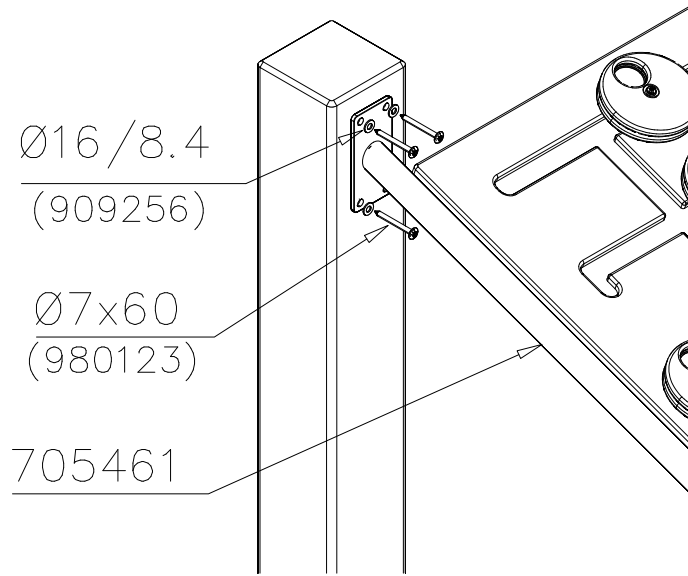
DET 23



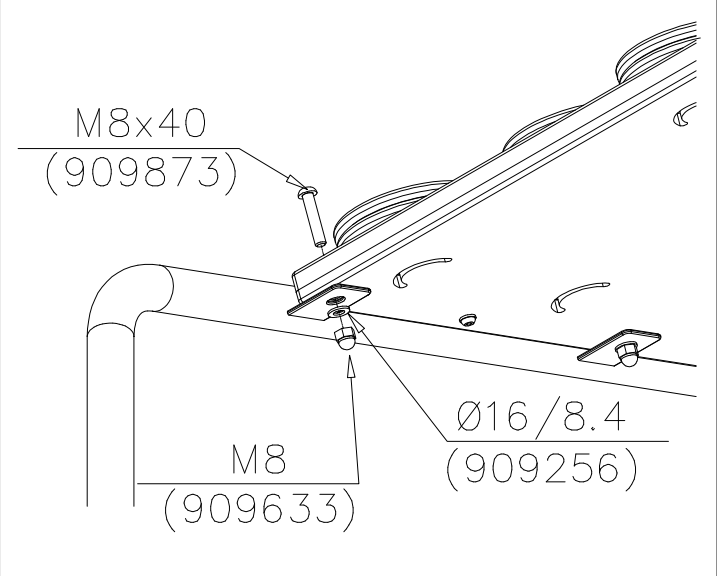
DET 24



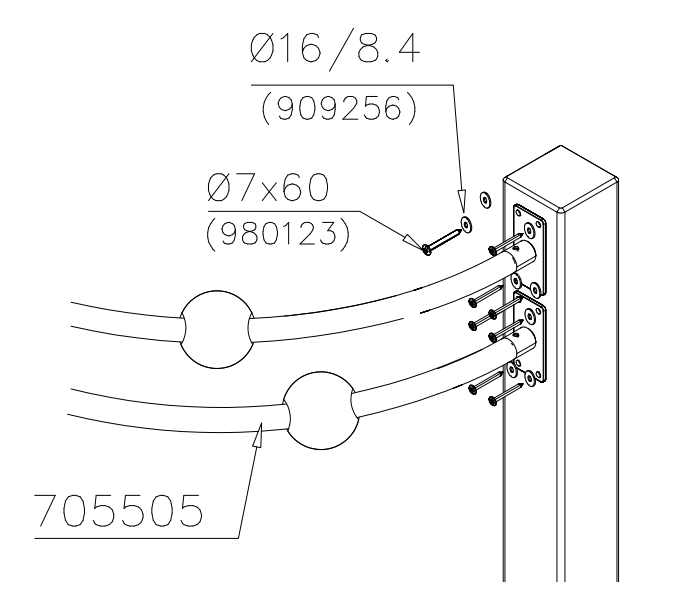
DET 31



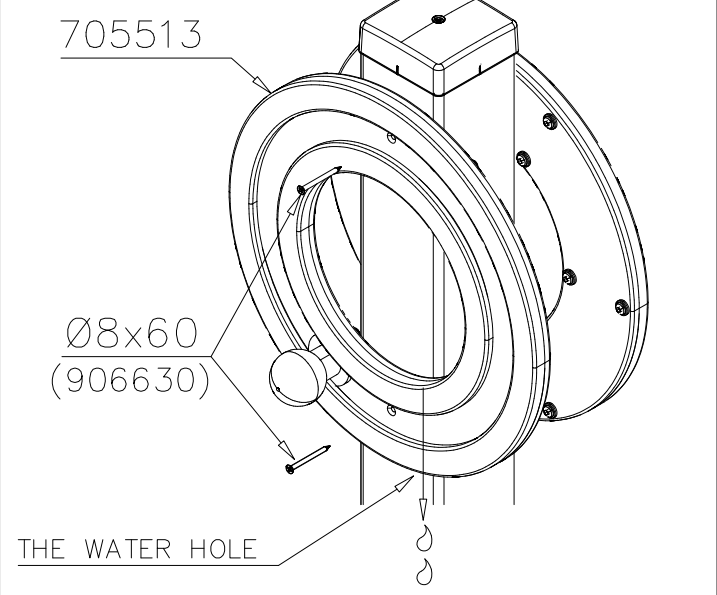
DET 32



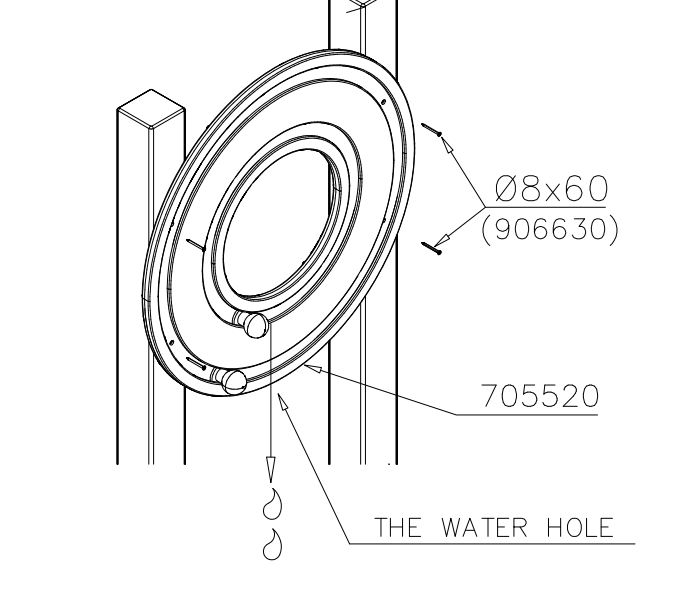
DET 33



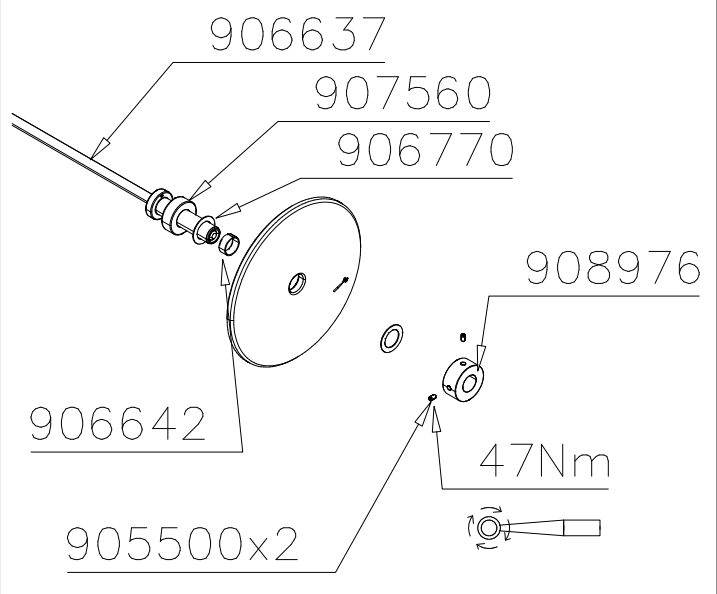
DET 34



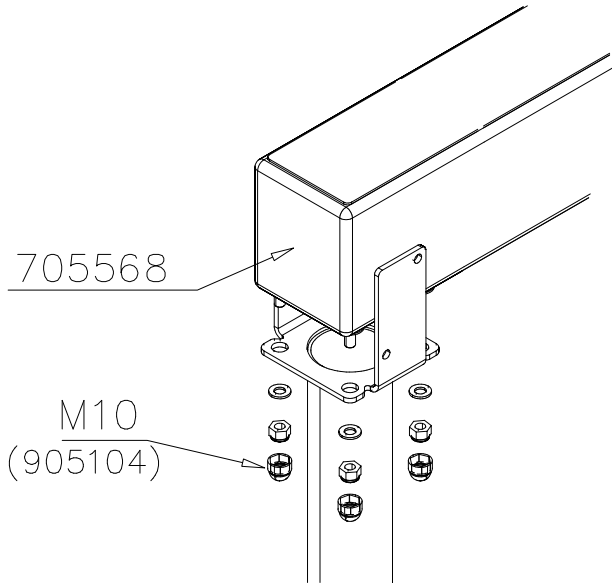
DET 35



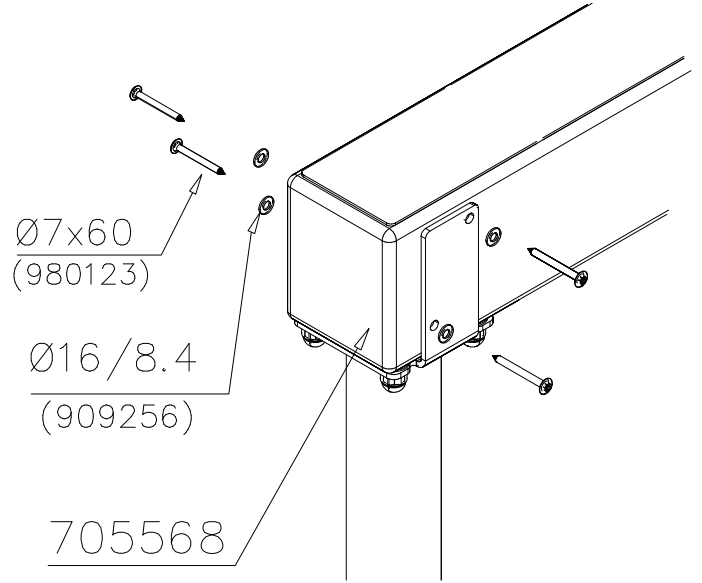
DET 36



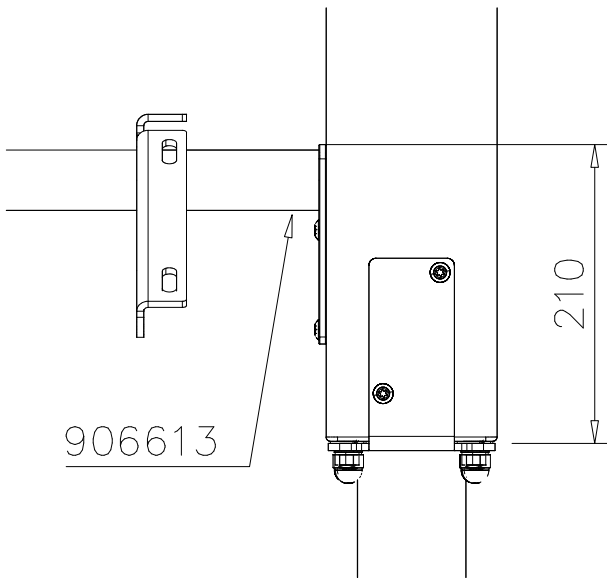
DET 37



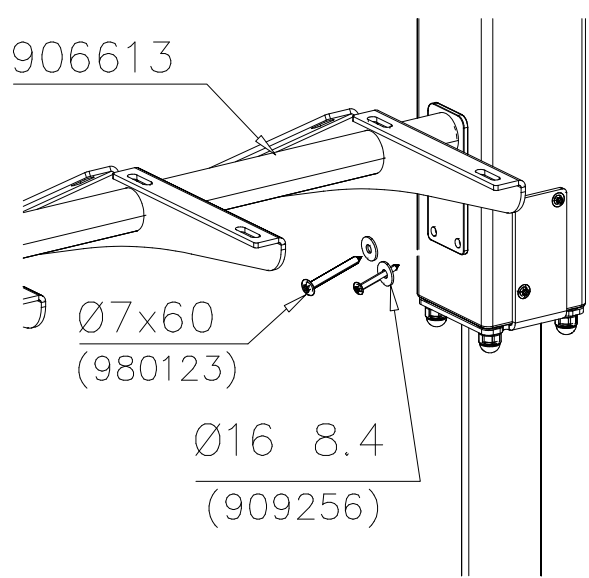
DET 38



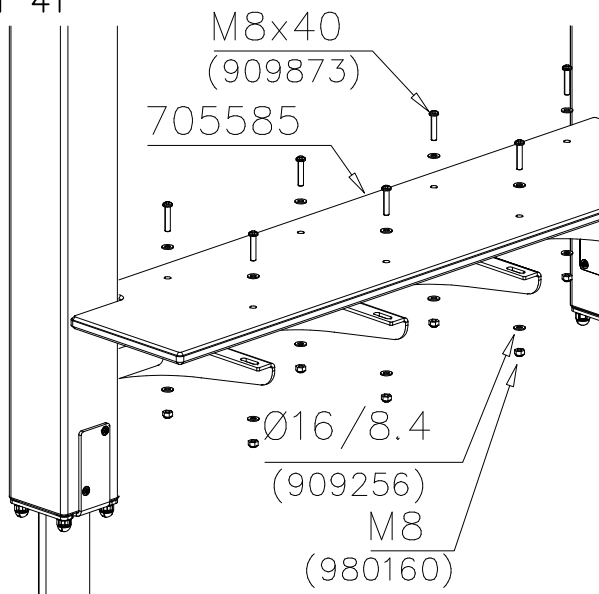
DET 39



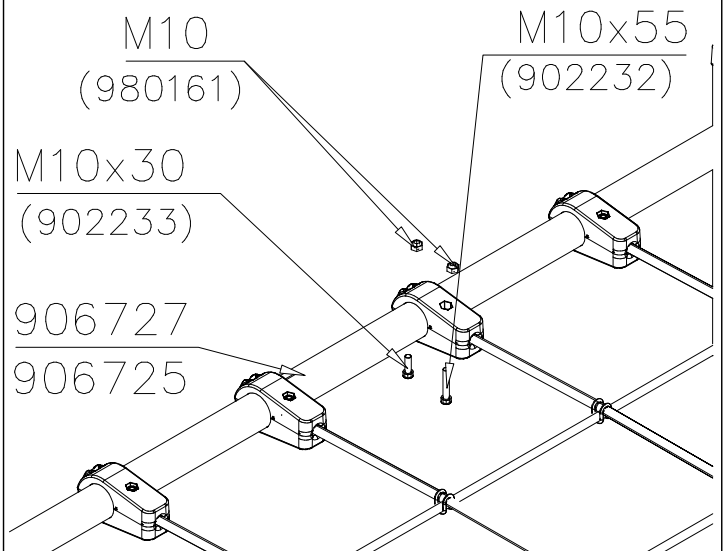
DET 40

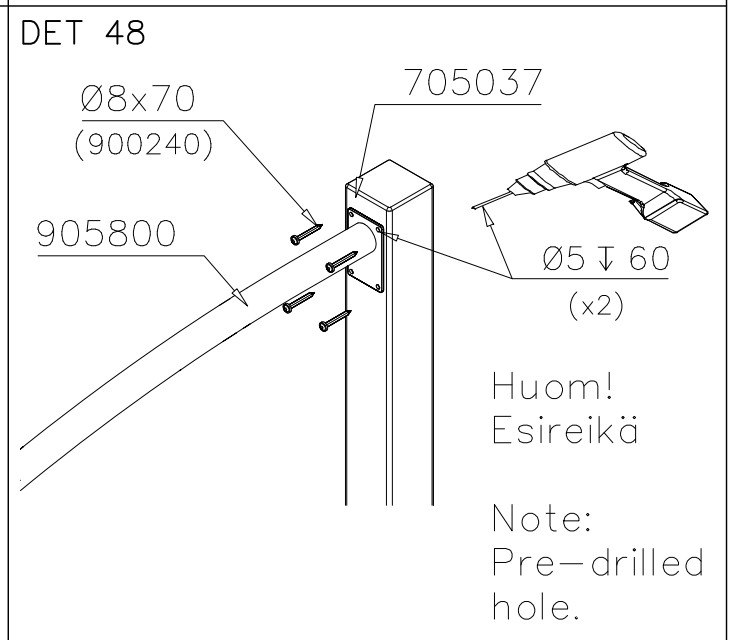
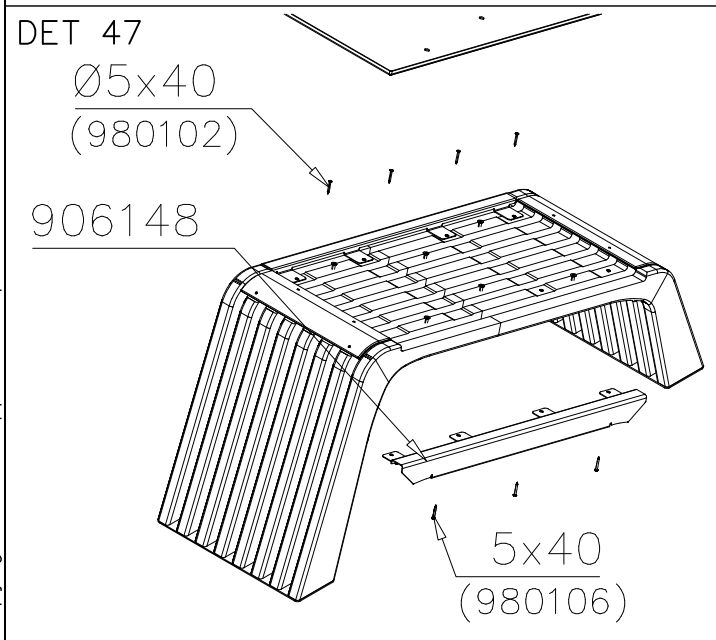
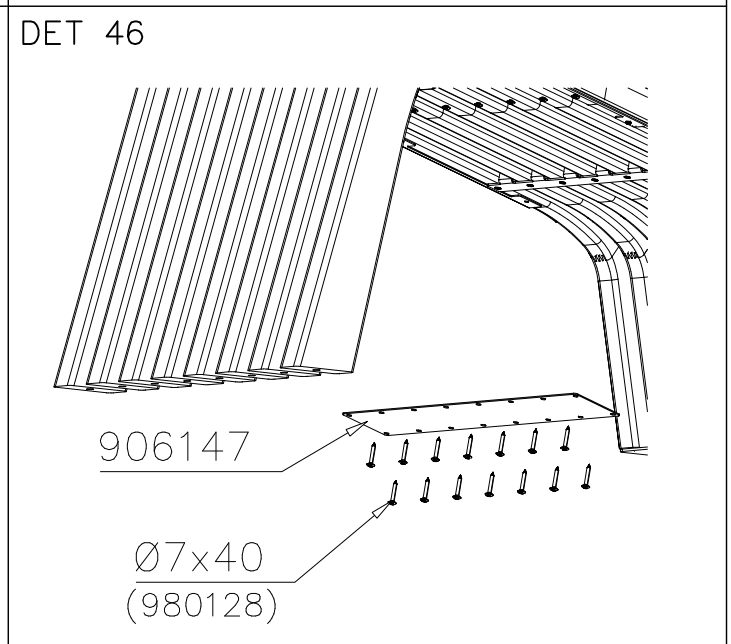
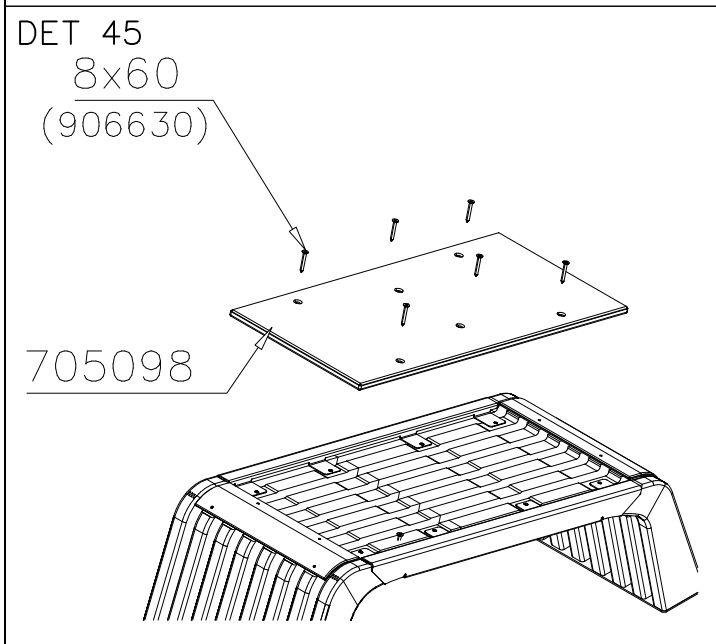
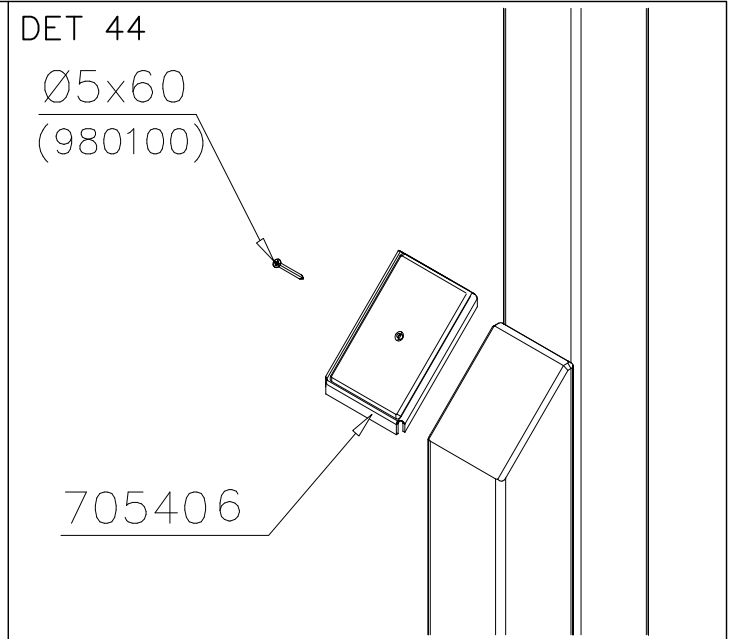
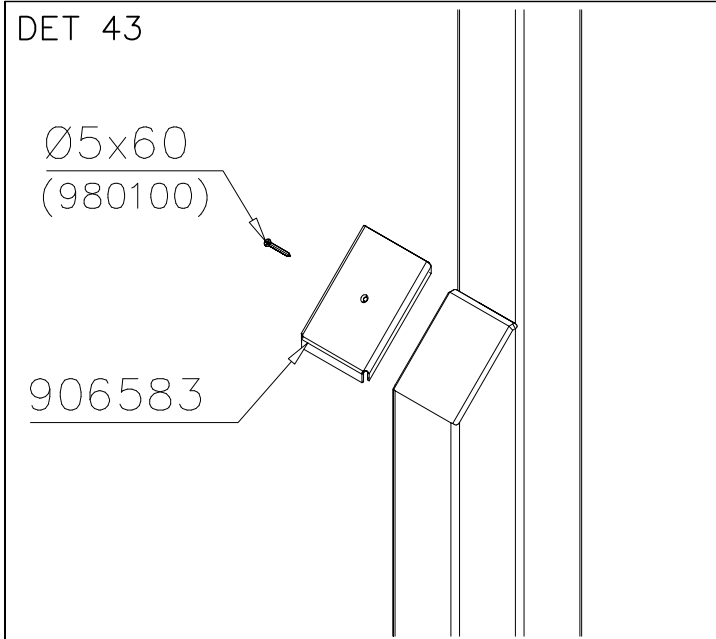


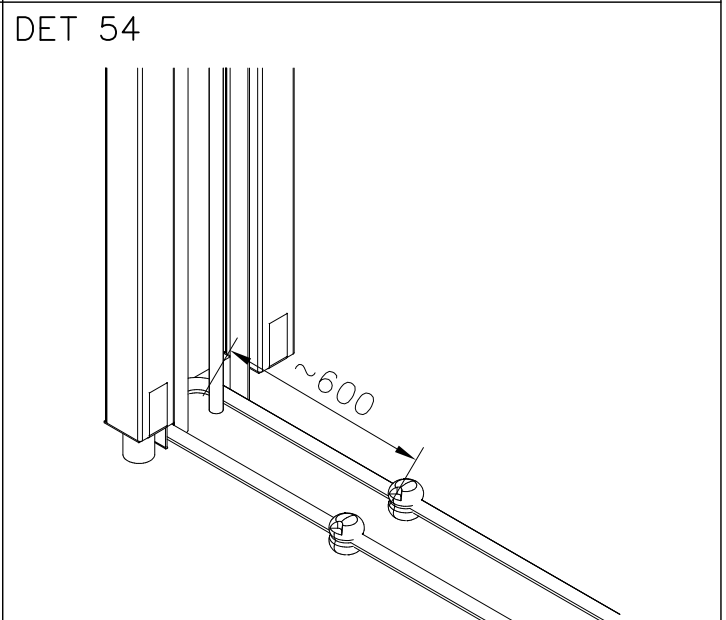
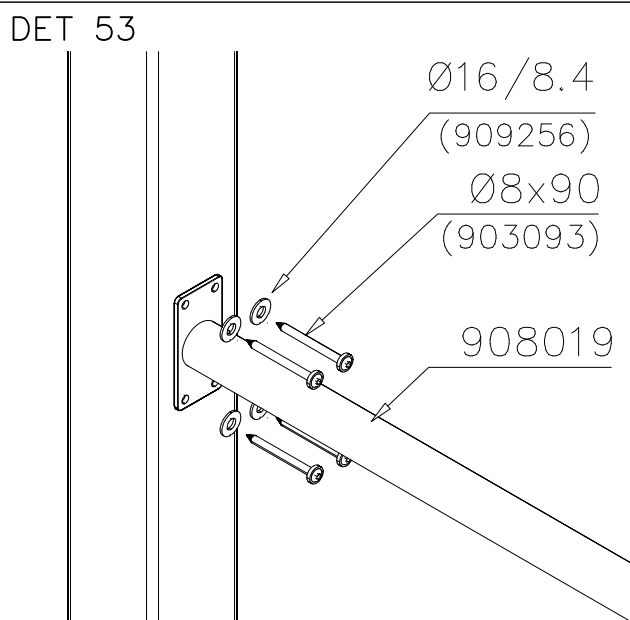
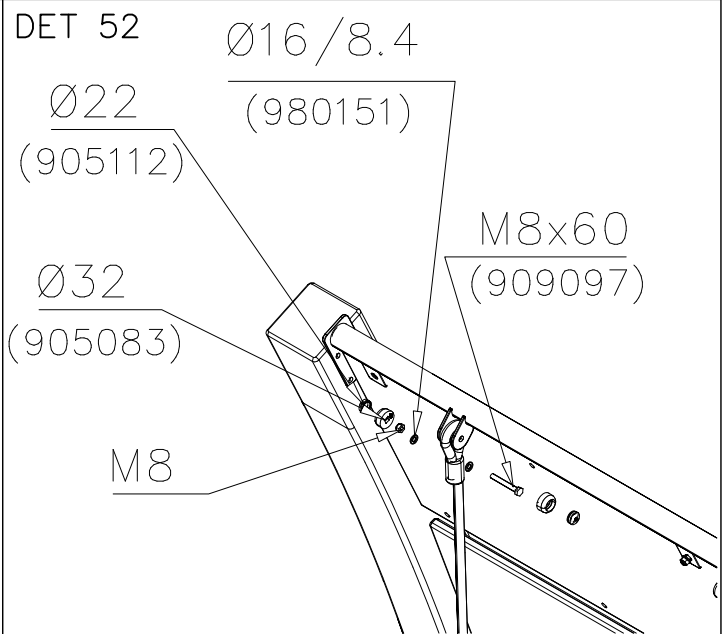
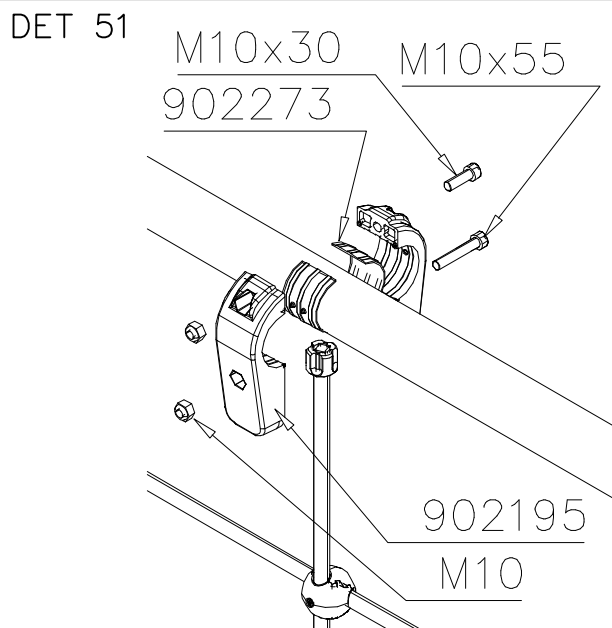
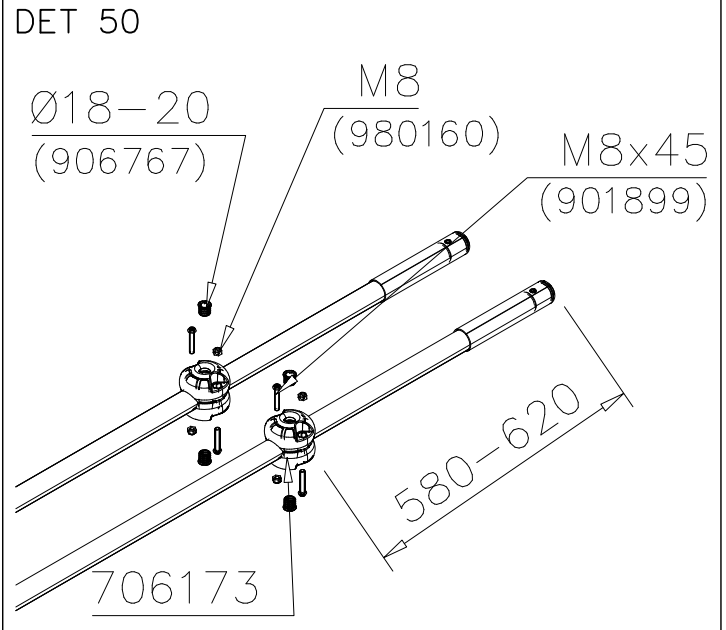
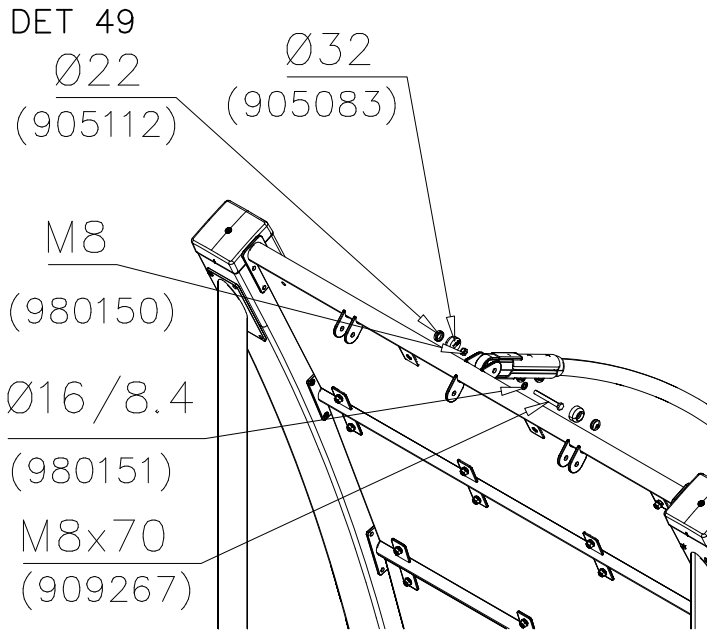
DET 41



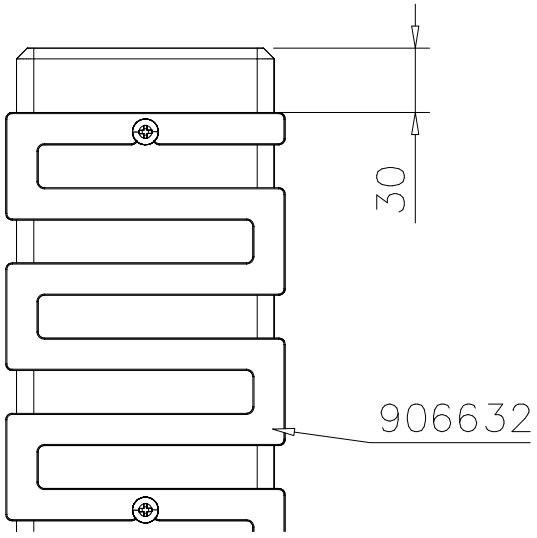
DET 42



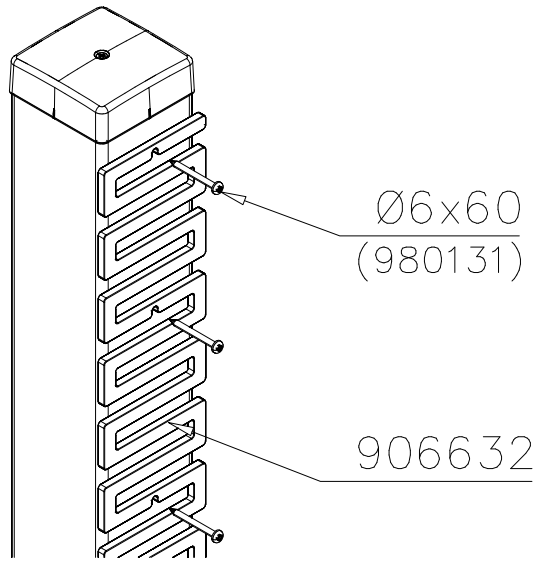




DET 55



DET 56



DET 57

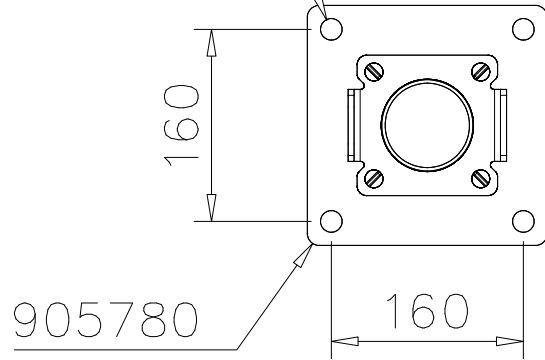
DET 58

DET 59

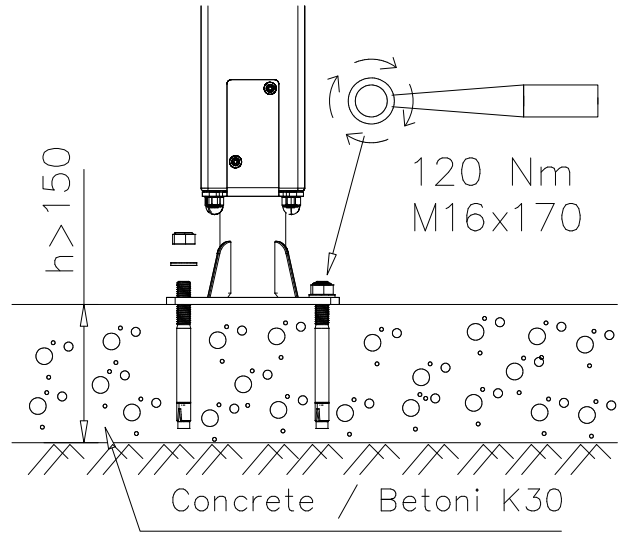
DET 60

DET 1

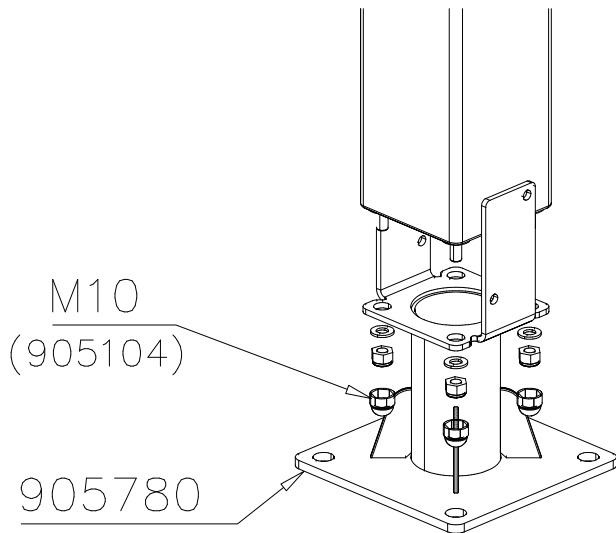
$\varnothing 16 \downarrow > 130$



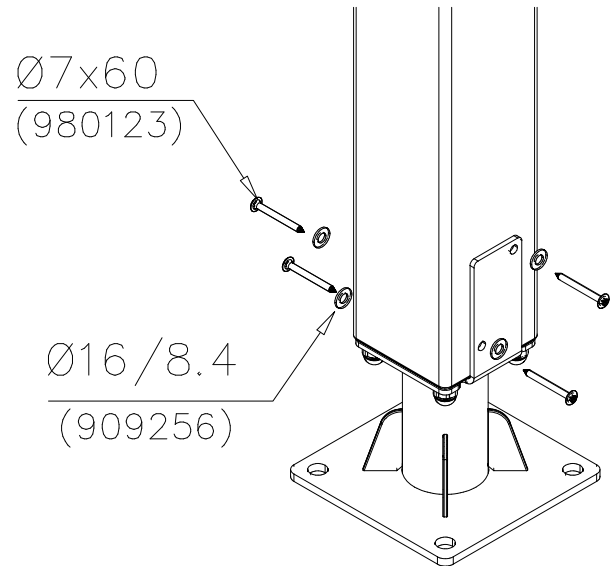
DET 2



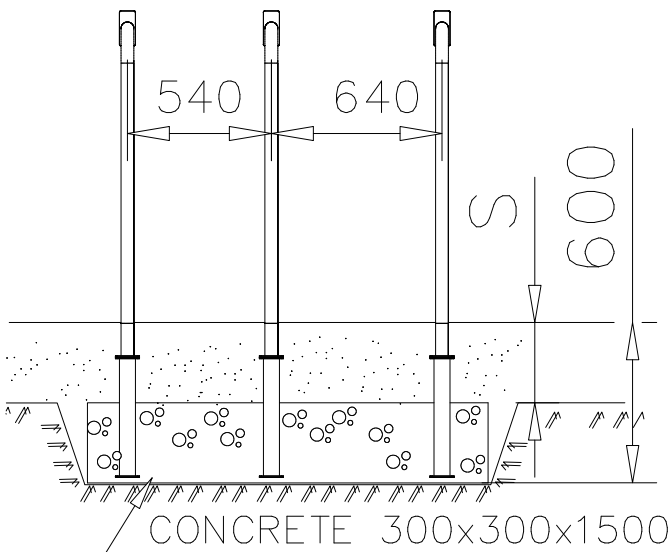
DET 3



DET 4

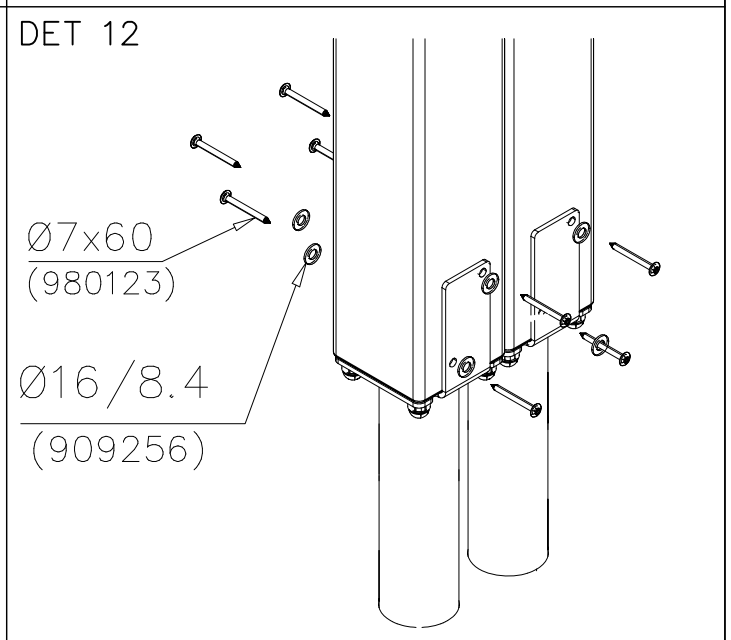
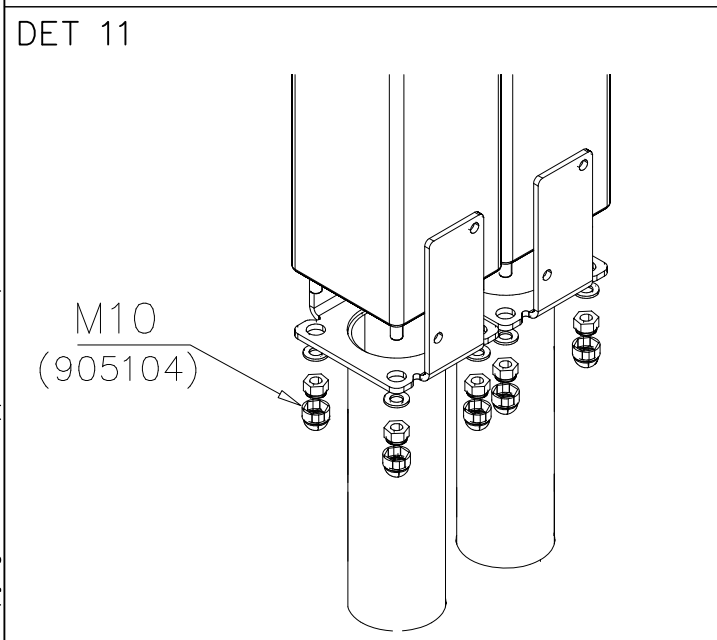
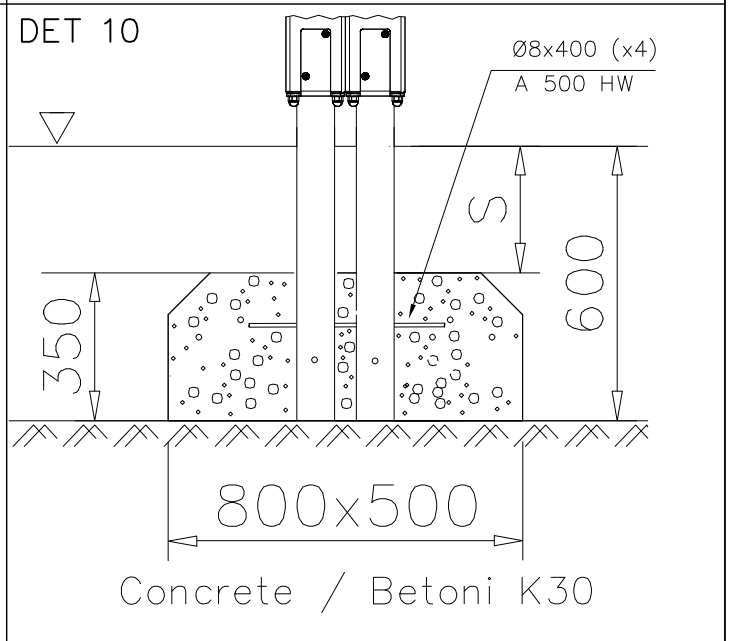
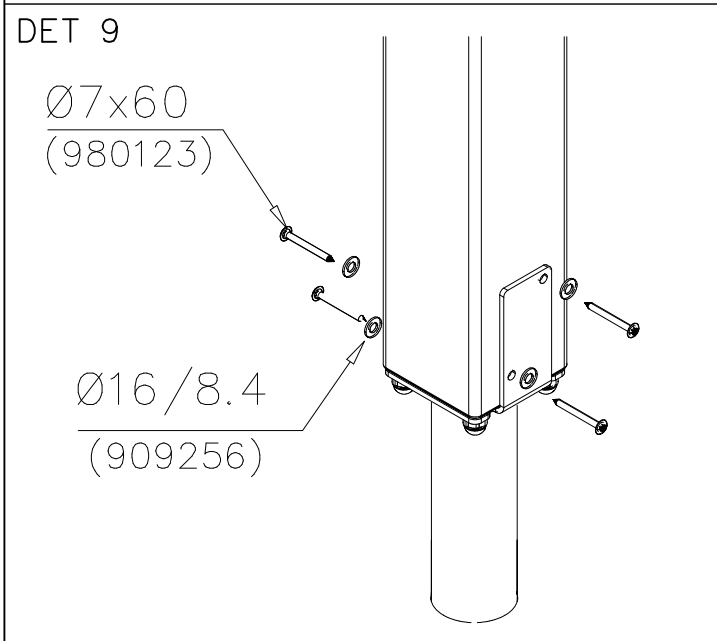
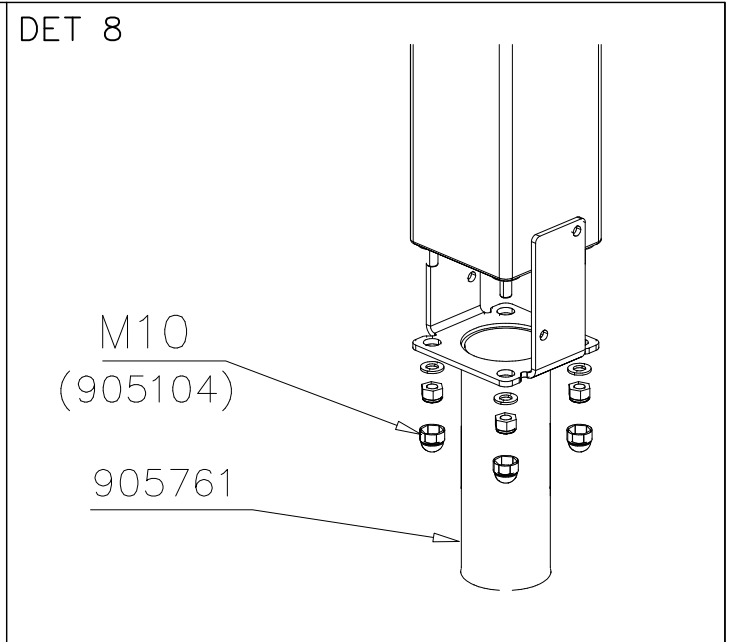
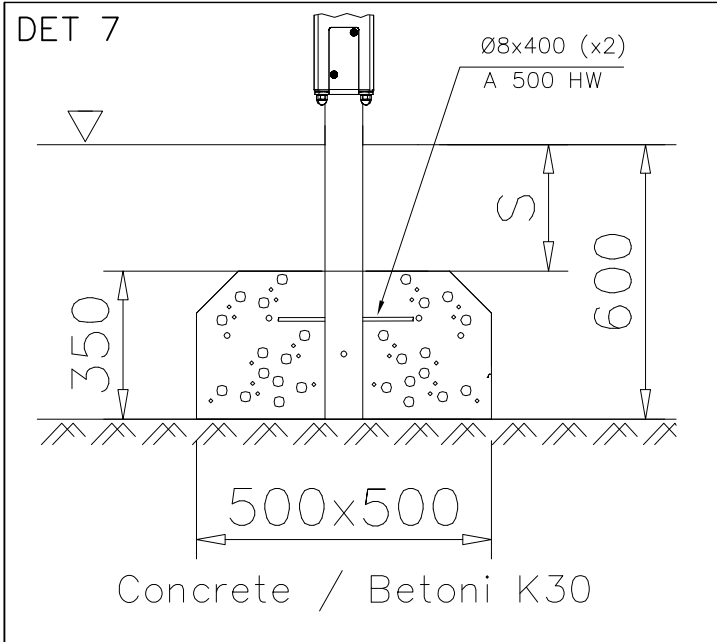


DET 5

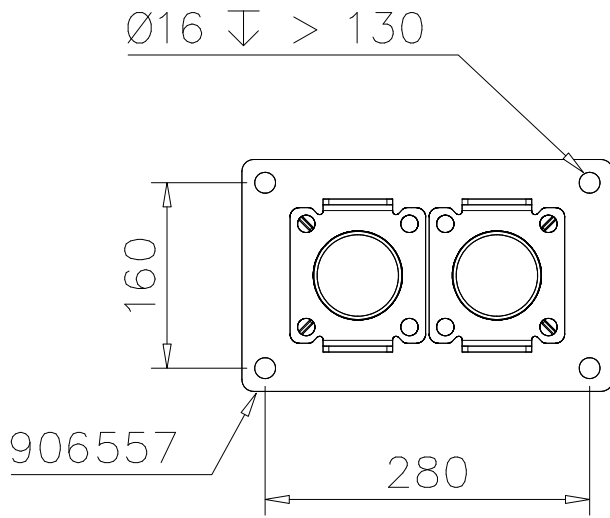


DET 6

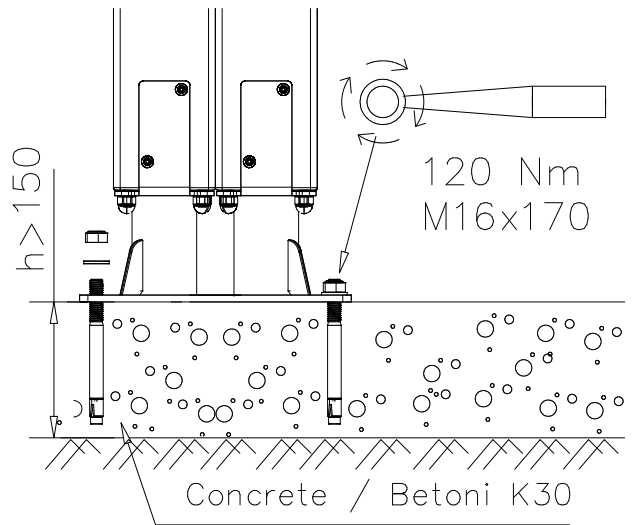




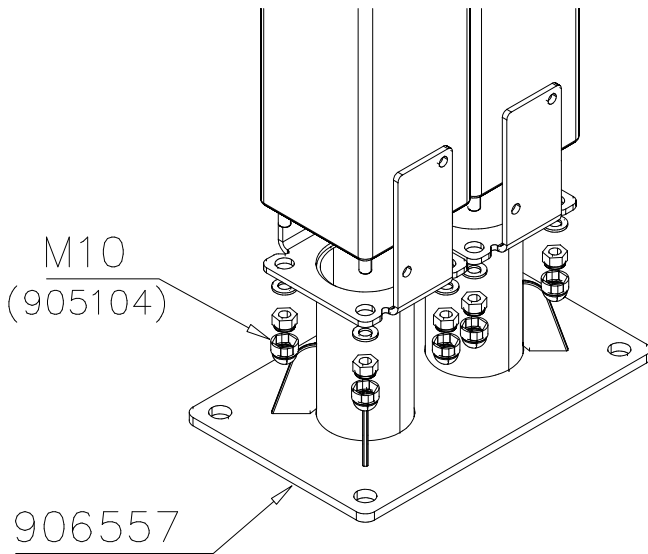
DET 13



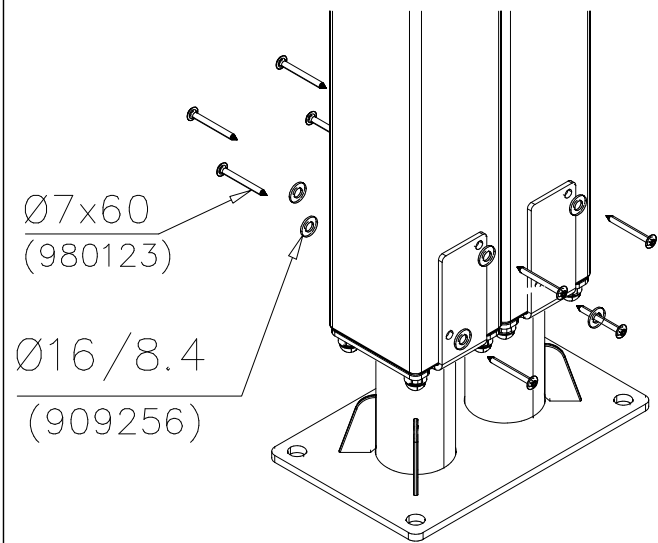
DET 14



DET 15

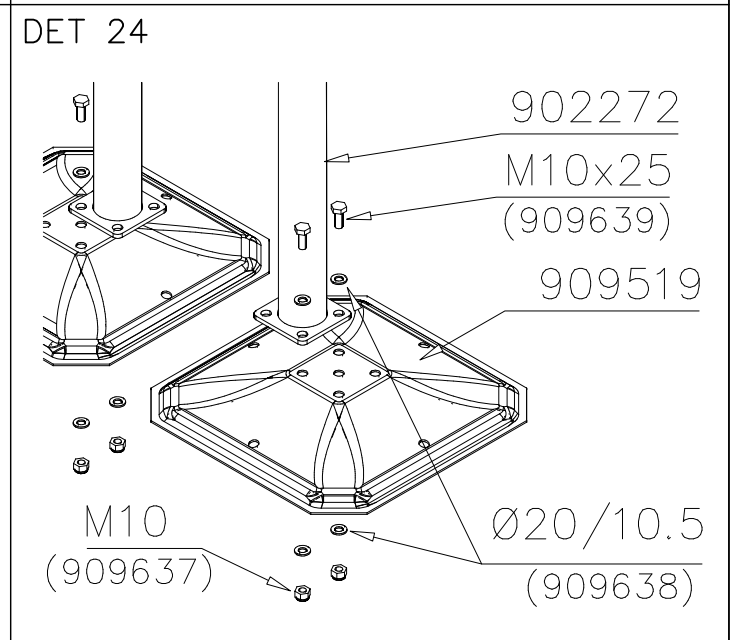
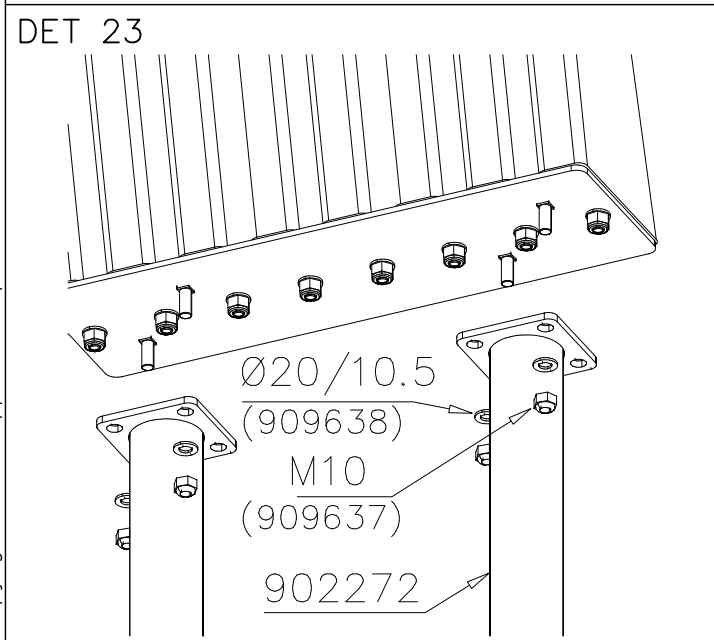
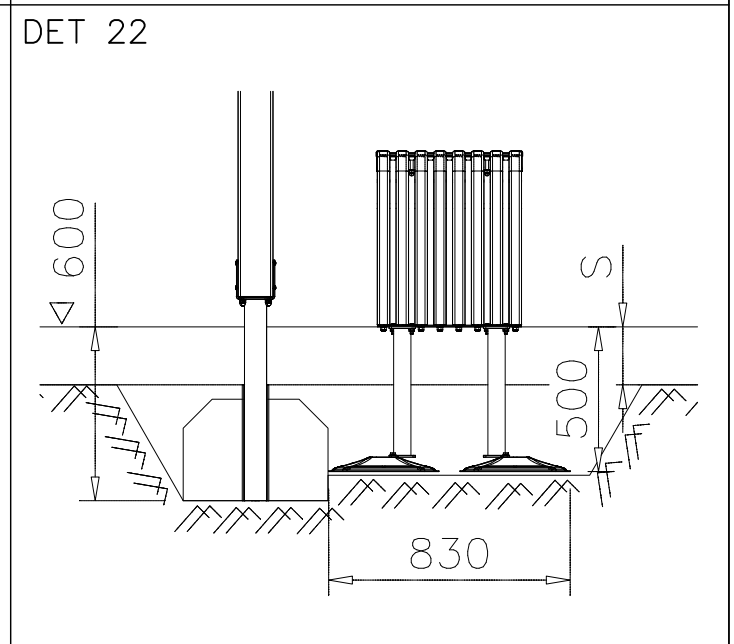
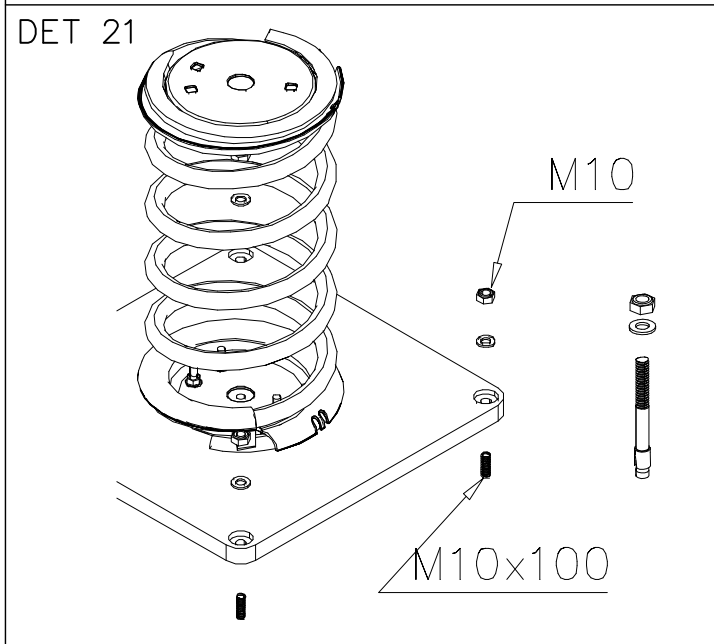
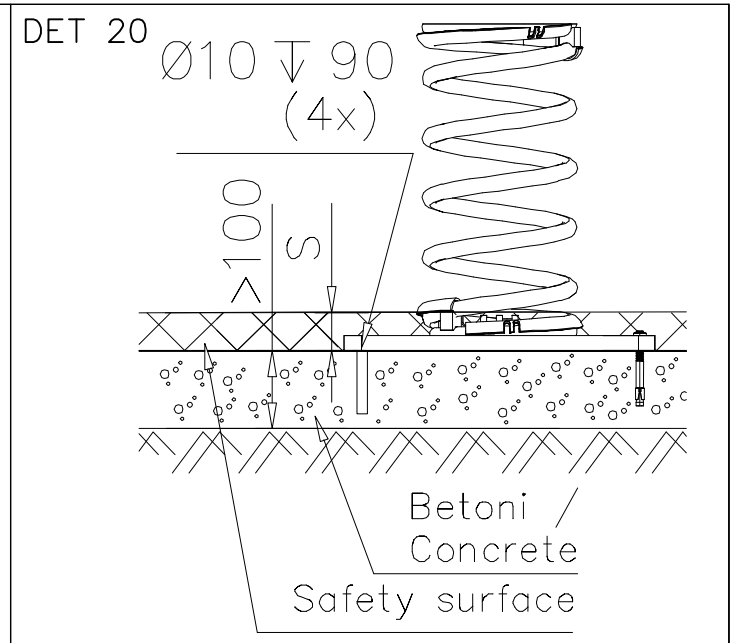
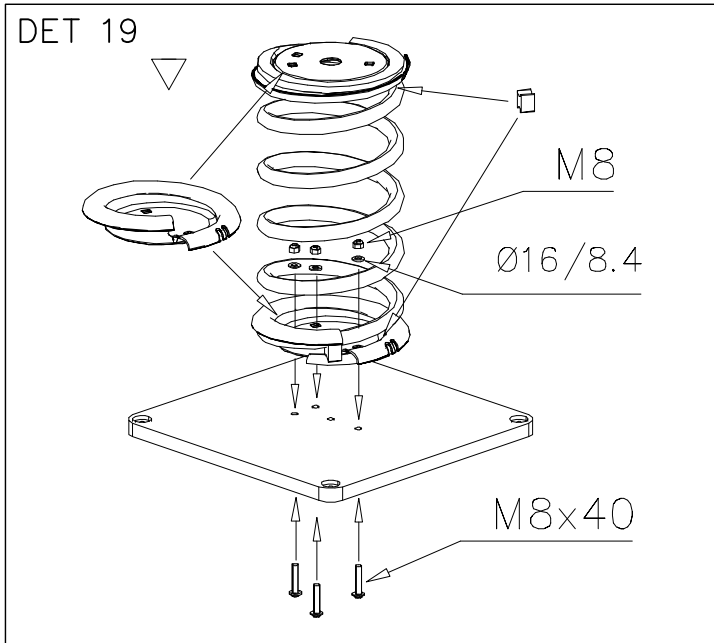


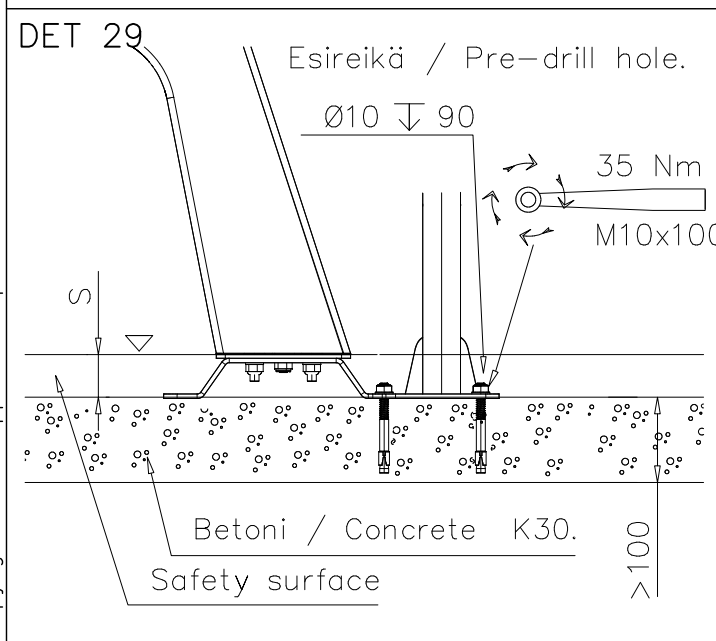
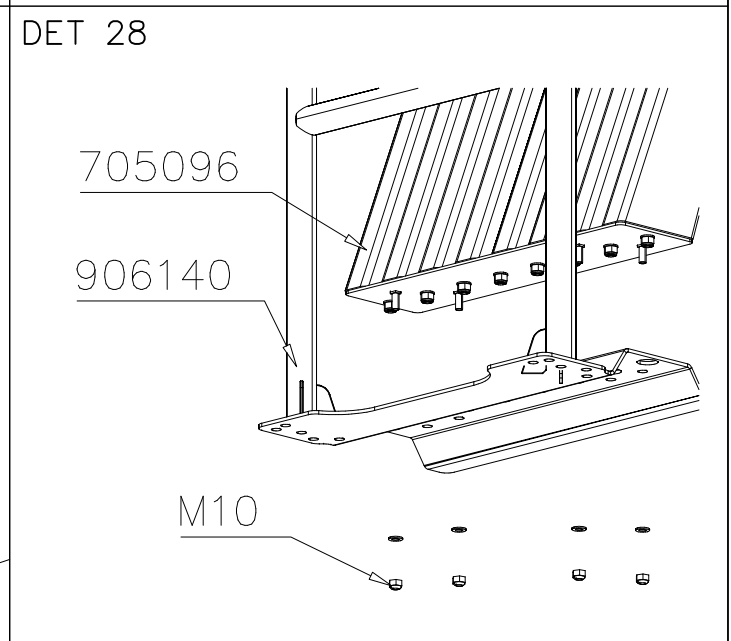
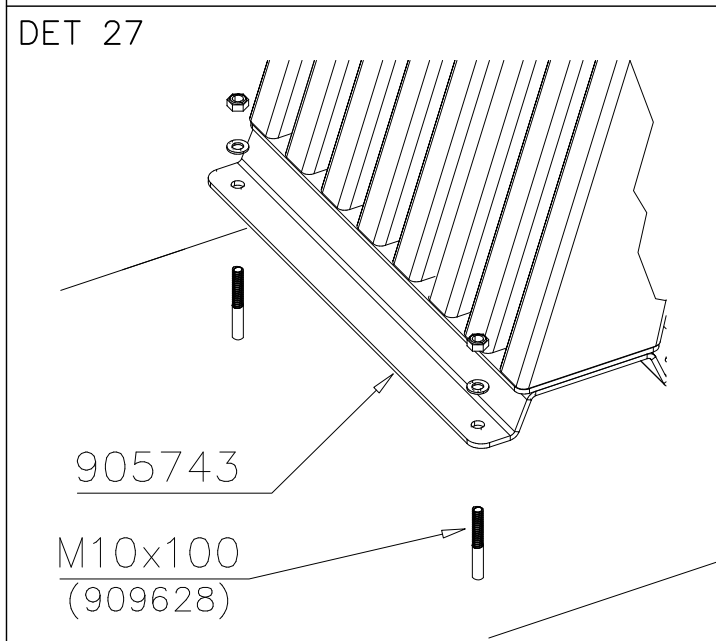
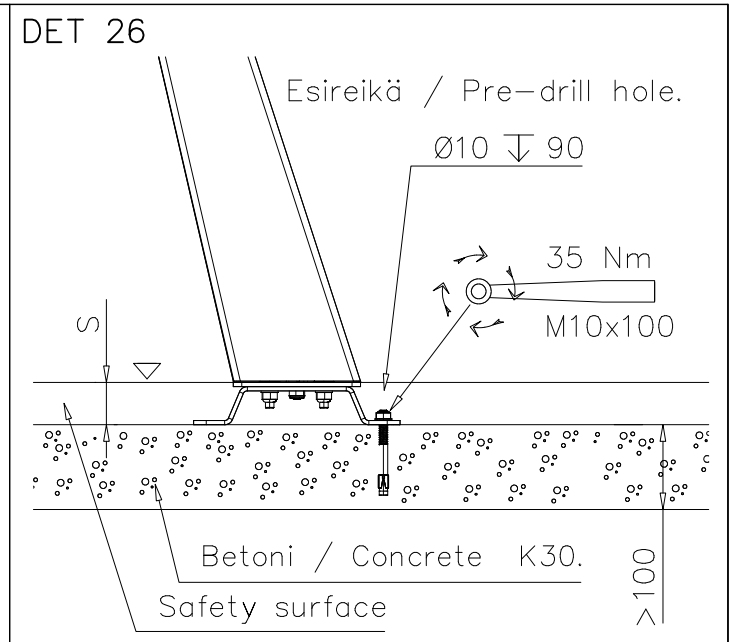
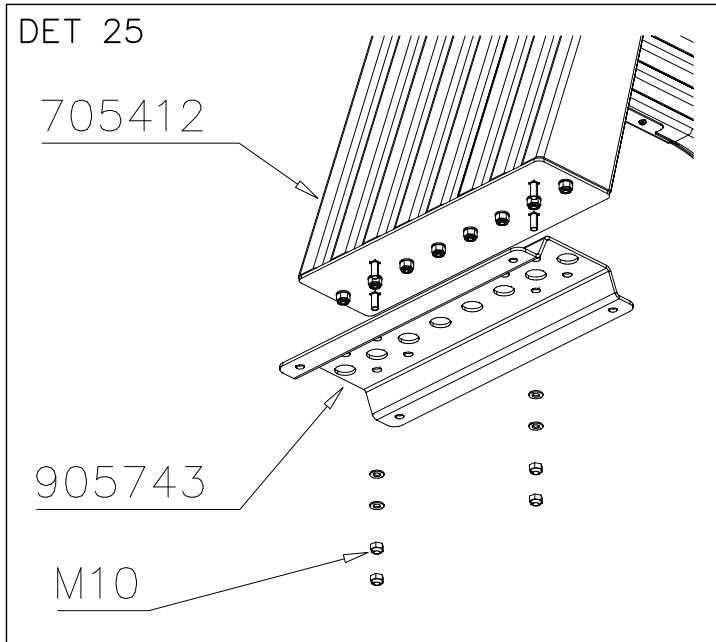
DET 16



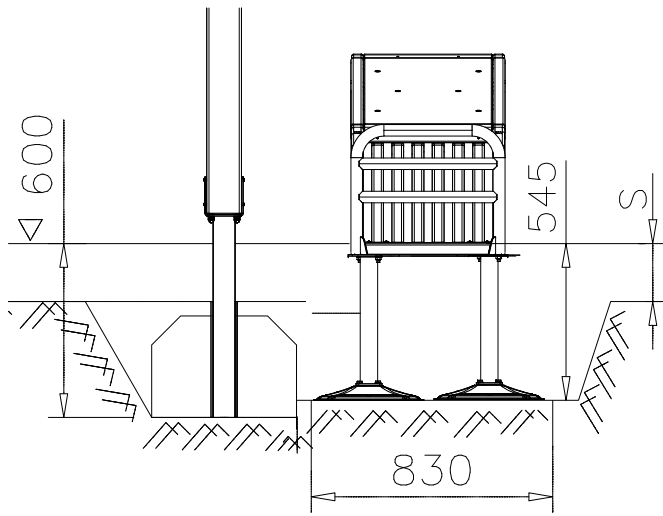
DET 17

DET 18

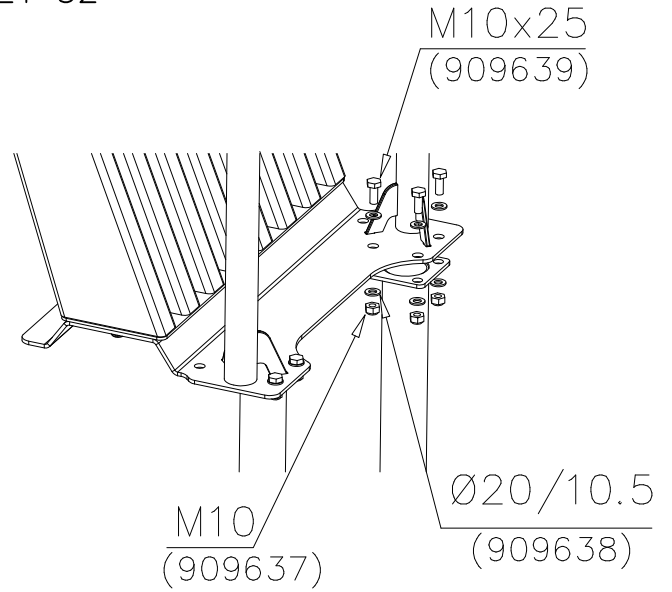




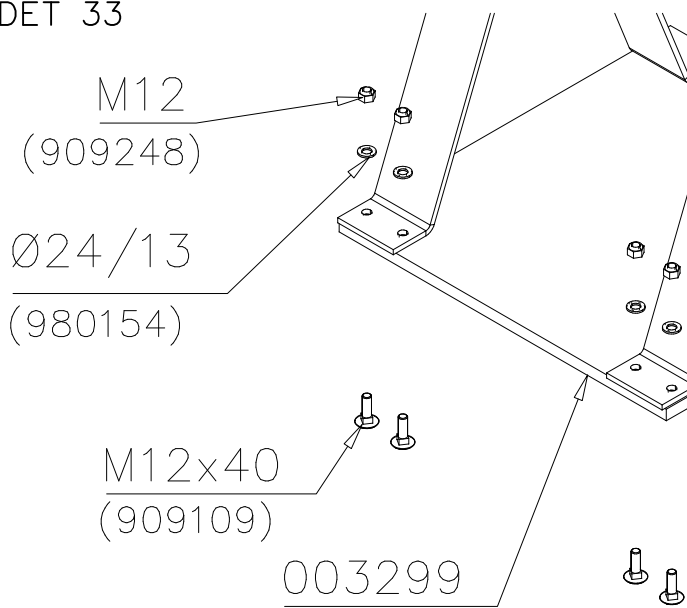
DET 31



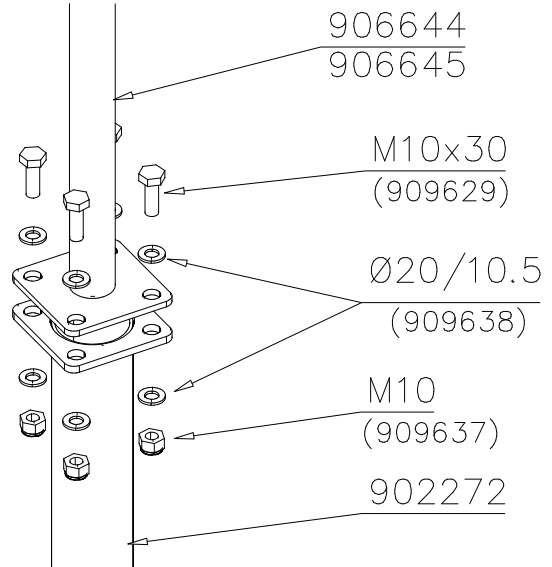
DET 32



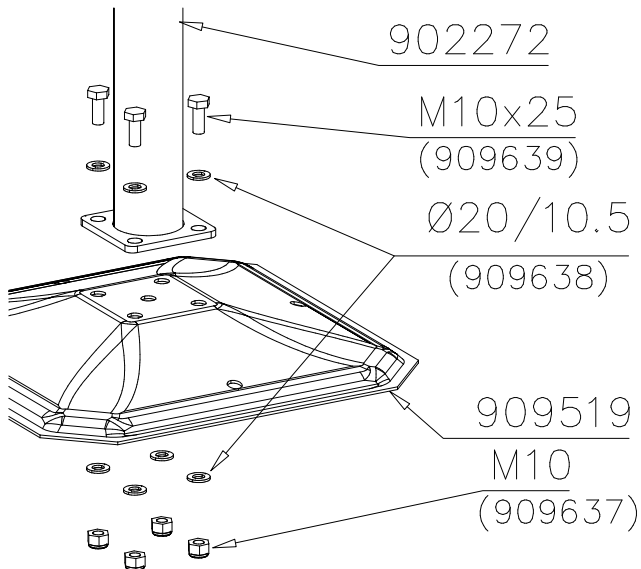
DET 33



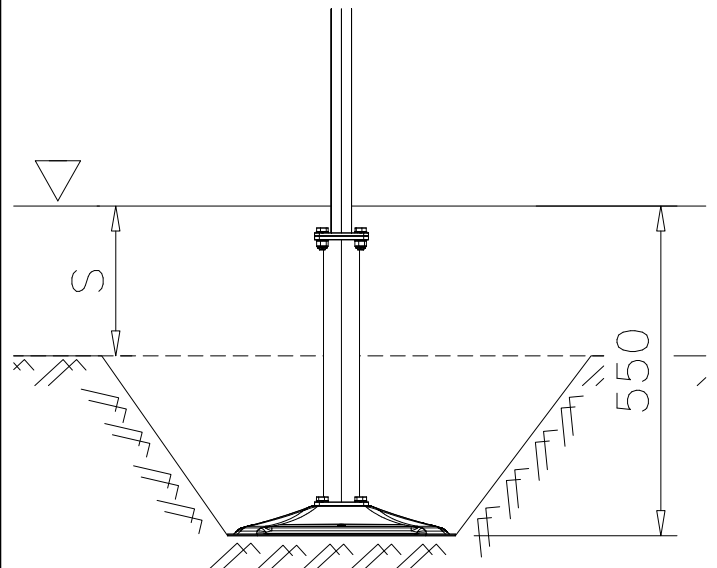
DET 34



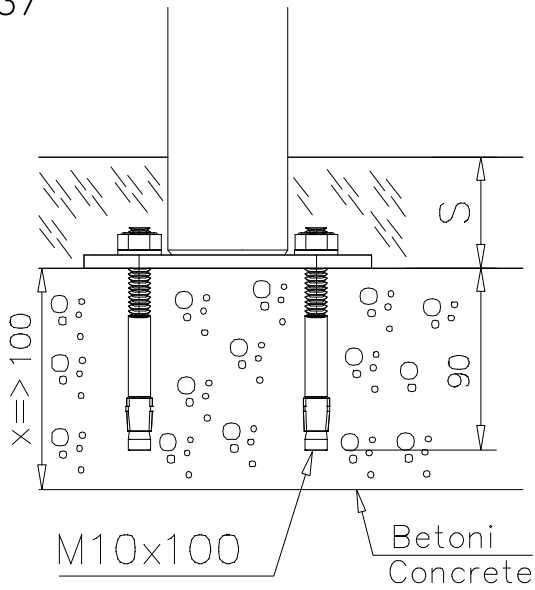
DET 35



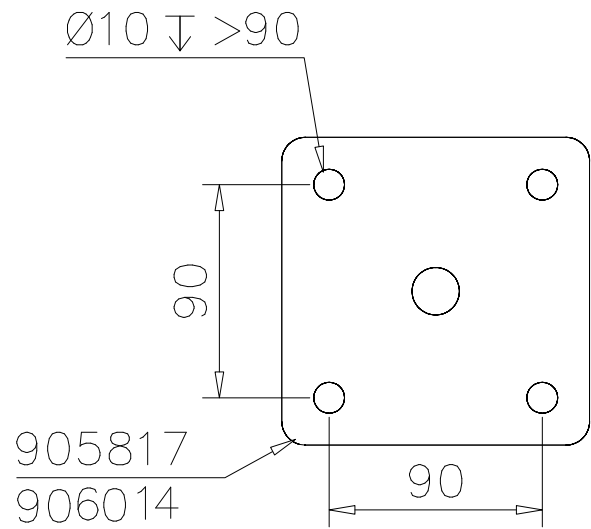
DET 36



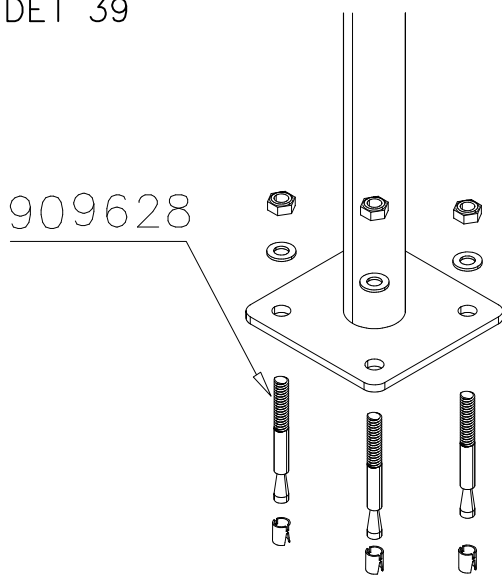
DET 37



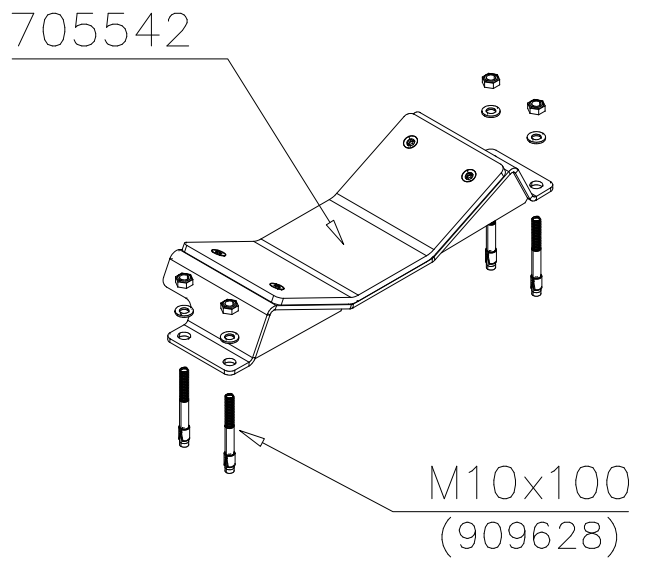
DET 38



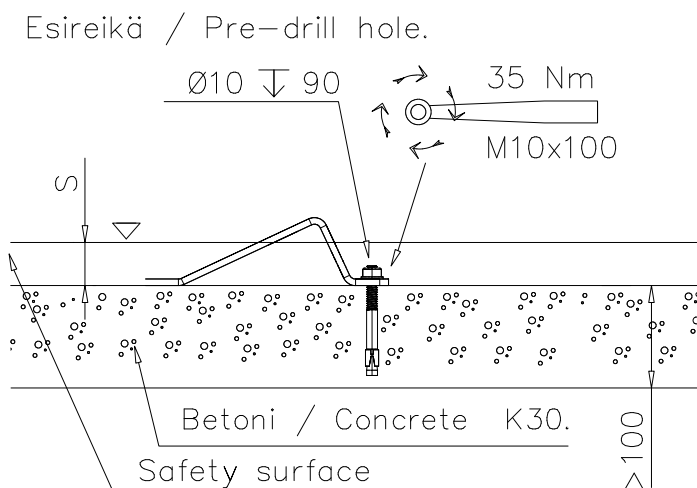
DET 39



DET 40



DET 41



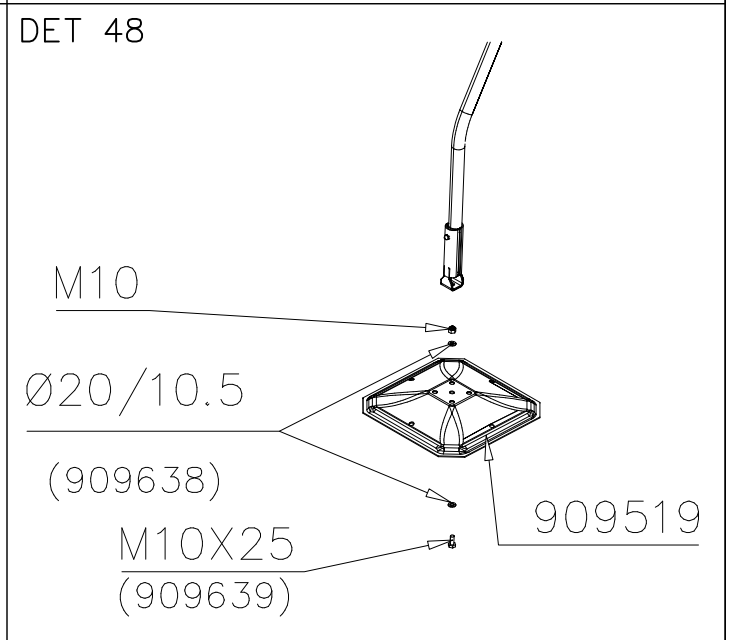
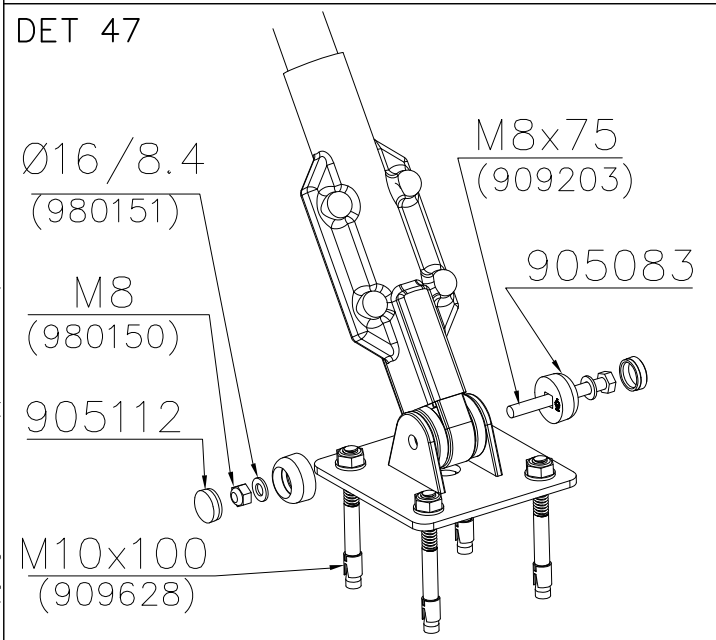
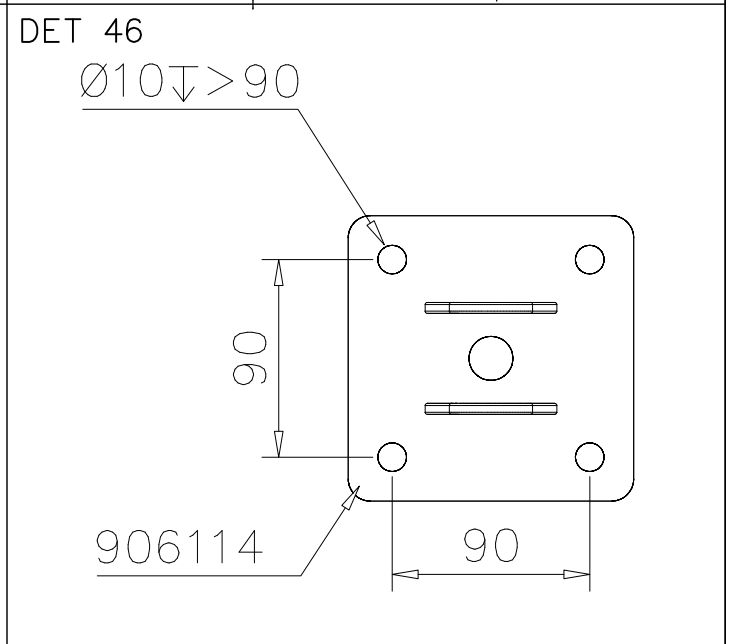
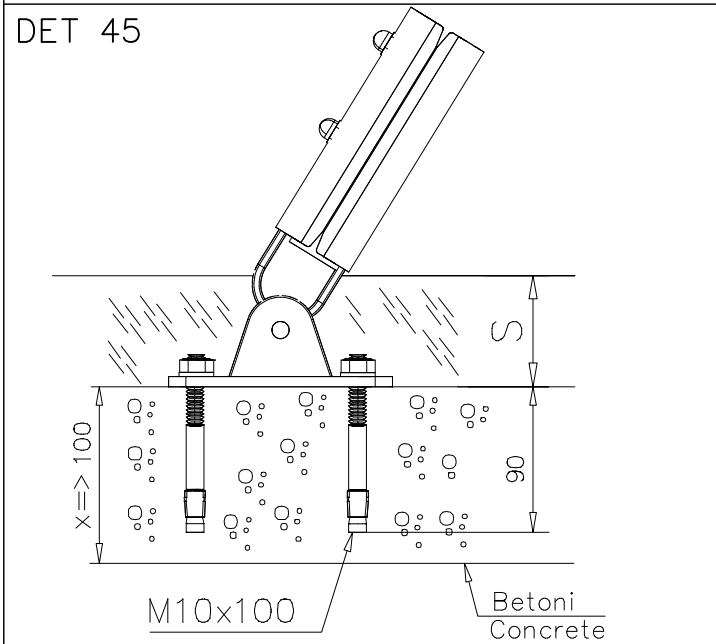
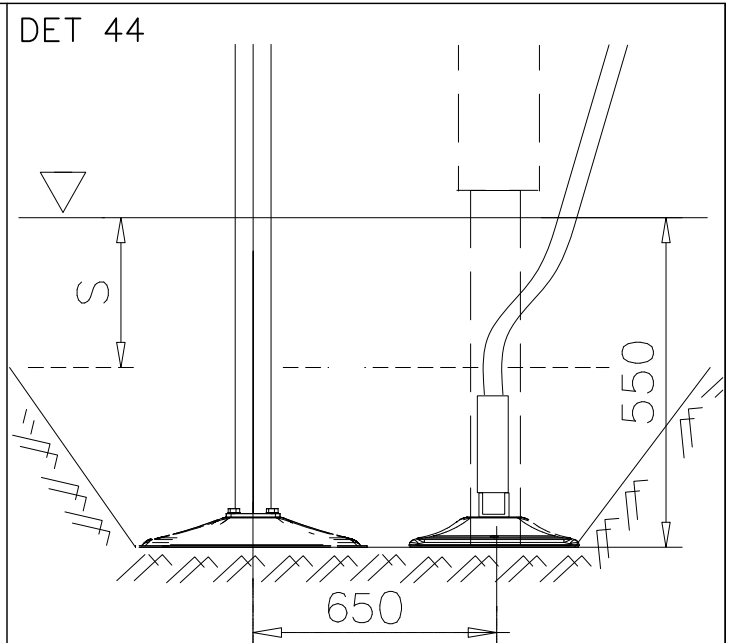
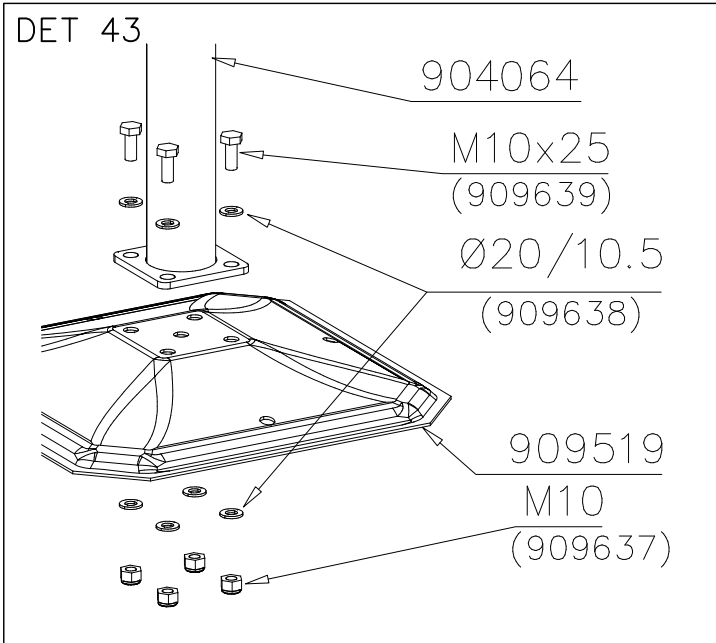
DET 42

# LAPPSET SPORT

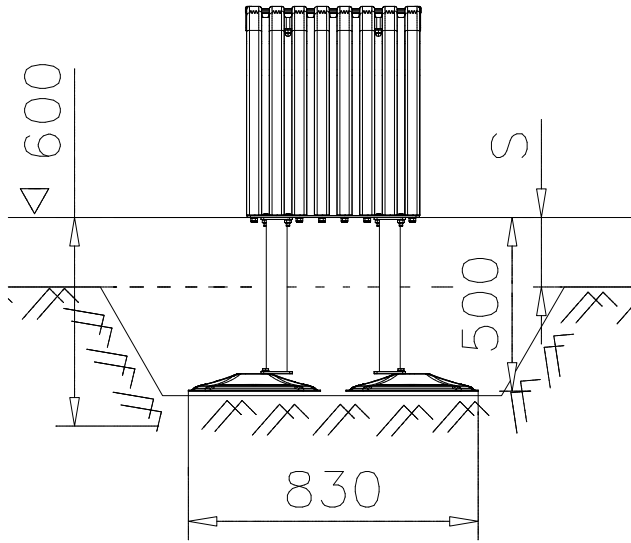
# BASE

DATE: 15.8.2017

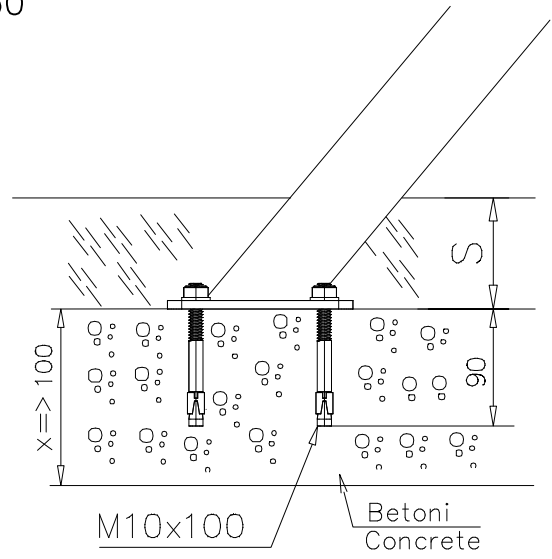
8(10)



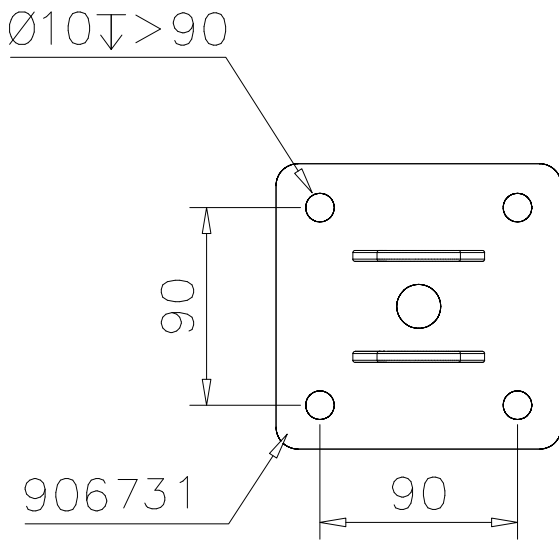
DET 49



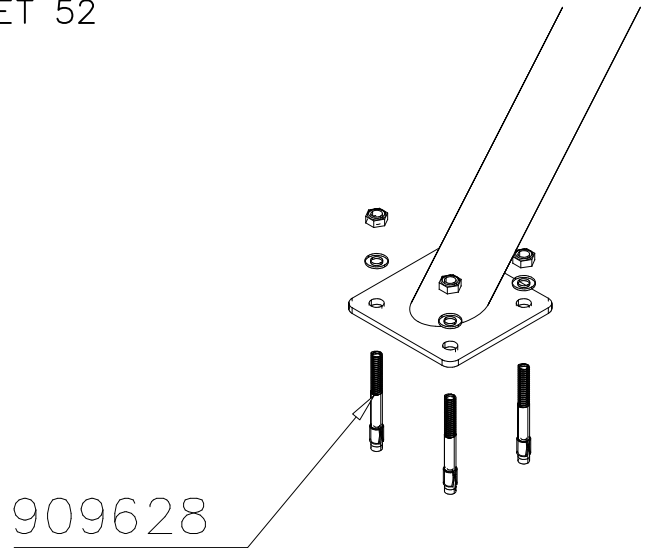
DET 50



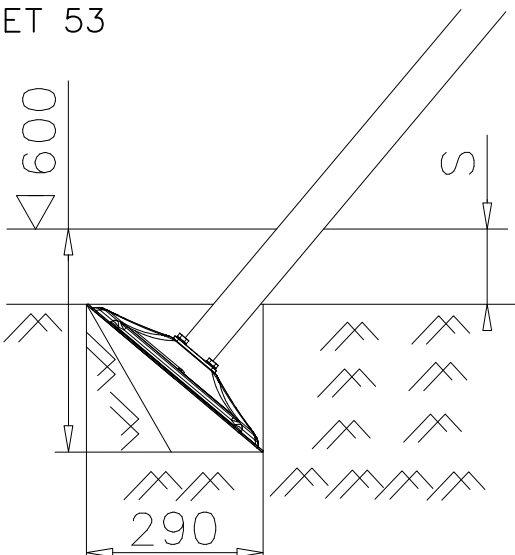
DET 51



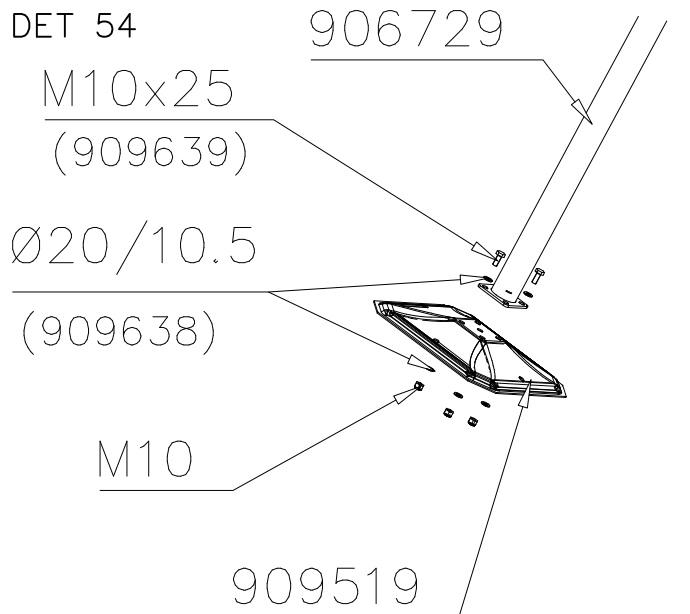
DET 52



DET 53



DET 54





# LAPPSET SPORT

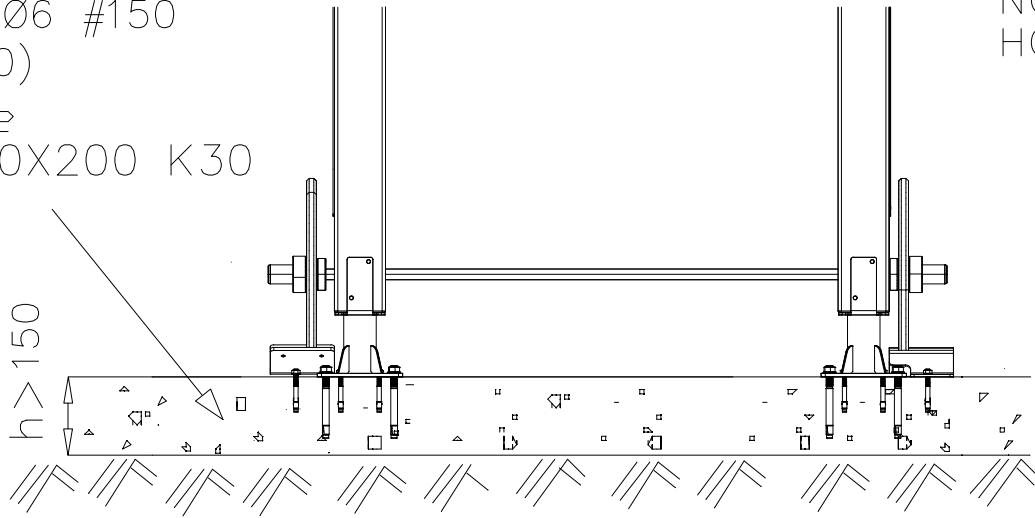
# BASE

DATE: 29.4.2015

10(10)

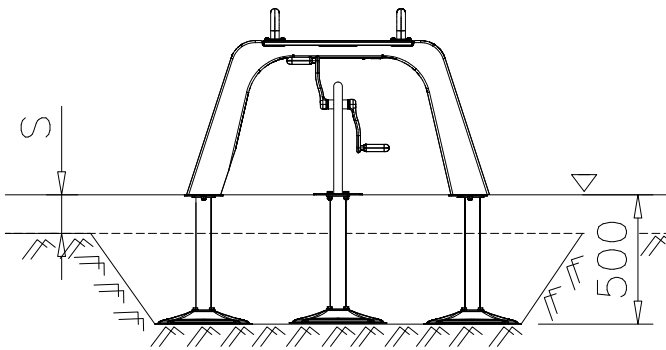
DET 55

STEELNET Ø6 #150  
(1400x2100)  
Concrete  
1500X2200X200 K30

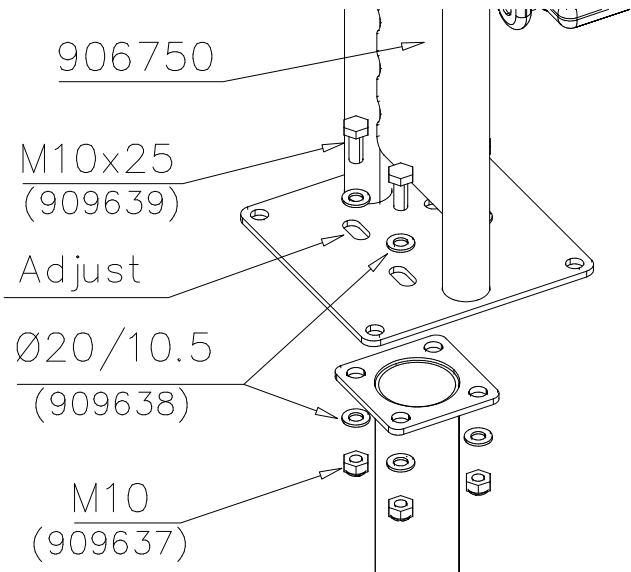


NOTE!  
HOX!

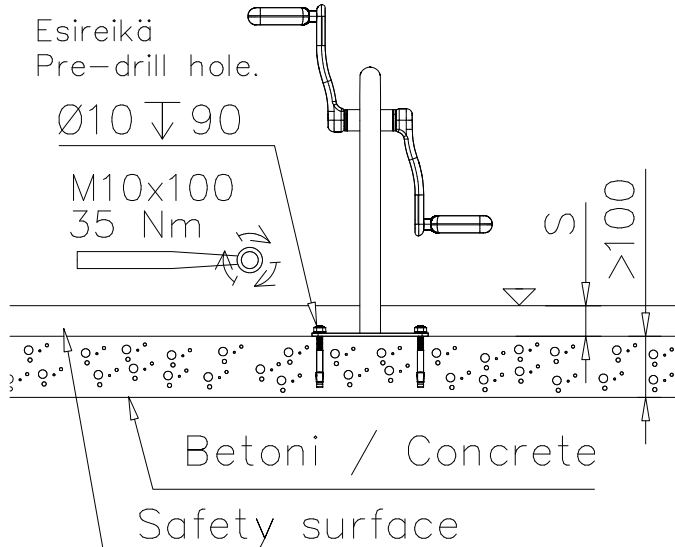
DET 56



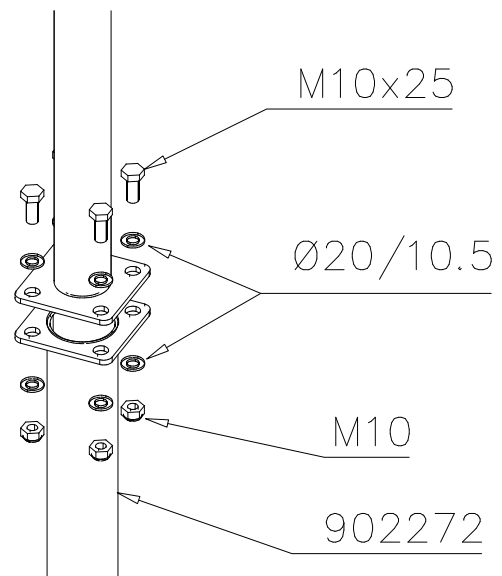
DET 57

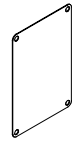



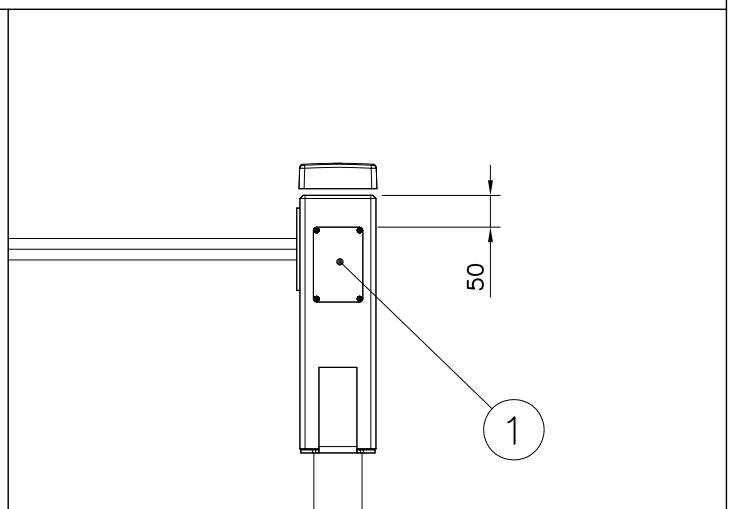
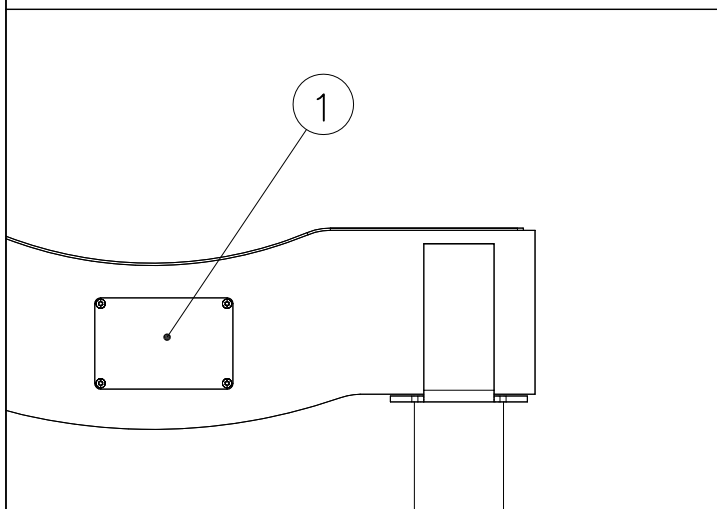
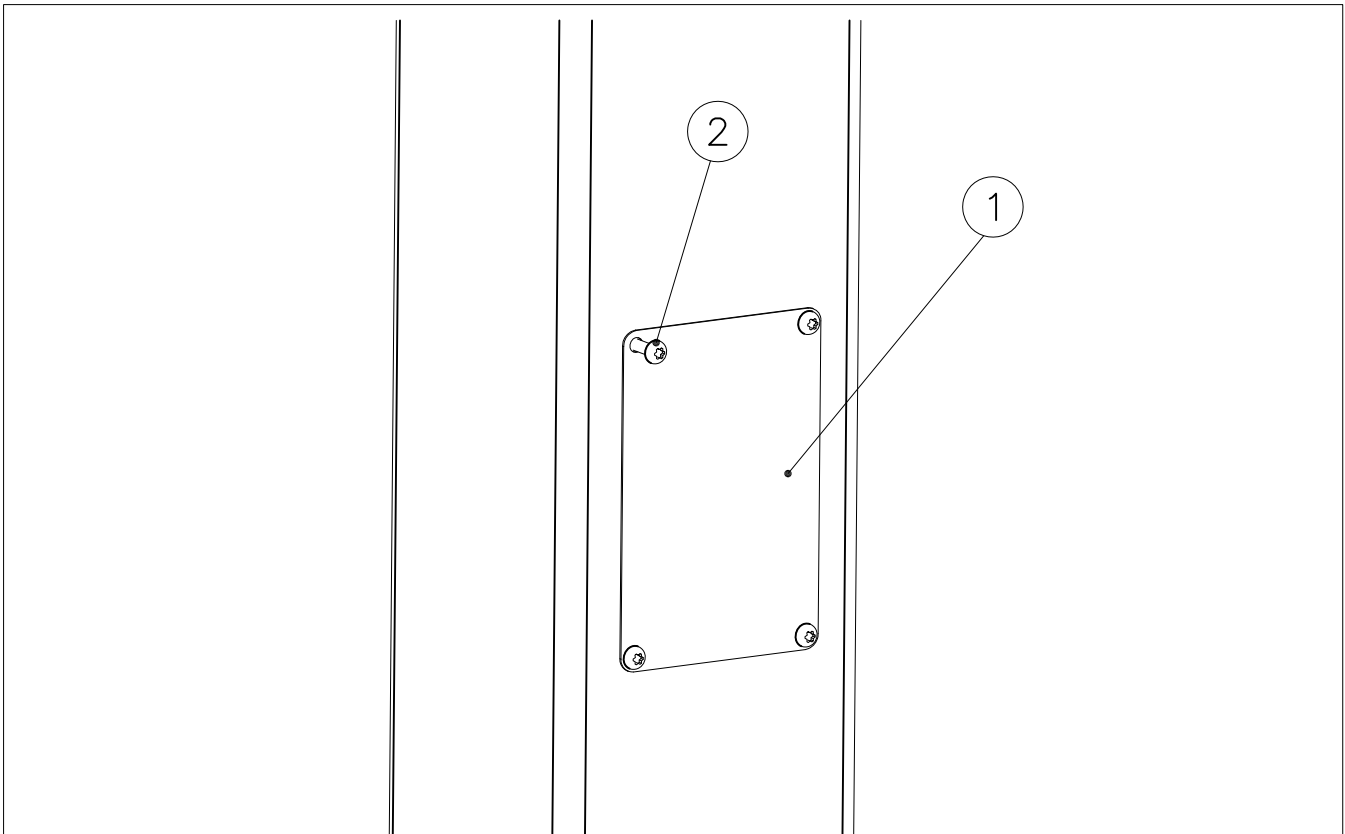
DET 58



DET 59



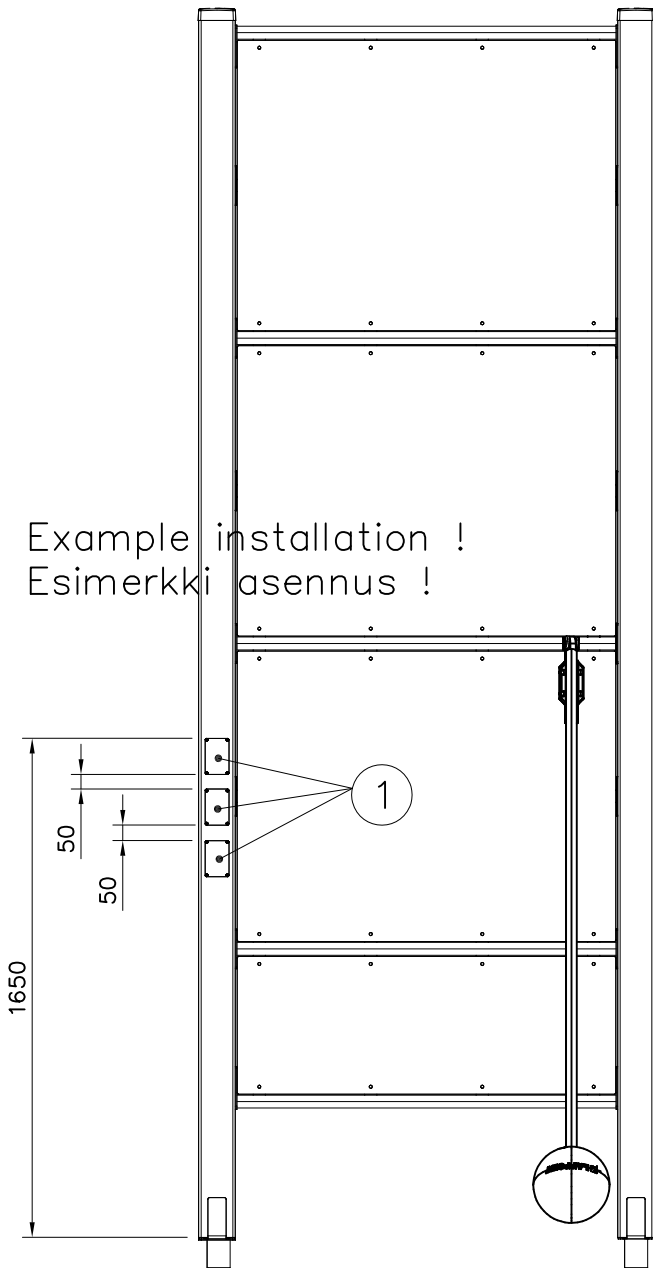
① SHEET METAL	PCS	② 980114	PCS
	1		4
118x78x0.7		Ø4x20	



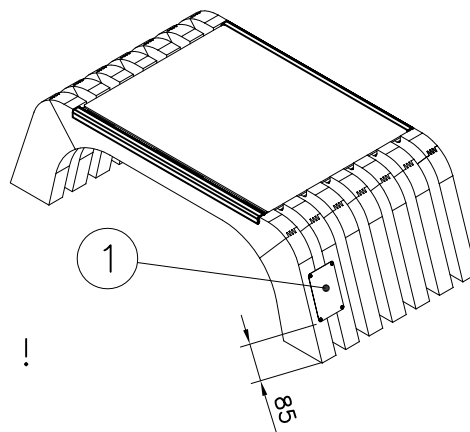
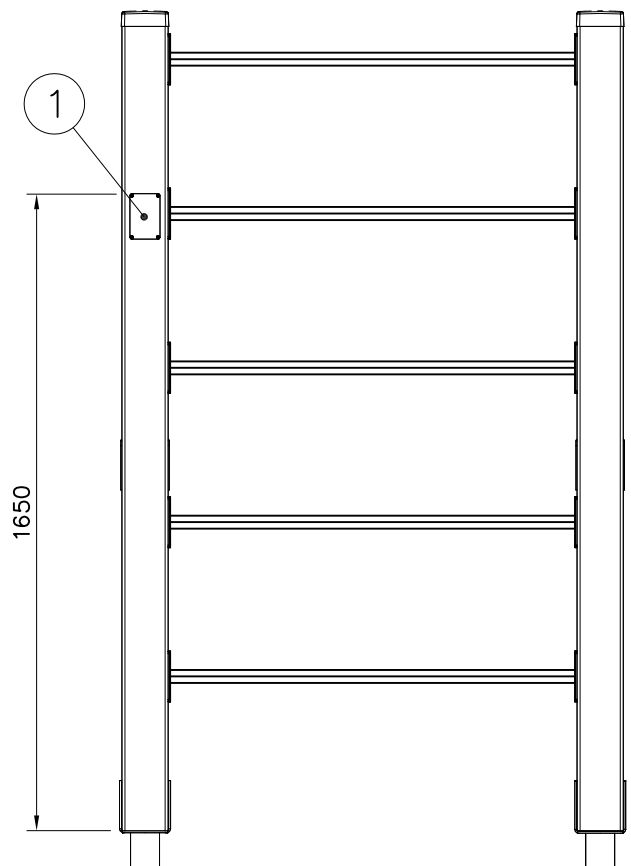
Example installation !  
Esimerkki asennus !

Example installation !  
Esimerkki asennus !

Example installation !  
Esimerkki asennus !



Example installation !  
Esimerkki asennus !



Example installation !  
Esimerkki asennus !