




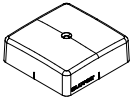


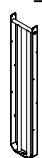
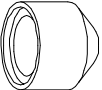
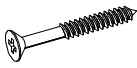
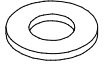
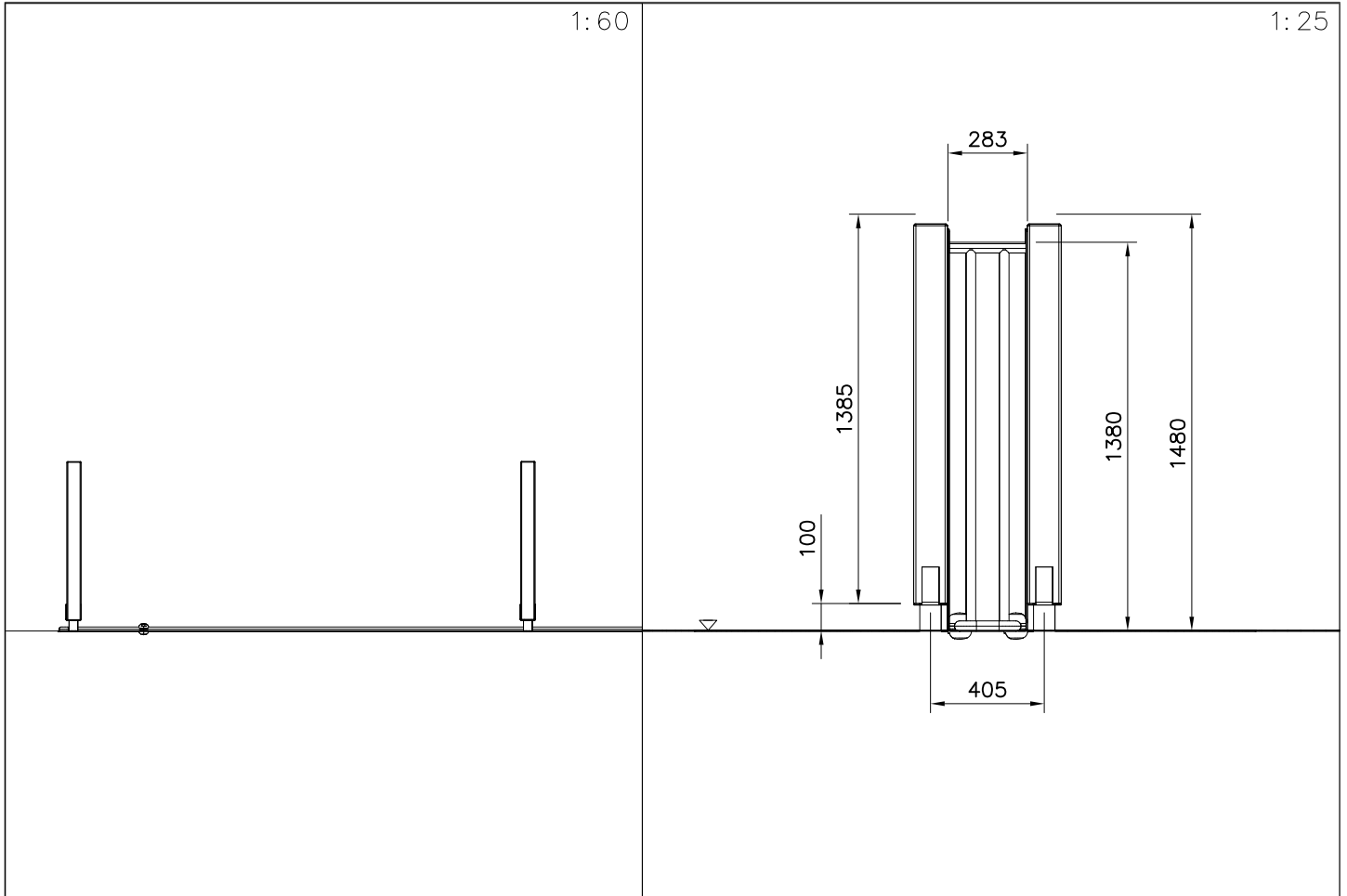


①	706032	PCS	②	705158	PCS
		1		$\varnothing 37 \times 16000$	1
③	704946	PCS	④	980114	PCS
		4		$\varnothing 4 \times 20$	4
	120x120x1350				
⑤	905761	PCS	⑥	905830	PCS
		4		123x123x40	4
	120x120x700				
⑦	980104	PCS	⑧	980123	PCS
		4		$\varnothing 7 \times 60$	24
	$\varnothing 5 \times 90$				
⑨	905753-216	PCS	⑩	905104	PCS
		2		M10	16
	283x1477				
⑪	980100	PCS	⑫	909256	PCS
		16		$\varnothing 16 / 8.4$	24
	$\varnothing 5 \times 60$				
		PCS			PCS
		PCS			PCS



Area of Movement 34.5 m<sup>2</sup>  
 AS4685:2004 Impact Area 19.5 m<sup>2</sup>  
 Training Space 3.1 m<sup>2</sup>

1:71

