

Example seat 000216.
Not included.
Esimerkki istuin 000216.
Ei sisälly tuotteeseen.

DET 1

① 903112	PCS	② 709125	PCS
	2		2
750		140x140x1550	
③ 908414	PCS	④ 910702	PCS
	2		2
		2.9x44x61	
⑤ 910722	PCS	⑥ 903158	PCS
	2		2
50/17x3		M16	
⑦ 908612	PCS	⑧ 980129	PCS
	2		4
Ø60x27		Ø5x35	
⑨ 702286	PCS	⑩ 909506	PCS
	1		1
65x65		3,5x13	

1840

+1680

+1270

+390

+0

1300

125

1500

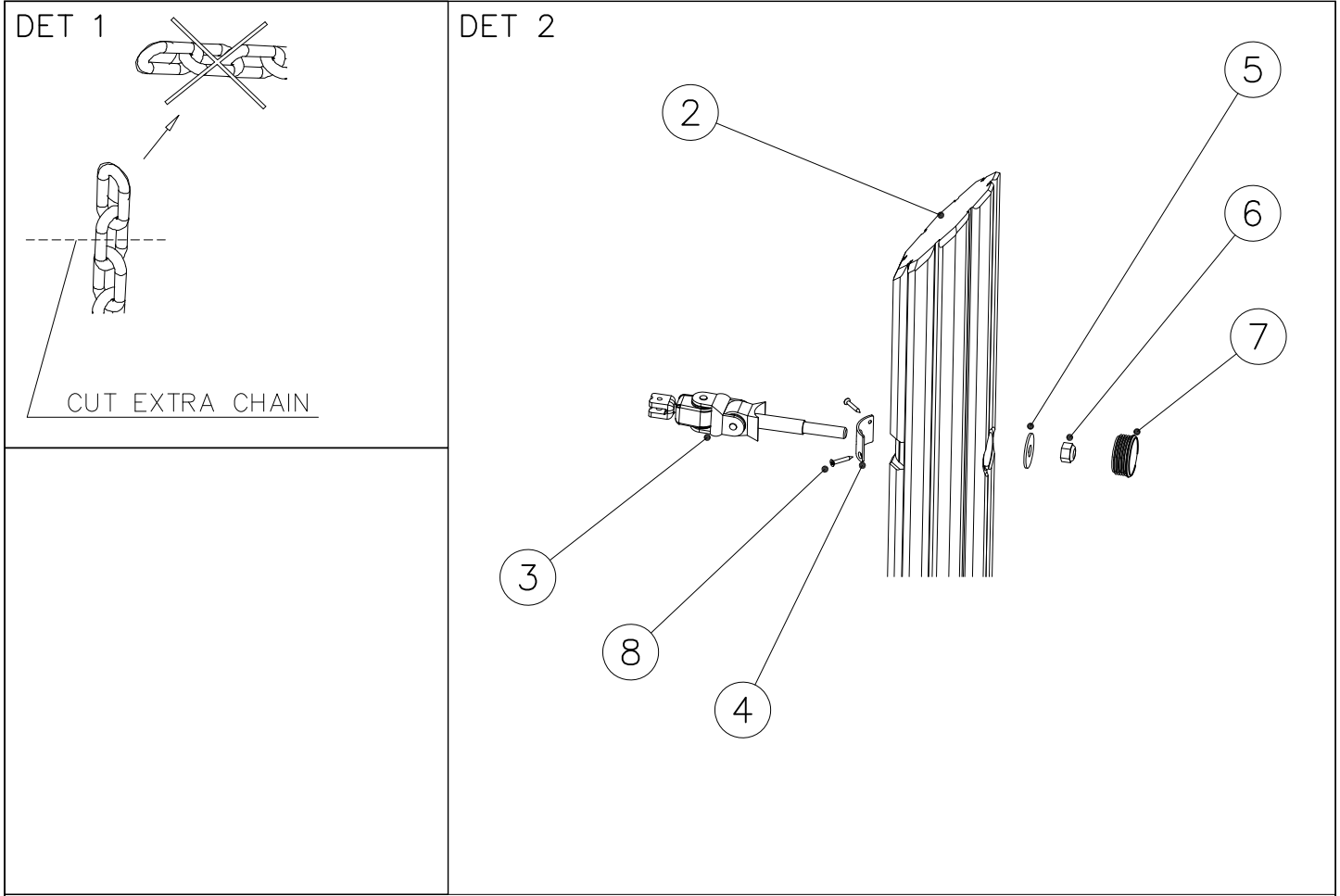
250

610

83°

STEEL NET Ø6 #150

250 x 1200 x 1500 mm REINFORCED CONCRETE



—— EN Impact Area 7.7 m²
 - - - - Falling Space 7.7 m²
 Max Falling Height 1000 mm

