

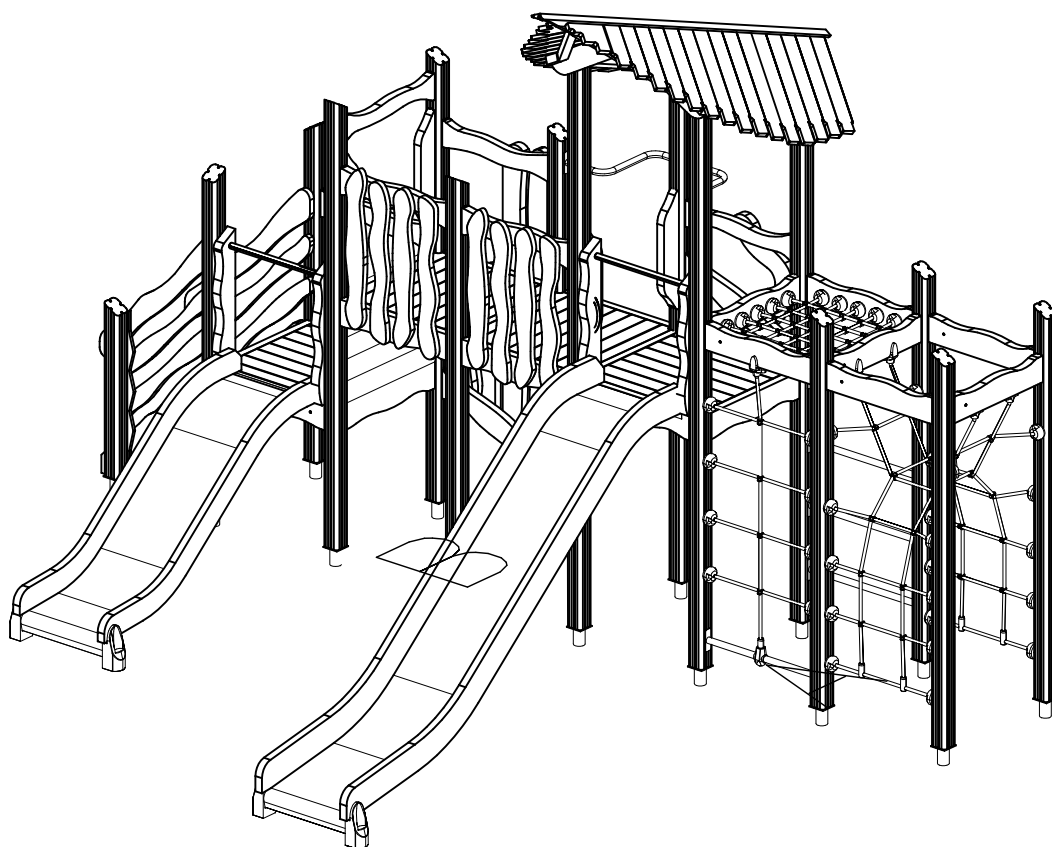
LAPPSET®

FLORA

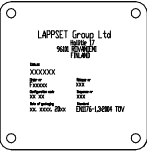
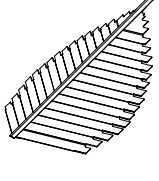


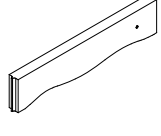
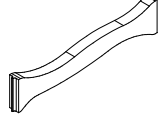






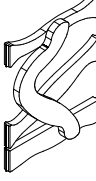

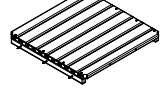

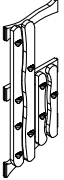

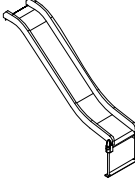

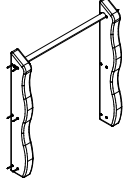






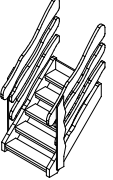


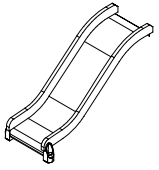

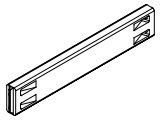
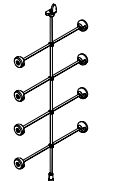
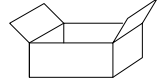
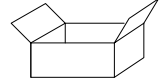
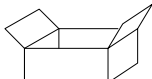
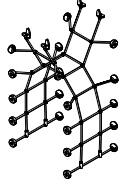
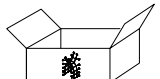
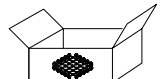
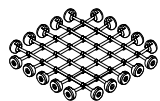
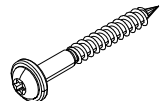



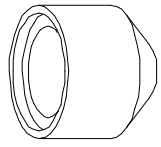
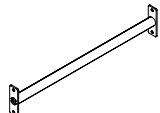
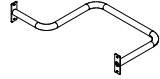

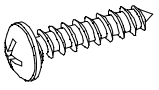
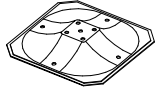
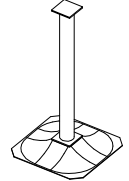


ASENNUSOHJE
MONTERINGSANSVISNING
INSTALLATION INSTRUCTION
AUFBAUANLEITUNG
NOTICE D'INSTALLATION

DATE: 23.8.2017

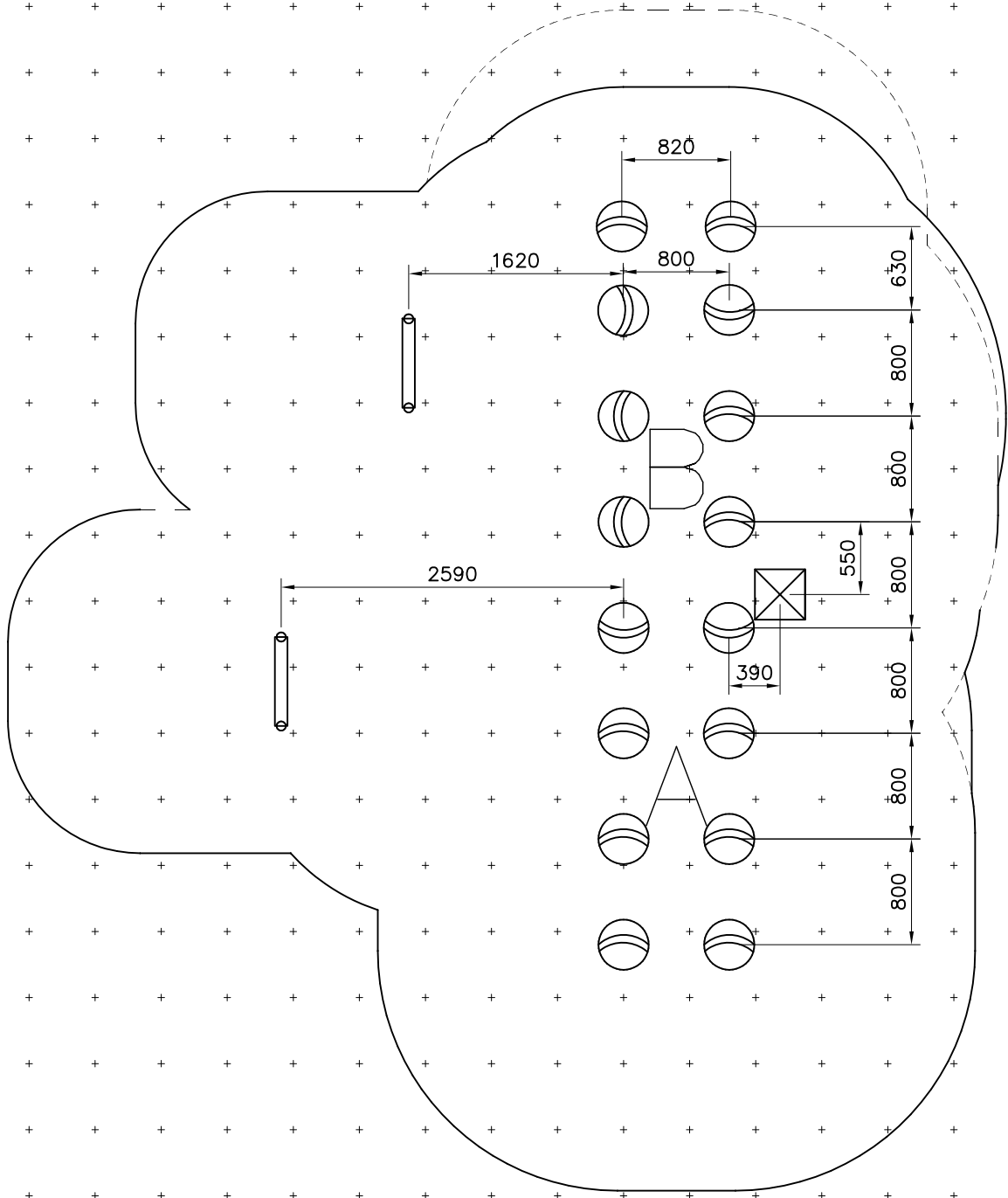
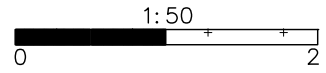
Q12061

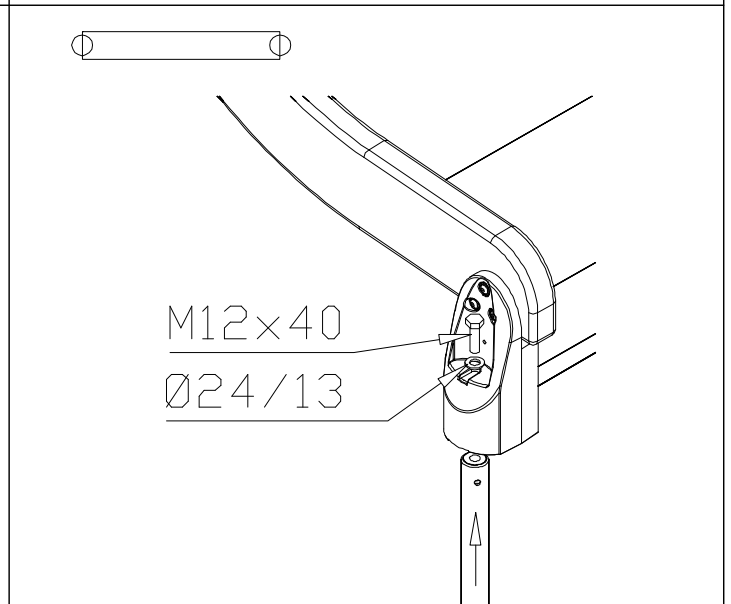
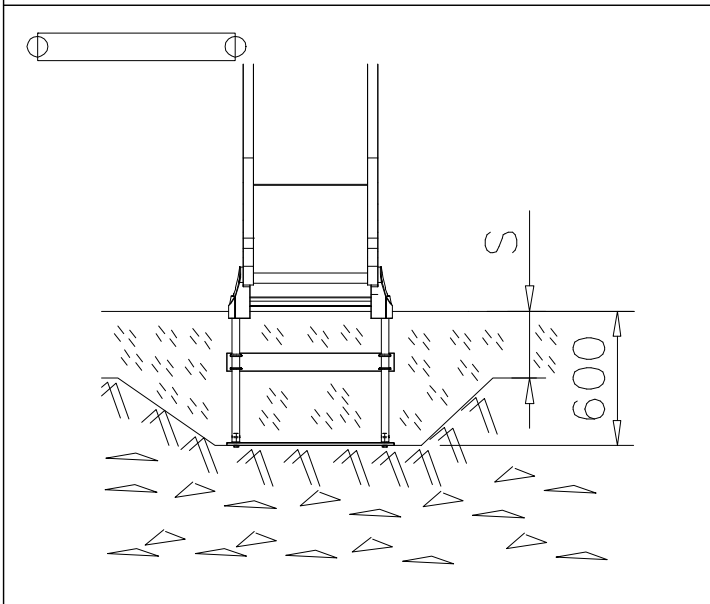
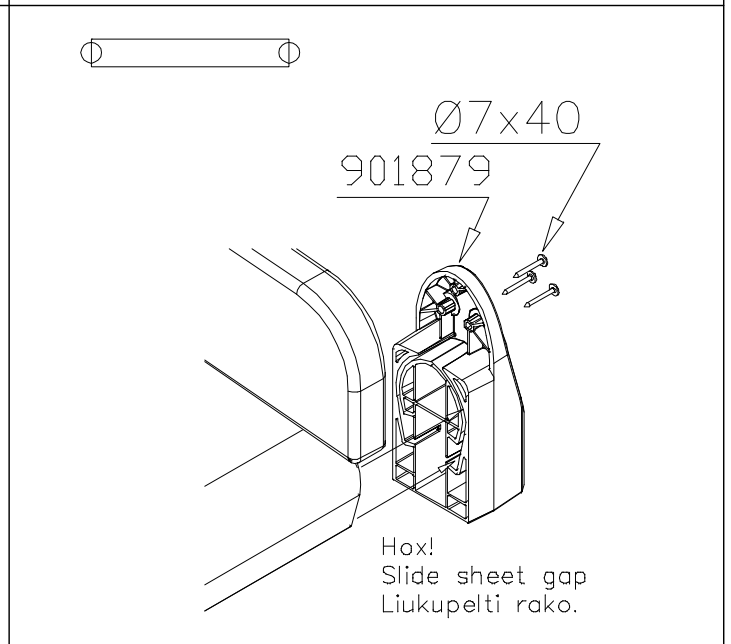
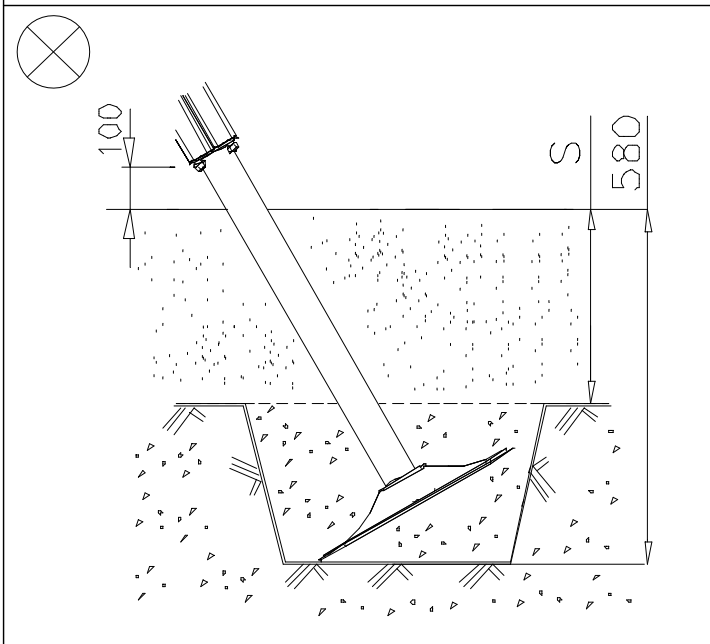
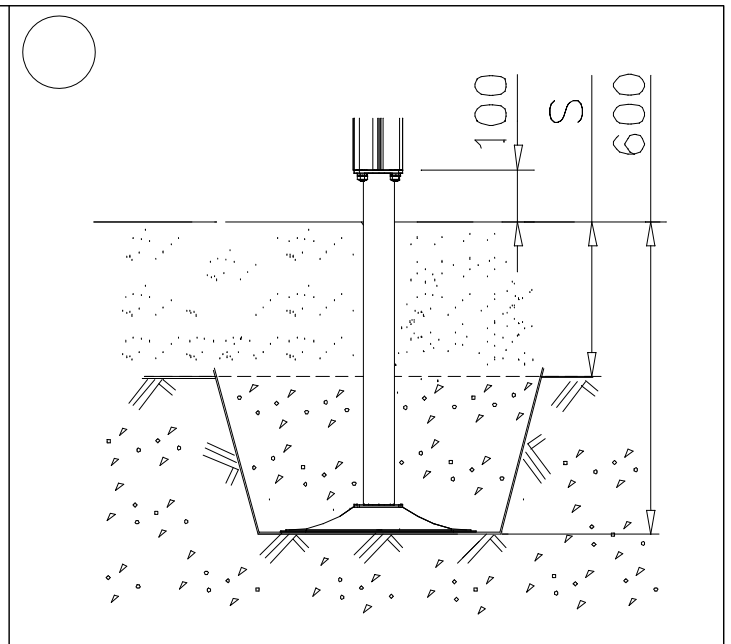
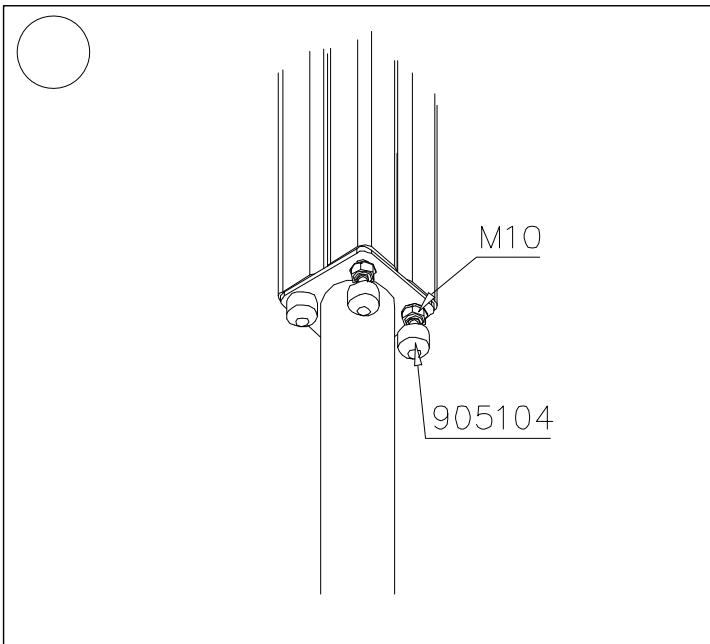


DATE: 30.8.2017

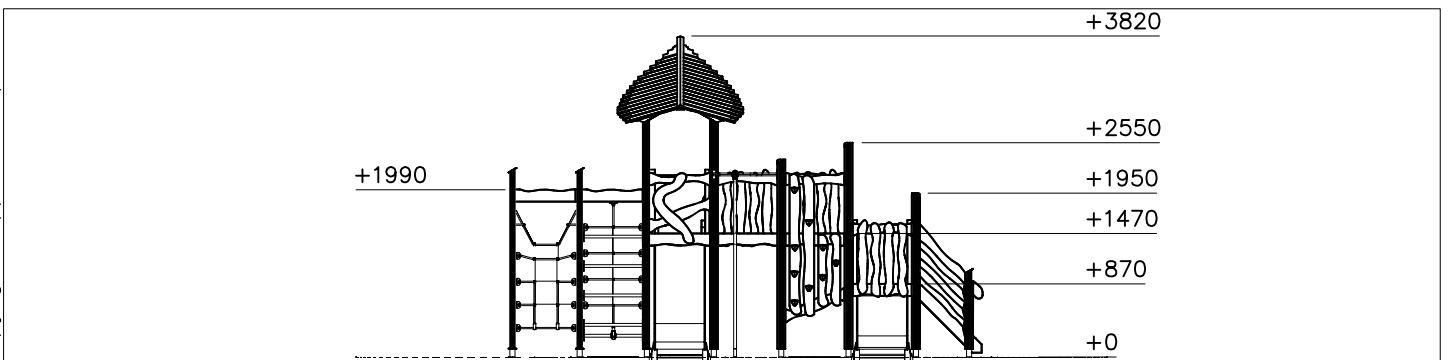
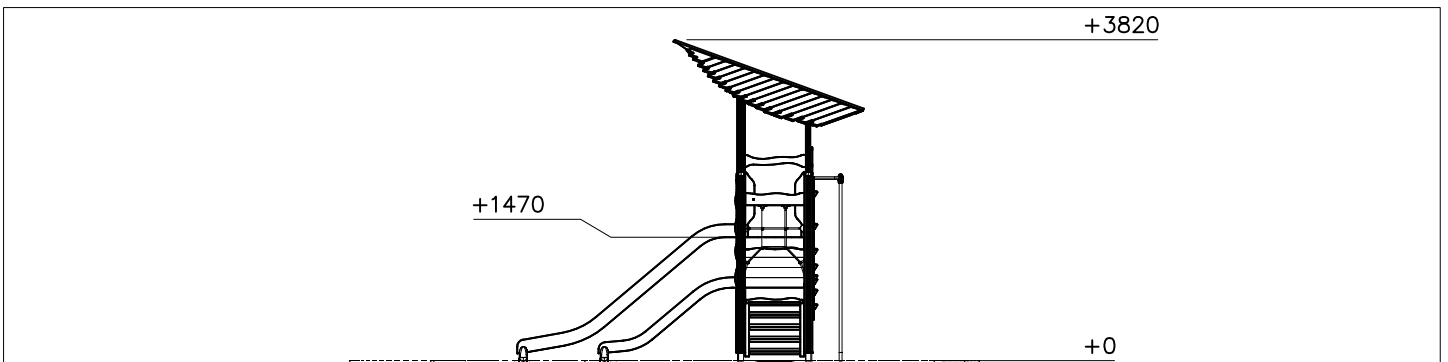
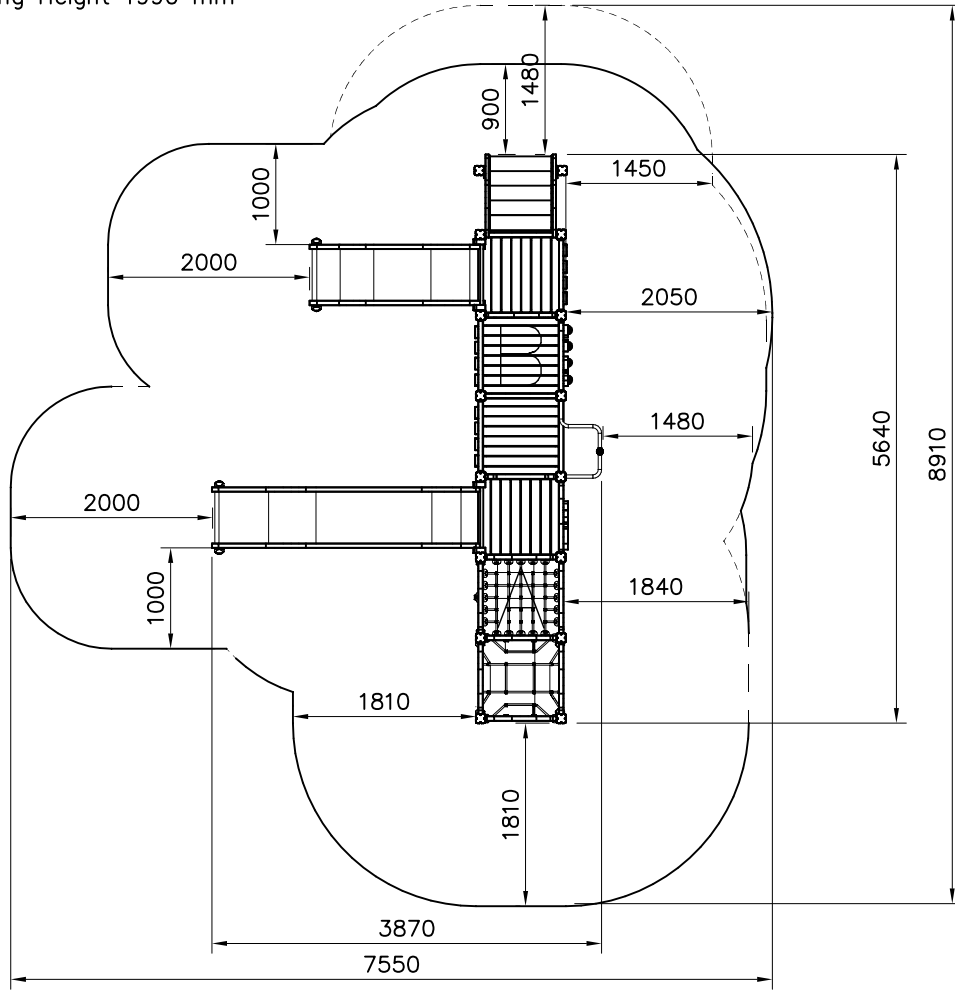
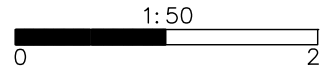
702286  65x65	PCS 1	705203  	PCS 1	705207  l=2146	PCS 4	705211  L=724	PCS 15	705214  L=724	PCS 1	705219  L=2246	PCS 2
705221  L=2446	PCS 2	705230  	PCS 3	705237  L=3138	PCS 2	705239  L=2846	PCS 2	705246  	PCS 1	705258  	PCS 4
705270  	PCS 1	705308  	PCS 1	705310  	PCS 2	705506   	PCS 2	705511  	PCS 2	706185  	PCS 1
706193  L=946	PCS 2	706234  	PCS 1	706439  L 704	PCS 5	706480-303  1580x705	PCS 1	706541 	PCS 1	706542 	PCS 1
706543 	PCS 1	707341-303  1520x705	PCS 1	707349 	PCS 1	707588 	PCS 1	707590-303  755x755	PCS 1	900240  Ø8x70	PCS 16
901902  30.7x60.9x100	PCS 4	901916  L 650	PCS 1	903093  Ø8x90	PCS 82	905104  M10	PCS 64	907694-216  L 704	PCS 5	907695-216  L 704	PCS 1
907698-216  L 2054	PCS 1	909506  Ø3.5x13	PCS 4	909519  50x380x380	PCS 1	909521  	PCS 16	P07524  L=1846	PCS 2		PCS

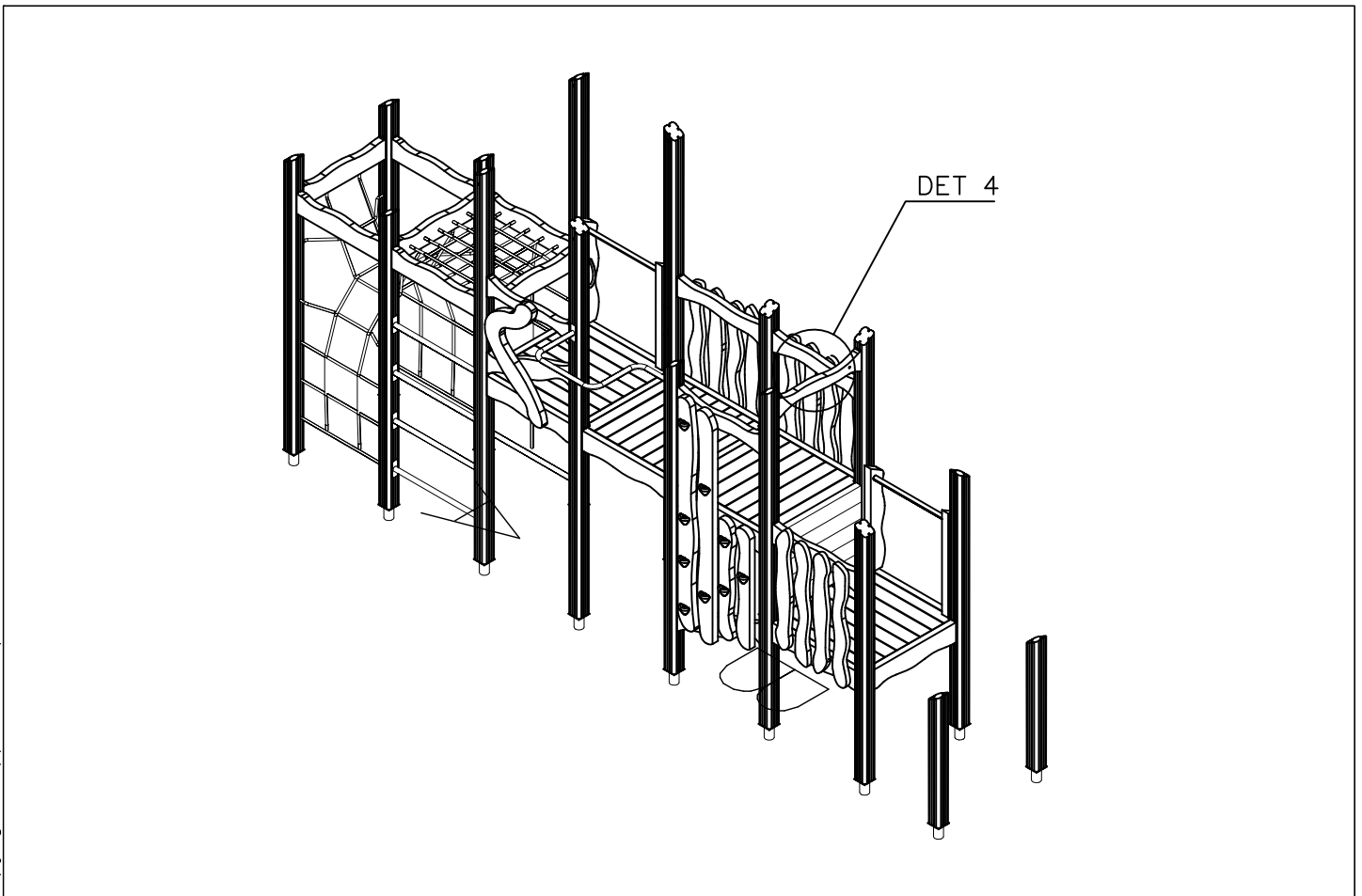
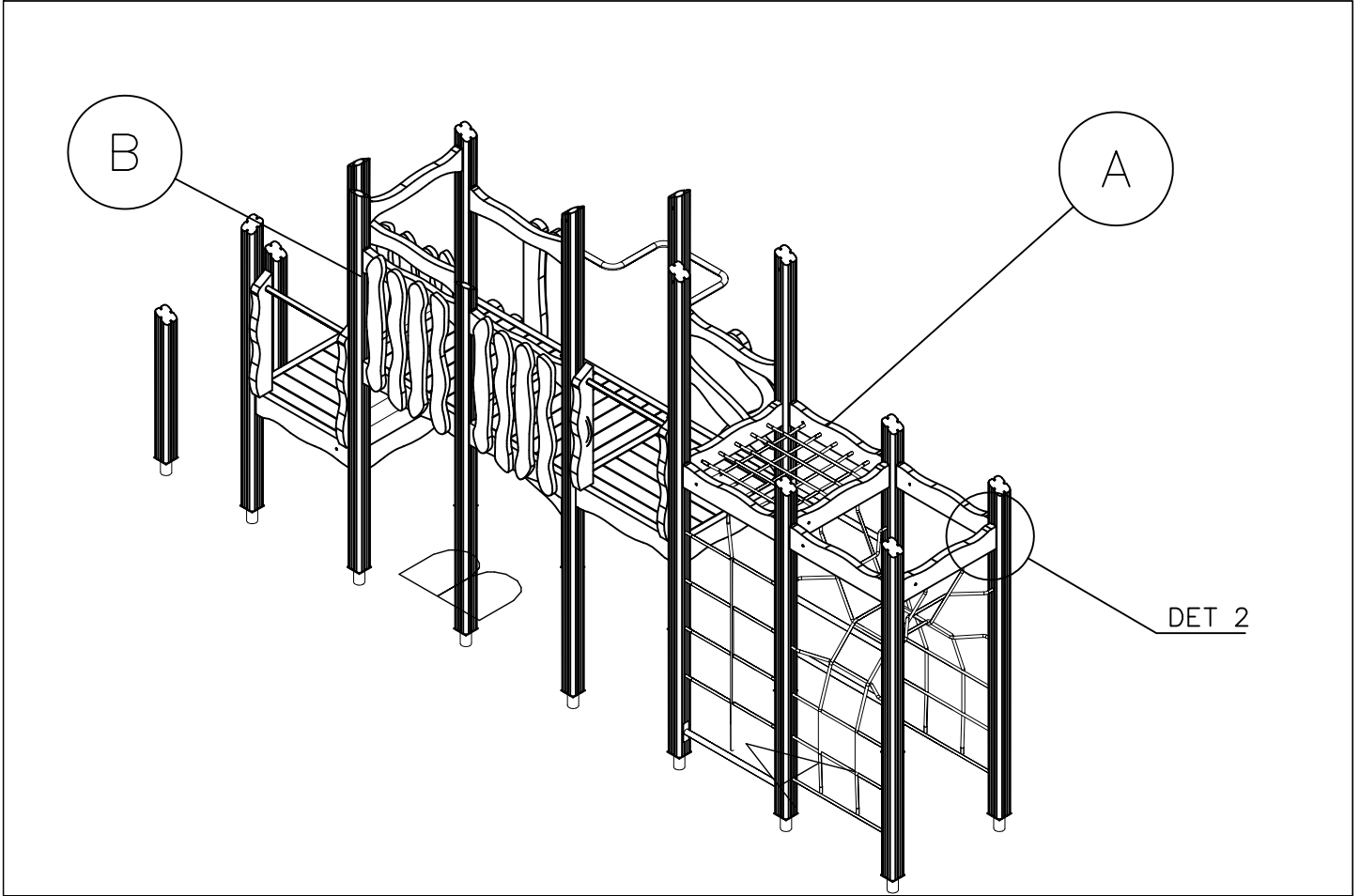
==== EN/AS Impact Area 46.3 m²
- - - - Falling Space 48.1 m²
Grid size = 500 mm
+ Max. Falling Height 1990 mm +

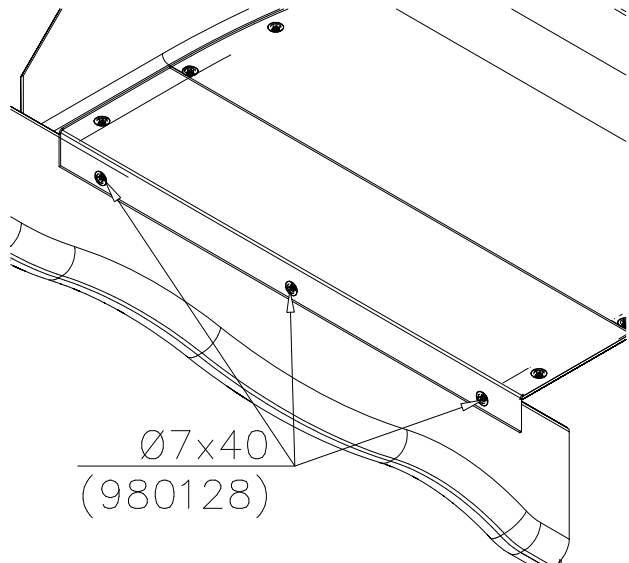
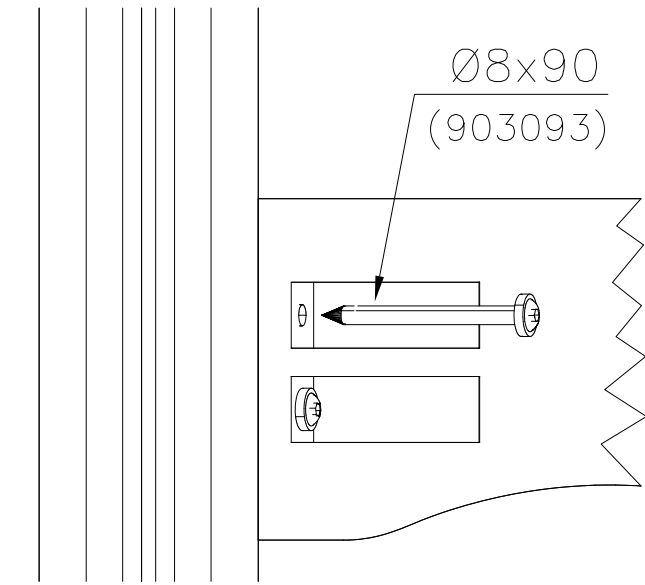
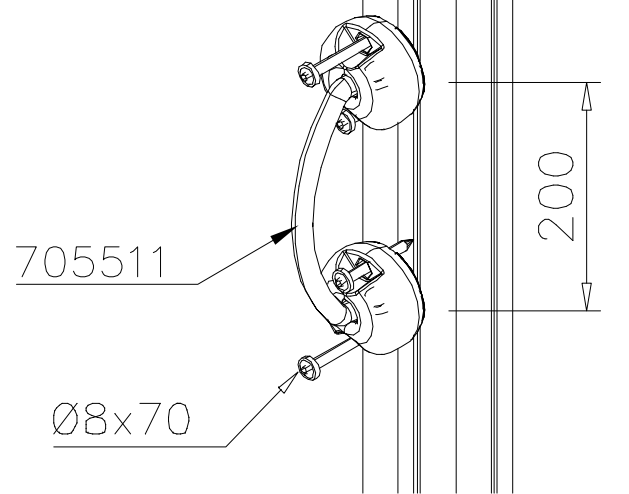
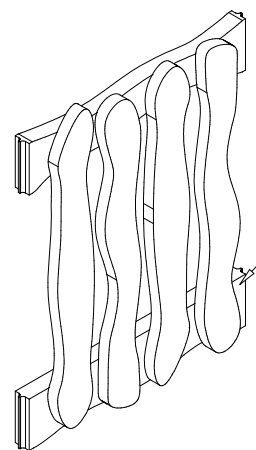
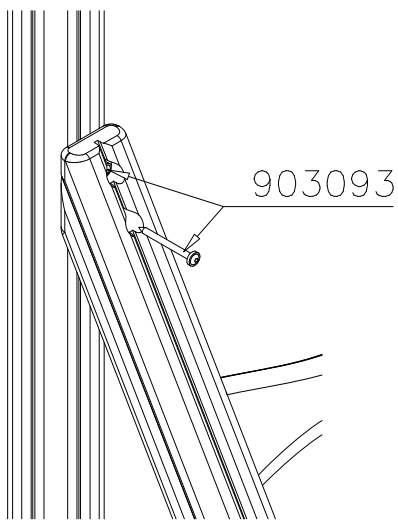
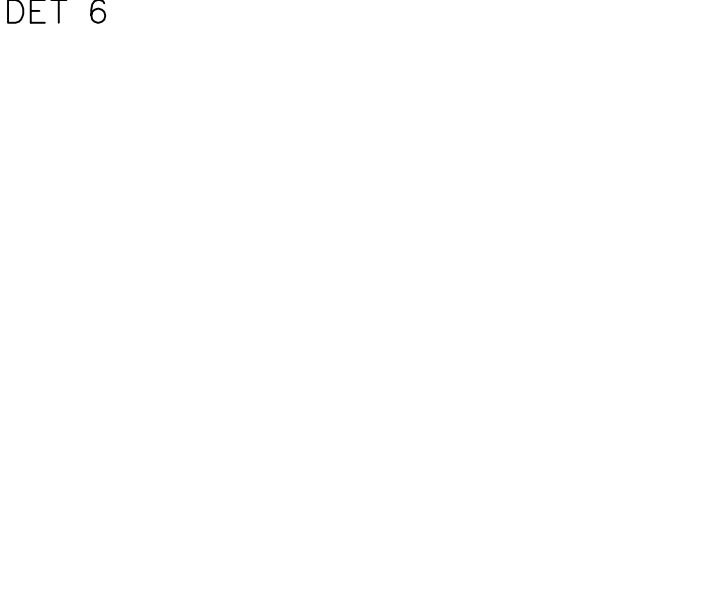


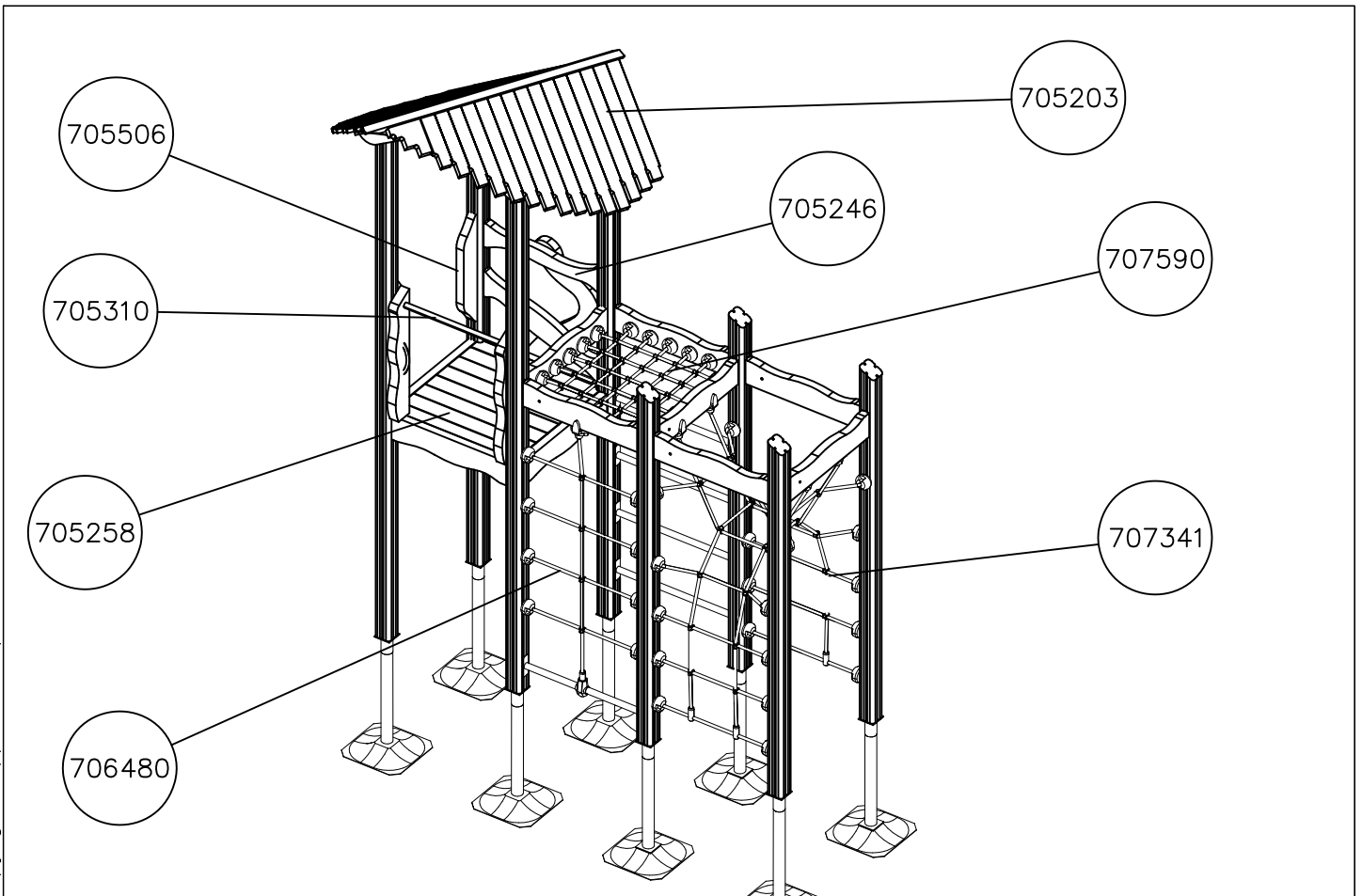
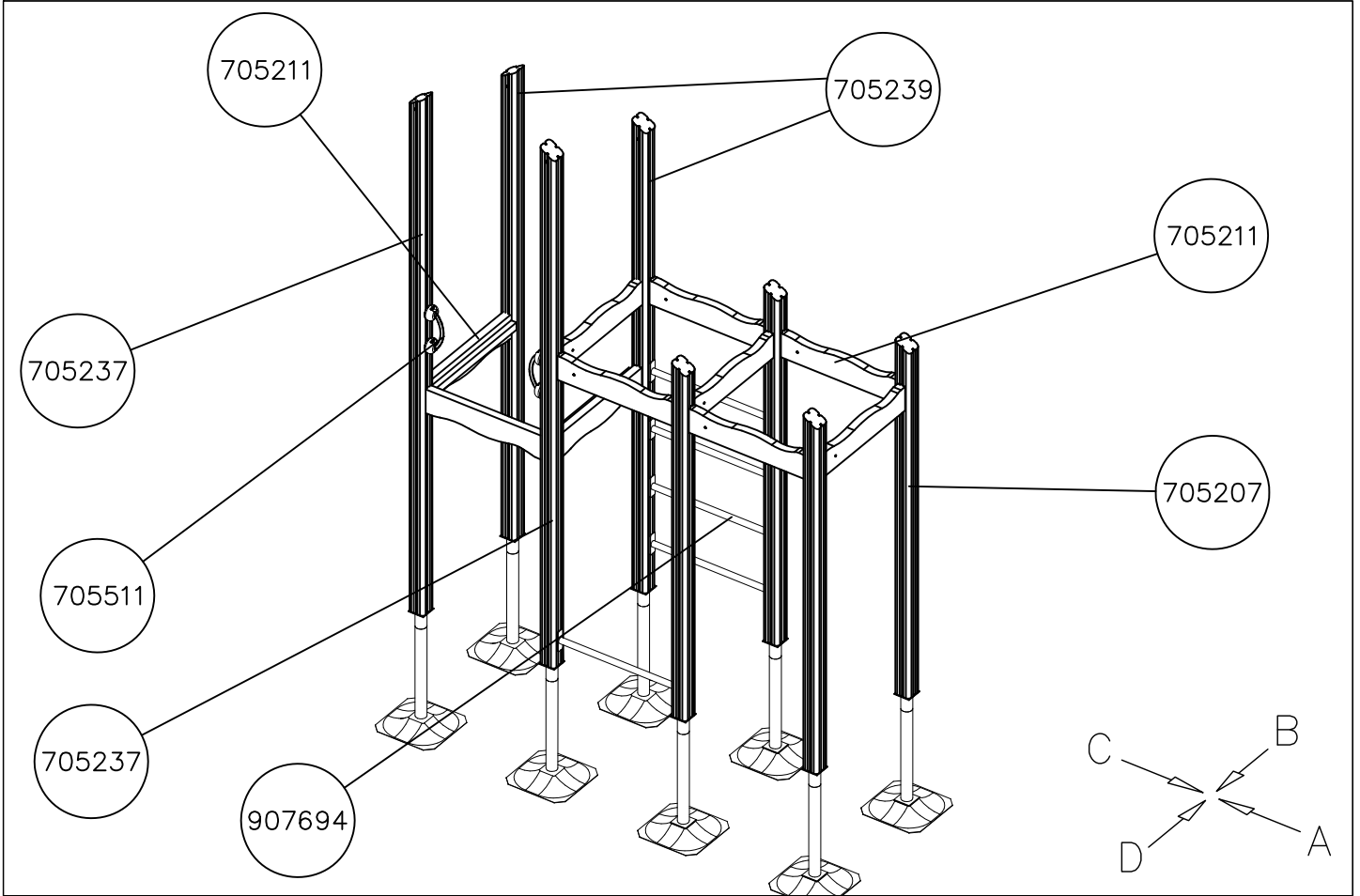


- EN/AS Impact Area 46.3 m²
- - - - Falling Space 48.1 m²
- Max Falling Height 1990 mm



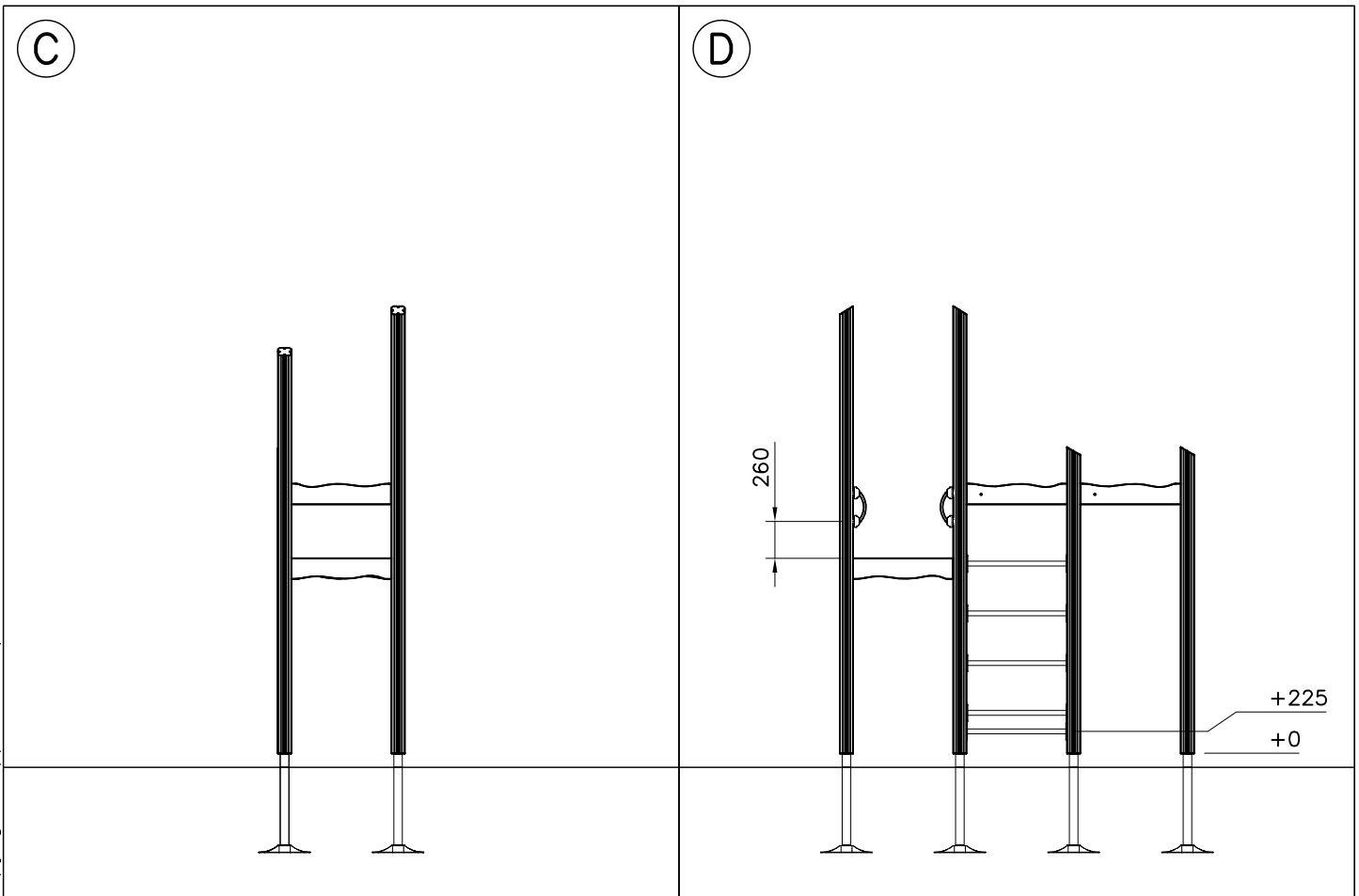
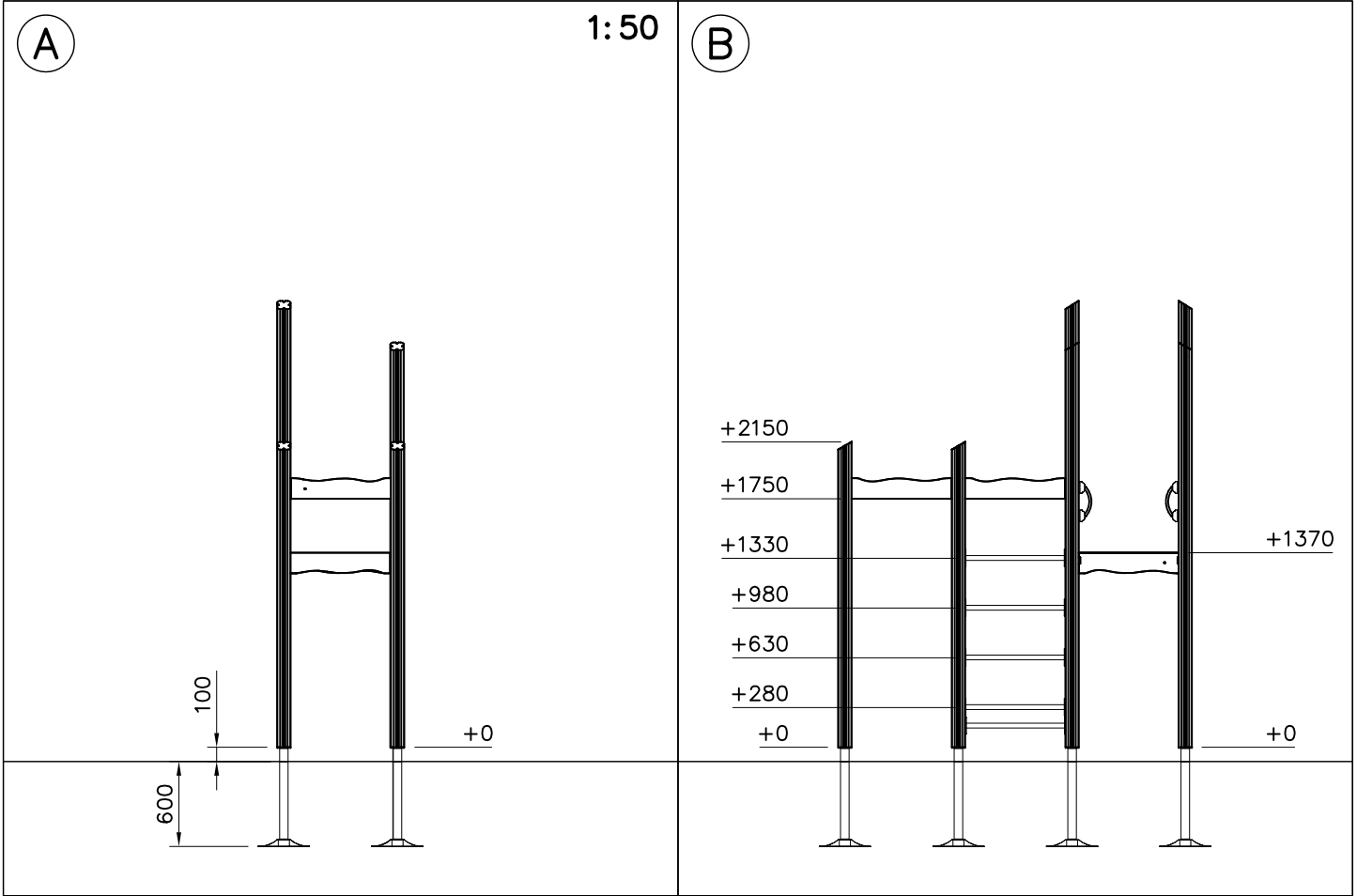


<p>DET 1 =SLIDE</p>  <p>Ø7x40 (980128)</p>	<p>DET 2</p>  <p>Ø8x90 (903093)</p>
<p>DET 3</p>  <p>705511</p> <p>200</p> <p>Ø8x70</p>	<p>DET 4</p>  <p>NOTE: Walls contain floor boom 705211. HUOM: Seinät sisältävät lattia puomin 705211.</p>
<p>DET 5</p>  <p>903093</p>	<p>DET 6</p> 

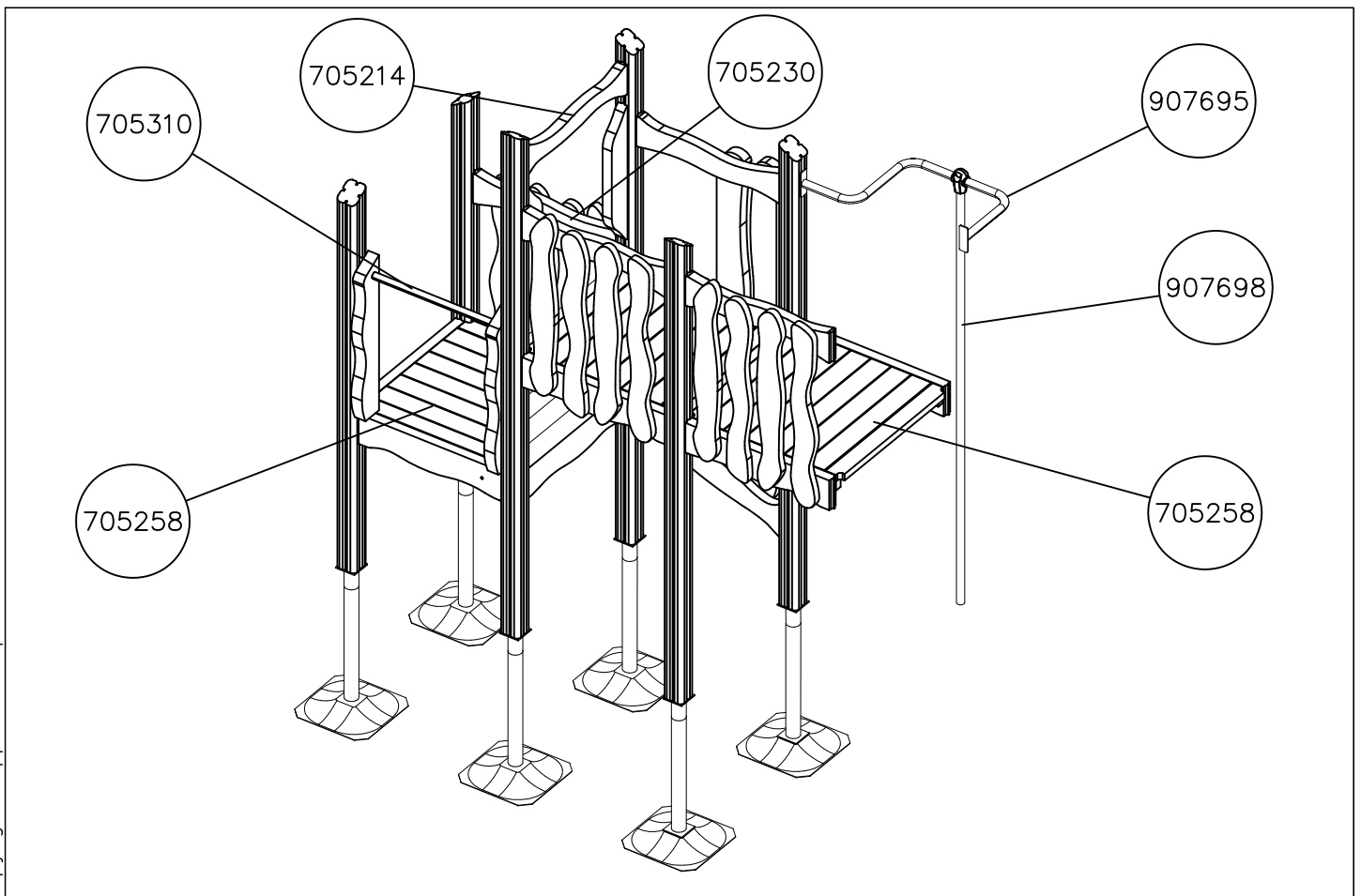
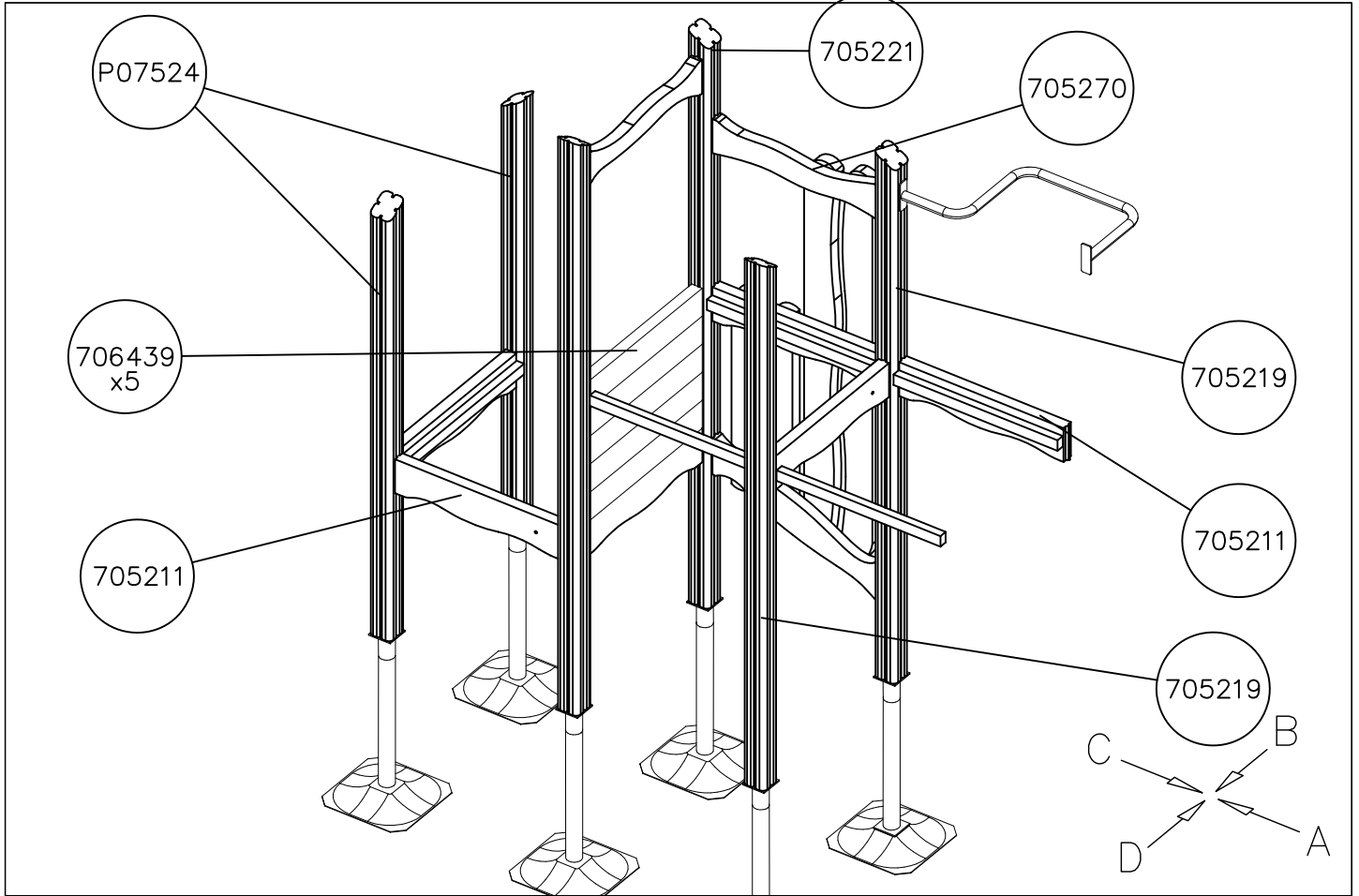


DATE: 29.5.2018

1:50



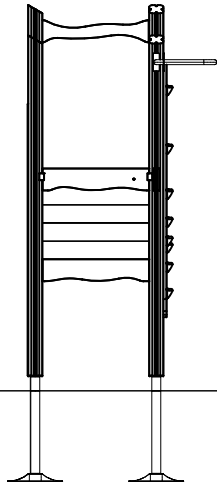
DATE: 29.5.2018



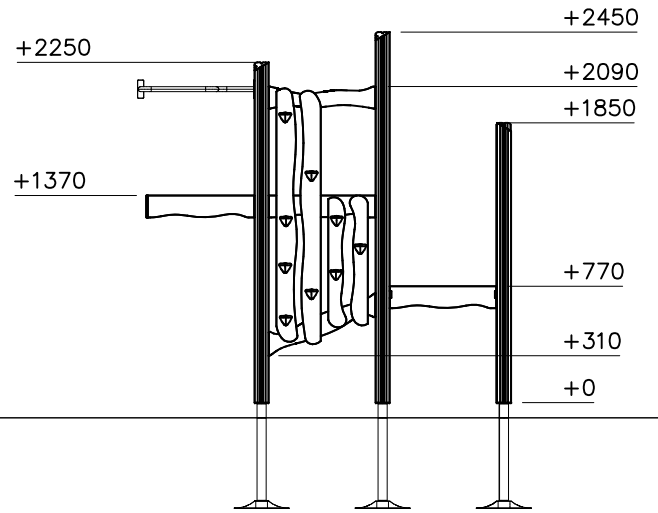
DATE: 29.5.2018

1:50

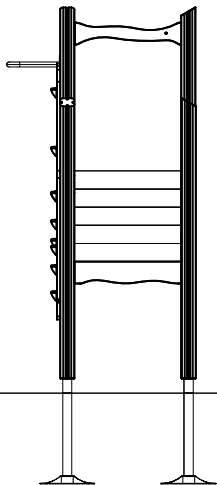
A



B



C



D

