

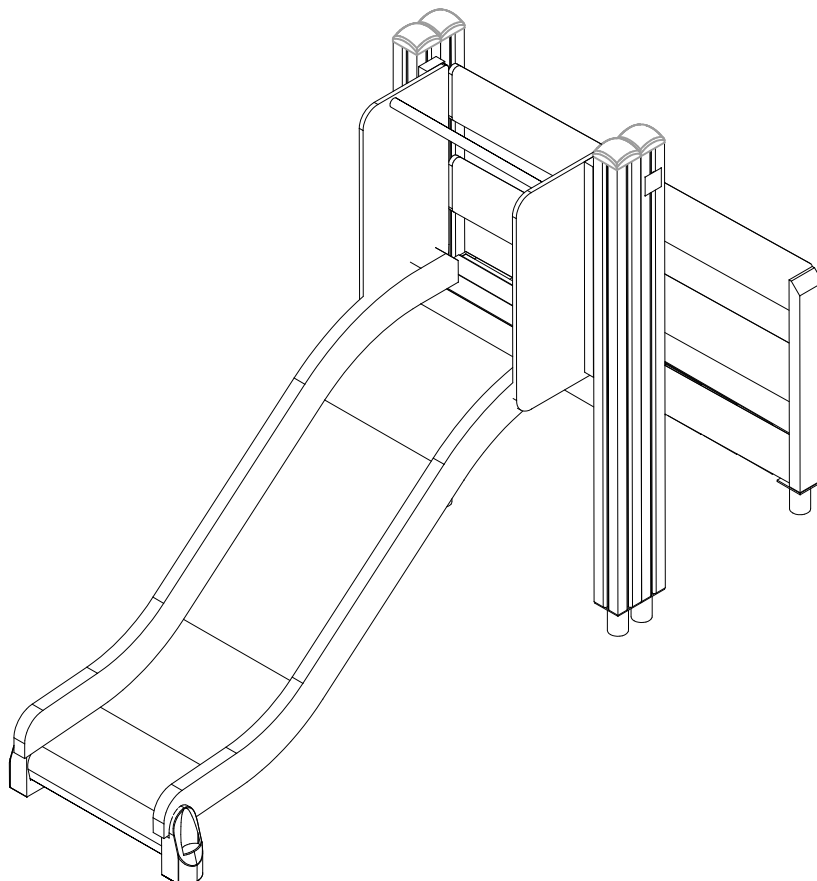
LAPPSET®

FINNO

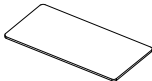
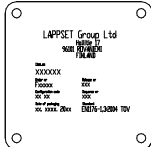

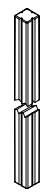
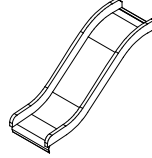

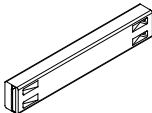
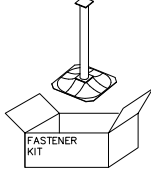
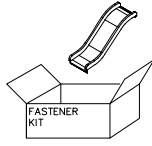
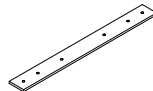

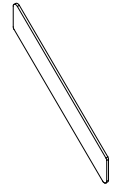

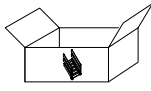
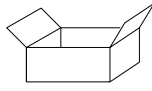
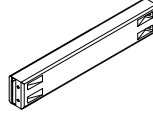
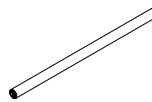
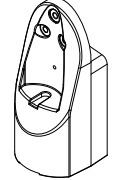
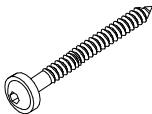
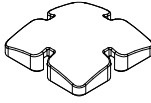
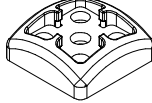

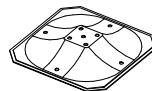

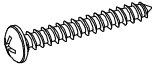
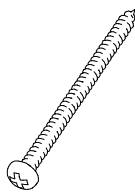
ASENNUSOHJE
MONTERINGSANSVISNING
INSTALLATION INSTRUCTION
AUFBAUANLEITUNG
NOTICE D'INSTALLATION

DATE: 12.2.2024

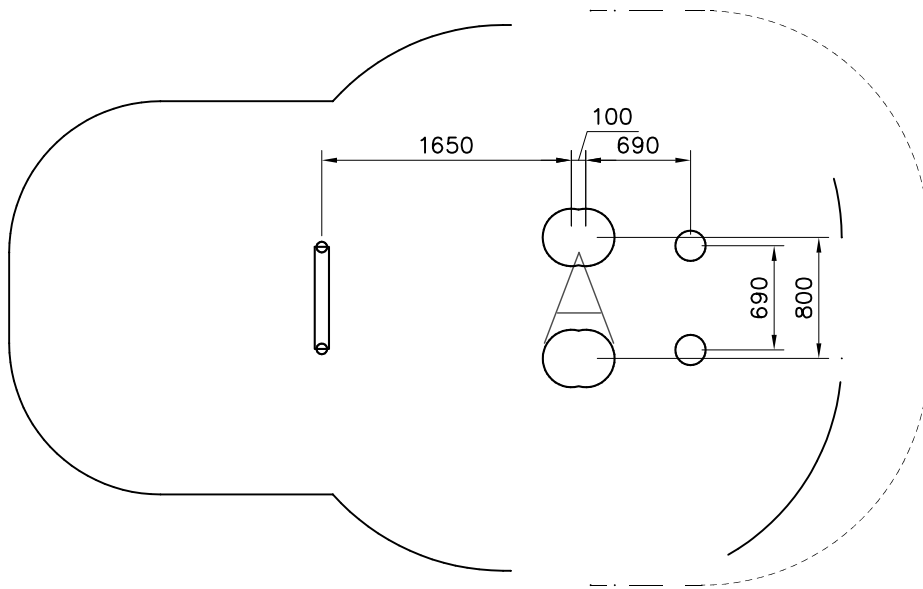
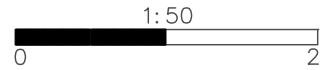
Q11052-1



DATE: 12.2.2024

006212	PCS	702286	PCS	706371-705	PCS	706441	PCS	706452-604	PCS	706505	PCS
	2		1		2		4		1		2
6x200x400		65x65		15x345x750		L 1550		600x780x1470		35x70x730	
706512	PCS	706531	PCS	706533	PCS	707133	PCS	707145	PCS	707146-705	PCS
	1		2		1		1		2		4
70x120x704						10x80x745		43x93x717		15x145x1153	
707191	PCS	707224	PCS	707497	PCS	707940	PCS	901868	PCS	901879	PCS
	1		1		2		1		3		2
+870						70x120x704		Ø34x598			
903093	PCS	905138	PCS	905196	PCS	909511	PCS	909519	PCS	980105	PCS
	8		4		4		6		2		8
Ø8x90		GRAY		GRAY		90x90x650		50x380x380		Ø5x120	
980114	PCS	980131	PCS		PCS		PCS		PCS		PCS
	4		16								
Ø4x20		Ø6x60									
	PCS		PCS		PCS		PCS		PCS		PCS
	PCS		PCS		PCS		PCS		PCS		PCS

- EN/AS Impact Area 16.3 m²
- Falling Space 18.5 m²
Max Falling Height 1000 mm

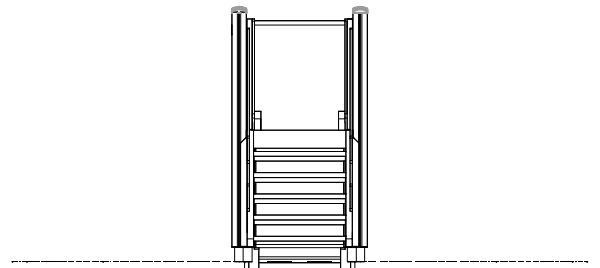
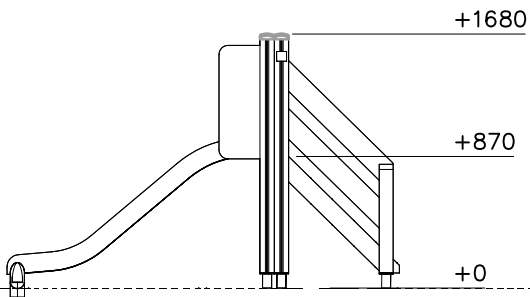
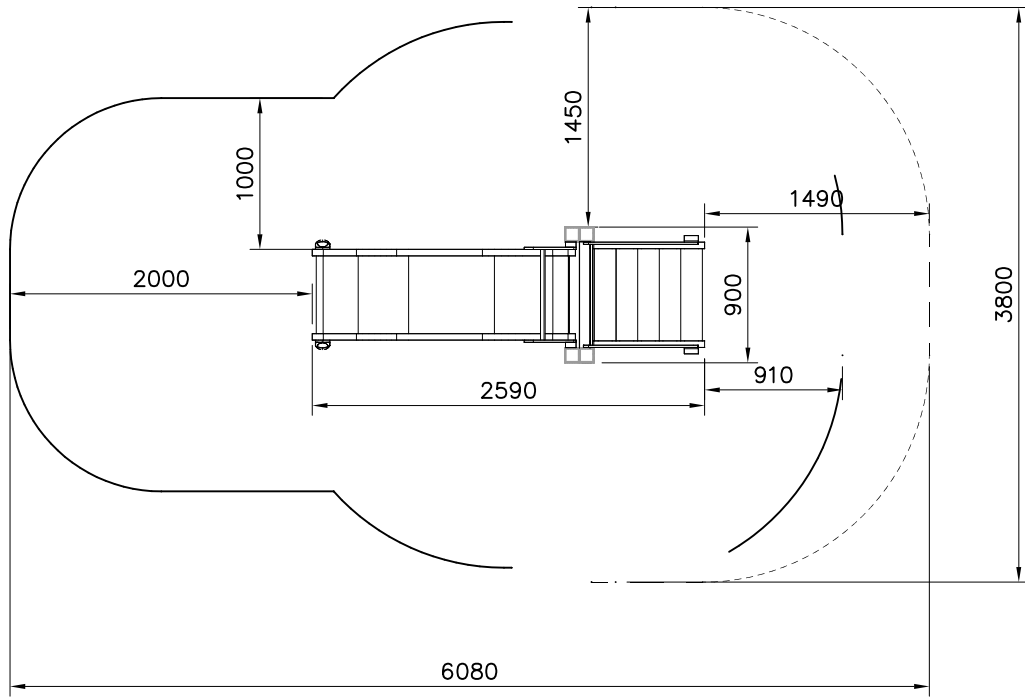
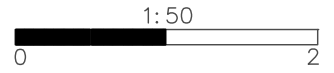


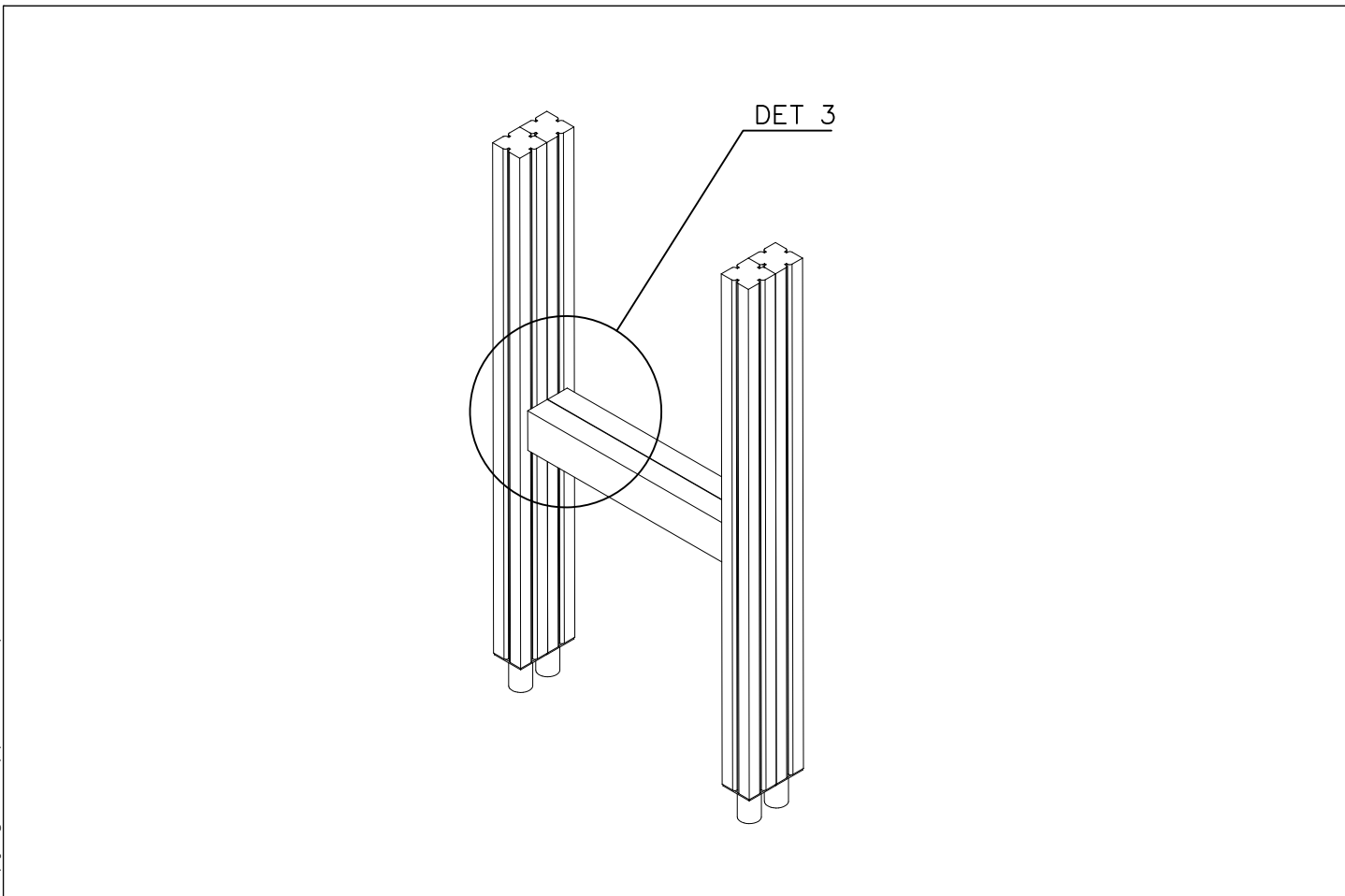
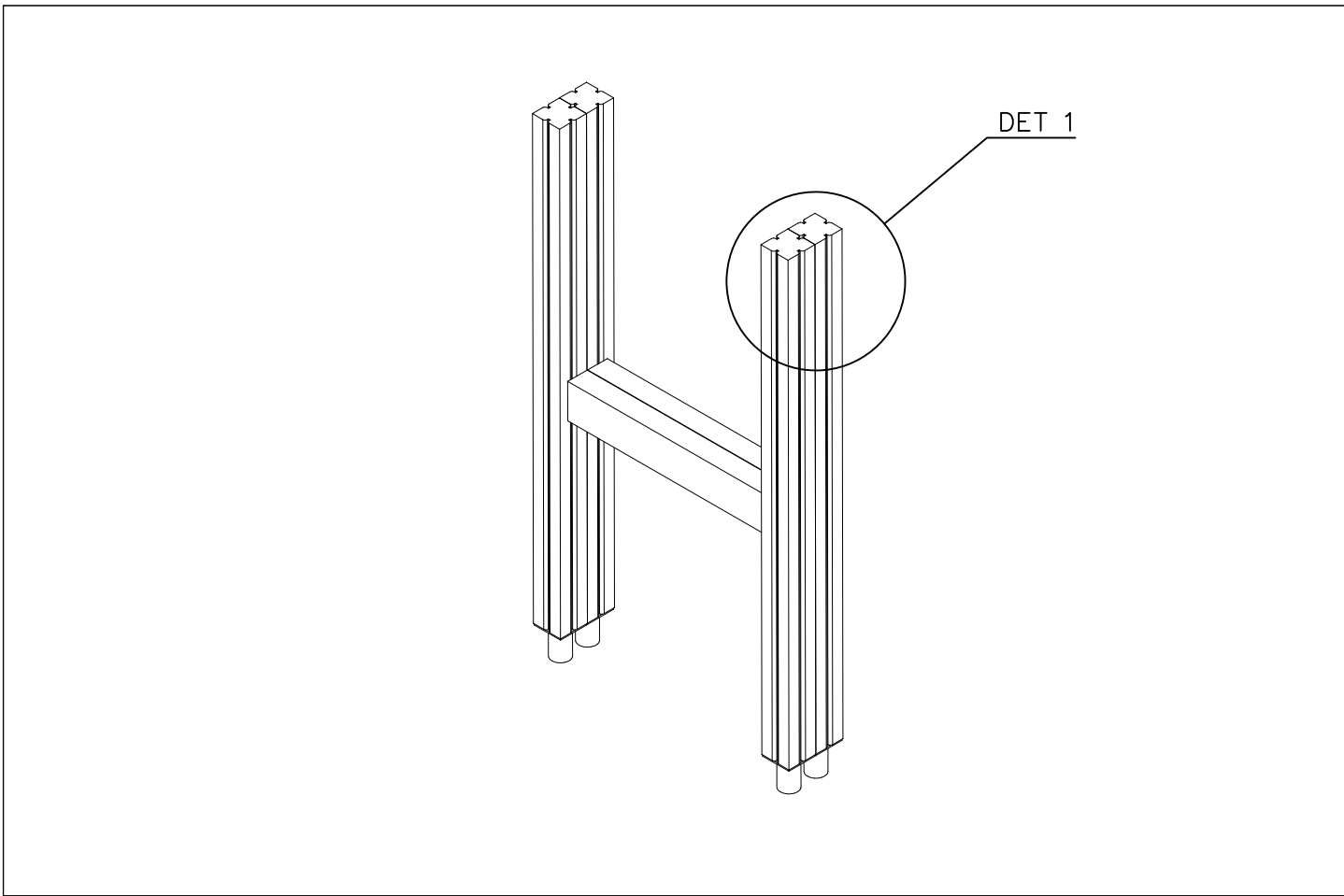
<p>M10 905104</p>	<p>S 600</p>	<p>Ø7x40 901879 Hov! Slide sheet gap Liukupelti rako.</p>
<p>M12x40 Ø24/13</p>	<p>100 S 600</p>	
	<p>909511 M8 Ø24/8.4 006212 M8x40 Ø24/8.4</p>	<p>Sand 0.2-2 mm/ Gravel 2-8 mm</p> <p>100 300 600</p>

— EN/AS Impact Area 16.3 m²

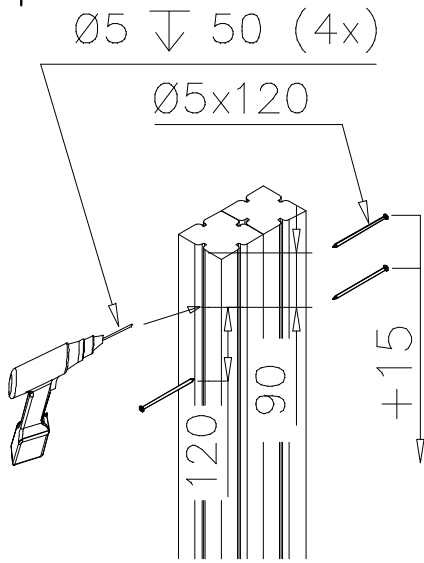
- - - Falling Space 18.5 m²

Max Falling Height 1000 mm

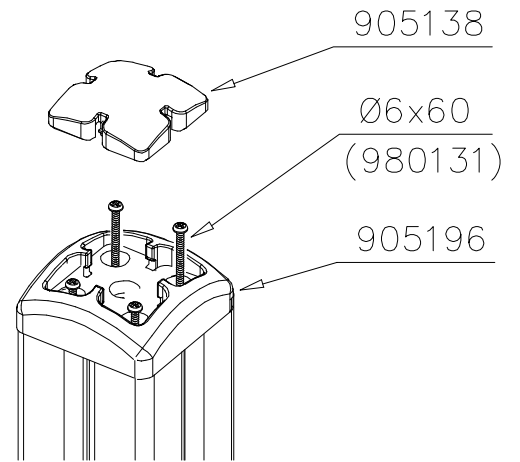




DET 1



DET 2



DET 3

