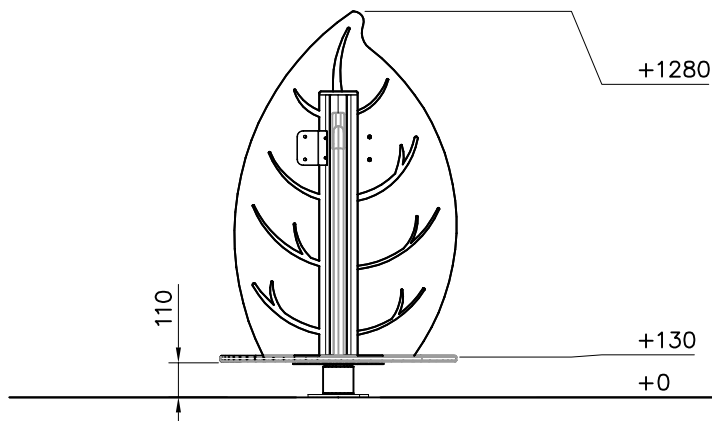
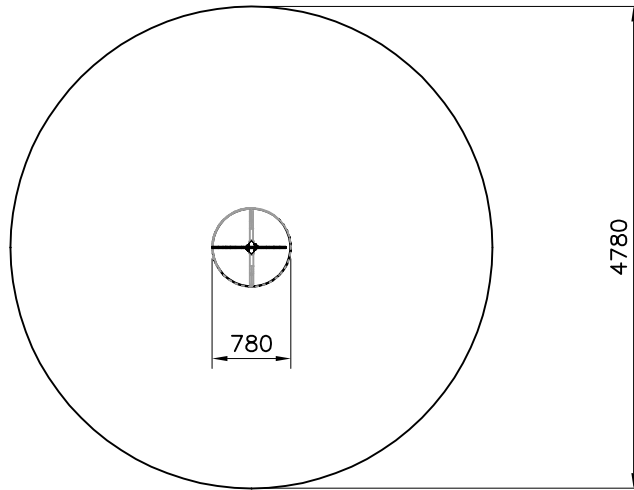


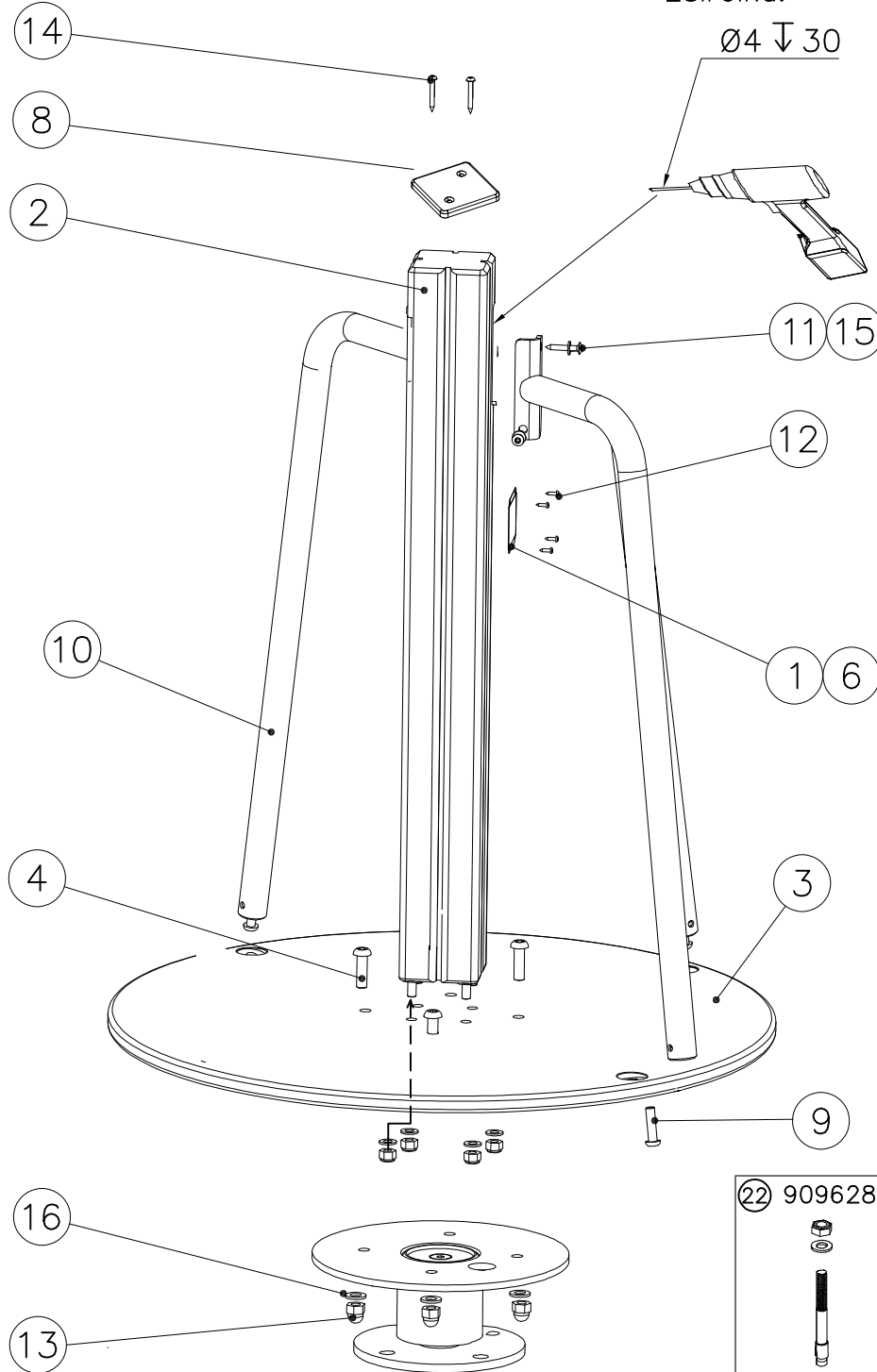
—— EN Impact Area 18 m<sup>2</sup>  
---- Falling Space 18 m<sup>2</sup>  
Max Falling Height 1000 mm



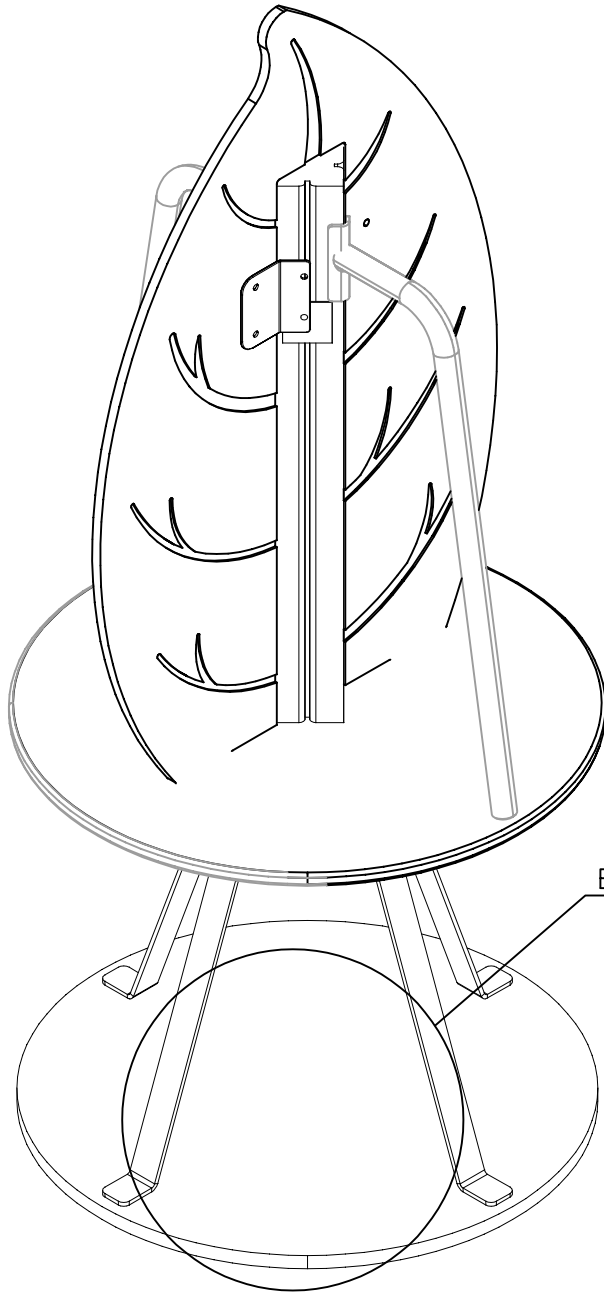
Note:  
Pre-Drill hole.

huom!  
Esireikä.

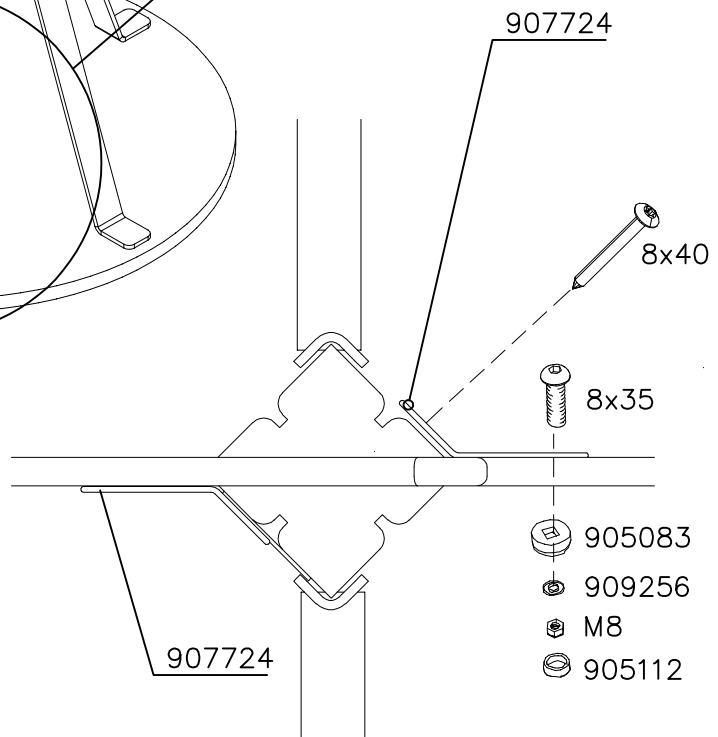
Ø4 ↓ 30

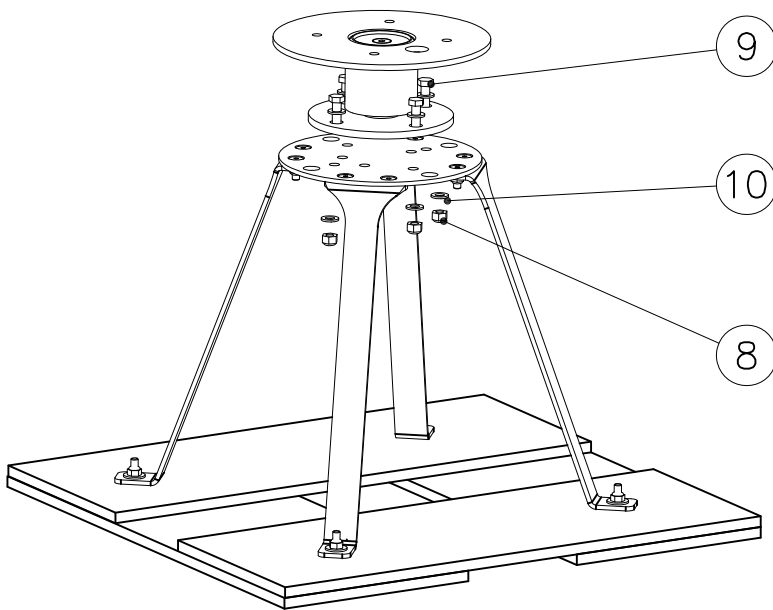
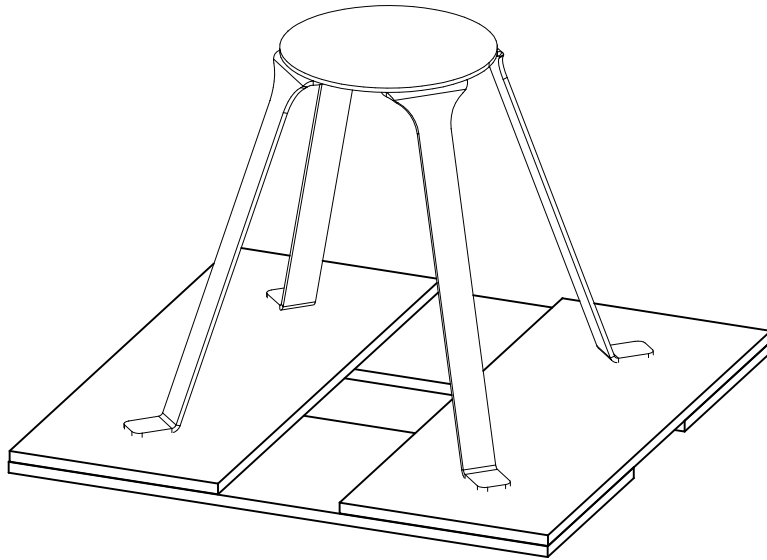


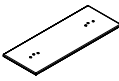

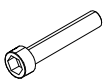


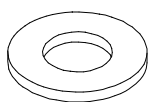

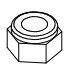
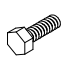

① 702286	PCS	② 706499	PCS
1		1	
90x50		93x93x860	
③ P10167	PCS	④ 900367	PCS
1		4	
20xØ780		M12x40	
⑤ 902012	PCS	⑥ 902487	PCS
1		1	
300x110		65x65x0.5	
⑦ P10168	PCS	⑧ 706481	PCS
1		1	
15x780x1100		GREEN -707	
⑨ 907727	PCS	⑩ 907728	PCS
2		2	
M10x40		42x808x327	
⑪ 909256	PCS	⑫ 909506	PCS
12		4	
Ø16/8.4x1.6		Ø3.5x13	
⑬ 909644	PCS	⑭ 980107	PCS
4		2	
M12		Ø6x60	
⑮ 980128	PCS	⑯ 980154	PCS
8		4	
Ø7x40		Ø24/13	
⑰ 905083	PCS	⑱ 907724	PCS
4		2	
Ø32		3x115x110	
⑲ 909855	PCS	⑳ 905112	PCS
4		4	
Ø8x35		Ø22	
⑳ 909855	PCS	㉑ 980150	PCS
4		4	
Ø8x35		M8	
㉑ 980150	PCS	㉒ 909628	PCS
4		4	
M8		M10x100	



BASE\_CAROUSEL\_UNDERGROUND





① 707138	PCS	② 900958	PCS
	4		8
290x750		M10x30	
③ 902232	PCS	④ 905993	PCS
	4		1
M10x55			
⑤ 906000	PCS	⑥ 909255	PCS
	4		8
		Ø30/10.5	
⑦ 980161	PCS	⑧ 909248	PCS
	12		4
M10		M12	
⑨ 909347	PCS	⑩ 980154	PCS
	4		8
M12x35		Ø24/13	10

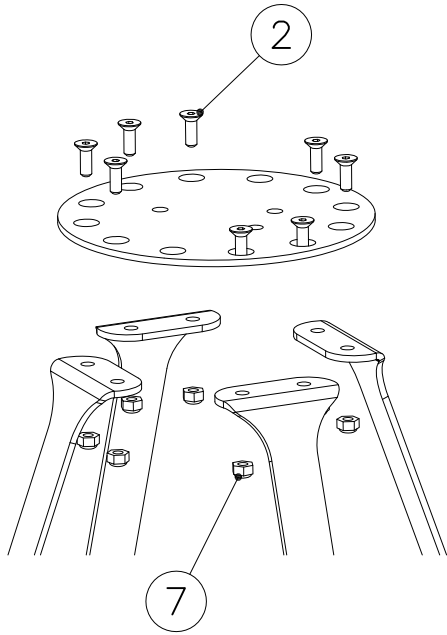
HOX:

– Kasattava kokonaisuutena ennen maahan asennusta.

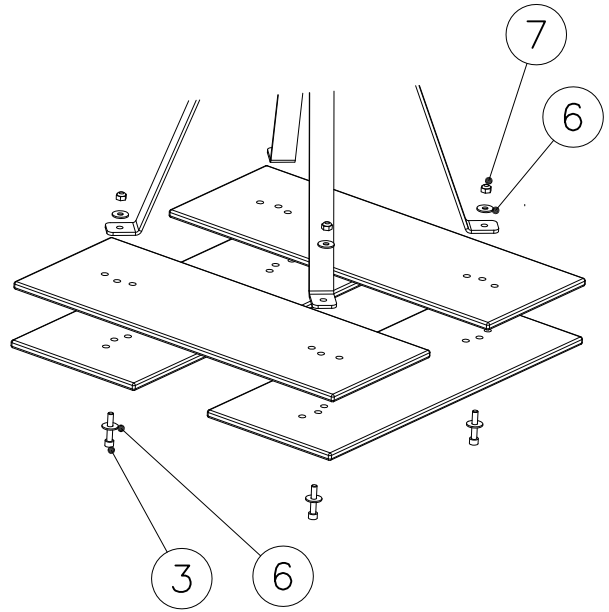
NOTE:

– Must be assembled entirely before ground installation.

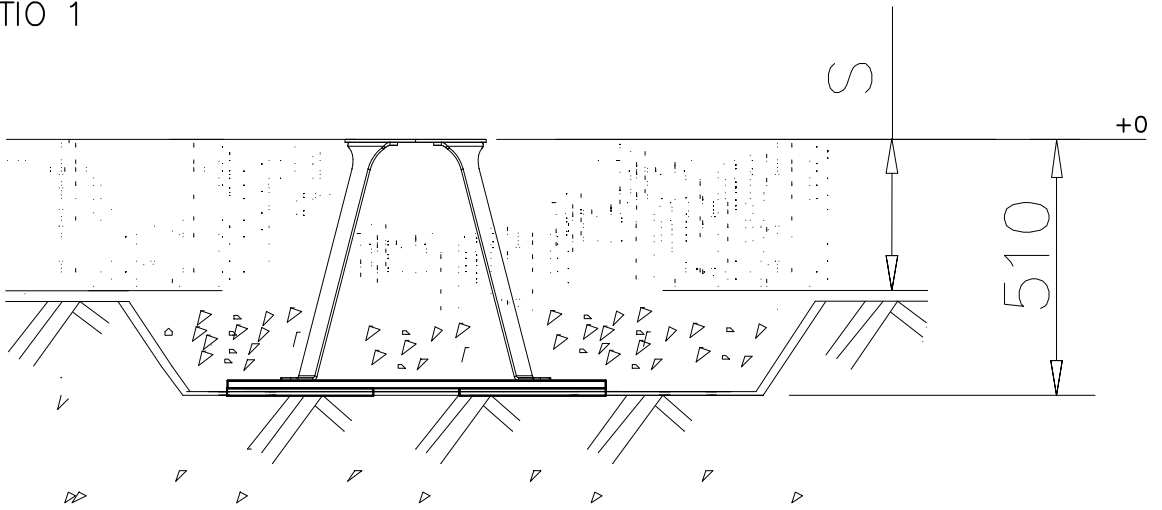
DET 1



DET 2



DET 3 OPTIO 1



DET 3 OPTIO 2 (WITH CONCRETE)

