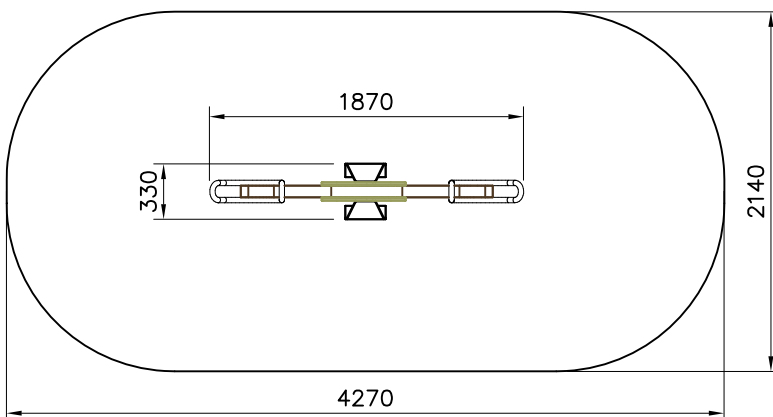


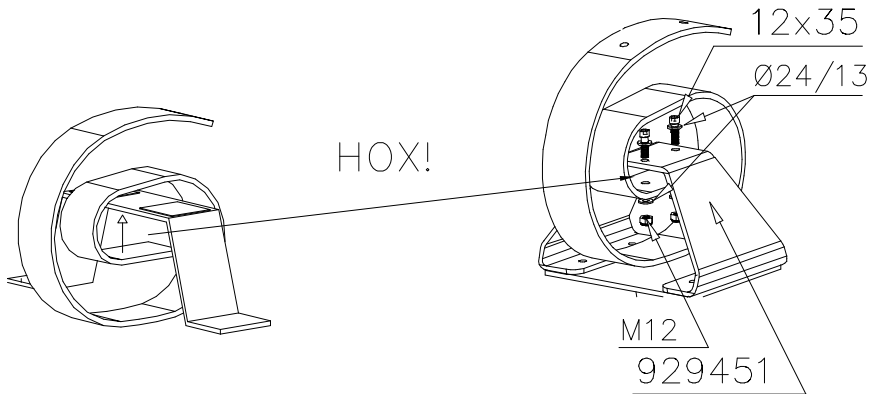
EN Impact Area 8.3 m<sup>2</sup>

Max falling height 590 mm.

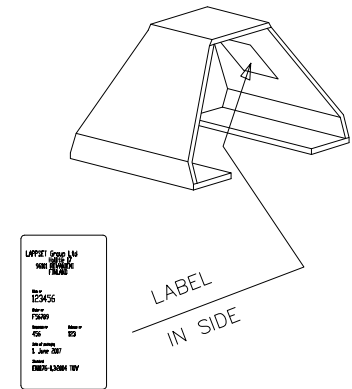


|                             |          |                                    |          |
|-----------------------------|----------|------------------------------------|----------|
| ① 706737<br><br>1500x510x90 | PCS<br>1 | ② 706738<br>-707<br><br>20x140x500 | PCS<br>2 |
| ③ 906511<br><br>M12         | PCS<br>2 | ④ 909146<br><br>M12x35             | PCS<br>2 |
| ⑤ 909851<br><br>M8x55       | PCS<br>8 | ⑥ 909895<br><br>479x249x134        | PCS<br>2 |
| ⑦ 929451<br><br>330x240x190 | PCS<br>1 | ⑧ 980123<br><br>Ø7x60              | PCS<br>6 |
| ⑨ 980154<br><br>Ø24/13      | PCS<br>4 | ⑩ 702341<br><br>90x50              | PCS<br>1 |
|                             | PCS      |                                    | PCS      |
|                             | PCS      |                                    | PCS      |
|                             | PCS      |                                    | PCS      |

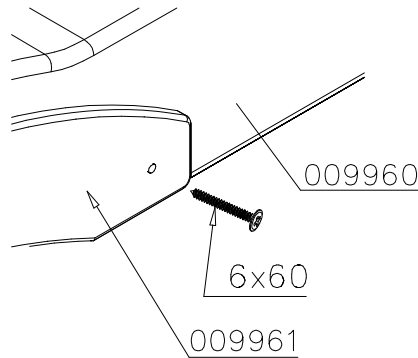
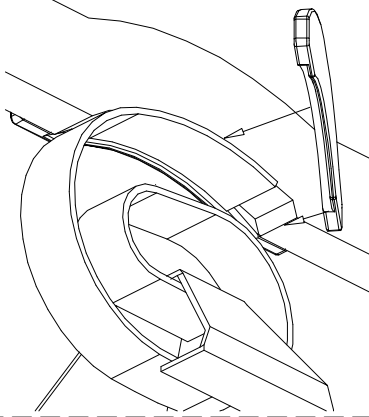
DET 1



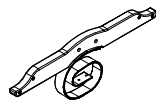
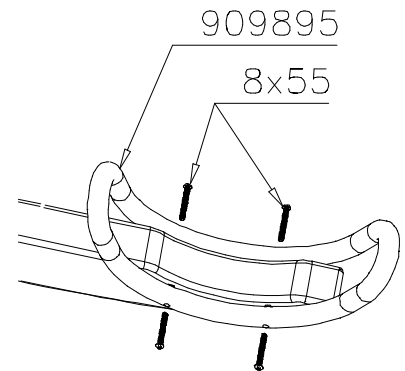
DET 2



DET 3

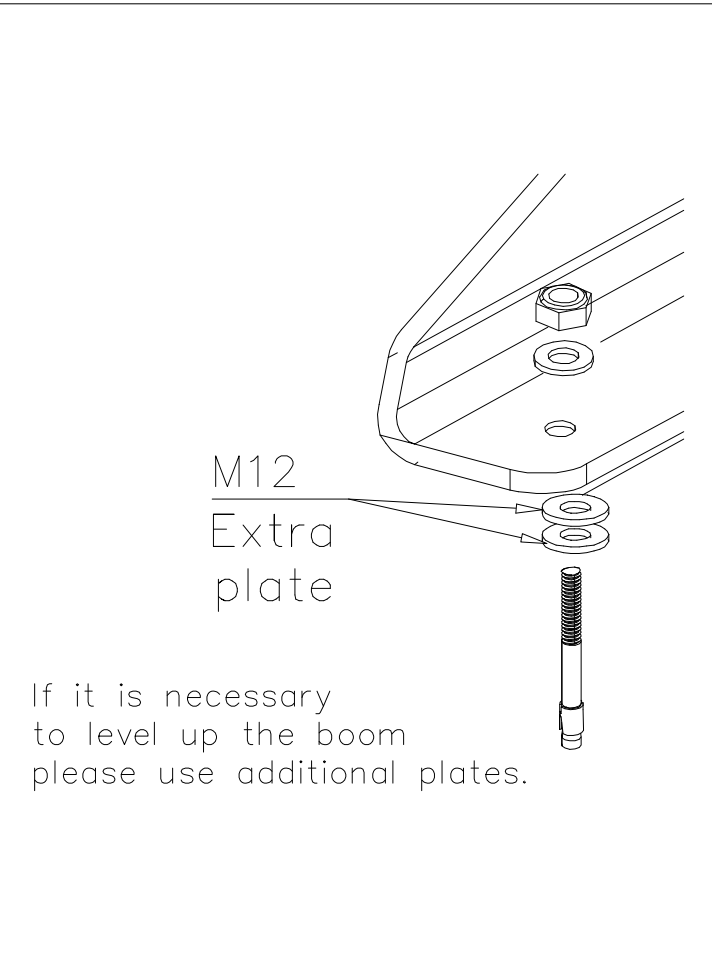
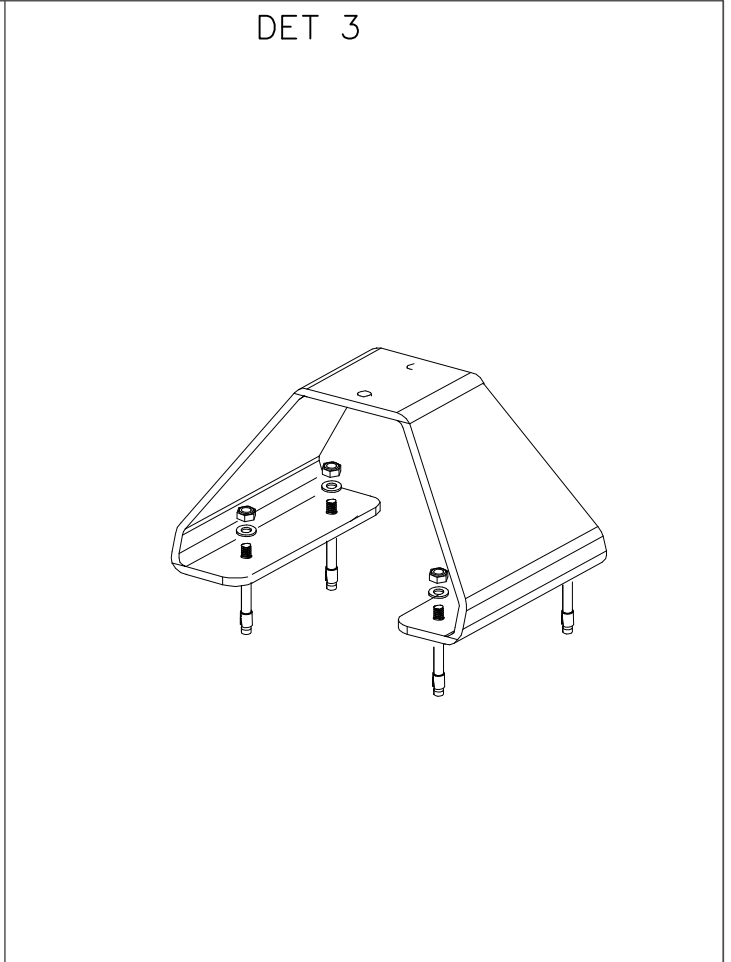
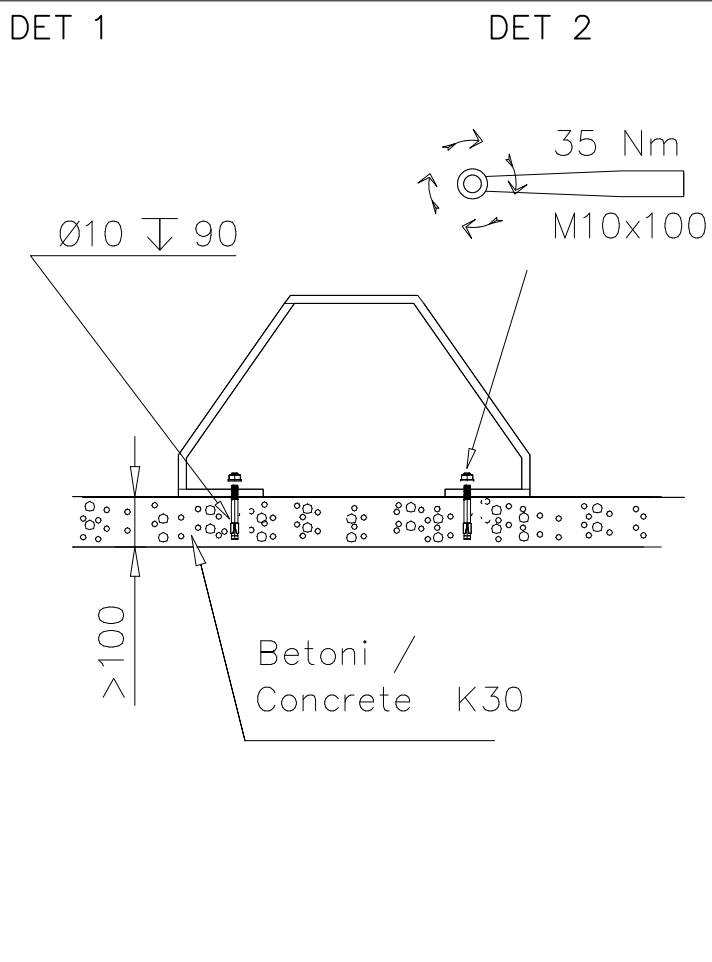




DET 4



|            |             |
|------------|-------------|
| 706737-602 | DARK BROWN  |
| 706737-603 | LIGHT BROWN |
| 706737-604 | GREY        |

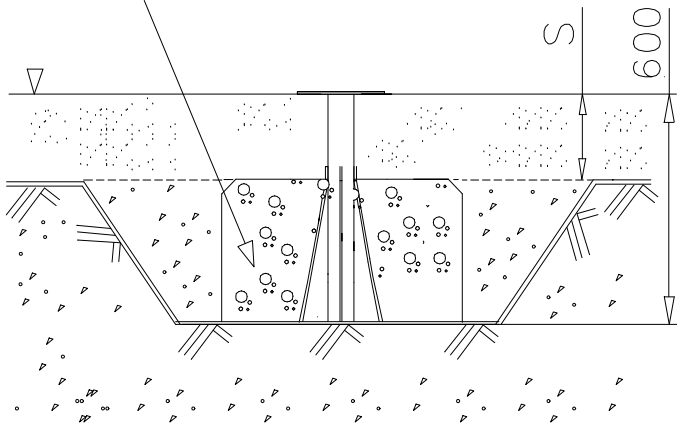
|            |            |
|------------|------------|
| 706738-701 | BLUE       |
| 706738-702 | YELLOW     |
| 706738-703 | LIME       |
| 706738-704 | DARK GREY  |
| 706738-705 | LIGHT GREY |
| 706738-706 | RED        |
| 706738-707 | GREEN      |
| 706738-708 | FUXIA      |



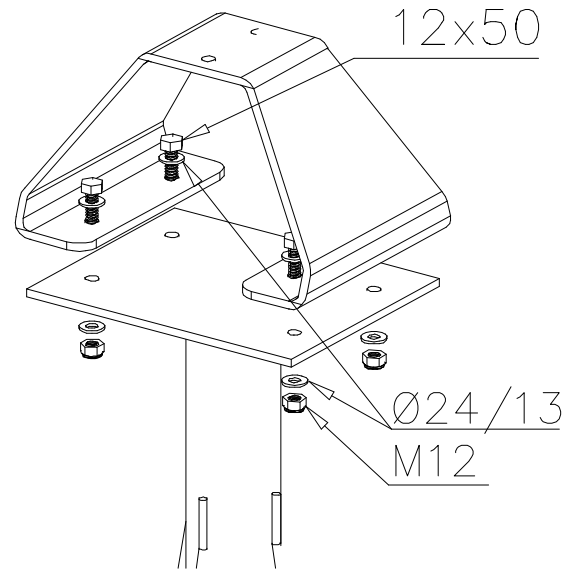
|   |     |   |     |
|---|-----|---|-----|
| ① 909628  | PCS | ② 980154  | PCS |
|  | 4   |  | 18  |
| M10x100   |     | Ø24/13  | 2   |
|   | PCS |   | PCS |
|   |     |   |     |
|   | PCS |   | PCS |
|   |     |   |     |
|   | PCS |   | PCS |
|   |     |   |     |

DET 1

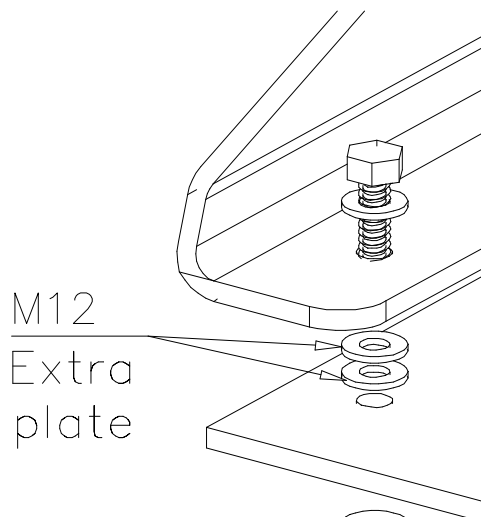
Betoni /  
Concrete K30  
800x800x300



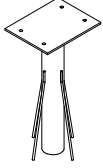



DET 2



DET 3



If it is necessary  
to level up the boom  
please use additional plates.

|   |     |   |     |
|---|-----|---|-----|
| ① 929450  | PCS | ② 906511  | PCS |
|  | 1   |  | 4   |
| 300x240x600   |     | M12   |     |
| ③ 909214  | PCS | ④ 980154  | PCS |
|  | 4   |  | 18  |
| M12x50  |     | Ø24/13  |     |
|   | PCS |   | PCS |
|   |     |   |     |
|   | PCS |   | PCS |
|   |     |   |     |