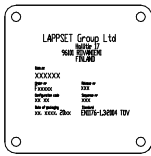

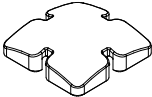
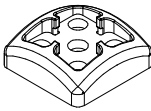
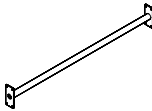
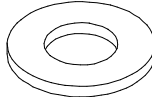
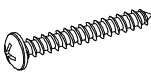

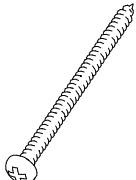
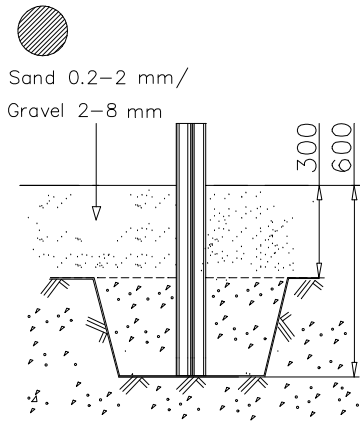
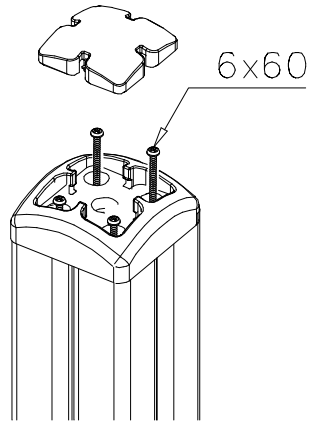


702286	PCS	706484	PCS	905138	PCS	905196	PCS	905838-216	PCS	909256	PCS
	1		2		2		2		1		8
65x65		93x93x2150		GRAY		GRAY		L 1060		Ø16/8.4	
980114	PCS	980123	PCS	980131	PCS		PCS		PCS		PCS
	4		8		8						
Ø4x20		Ø7x60		Ø6x60							

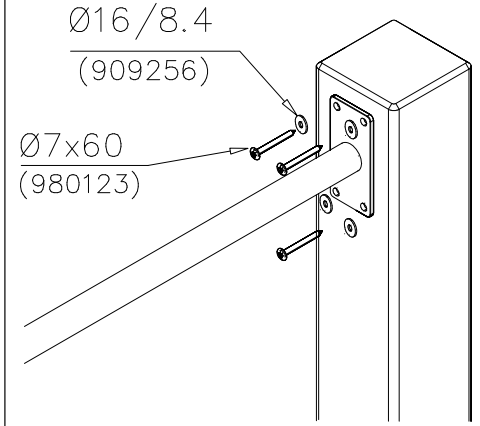
DET 1



DET 2



DET 3



EN Impact Area 11.1 m²

Falling Space 11.1 m²

Max Falling Height 1350 mm

