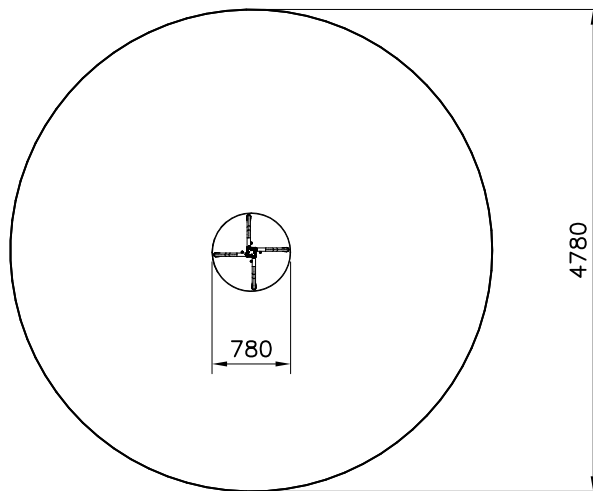

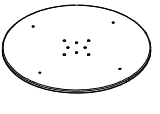
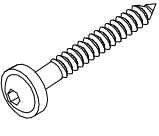

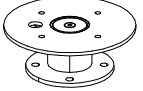
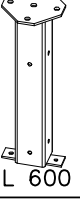
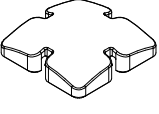
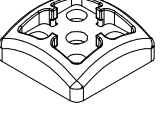
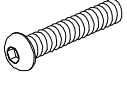

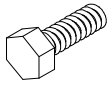

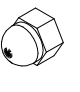
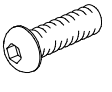

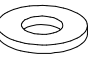

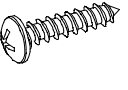


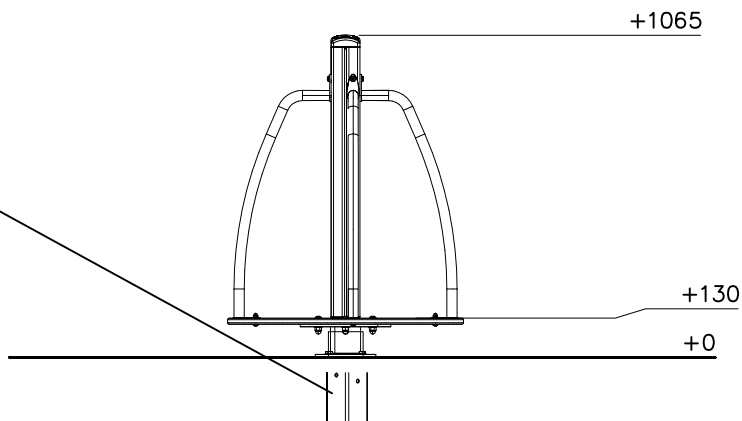
— EN Impact Area 18 m2  
 - - - Falling Space 18 m2  
 Max Falling Height 1000 mm

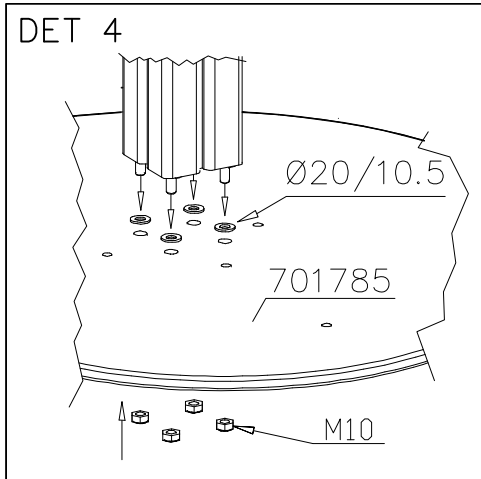
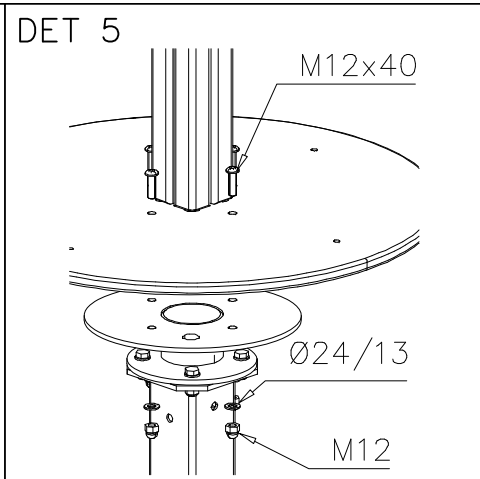
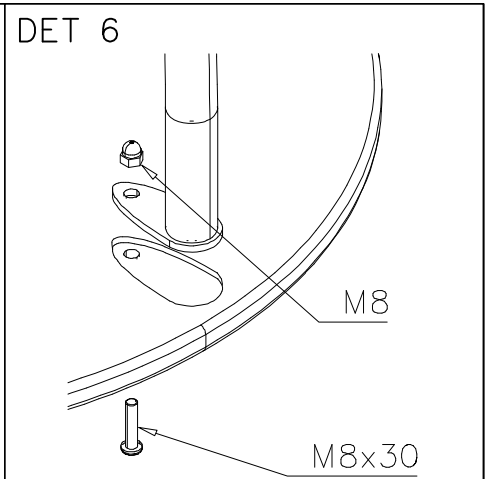
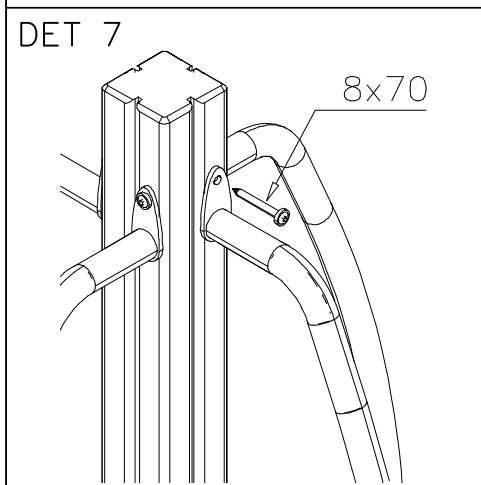
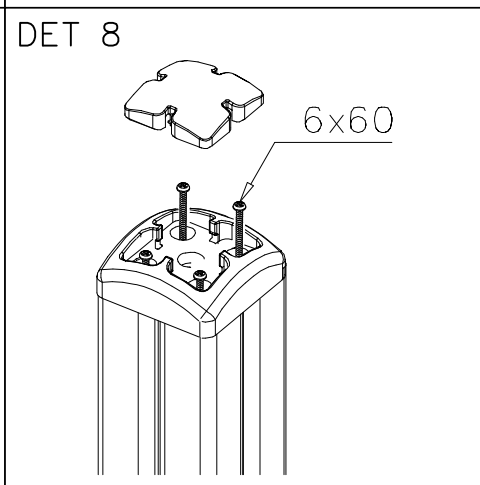


① 706499  95x95x900	PCS 1	② 706523 STAND/SIT PLATE  Ø780x20	PCS 1
③ 900240  Ø8x70	PCS 4	④ 07728-21  Ø33x810x324	PCS 4
⑤ 902012  300x110	PCS 1	⑥ 903107  L 600	PCS 1
⑦ 905138  GRAY	PCS 1	⑧ 905196  GRAY	PCS 1
⑨ 900367  M12x40	PCS 4	⑩ 909248  M12	PCS 4
⑪ 909347  M12x35	PCS 4	⑫ 909644  M12	PCS 4
⑬ 909633  M8	PCS 4	⑭ 909852  M8x30	PCS 4
⑮ 980131  Ø6x60	PCS 4	⑯ 980154  Ø24/13	PCS 12
⑰ 702286  90x50	PCS 1	⑱ 909506  Ø3.5x13 A2	PCS 4

<p>DET 1 ( OPTION 3 )</p>	<p>DET 2</p>	<p>DET 3</p>
<p>DET 1</p>		

903107



<p>DET 4</p>  <p>Ø20/10.5 701785 M10</p>	<p>DET 5</p>  <p>M12x40 Ø24/13 M12</p>	<p>DET 6</p>  <p>M8 M8x30</p>
<p>DET 7</p>  <p>8x70</p>	<p>DET 8</p>  <p>6x60</p>	