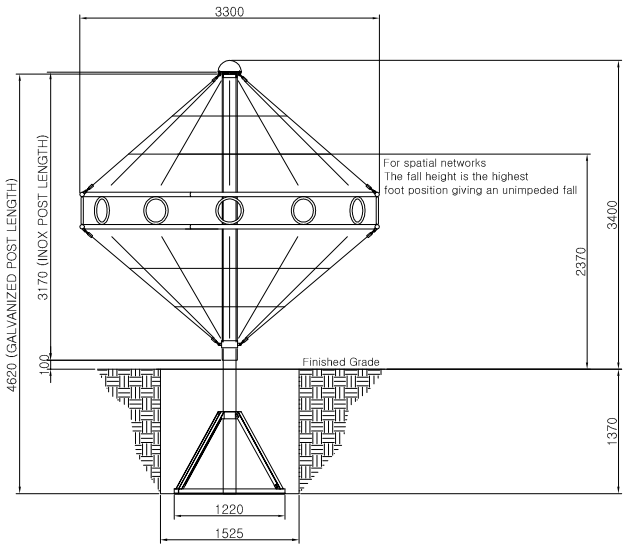


⊙ LAYOUT DRAWING
SCALE 1/30

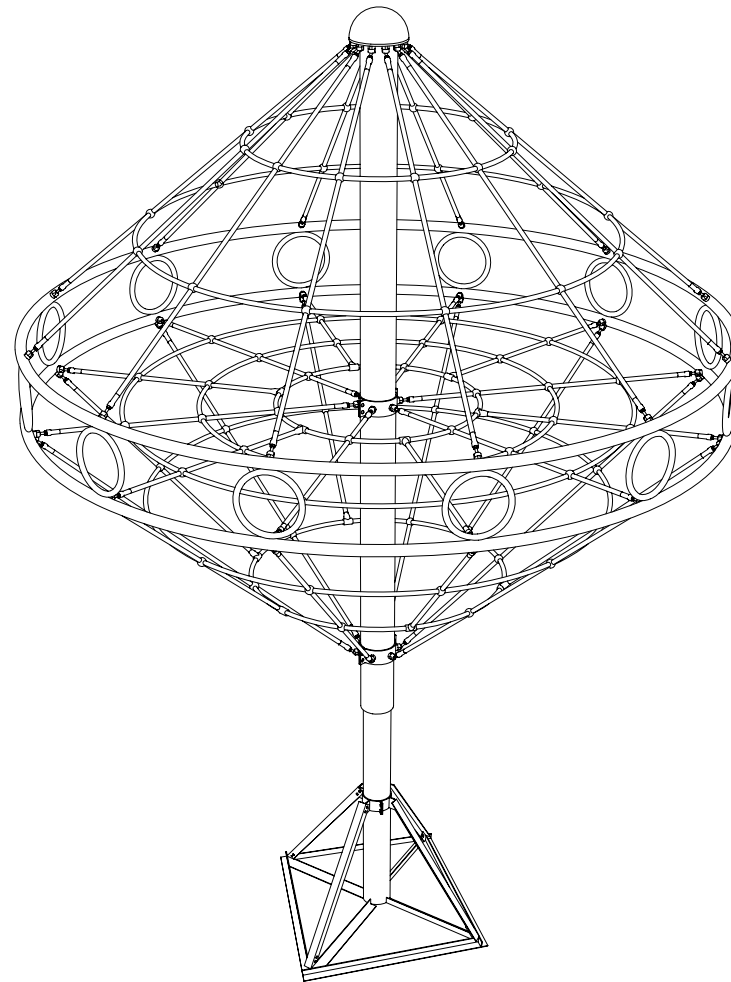


⊙ FRONT VIEW
SCALE 1/30

NO.	Name	Qty	Description	Size	Material	Remarks
1	ASPO	1	GALVANISED POST	Φ139.8 * 4620mm	Steel	
2	ASPI	1	INOX POST	Φ165.2 * 3250mm	Stainless	UV polyester powder coating
3	CP26	1	POST CAP	Φ260 * 130mm	Stainless	UV polyester powder coating
4	ASTN	1	UPPER NET	ROPEΦ20	Nylon Coating+Nylon Seal	
5	ASSN	1	SPIDER NET	ROPEΦ20	Nylon Coating+Nylon Seal	
6	ASLN	1	LOWER NET	ROPEΦ20	Nylon Coating+Nylon Seal	
7	ASTR	4	ALUMINIUM RING ASS'Y	Φ50 *3T * Φ3300	Aluminium	UV polyester powder coating
8	ASNJ5	8	NYLON JOINT	Φ50 * 95mm	Nylon	
9	CLD2	2 SET	HALF S.S COLLAR	Φ165.2 * 75mm	Steel	UV polyester powder coating
			BOLT,NUT			
10	EBM16	1	EYE BOLT	M16	Stainless	
11	M1025	3	HSCS BOLT	M10 * 25mm	Stainless	cap assembly
12	M1035	8	HSCS BOLT	M10 * 35mm	Stainless	collar assembly
13	10NN	23	NYLON NUT	M10	Stainless	
	10MW	28	PLAN WASHERS	M10	Stainless	
14	M8N25	16	ALUMINIUM RING FIX BOLT	M8 * 25mm	Stainless	ring assembly
15	M8N33	16	ALUMINIUM RING FIX NUT	M8 * 33mm	Stainless	
			BASE			
16	APBS	1	GALVANISED BASE	1220mm * 1220mm	Steel	Galvanized
17	AABR	4	ANGLE BRACE	4.5T * 1075mm	Steel	Galvanized
18	CLB3	1 SET	BASE HALF COLLAR	Φ139.8 * 75mm	Steel	Galvanized
19	12M35	20	BOLT	M12 * 35mm	Steel	Galvanized
20	12MW	20	SPRING WASHERS	M12	Steel	Galvanized
21	GSSP	1	TOUCH UP SPRAY			

GSWeb Playground Equipment

1046-3, Najeon-ri, Saengnim-myeon,
Gimhae-si Gyeongsangnam-do,
621-821, Republic Of Korea
Tel) +82. 55. 326. 9096~7
Fax) +82. 55. 326. 9022
E-mail) gswebinfo@chol.com
Web site) www.gsweb21.com



Features

The Spacecraft launches the merry-go-round into the future with a space-age look. Children love the flying-saucer design that helps their imaginations fly into orbit. Our special bearing system controls the rotation speed so that the children can safely enjoy the same exhilarating experience as a merry-go-round.

The GS-SC2300 features **GS Web Technology** which includes the highest steel content and the strongest connection materials in the industry, including a steel-wire core in our edge ropes and connection points crushed in place with over 75 tons of pressure to ensure long life of the games and maximum safety for the children.

GS Web Rotating Climbers help bring movement, balance, exercise and fun back into the playground.

Ages: 6 to 12 years

Capacity: 37 children

Size: D: 10' 10" / 3.30m

H: 11' 2" / 3.40m

Use zone: D: 30' 6" / 9.30m

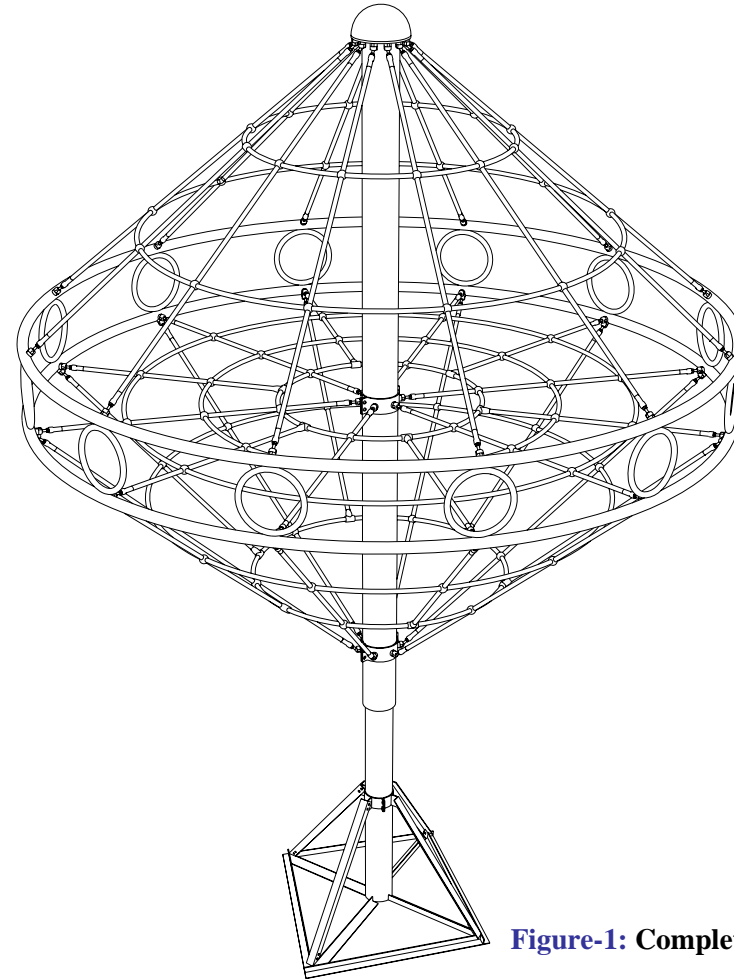


Figure-1: Completed Spacecraft

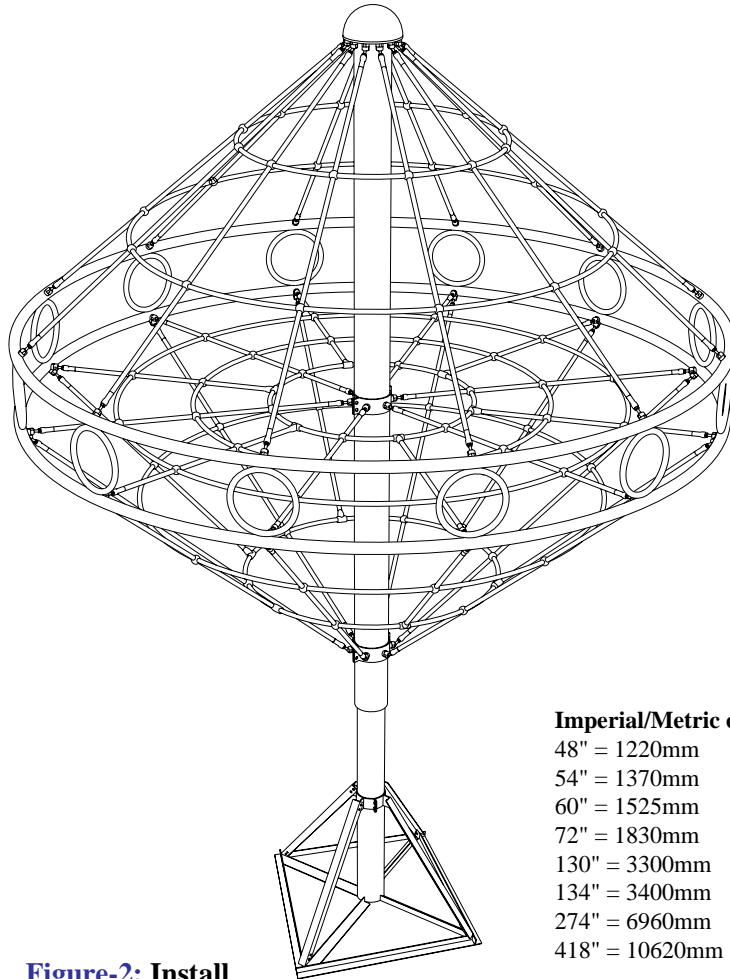


Figure-2: Install

Imperial/Metric conversion:

- 48" = 1220mm
- 54" = 1370mm
- 60" = 1525mm
- 72" = 1830mm
- 130" = 3300mm
- 134" = 3400mm
- 274" = 6960mm
- 418" = 10620mm

Safety area

The requirements for space and safety clearances are taken from BS-EN 1176-1 / ASTM-F1487 / CSA Z614
The use zone for stationary play equipment shall extend no less than 72 in. (1830mm) from all sides of the play structure.

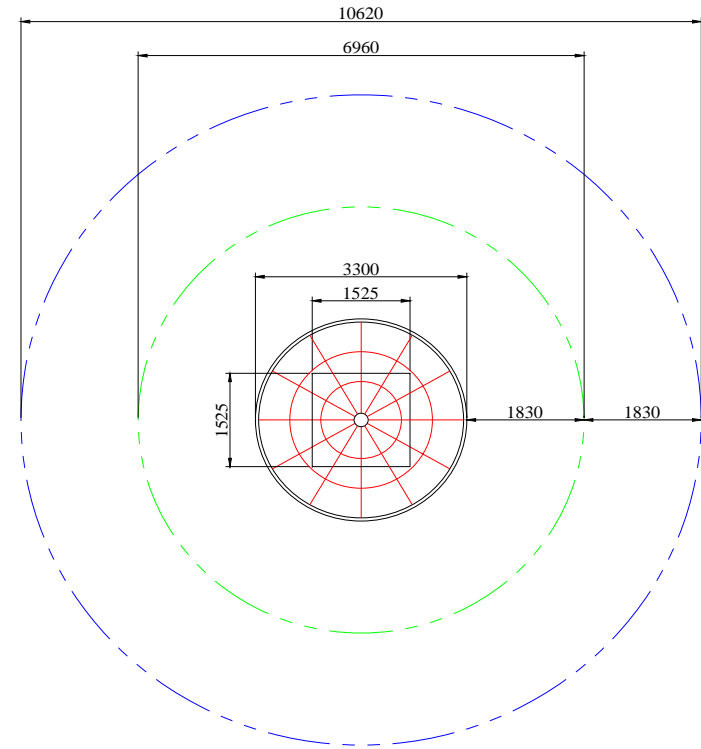
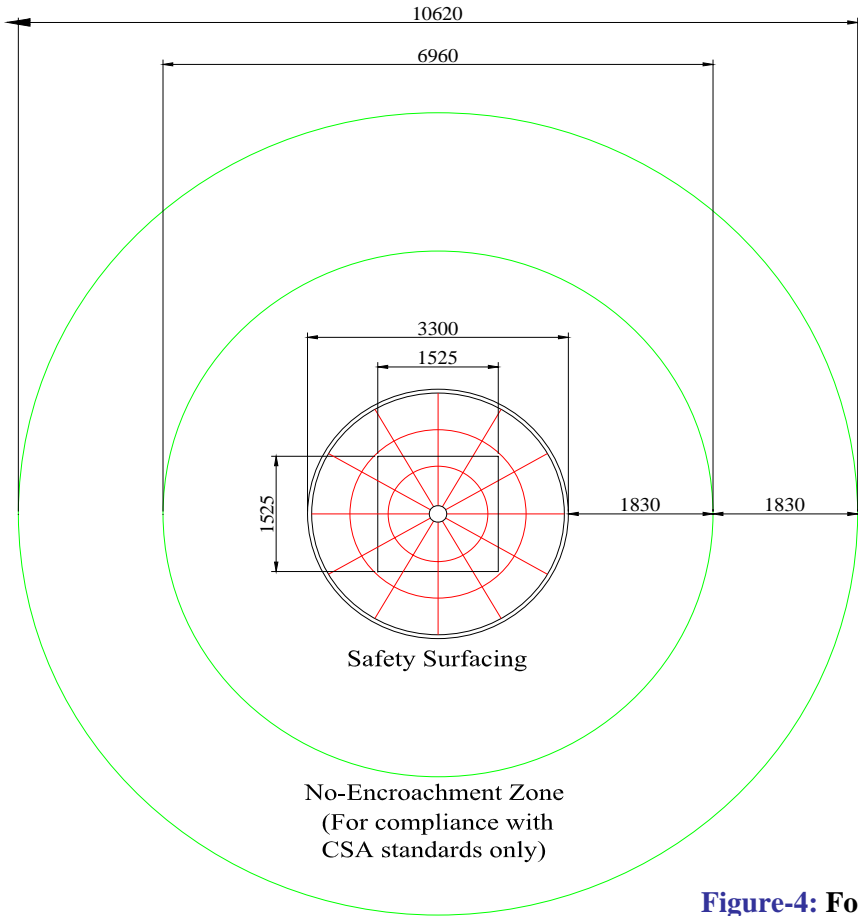
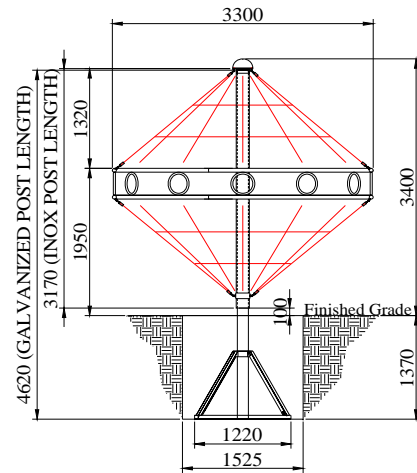


Figure-3: Safety area



Foundation

Measure location of game and dig a hole 5' x 5' x 4' 6" deep centered on the center of the game.



Imperial/Metric conversion:

- 48" = 1220mm
- 54" = 1370mm
- 60" = 1525mm
- 72" = 1830mm
- 130" = 3300mm
- 134" = 3400mm
- 274" = 6960mm
- 418" = 10620mm

Figure-4: Foundation layout

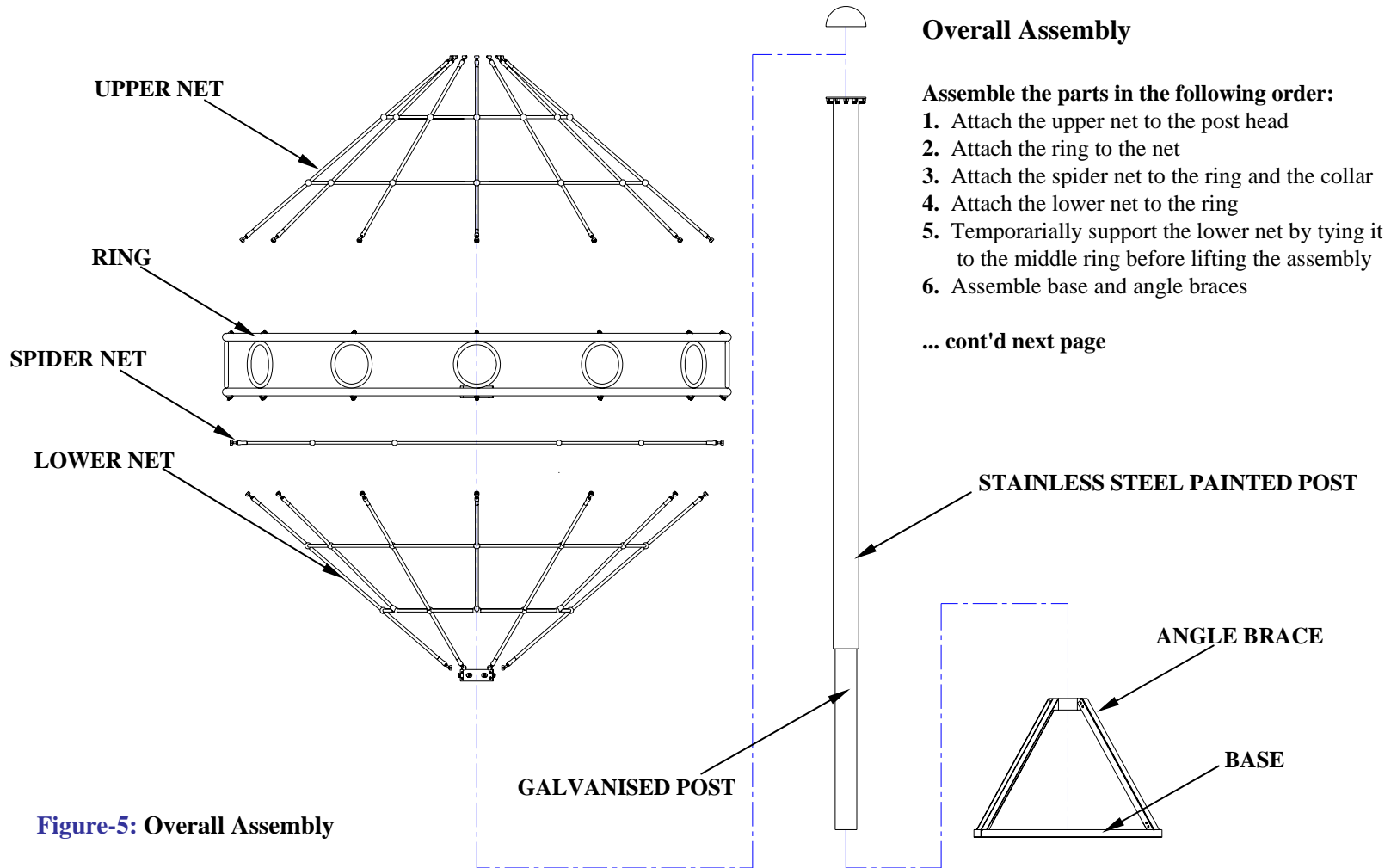
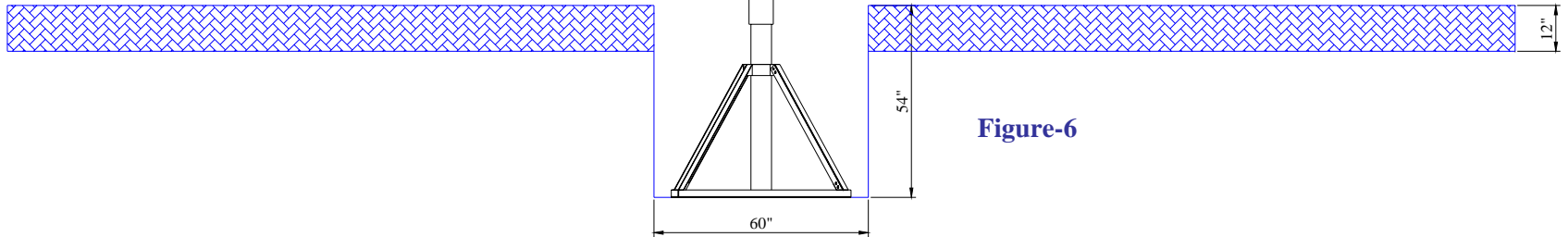
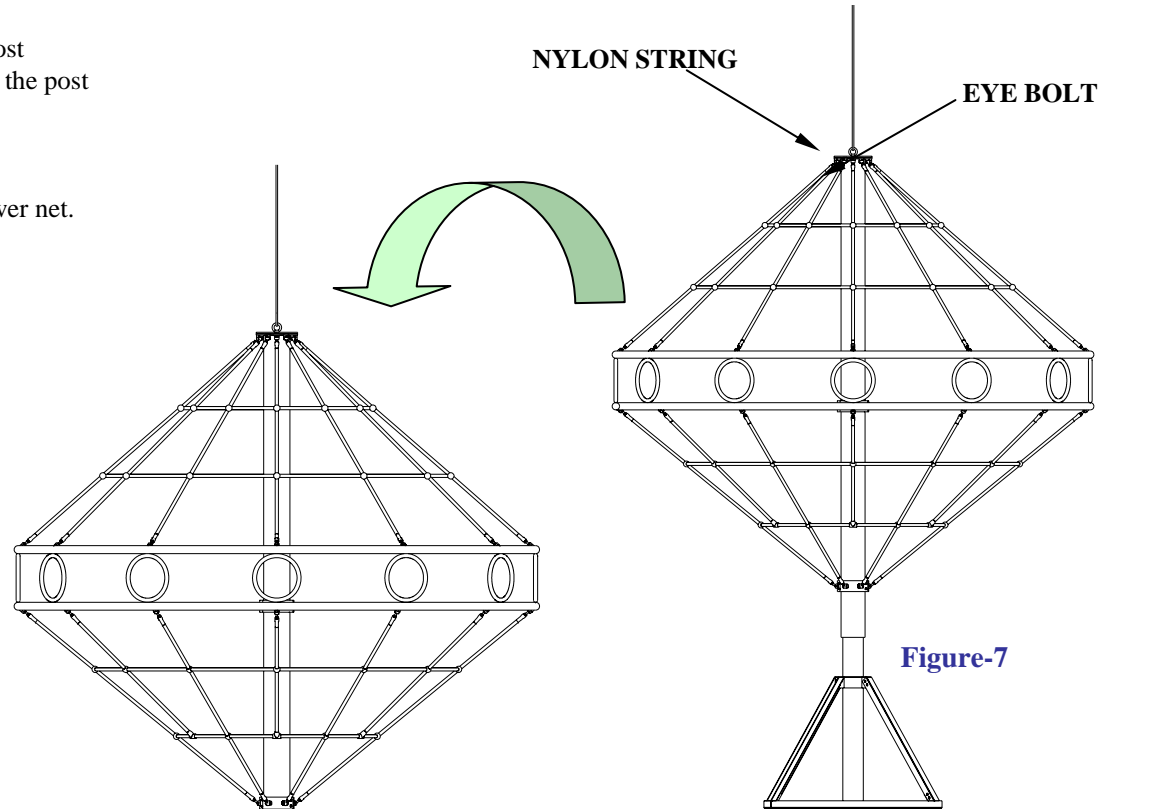
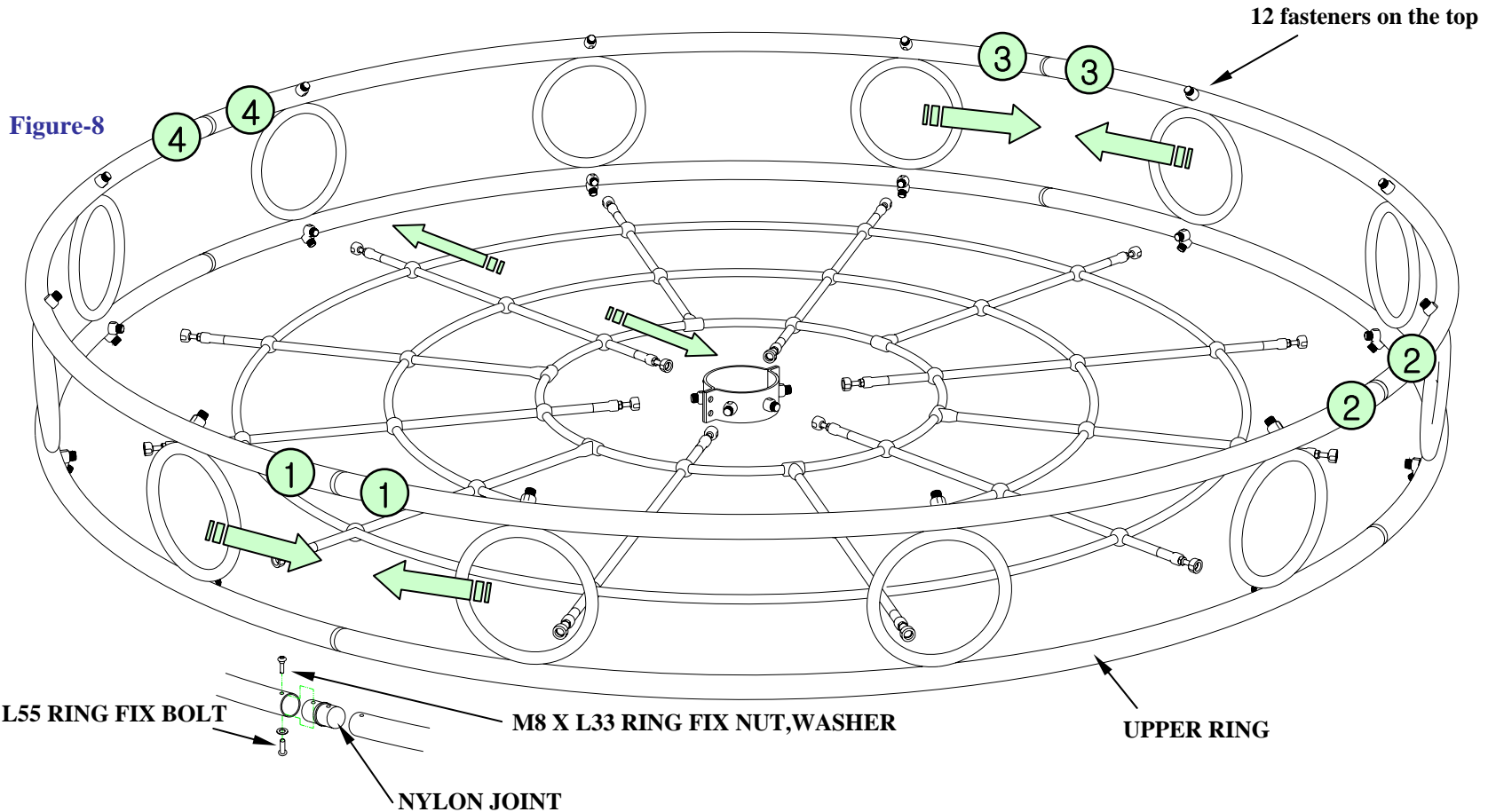


Figure-5: Overall Assembly

7. Screw the eye bolt to the top of the galvanised post
8. Lift the assembly and place in the hole, inserting the post into the pre-assembled base.
9. Level the post and fill with excavated ground
10. Install the protective surface
11. Assemble the lower ring and deck, attach to lower net.
12. Attach deck to collar on the post
13. Remove the eye bolt and install the cap



Assemble the ring at the net with the nylon joint (1+1, 2+2, 3+3, 4+4)
Align the opening in the net with the ring fasteners



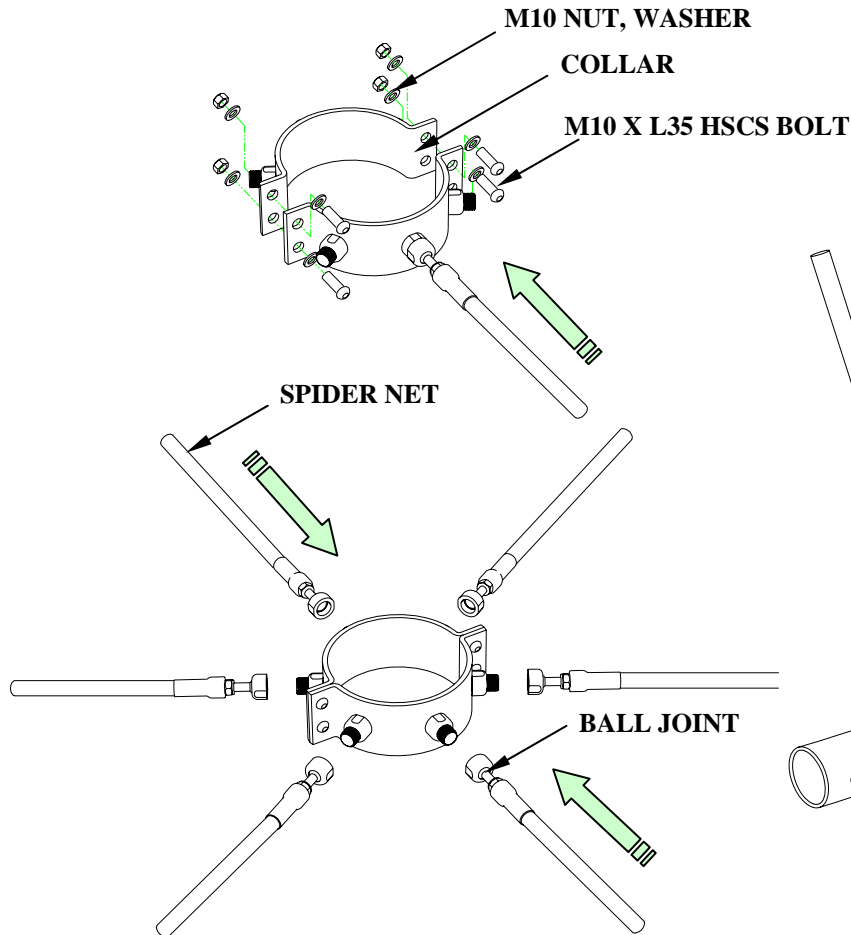


Figure-9

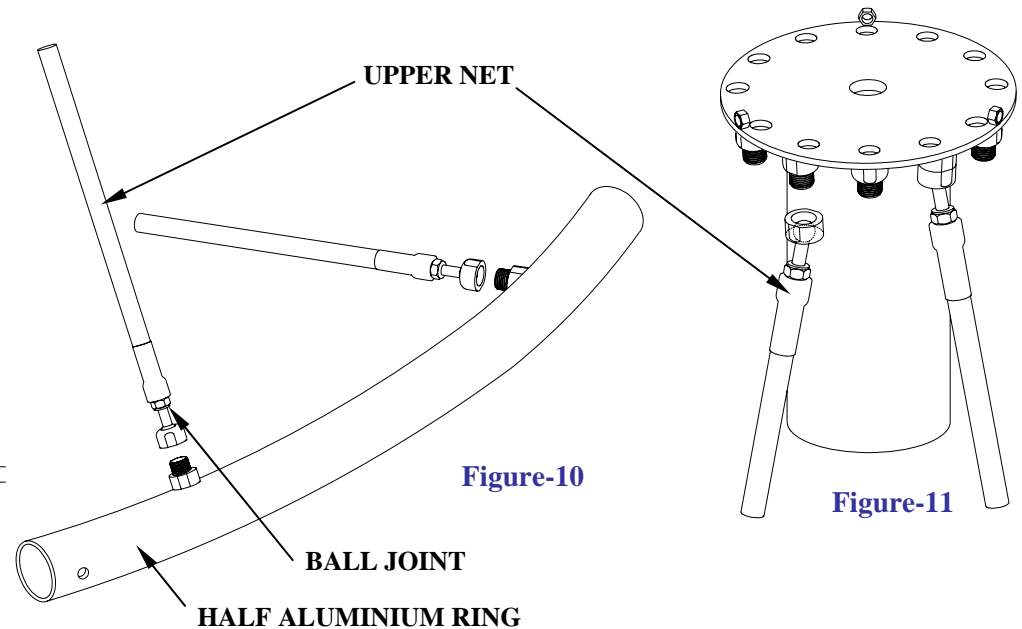
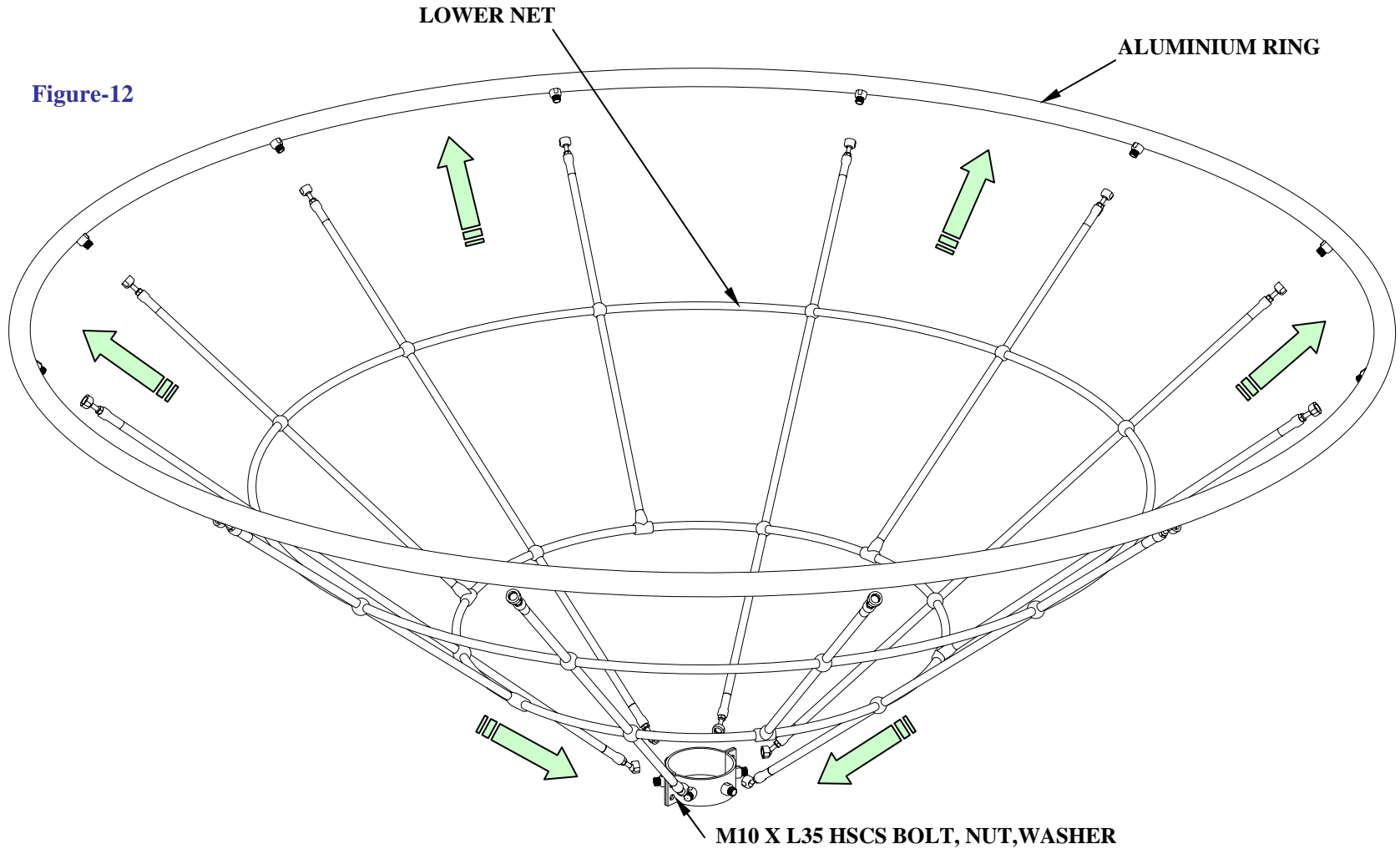


Figure-10

Figure-11

**Attach the ring to the upper net
Attach the spider net to the ring and the collar**

Figure-12



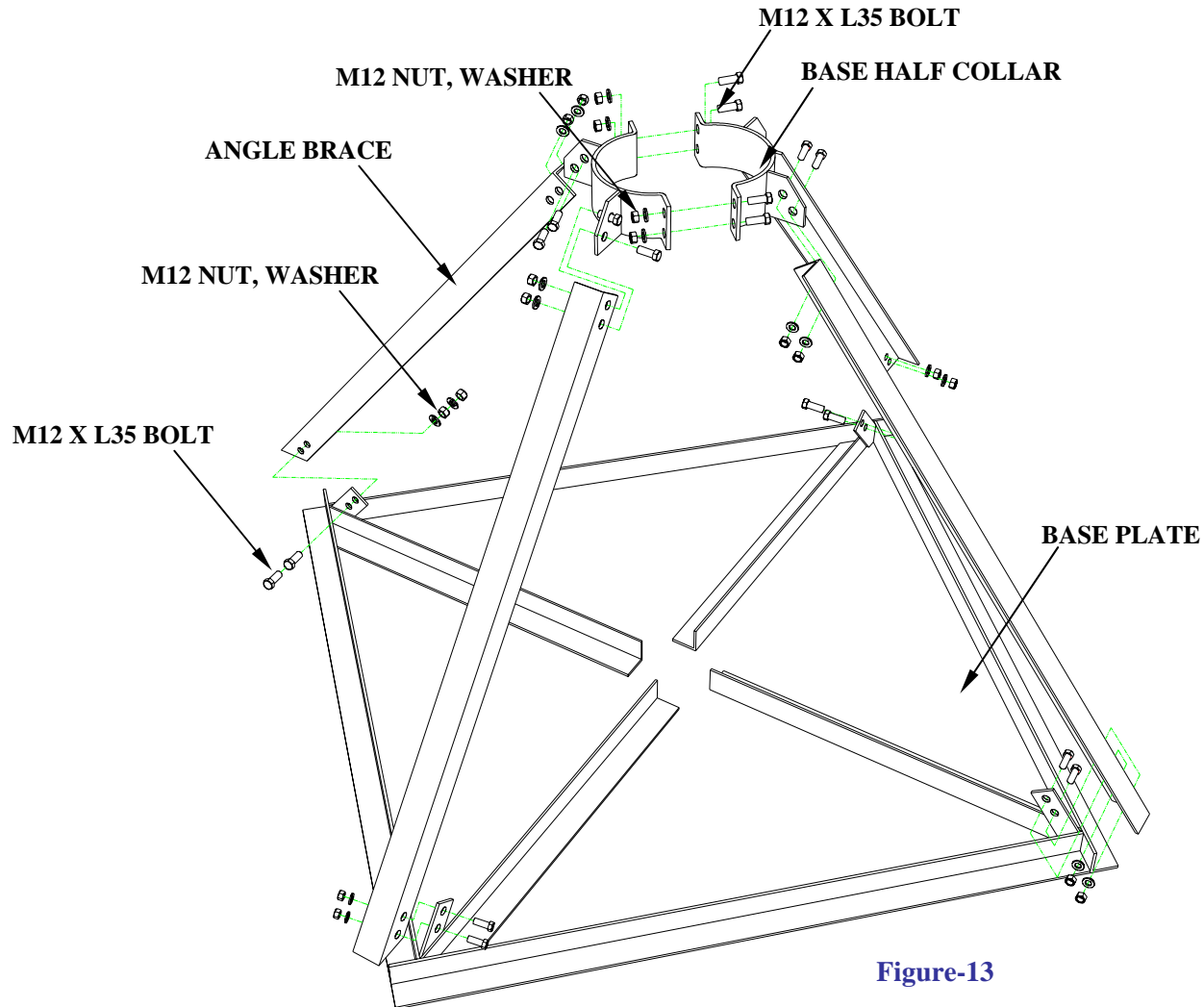
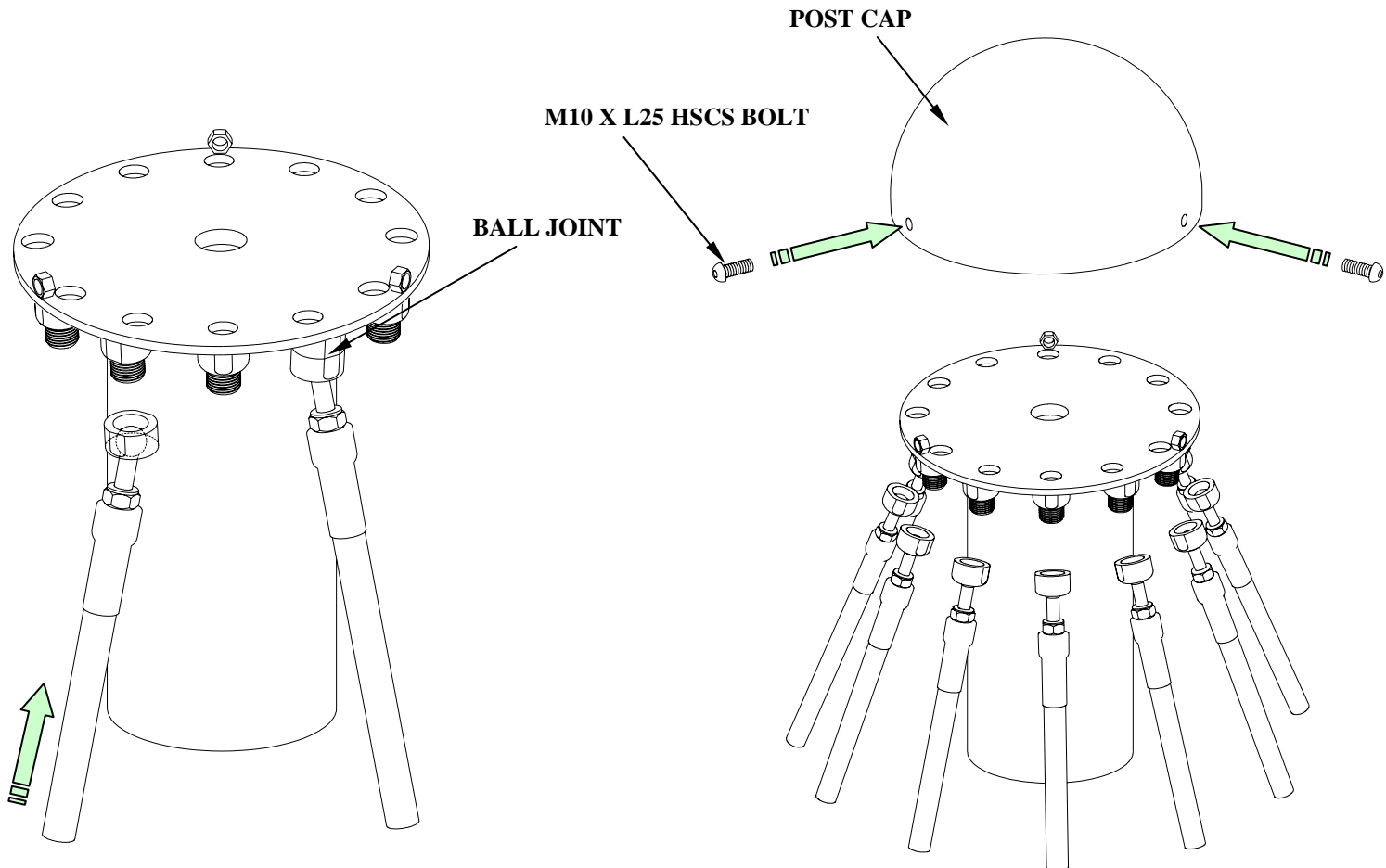
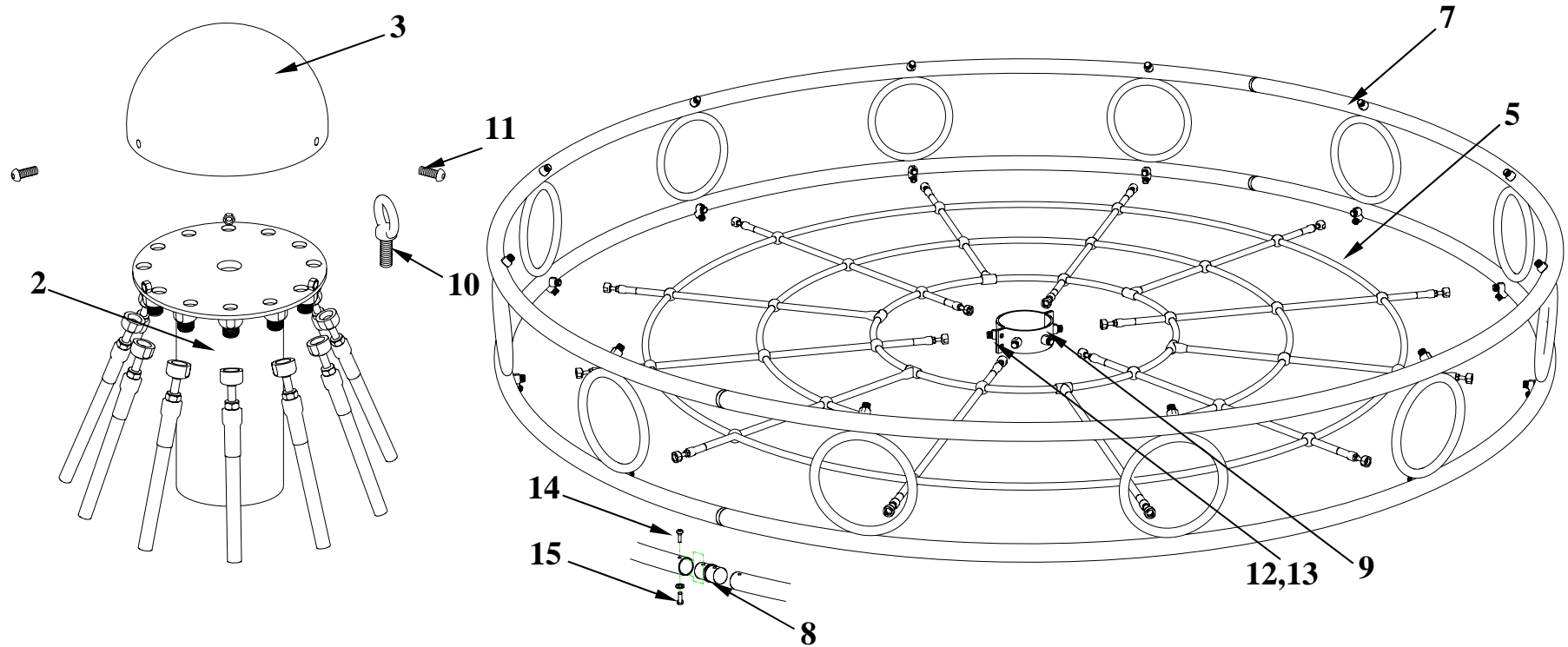


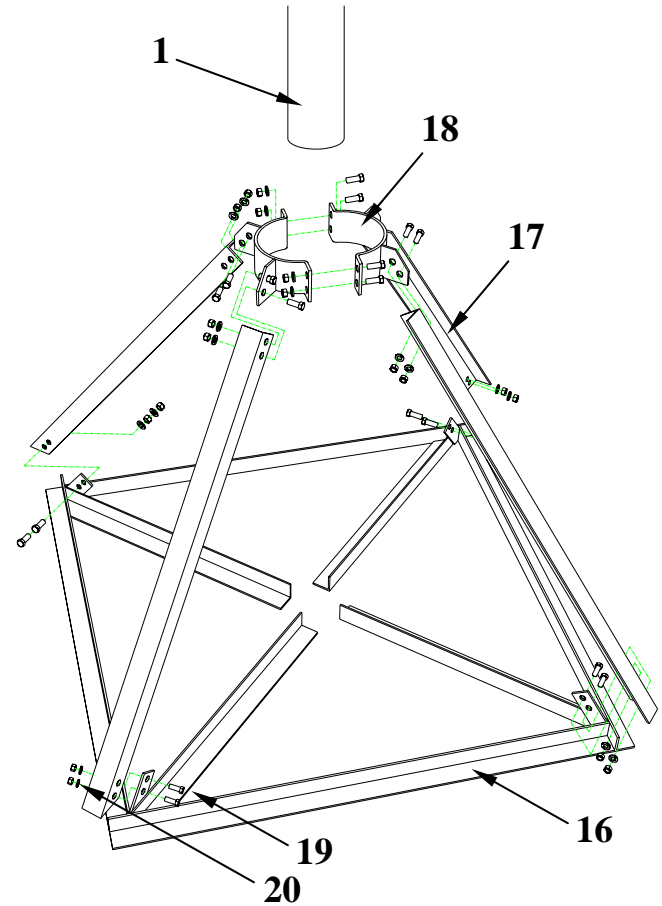
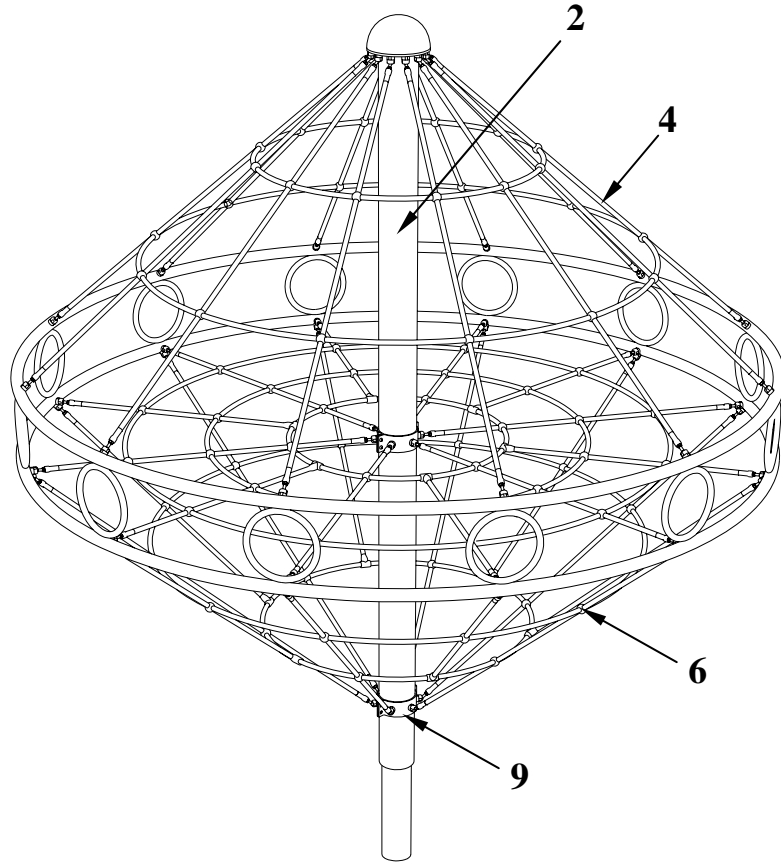
Figure-13



Remove the eye bolt
Install the cap with HSCS bolt



- | | |
|---------------------------|---------------------------------|
| 1: galvanised post | 8: nylon joint (Φ50) |
| 2: inox post | 9: half collar |
| 3: post cap | 10: eye bolt |
| 4: upper net | 11: M10 X L25 HSCS bolt |
| 5: spider net | 12: M10 X L35 HSCS bolt |
| 6: lower net | 13: nylon lock nut (M10),washer |
| 7: aluminium ring (Φ3300) | |



- | | |
|------------------------------------|-----------------------------|
| 14: M8 X L25 fix bolt | 18: base half collar |
| 15: M8 X L33 fix nut,washer | 19: M12 X L35 bolt |
| 16: base | 20: M12 nut,washer |
| 17: angle brace | |

A. General safety measures

On the playground there should be a sign(pictogram) giving the following information:

- a) general emergency telephone number;
- b) telephone number to contact maintenance personnel;
- c) name of the playground;
- d) address of playground; and
- e) other relevant local information, if applicable.

The entry, exit and emergency paths to and from a playground, intended for use by the public and emergency services, should be accessible and free of obstacles at all times.

NOTE Attention is drawn to local regulations.

B. Procedures

Defects that occur during operation and which put safety at risk should be corrected without delay. If this is not possible, the equipment should be secured against use e.g. by immobilization or removal.

There should be written operational procedures covering the measures to be taken in the event of accidents, fire and the like.

Until unsafe equipment is repaired and released for use, access by the public should be prevented. Information about accidents brought to the attention of the manager should be recorded on a form that includes the following details:

- a) date and time of accident;
- b) age and sex of victim and clothing worn, including footwear;
- c) equipment involved;
- d) number of children on site at the time of the accident;
- e) description of accident;
- f) injury sustained including part(s) of body affected;
- g) action taken;
- h) witness statements;
- i) any subsequent equipment modification;
- j) weather conditions; and
- k) any other relevant information.

C. Routine maintenance

To reduce accidents, the owner or operator should ensure that an appropriate routine maintenance schedule is established, implemented and maintained. This should take into account local conditions and the manufacturer's instructions that can affect the necessary inspection frequency. The schedule should list the components to be maintained and should also give procedures for dealing with complaints and breakdowns. The routine maintenance of playground equipment and surfaces should consist of preventative measures to maintain their level of safety, performance and compliance with the relevant part(s) of EN 1176. Such measures should include:

- a) tightening of fastenings;
- b) re-painting and re-treatment of surfaces;
- c) maintenance of any impact attenuating surfaces;
- d) lubrication of bearings;
- e) marking of equipment to signify loose fill finished surface level;
- f) cleaning;
- g) removal of broken glass and other debris or contaminants;
- h) restoring loose fills to the correct level; and
- i) maintenance of free space areas.

D. Corrective maintenance

Corrective maintenance should include measures to correct defects, or to re-establish the necessary levels of safety of the playground equipment and surfaces. Such measures should include:

- a) replacement of fastenings;
- b) welding of welding repairs;
- c) replacement of worn or defective parts; and
- d) replacement of defective structural components.

E. Personal safety

Repairs during operation that could put the safety of maintenance personnel of the public at risk, should be avoided.

F. Equipment alterations

Alterations to parts of a piece of equipment or structure that could affect the essential safety of the equipment should only be carried out after consultation with the manufacturer or a competent person.