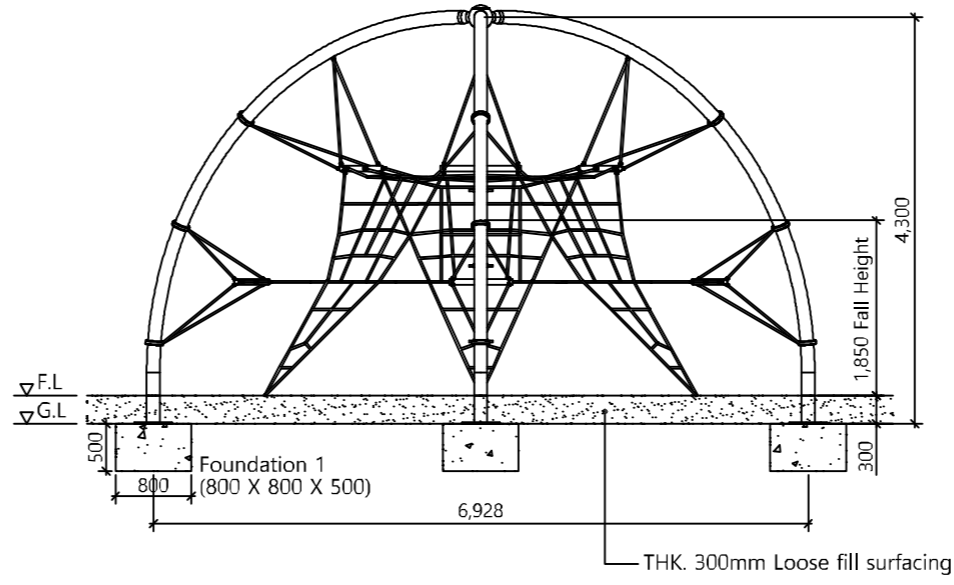
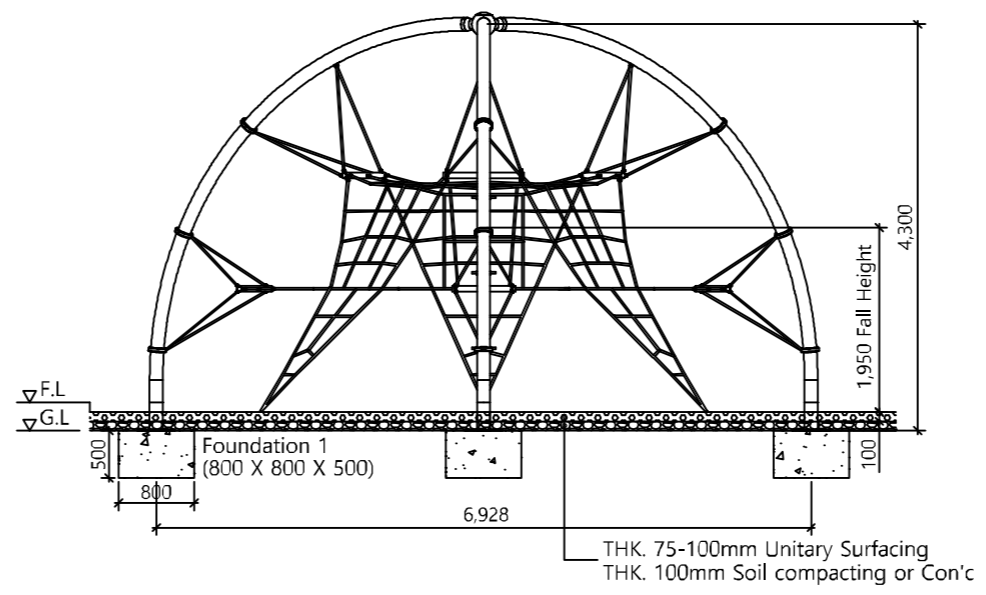


Plane View  
SCALE 1/80

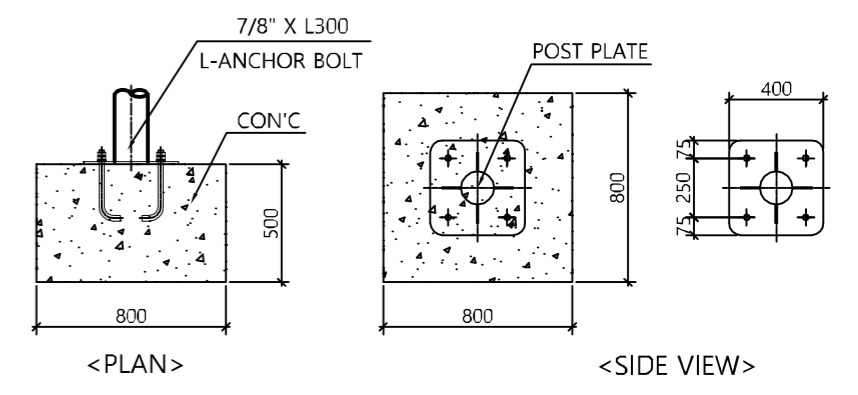


Front (Loose Fill)  
SCALE 1/80

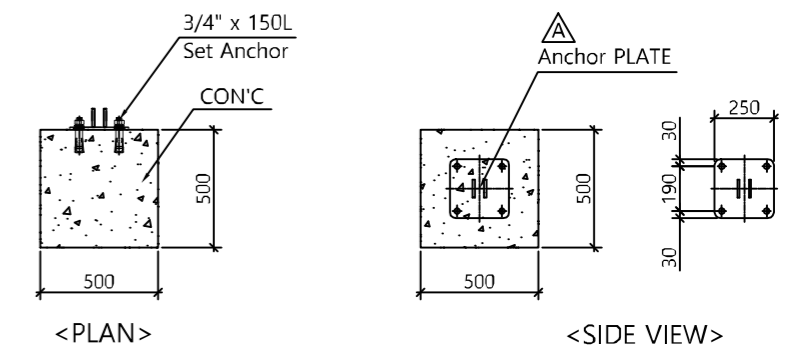


Front (Unitary)  
SCALE 1/80

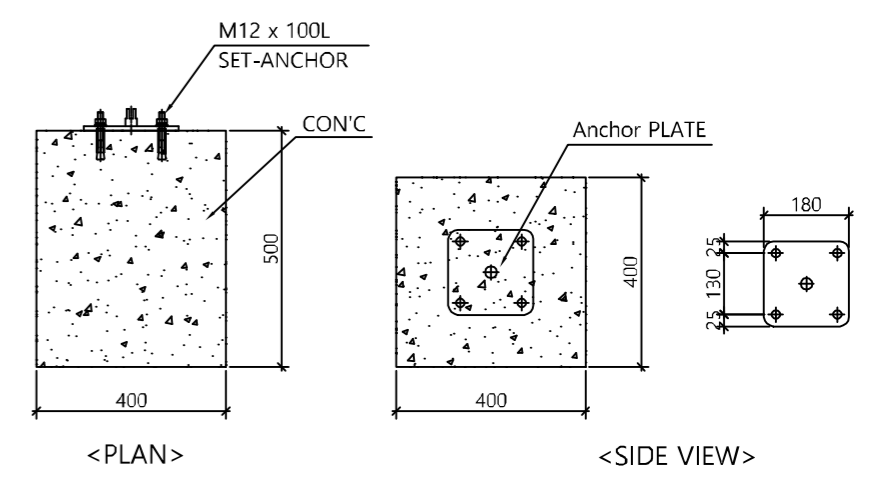
FOUNDATION 1 DETAIL  
SCALE NONE



FOUNDATION 2 DETAIL  
SCALE NONE



FOUNDATION 3 DETAIL  
SCALE NONE



CAUTION!!!!  
Finishing material is sand, its height("H") is 300mm.  
The height will vary according to finishing materials.  
If needed, please provide us informations of it.

Foundation No.	Size (m)	Q'ty (EA)
1	0.8 x 0.8 x 0.5	3
2	0.5 x 0.5 x 0.5	3
3	0.4 x 0.4 x 0.5	1