

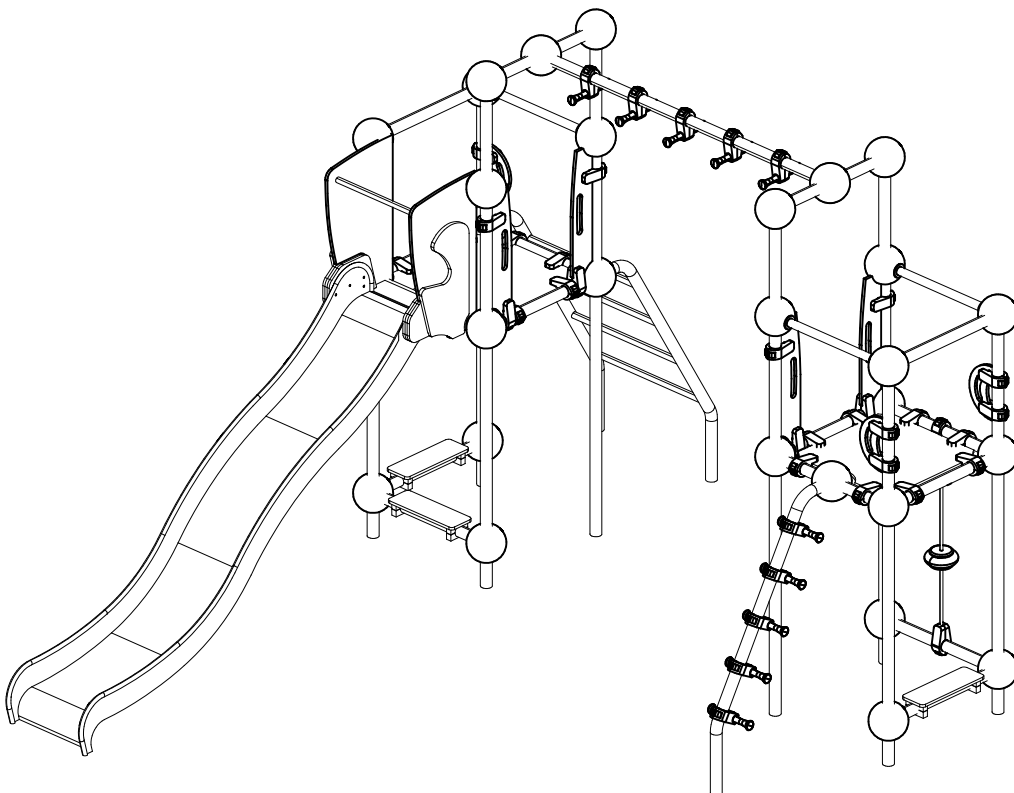
LAPPSET®




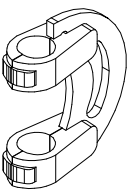

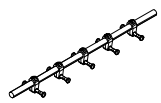
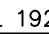
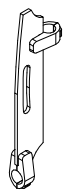

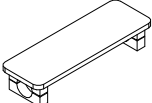

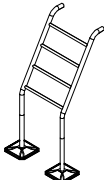

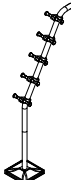



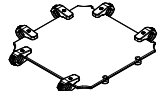

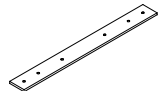

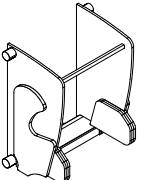

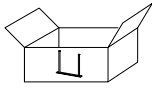
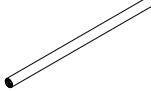
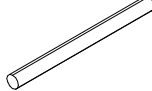
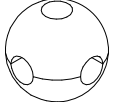

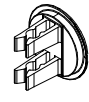
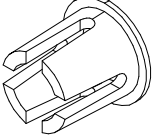



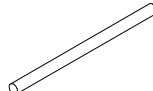

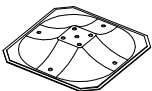
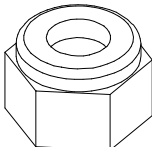
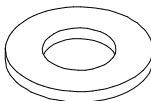
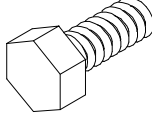
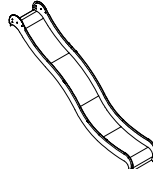
CLOXX

ASENNUSOHJE
MONTERINGSANSVISNING
INSTALLATION INSTRUCTION
AUFBAUANLEITUNG
NOTICE D'INSTALLATION

DATE: 26.2.2019

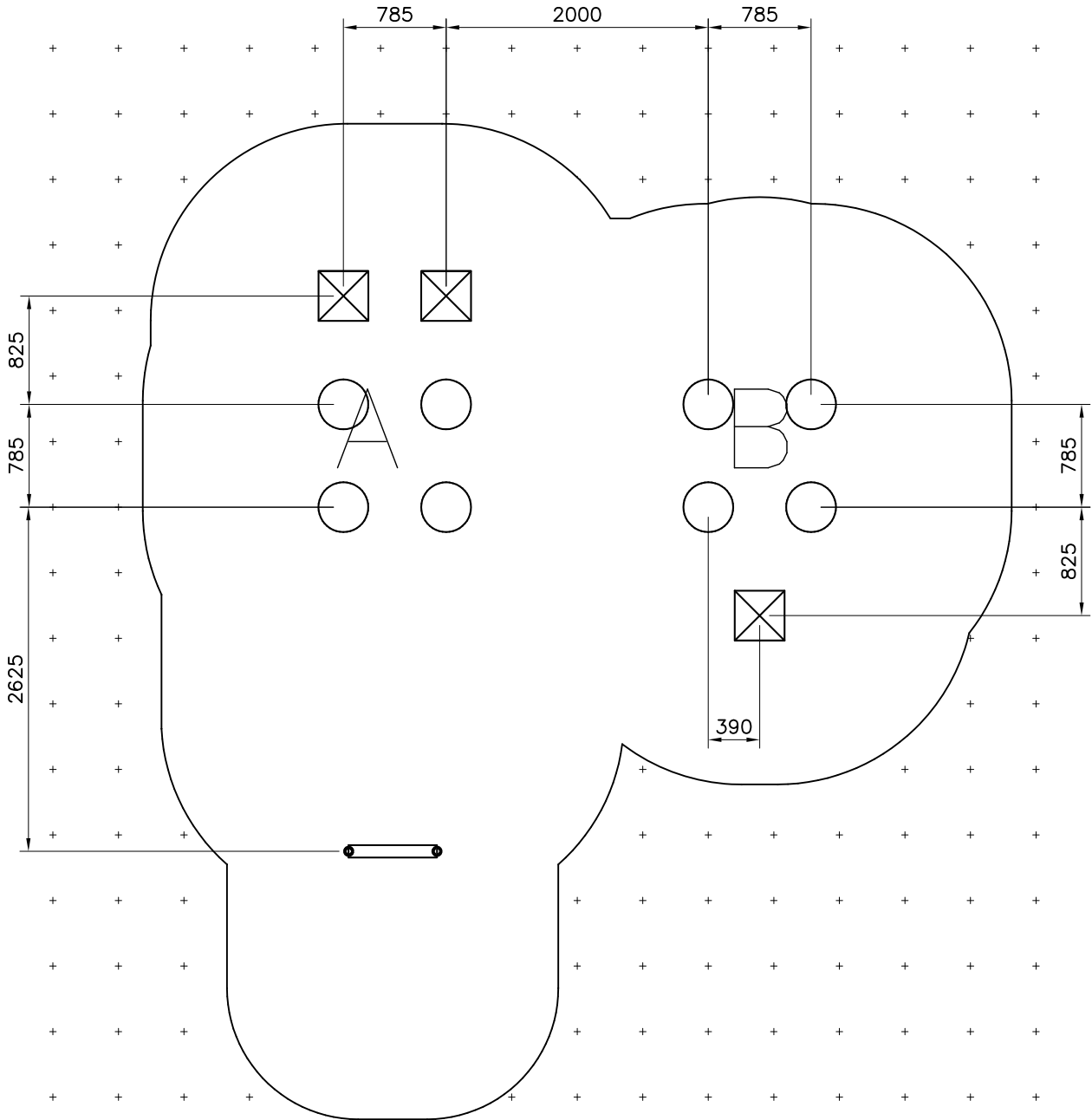
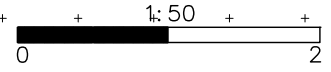
220320

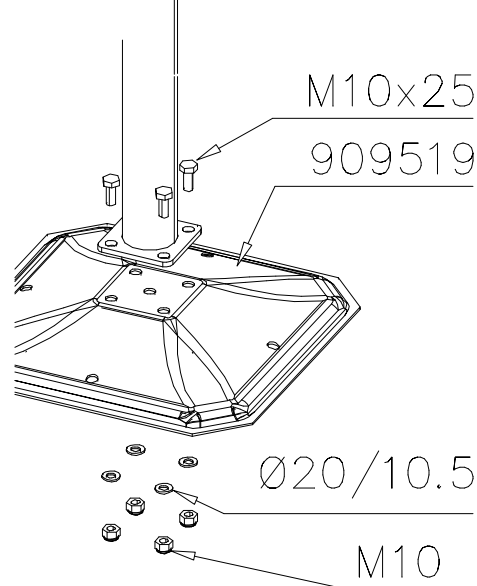
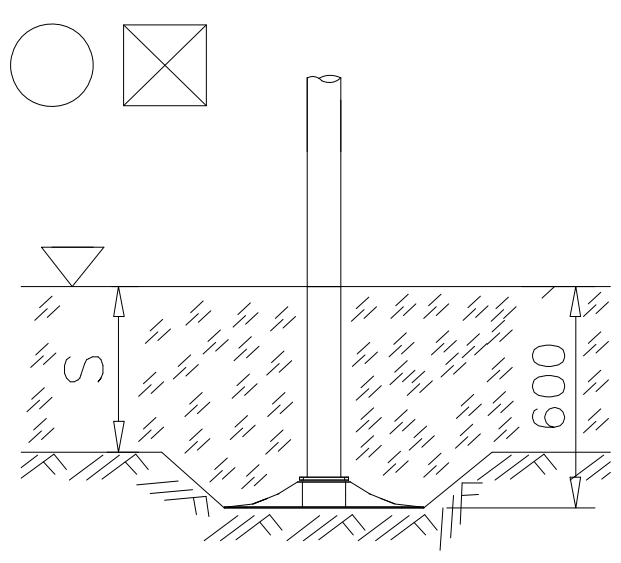


<p>702341</p>  <p>90x50</p>	<p>PCS</p> <p>1</p>	<p>703994</p>  	<p>PCS</p> <p>1</p>	<p>704159</p>  	<p>PCS</p> <p>3</p>	<p>704168</p>  <p>L 1926</p> 	<p>PCS</p> <p>1</p>	<p>704219</p>  	<p>PCS</p> <p>4</p>	<p>704332</p>  	<p>PCS</p> <p>3</p>
<p>704438</p>  	<p>PCS</p> <p>1</p>	<p>704440</p>  	<p>PCS</p> <p>1</p>	<p>704678</p>  	<p>PCS</p> <p>1</p>	<p>704684</p>  	<p>PCS</p> <p>1</p>	<p>707133</p>  <p>10x80x745</p> 	<p>PCS</p> <p>1</p>	<p>708858</p>  	<p>PCS</p> <p>1</p>
<p>709045</p> 	<p>PCS</p> <p>1</p>	<p>901868</p>  <p>Ø34x598</p>	<p>PCS</p> <p>2</p>	<p>902022</p>  <p>L 710</p>	<p>PCS</p> <p>12</p>	<p>902134</p>  	<p>PCS</p> <p>29</p>	<p>902157</p>  <p>60x60x2</p>	<p>PCS</p> <p>79</p>	<p>904100</p>  <p>Ø60/40</p>	<p>PCS</p> <p>6</p>
<p>904455</p>  <p>L 2737</p>	<p>PCS</p> <p>6</p>	<p>904456</p>  <p>L 2737</p>	<p>PCS</p> <p>2</p>	<p>904524</p>  <p>L 526</p>	<p>PCS</p> <p>4</p>	<p>904819</p>  <p>Ø44.5x710</p>	<p>PCS</p> <p>3</p>	<p>904834</p>  <p>L 710</p>	<p>PCS</p> <p>3</p>	<p>909519</p>  <p>380x380</p>	<p>PCS</p> <p>8</p>
<p>909637</p>  <p>M10</p>	<p>PCS</p> <p>32</p>	<p>909638</p>  <p>Ø20/10.5</p>	<p>PCS</p> <p>64</p>	<p>909639</p>  <p>M10x25</p>	<p>PCS</p> <p>32</p>	<p>909709</p>  <p>+1470</p>	<p>PCS</p> <p>1</p>		<p>PCS</p>		<p>PCS</p>
	<p>PCS</p>		<p>PCS</p>		<p>PCS</p>		<p>PCS</p>		<p>PCS</p>		<p>PCS</p>
	<p>PCS</p>		<p>PCS</p>		<p>PCS</p>		<p>PCS</p>		<p>PCS</p>		<p>PCS</p>

EN Impact Area 35.6 m²

Grid size = 500 mm

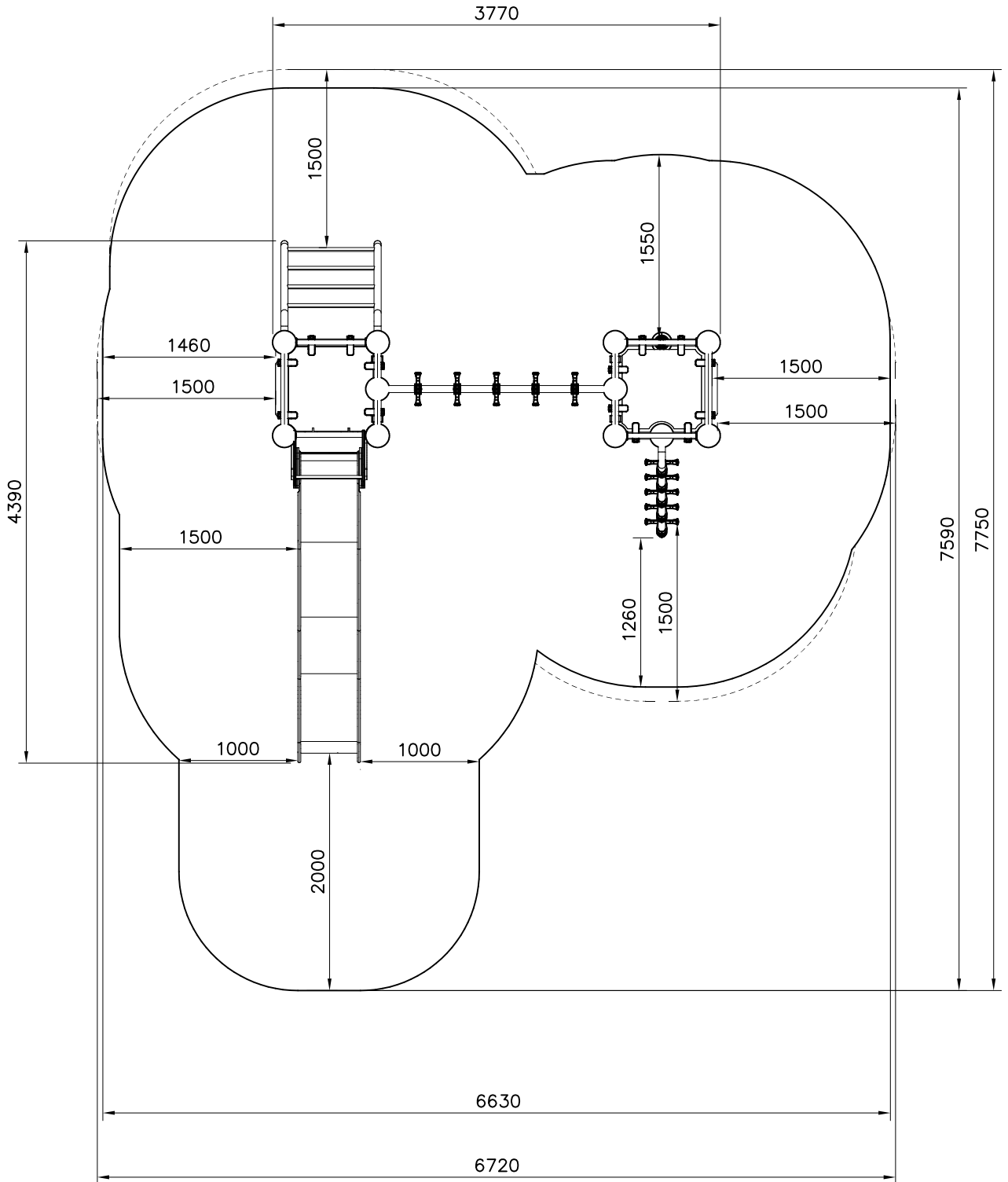
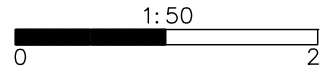


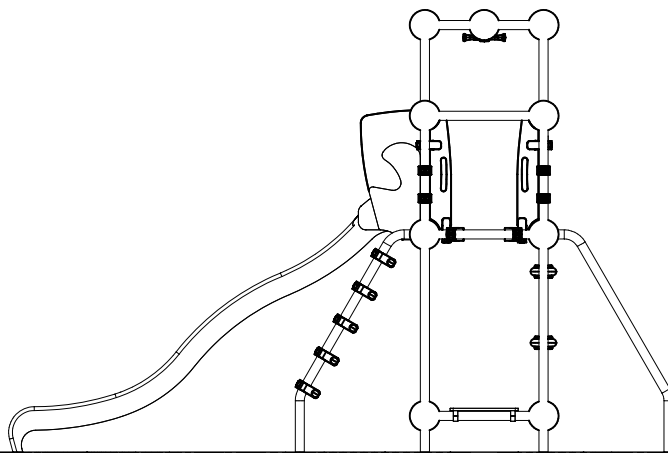
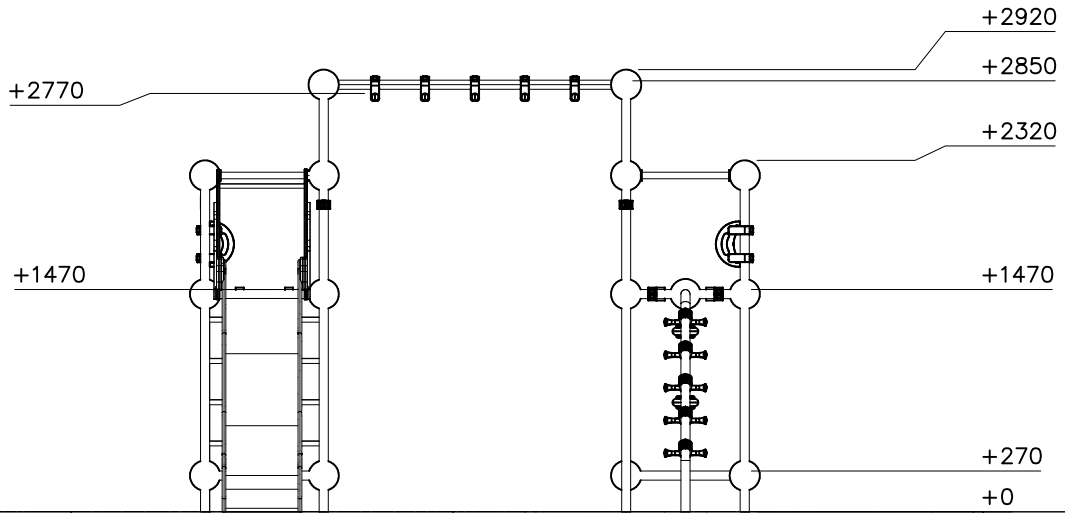
 <p>M10x25 909519</p> <p>Ø20/10.5 M10</p>	 <p>S</p> <p>600</p> <p>F</p>

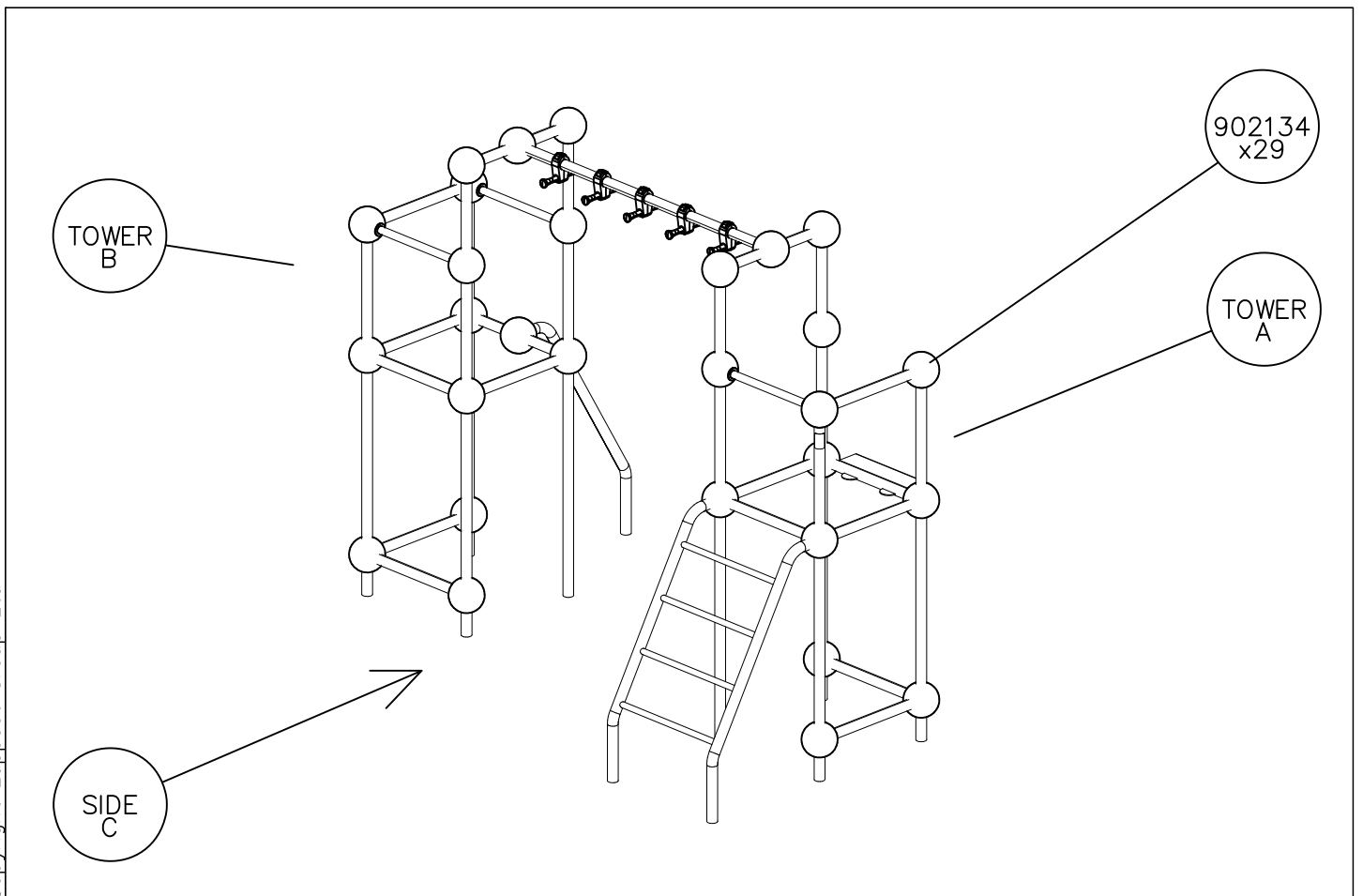
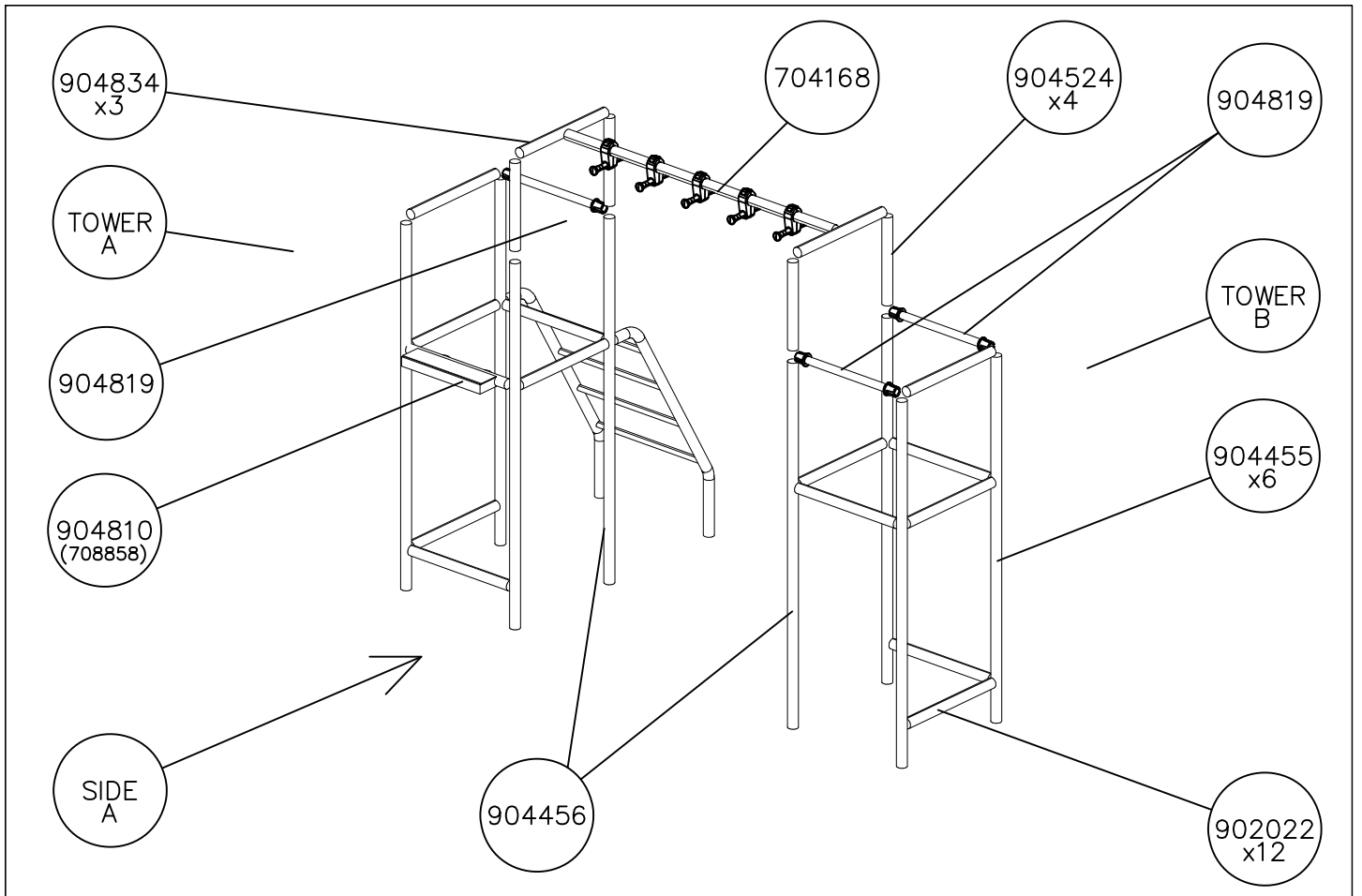
EN Impact Area 35.6 m²

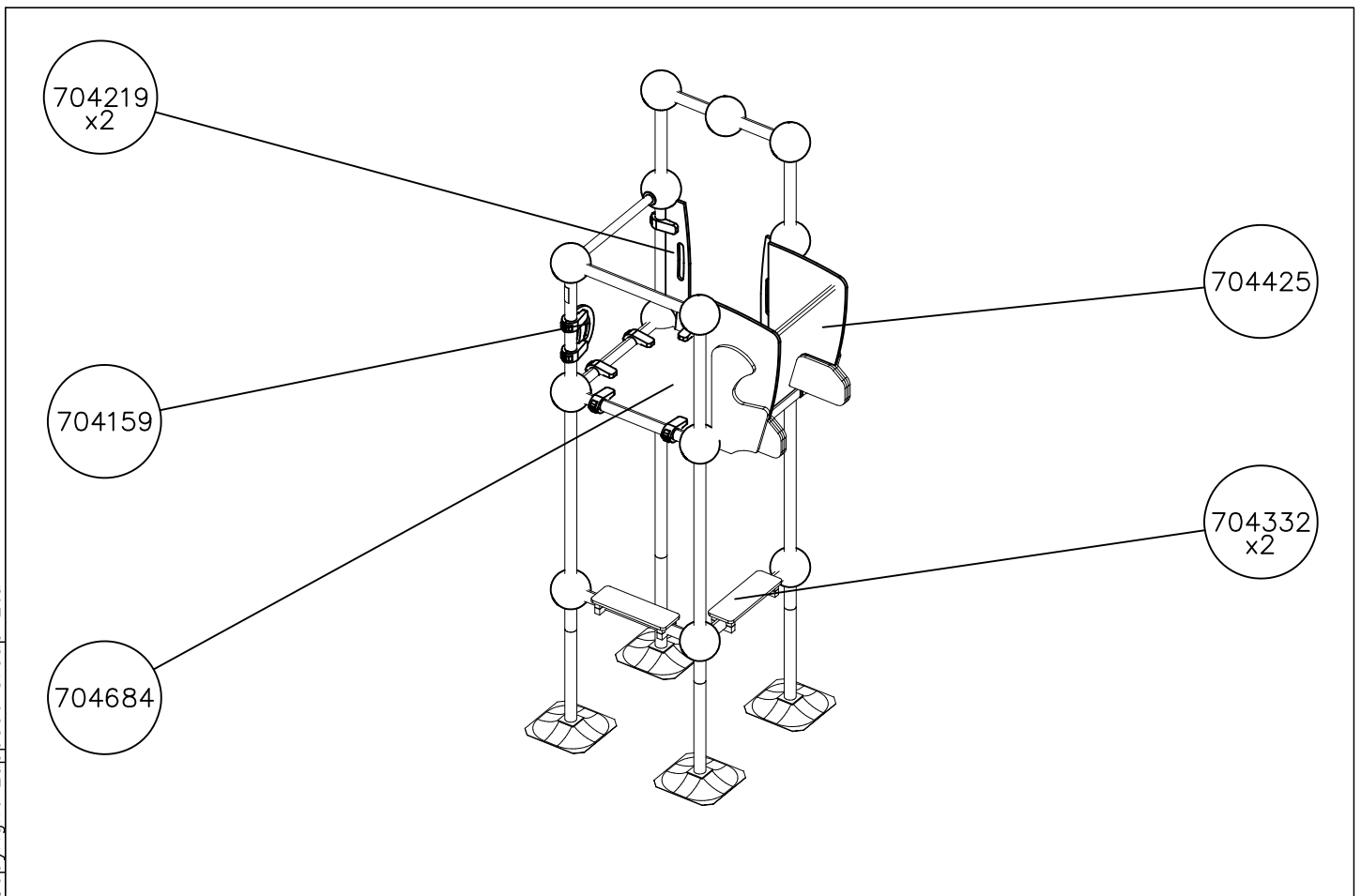
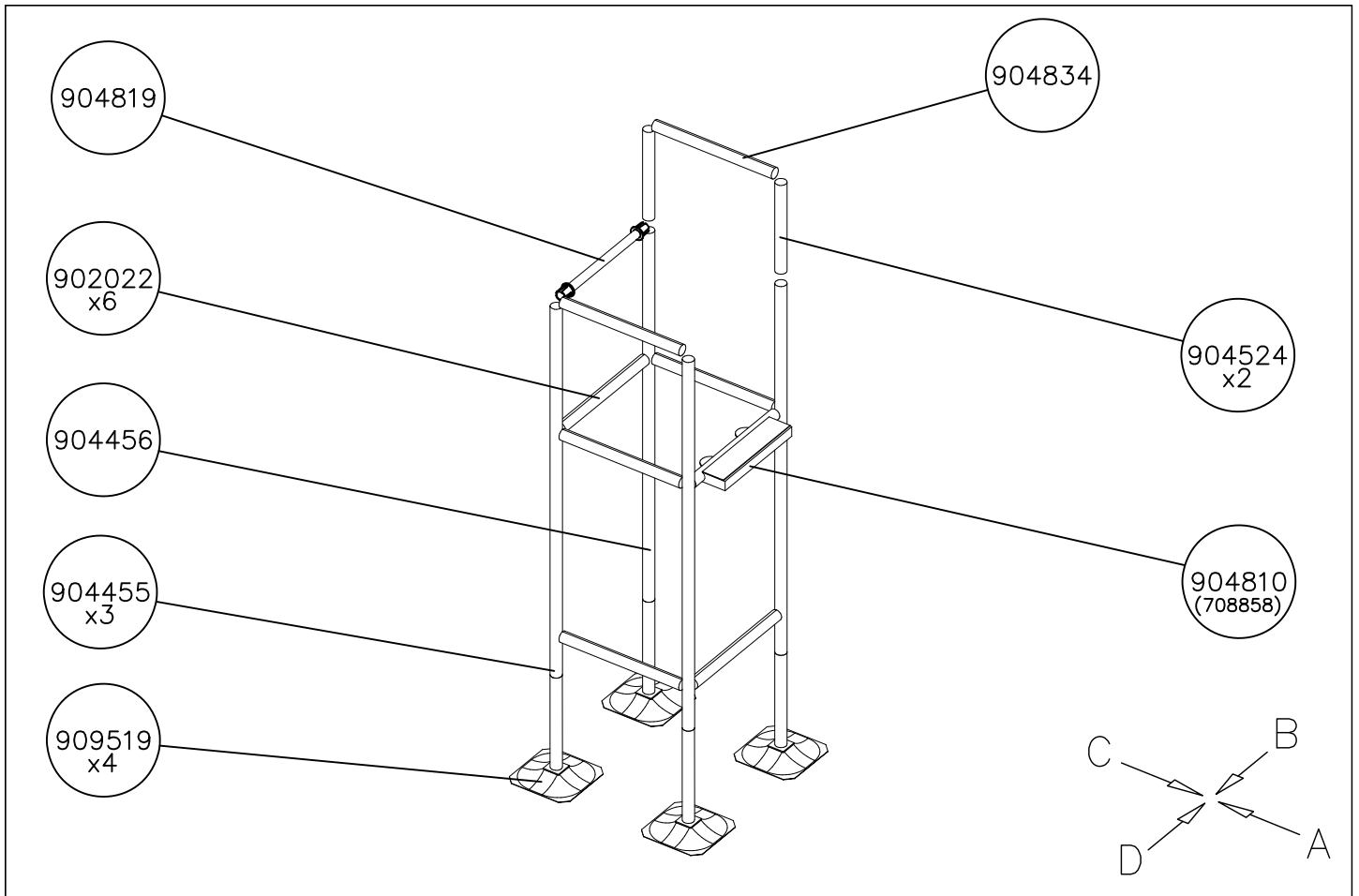
----- Falling Space 36.2 m²

Max Falling Height 1850 mm





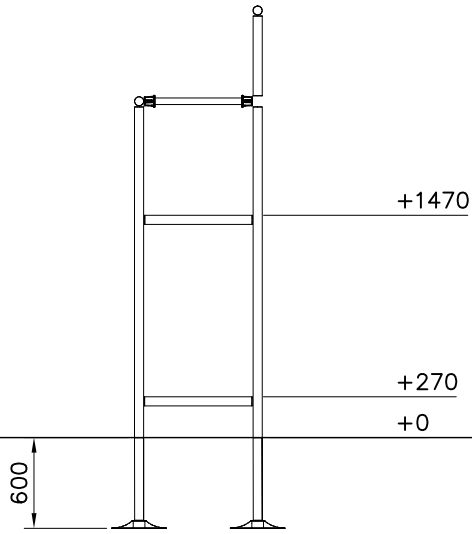




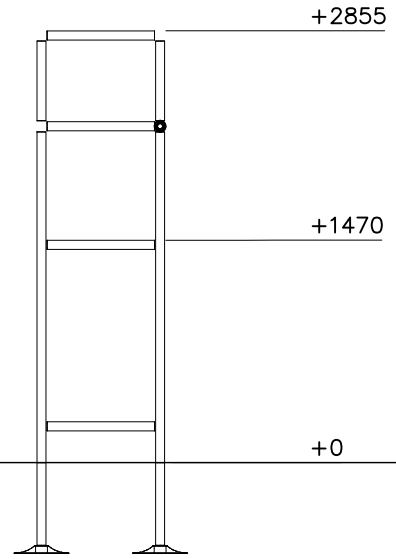
DATE: 26.2.2019

1:50

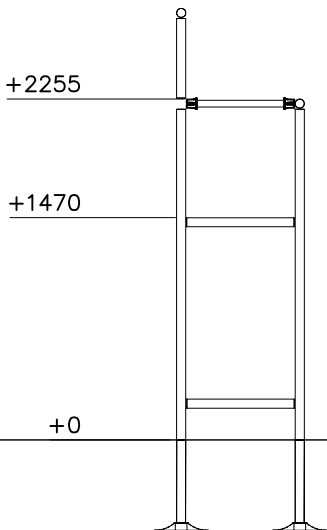
(A)



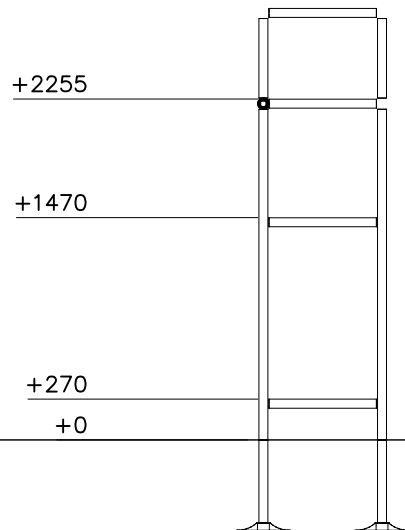
(B)

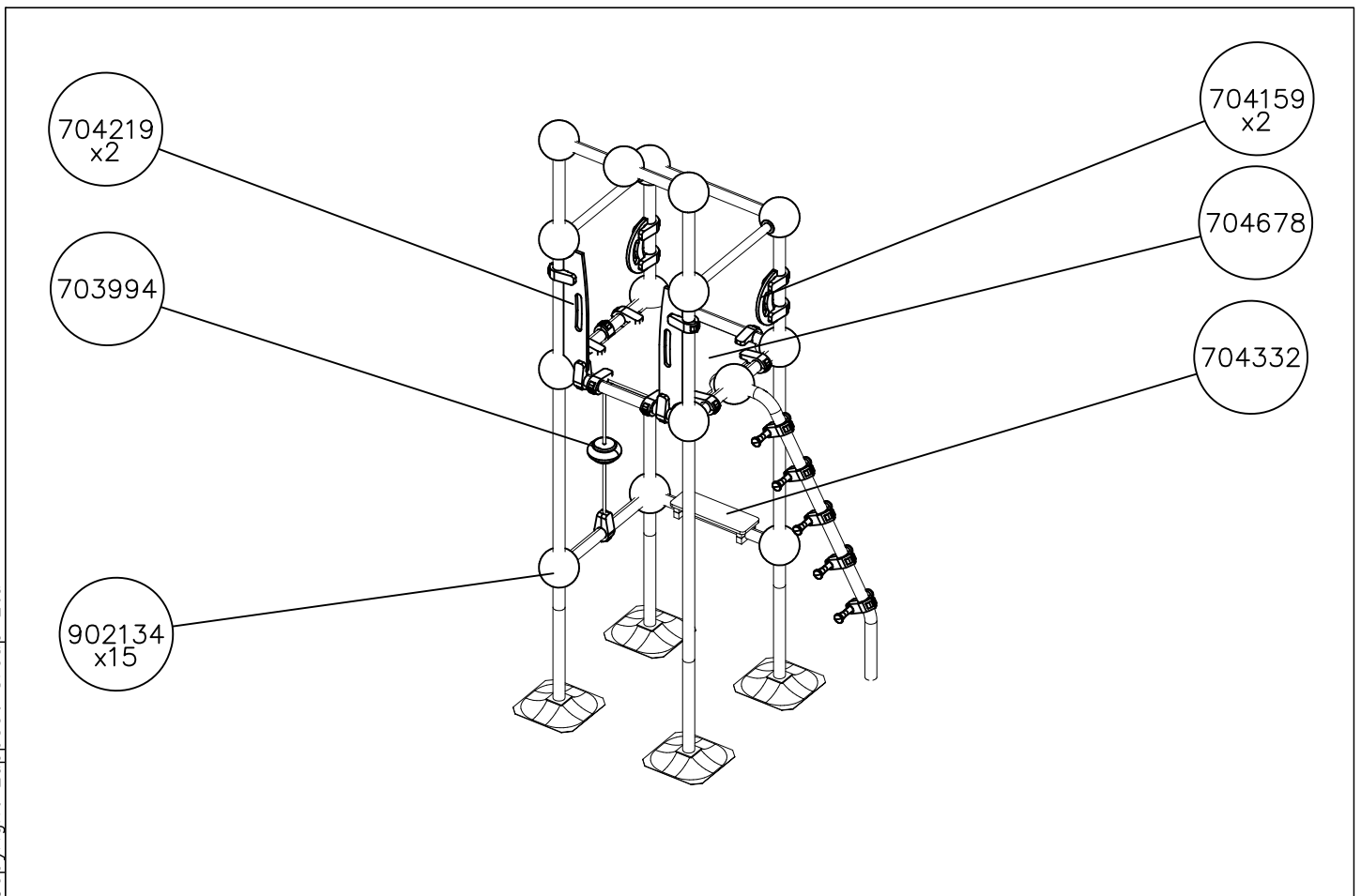
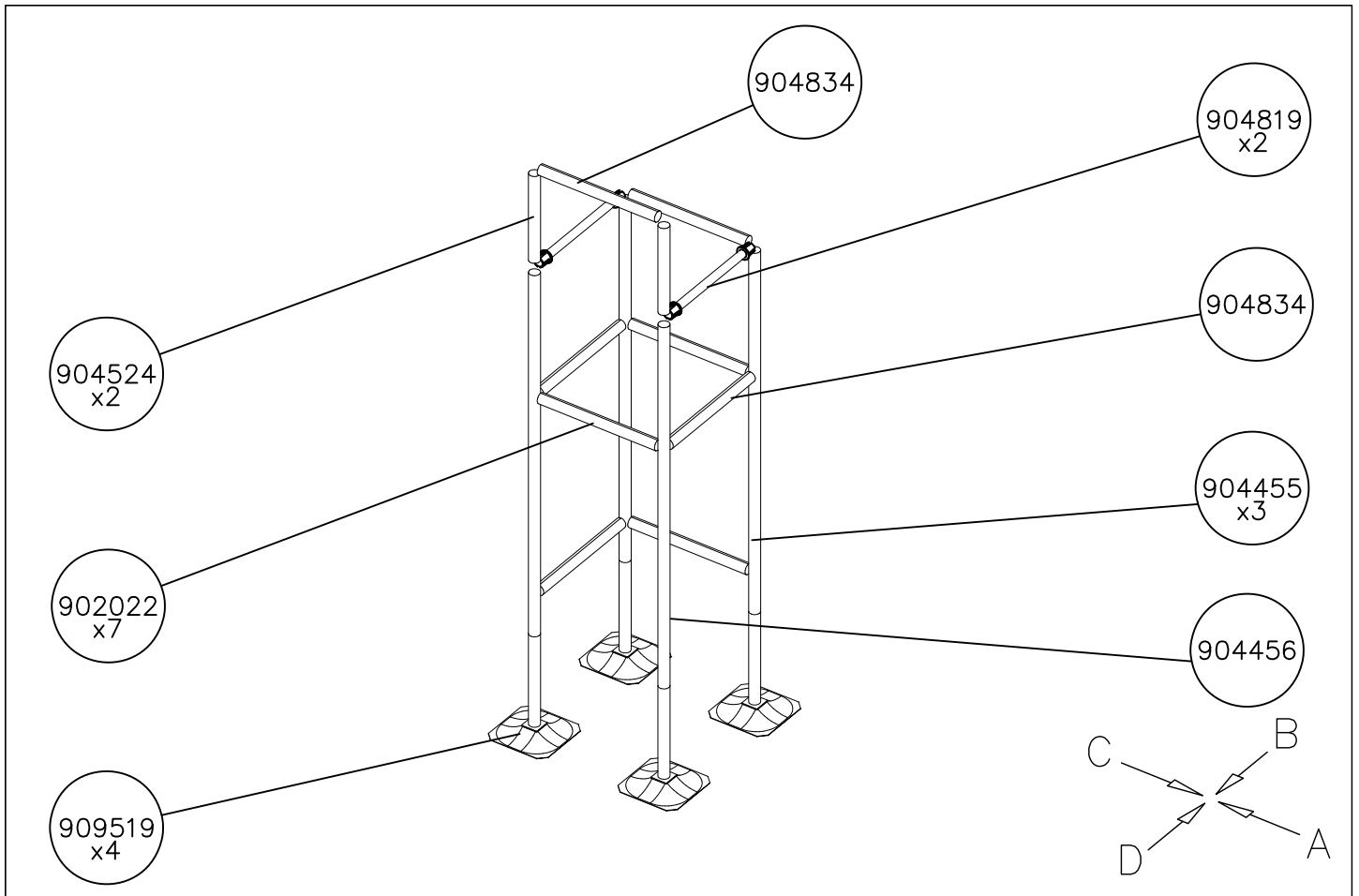


(C)



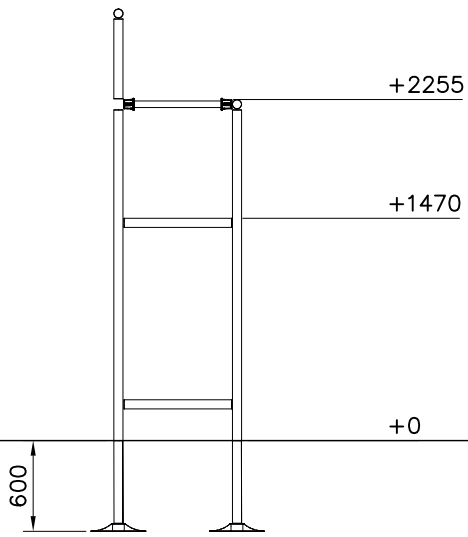
(D)



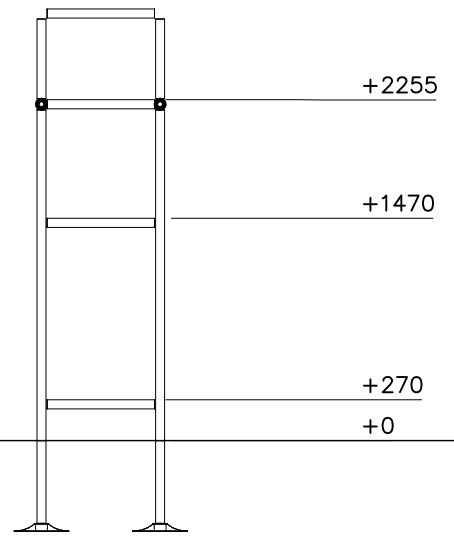


1:50

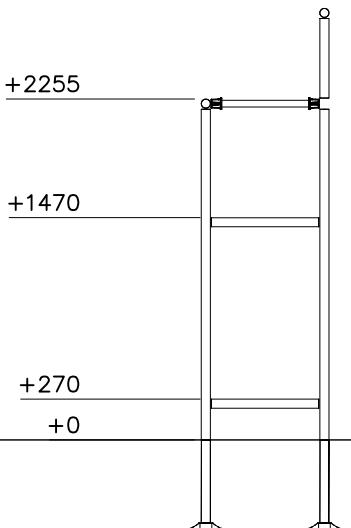
(A)



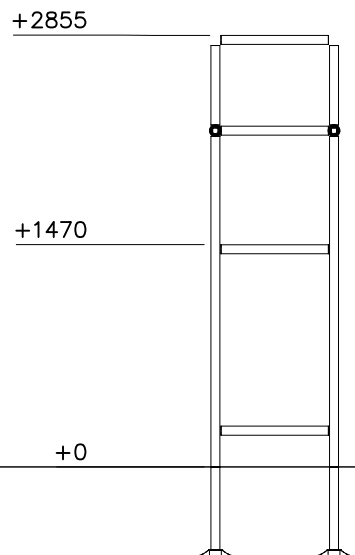
(B)

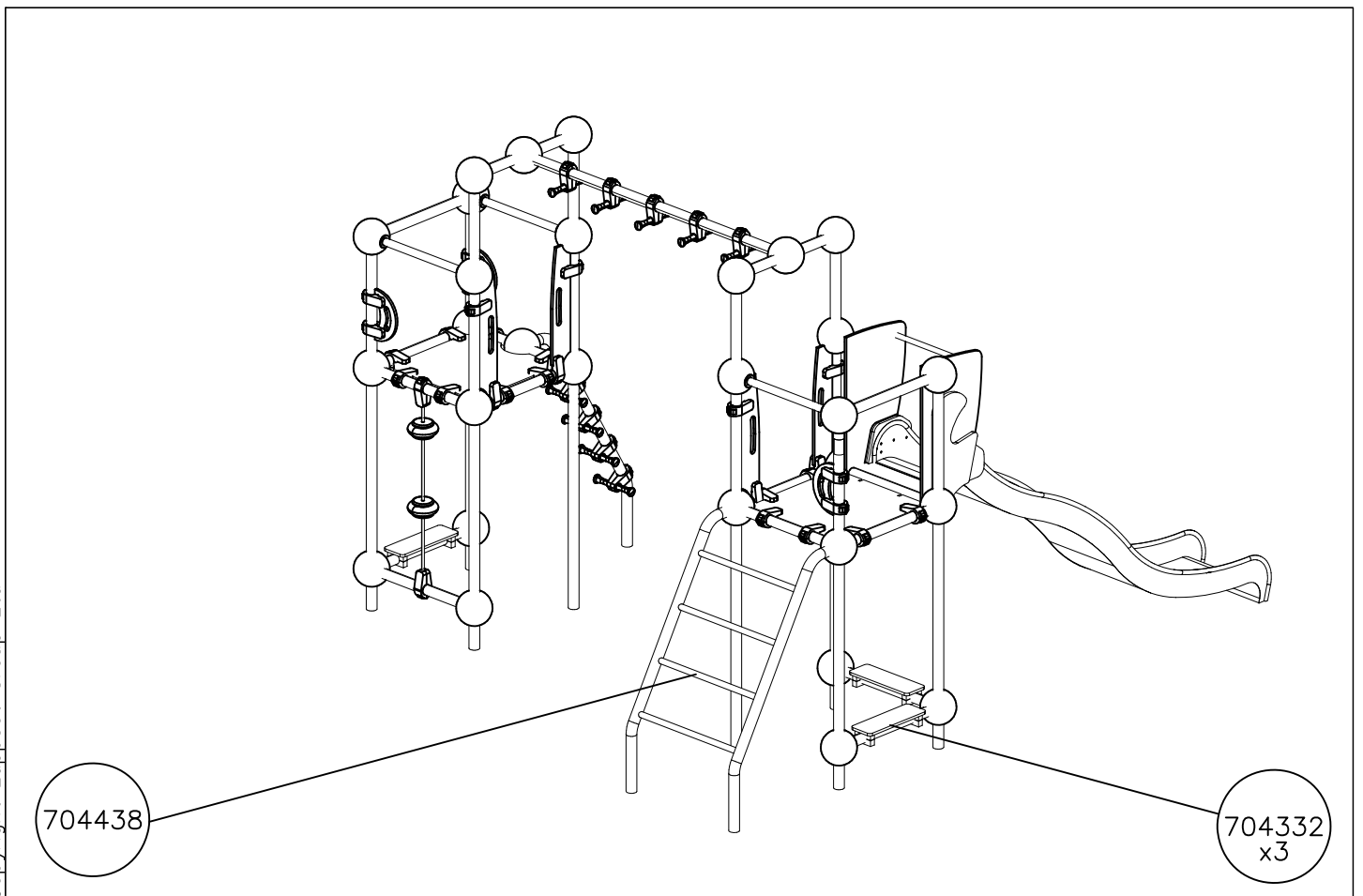
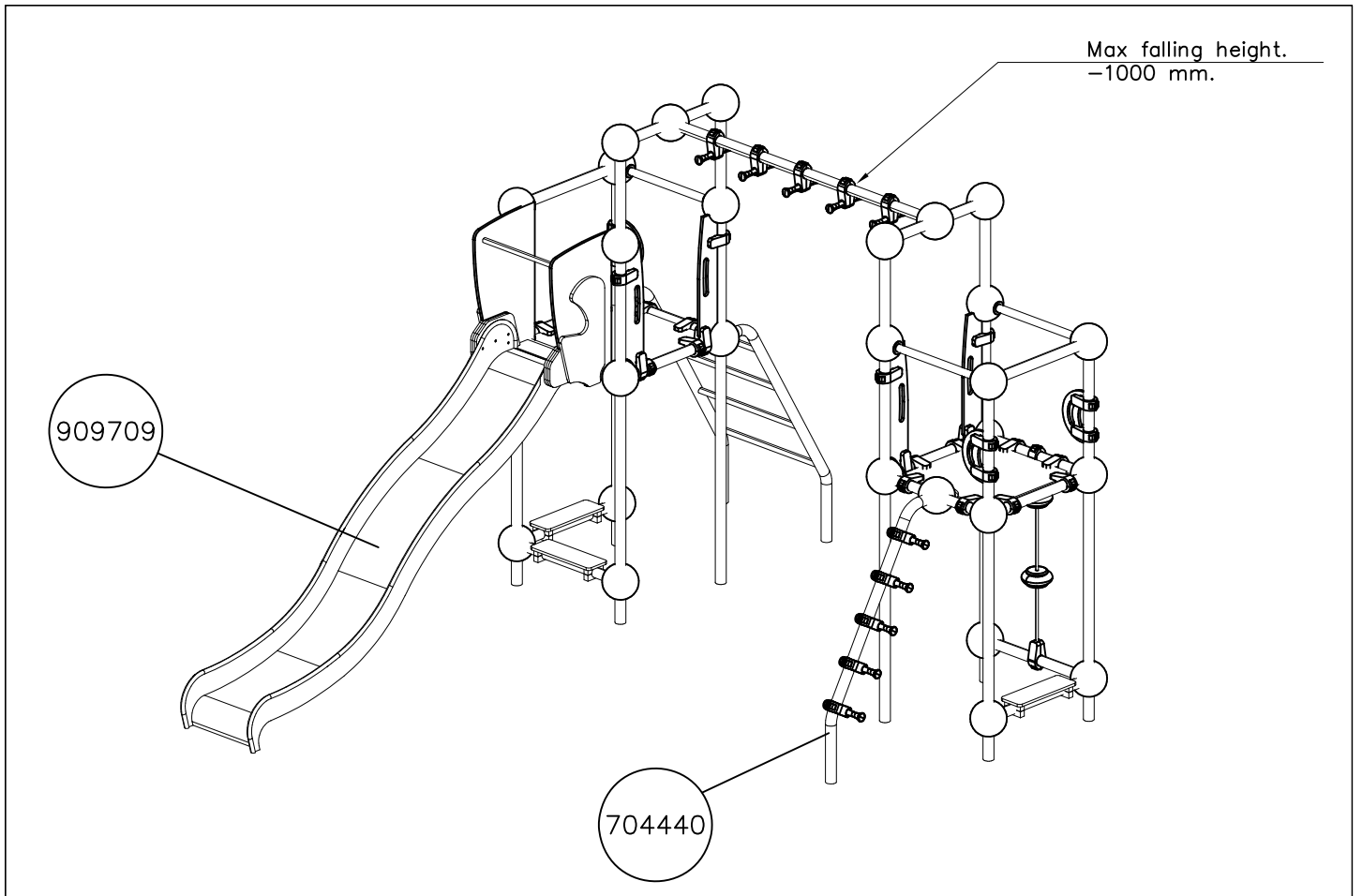


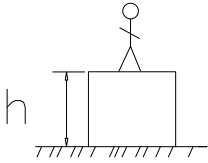



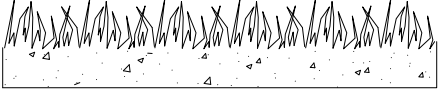
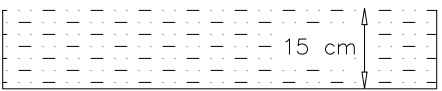
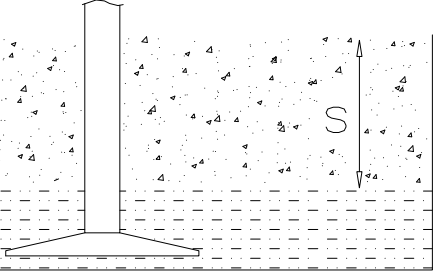
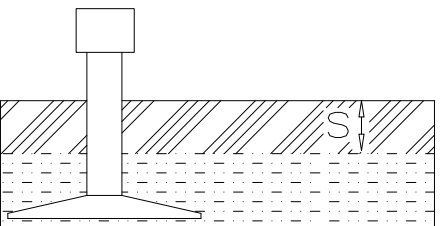
(C)



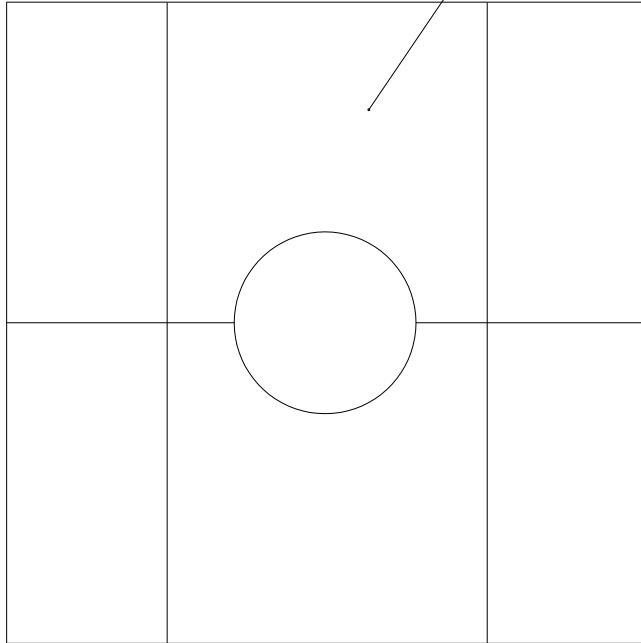
(D)



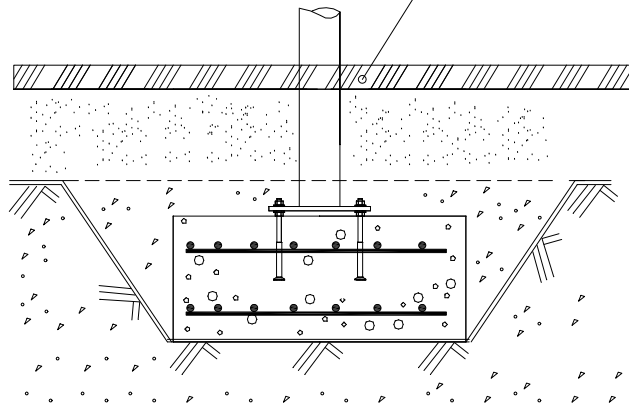


		
<p>$h < 600$</p> <p>Without movement and therefore without Impact Area</p>	<p>Totally hard surfaces.</p> <p>Note. Lappset does <u>not recommend</u> totally hard surfaces at all.</p>	<p>E.g. concrete or asphalt</p> 
<p>$h < 600$</p> <p>With movement e.g. rocking</p>	<p>Materials with very limited impact attenuating properties.</p>	<p>E.g. wood</p> 
<p>$h < 1000$</p>	<p>Materials with significant impact attenuating properties.</p>	<p>fine gravel 0–8 mm</p>  <p>grass</p>  <p>unsorted sand</p> 
<p>$h < 3000$</p>	<p>Loose fill material</p> <p>E.g. sand/gravel 0,25...8 mm D60/D10<3,0 Woodchips 5...30 mm bark 20...80 mm</p>	 <p>\underline{S} \underline{h}</p> <p>30 cm < 2,0 m</p> <p>40 cm < 3,0 m</p>
	<p>Syntethic granulates</p> <p>\underline{S} \underline{h}</p> <p>40 mm ~> 1,2...1,3 m</p> <p>50 mm ~> 1,5...1,7 m</p> <p>60 mm ~> 1,8...2,0 m</p> <p>70 mm ~> 2,1...2,5 m</p> <p>Note. For accurate values, see manufacturer's instructions.</p>	

REMOVE SAFETY SURFACE/SAND/GRAVEL
TO CHECK FOUNDATION



REMOVE SAFETY SURFACE/SAND/GRAVEL
TO CHECK FOUNDATION

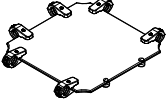
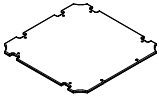
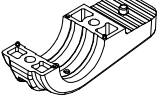
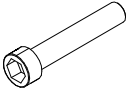
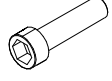
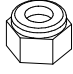
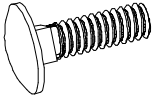
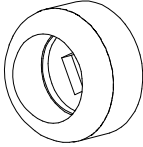

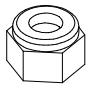
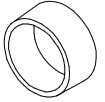
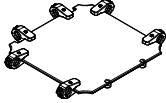
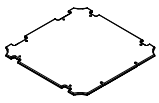
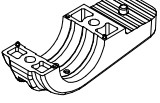
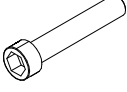
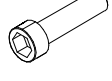
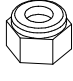
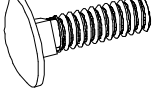
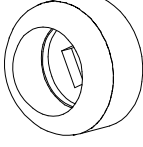

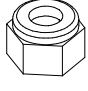
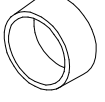
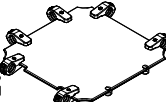
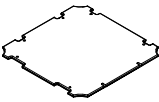
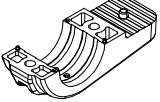
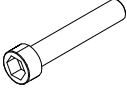
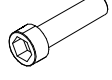
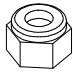
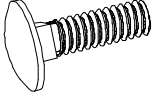
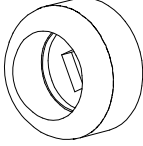

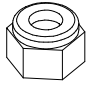
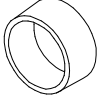


LAPPSET® FLOOR (SLIDE)

CLOXX

DATE: 3.10.2013

1(3)

○ 704432 	○ 704038 	PCS 1	○ 902124  150x50x50	PCS 12	○ 902232  M10x55	PCS 6	○ 902233  M10x30	PCS 6	○ 980161  M10	PCS 12		PCS
		PCS	○ 909109  M12x40	PCS 2	○ 905090  Ø45	PCS 2	○ 980154  Ø24/13	PCS 2	○ 909248  M12	PCS 2	○ 905115  Ø32	PCS 2
		PCS		PCS		PCS		PCS		PCS		PCS
○ 704447 	○ 704446 	PCS 1	○ 902124  150x50x50	PCS 12	○ 902232  M10x55	PCS 6	○ 902233  M10x30	PCS 6	○ 980161  M10	PCS 12		PCS
		PCS	○ 909109  M12x40	PCS 2	○ 905090  Ø45	PCS 2	○ 980154  Ø24/13	PCS 2	○ 909248  M12	PCS 2	○ 905115  Ø32	PCS 2
		PCS		PCS		PCS		PCS		PCS		PCS
○ 704666 	○ 704667 	PCS 1	○ 902124  150x50x50	PCS 12	○ 902232  M10x55	PCS 6	○ 902233  M10x30	PCS 6	○ 980161  M10	PCS 12		PCS
		PCS	○ 909109  M12x40	PCS 2	○ 905090  Ø45	PCS 2	○ 980154  Ø24/13	PCS 2	○ 909248  M12	PCS 2	○ 905115  Ø32	PCS 2
		PCS		PCS		PCS		PCS		PCS		PCS

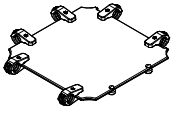
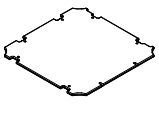
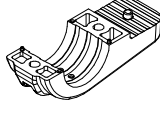
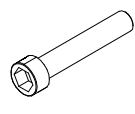
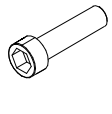
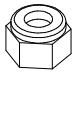
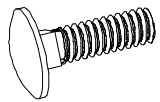
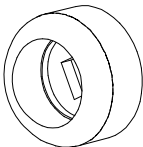
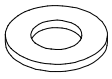
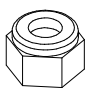
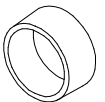
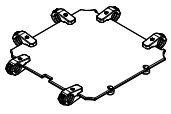
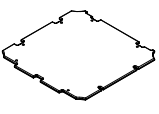
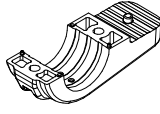
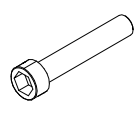
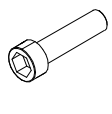
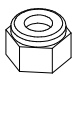
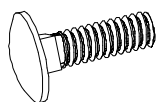
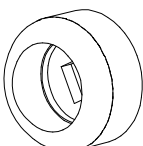
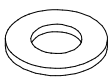
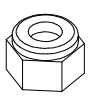
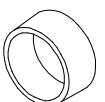
LAPPSET®

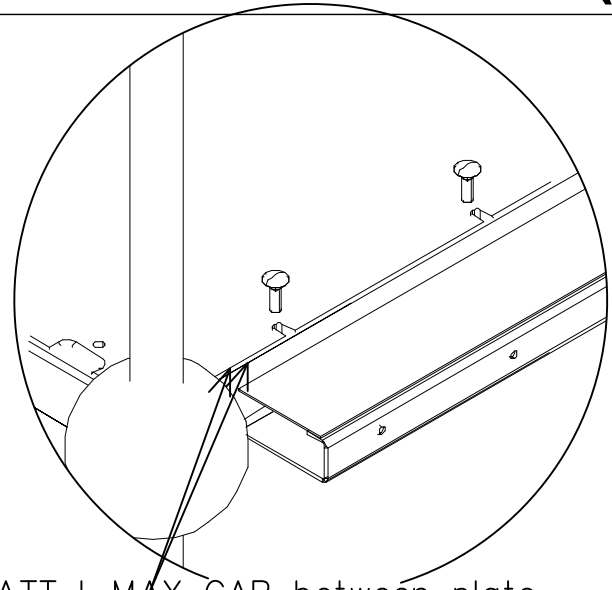
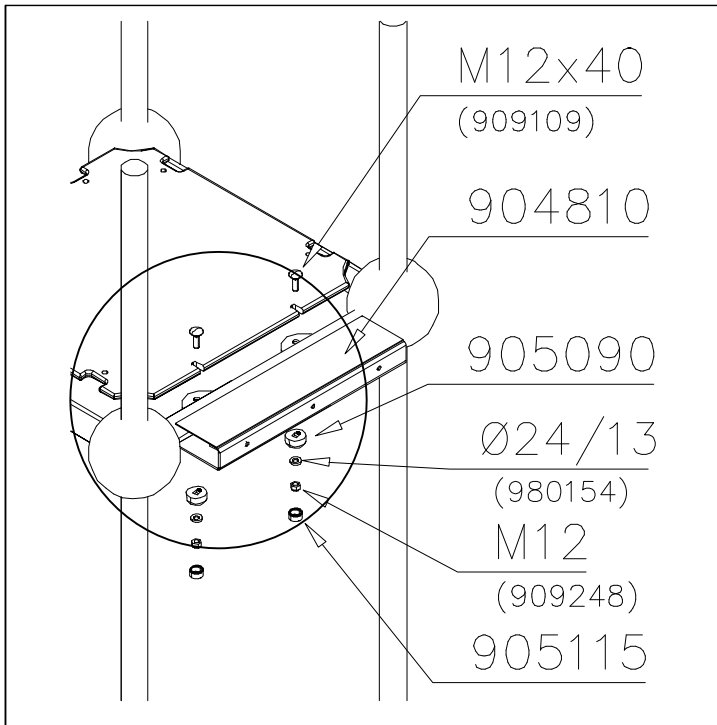
FLOOR (SLIDE)

CLOXX

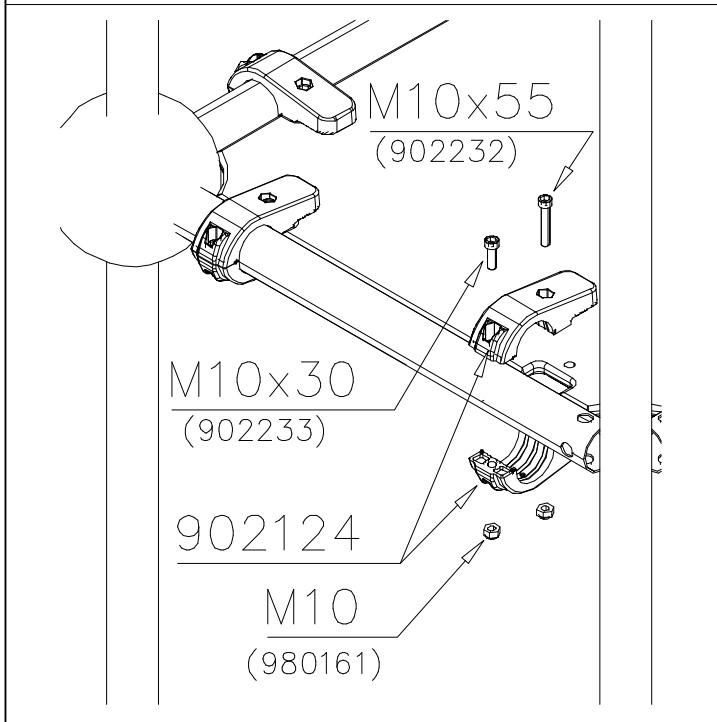
DATE: 3.10.2013

2(3)

○ 704684	○ 704685	PCS 1	○ 902124	PCS 12	○ 902232	PCS 6	○ 902233	PCS 6	○ 980161	PCS 12		PCS
			 150x50x50		 M10x55		 M10x30		 M10			
		PCS	○ 909109	PCS 2	○ 905090	PCS 2	○ 980154	PCS 2	○ 909248	PCS 2	○ 905115	PCS 2
			 M12x40		 Ø45		 Ø24/13		 M12		 Ø32	
		PCS		PCS		PCS		PCS		PCS		PCS
○ 704692	○ 704693	PCS 1	○ 902124	PCS 12	○ 902232	PCS 6	○ 902233	PCS 6	○ 980161	PCS 12		PCS
			 150x50x50		 M10x55		 M10x30		 M10			
		PCS	○ 909109	PCS 2	○ 905090	PCS 2	○ 980154	PCS 2	○ 909248	PCS 2	○ 905115	PCS 2
			 M12x40		 Ø45		 Ø24/13		 M12		 Ø32	
		PCS		PCS		PCS		PCS		PCS		PCS
		PCS		PCS		PCS		PCS		PCS		PCS

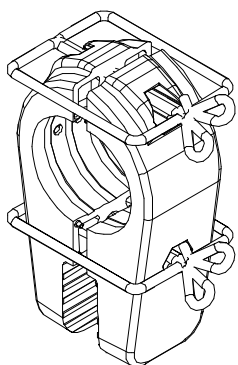
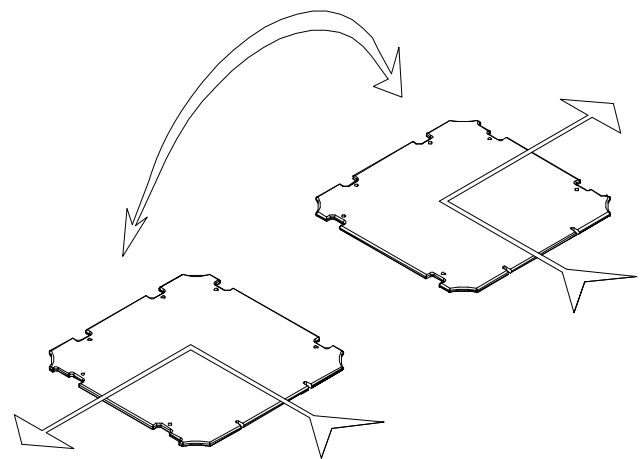


ATT ! MAX GAP between plate
 and tube is 6mm
 HUOM ! MAKSIMI VÄLI lattialevyllä
 ja putkella on 6mm



KÄYTÄ TARVITTAESSA SAMAA LEVYÄ
 VASEMALLE TAI OIKEALLE.

IF NECESSARY USE SAME PLATE LEFT
 OR RIGHT.



NOTE:
 Use a wire marked pairs
 of the same junction.

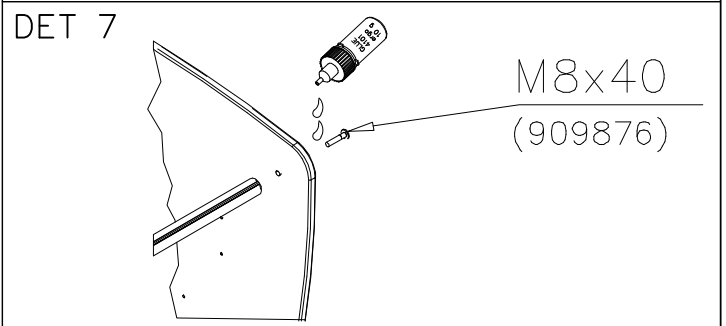
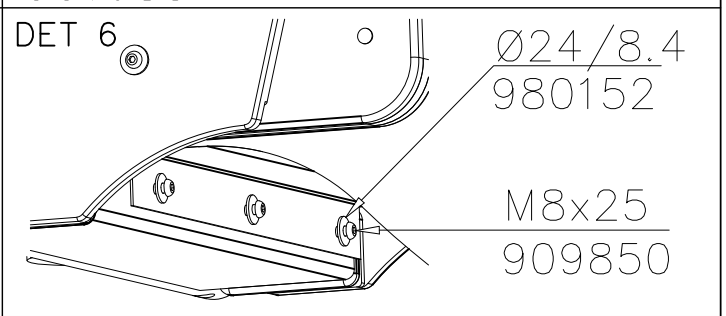
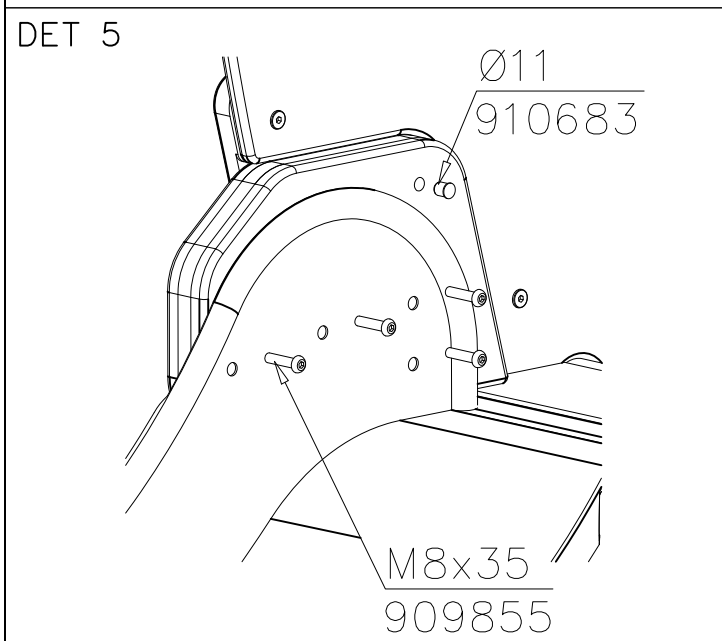
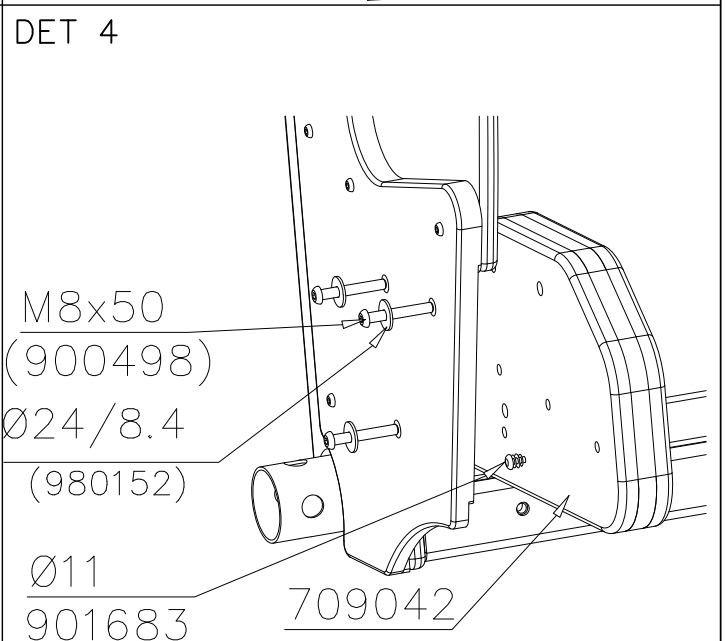
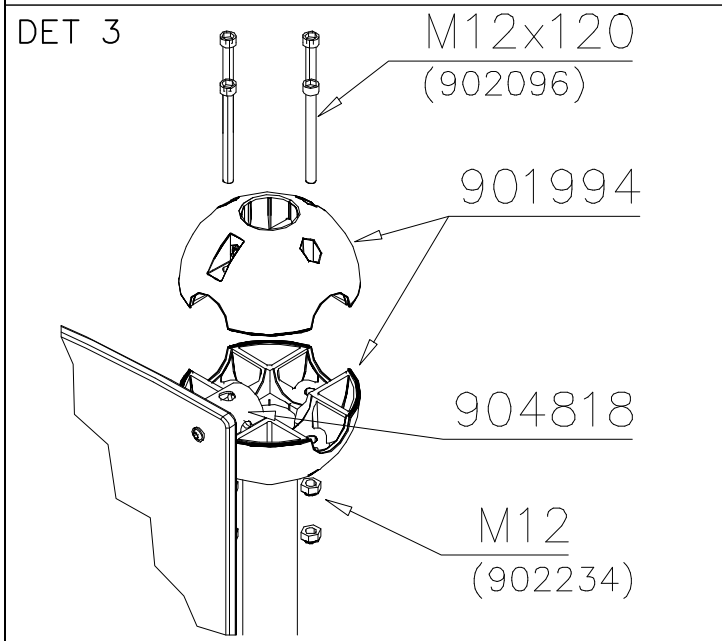
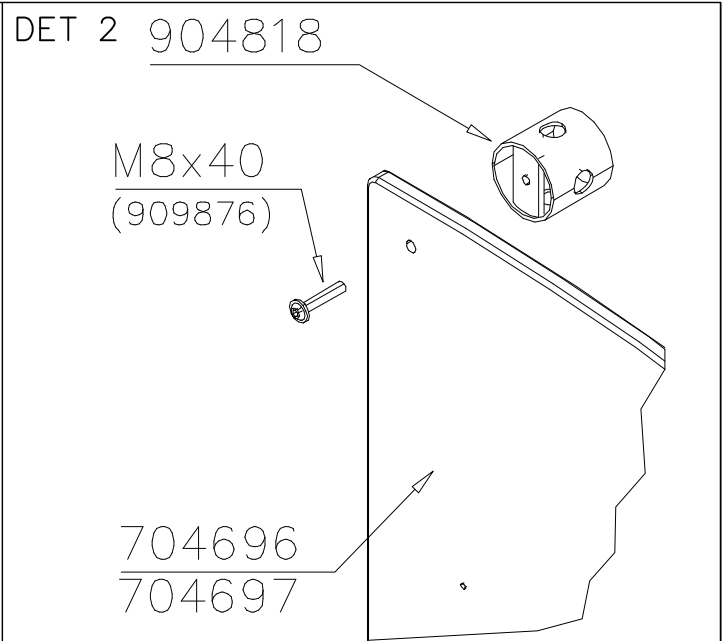
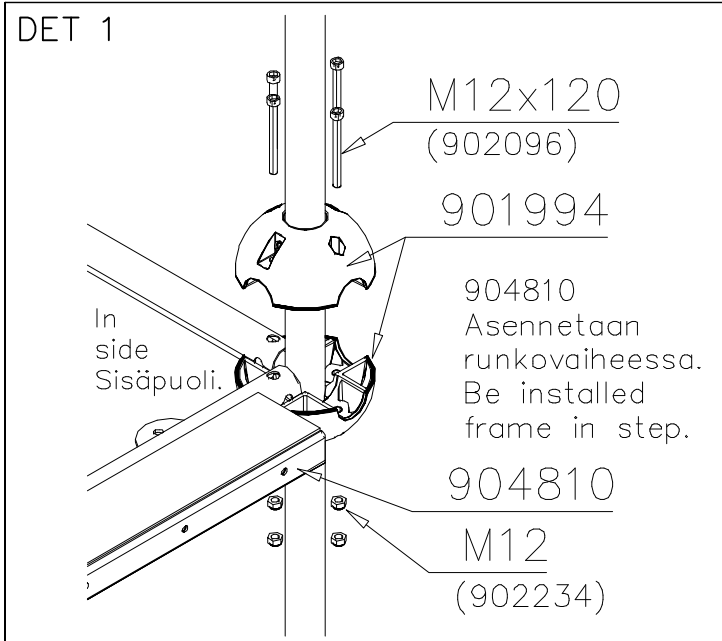
Huom!
 Käytä langalla merkittyä
 paria samassa liitoksessa.

Exploded view diagram of a mechanical assembly. The diagram shows various components labeled with circled numbers 1 through 13 and sub-assemblies labeled DET 1 through DET 7. Dimensions are provided for several parts and the overall assembly.

Dimensions shown in the diagram:

- 860 (vertical dimension on the left)
- 784 (vertical dimension on the right)
- 784 (horizontal dimension at the bottom)
- 468 (horizontal dimension at the top right)
- (870-1470-1970-2070) (vertical dimension on the right)

① 704696	PCS	② 704697	PCS
	1		1
③ 904810	PCS	④ 904818	PCS
	1		2
⑤ 904833	PCS	⑥ 909876	PCS
	1		4
Ø30x565		M8x40	
⑦ 980152	PCS	⑧ 900498	PCS
	9		6
Ø24/8.4		M8x50	
⑨ 999561	PCS	⑩ 709042	PCS
	1		2
GLUE 4101 ergo 10 g			
10 g			
		⑪ 909855	PCS
			8
		M8x35	
		⑫ 910683	PCS
			4
		Ø11	
		⑬ 909850	PCS
			3
		M8x25	



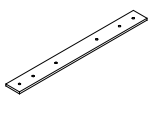
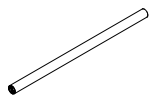

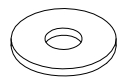
LAPPSET

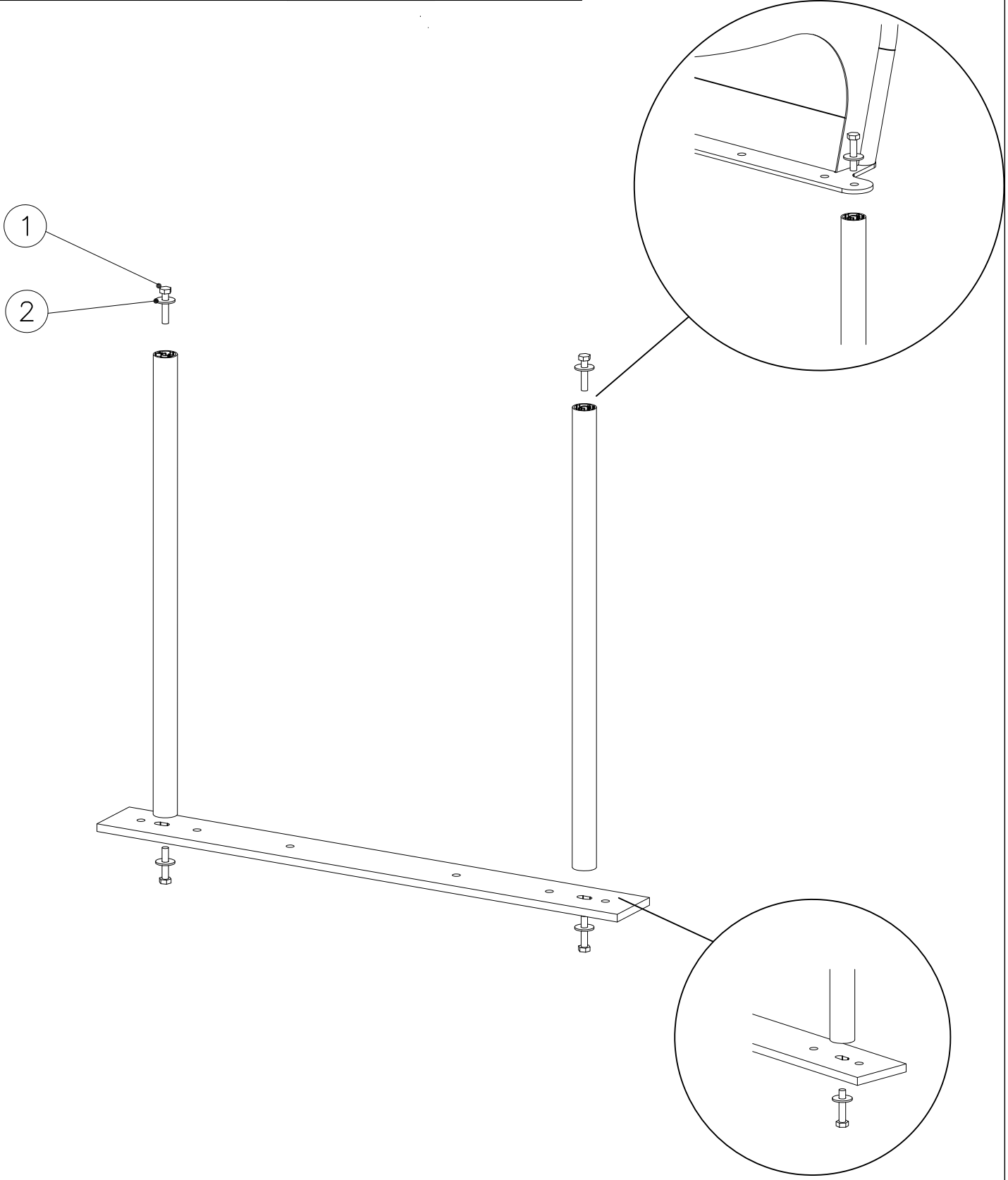
DEEP FOUNDATION

SLIDE METAL

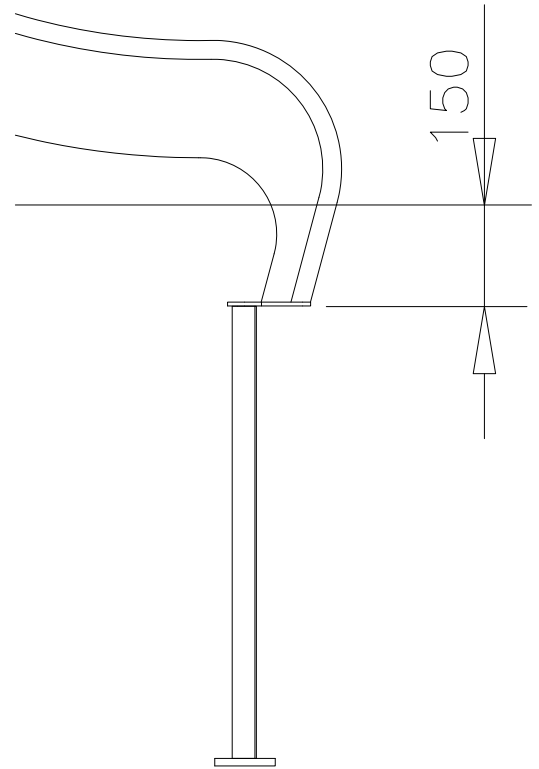
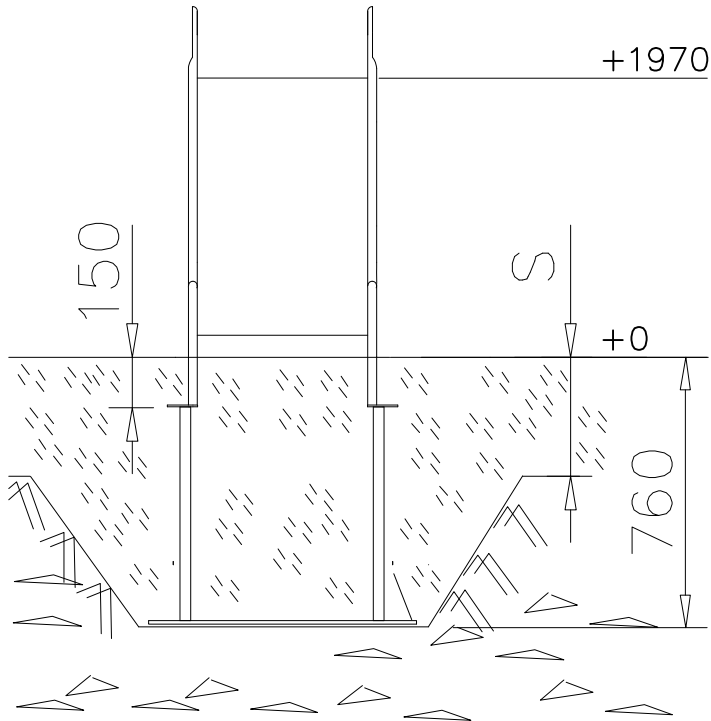
DATE: 11.2.2019

1(1)

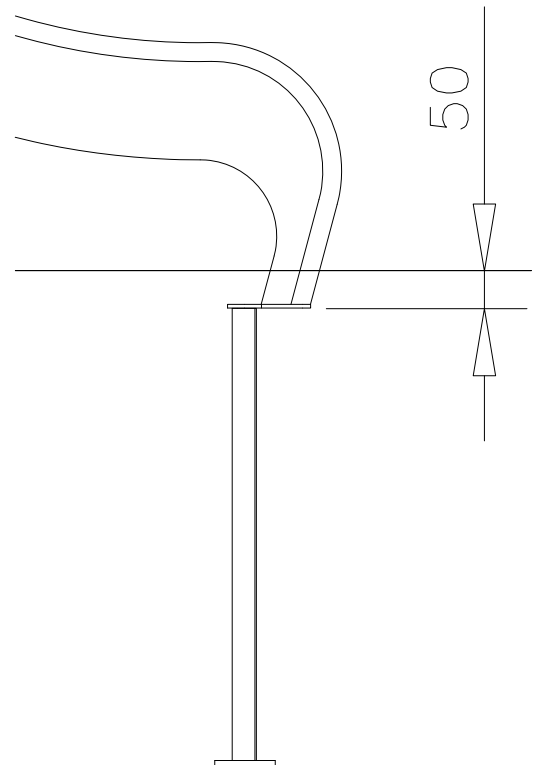
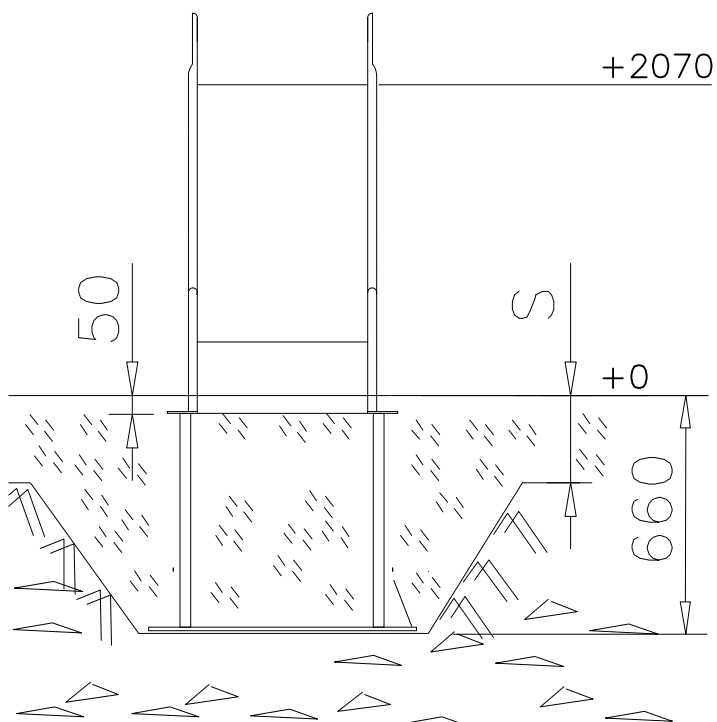
○ 707133	PCS	○ 901868	PCS	① 909210	PCS	② 905051	PCS
	1		2		4		4
							
10x80x745		Ø30x598		M8x40		Ø24/8.4	

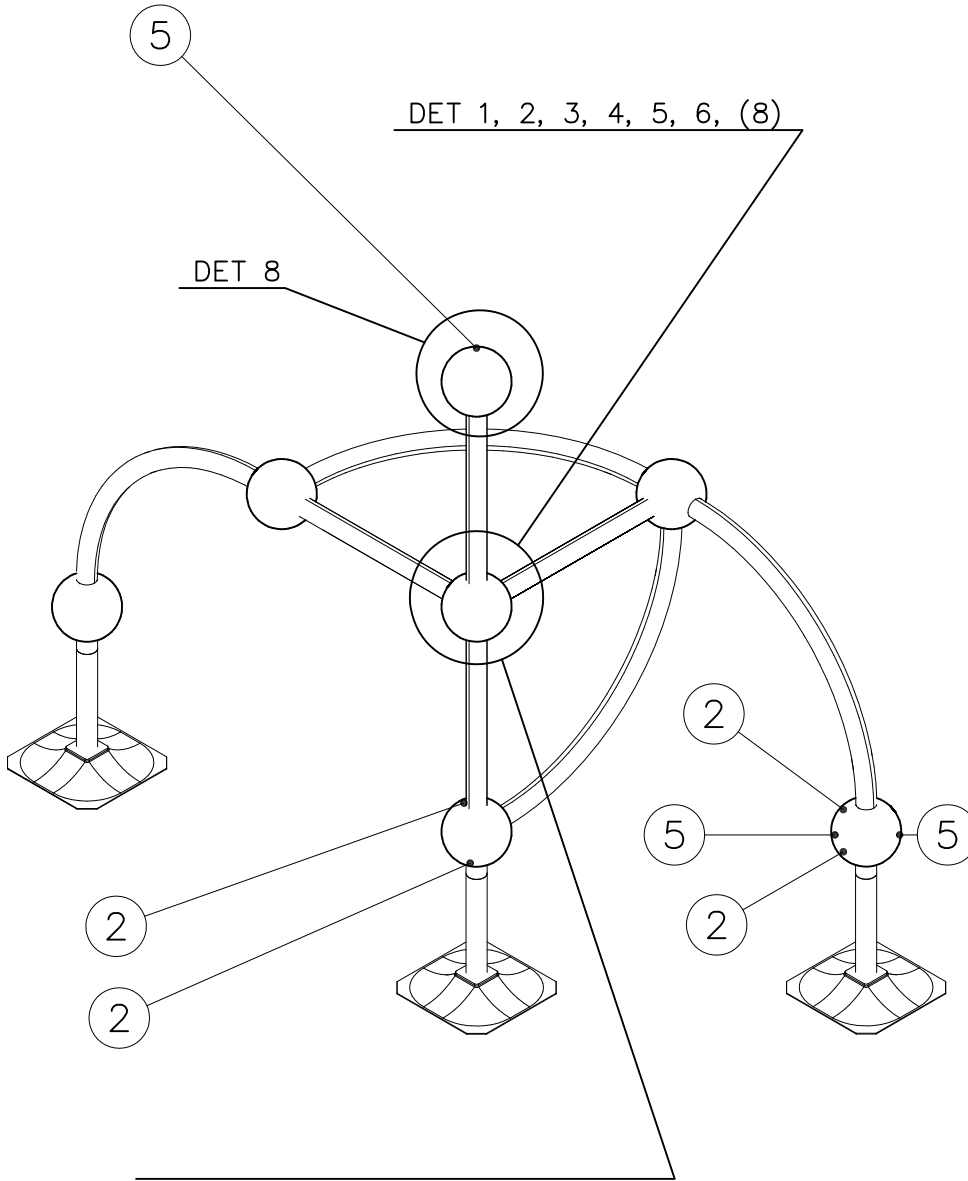


Floor level +1970

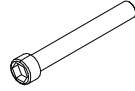
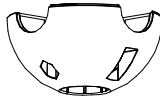
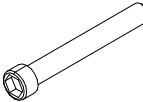



Floor level +2070

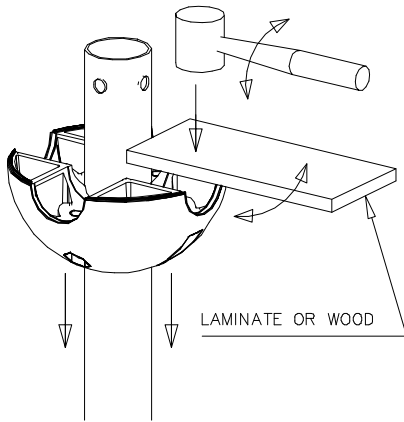




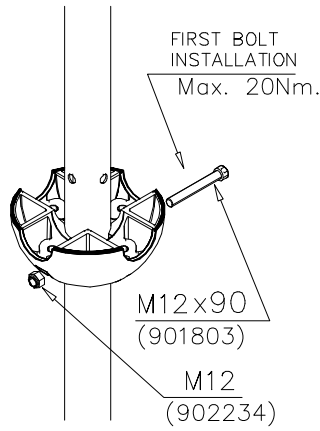
DO NOT TIGHTEN THE JOINTS UNTIL THE STRUCTURE IS COMPLETE.

① 901803	PCS	② 901994	PCS
	2		2
M12x90		Ø190	
③ 902096	PCS	④ 902234	PCS
	4		6
M12x120		M12	
	PCS		PCS
	PCS		PCS
	PCS		PCS
	PCS		PCS
	PCS		PCS
	PCS		PCS

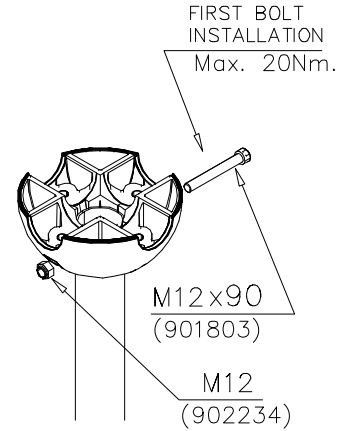
DET 1



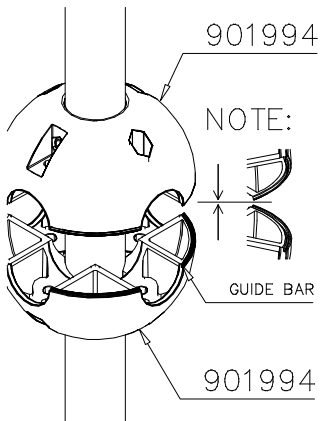
DET 2



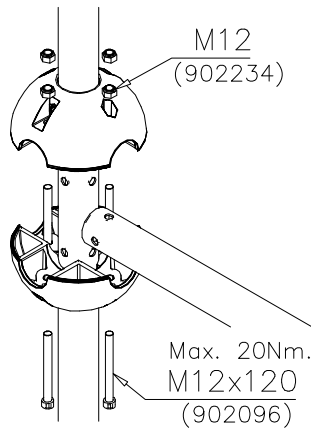
DET 3



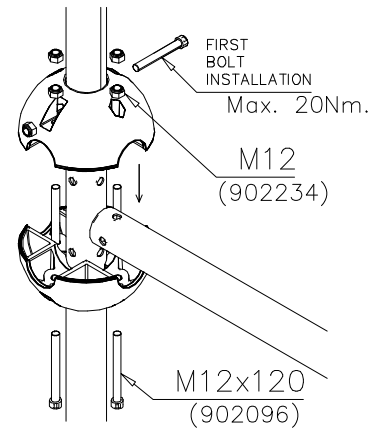
DET 4



DET 5

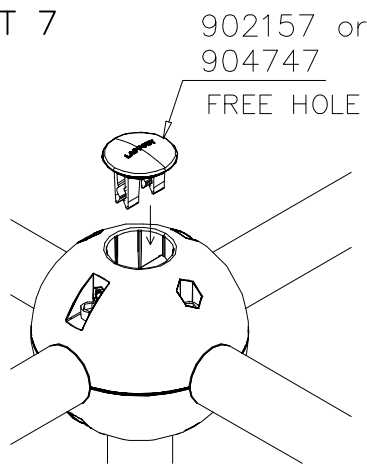


DET 6



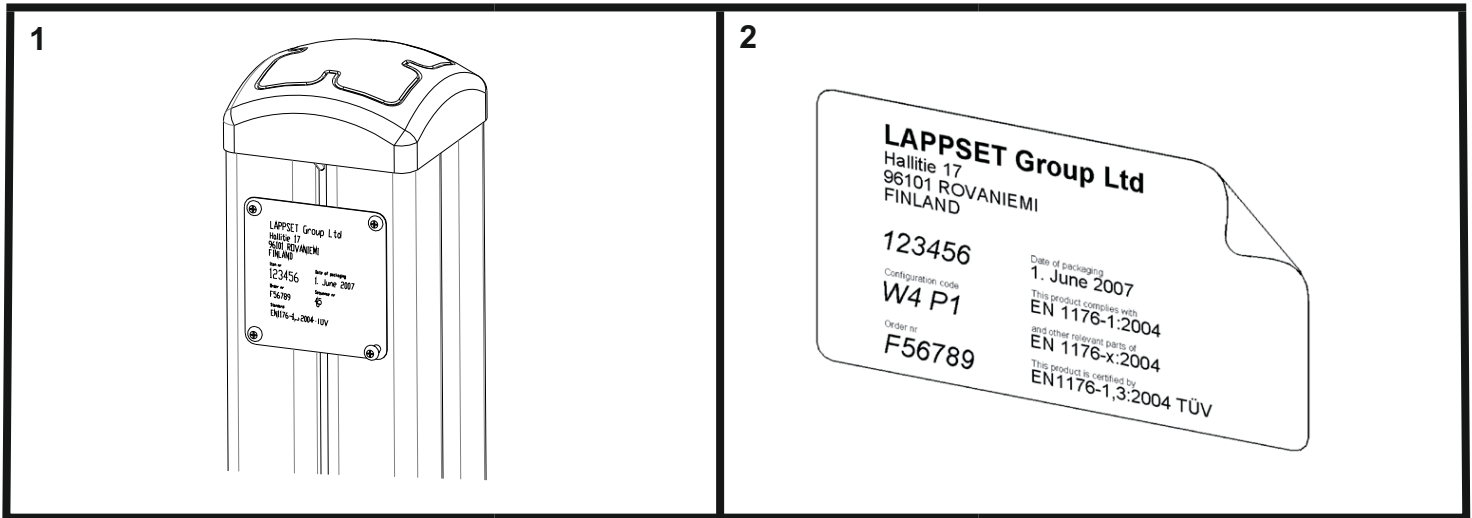
REMEMBER
FINAL
TIGHTENING

DET 7



DET 8





Tuotekyltti tulee tuotteen mukana yhdellä seuraavista tavoista:

1) Metallinen tuotekyltti ja kiinnitysruuvit

- Kiinnitä tuotekyltti ruuveilla tolppaan noin 2 metrin korkeuteen kuvan 2 mukaisesti.

2) Tuotekylttitarra

- Puhdista maalattu metalli- tai vaneripinta pölystä ja kosteudesta. Liimaa tarra kuvan 3 mukaisesti.
- Huom. Älä kiinnitä tarraa karheapintaiseen laminaattiin tai maalattuun puuhun.

Vår produktmärkning levereras på ett av följande sätt:

1) Produktskylt i metall

- Fäst skylten med de medföljande skruvarna

2) Självhäftande produktetikett

- Rengördenpulverlackerademetallytanellerlaminatytansåattdenblirfrifrånsmutsochfukt.Fästetikettenenligtfig.3.
- Obs! Fäst ej etiketten på detaljer med skrovlig yta eller på målat trä.

Product label is delivered by one of following ways:

1) Metal product label and screws

- Fasten the label with screws.

2) Label sticker

- Cleanthepaintedmetalorplywoodsurfacefromdirtandmoisture.Fastenthestickerasshowninthefigure3.
- Note. Do not attach the sticker to rough surfaced laminate or painted wood.

La plaque d'informations produit est livrée sous l'une de ces 3 formes :

1) Plaque métallique et vis

- Fixez la plaque à l'aide des vis.

2) Etiquette autocollante

- Avant de coller l'étiquette, nettoyez le composant métallique peint ou la plaque de contreplaqué, de toute saleté. La surface doit être sèche (voir image 3).
- Attention, ne pas coller l'étiquette sur une surface lamellé-collée irrégulière ou sur du bois peint.

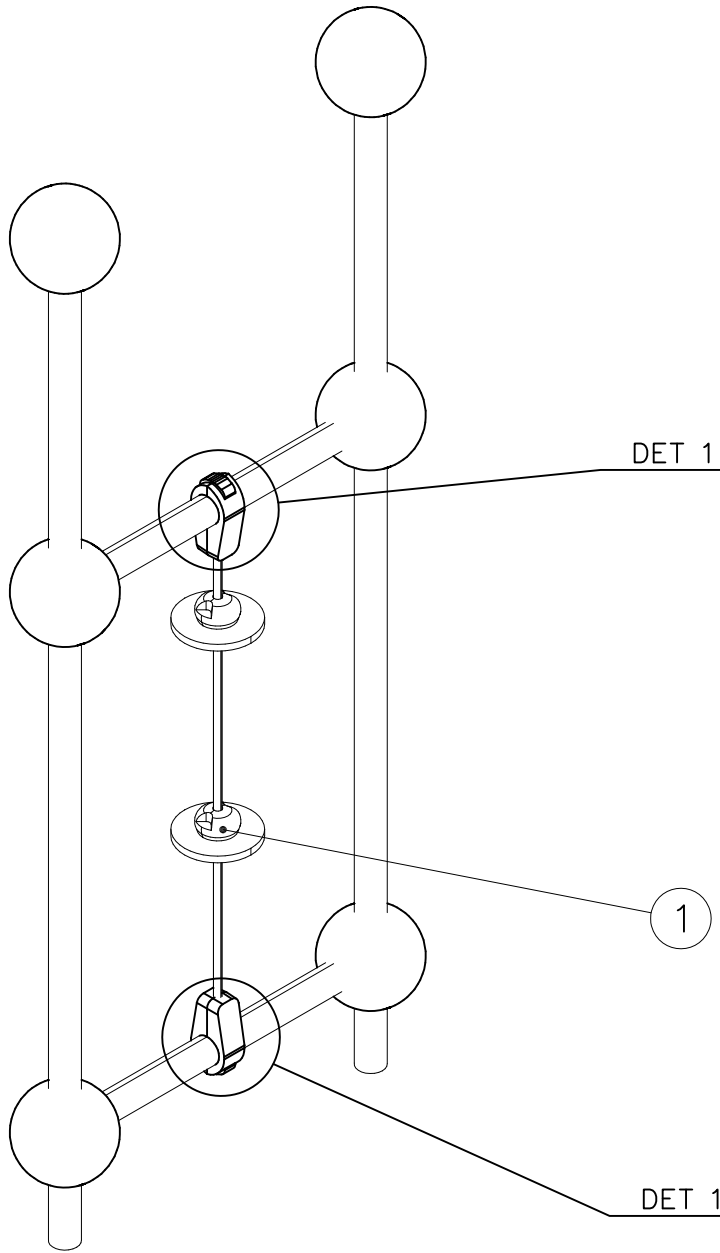
Die Auslieferung des Produktaufklebers erfolgt auf eine dieser Arten:

1) Produkt-Schild aus Metall incl. Schrauben

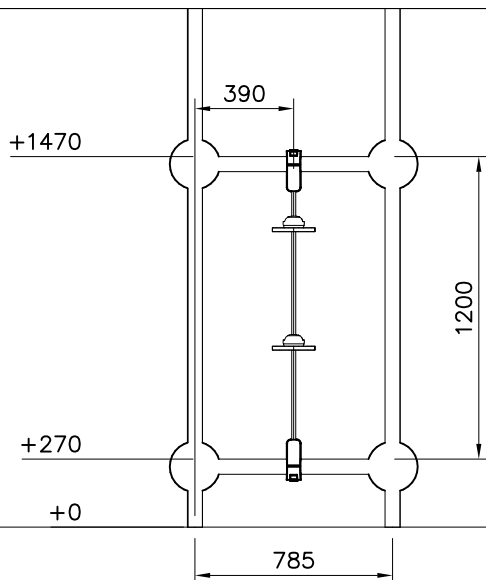
- Die Befestigung des Schildes erfolgt mittels der Schrauben.

2) Aufkleber

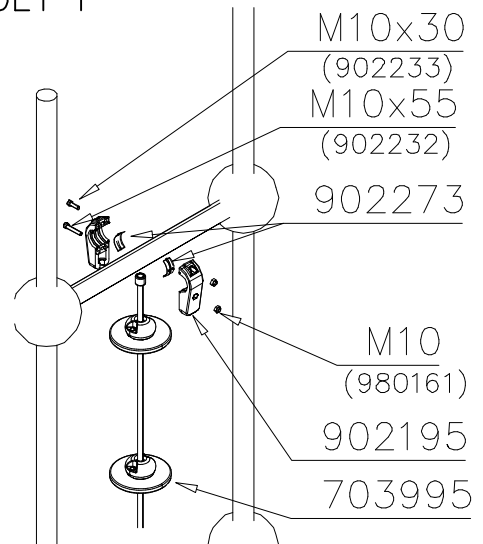
- EntfernenSiezunächstSchmutzundFeuchtigkeitvomlackiertenMetallbzw.vonderHolzoberflächeundbringenSiedenAufkleber wie im Bild oben rechts beschrieben auf den gesäuberten Untergrund auf.
- Beachten Sie: Bringen Sie den Aufkleber nicht auf raues laminiertes oder lackiertes Holz an.

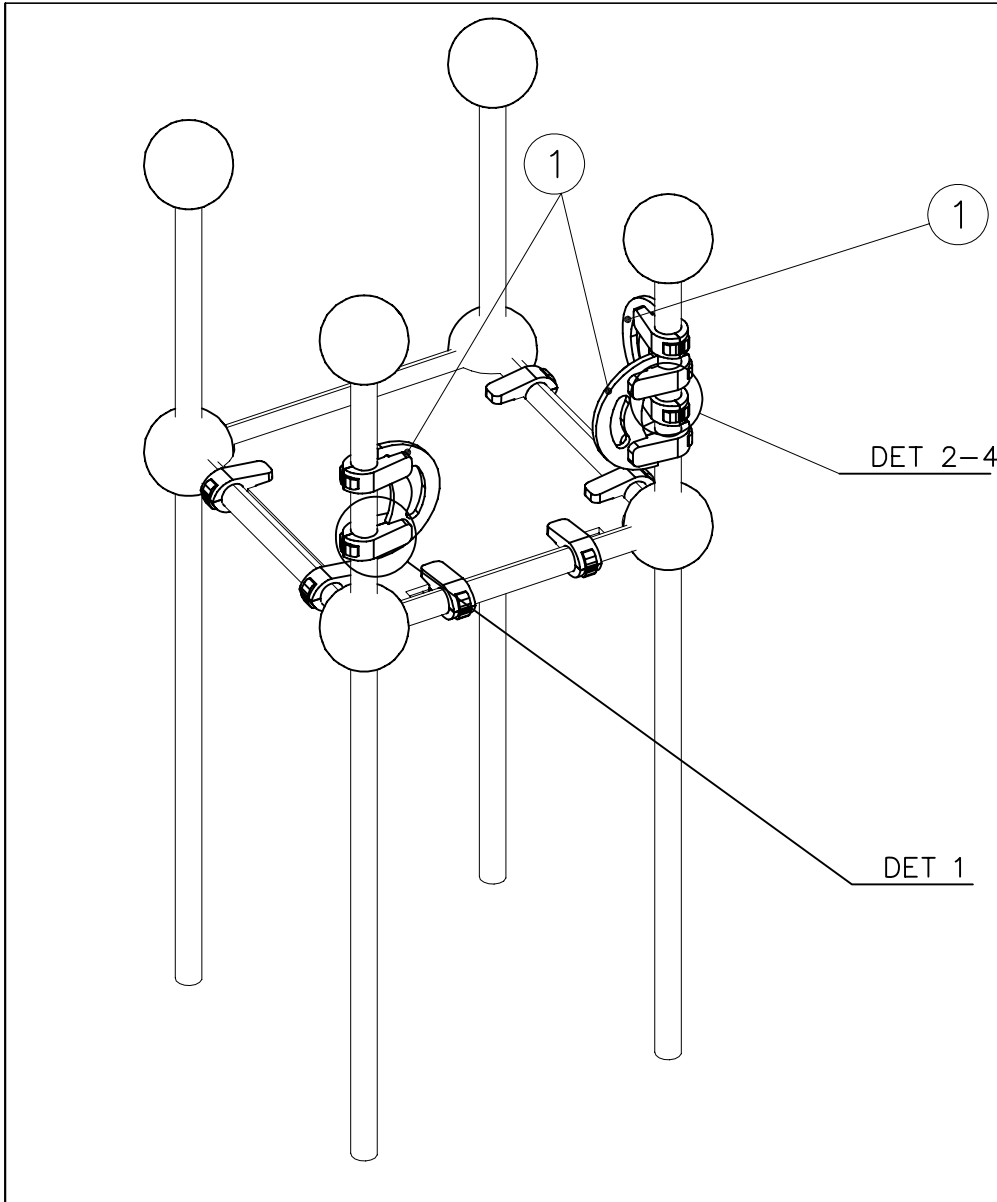


① 703995	PCS	② 902195	PCS
	1		4
1075		150x50x50	
③ 902232	PCS	④ 902233	PCS
	2		2
M10x55		M10x30	
⑤ 902273	PCS	⑥ 980161	PCS
	4		4
		M10	
	PCS		PCS
	PCS		PCS

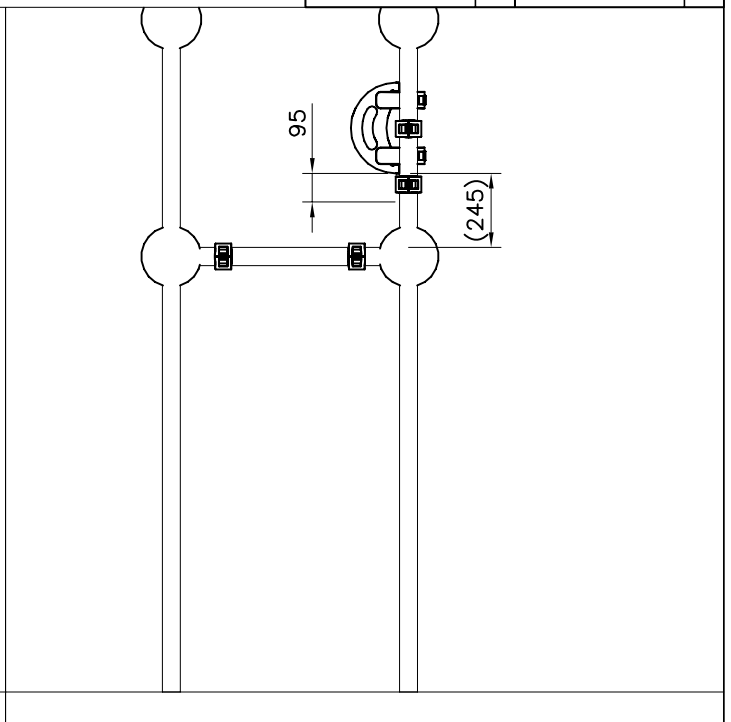
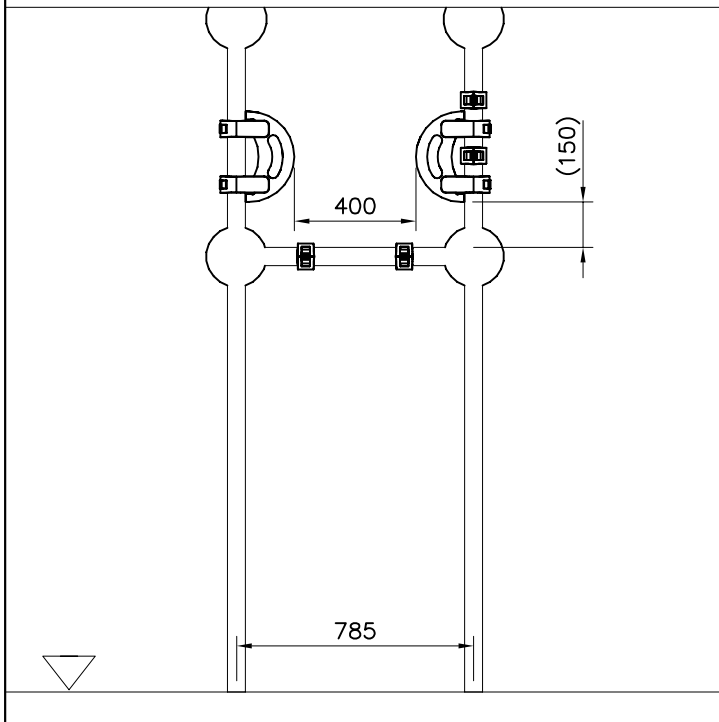


DET 1

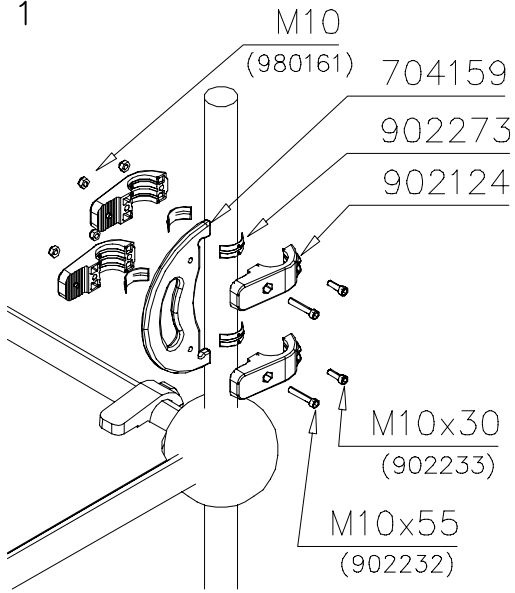




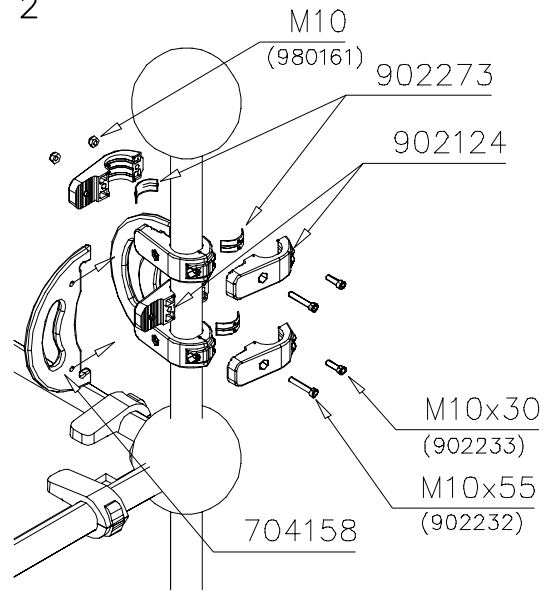
① 704158	PCS	② 902124	PCS
	1		4
		150x50x50	
③ 902232	PCS	④ 902233	PCS
	2		2
M10x55		M10x30	
⑤ 902273	PCS	⑥ 980161	PCS
	4		4
		M10	
	PCS		PCS
	PCS		PCS



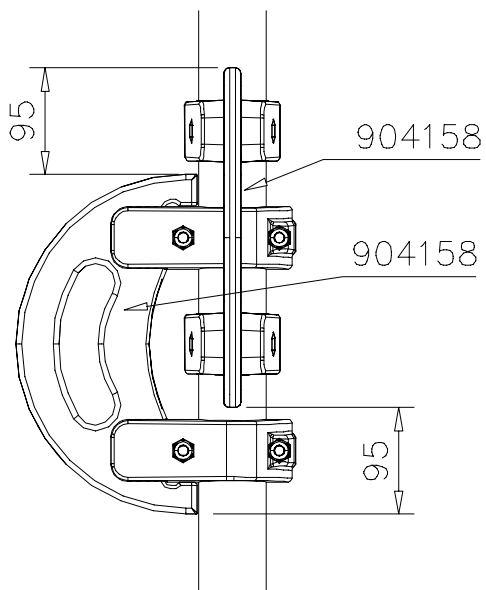
DET 1



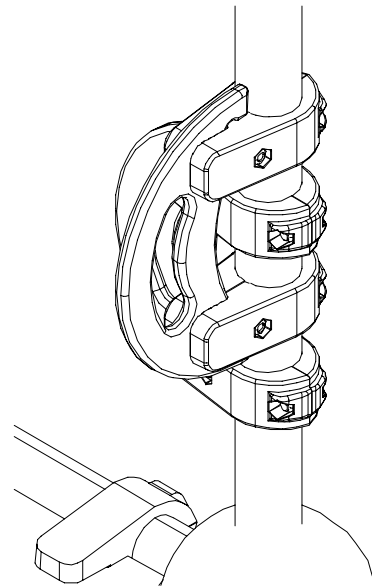
DET 2

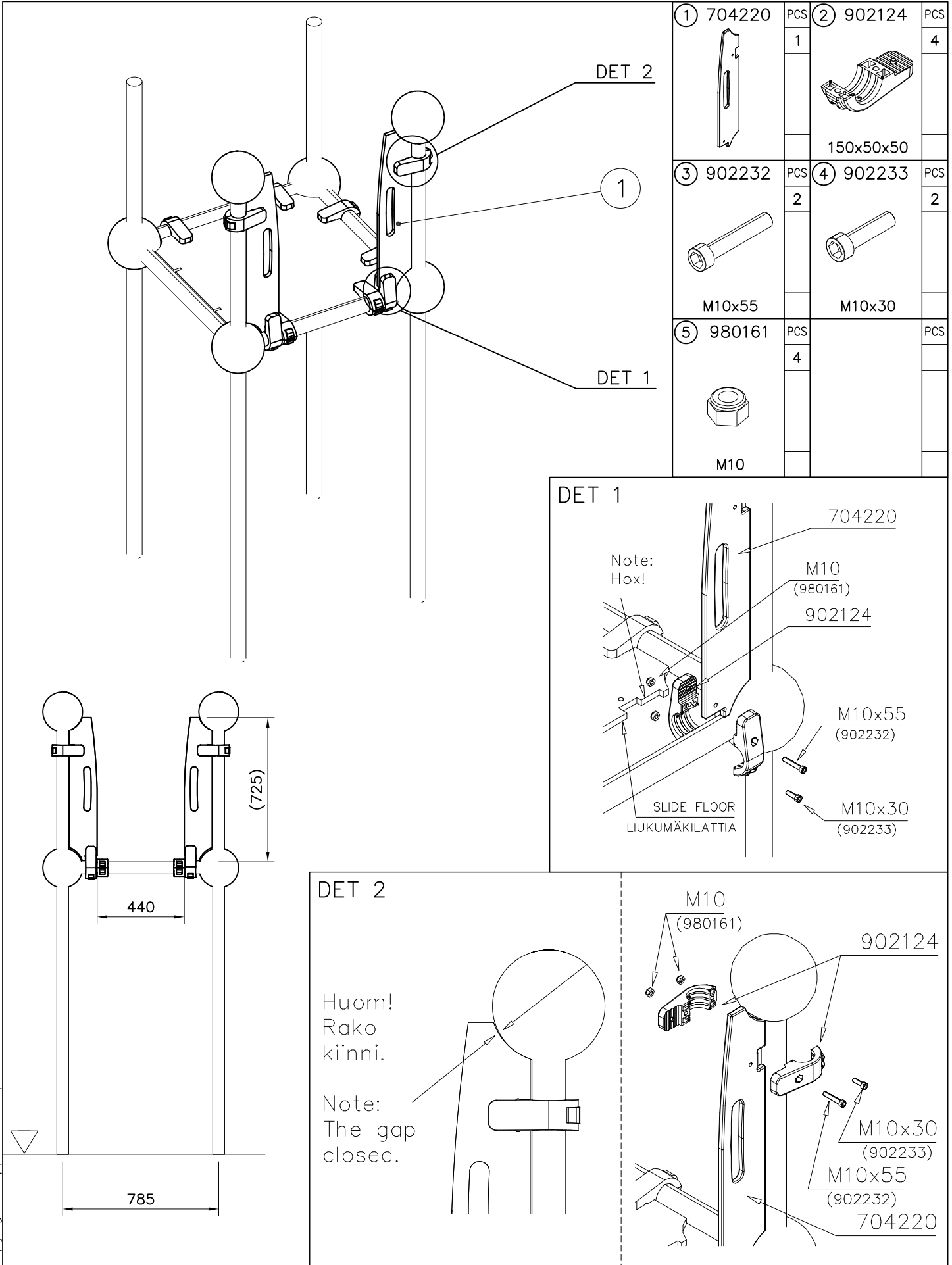


DET 3

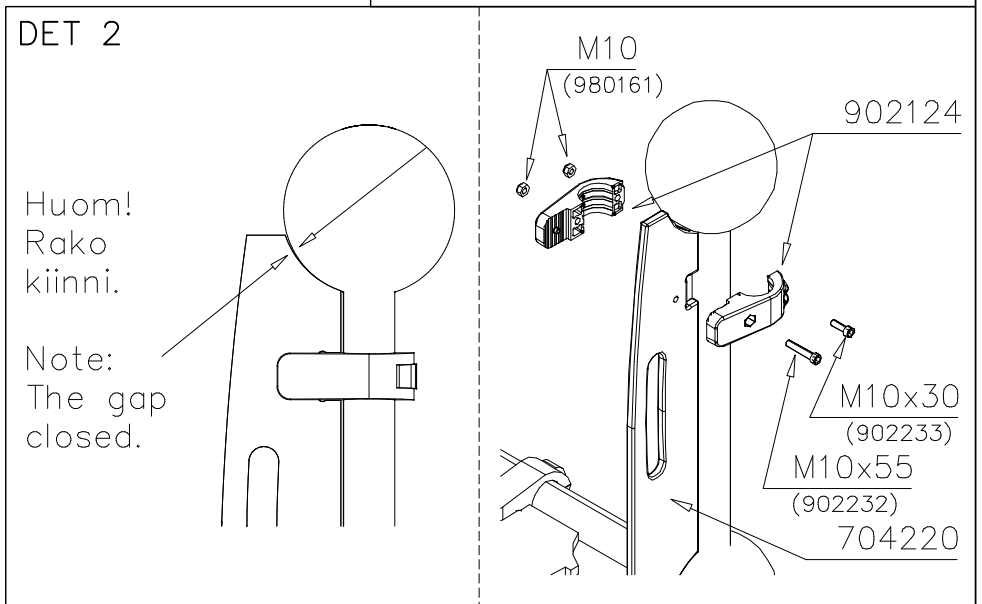
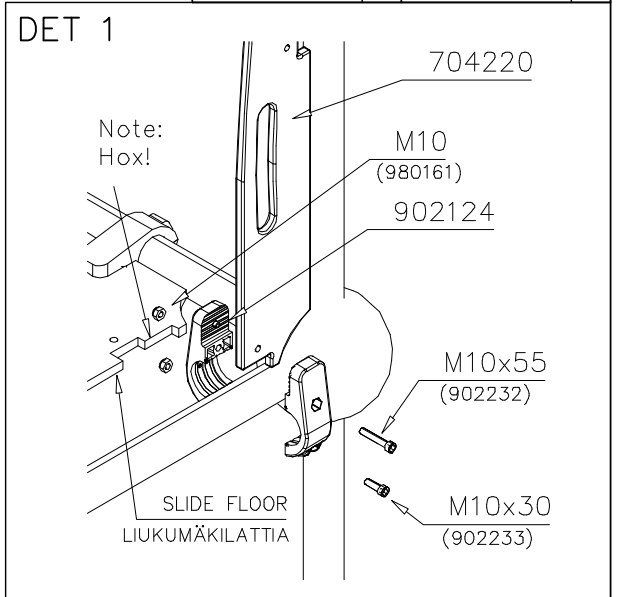


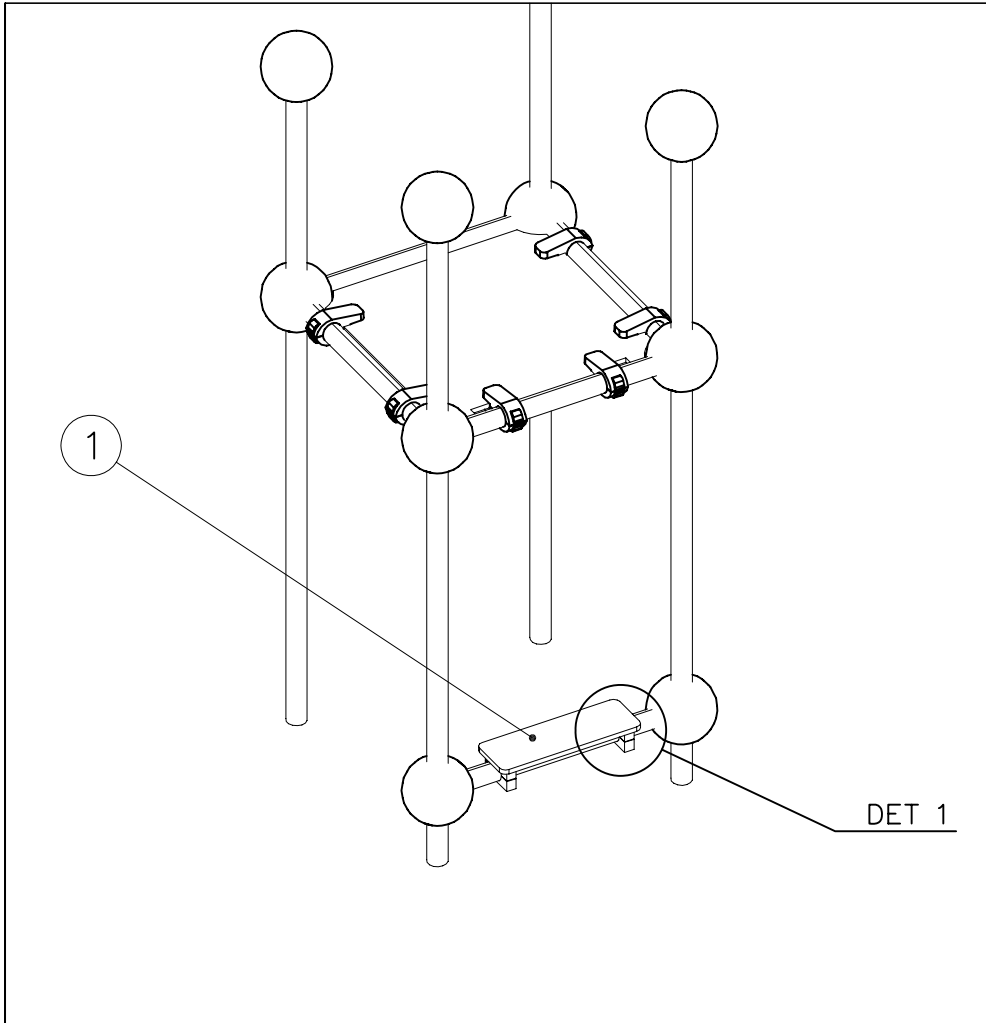
DET 4



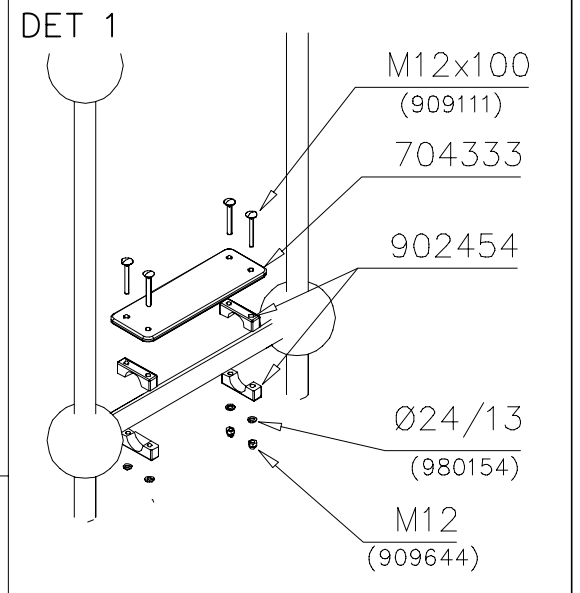
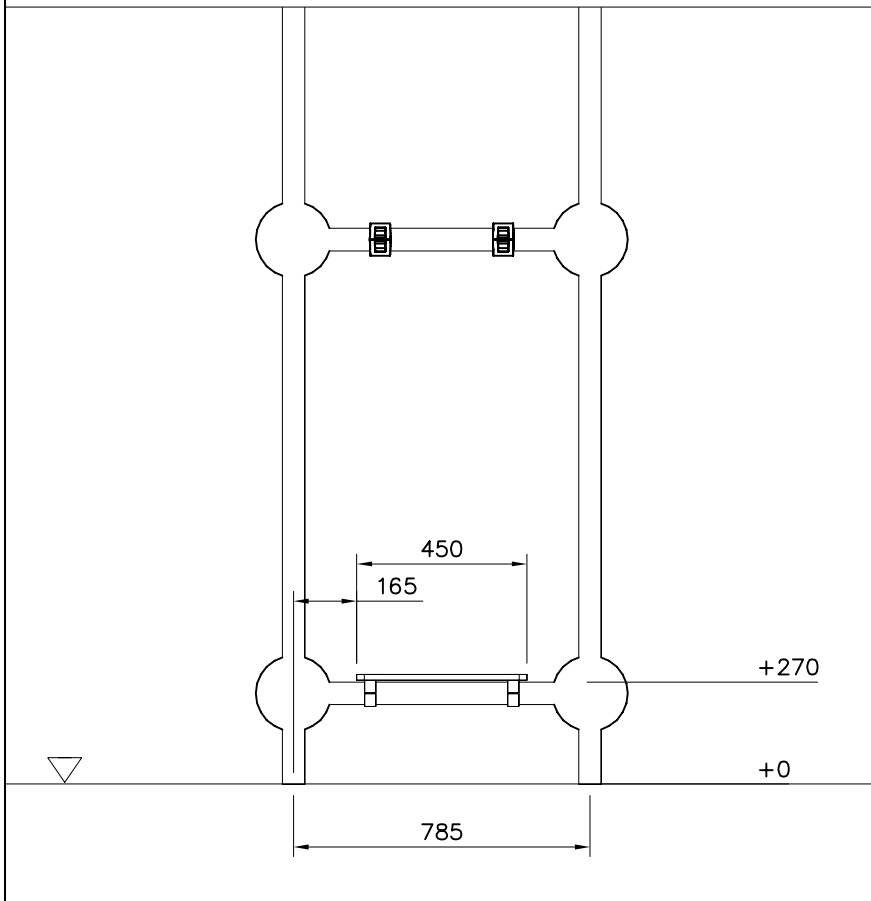


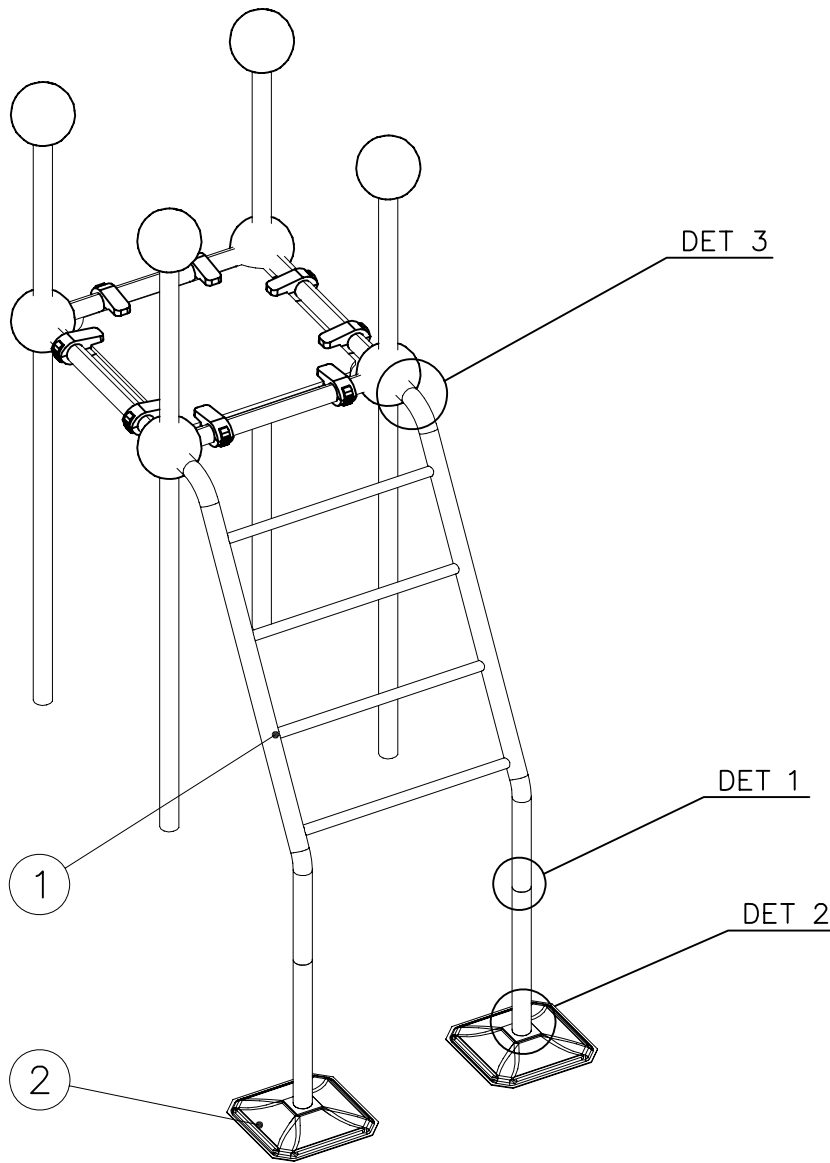
① 704220	PCS	② 902124	PCS
	1		4
		150x50x50	
③ 902232	PCS	④ 902233	PCS
	2		2
M10x55		M10x30	
⑤ 980161	PCS		PCS
	4		
M10			


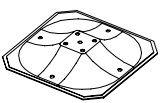
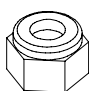
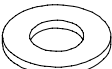
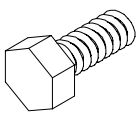


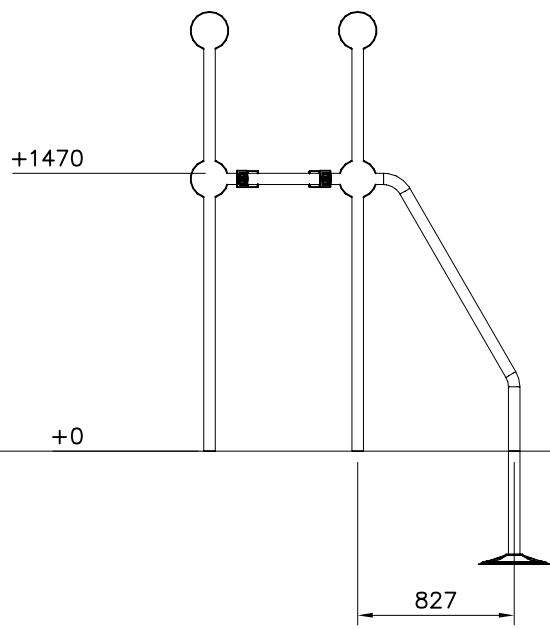
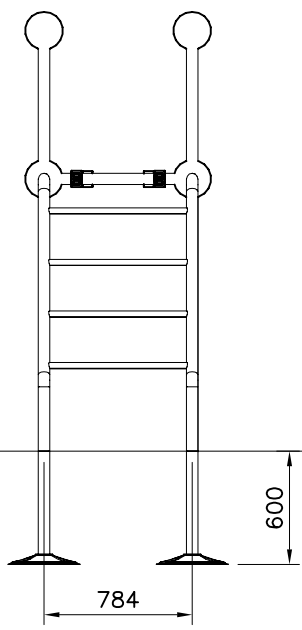


① 704333	PCS	② 902454	PCS
	1		4
③ 909111	PCS	④ 909644	PCS
	4		4
M12x100		M12	
⑤ 980154	PCS		PCS
	4		
Ø24/13			
	PCS		PCS
	PCS		PCS

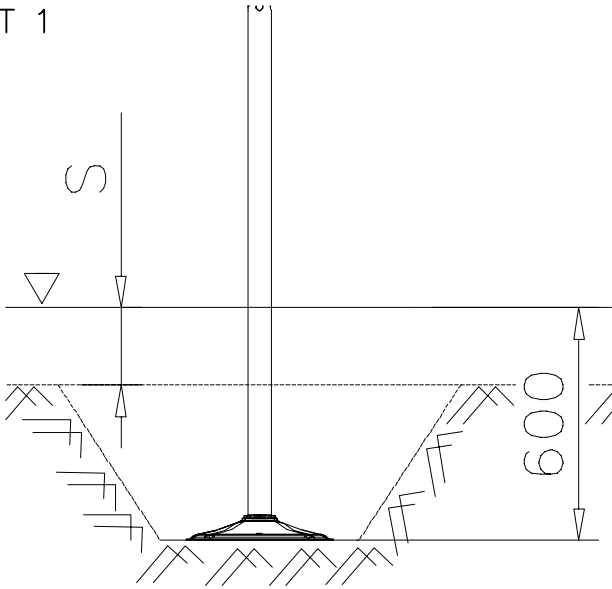




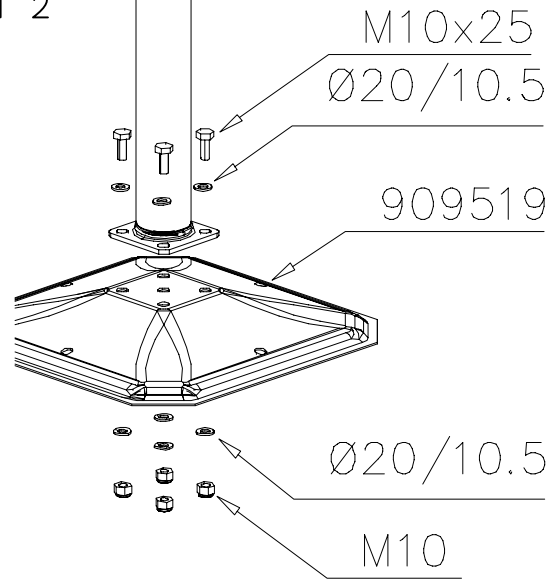
① 904493	PCS	② 909519	PCS
	1		2
		50x380x380	
③ 909637	PCS	④ 909638	PCS
	8		16
M10		Ø20/10.5	
⑤ 909639	PCS		PCS
	8		
M10x25			
	PCS		PCS
	PCS		PCS



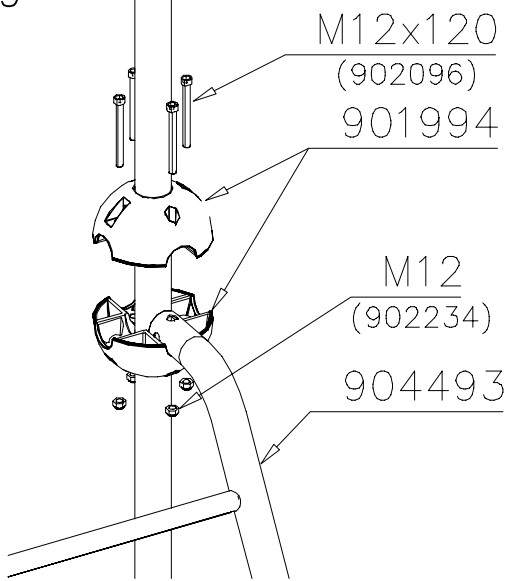
DET 1

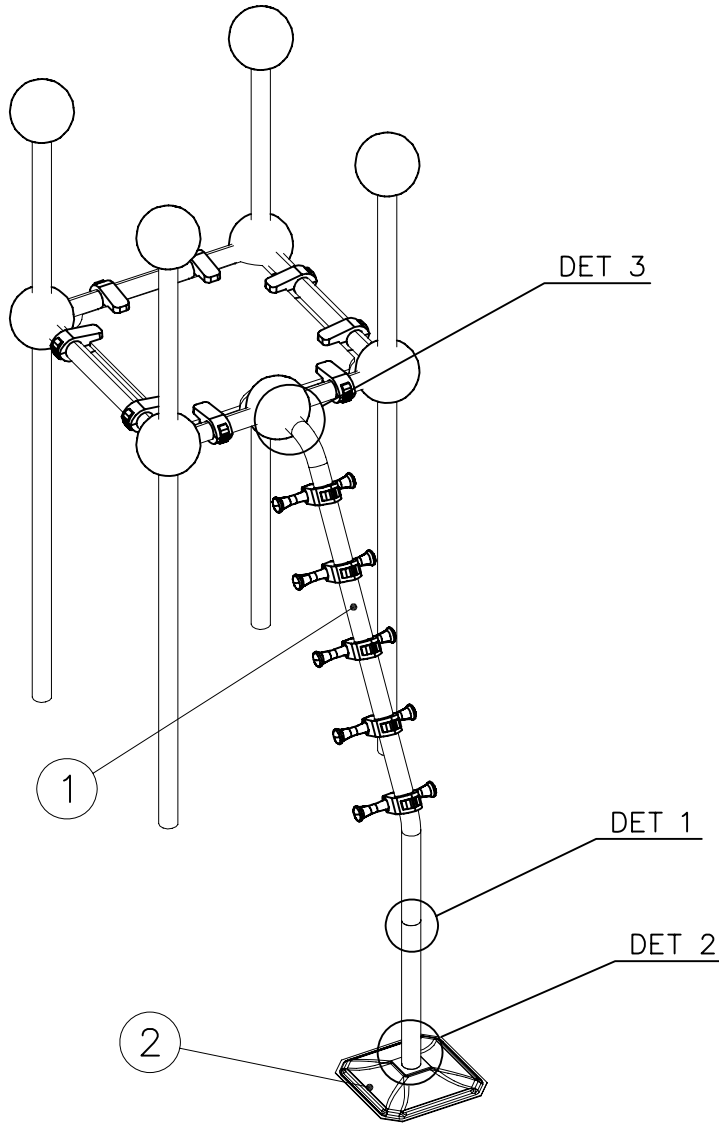


DET 2

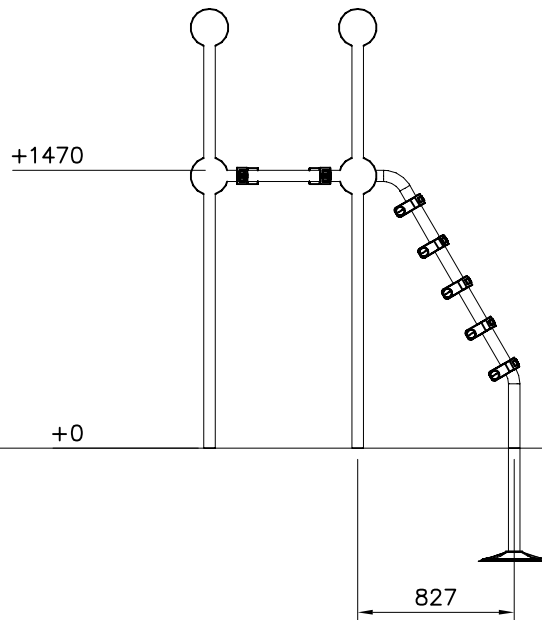
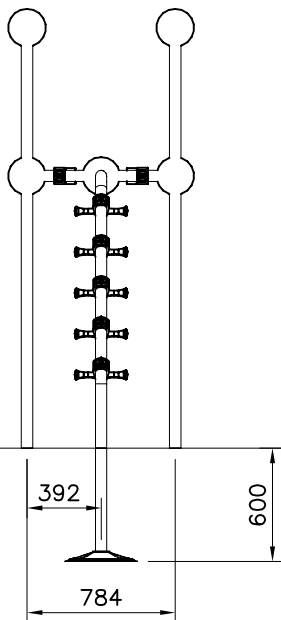


DET 3

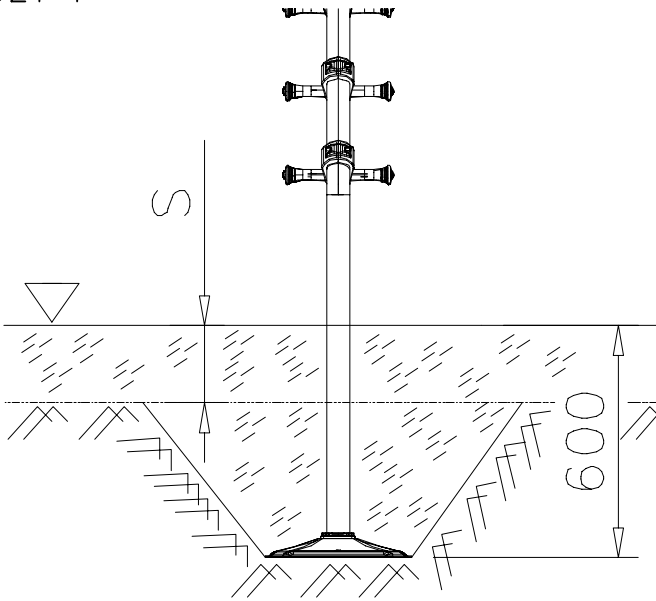




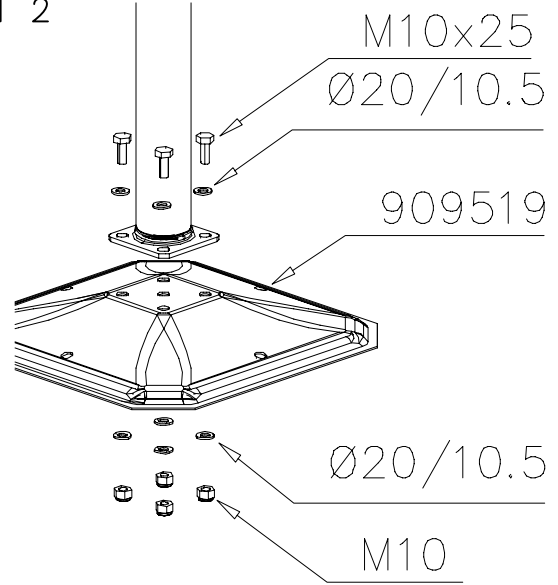
① 704439	PCS	② 909519	PCS
	1		1
		50x380x380	
③ 909637	PCS	④ 909638	PCS
	4		8
M10		Ø20/10.5	
⑤ 909639	PCS		PCS
	4		
M10x25			
	PCS		PCS
	PCS		PCS



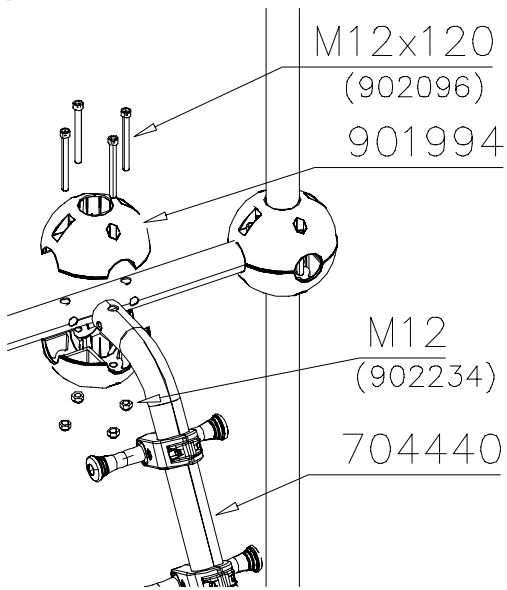
DET 1

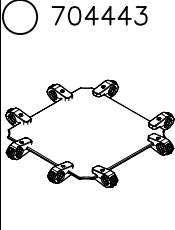
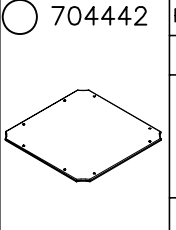
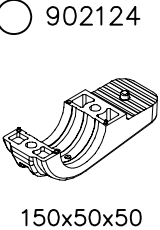
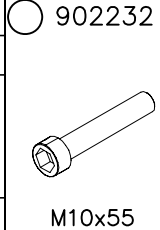
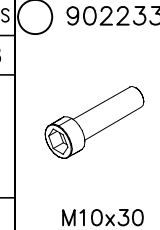
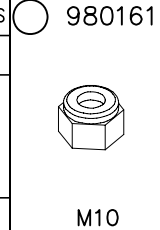
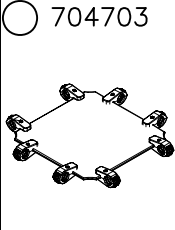
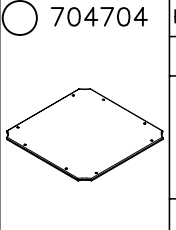
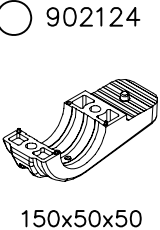
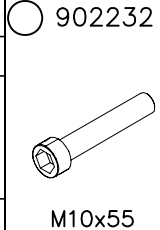
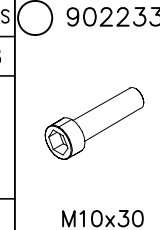
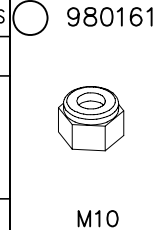
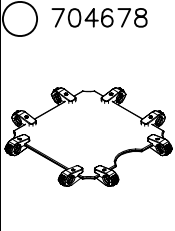
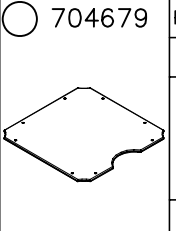
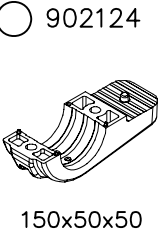
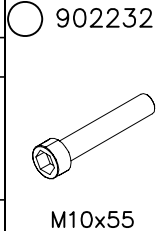
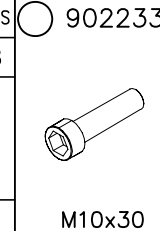
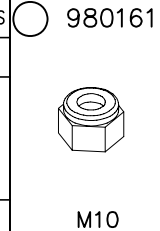
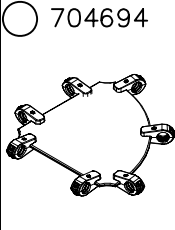
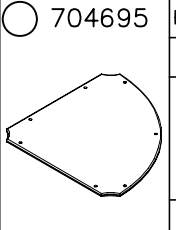
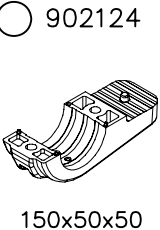
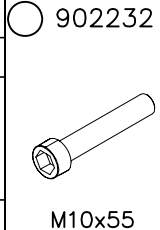
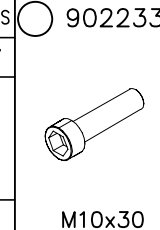
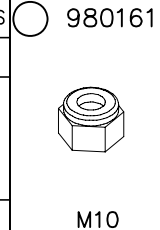


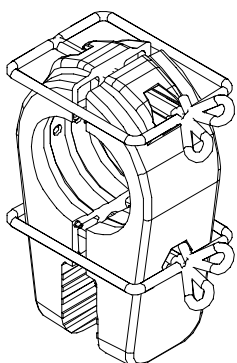
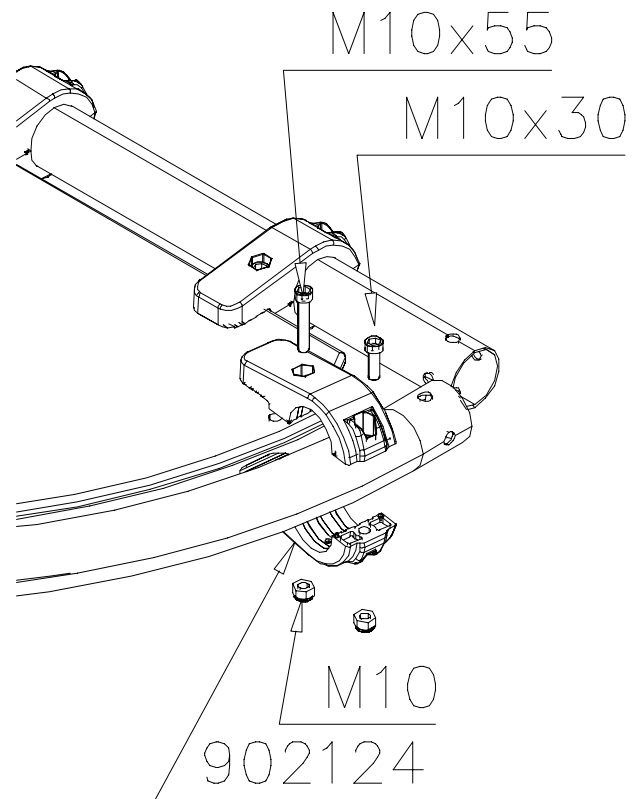
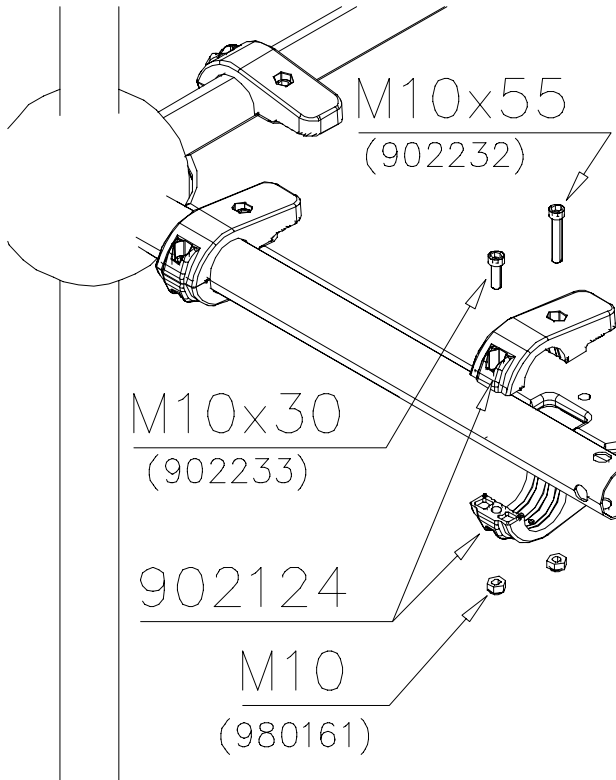
DET 2



DET 3



 <p>○ 704443</p>	 <p>○ 704442</p>	<p>PCS</p> <p>1</p>	 <p>○ 902124</p> <p>150x50x50</p>	<p>PCS</p> <p>16</p>	 <p>○ 902232</p> <p>M10x55</p>	<p>PCS</p> <p>8</p>	 <p>○ 902233</p> <p>M10x30</p>	<p>PCS</p> <p>8</p>	 <p>○ 980161</p> <p>M10</p>	<p>PCS</p> <p>16</p>		<p>PCS</p>
 <p>○ 704703</p>	 <p>○ 704704</p>	<p>PCS</p> <p>1</p>	 <p>○ 902124</p> <p>150x50x50</p>	<p>PCS</p> <p>16</p>	 <p>○ 902232</p> <p>M10x55</p>	<p>PCS</p> <p>8</p>	 <p>○ 902233</p> <p>M10x30</p>	<p>PCS</p> <p>8</p>	 <p>○ 980161</p> <p>M10</p>	<p>PCS</p> <p>16</p>		<p>PCS</p>
 <p>○ 704678</p>	 <p>○ 704679</p>	<p>PCS</p> <p>1</p>	 <p>○ 902124</p> <p>150x50x50</p>	<p>PCS</p> <p>16</p>	 <p>○ 902232</p> <p>M10x55</p>	<p>PCS</p> <p>8</p>	 <p>○ 902233</p> <p>M10x30</p>	<p>PCS</p> <p>8</p>	 <p>○ 980161</p> <p>M10</p>	<p>PCS</p> <p>16</p>		<p>PCS</p>
 <p>○ 704694</p>	 <p>○ 704695</p>	<p>PCS</p> <p>1</p>	 <p>○ 902124</p> <p>150x50x50</p>	<p>PCS</p> <p>14</p>	 <p>○ 902232</p> <p>M10x55</p>	<p>PCS</p> <p>7</p>	 <p>○ 902233</p> <p>M10x30</p>	<p>PCS</p> <p>7</p>	 <p>○ 980161</p> <p>M10</p>	<p>PCS</p> <p>14</p>		<p>PCS</p>
		<p>PCS</p>		<p>PCS</p>		<p>PCS</p>		<p>PCS</p>		<p>PCS</p>		<p>PCS</p>
		<p>PCS</p>		<p>PCS</p>		<p>PCS</p>		<p>PCS</p>		<p>PCS</p>		<p>PCS</p>
		<p>PCS</p>		<p>PCS</p>		<p>PCS</p>		<p>PCS</p>		<p>PCS</p>		<p>PCS</p>
		<p>PCS</p>		<p>PCS</p>		<p>PCS</p>		<p>PCS</p>		<p>PCS</p>		<p>PCS</p>



NOTE:

Use a wire marked pairs of the same junction.

Huom!

Käytä langalla merkittyä paria samassa liitoksessa.