

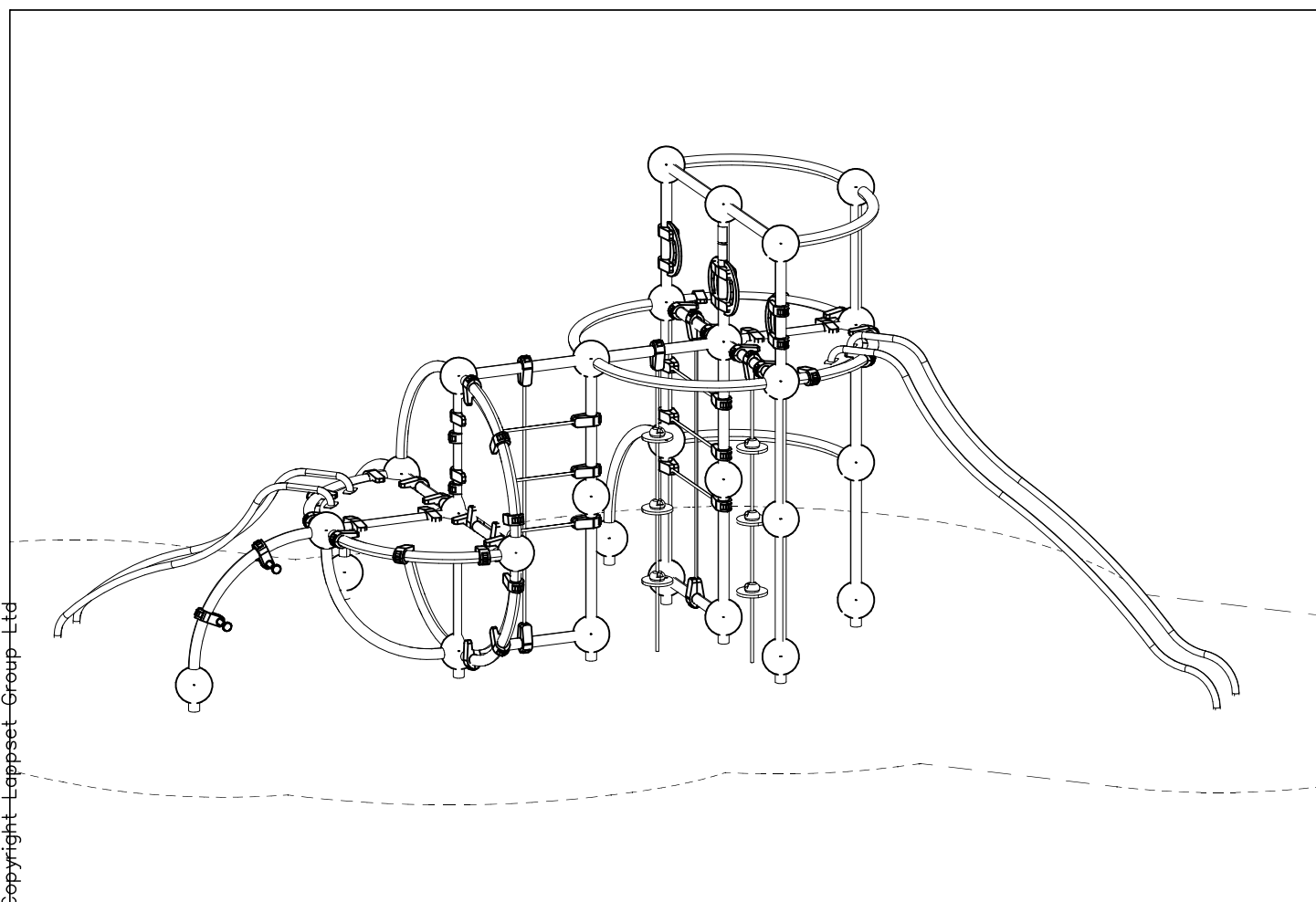
# **LAPPSET®**

## **CLOXX**

ASENNUSOHJE  
MONTERINGSANSVISNING  
INSTALLATION INSTRUCTION  
AUFBAUANLEITUNG  
NOTICE D'INSTALLATION

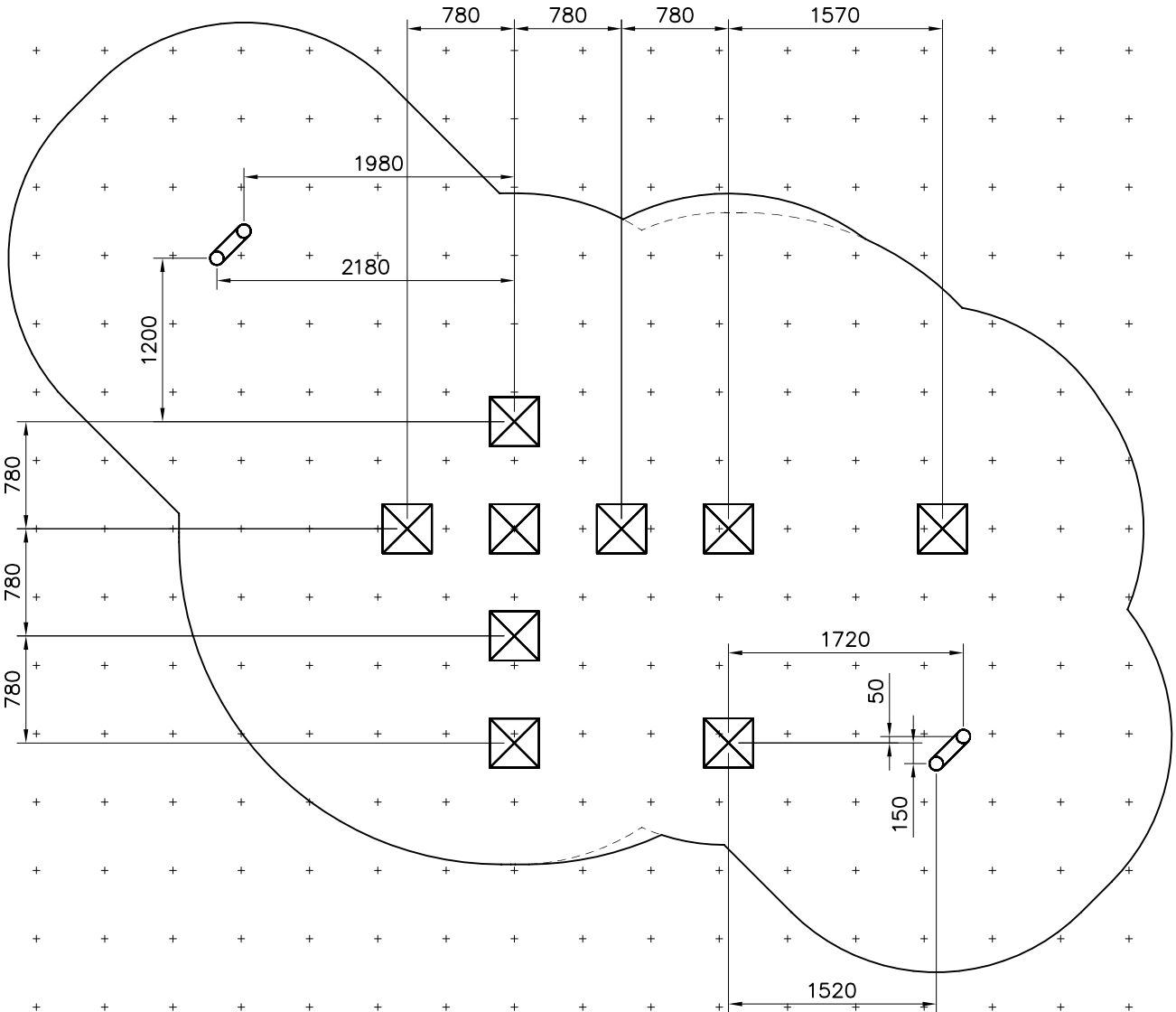
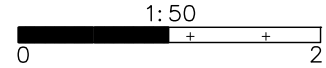
REF: 220140  
DATE: 11.1.2018

## **220140**

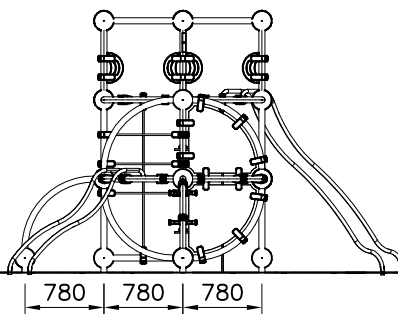
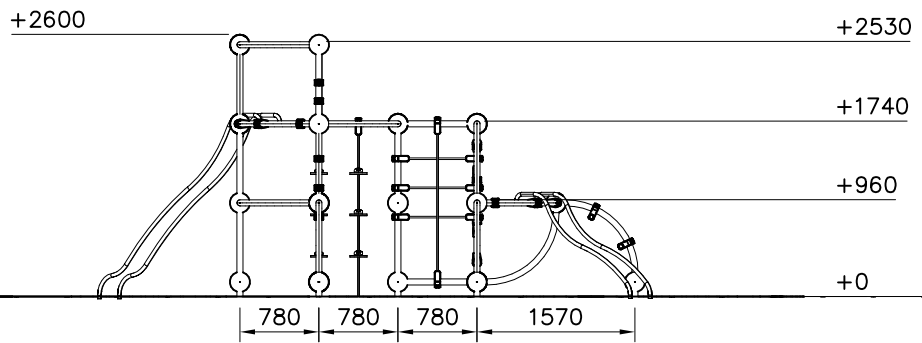
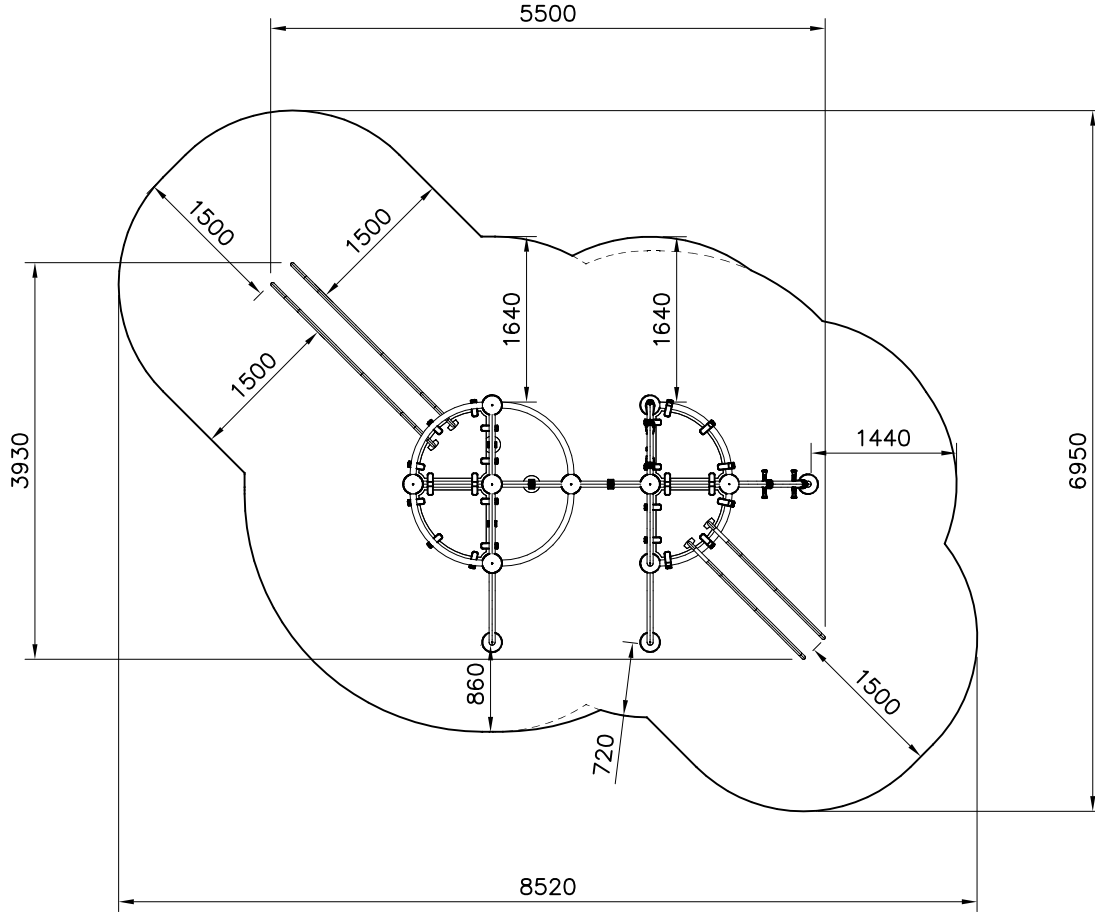
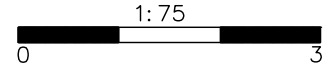


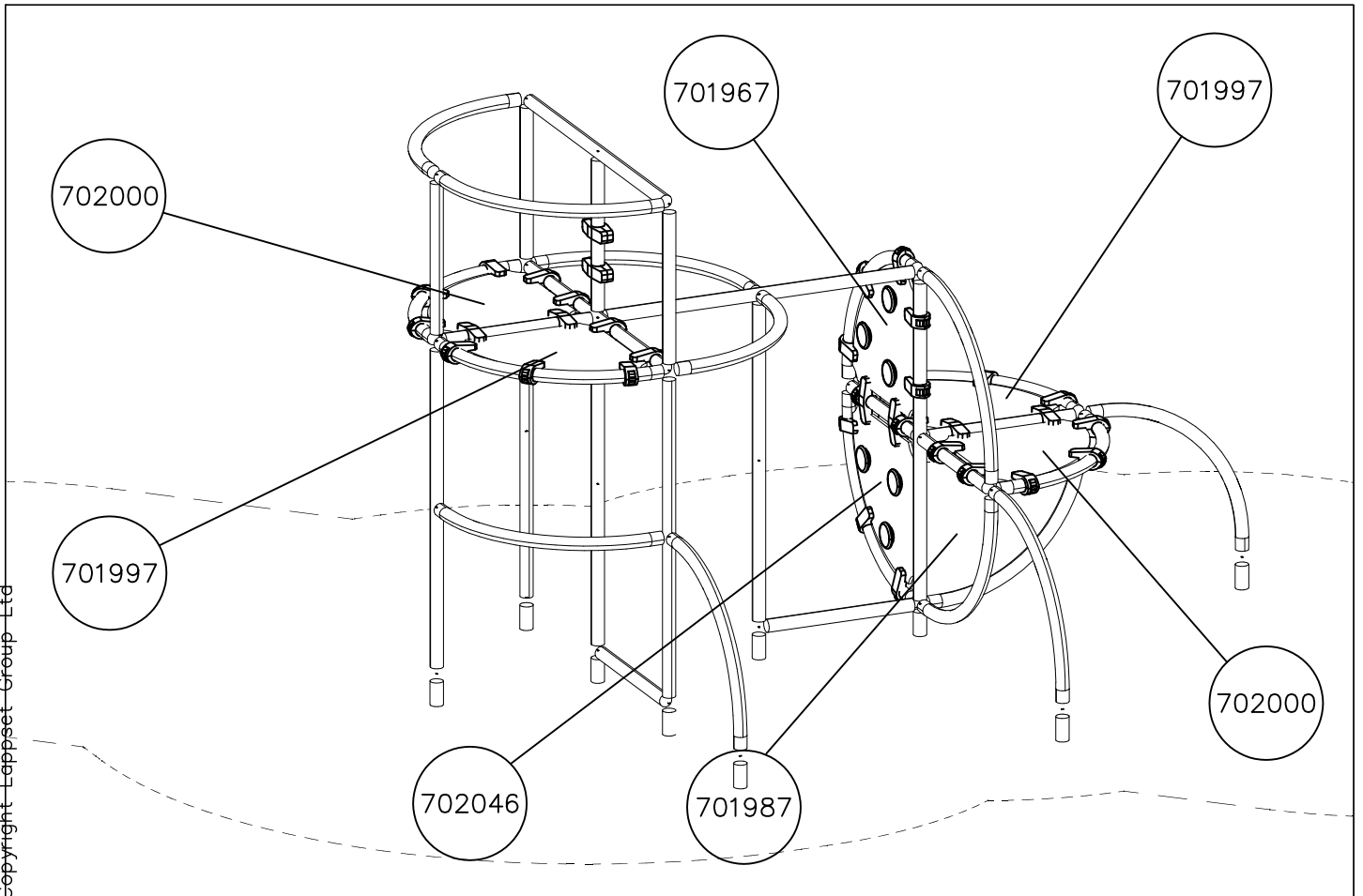
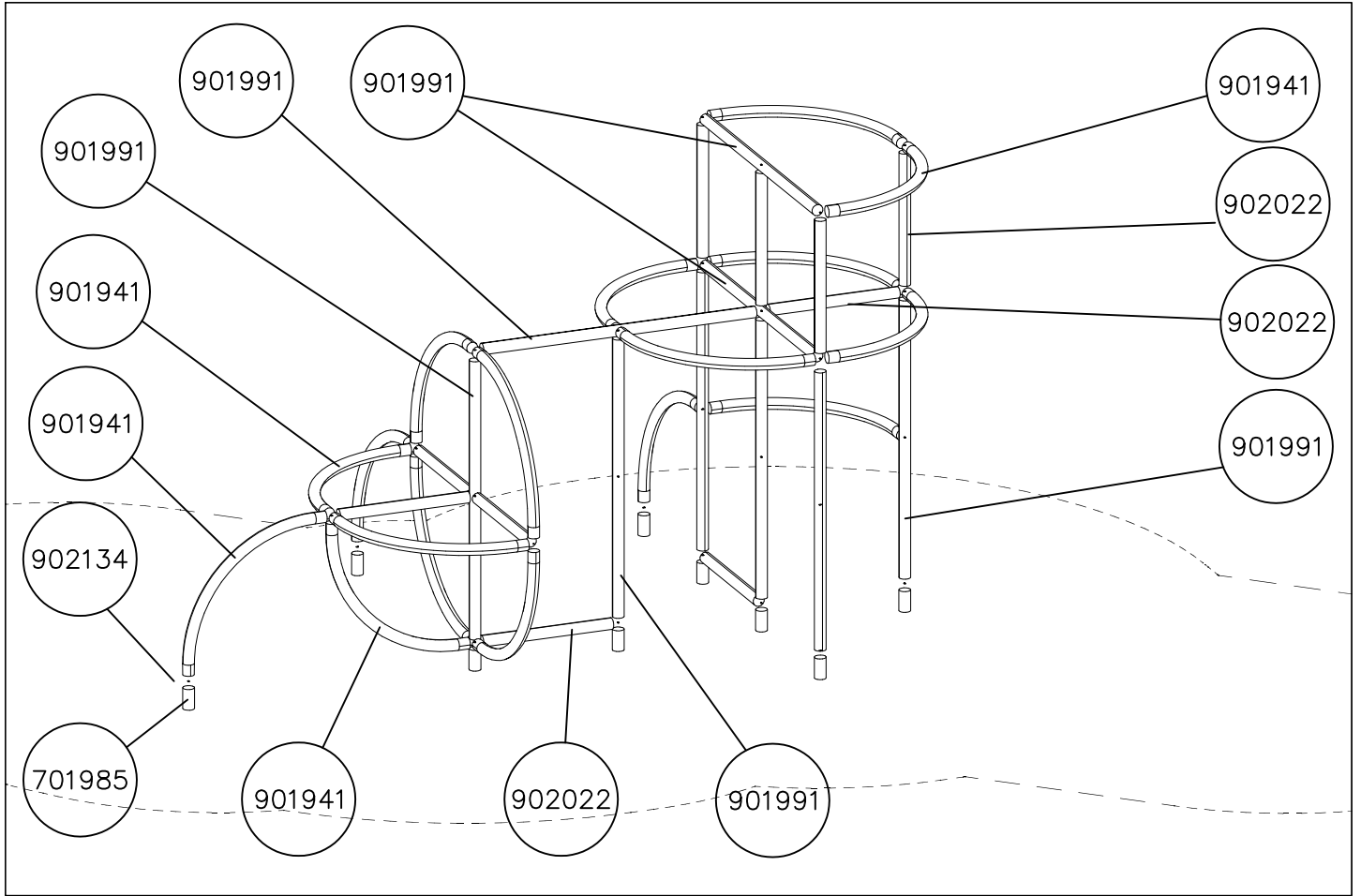


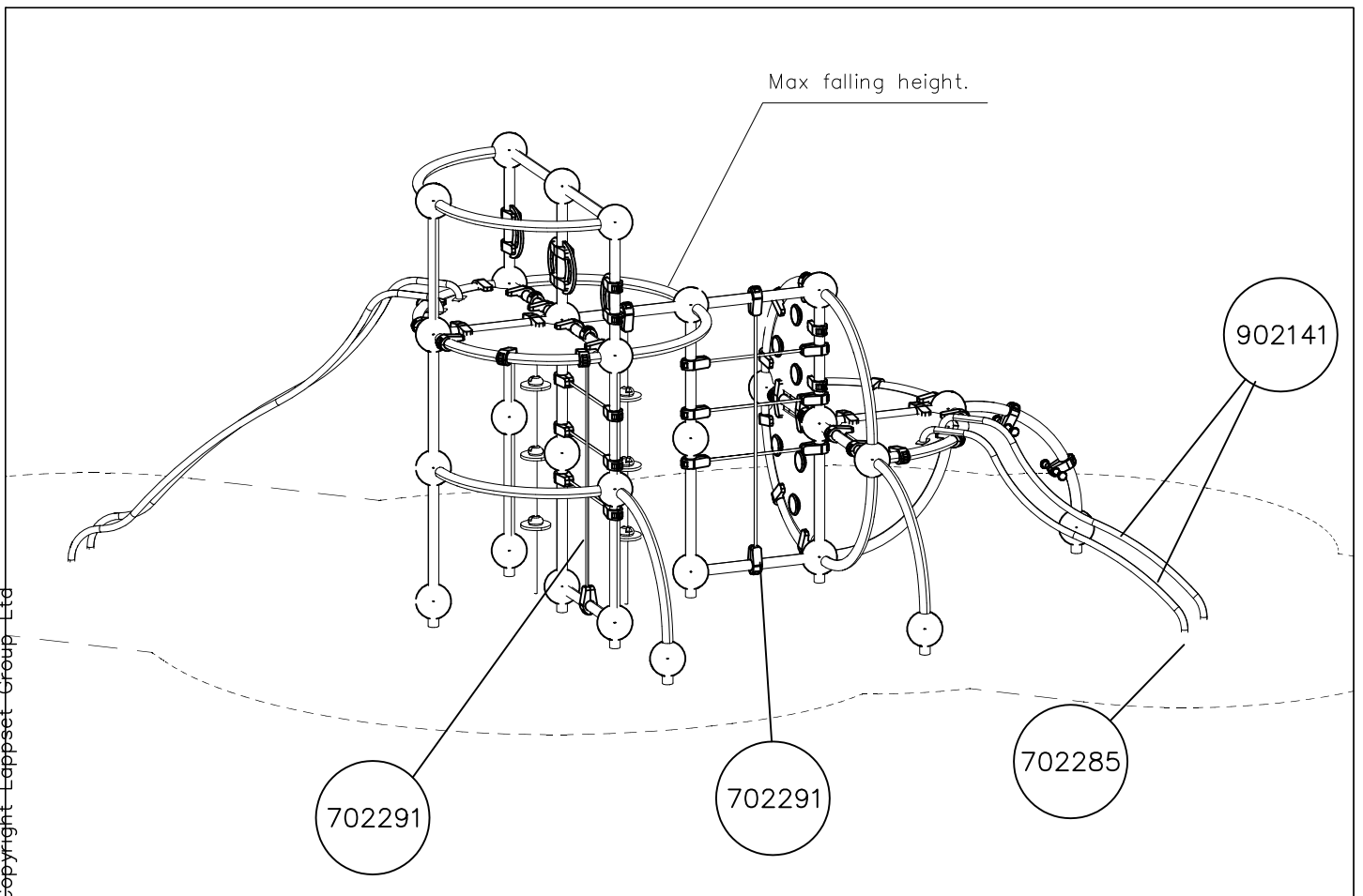
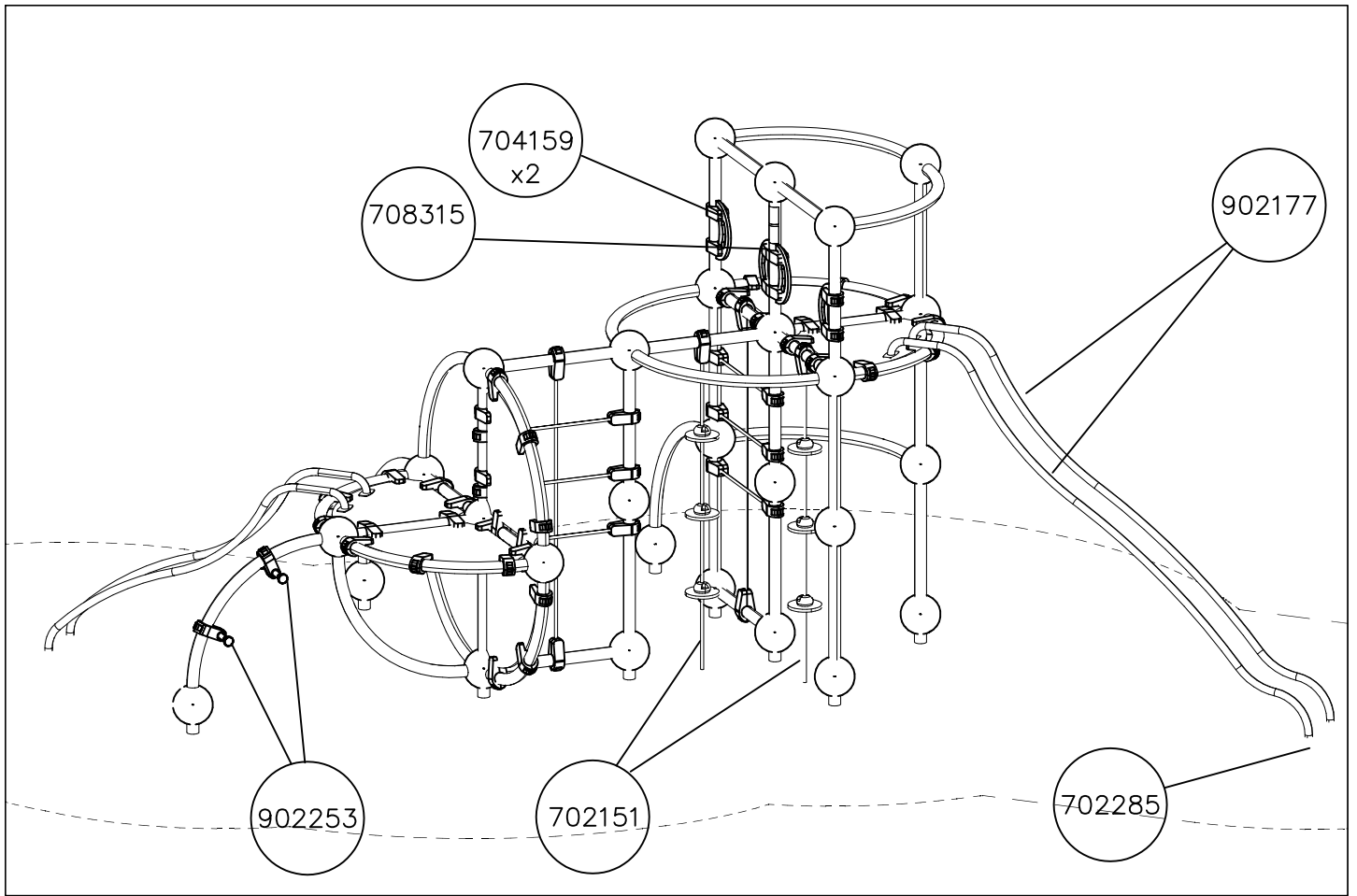
EN/AS Impact Area 37.8 m<sup>2</sup>  
Grid size = 500 mm.

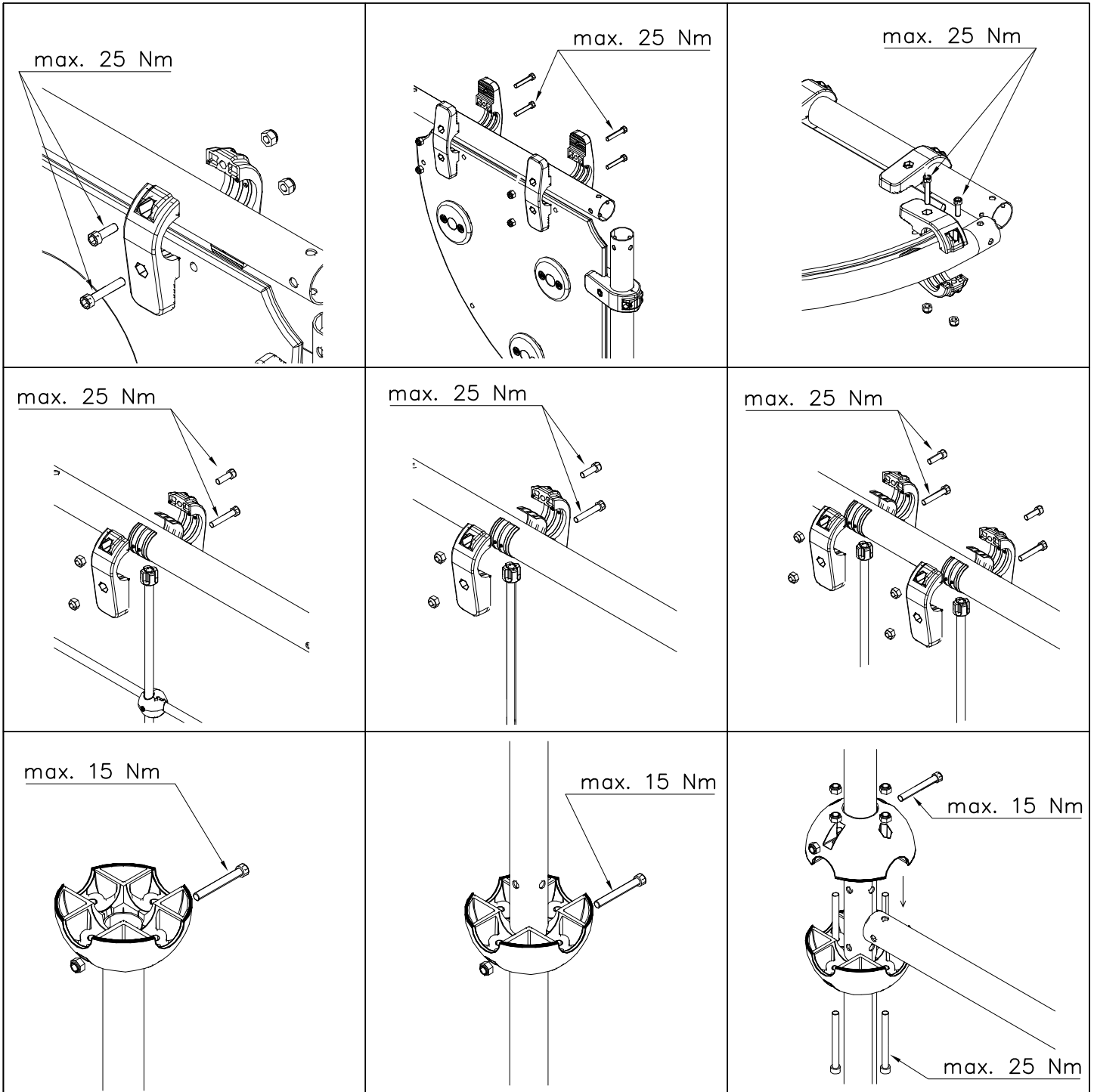


EN/AS Impact Area 37.8 m<sup>2</sup>  
 Max falling height 1740 mm.  
 Falling Space Area 37.8 m<sup>2</sup>





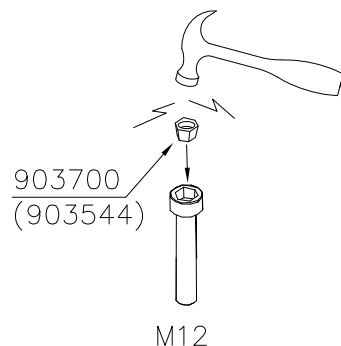
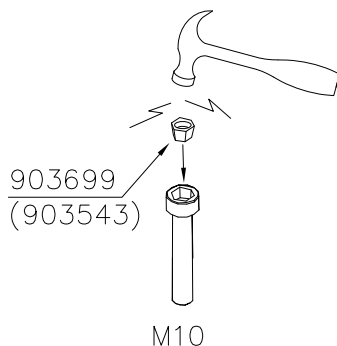


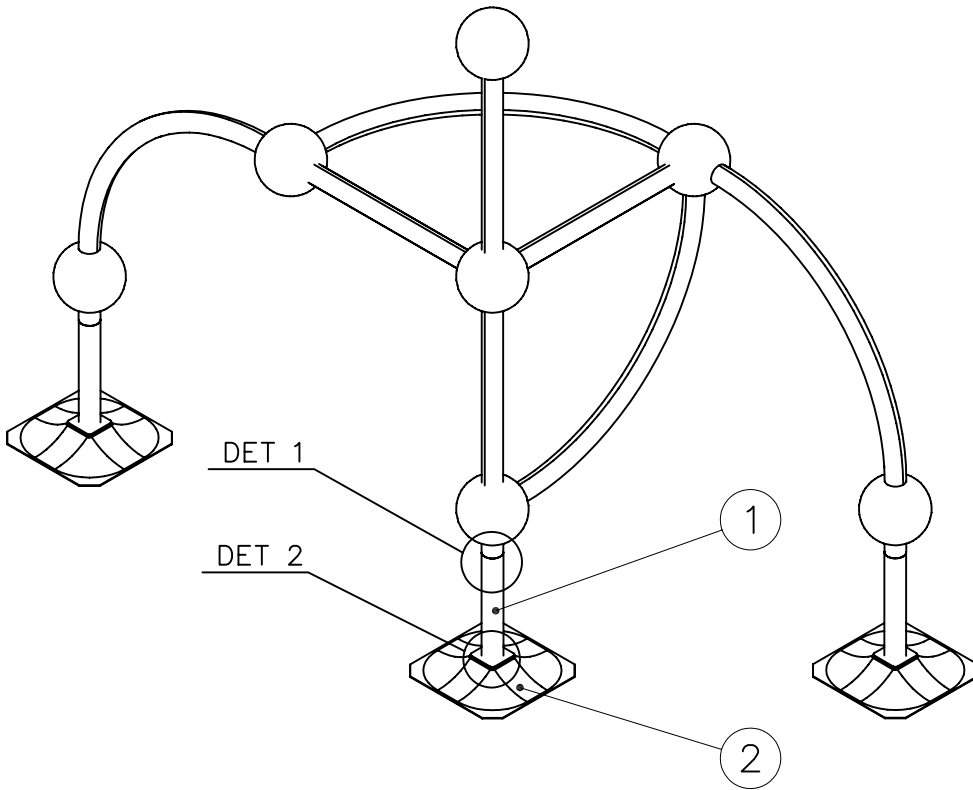



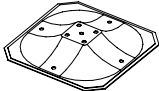
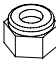

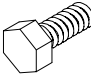
Security plugs are included only for selected products.

Hox!  
Pultit on kiristettävä lopulliseen kireyteen, ennen turvapinnien asennusta.

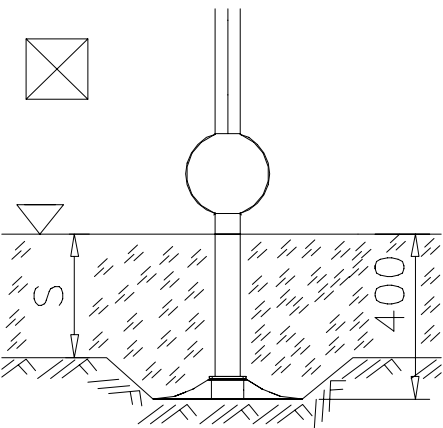
Note!  
Tighten bolts properly, before installing security plugs.



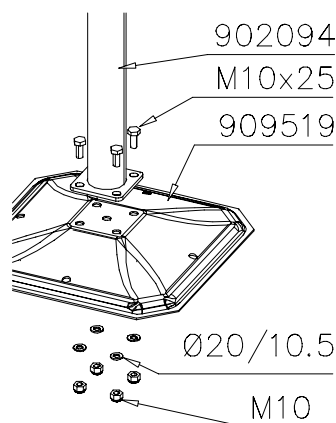


|   |     |   |     |
|---|-----|---|-----|
| ① 902094  | PCS | ② 909519  | PCS |
|  | 1   |  | 1   |
| Ø60x450   |     | 50x380x380  |     |
| ③ 909637  | PCS | ④ 909638  | PCS |
|  | 4   |  | 4   |
| M10   |     | Ø20/10,5  |     |
| ⑤ 909639  | PCS |   | PCS |
|  | 4   |   |     |
| M10x25  |     |   |     |
|   | PCS |   | PCS |
|   |     |   |     |
|   | PCS |   | PCS |
|   |     |   |     |
|   | PCS |   | PCS |
|   |     |   |     |

DET 1



DET 2



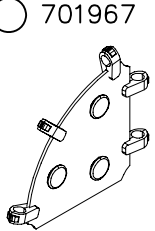
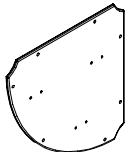
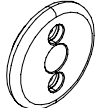
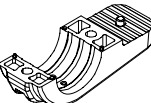
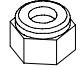
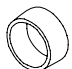
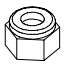

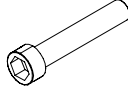
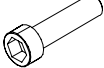
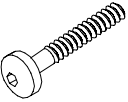
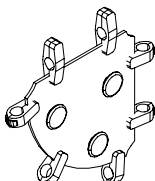
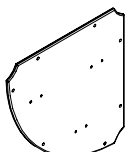

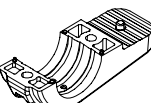
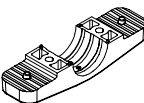




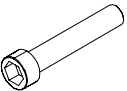
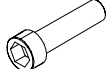
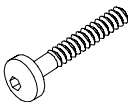
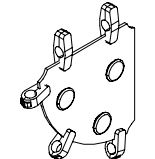
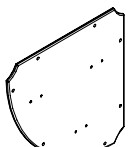

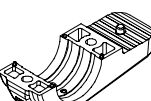
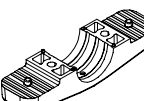
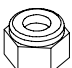

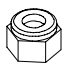

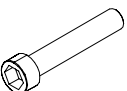
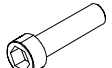
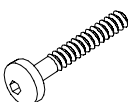


# LAPPSET® WALL AND FLOOR

# CLOXX

DATE: 3.8.2010

1(3)

|  |   |                     |  |                     |  |                      |   |                      |  |                      |  |                     |
|--|---|---------------------|--|---------------------|--|----------------------|---|----------------------|--|----------------------|--|---------------------|
|  <p>701967</p>   |  <p>701936</p> <p>668x668x15</p>   | <p>PCS</p> <p>1</p> |  <p>929322</p> <p>Ø120x30</p>       | <p>PCS</p> <p>3</p> |  <p>902124</p> <p>150x50x50</p>   | <p>PCS</p> <p>10</p> |  <p>980161</p> <p>M10</p>          | <p>PCS</p> <p>10</p> |  <p>905112</p> <p>Ø22</p>     | <p>PCS</p> <p>6</p>  |  <p>980150</p> <p>M8</p>    | <p>PCS</p> <p>6</p> |
|  |  <p>909256</p> <p>Ø16/8.4x1.6</p>  | <p>PCS</p> <p>6</p> |  <p>902232</p> <p>M10x55</p>        | <p>PCS</p> <p>5</p> |  <p>902233</p> <p>M10x30</p>      | <p>PCS</p> <p>5</p>  |  <p>901899</p> <p>M8x45</p>       | <p>PCS</p> <p>6</p>  |  | <p>PCS</p>           |  | <p>PCS</p>          |
|  |   | <p>PCS</p>          |  | <p>PCS</p>          |  | <p>PCS</p>           |   | <p>PCS</p>           |  | <p>PCS</p>           |  | <p>PCS</p>          |
|  <p>701987</p> |  <p>701936</p> <p>668x668x15</p> | <p>PCS</p> <p>1</p> |  <p>929322</p> <p>Ø120x30</p>     | <p>PCS</p> <p>3</p> |  <p>902124</p> <p>150x50x50</p> | <p>PCS</p> <p>10</p> |  <p>902197</p> <p>200x50x50</p> | <p>PCS</p> <p>4</p>  |  <p>980161</p> <p>M10</p>   | <p>PCS</p> <p>14</p> |  <p>905112</p> <p>Ø22</p> | <p>PCS</p> <p>6</p> |
|  |  <p>980160</p> <p>M8</p>         | <p>PCS</p> <p>6</p> |  <p>909256</p> <p>Ø16/8.4x1.6</p> | <p>PCS</p> <p>6</p> |  <p>902232</p> <p>M10x55</p>    | <p>PCS</p> <p>9</p>  |  <p>902233</p> <p>M10x30</p>    | <p>PCS</p> <p>5</p>  |  <p>901899</p> <p>M8x45</p> | <p>PCS</p> <p>6</p>  |  | <p>PCS</p>          |
|  |   | <p>PCS</p>          |  | <p>PCS</p>          |  | <p>PCS</p>           |   | <p>PCS</p>           |  | <p>PCS</p>           |  | <p>PCS</p>          |
|  <p>702046</p> |  <p>701936</p> <p>668x668x15</p> | <p>PCS</p> <p>1</p> |  <p>929322</p> <p>Ø120x30</p>     | <p>PCS</p> <p>3</p> |  <p>902124</p> <p>150x50x50</p> | <p>PCS</p> <p>10</p> |  <p>902197</p> <p>200x50x50</p> | <p>PCS</p> <p>4</p>  |  <p>980161</p> <p>M10</p>   | <p>PCS</p> <p>10</p> |  <p>905112</p> <p>Ø22</p> | <p>PCS</p> <p>6</p> |
|  |  <p>980150</p> <p>M8</p>         | <p>PCS</p> <p>6</p> |  <p>909256</p> <p>Ø16/8.4x1.6</p> | <p>PCS</p> <p>6</p> |  <p>902232</p> <p>M10x55</p>    | <p>PCS</p> <p>7</p>  |  <p>902233</p> <p>M10x30</p>    | <p>PCS</p> <p>3</p>  |  <p>901899</p> <p>M8x45</p> | <p>PCS</p> <p>6</p>  |  | <p>PCS</p>          |
|  |   | <p>PCS</p>          |  | <p>PCS</p>          |  | <p>PCS</p>           |   | <p>PCS</p>           |  | <p>PCS</p>           |  | <p>PCS</p>          |

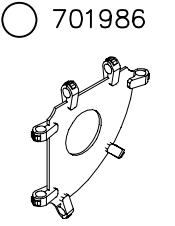
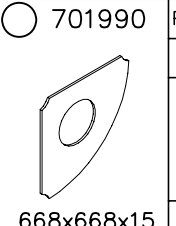
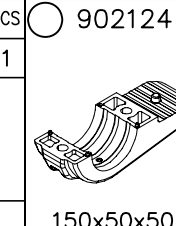
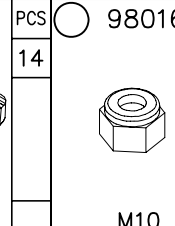
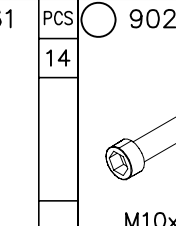
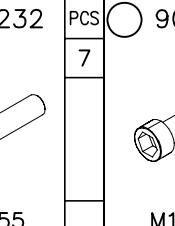
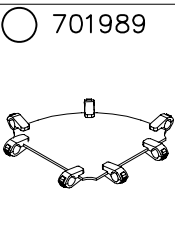
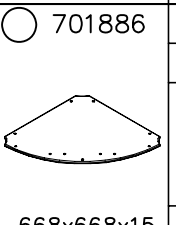
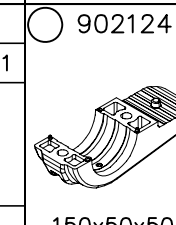
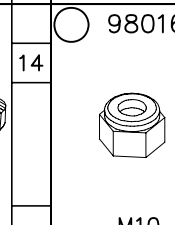
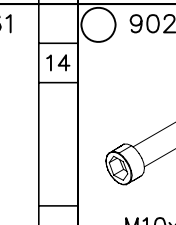
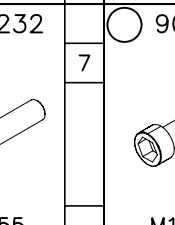
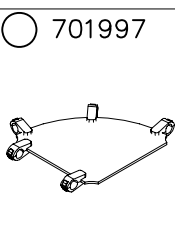
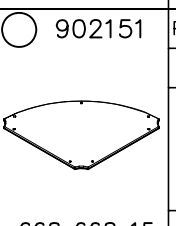
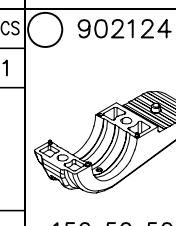
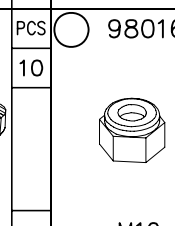
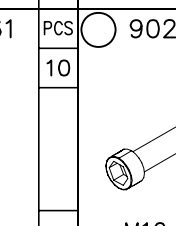
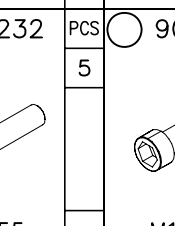
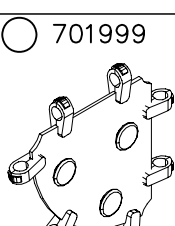
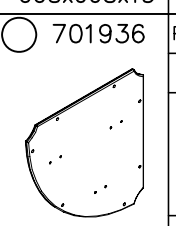
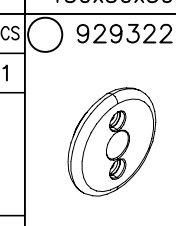
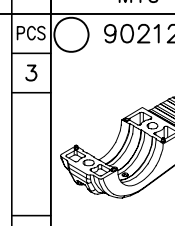
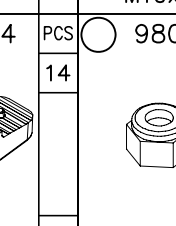
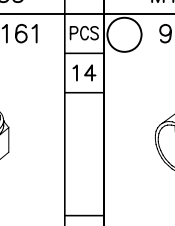
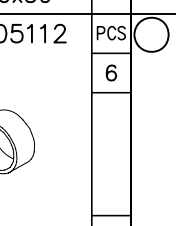
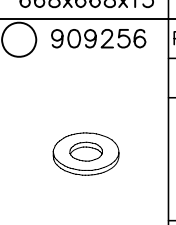
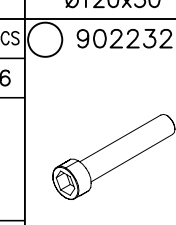
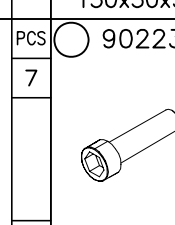
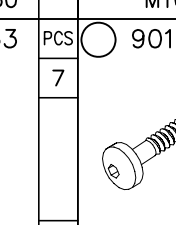
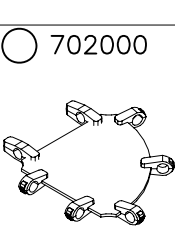
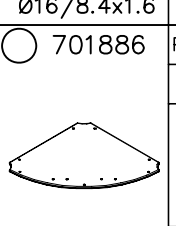
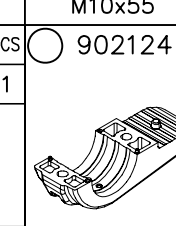
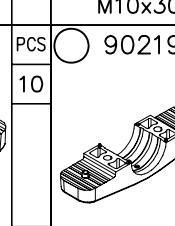
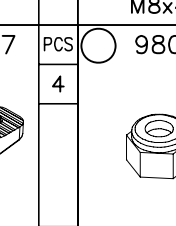
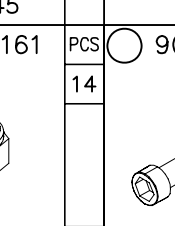
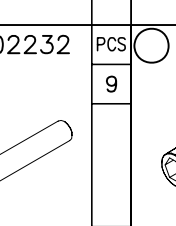
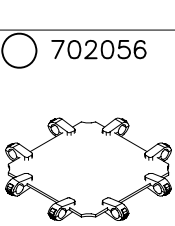
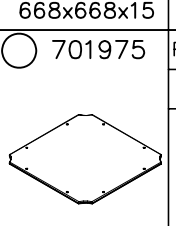
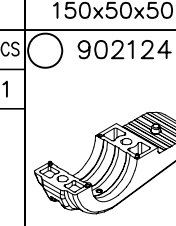
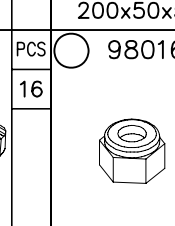
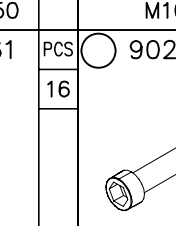
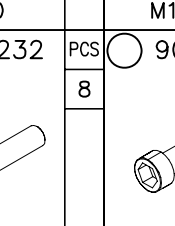
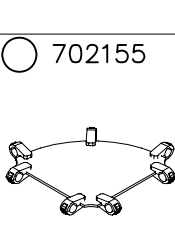
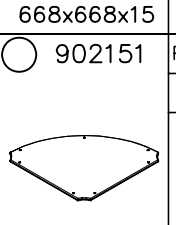
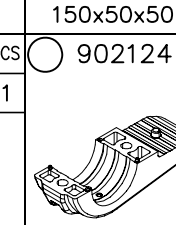
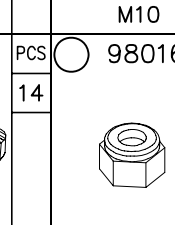
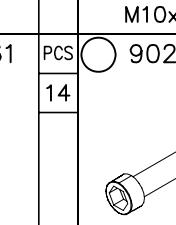
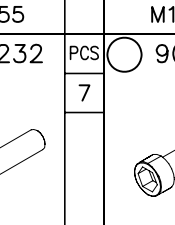
# LAPPSET®

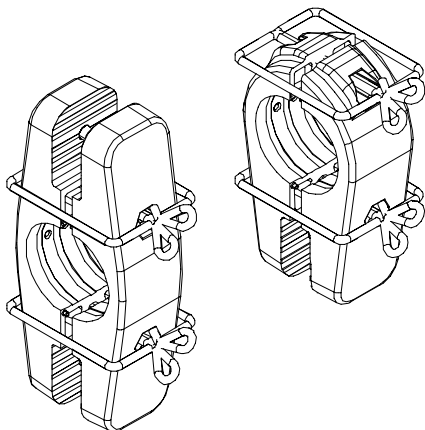
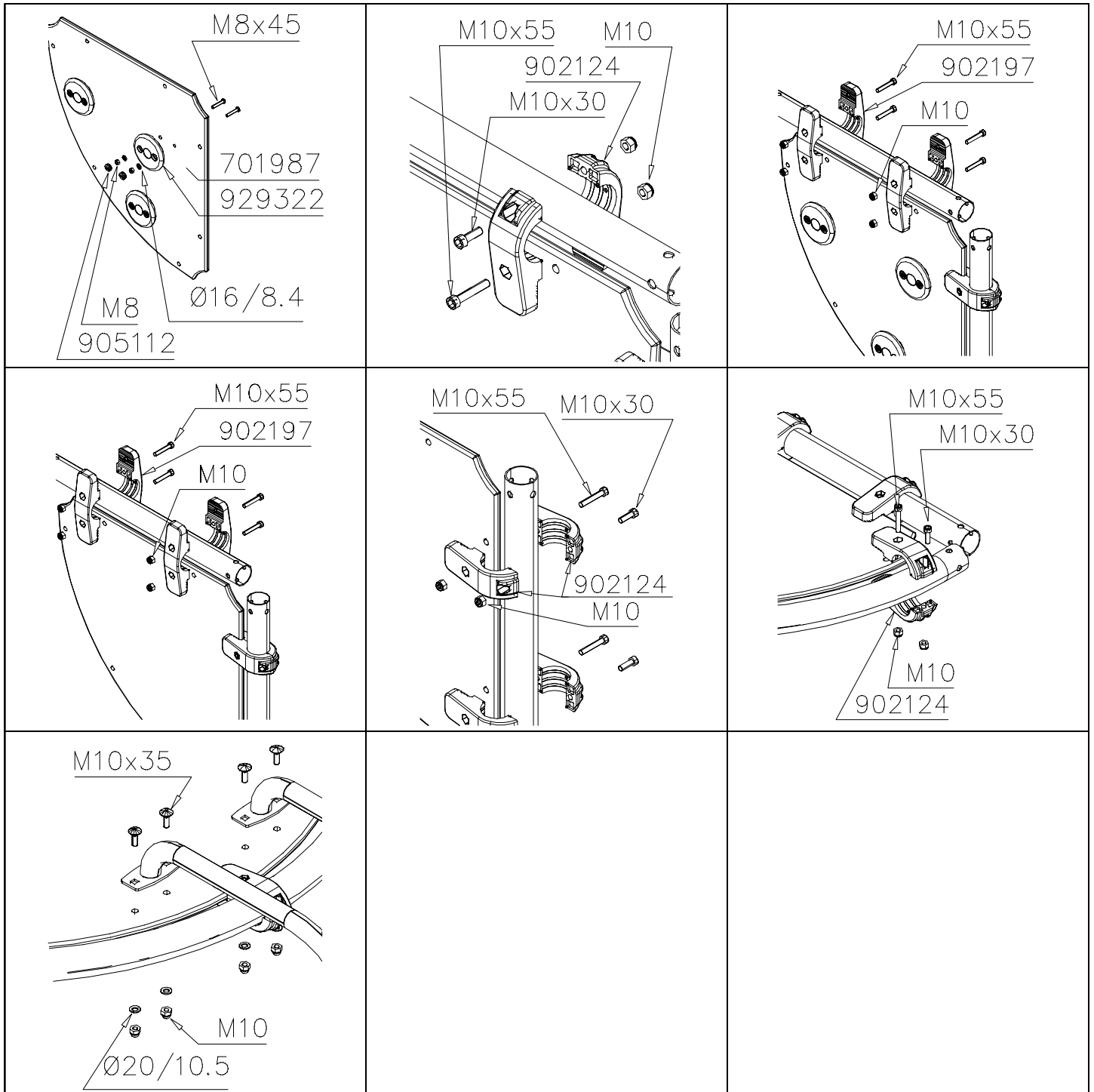
## WALL AND FLOOR

# CLOXX

DATE: 3.8.2010

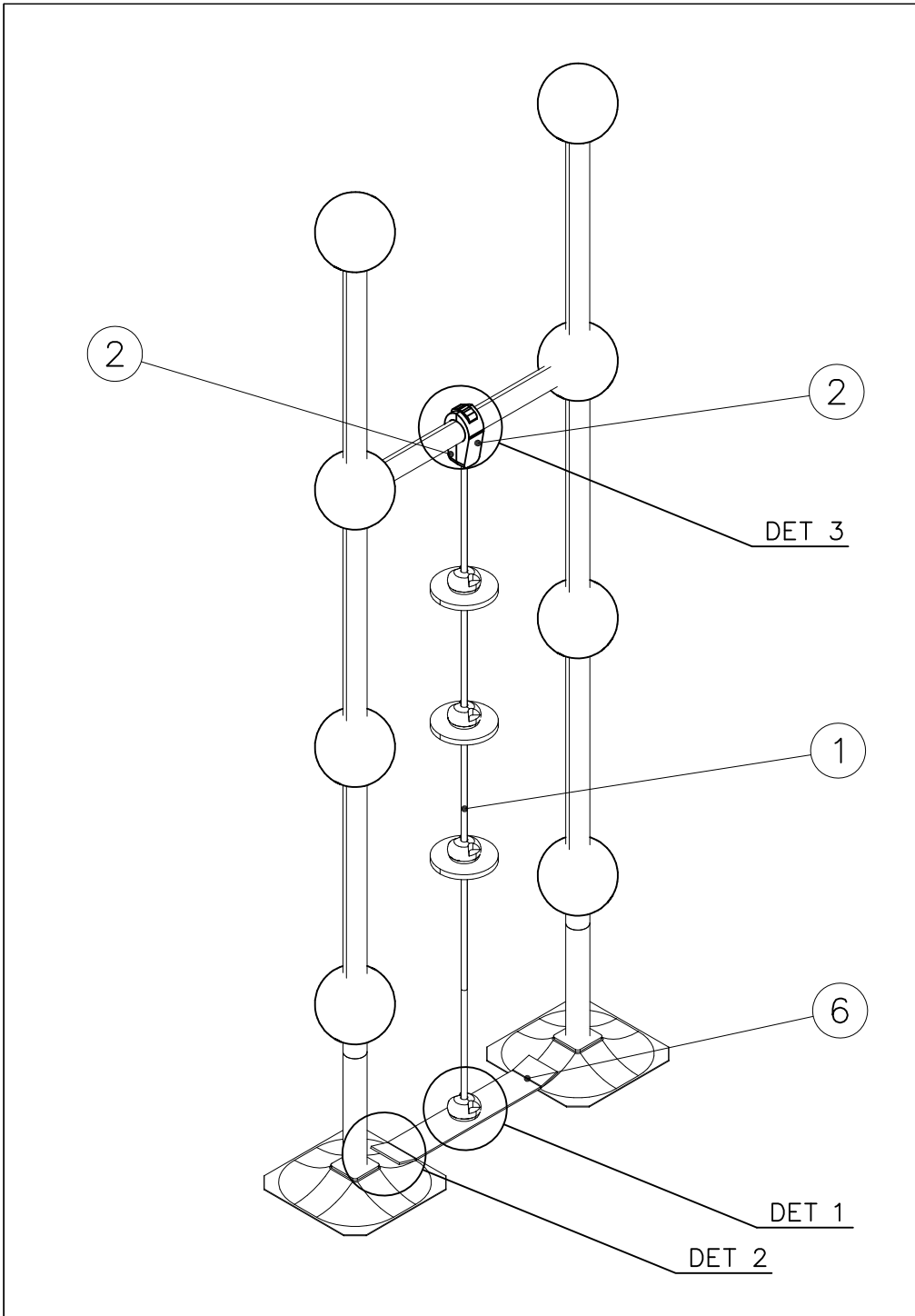
2(3)

|  |  |          |  |           |  |           |   |           |  |          |   |          |
|--|--|----------|--|-----------|--|-----------|---|-----------|--|----------|---|----------|
| <br>701986   | <br>668x668x15    | PCS<br>1 | <br>150x50x50   | PCS<br>14 | <br>M10         | PCS<br>14 | <br>M10x55   | PCS<br>7  | <br>M10x30   | PCS<br>7 |   | PCS      |
| <br>701989   | <br>668x668x15    | PCS<br>1 | <br>150x50x50   | PCS<br>14 | <br>M10         | PCS<br>14 | <br>M10x55   | PCS<br>7  | <br>M10x30   | PCS<br>7 |   | PCS      |
| <br>701997   | <br>668x668x15    | PCS<br>1 | <br>150x50x50   | PCS<br>10 | <br>M10         | PCS<br>10 | <br>M10x55   | PCS<br>5  | <br>M10x30   | PCS<br>5 |   | PCS      |
| <br>701999  | <br>668x668x15   | PCS<br>1 | <br>Ø120x30    | PCS<br>3  | <br>150x50x50  | PCS<br>14 | <br>M10     | PCS<br>14 | <br>Ø22     | PCS<br>6 | <br>M8      | PCS<br>6 |
|  | <br>Ø16/8.4x1.6 | PCS<br>6 | <br>M10x55    | PCS<br>7  | <br>M10x30    | PCS<br>7  | <br>M8x45  | PCS<br>6  |  | PCS      |   | PCS      |
| <br>702000 | <br>668x668x15  | PCS<br>1 | <br>150x50x50 | PCS<br>10 | <br>200x50x50 | PCS<br>4  | <br>M10    | PCS<br>14 | <br>M10x55 | PCS<br>9 | <br>M10x30 | PCS<br>5 |
| <br>702056 | <br>668x668x15  | PCS<br>1 | <br>150x50x50 | PCS<br>16 | <br>M10       | PCS<br>16 | <br>M10x55 | PCS<br>8  | <br>M10x30 | PCS<br>8 |   | PCS      |
| <br>702155 | <br>668x668x15  | PCS<br>1 | <br>150x50x50 | PCS<br>14 | <br>M10       | PCS<br>14 | <br>M10x55 | PCS<br>7  | <br>M10x30 | PCS<br>7 |   | PCS      |

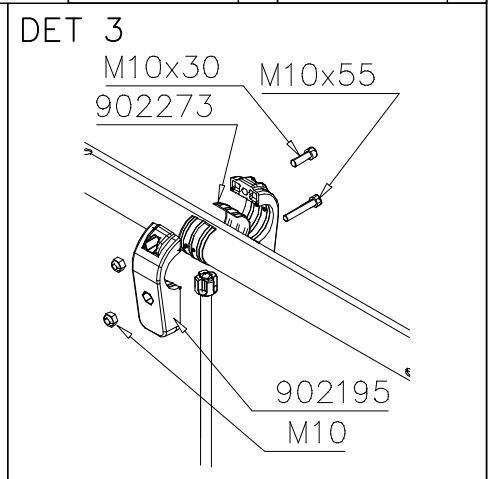
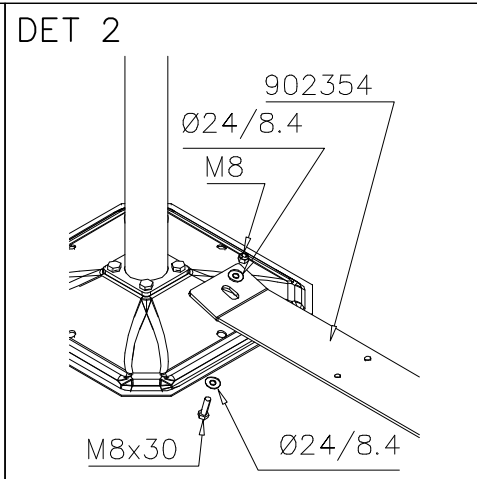
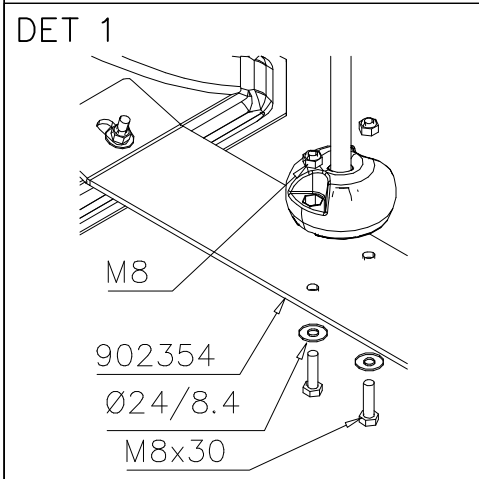


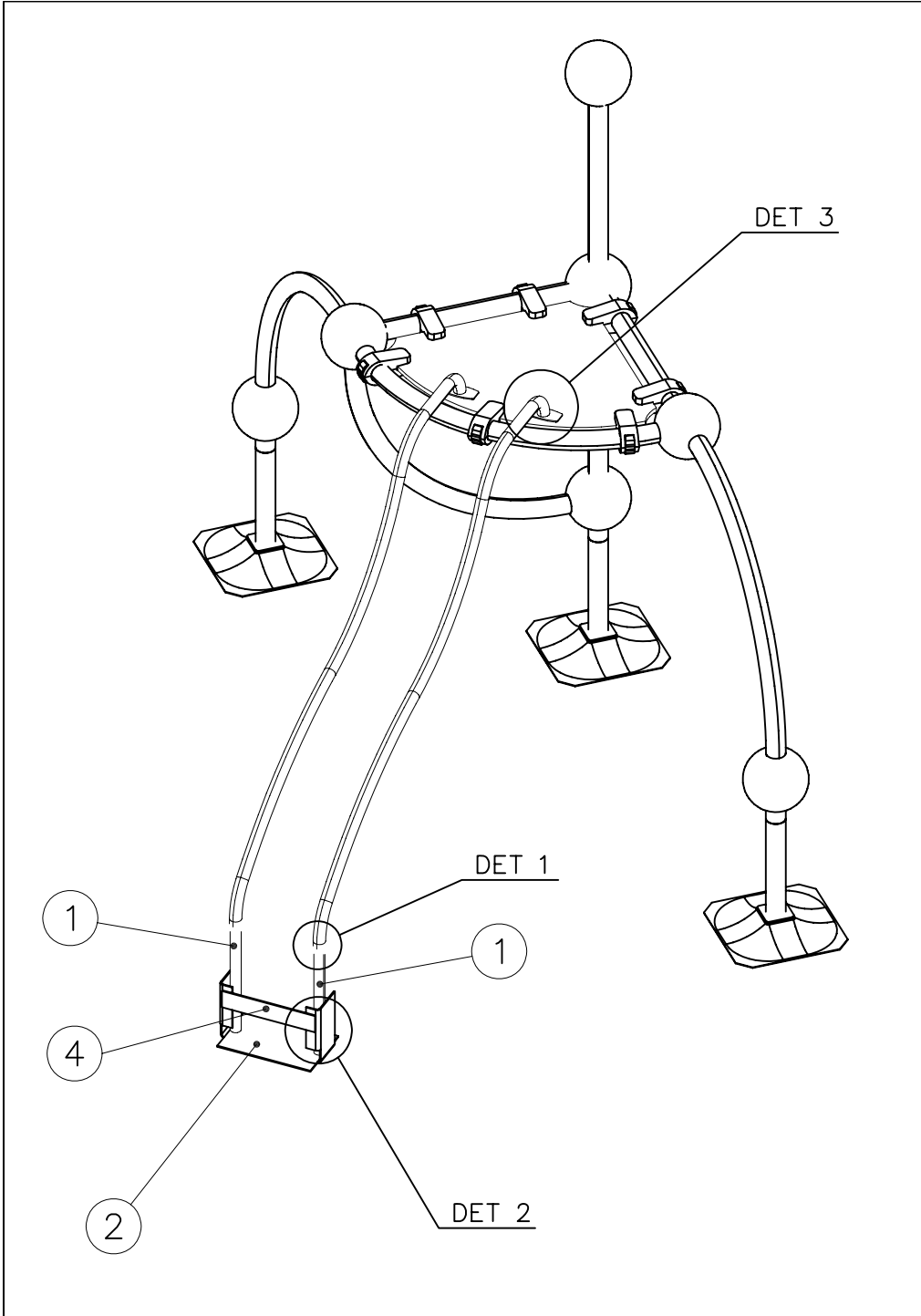
NOTE:  
 Use a wire marked pairs  
 of the same junction.

Huom!  
 Käytä langalla merkittyä  
 paria samassa liitoksessa.

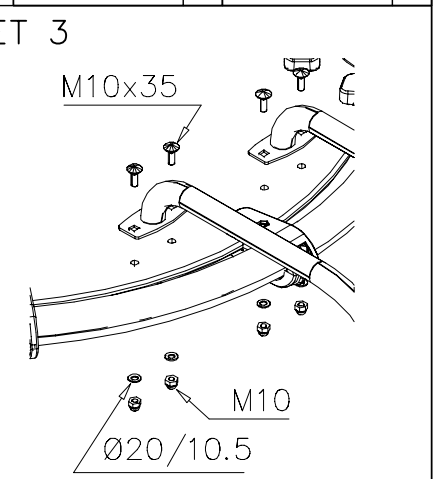
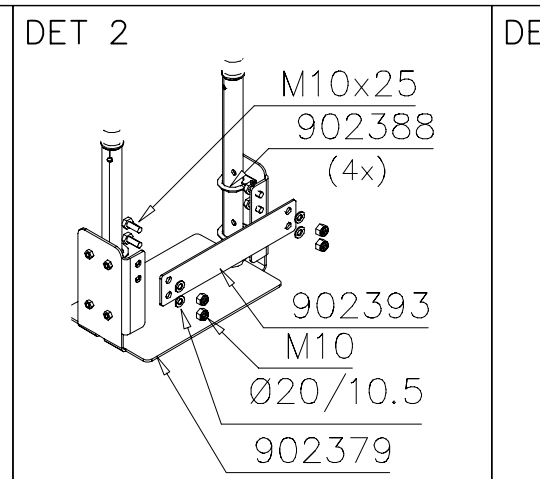
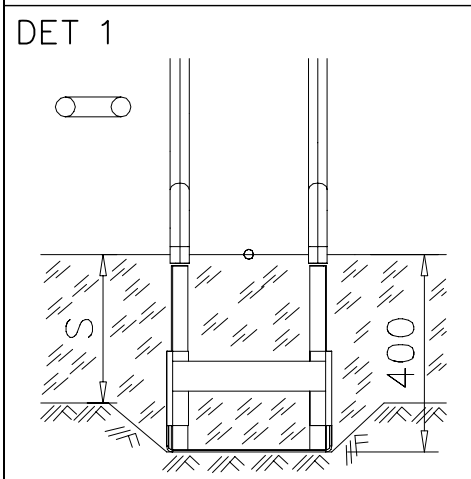


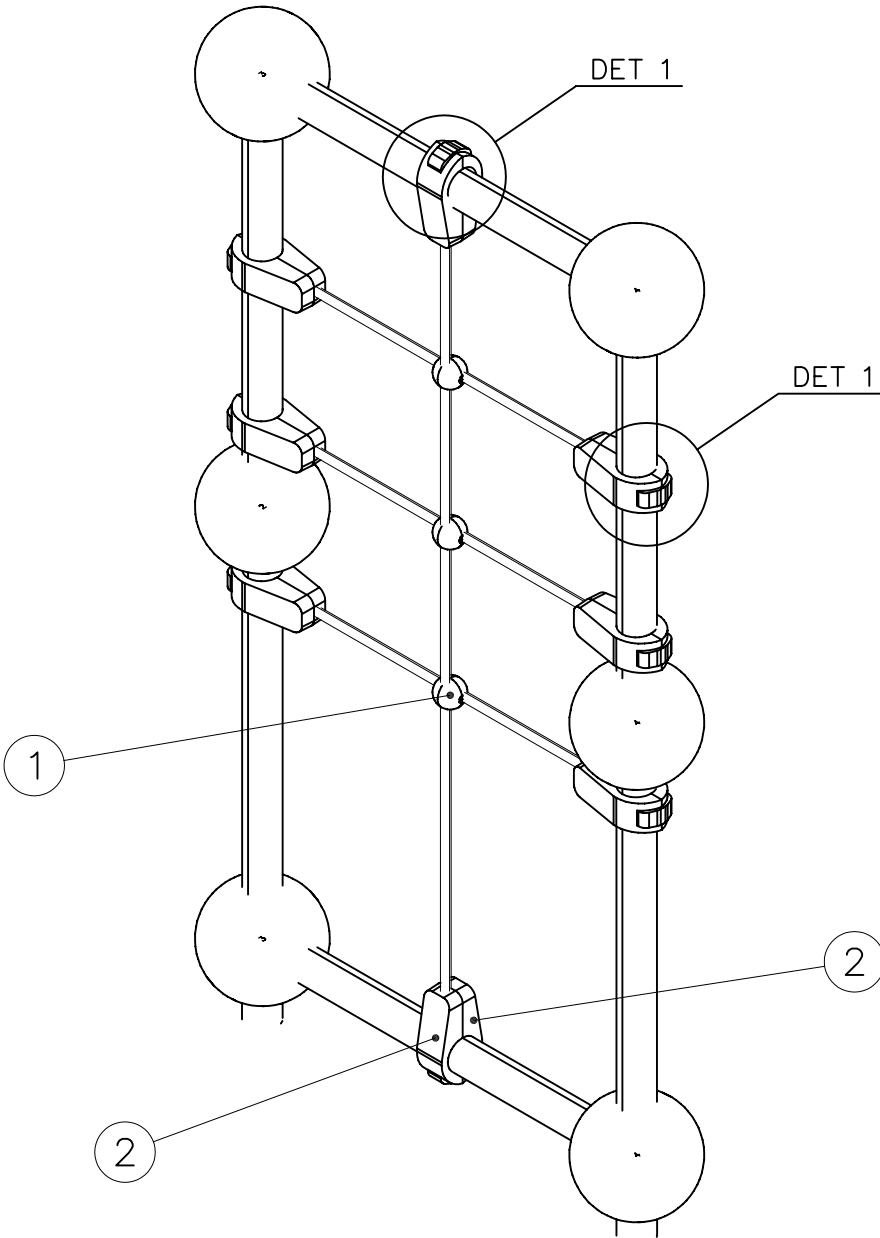
|          |     |           |     |
|----------|-----|-----------|-----|
| ① 702061 | PCS | ② 902195  | PCS |
|          | 1   |           | 2   |
| 2028     |     | 150*50*50 |     |
| ③ 902232 | PCS | ④ 902233  | PCS |
|          | 1   |           | 1   |
| M10x55   |     | M10x30    |     |
| ⑤ 902273 | PCS | ⑥ 902354  | PCS |
|          | 2   |           | 1   |
|          |     |           |     |
| ⑦ 909274 | PCS | ⑧ 980152  | PCS |
|          | 4   |           | 6   |
| M8x30    |     | Ø24/8.4x2 |     |
| ⑨ 980150 | PCS | ⑩ 980161  | PCS |
|          | 4   |           | 2   |
| M8       |     | M10       |     |
|          | PCS |           | PCS |





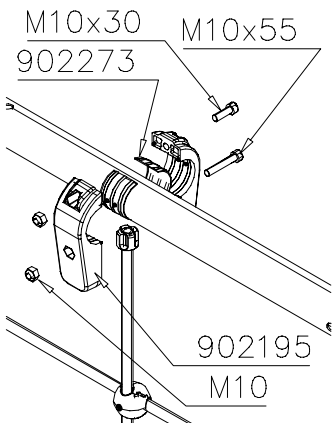
|              |     |              |     |
|--------------|-----|--------------|-----|
| ① 902377     | PCS | ② 902379     | PCS |
|              | 2   |              | 1   |
| ③ 902388     | PCS | ④ 902393     | PCS |
| <br>Ø35xM8   | 4   |              | 1   |
| ⑤ 909637     | PCS | ⑥ 909638     | PCS |
| <br>M10      | 4   | <br>Ø20/10,5 | 8   |
| ⑦ 909639     | PCS | ⑧ 900965     | PCS |
| <br>M10x25   | 4   | <br>M10      | 4   |
| ⑨ 909628     | PCS | ⑩ 902252     | PCS |
| <br>Ø20/10.5 | 4   | <br>M10x35   | 4   |
|              | PCS |              | PCS |

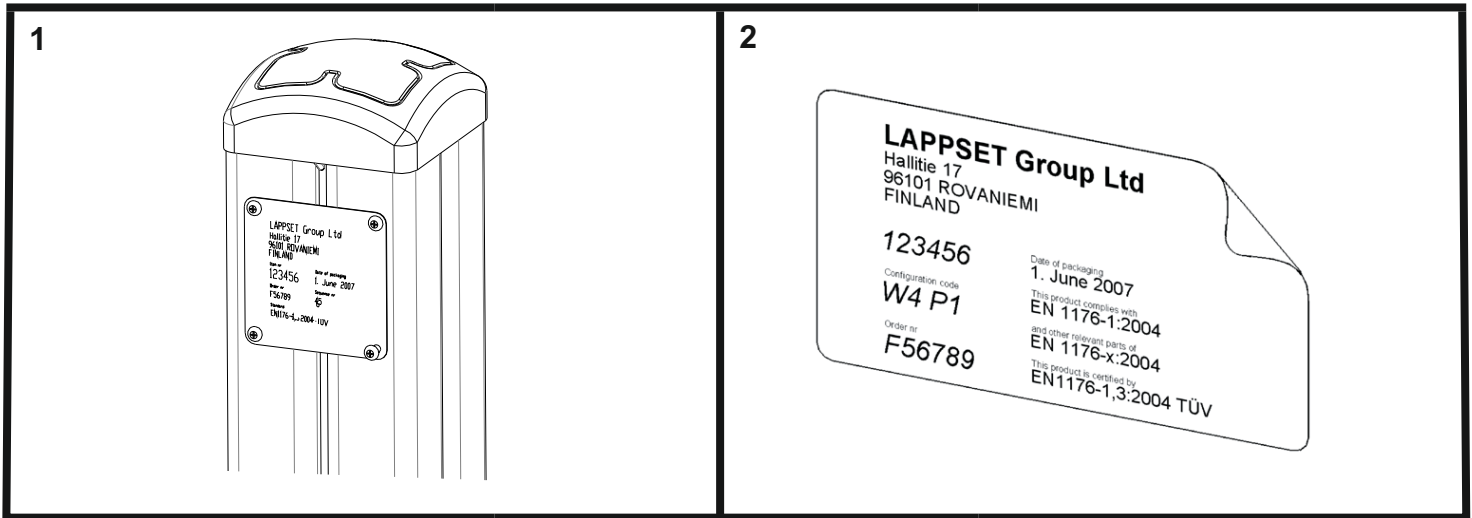




|          |     |           |     |
|----------|-----|-----------|-----|
| ① 702290 | PCS | ② 902195  | PCS |
|          | 1   |           | 16  |
|          |     | 150*50*50 |     |
| ③ 902232 | PCS | ④ 902233  | PCS |
|          | 8   |           | 8   |
| M10x55   |     | M10x30    |     |
| ⑤ 902273 | PCS | ⑥ 980161  | PCS |
|          | 16  |           | 16  |
|          |     | M10       |     |
|          | PCS |           | PCS |
|          |     |           |     |
|          | PCS |           | PCS |
|          |     |           |     |
|          | PCS |           | PCS |
|          |     |           |     |

DET 1





**Tuotekyltti tulee tuotteen mukana yhdellä seuraavista tavoista:**

**1) Metallinen tuotekyltti ja kiinnitysruuvit**

- Kiinnitä tuotekyltti ruuveilla tolppaan noin 2 metrin korkeuteen kuvan 2 mukaisesti.

**2) Tuotekylttitarra**

- Puhdista maalattu metalli- tai vaneripinta pölystä ja kosteudesta. Liimaa tarra kuvan 3 mukaisesti.
- Huom. Älä kiinnitä tarraa karheapintaiseen laminaattiin tai maalattuun puuhun.

**Vår produktmärkning levereras på ett av följande sätt:**

**1) Produktskylt i metall**

- Fäst skylten med de medföljande skruvarna

**2) Självhäftande produktetikett**

- Rengördenpulverlackerademetallytanellerlaminatytansåattdenblirfrifrånsmutsochfukt.Fästetikettenenligtfig.3.
- Obs! Fäst ej etiketten på detaljer med skrovlig yta eller på målat trä.

**Product label is delivered by one of following ways:**

**1) Metal product label and screws**

- Fasten the label with screws.

**2) Label sticker**

- Cleanthepaintedmetalorplywoodsurfacefromdirtandmoisture.Fastenthestickerasshowninthefigure3.
- Note. Do not attach the sticker to rough surfaced laminate or painted wood.

**La plaque d'informations produit est livrée sous l'une de ces 3 formes :**

**1) Plaque métallique et vis**

- Fixez la plaque à l'aide des vis.

**2) Etiquette autocollante**

- Avant de coller l'étiquette, nettoyez le composant métallique peint ou la plaque de contreplaqué, de toute saleté. La surface doit être sèche (voir image 3).
- Attention, ne pas coller l'étiquette sur une surface lamellé-collée irrégulière ou sur du bois peint.

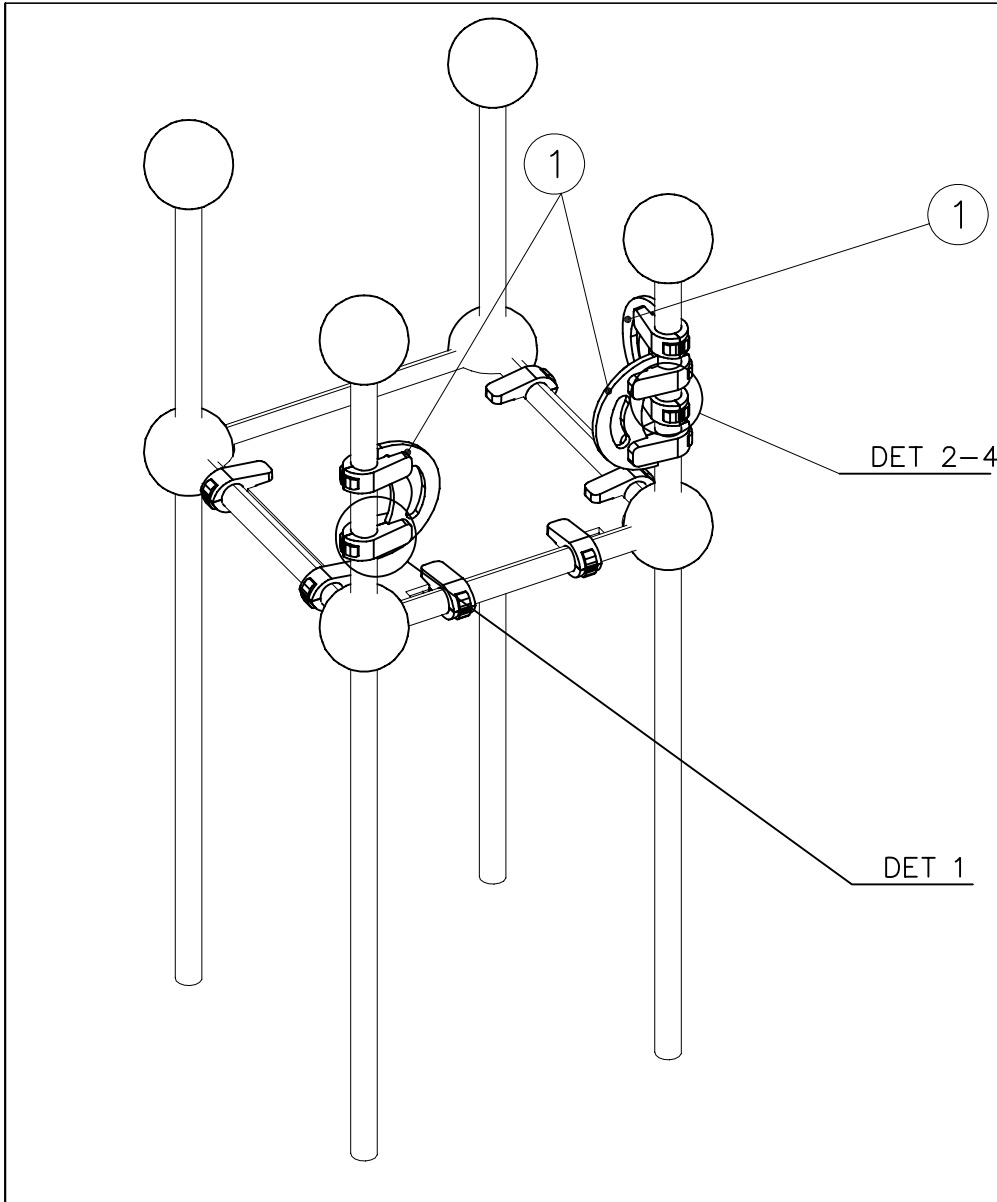
**Die Auslieferung des Produktaufklebers erfolgt auf eine dieser Arten:**

**1) Produkt-Schild aus Metall incl. Schrauben**

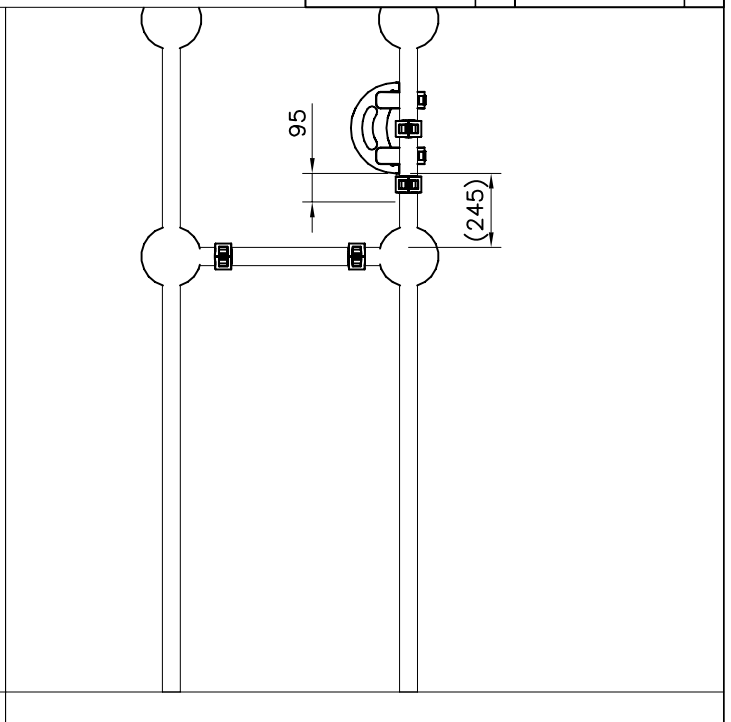
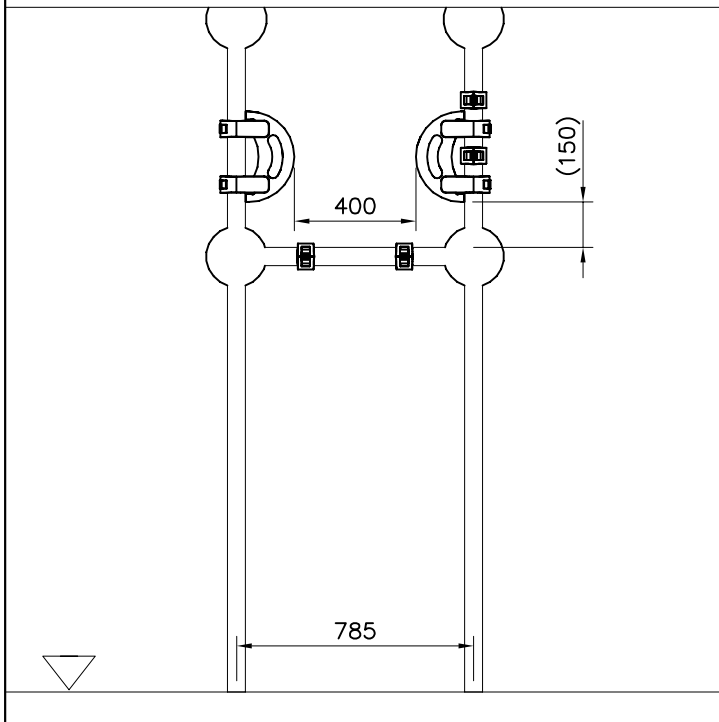
- Die Befestigung des Schildes erfolgt mittels der Schrauben.

**2) Aufkleber**

- EntfernenSiezunächstSchmutzundFeuchtigkeitvomlackiertenMetallbzw.vonderHolzoberflächeundbringenSiedenAufkleber wie im Bild oben rechts beschrieben auf den gesäuberten Untergrund auf.
- Beachten Sie: Bringen Sie den Aufkleber nicht auf raues laminiertes oder lackiertes Holz an.

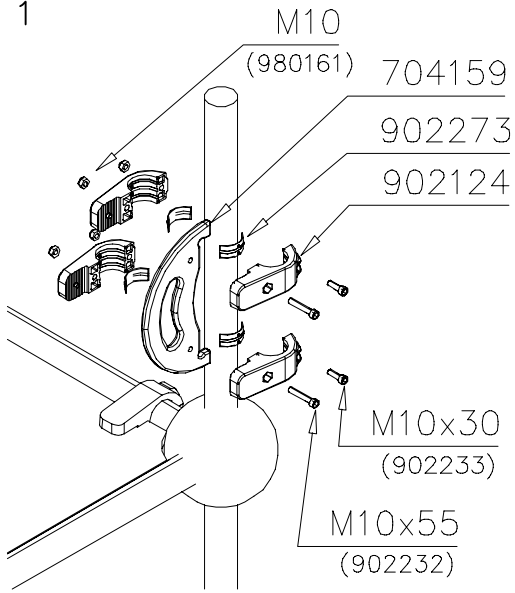


|          |     |           |     |
|----------|-----|-----------|-----|
| ① 704158 | PCS | ② 902124  | PCS |
|          | 1   |           | 4   |
|          |     | 150x50x50 |     |
| ③ 902232 | PCS | ④ 902233  | PCS |
|          | 2   |           | 2   |
| M10x55   |     | M10x30    |     |
| ⑤ 902273 | PCS | ⑥ 980161  | PCS |
|          | 4   |           | 4   |
|          |     | M10       |     |
|          | PCS |           | PCS |
|          |     |           |     |
|          | PCS |           | PCS |
|          |     |           |     |

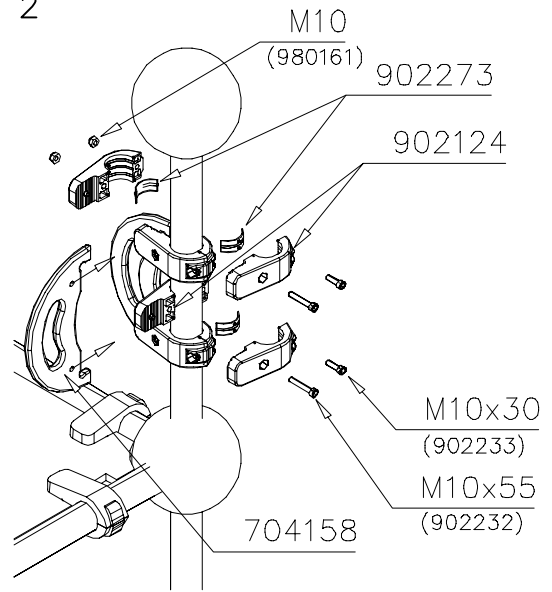




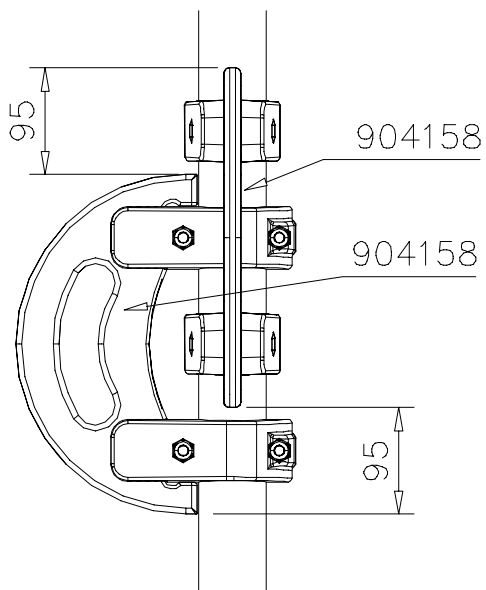
DET 1



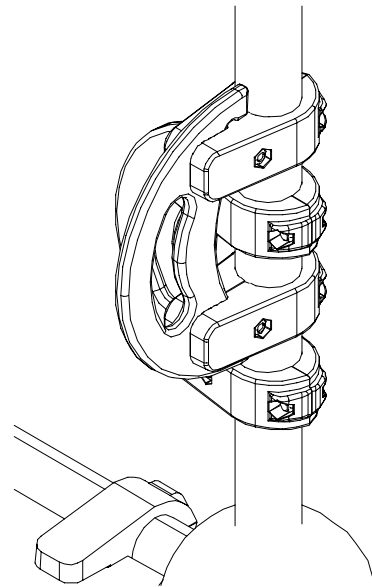
DET 2

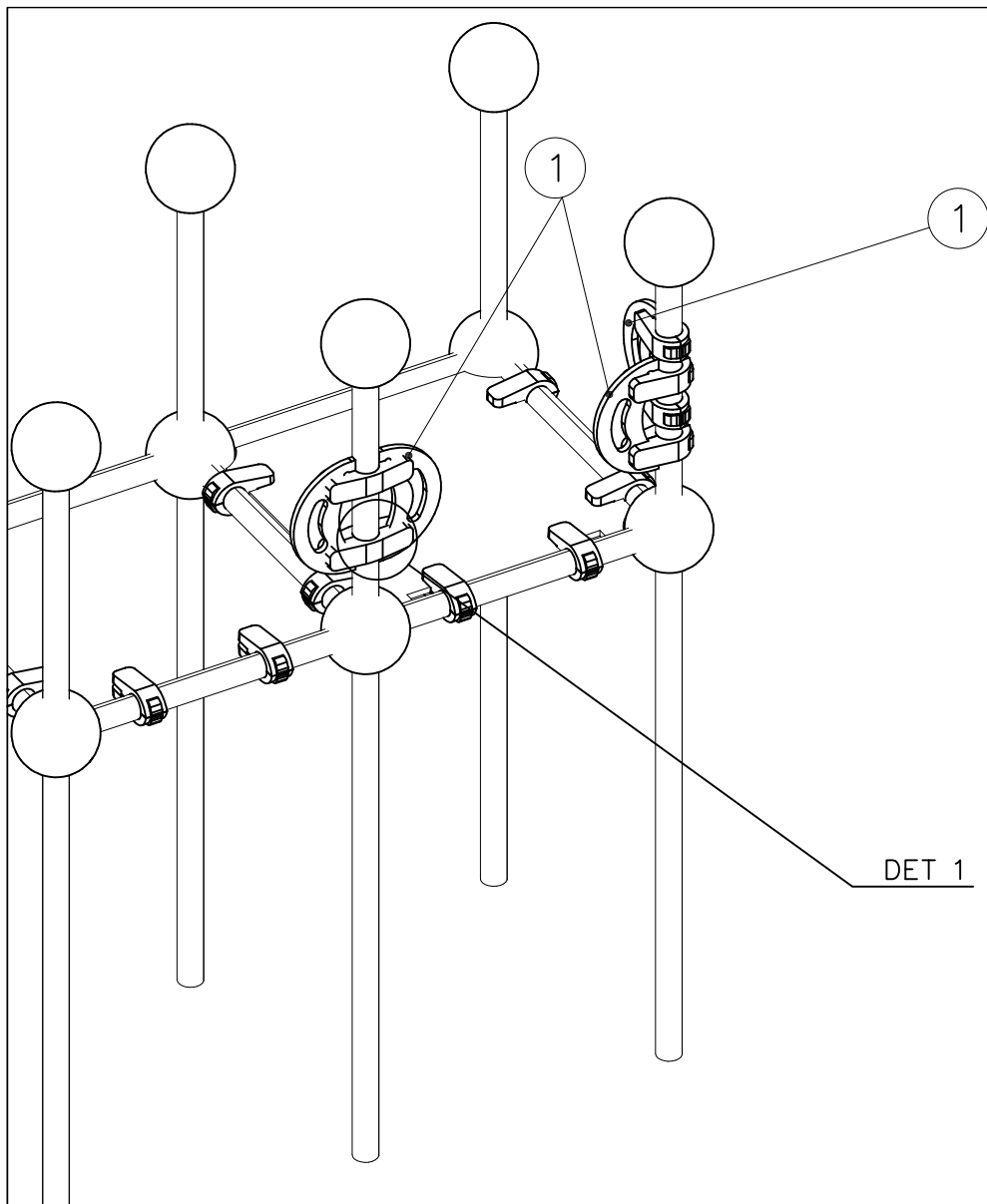


DET 3

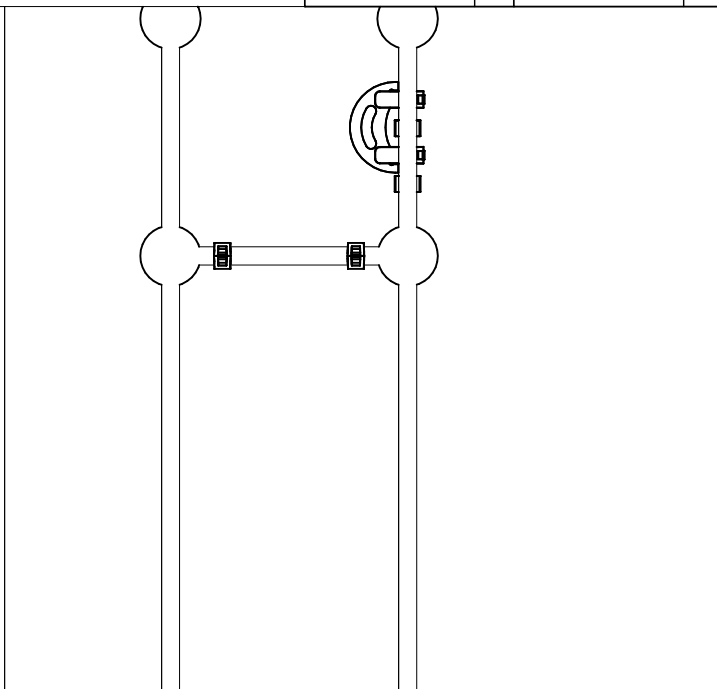
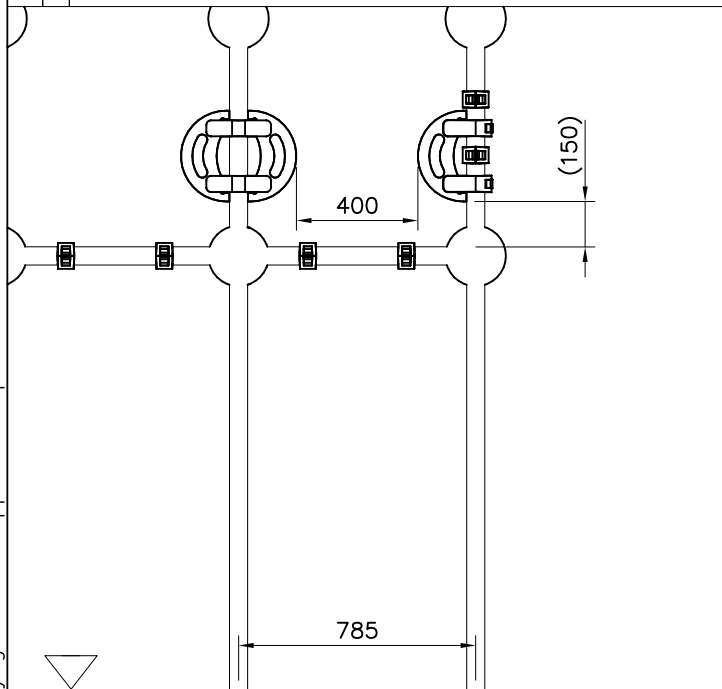


DET 4

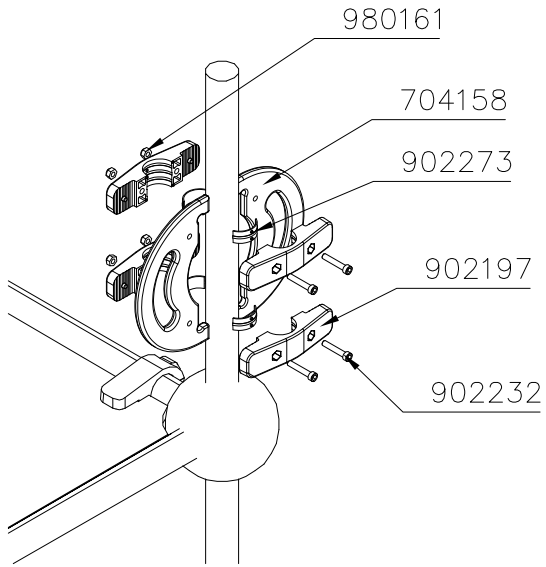


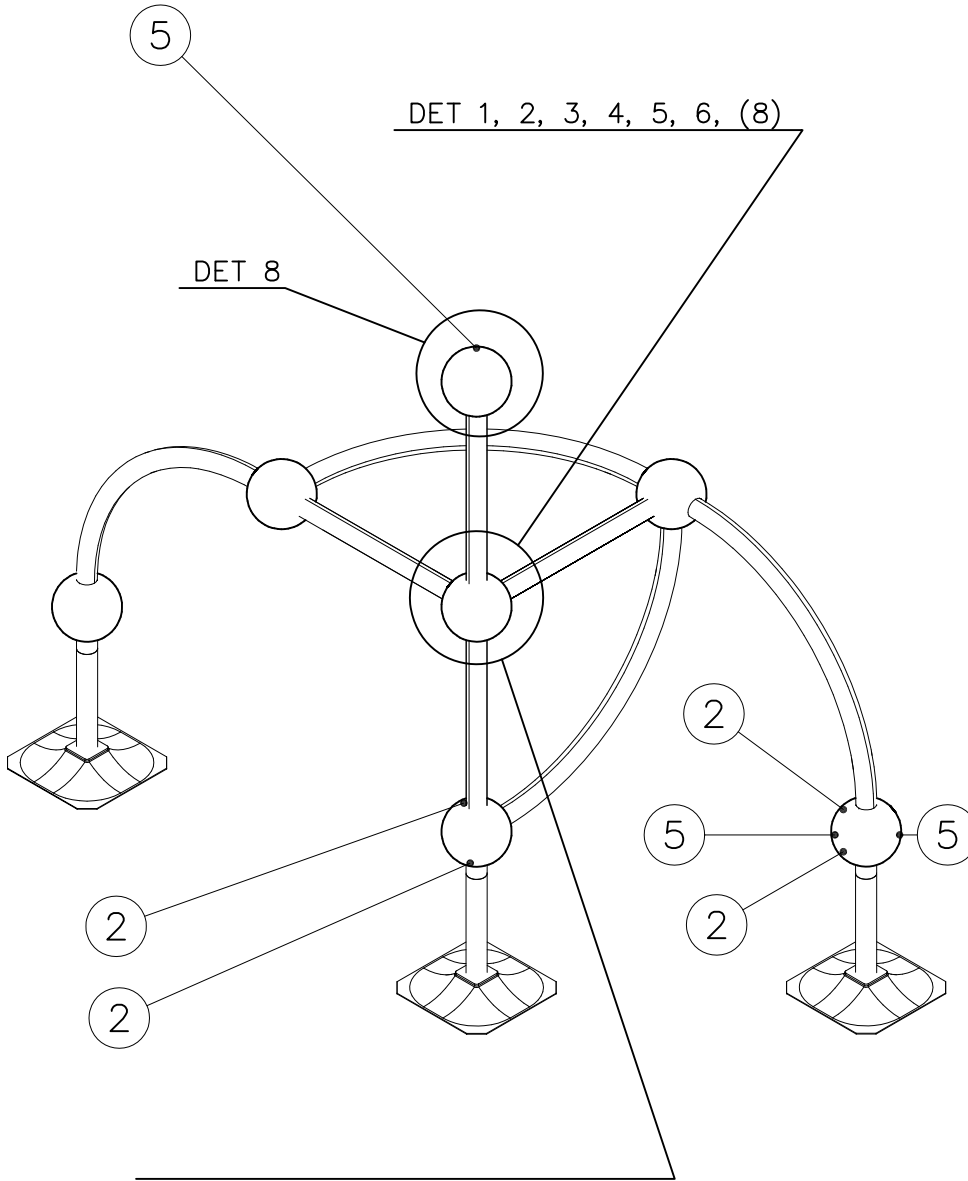


|          |     |          |     |
|----------|-----|----------|-----|
| ① 704158 | PCS | ② 902197 | PCS |
|          | 2   |          | 4   |
| ③ 902232 | PCS | ④ 902273 | PCS |
|          | 4   |          | 4   |
| M10x55   |     |          |     |
| ⑤ 980161 | PCS |          | PCS |
|          | 4   |          |     |
| M10      |     |          |     |
|          | PCS |          | PCS |
|          |     |          |     |
|          | PCS |          | PCS |
|          |     |          |     |

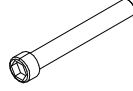

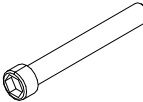



DET 1

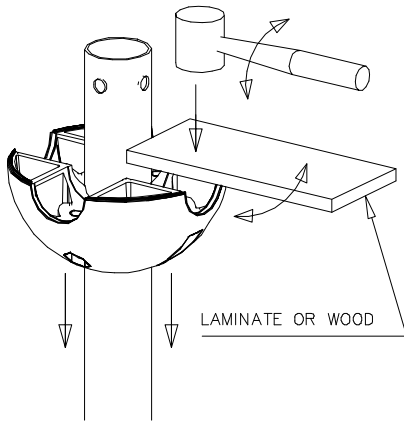




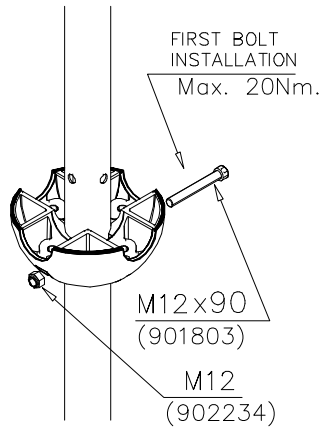
DO NOT TIGHTEN THE JOINTS UNTIL THE STRUCTURE IS COMPLETE.

|   |     |   |     |
|---|-----|---|-----|
| ① 901803  | PCS | ② 901994  | PCS |
|  | 2   |  | 2   |
| M12x90  |     | Ø190  |     |
| ③ 902096  | PCS | ④ 902234  | PCS |
|  | 4   |  | 6   |
| M12x120   |     | M12   |     |
|   | PCS |   | PCS |
|   |     |   |     |
|   | PCS |   | PCS |
|   |     |   |     |
|   | PCS |   | PCS |
|   |     |   |     |
|   | PCS |   | PCS |
|   |     |   |     |
|   | PCS |   | PCS |
|   |     |   |     |
|   | PCS |   | PCS |
|   |     |   |     |

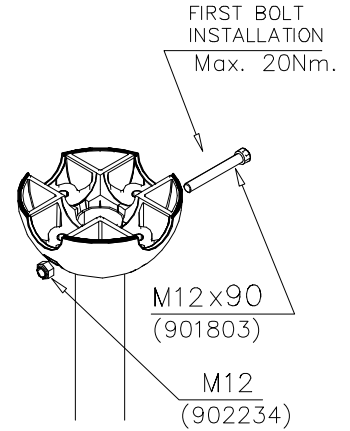
DET 1



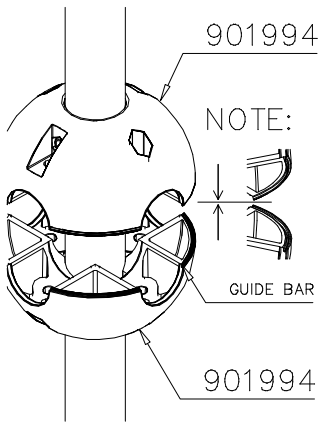
DET 2



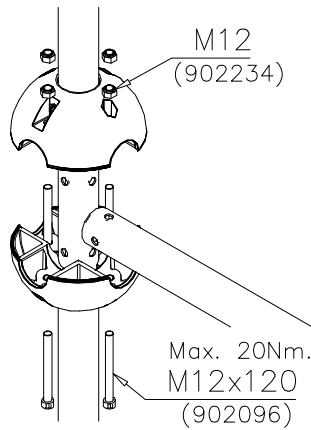
DET 3



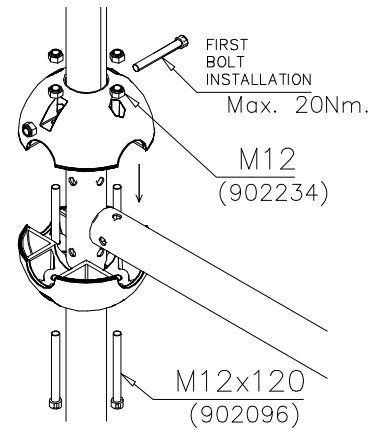
DET 4



DET 5

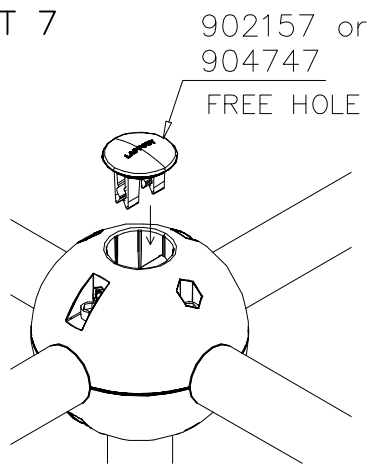


DET 6



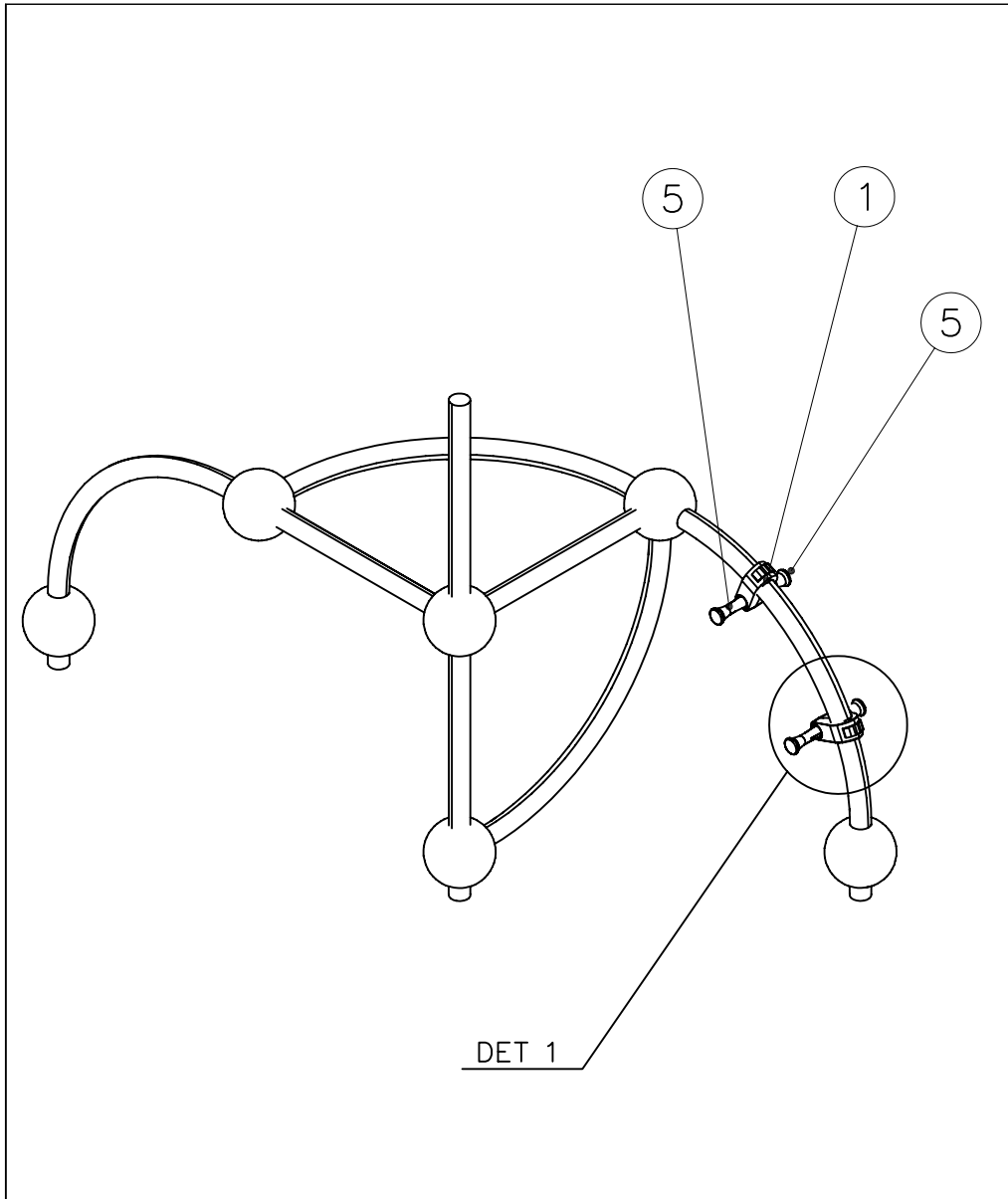
REMEMBER  
FINAL  
TIGHTENING

DET 7



DET 8





|           |     |          |     |
|-----------|-----|----------|-----|
| ① 902196  | PCS | ② 902232 | PCS |
|           | 2   |          | 1   |
| 150x50x50 |     | M10x55   |     |
| ③ 902233  | PCS | ④ 902273 | PCS |
|           | 1   |          | 2   |
| M10x30    |     |          |     |
| ⑤ 905023  | PCS | ⑥ 905112 | PCS |
|           | 2   |          | 2   |
| Ø50x126   |     | Ø22      |     |
| ⑦ 909195  | PCS | ⑧ 980150 | PCS |
|           | 1   |          | 1   |
| M8x190    |     | M8       |     |
| ⑨ 980161  | PCS |          | PCS |
|           | 2   |          |     |
| M10       |     |          |     |
|           | PCS |          | PCS |

