

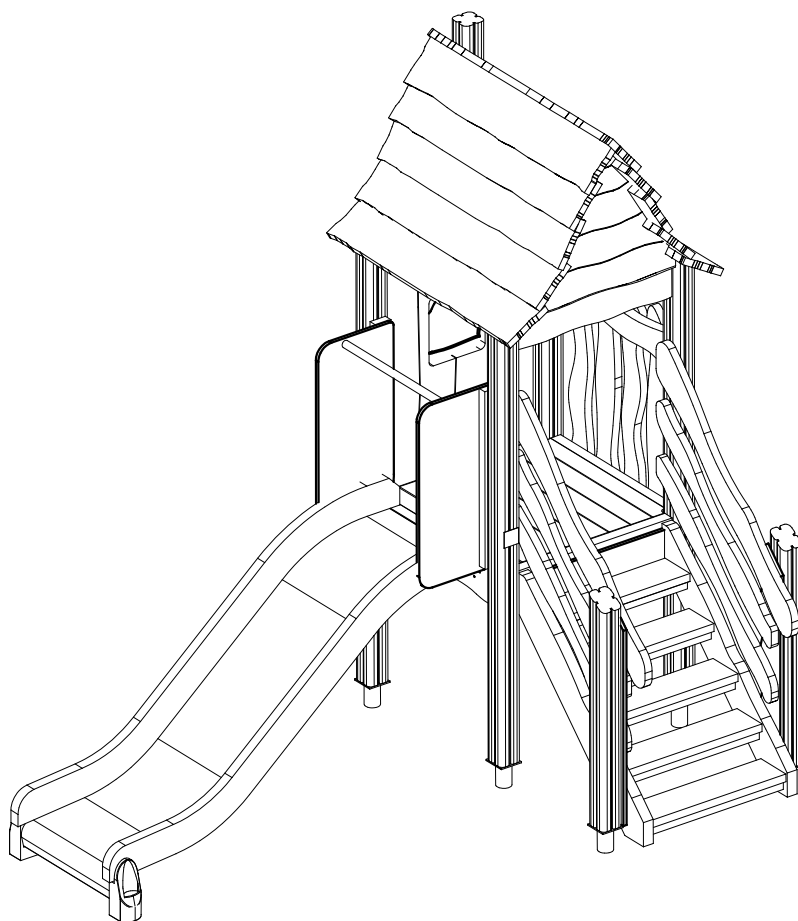
LAPPSET®

FLORA

ASENNUSOHJE
MONTERINGSANSVISNING
INSTALLATION INSTRUCTION
AUFBAUANLEITUNG
NOTICE D'INSTALLATION

DATE: 18.4.2024

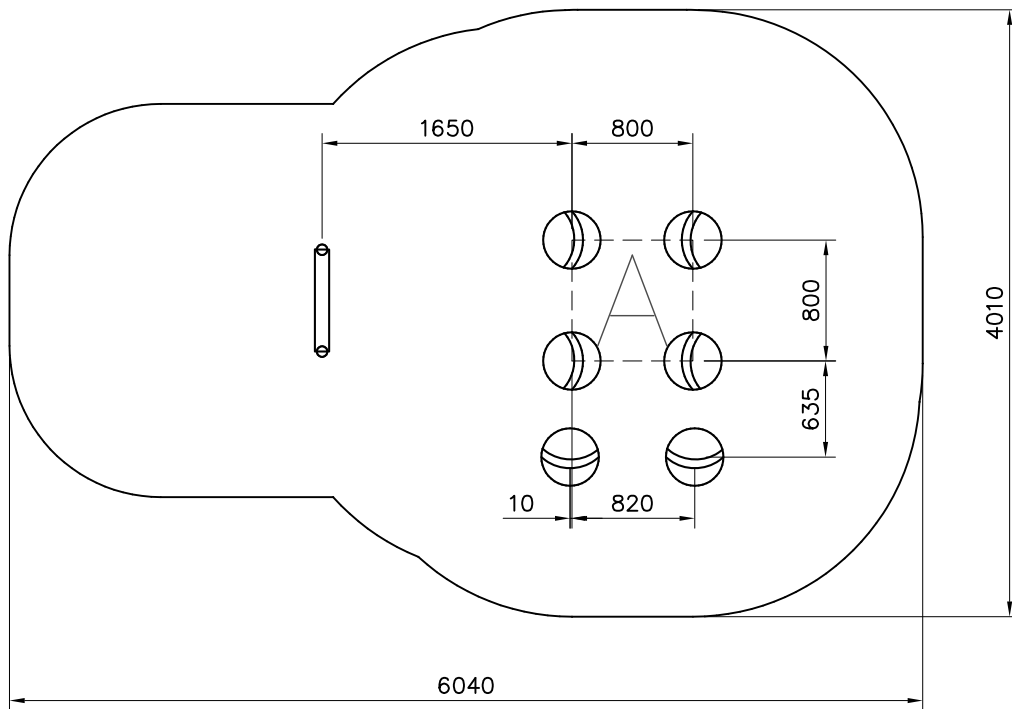
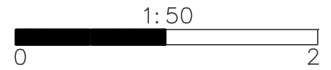
175585M



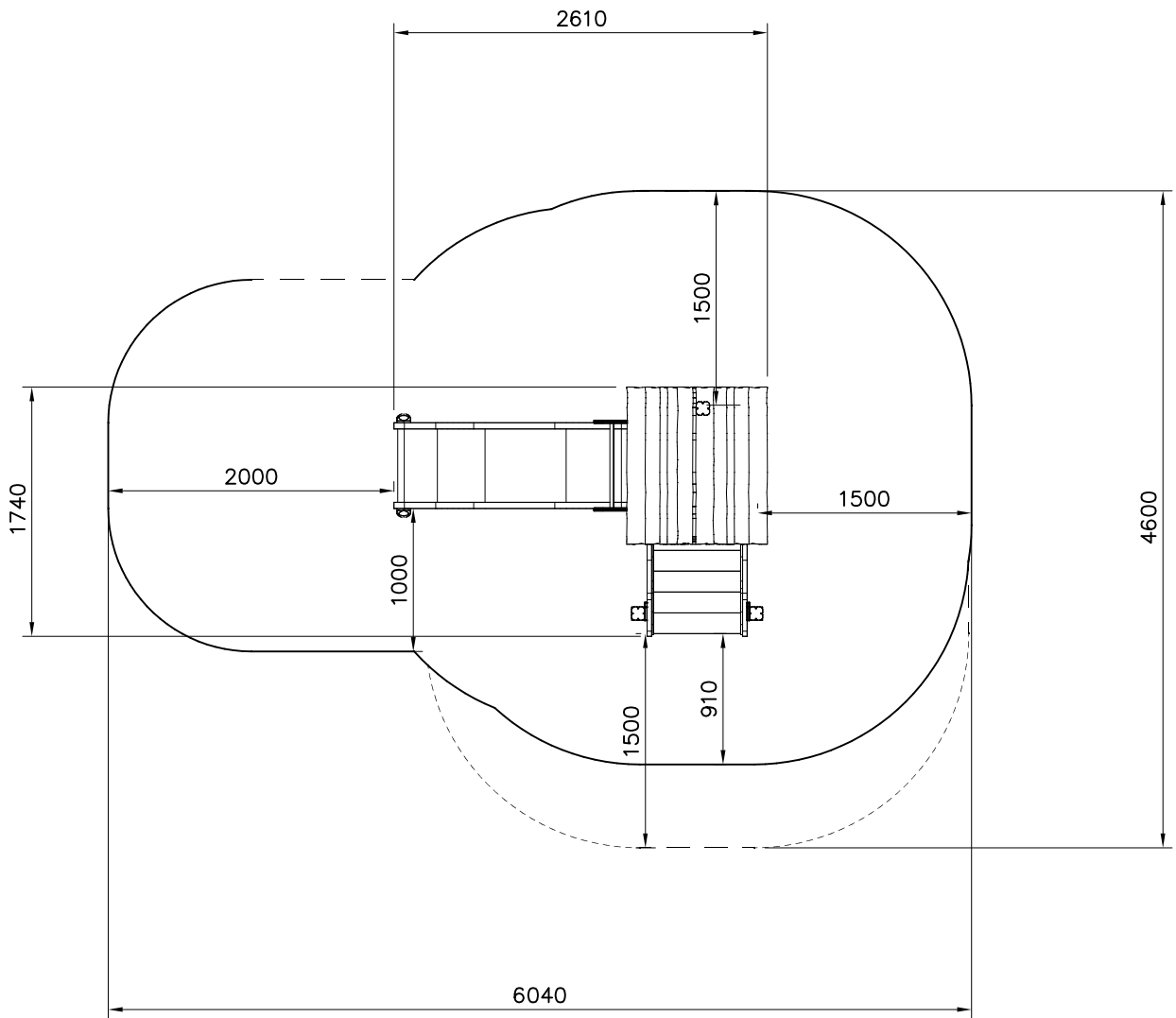
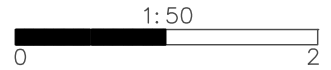
DATE: 18.4.2024

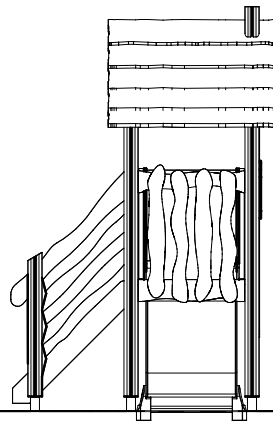
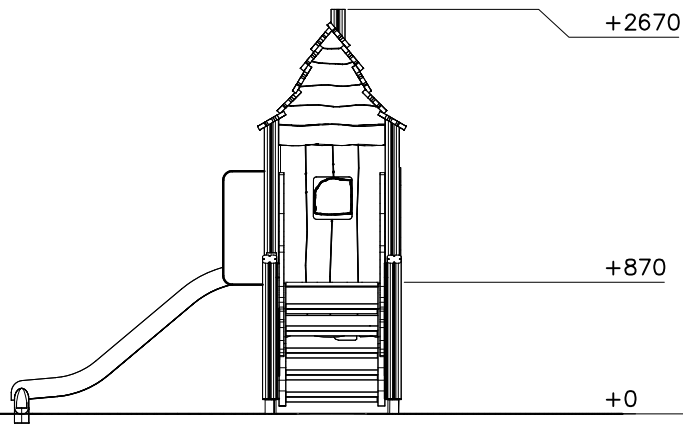
702286 65x65	PCS 1	705211 45x145x715	PCS 4	705230 93x93x1846	PCS 1	705258 93x93x1846	PCS 1	706185 93x93x1846	PCS 1	706192 93x93x946	PCS 2
706234 93x93x1846	PCS 1	708901 93x93x1846	PCS 1	711369 93x93x1846	PCS 4	711506 93x93x1846	PCS 1	711508 93x93x1846	PCS 1	903093 Ø8x90	PCS 16
905104 M10	PCS 24	980114 Ø4x20	PCS 4		PCS		PCS		PCS		PCS
	PCS		PCS		PCS		PCS		PCS		PCS
	PCS		PCS		PCS		PCS		PCS		PCS
FOOT OPTIONS			PCS		PCS		PCS		PCS		PCS
○ 909521 93x93x1846	PCS 6	○ 701898 93x93x1846	PCS 6		PCS		PCS		PCS		PCS

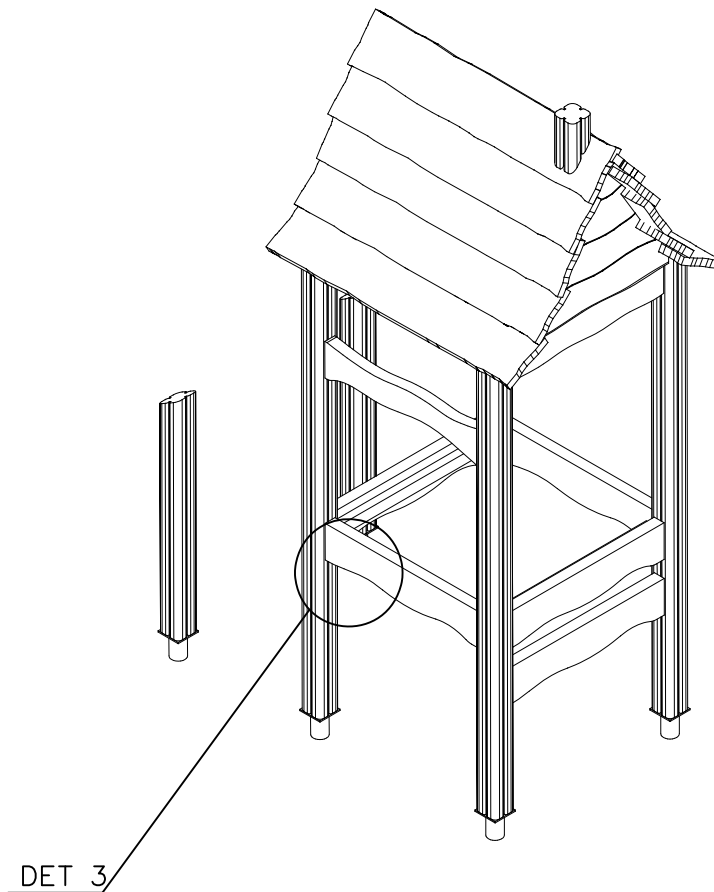
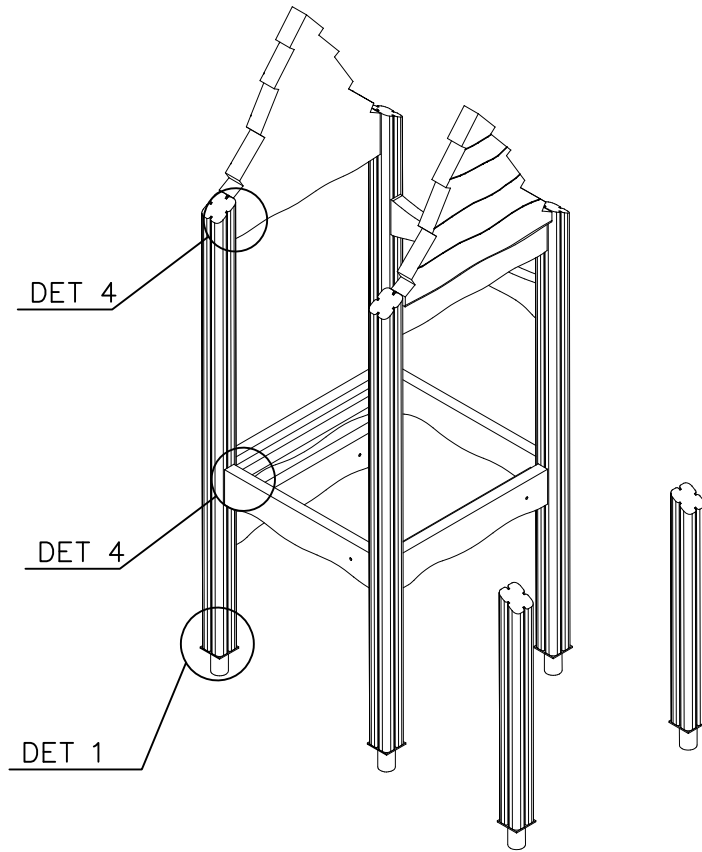
EN/AS Impact Area 19 m²



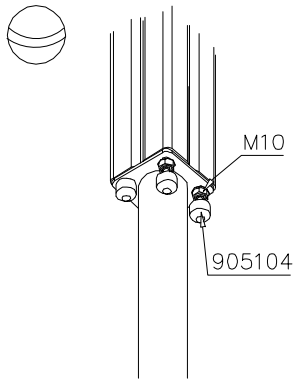
- EN/AS Impact Area 19 m²
- - - - Falling Space 21.1 m²
- Max Falling Height 1000 mm



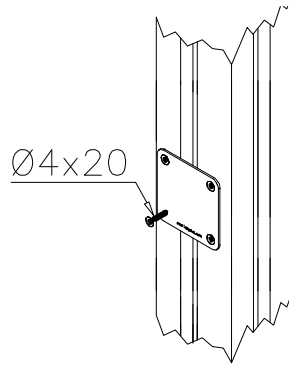




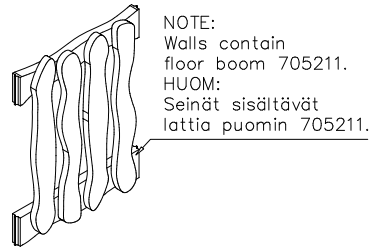
DET 1



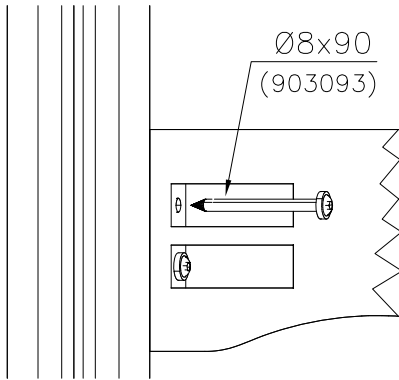
DET 2



DET 3



DET 4



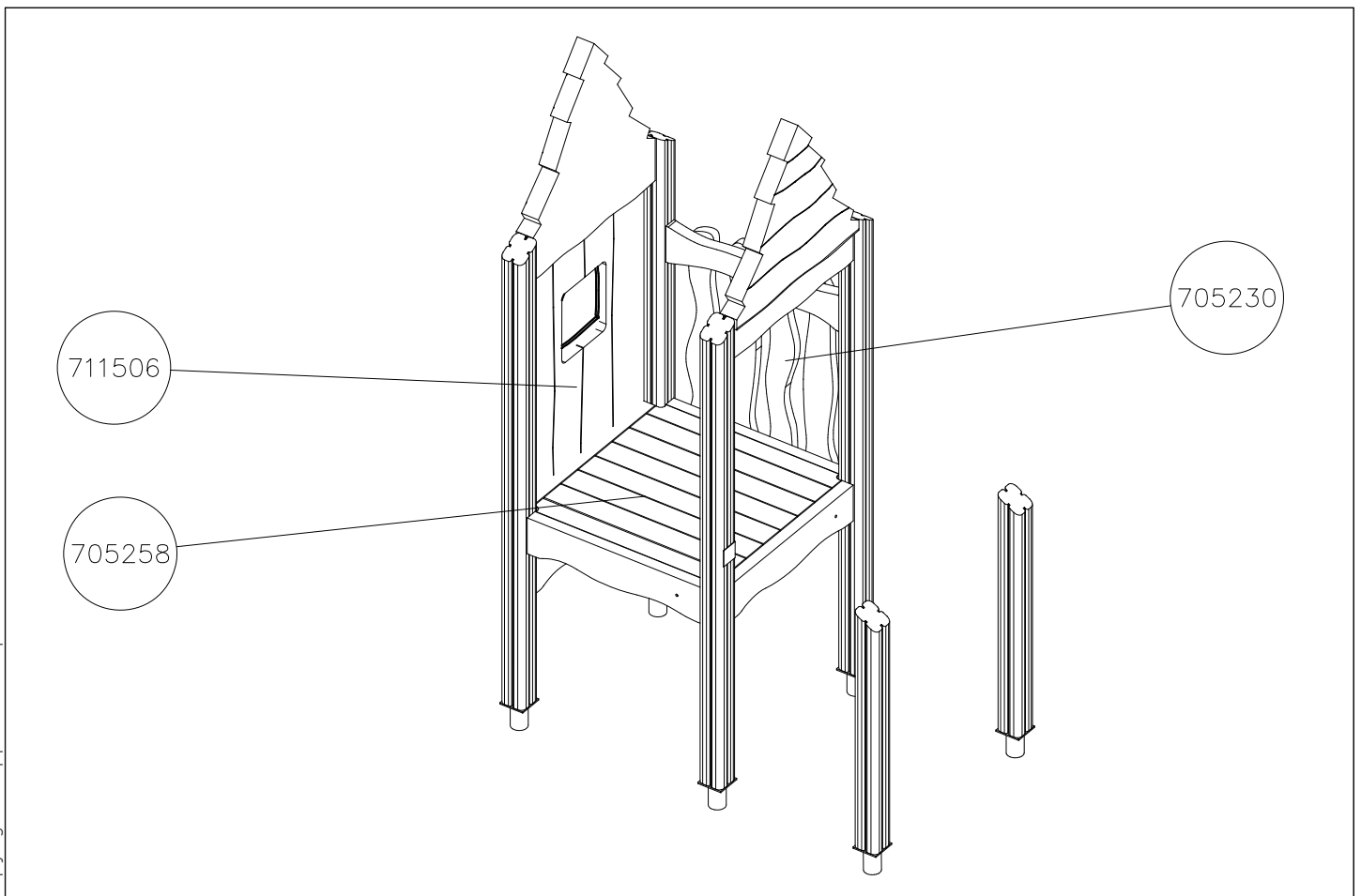
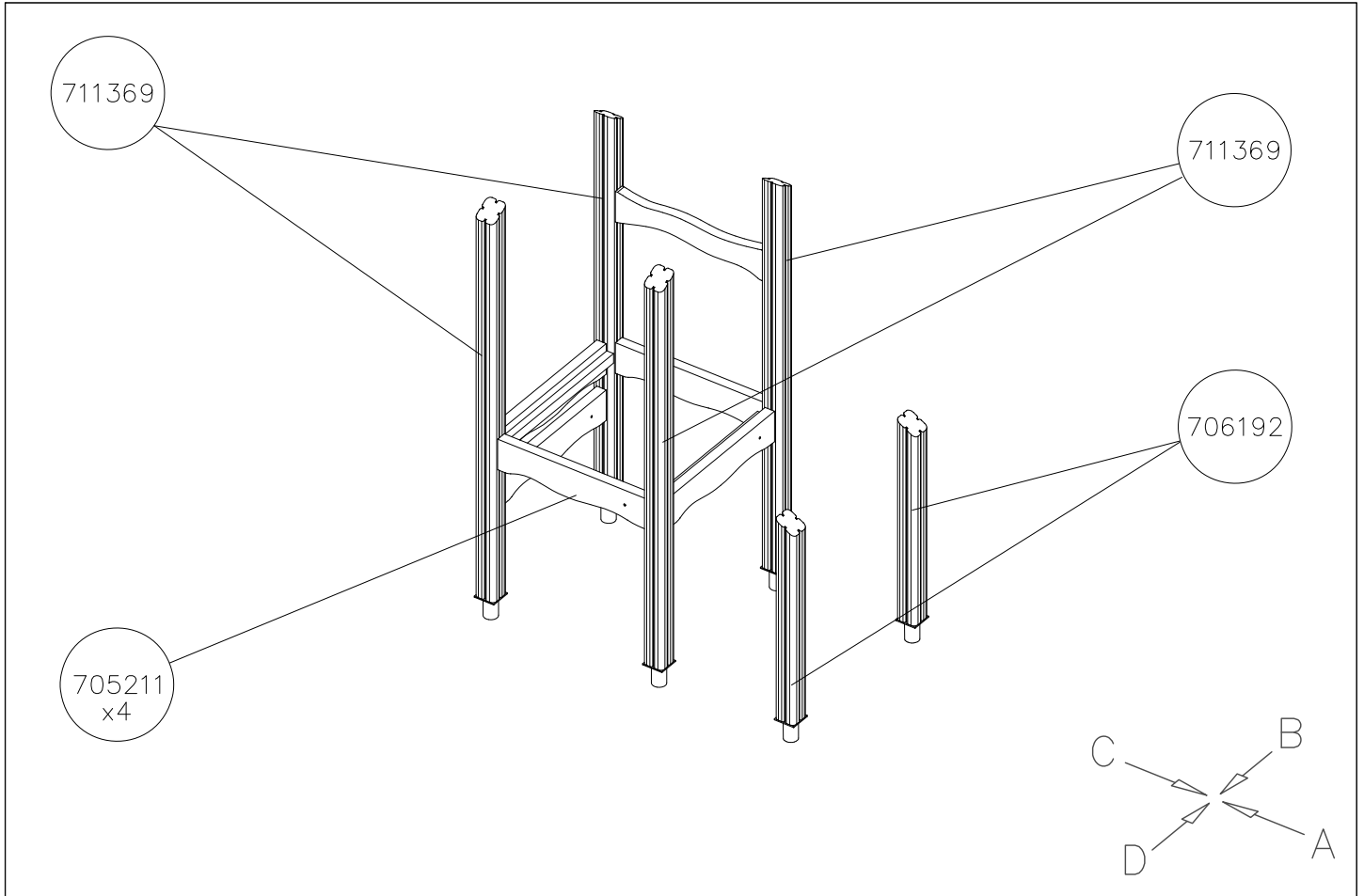
DET 5

DET 6

DET 7

DET 8

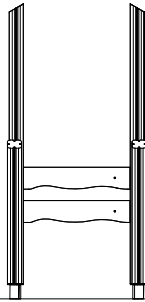
DET 9



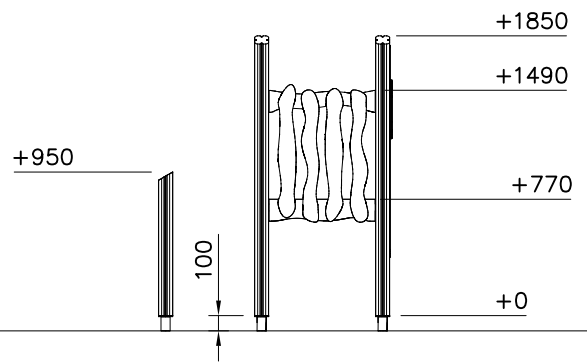
DATE: 18.4.2024

1:50

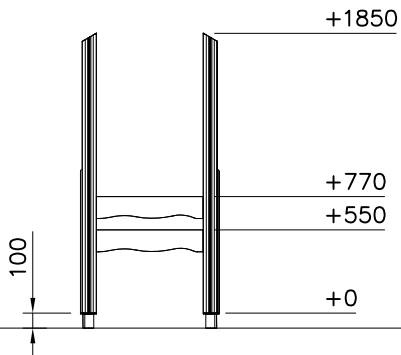
A



B



C



D

