

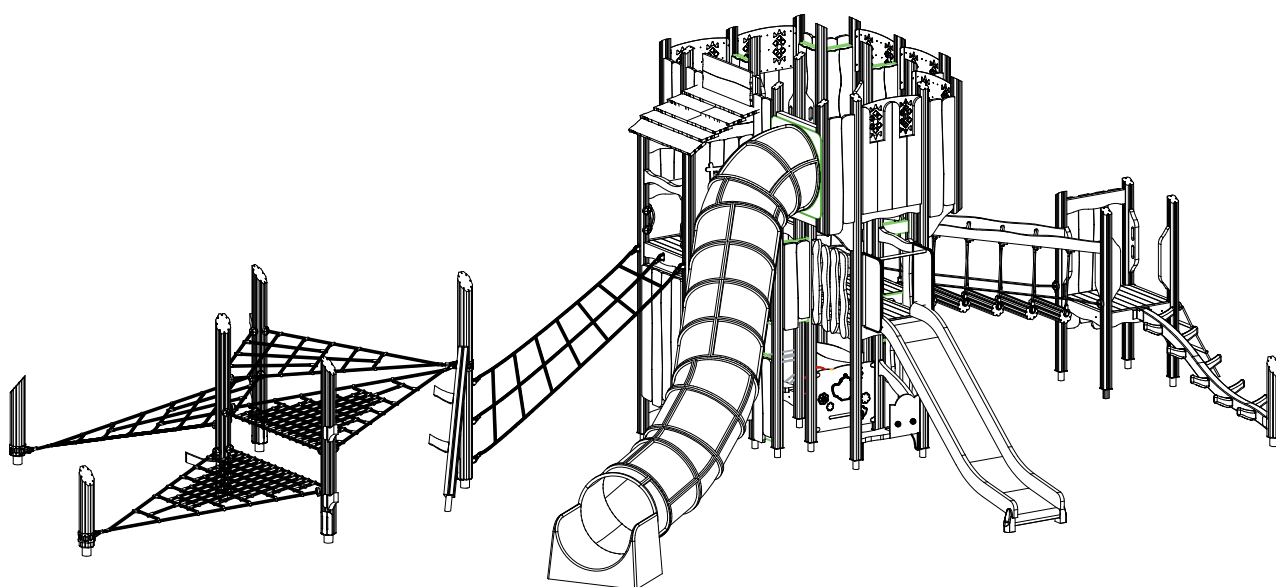
# **LAPPSET®**

## **FLORA**


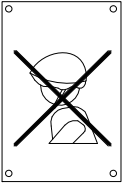
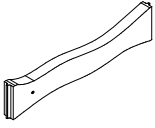
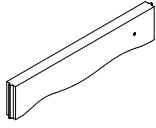
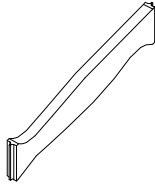
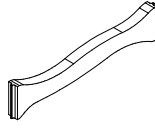
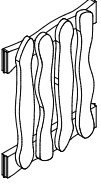


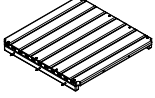



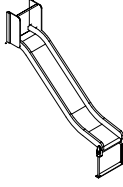

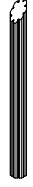
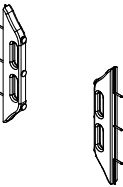

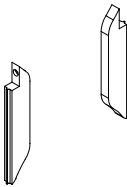



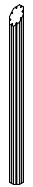
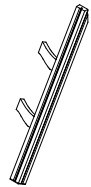

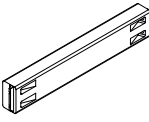
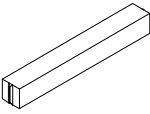
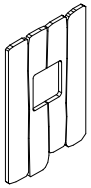




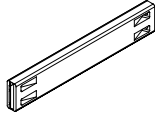
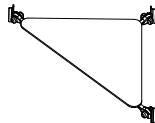

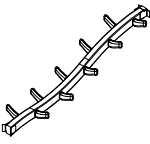



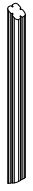
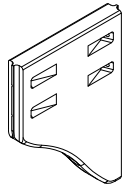


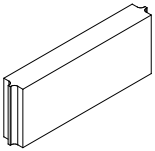

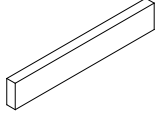
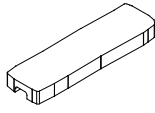
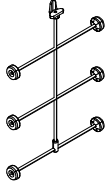

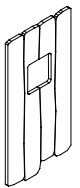



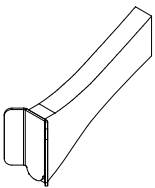

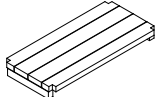



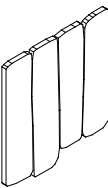

ASENNUSOHJE  
MONTERINGSANSVISNING  
INSTALLATION INSTRUCTION  
AUFBAUANLEITUNG  
NOTICE D'INSTALLATION

DATE: 21.5.2024

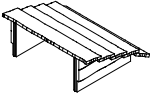


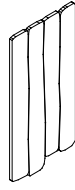
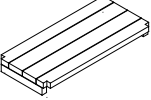
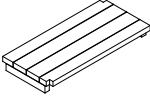






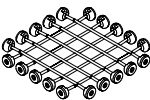
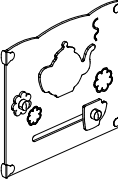
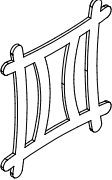
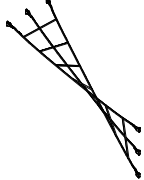

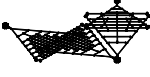







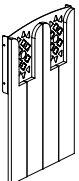
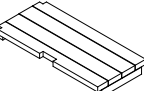
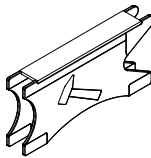

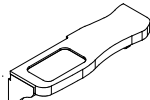



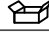


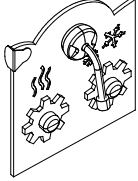
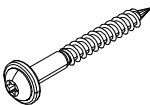
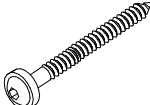
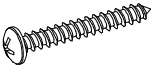
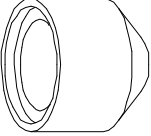
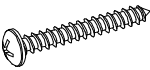

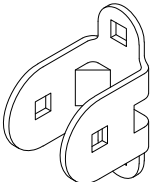
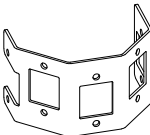
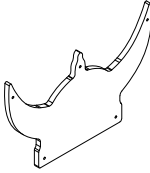
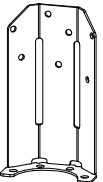
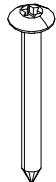
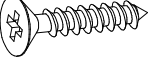
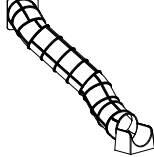
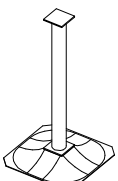

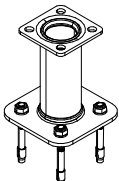
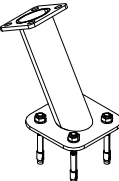
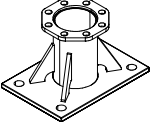




### **175523M**



DATE: 21.5.2024

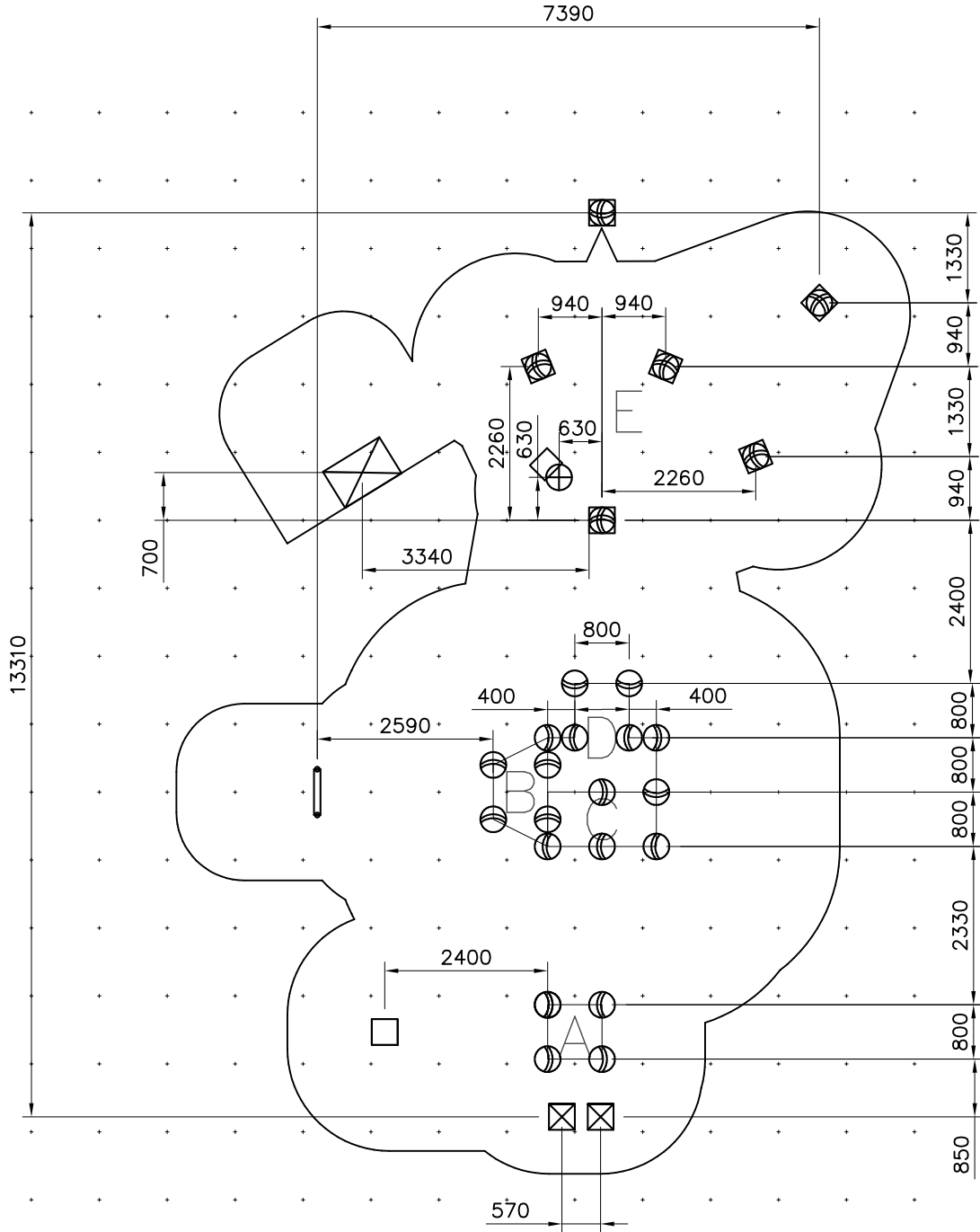
702286  65x65	PCS 1	702339  118x78	PCS 1	705197  45x145x724	PCS 5	705211  45x145x724	PCS 48	705212  45x158x771	PCS 1	705214  45x145x724	PCS 2
705230  	PCS 1	705236  93x93x3138	PCS 2	705258  	PCS 6	705270  	PCS 1	705308  	PCS 1	705394  140x140x1800	PCS 3
705506  	PCS 4	705507  	PCS 2	705511  	PCS 10	705807  140x140x2094	PCS 1	705819  	PCS 1	706512  70x120x724	PCS 2
707912  93x93x704	PCS 1	708437  	PCS 1	708457  	PCS 1	708575  140x140x800	PCS 3	708746  45x120x724	PCS 7	708945  	PCS 1
709869  	PCS 1	709888  93x93x3750	PCS 11	709901  93x93x2570	PCS 2	709903  93x93x1390	PCS 8	709904  45x324x450	PCS 8	710123  10x260x310	PCS 1
710124  10x150x200	PCS 1	711368  45x120x324	PCS 36	711369  93x93x1846	PCS 5	711375  45x120x741	PCS 9	711393  45x145x500	PCS 1	711505  	PCS 1
711506  	PCS 3	711510  	PCS 1	711514  	PCS 5	711516  	PCS 6	711517  	PCS 8	711519  	PCS 6

DATE: 21.5.2024

711522	PCS 1	711536	PCS 10	711538	PCS 6	711541	PCS 2	711542	PCS 3	711543	PCS 5
											
											
711544	PCS 1	711583-705	PCS 1	711601	PCS 3	711604	PCS 1	711605	PCS 1	711611	PCS 1
											
											
711613	PCS 1	711614	PCS 6	711617	PCS 2	711627	PCS 1	711628	PCS 1	711629	PCS 1
											
											
711633-705	PCS 1	900240	PCS 62	903093	PCS 458	980106	PCS 5	905104	PCS 140	980114	PCS 8
											
		Ø8x70		Ø8x90		Ø5x40		M10		Ø4x20	
909561	PCS 4	910566	PCS 6	911405	PCS 1	911916	PCS 6	980123	PCS 48	980129	PCS 8
											
				12x247x402				7x60		Ø5x35	
A10520	PCS 1	<p style="text-align: center;">FOOT OPTIONS</p> <p style="text-align: center;">DEEP</p> <p style="text-align: center;">SURFACE</p>									
											
		909521	PCS 21	903112	PCS 7	701898	PCS 20	701899	PCS 1	711554	PCS 7
											
				L=750							

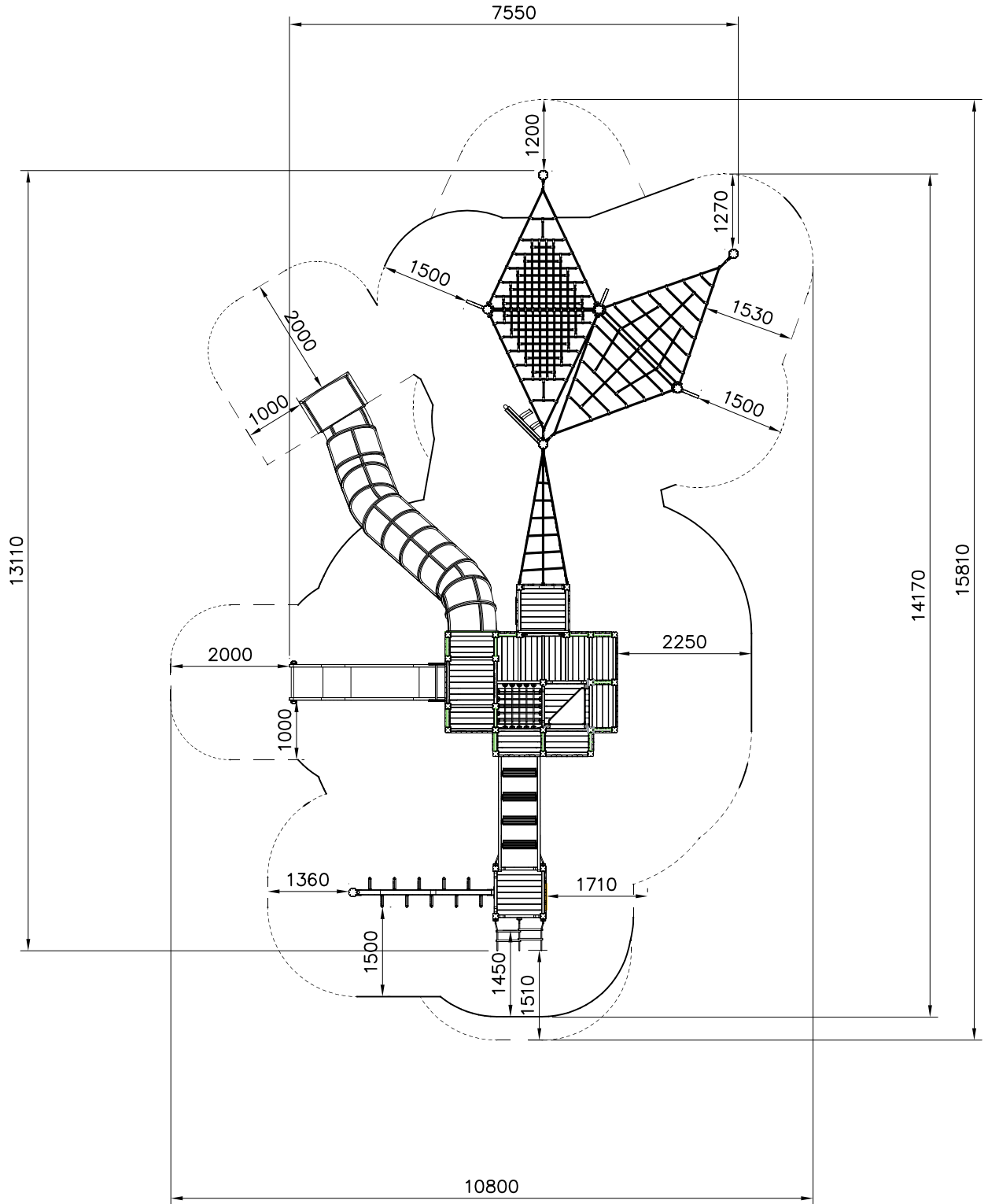
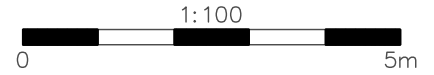
EN/AS Impact Area 101.7 m<sup>2</sup>

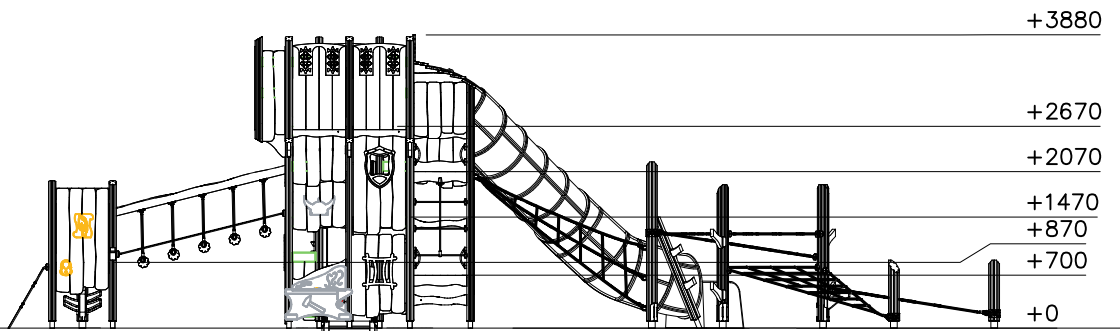
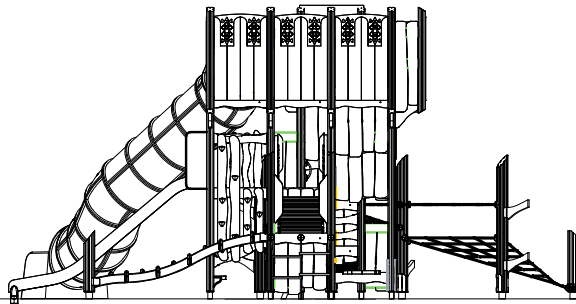
Grid size = 1000 mm

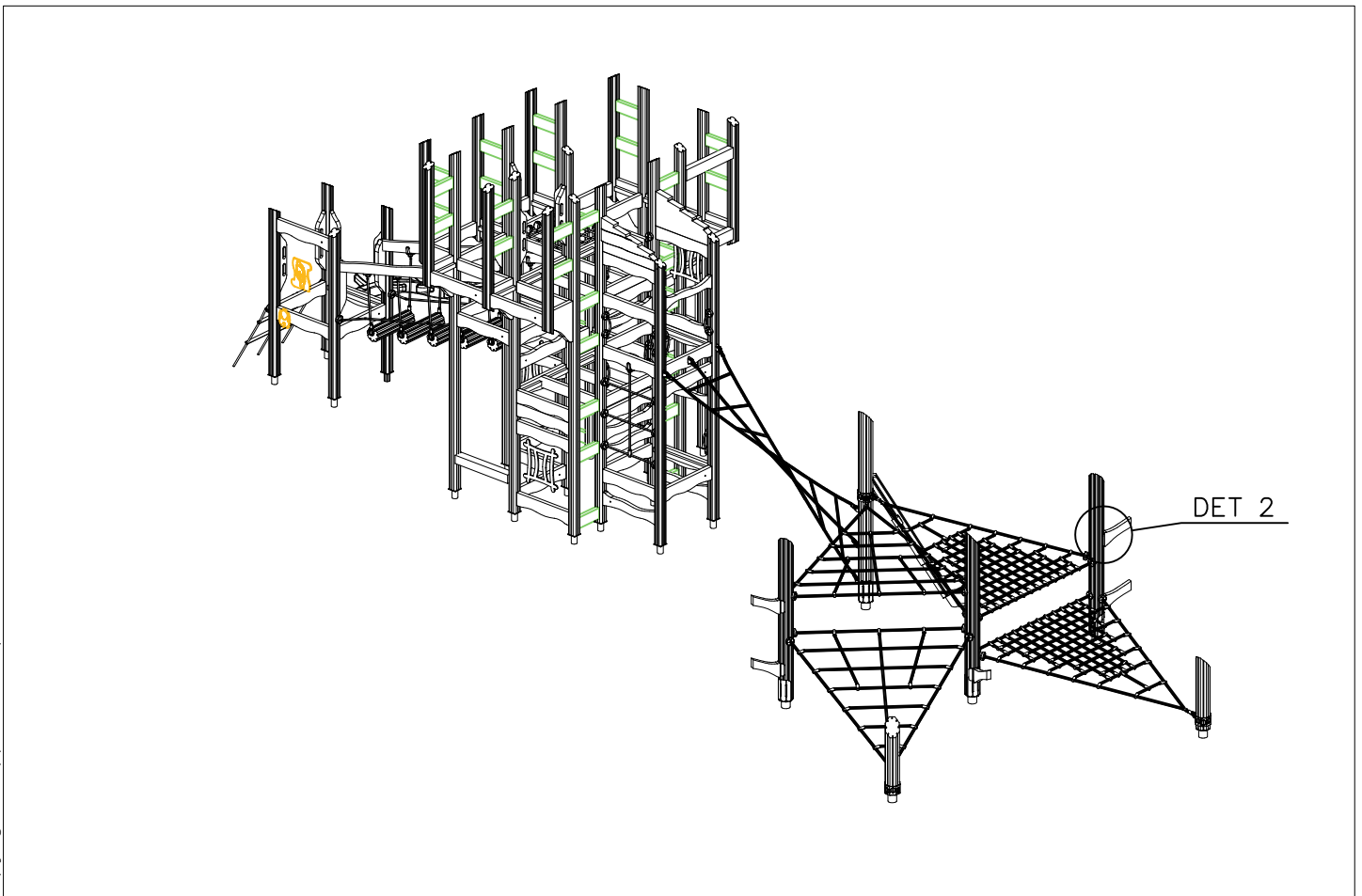
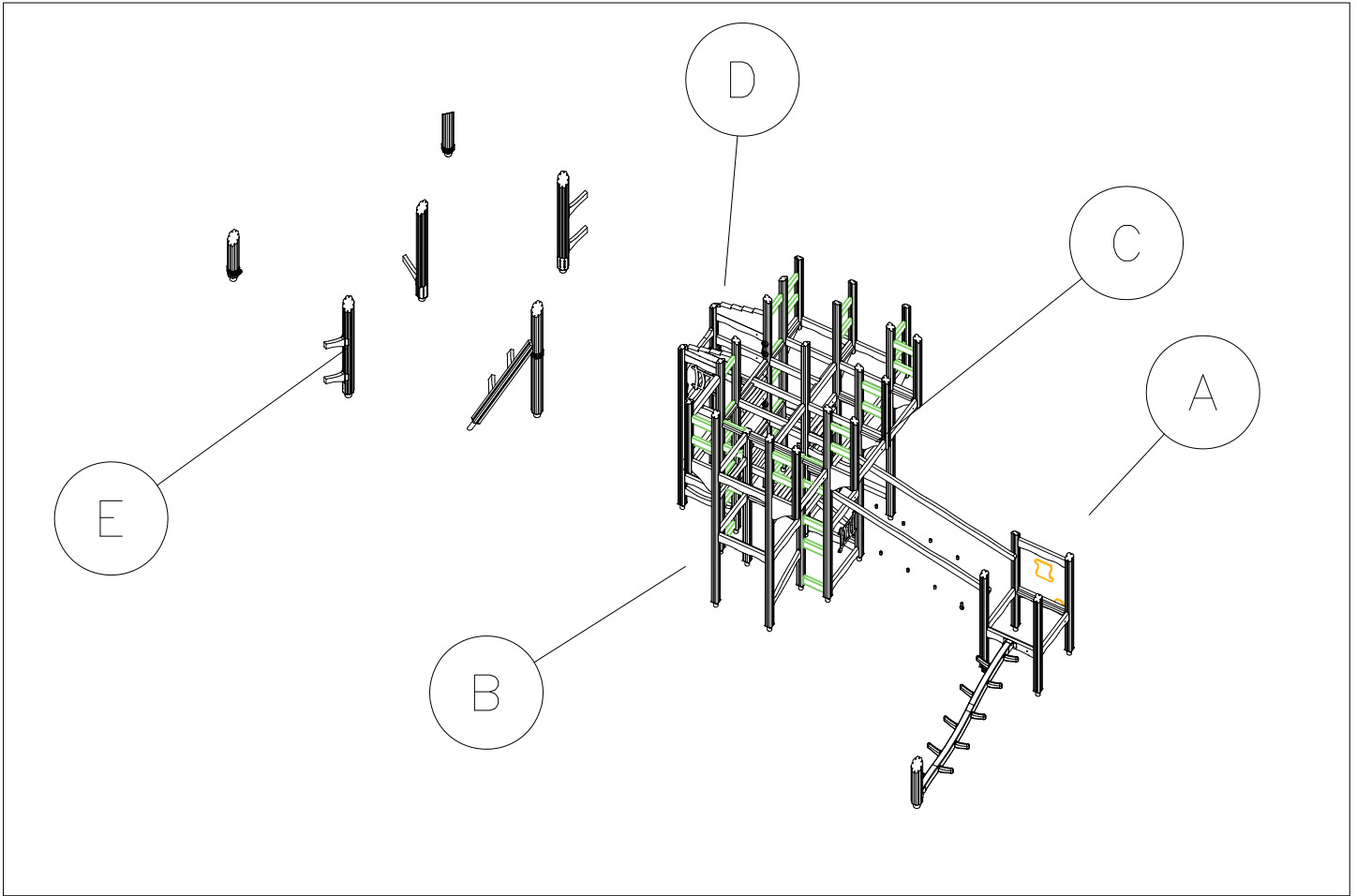


	<p>CHECK PLACES FROM DET 22 IN PAGE 7h</p>	

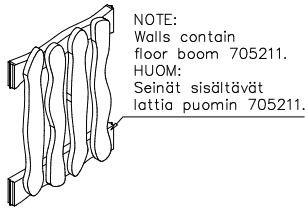
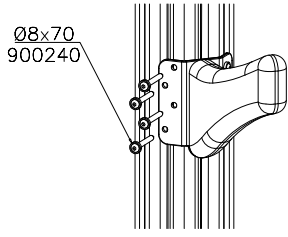
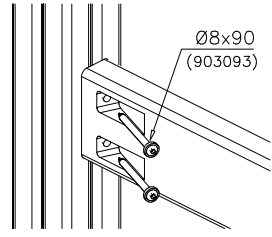
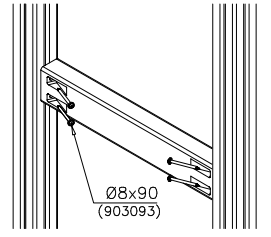
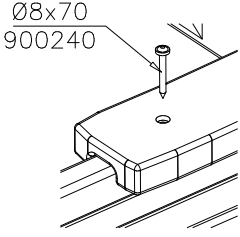
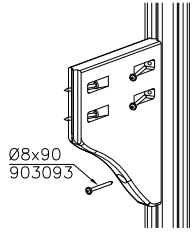
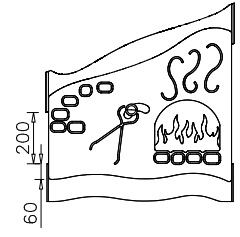
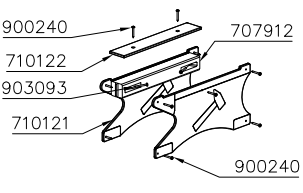
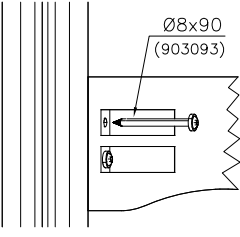
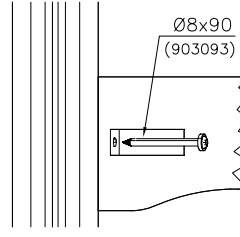
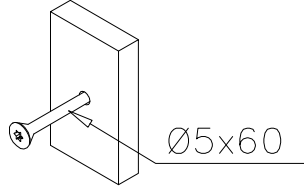
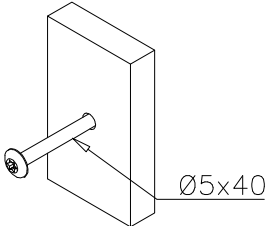
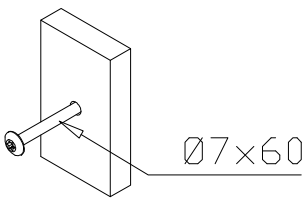
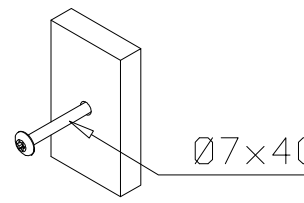
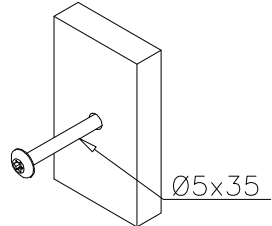
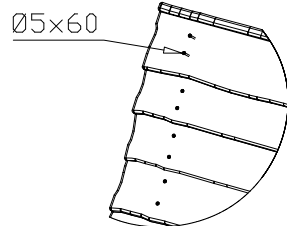
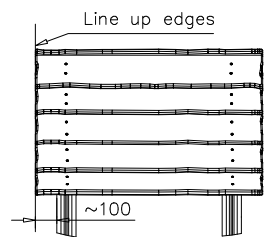
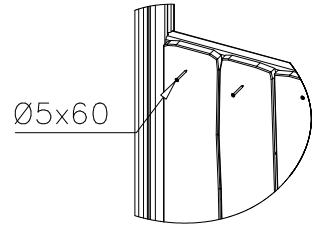
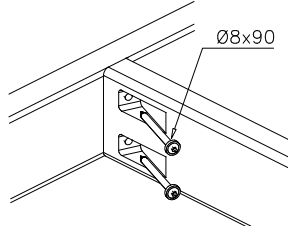
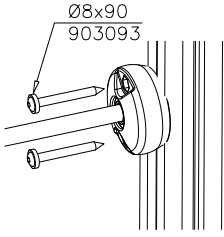
- EN/AS Impact Area 101.3 m<sup>2</sup>
- - - Falling Space 107.8 m<sup>2</sup>
- Max Falling Height 2670 mm



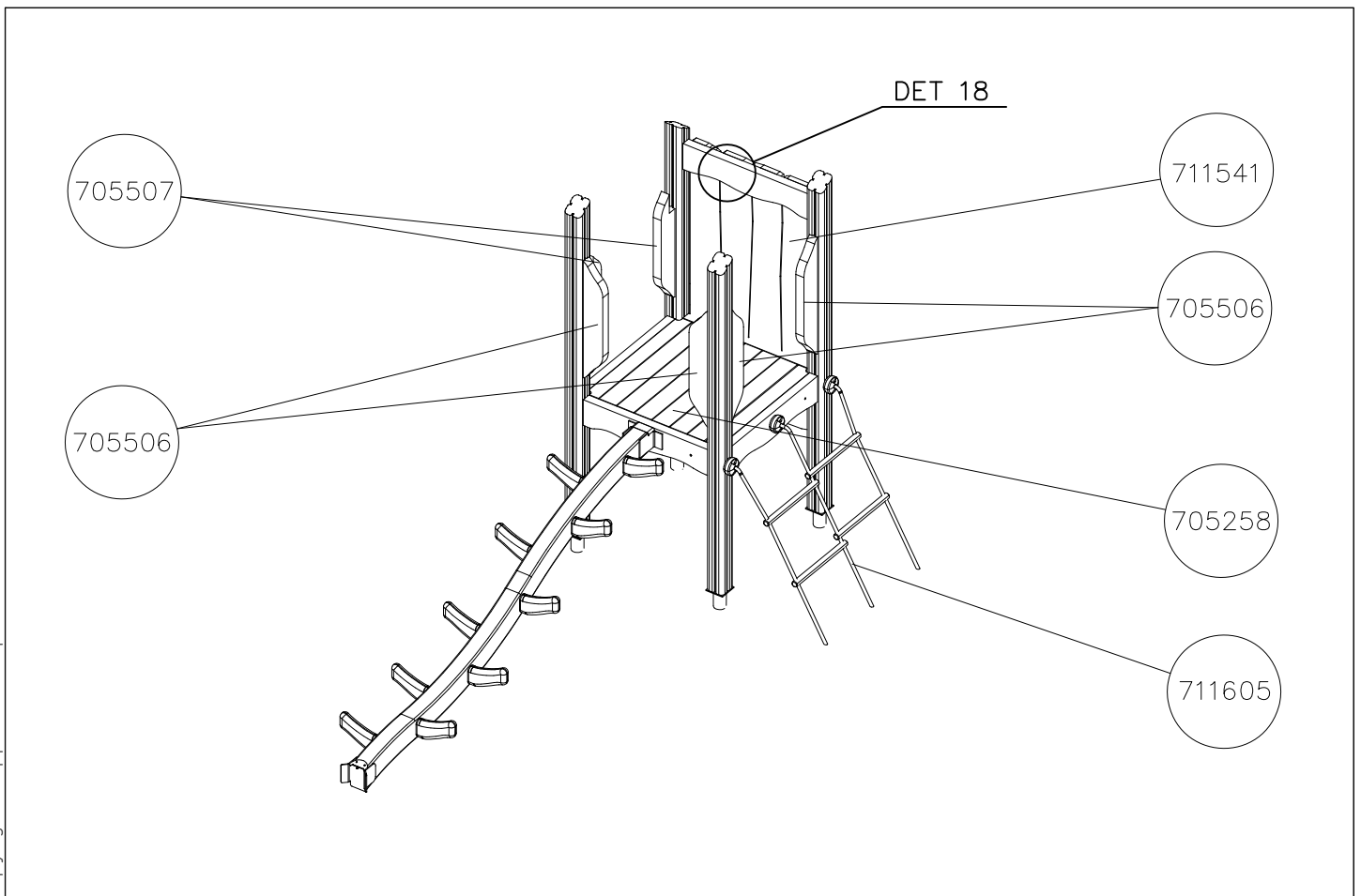
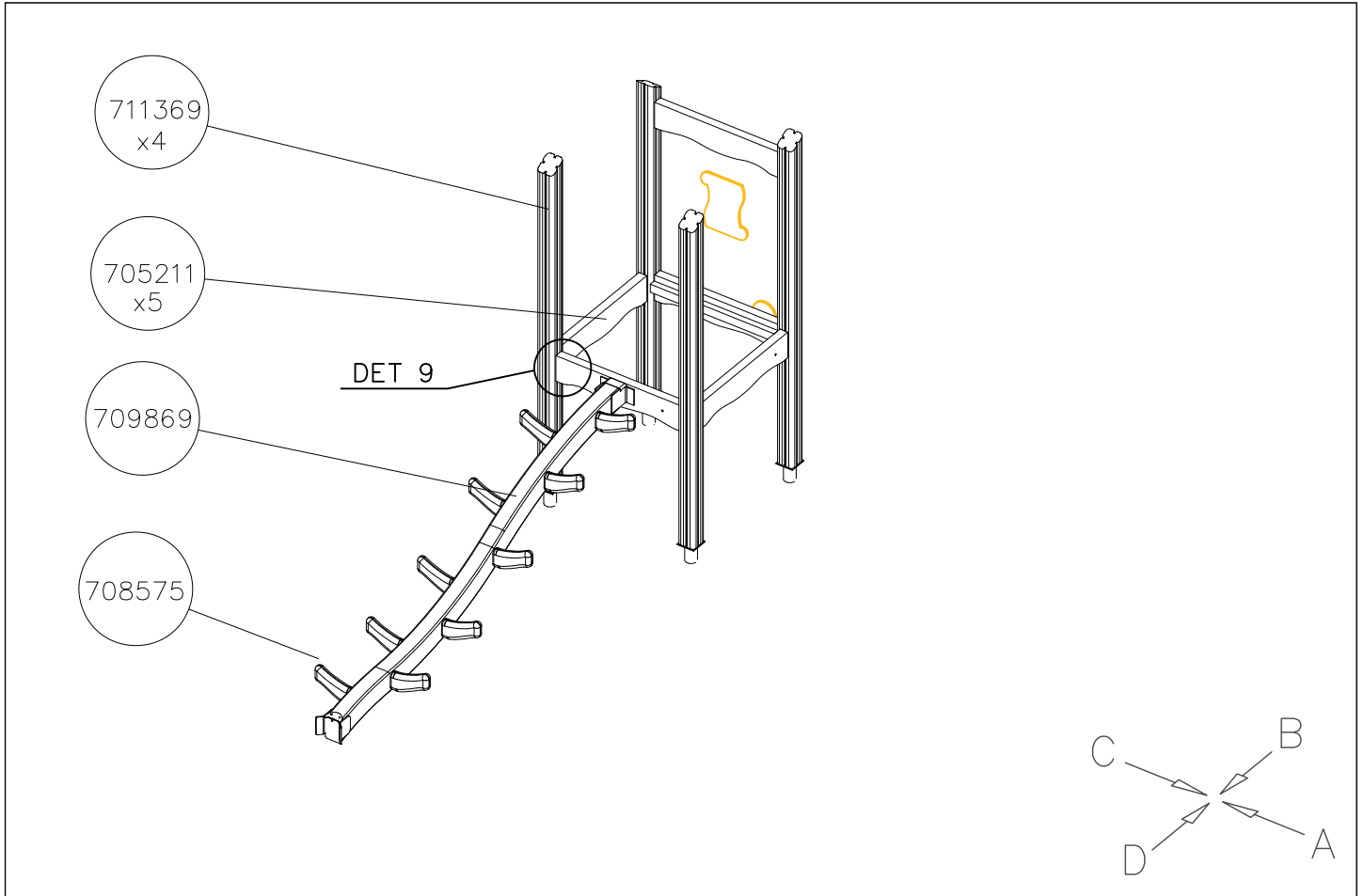






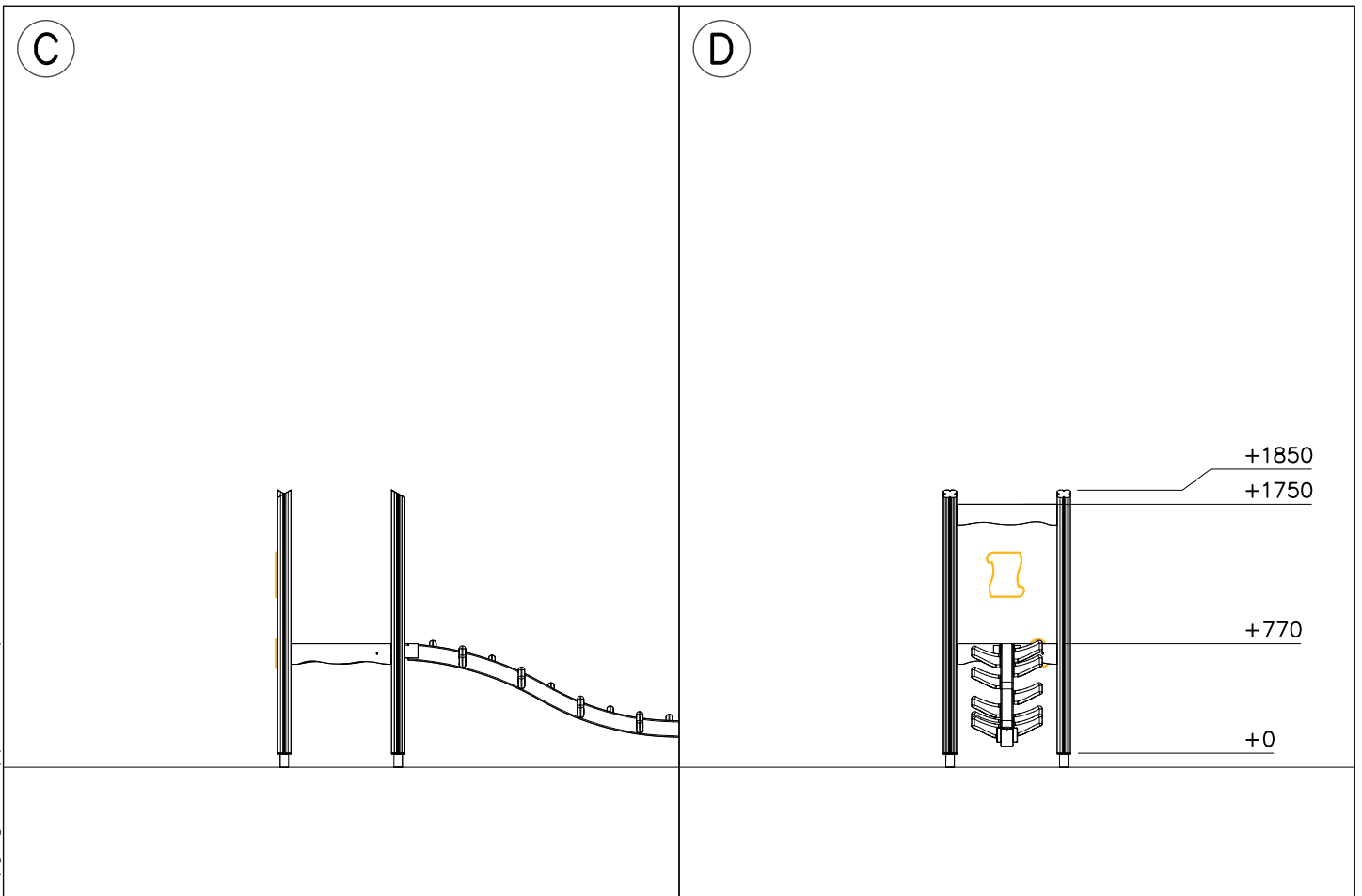
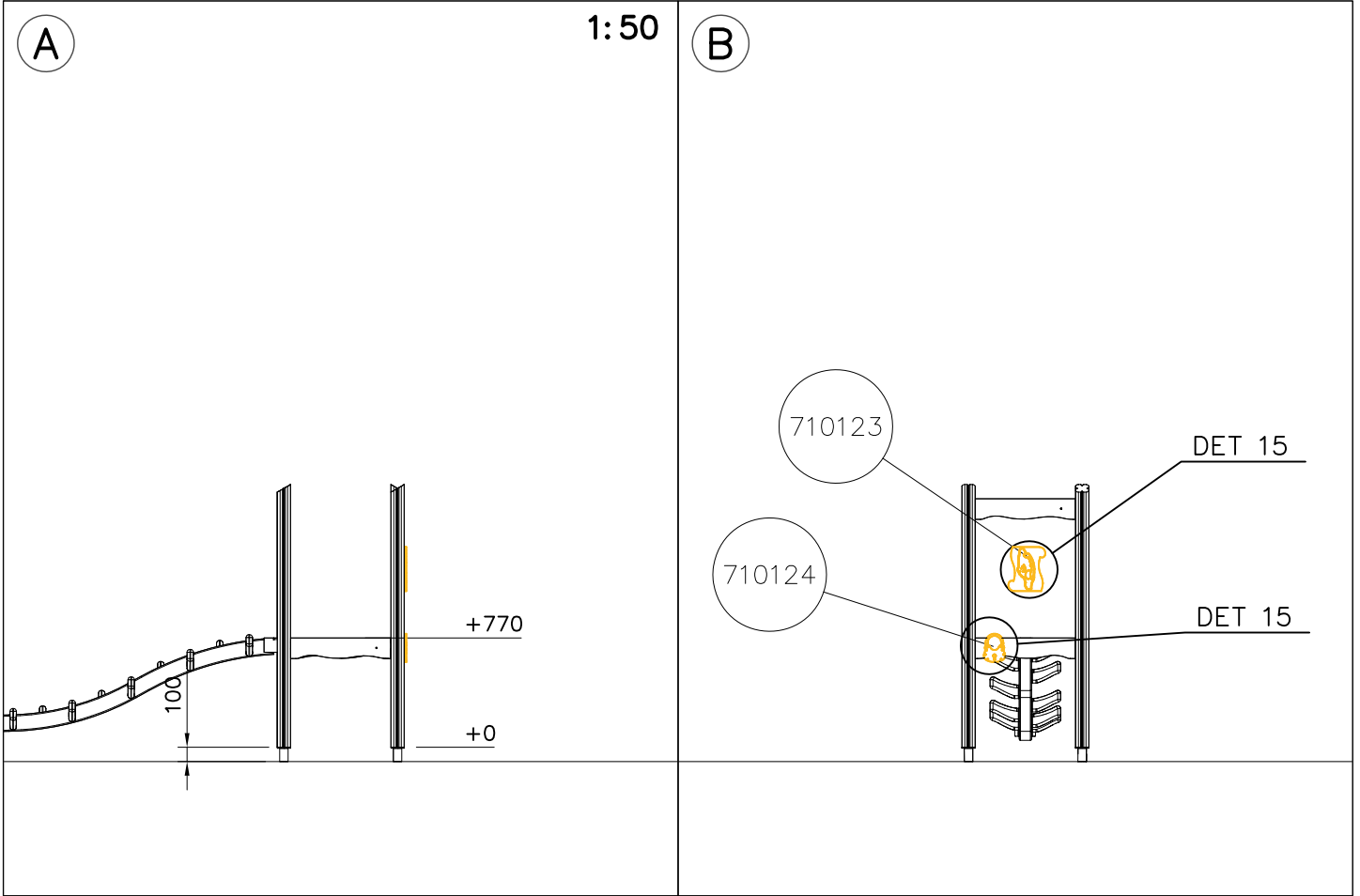
<p>DET 1</p>  <p>NOTE: Walls contain floor boom 705211. HUOM: Seinät sisältävät lattian puomin 705211.</p>	<p>DET 2</p>  <p>Ø8x70 900240</p>	<p>DET 3</p>  <p>Ø8x90 (903093)</p>	<p>DET 4</p>  <p>Ø8x90 (903093)</p>
<p>DET 5</p>  <p>Ø8x70 900240</p>	<p>DET 6</p>  <p>Ø8x90 903093</p>	<p>DET 7</p>  <p>Ø8x90 903093</p> <p>200 60</p>	<p>DET 8</p>  <p>900240 710122 903093 710121 900240</p>
<p>DET 9</p>  <p>Ø8x90 (903093)</p>	<p>DET 10</p>  <p>Ø8x90 (903093)</p>	<p>DET 11</p>  <p>Ø5x60</p>	<p>DET 12</p>  <p>Ø5x40</p>
<p>DET 13</p>  <p>Ø7x60</p>	<p>DET 14</p>  <p>Ø7x40</p>	<p>DET 15</p>  <p>Ø5x35</p>	<p>DET 16</p>  <p>Ø5x60</p>
<p>DET 17</p>  <p>Line up edges</p> <p>~100</p>	<p>DET 18</p>  <p>Ø5x60</p>	<p>DET 19</p>  <p>Ø8x90</p>	<p>DET 20</p>  <p>Ø8x90 903093</p>

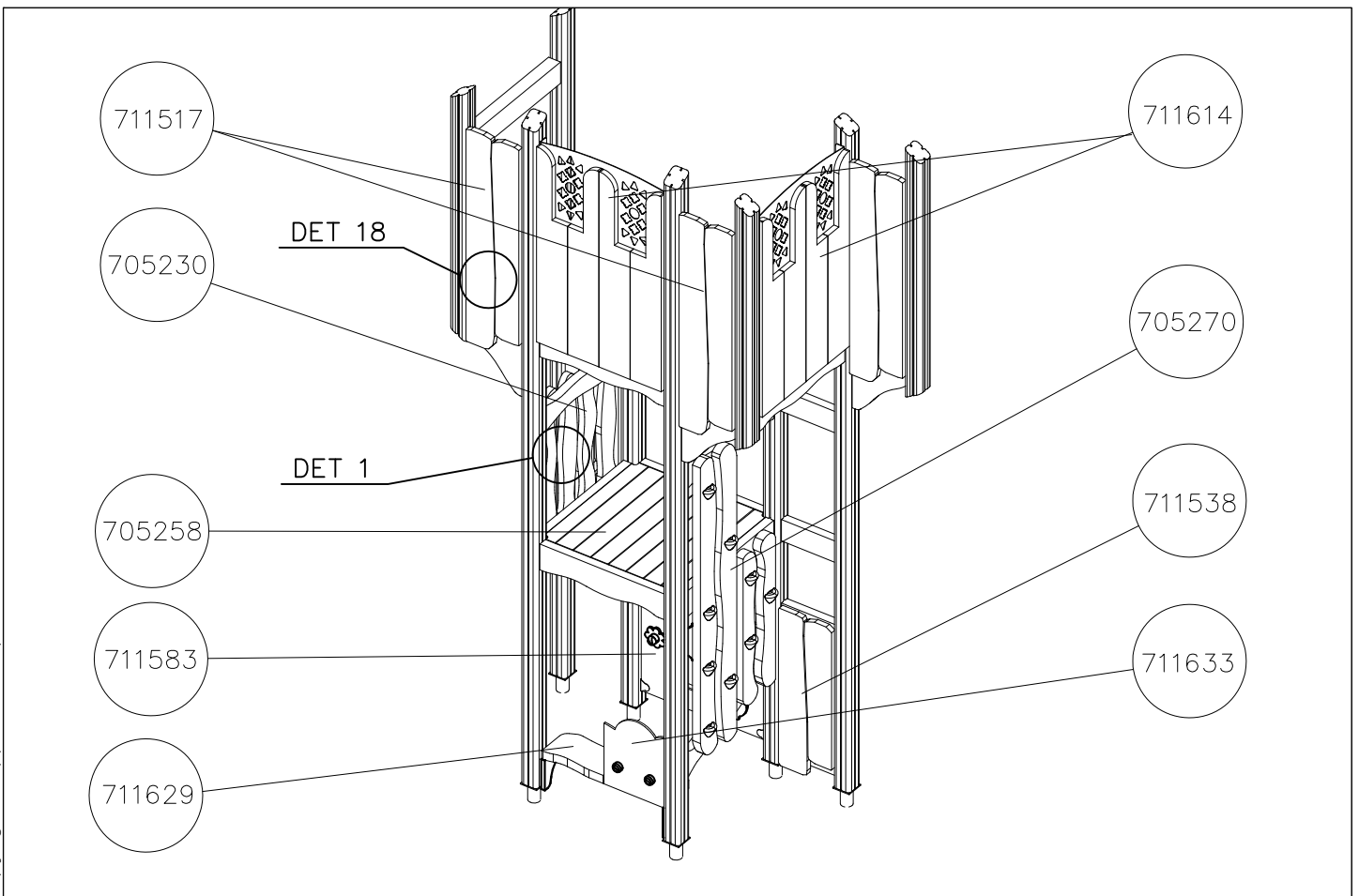
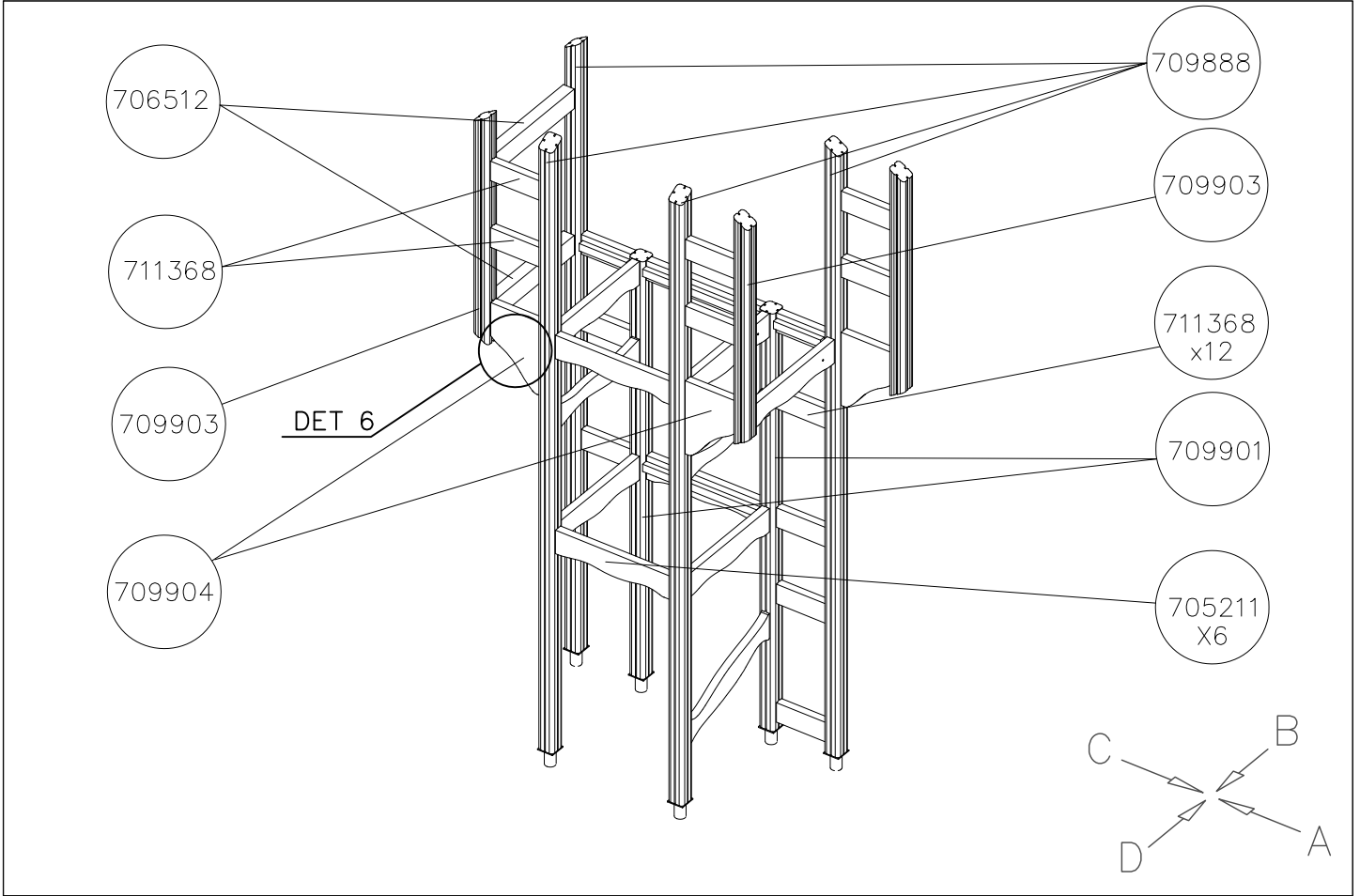
<p>DET 21</p> <p>909561</p> <p>Ø7x60 980123</p> <p>910566</p>	<p>DET 22</p> <p>Ø16/8.4 980151</p> <p>M8x45 901899</p> <p>M8 909633</p>		
<p>DET 23</p> <p>Ø8x70 900240</p> <p>911916</p>	<p>DET 24</p> <p>Ø7x40 (980128)</p> <p>Ø7x60 (980123)</p>		



DATE: 21.5.2024

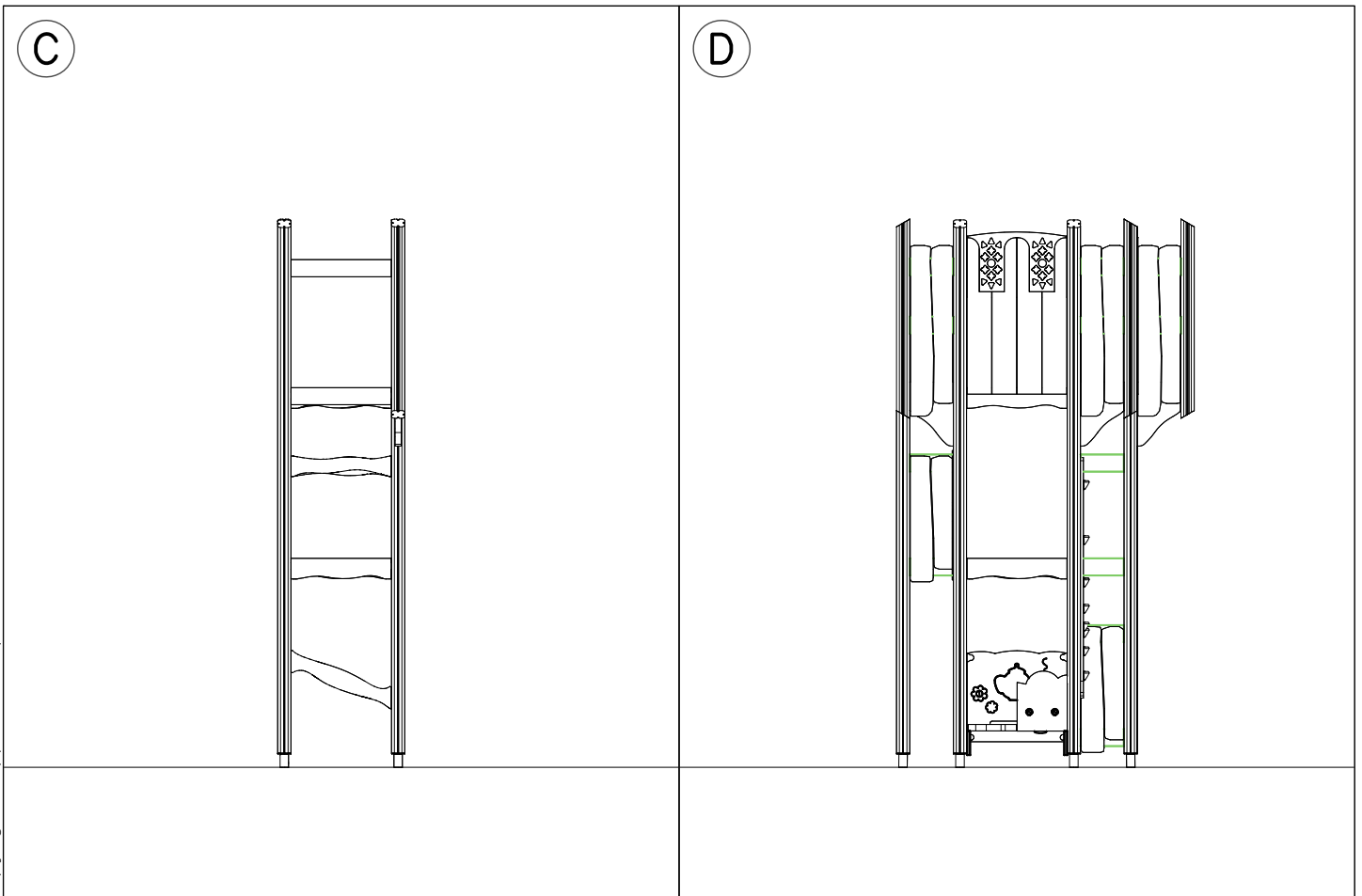
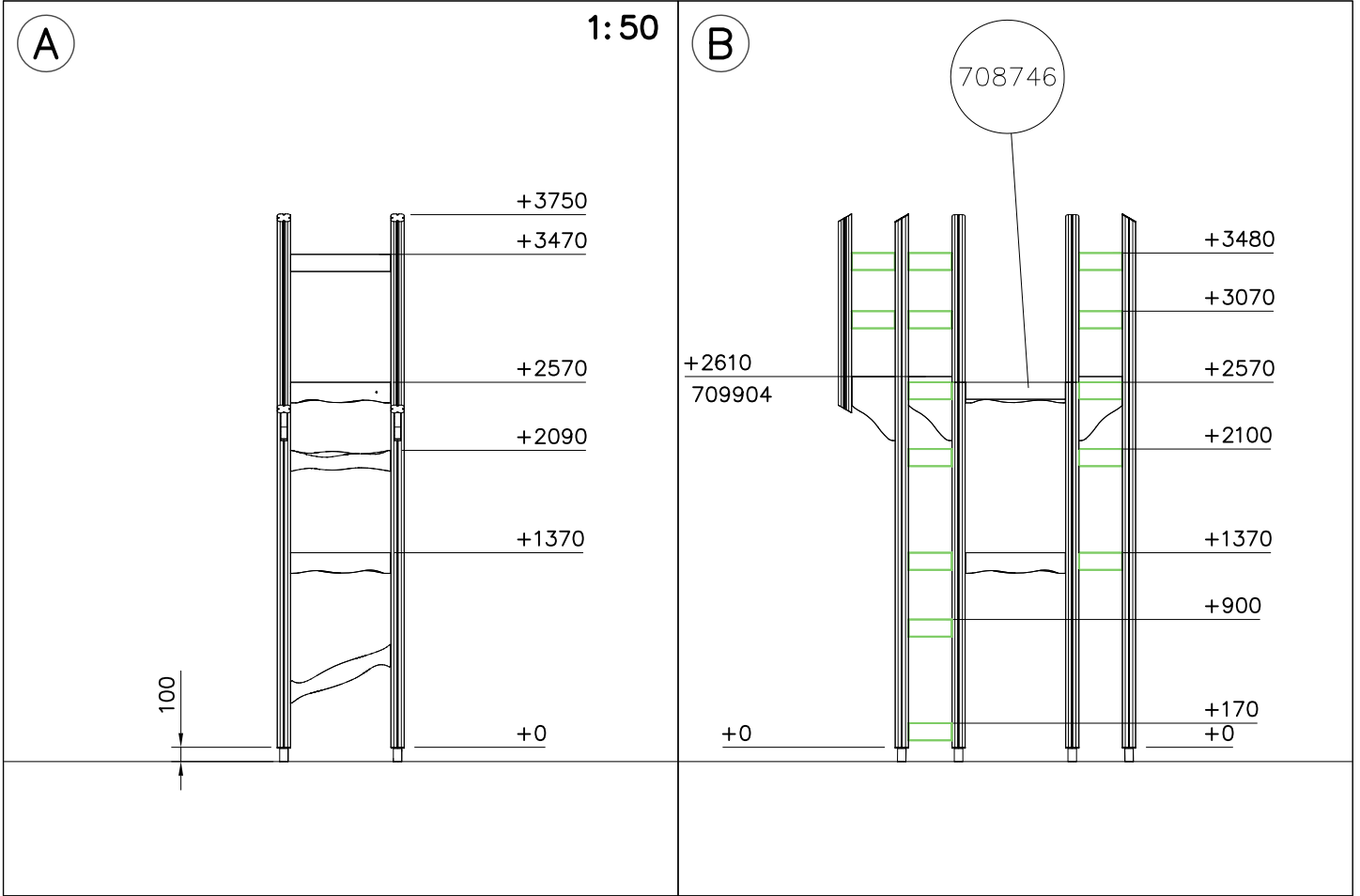
1:50

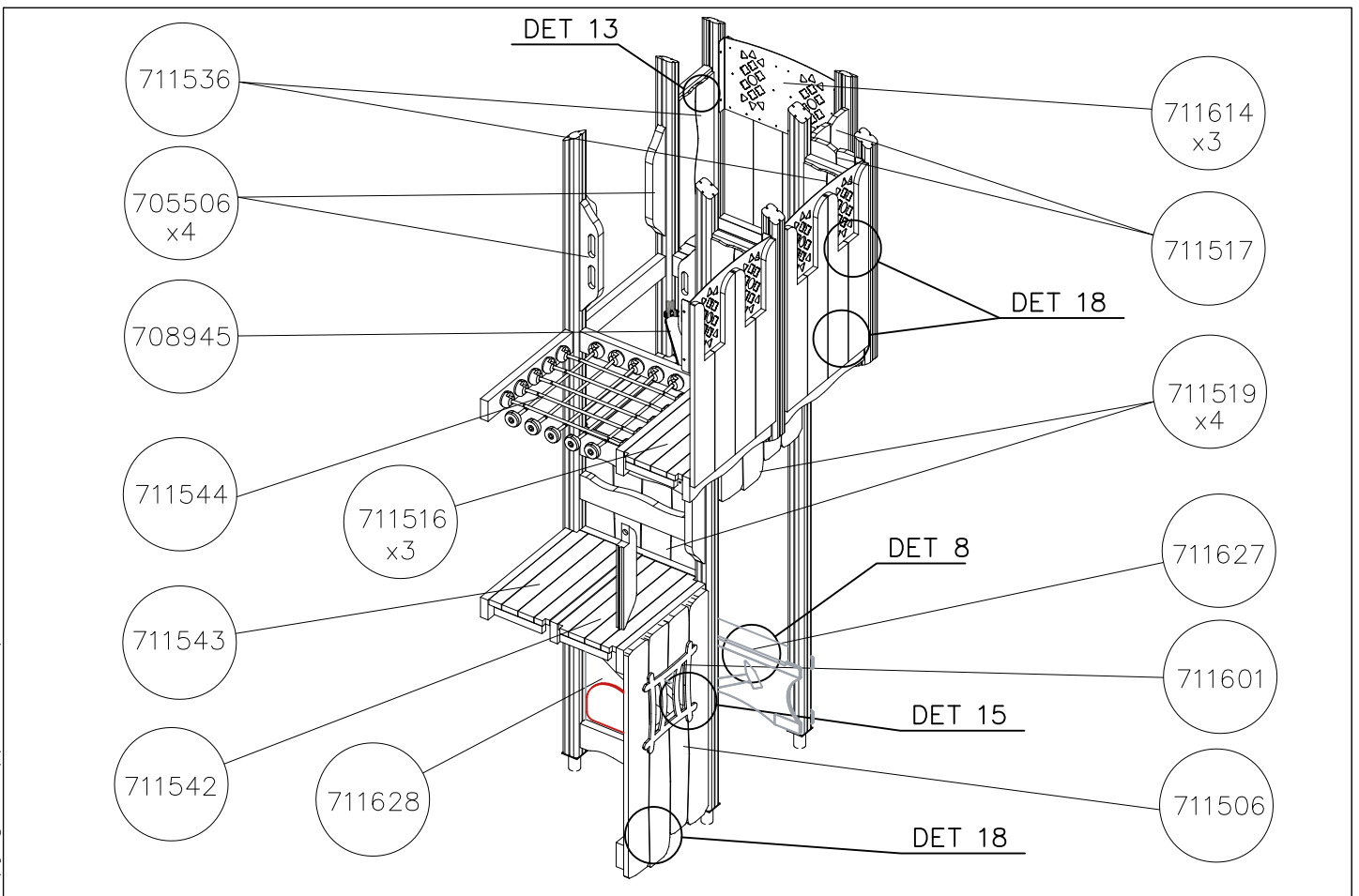
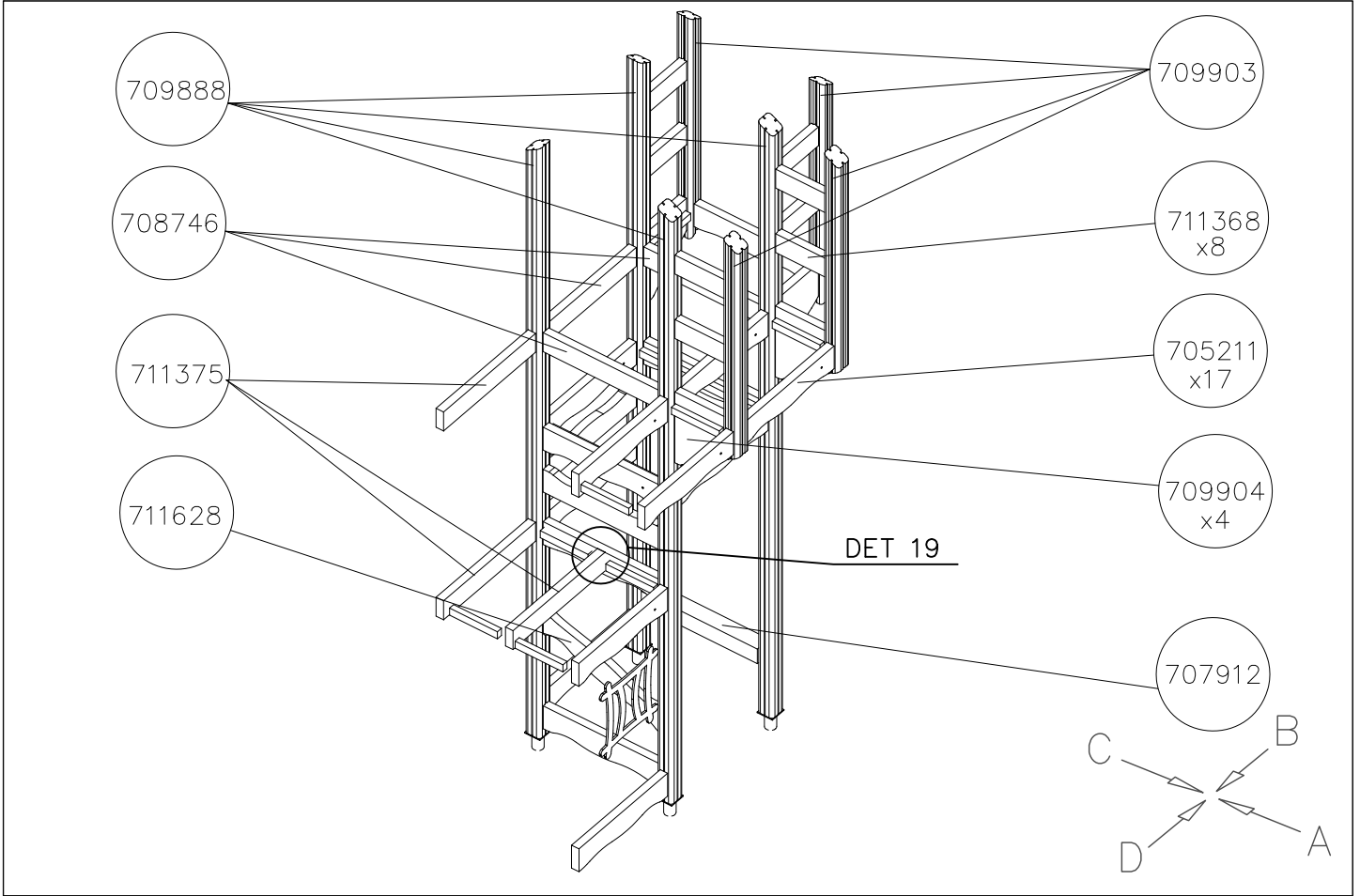




DATE: 21.5.2024

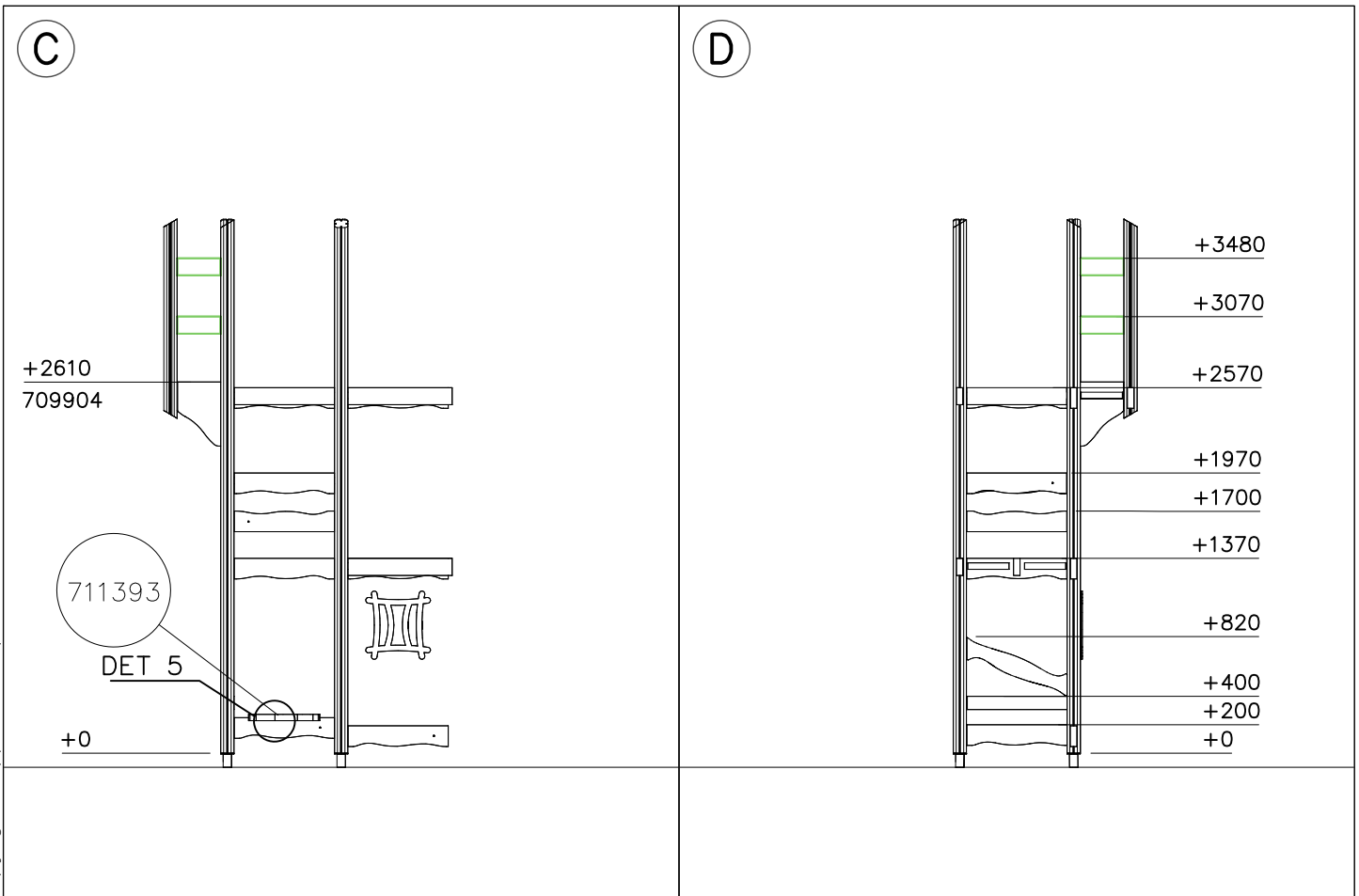
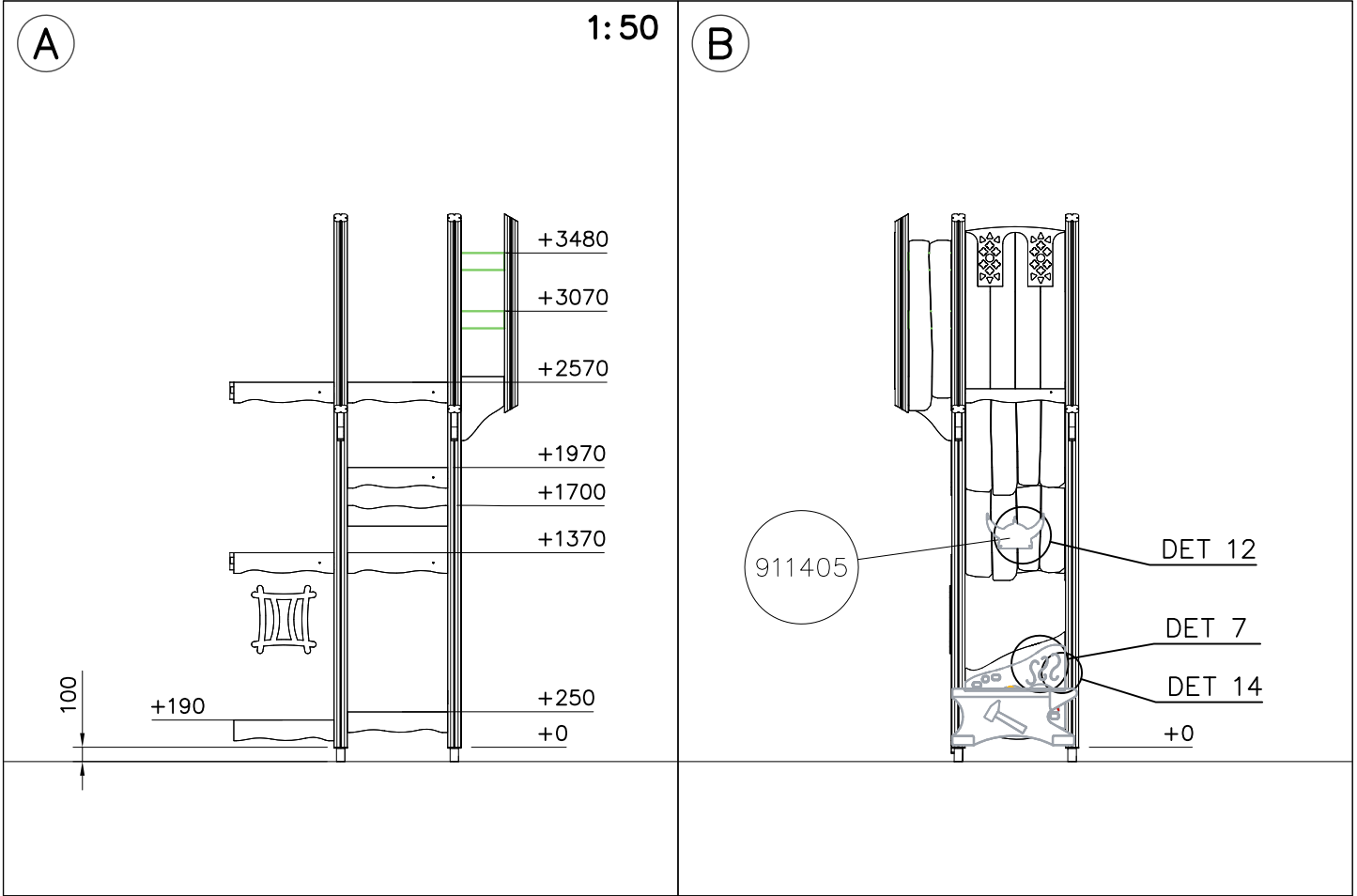
1:50



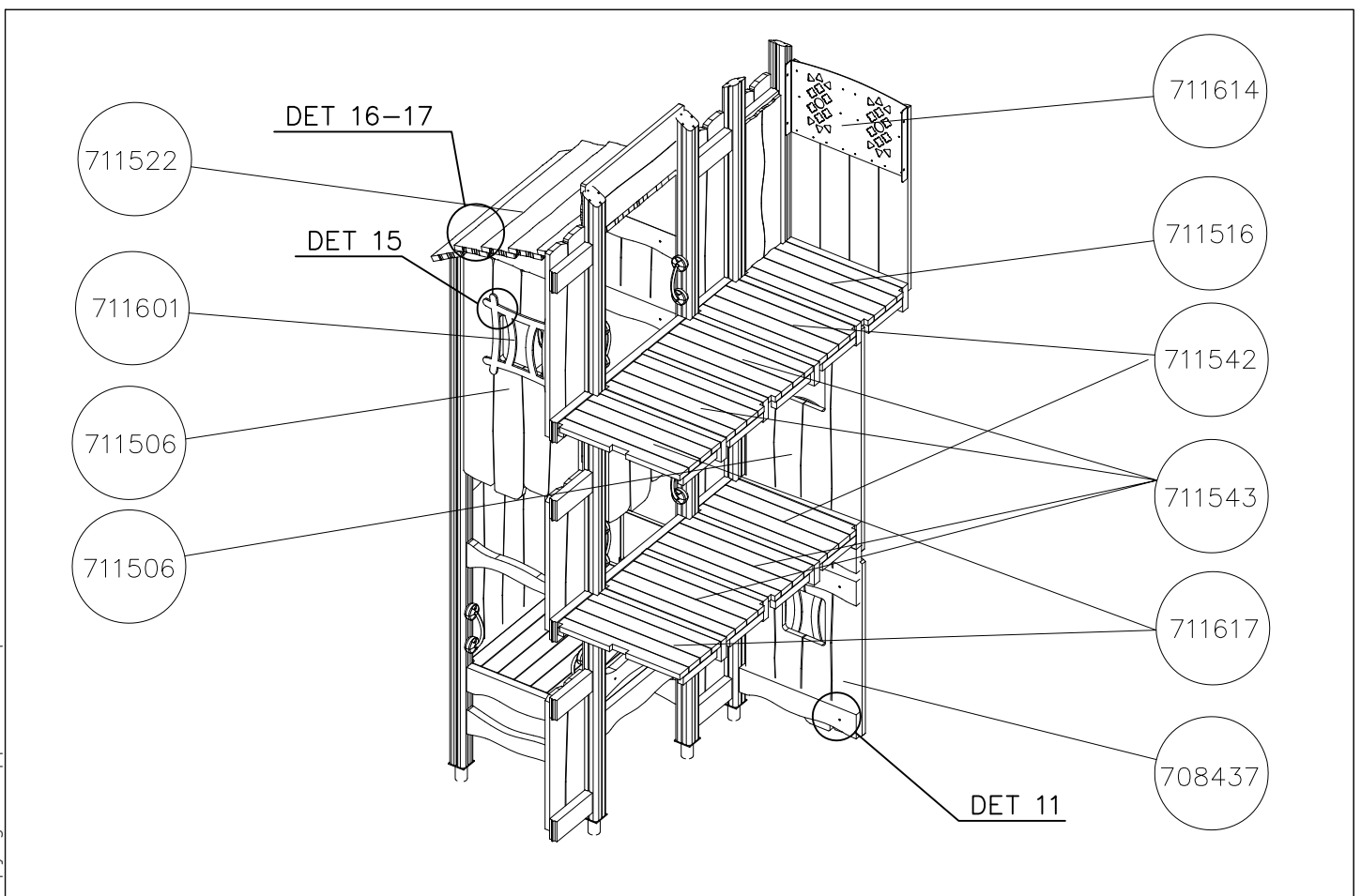
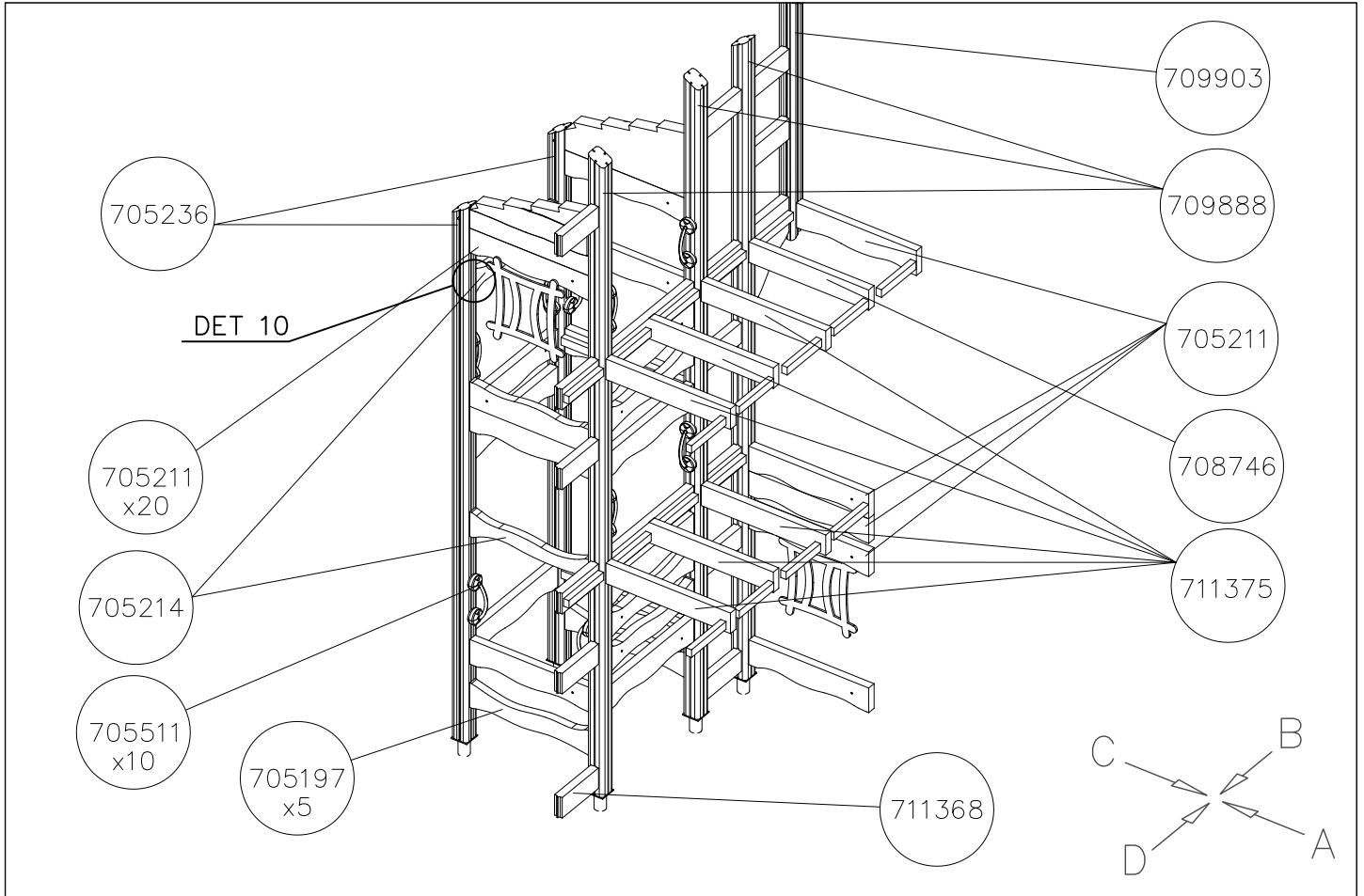


DATE: 21.5.2024

1:50

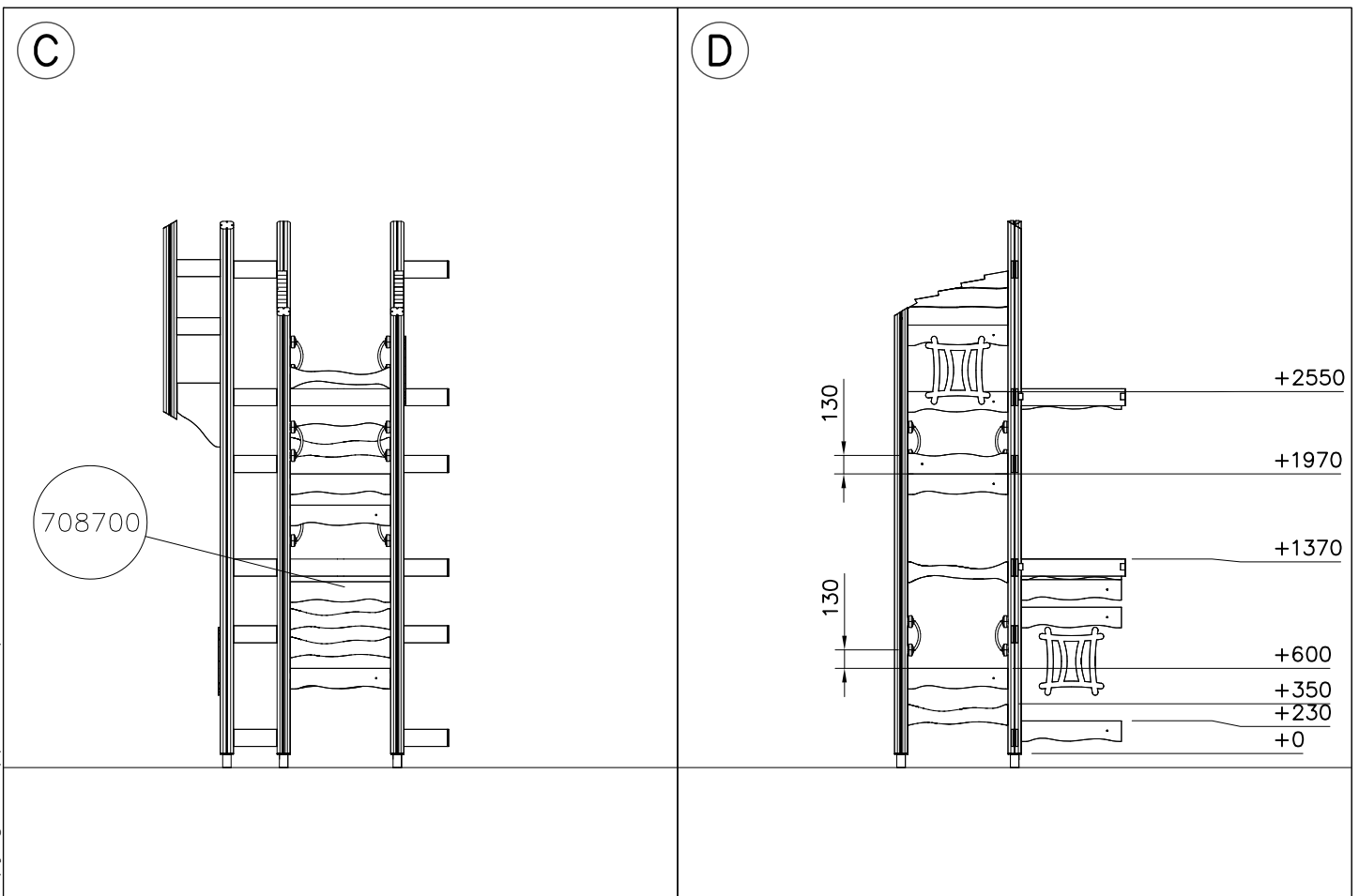
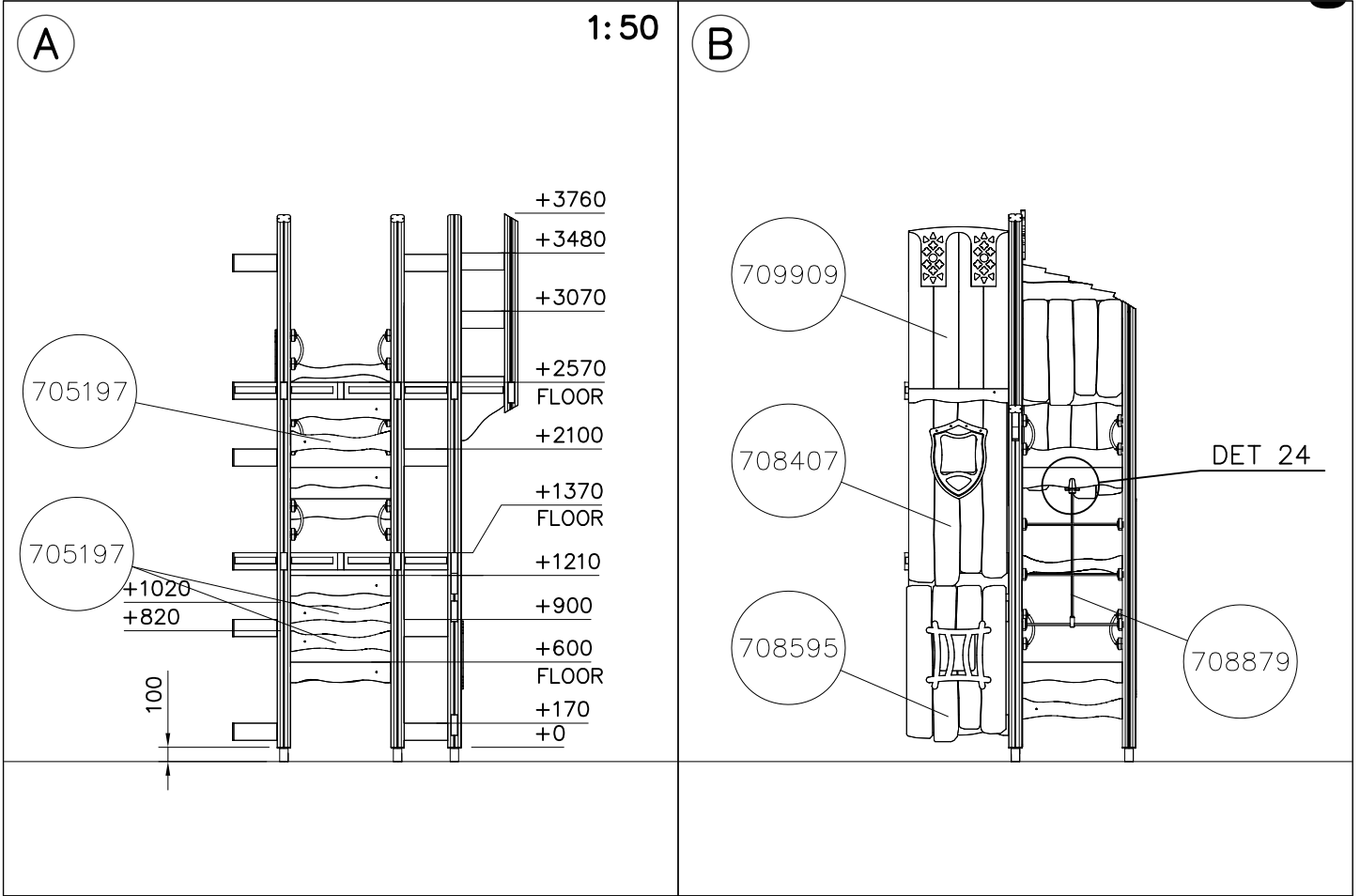


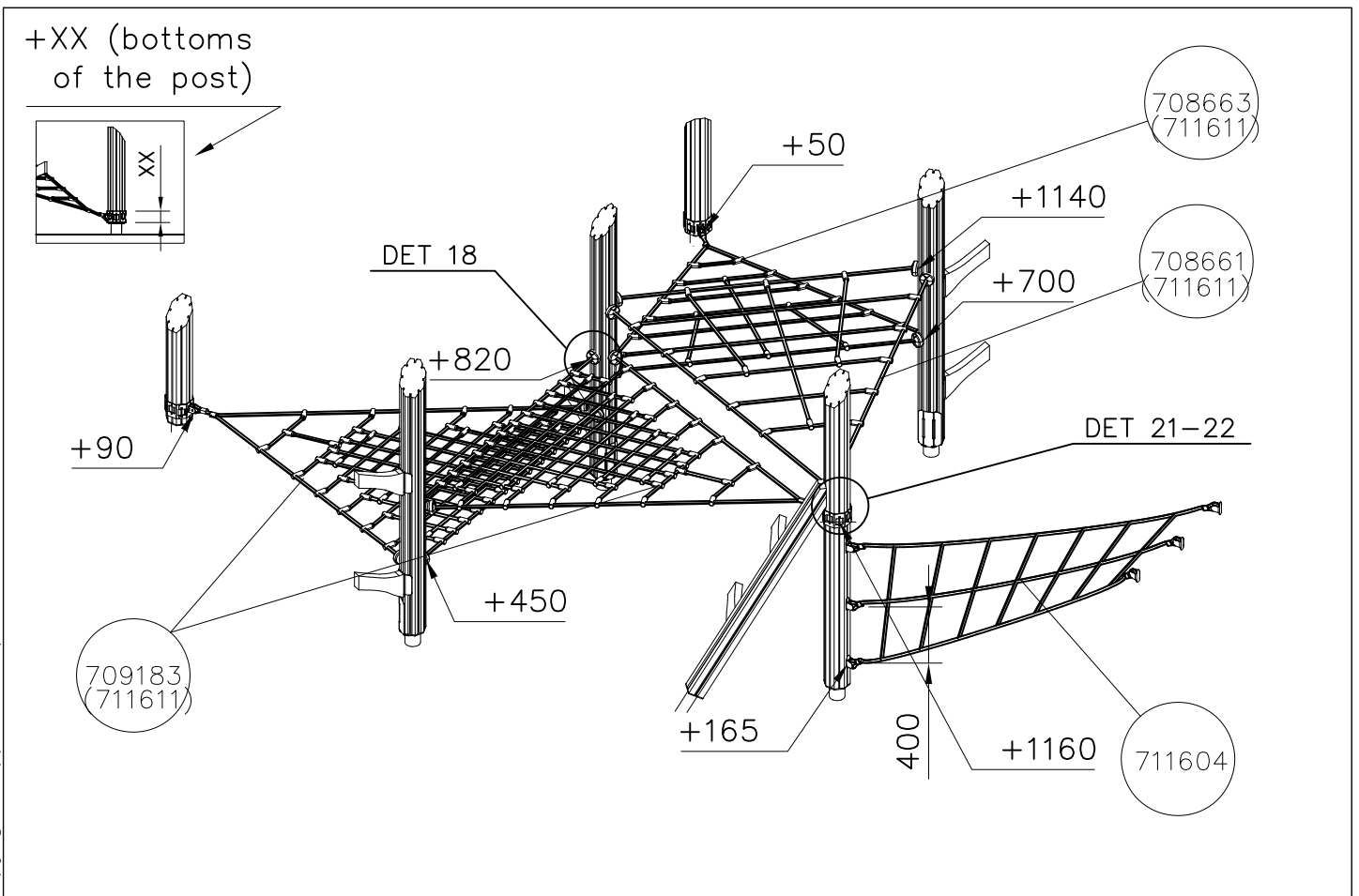
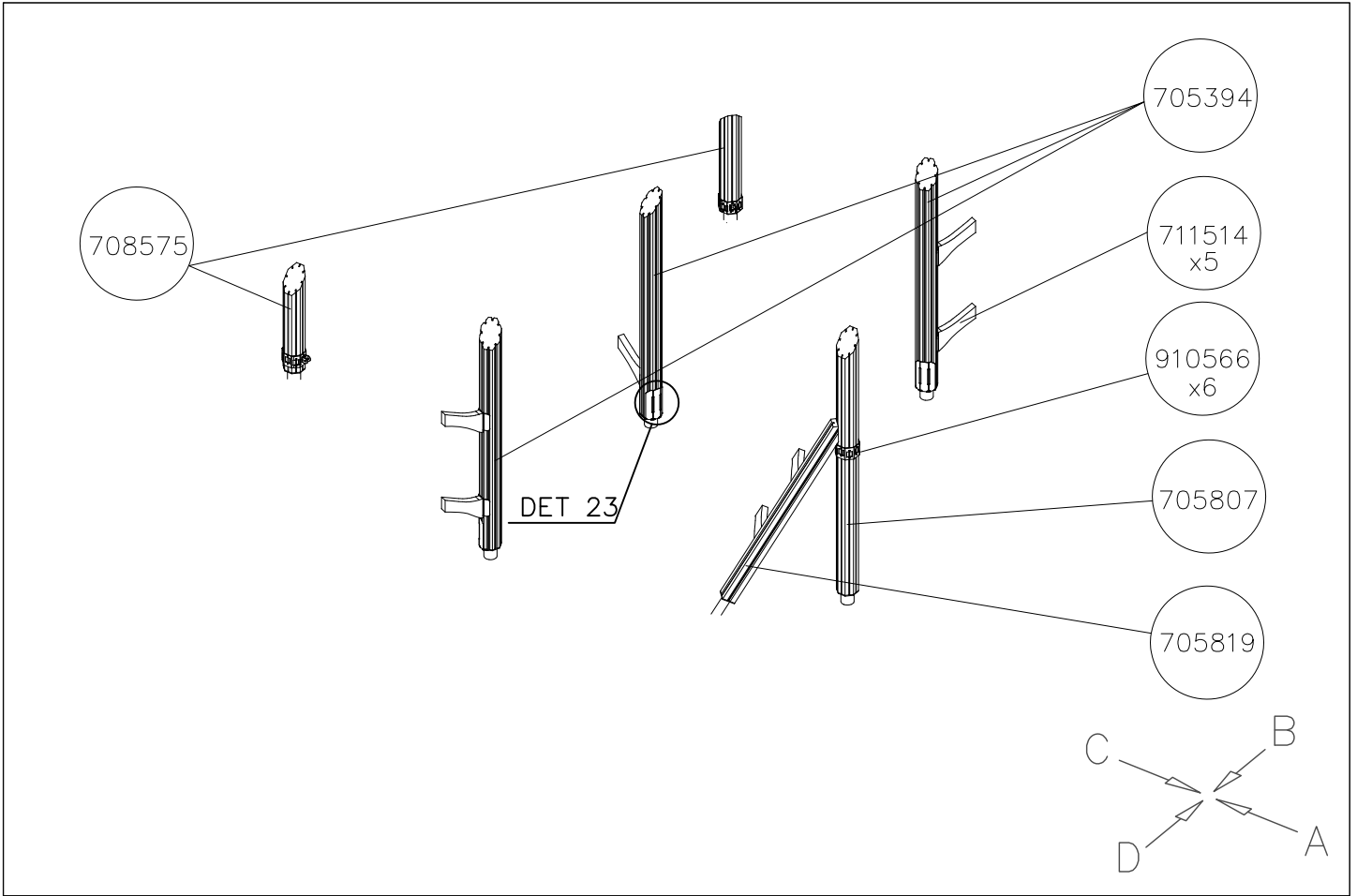




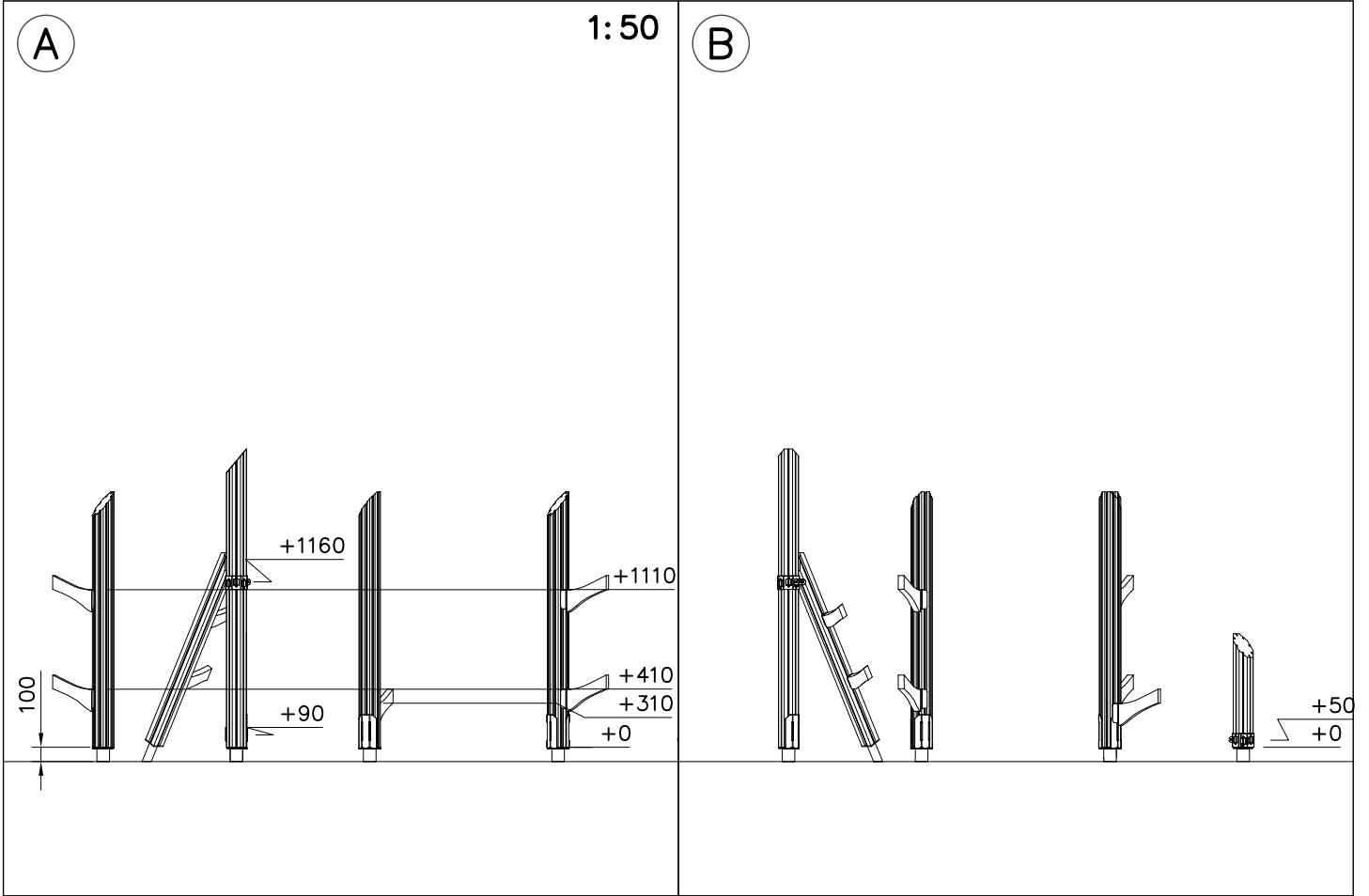
DATE: 21.5.2024

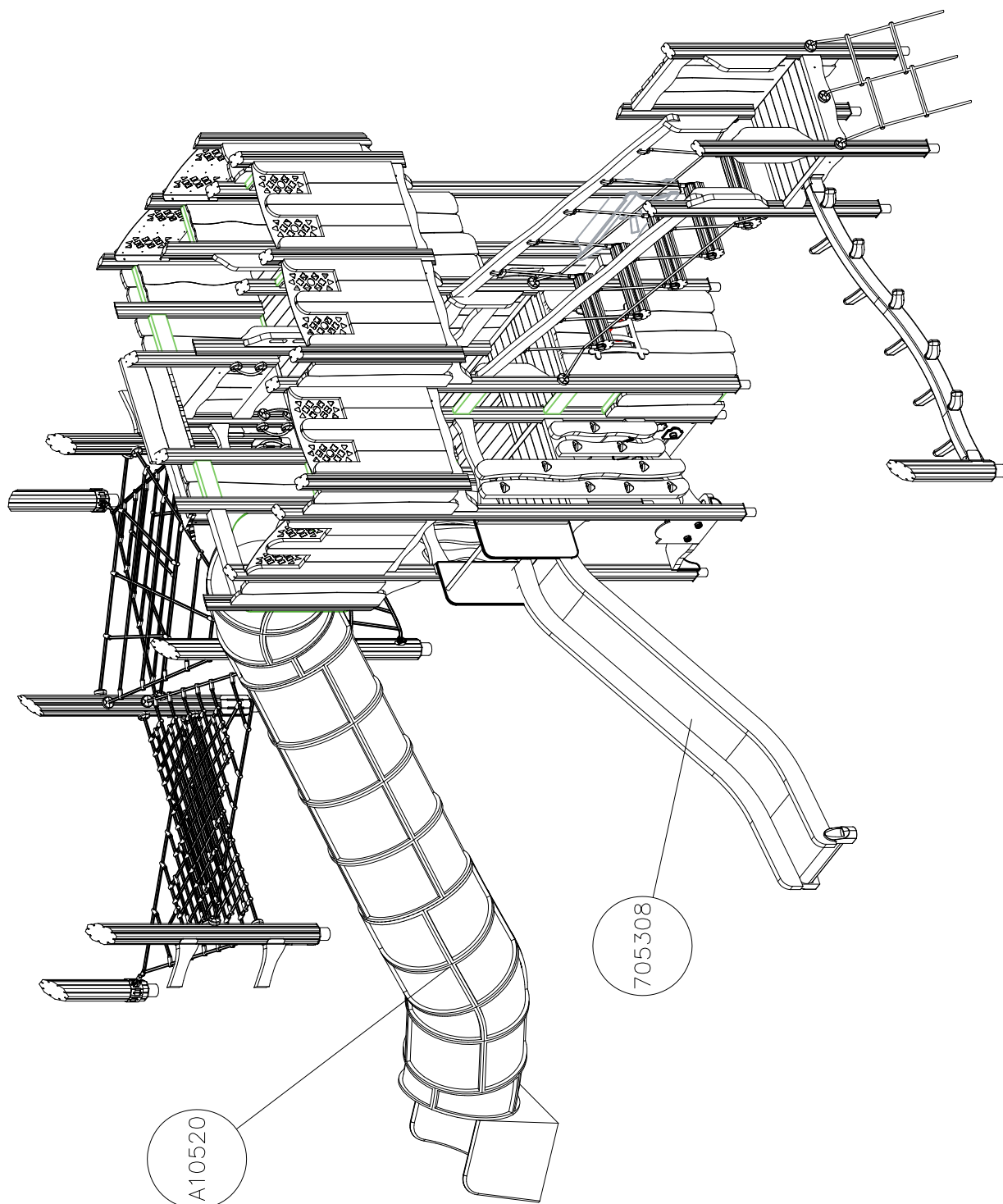
1:50



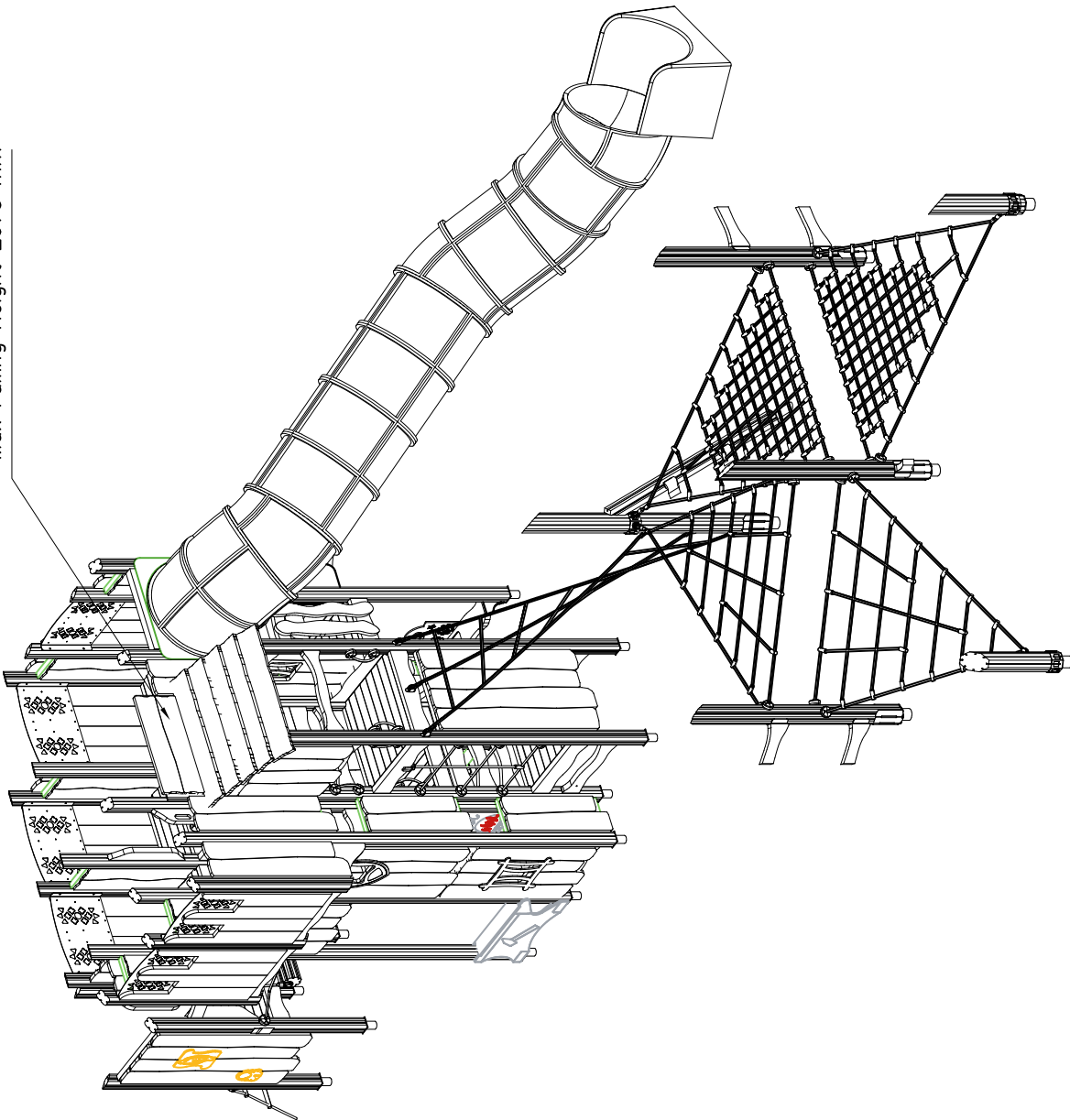


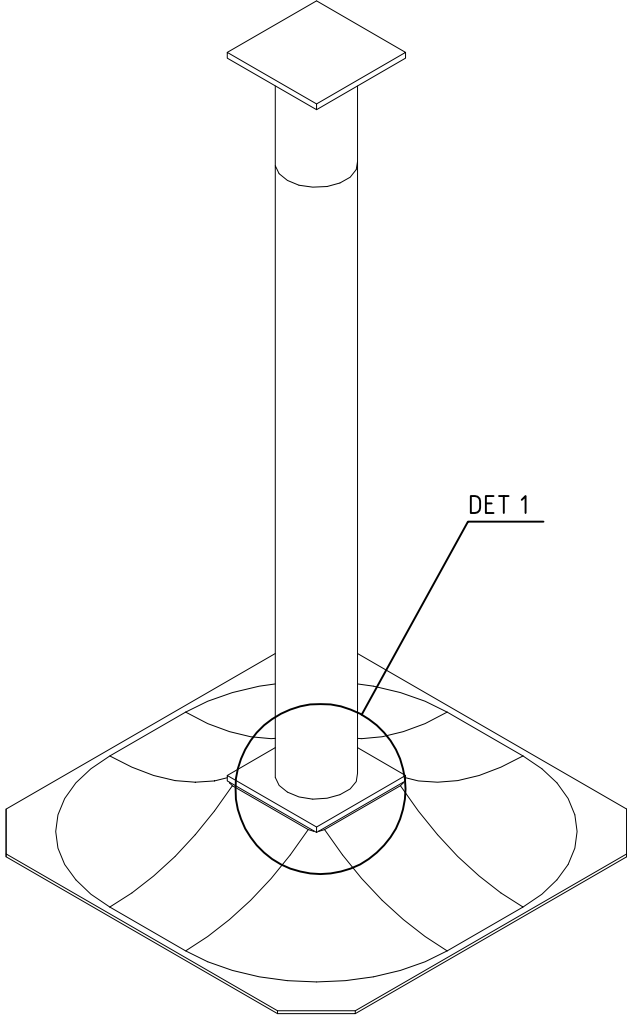
DATE: 21.5.2024





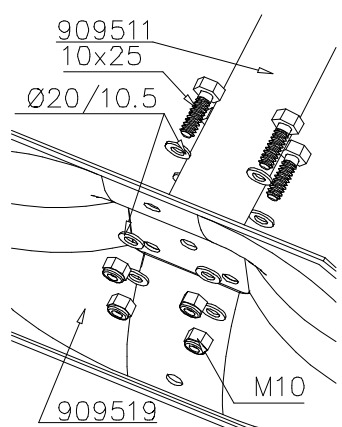
Max Falling Height 2670 mm





①	909511	PCS	②	909519	PCS
		1			1
③	909637	PCS	④	909638	PCS
		4			8
	M10			Ø20/10.5	
⑤	909639	PCS			PCS
		4			
	M10x25				
		PCS			PCS
		PCS			PCS
		PCS			PCS
		PCS			PCS
		PCS			PCS

DET 1



**LAPPSET®**  
**DEEP FOUNDATION**

**FOOT**

DATE: 13.3.2014

**4A**



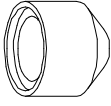


# LAPPSET® BETON FOUNDATION

# FOOT

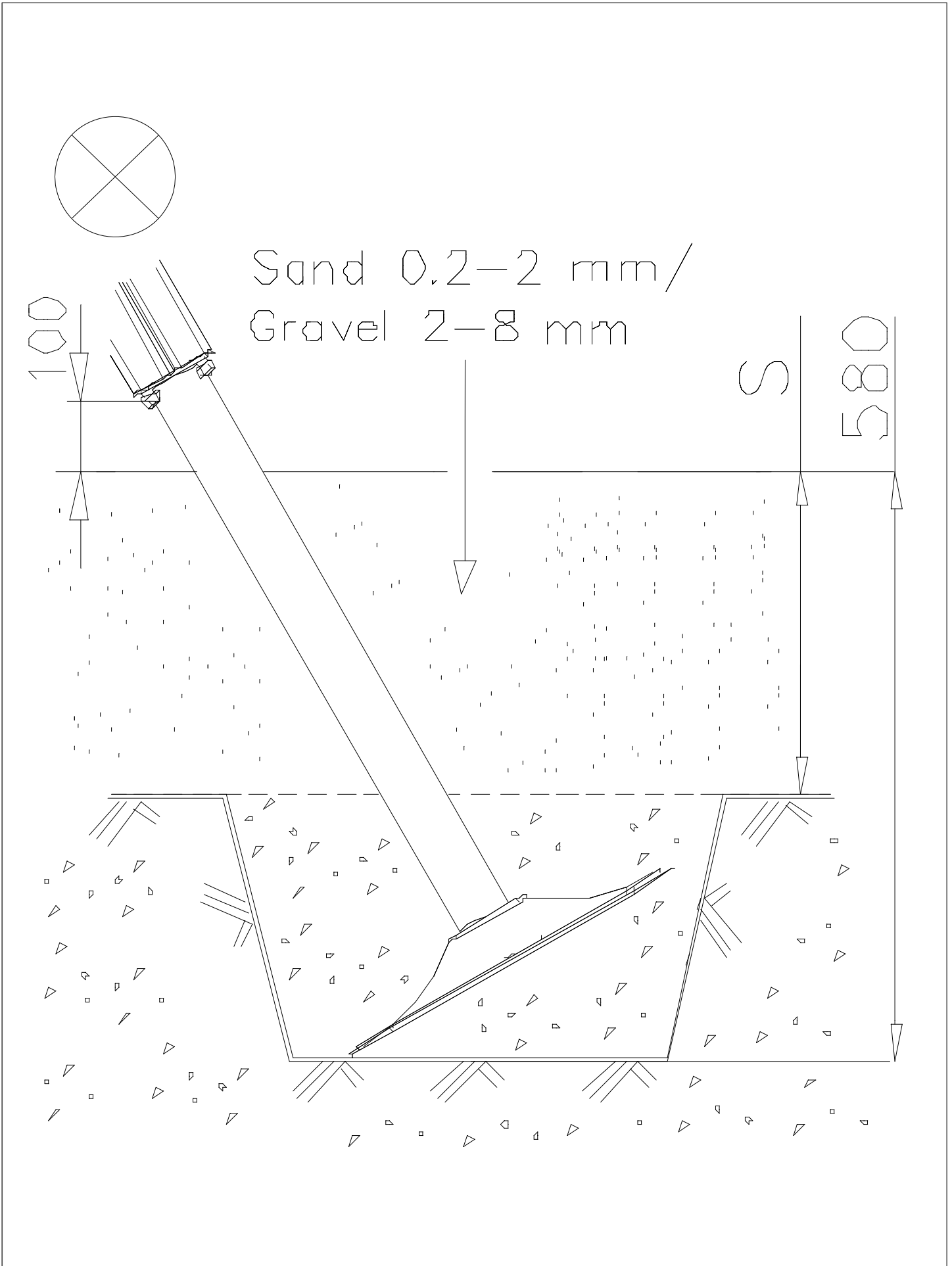
DATE: 27.10.2015

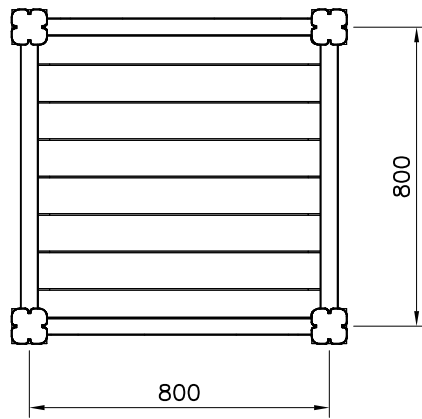
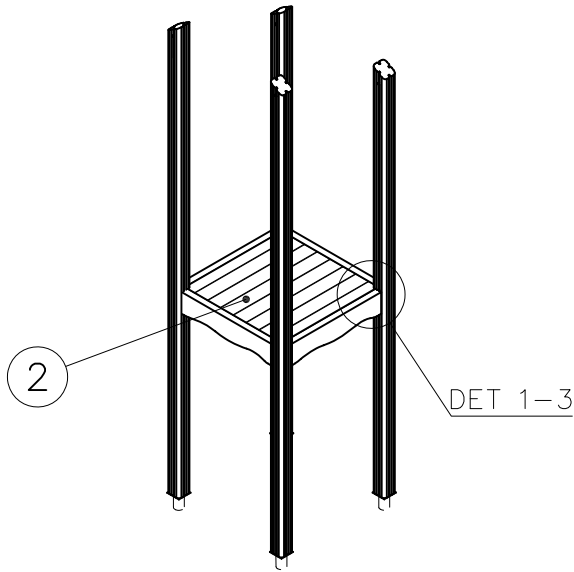
1(1)

② 905104	PCS		PCS
	4		
 M10	PCS		PCS



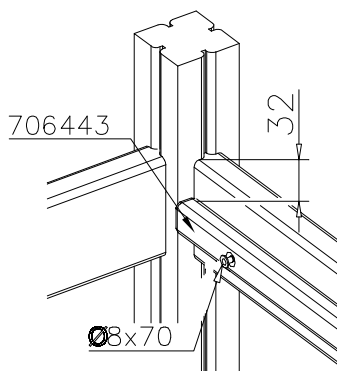
905104





① 706443	PCS	② 705257	PCS
	2		1
32x45x702		32x750x750	
③ 900240	PCS	④ 980101	PCS
	6		8
Ø8x70		Ø4.5x70	
	PCS		PCS
	PCS		PCS

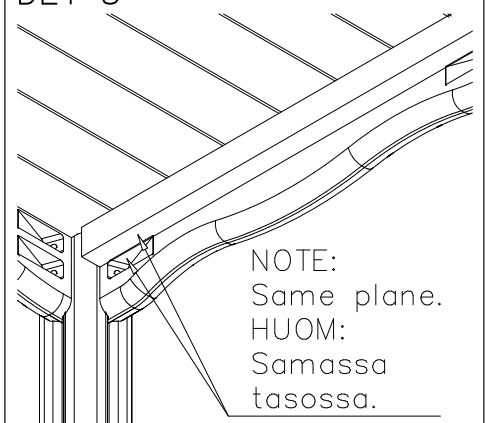
DET 1

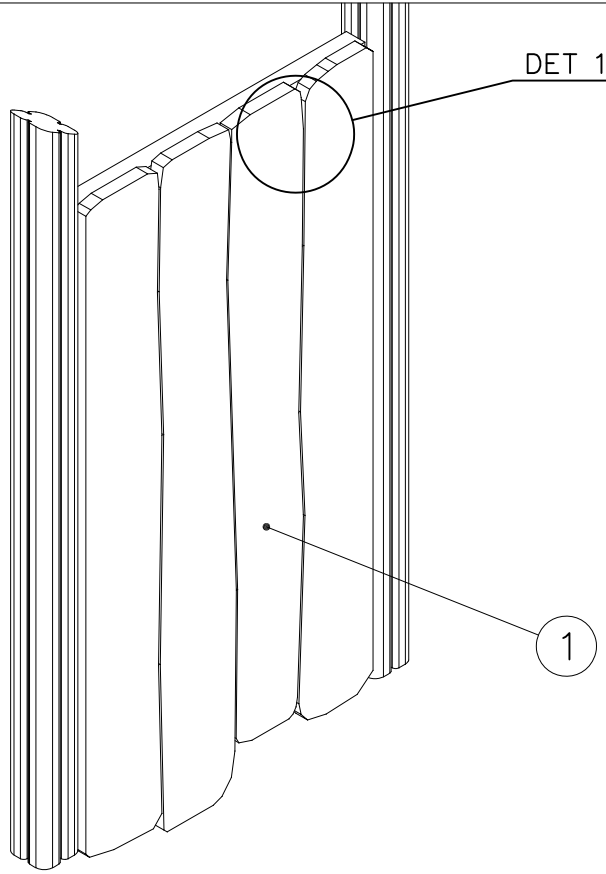


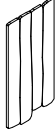
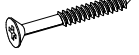
DET 2



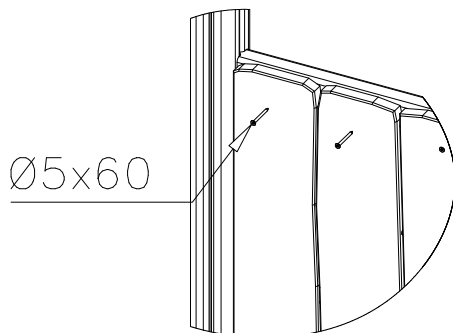
DET 3



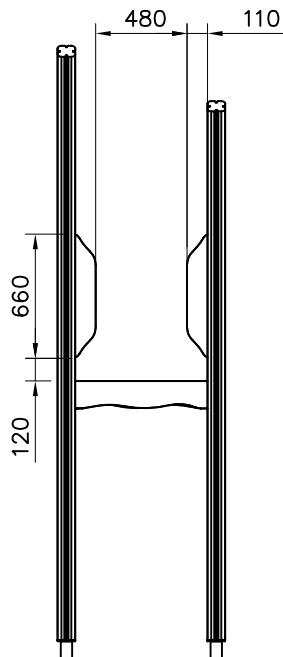
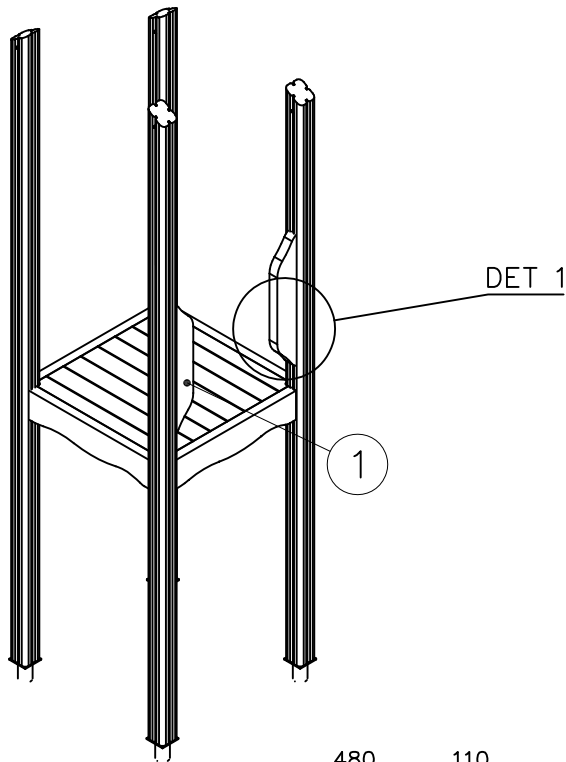



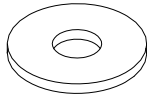

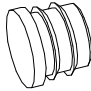
① 708700	PCS	② 980100	PCS
	1		24
700x1400		Ø5x60	
	PCS		PCS
	PCS		PCS
	PCS		PCS
	PCS		PCS

DET 1

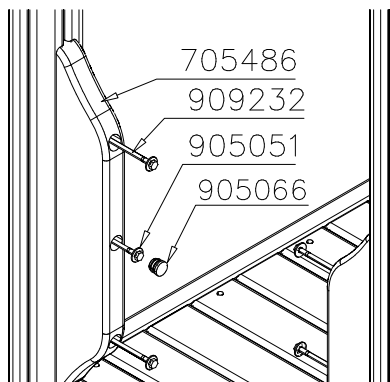


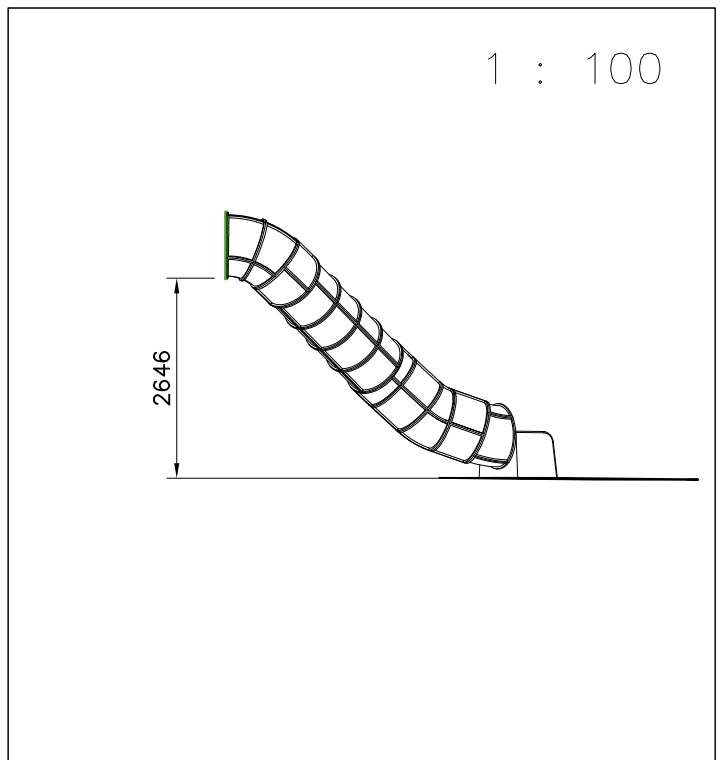
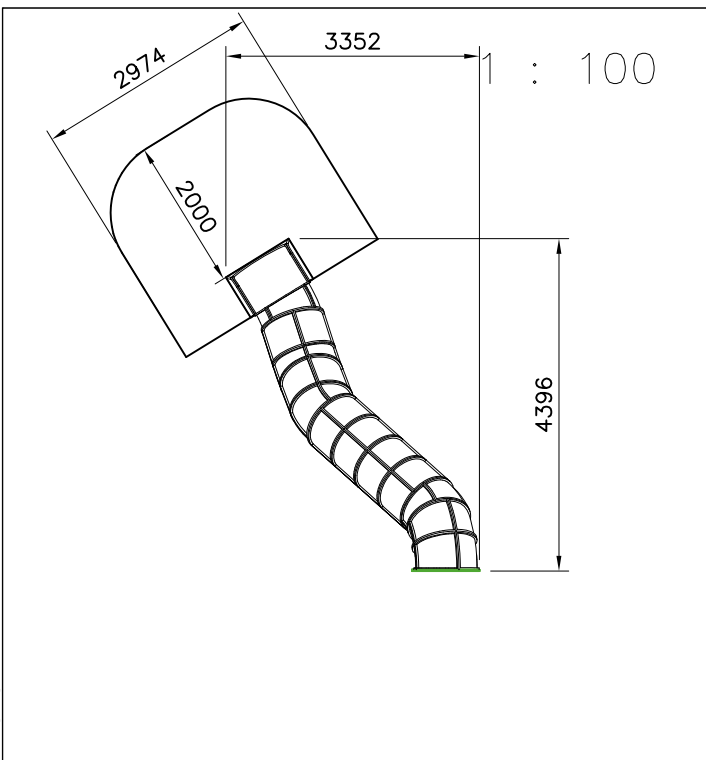
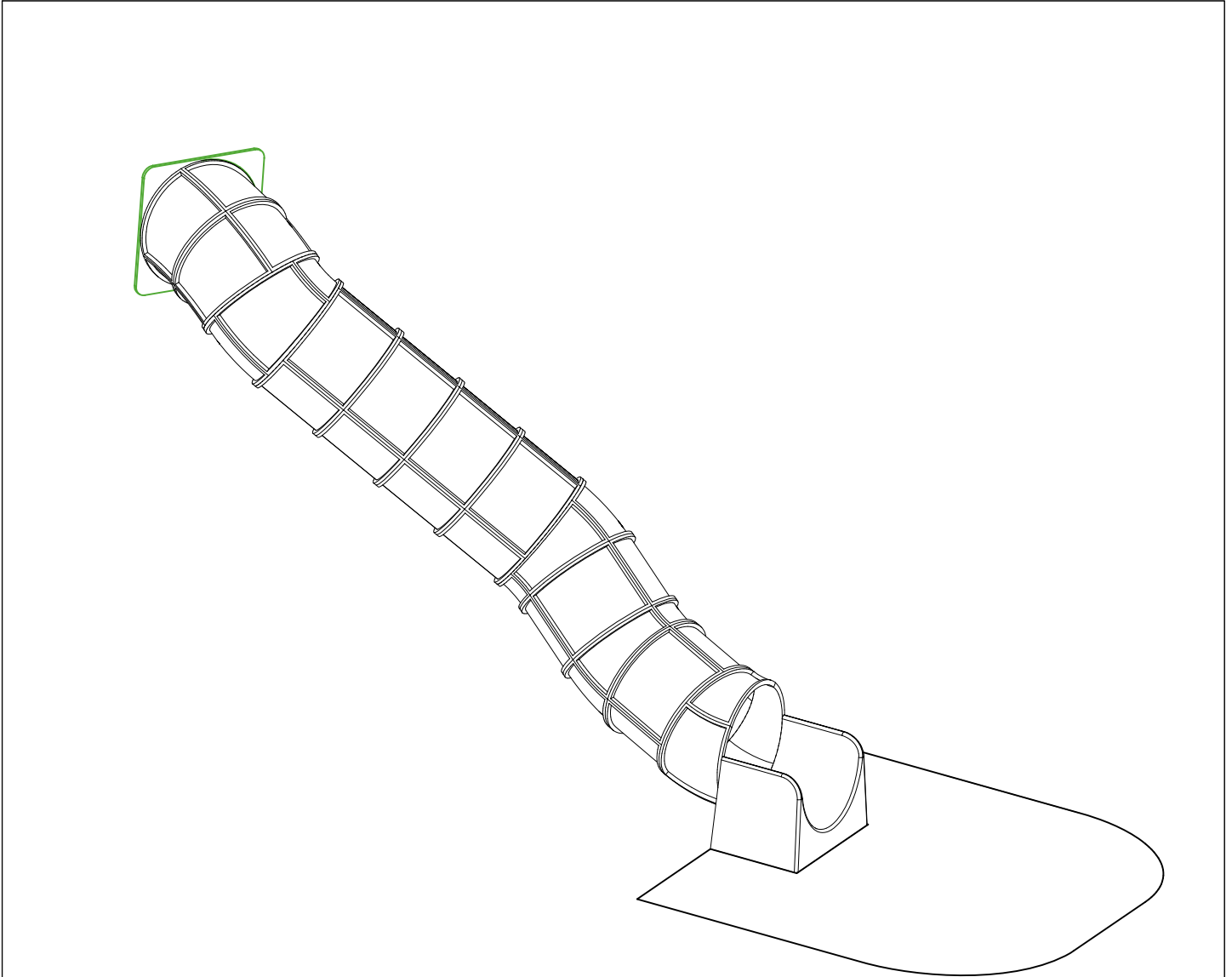
Ø5x60

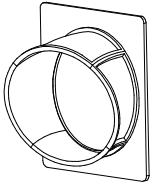
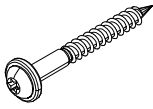
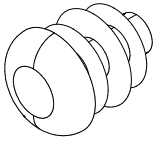

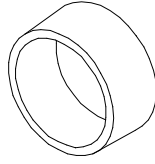
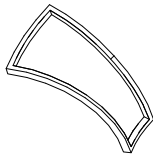
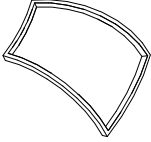
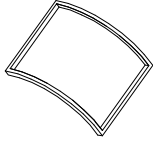
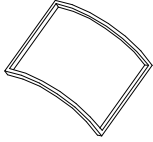

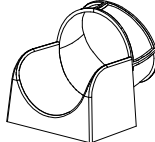

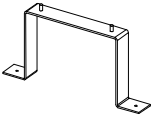



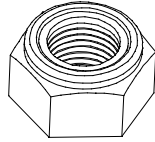
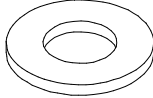


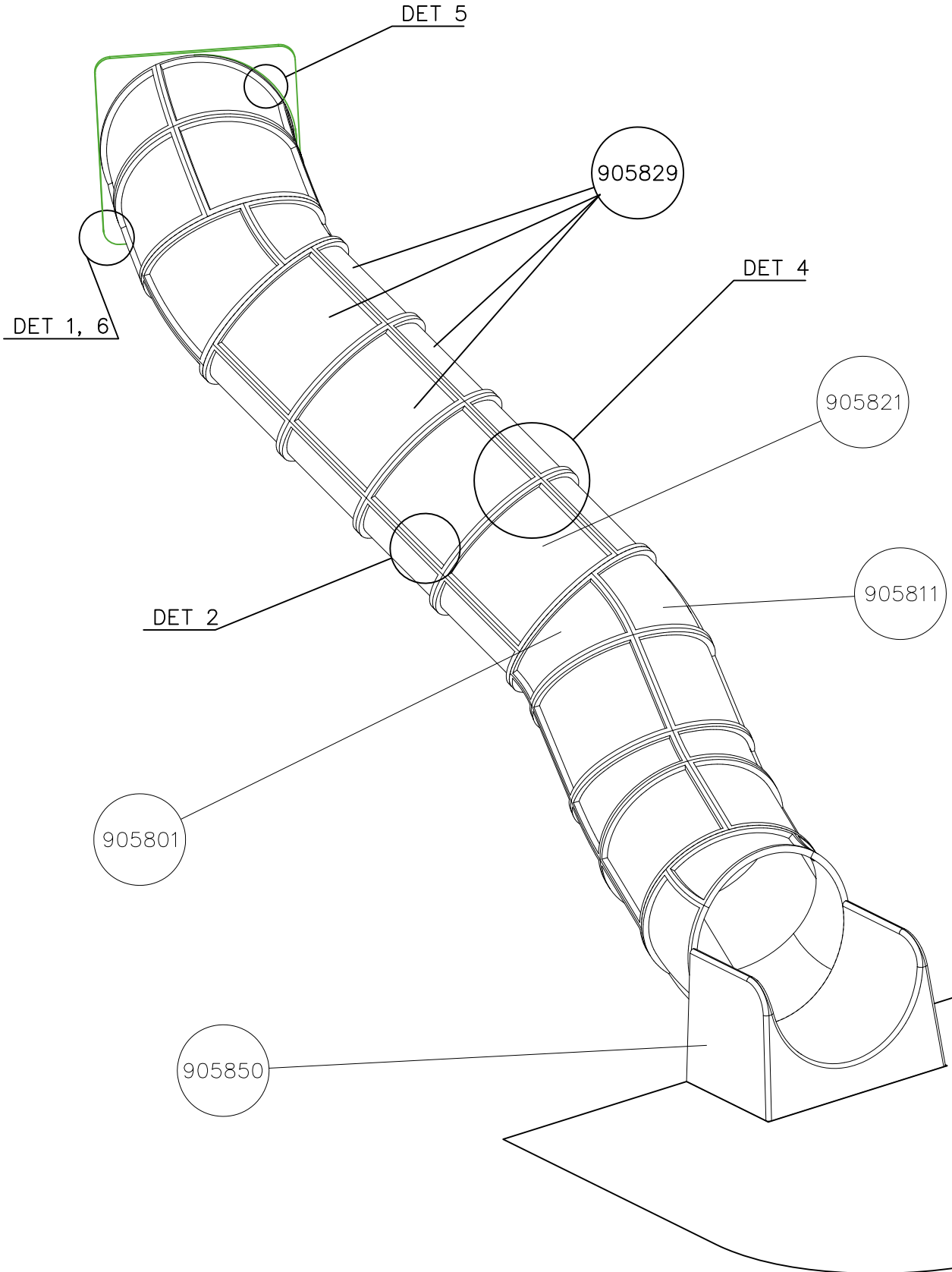
① 705486	PCS	② 905051	PCS
	2		6
45x120x660		Ø24/8.4	
③ 909232	PCS	④ 905066	PCS
	6		6
8x120		S30H	
	PCS		PCS
	PCS		PCS
	PCS		PCS
	PCS		PCS

DET 1

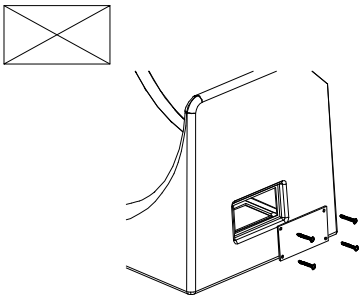
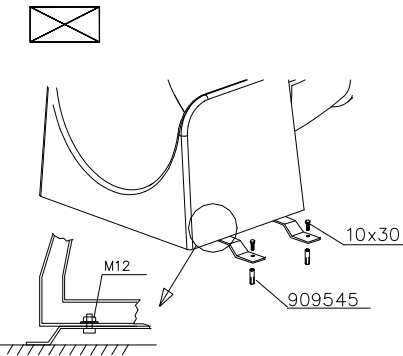
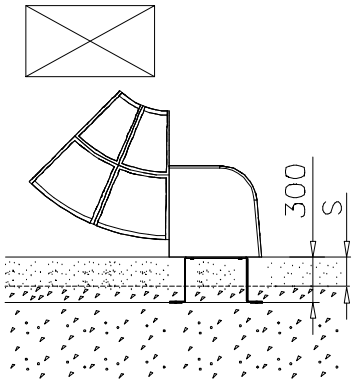
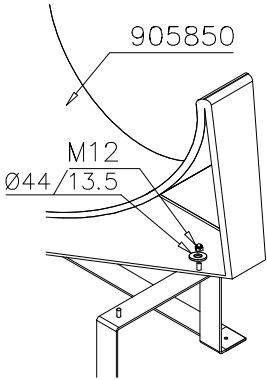
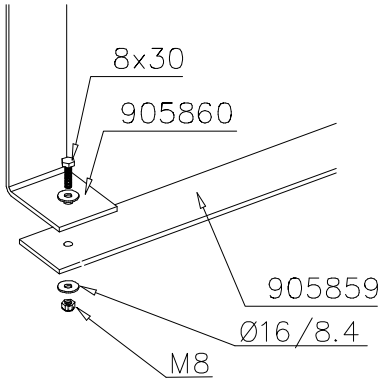
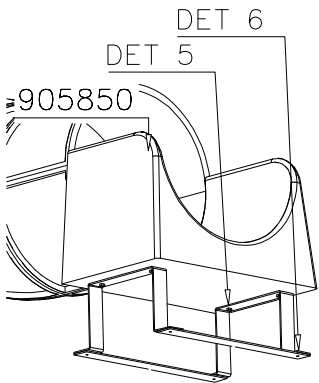


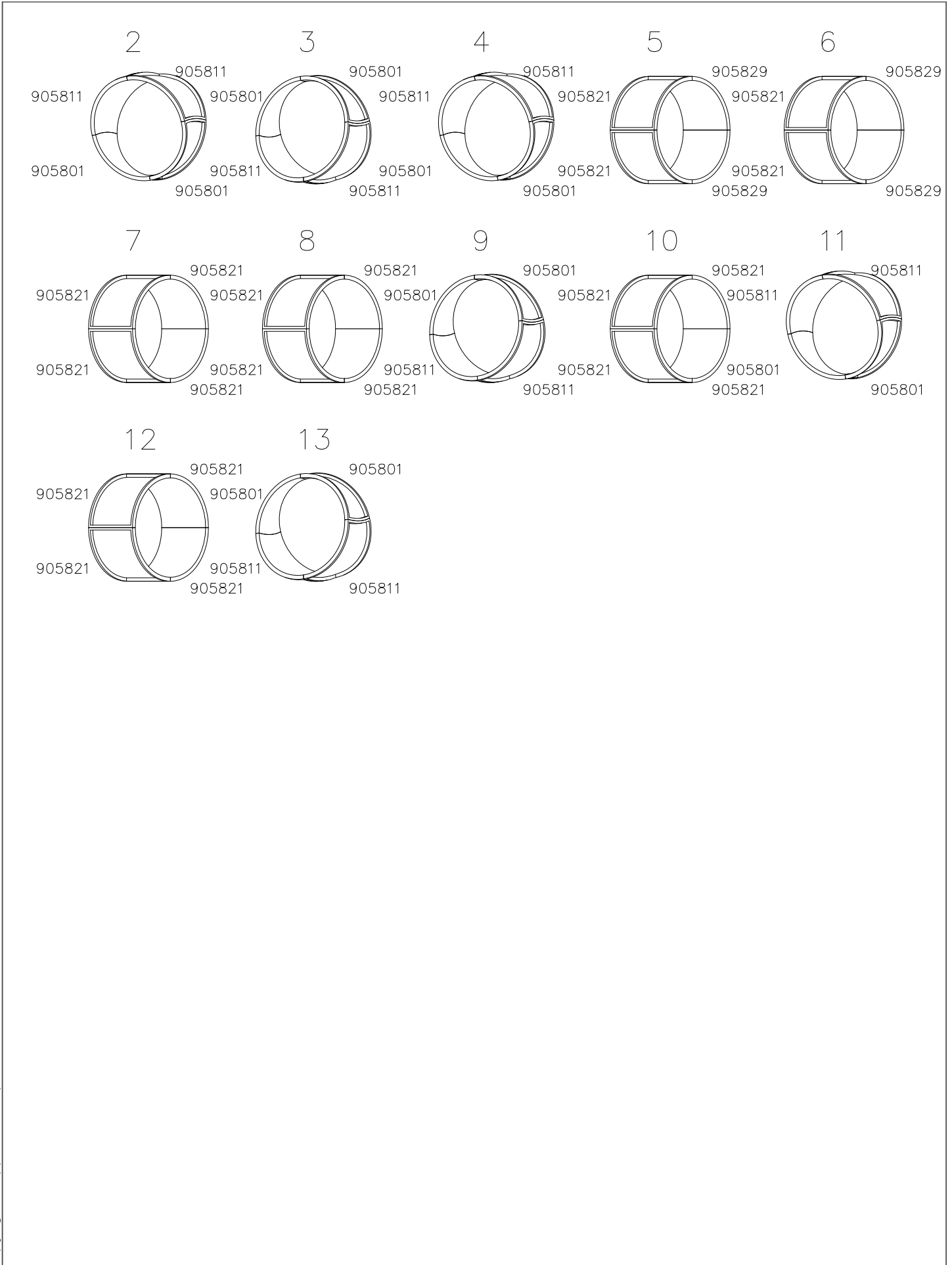


707918-707	PCS 1	900240	PCS 14	903533	PCS 6	905086	PCS 4	905112	PCS 624	905801	PCS 8
											
		Ø8x70		SRL12		Ø44/13.5		BLACK Ø22		GREY	
905811	PCS 8	905821	PCS 20	905829	PCS 4	905831	PCS 560	905850	PCS 1	905859	PCS 2
											
GREY		GREY		TRANSPARENT		BLACK				6x80x850	
905860	PCS 2	909205	PCS 280	909248	PCS 4	909274	PCS 4	980150	PCS 284	980151	PCS 8
											
		8x60		M12		8x30		M8		Ø16/8.4	
	PCS		PCS		PCS		PCS		PCS		PCS
	PCS		PCS		PCS		PCS		PCS		PCS
	PCS		PCS		PCS		PCS		PCS		PCS





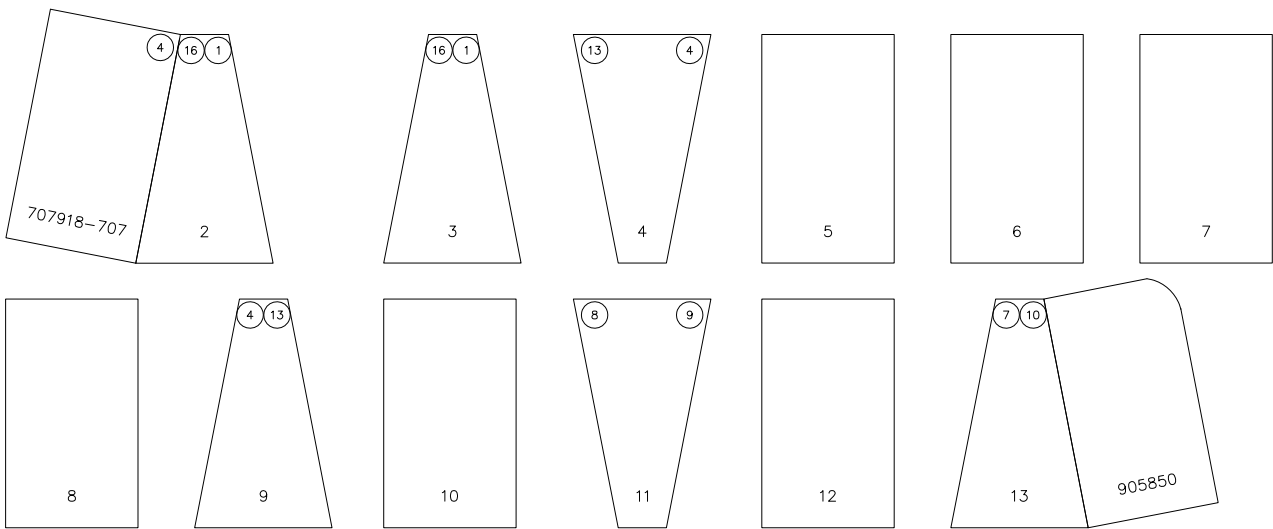
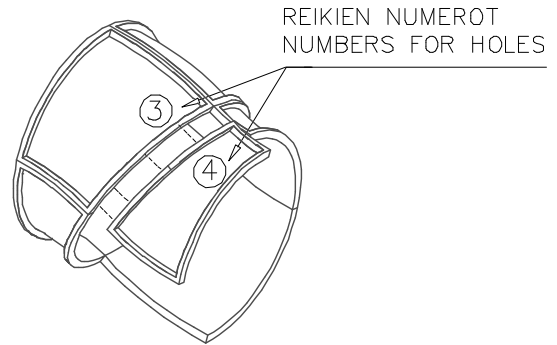
<p>905850</p>  <p>Access- and maintenance panel. Asennus- ja huolto luukku.</p>	<p>905850 SURFACE MOUNT</p> 	<p>905850</p> 
<p>905850</p> 	<p>905850</p> 	<p>905850</p> 



**Esimerkki putken kokoamisesta**  
**Example of installation**

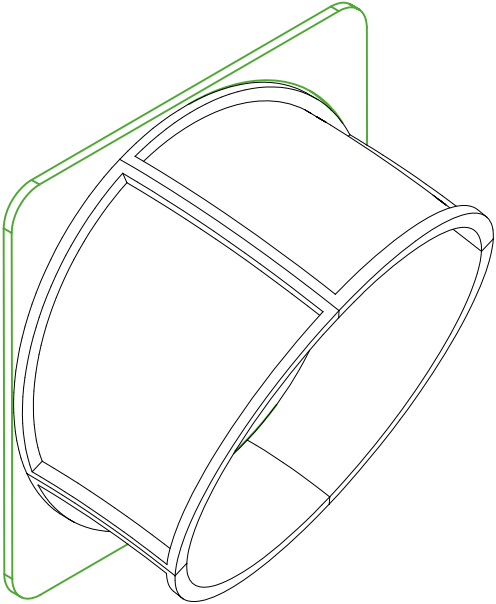
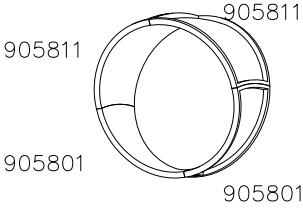
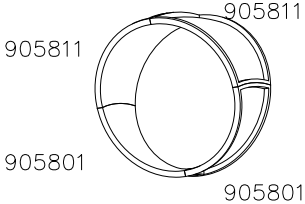
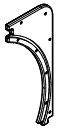






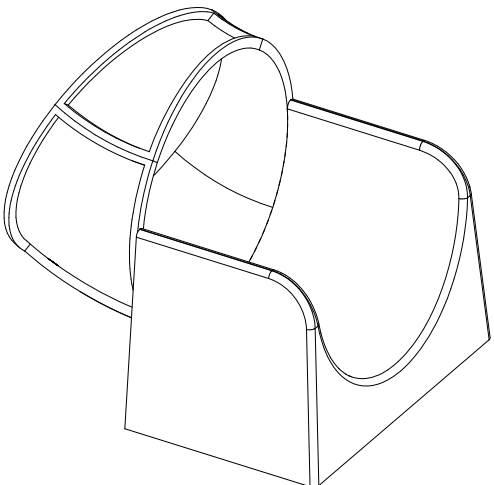

**LIUKUPINTAAN EI SAA TULLA**  
**LÄPINÄKYVIÄ MODUULEJA!!**

**NO TRANSPARENT PIECES ON**  
**SLIDING SURFACE!!**

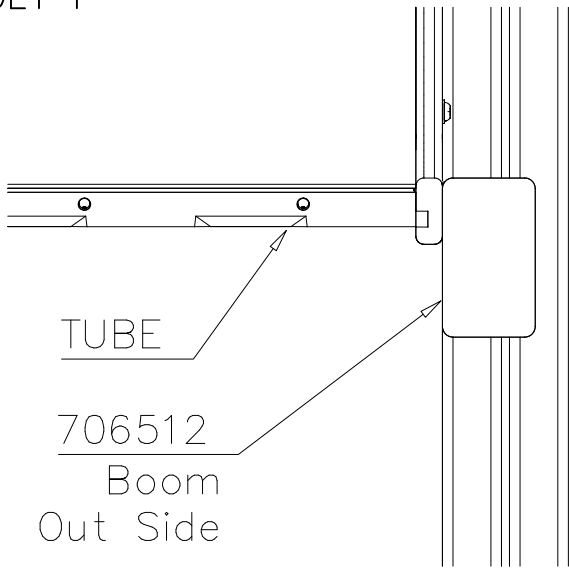


Valmiiksi kasattujen osien osakokoonpanot ja vara-osa listat.

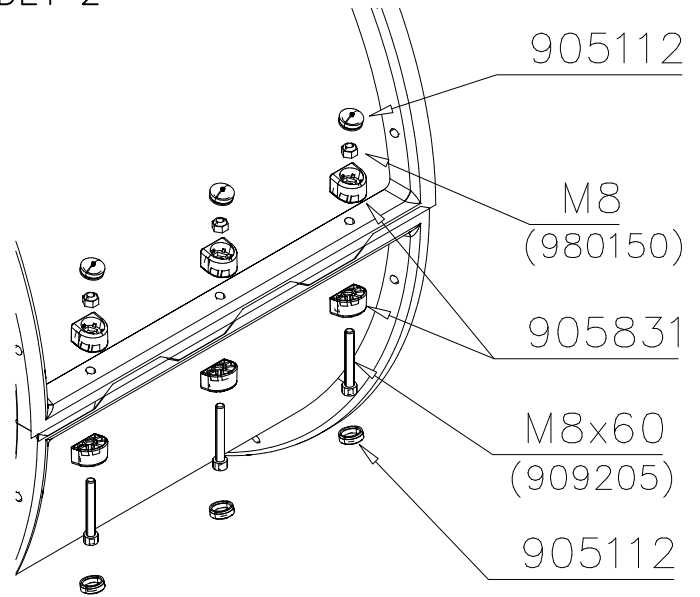
Ready installed component subassemblies and spare part list.

	<p>2</p> 								
<p>13</p>  <table border="1" data-bbox="172 1724 746 2101"> <tr> <td>909205 x 16 909206 x 8</td> <td>980150 x 16</td> <td>905831 x 32</td> </tr> <tr> <td>905850</td> <td>909208 x 8</td> <td>980151 x 8</td> </tr> </table> <p>Position of the box: 54 degrees</p>	909205 x 16 909206 x 8	980150 x 16	905831 x 32	905850	909208 x 8	980151 x 8	<p>707918-707</p> 	<p>909205 x 8</p> 	<p>980150 x 8</p> 
909205 x 16 909206 x 8	980150 x 16	905831 x 32							
905850	909208 x 8	980151 x 8							
<p>909252 x 13</p> 	<p>700413 x 1</p> 	<p>905831 x 32</p> 	<p>909208 x 16</p> 						
	<p>909119 x 16</p> 								

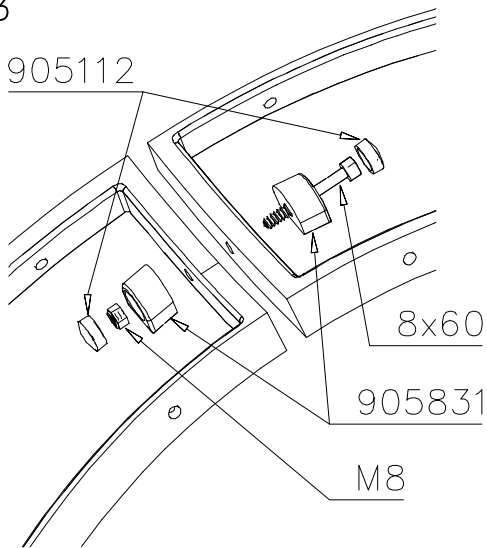
DET 1



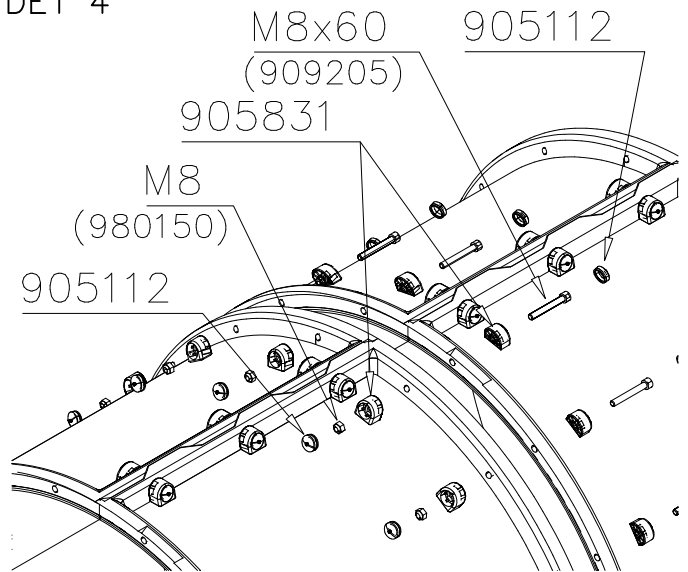
DET 2



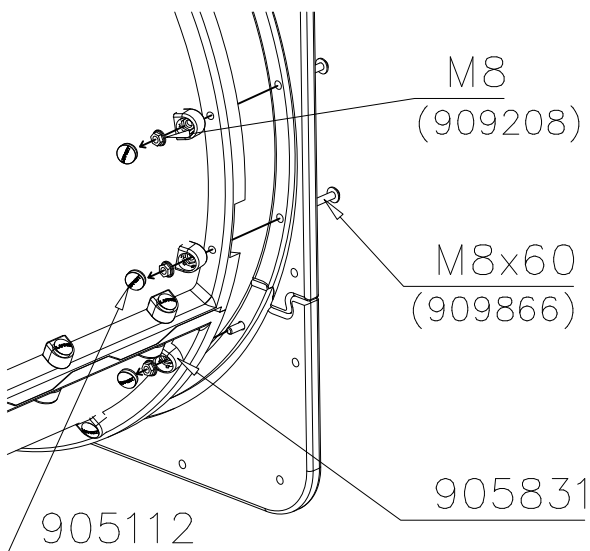
DET 3



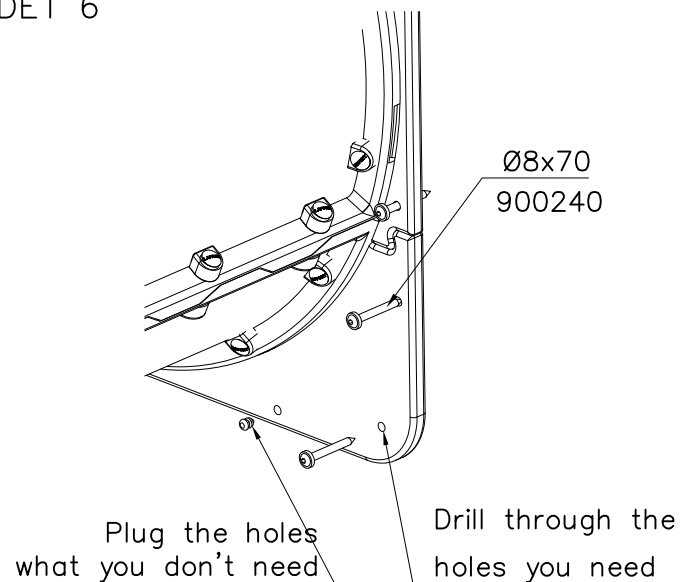
DET 4

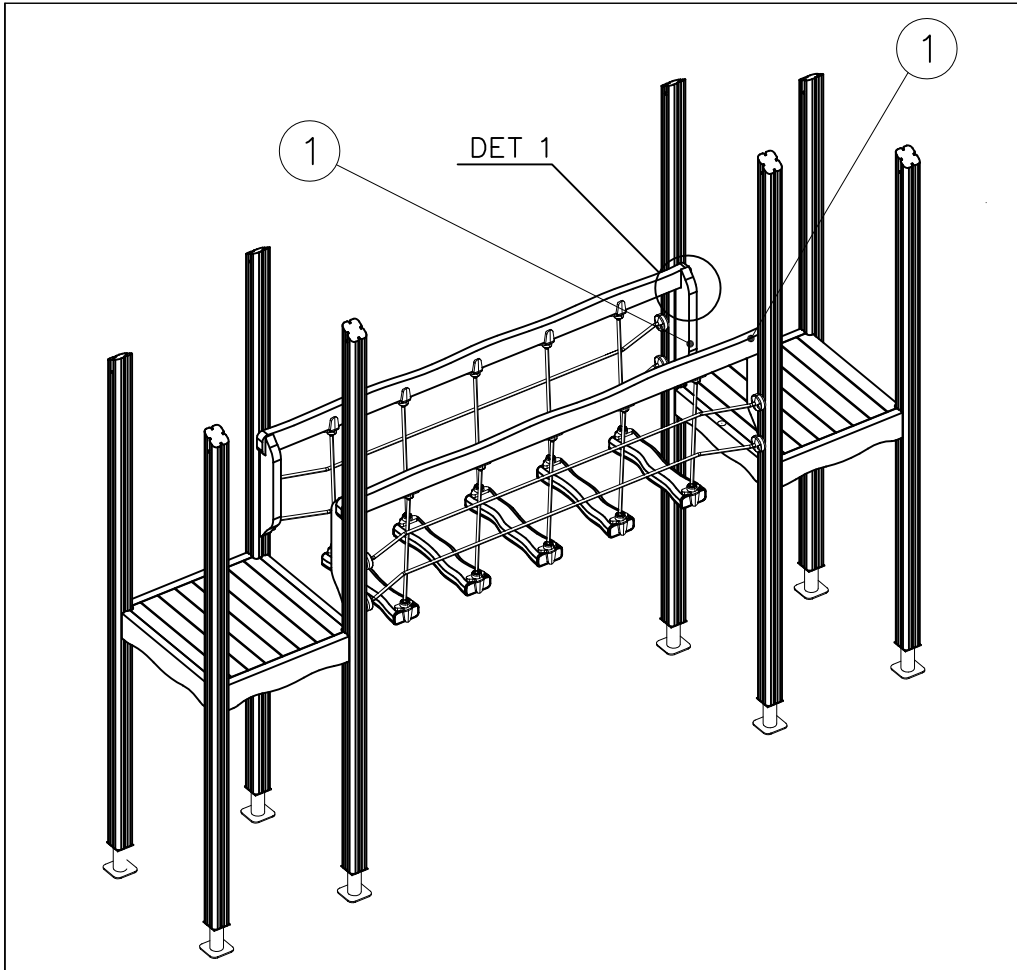


DET 5

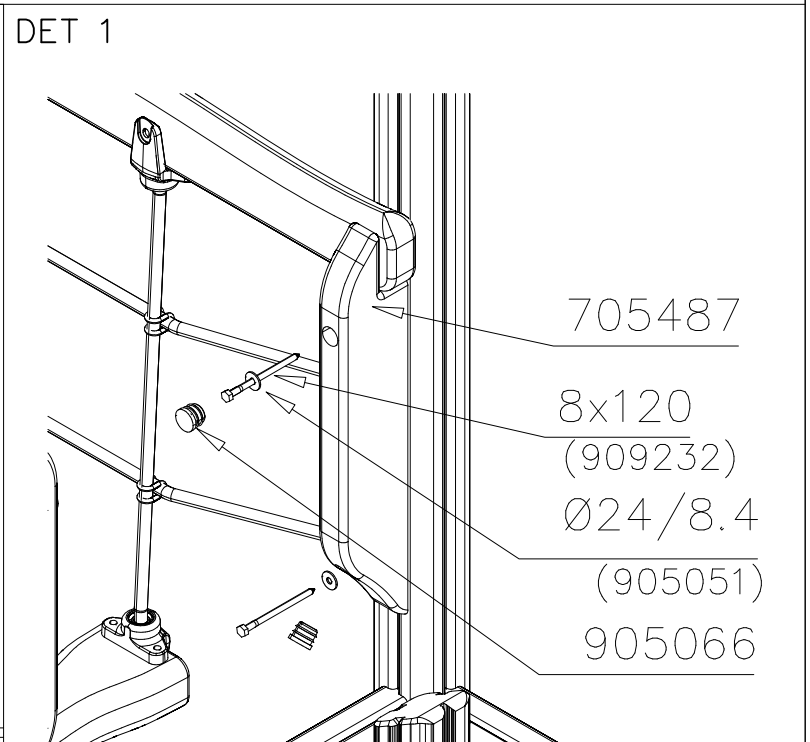
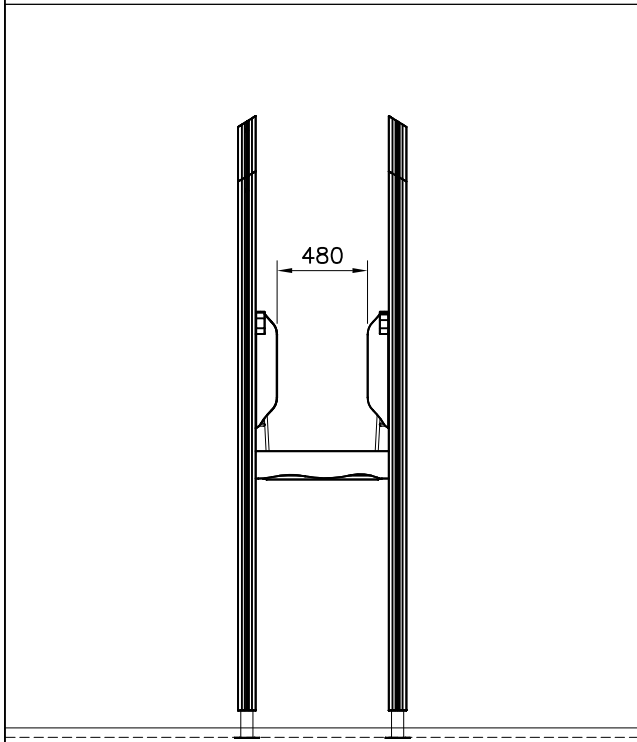


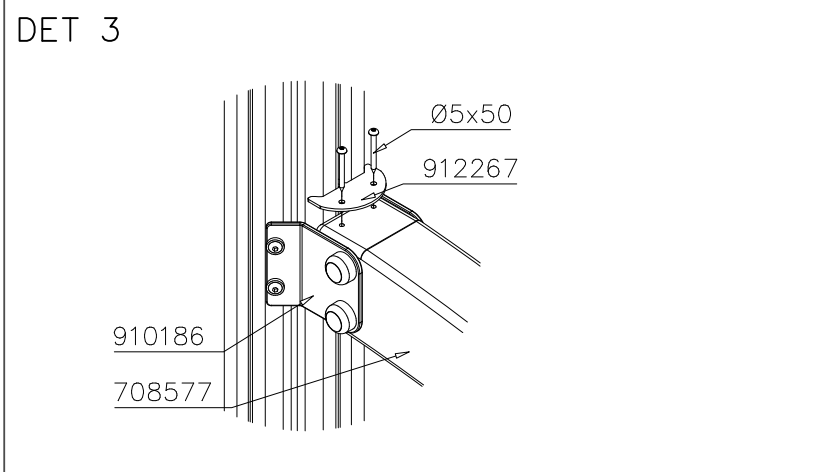
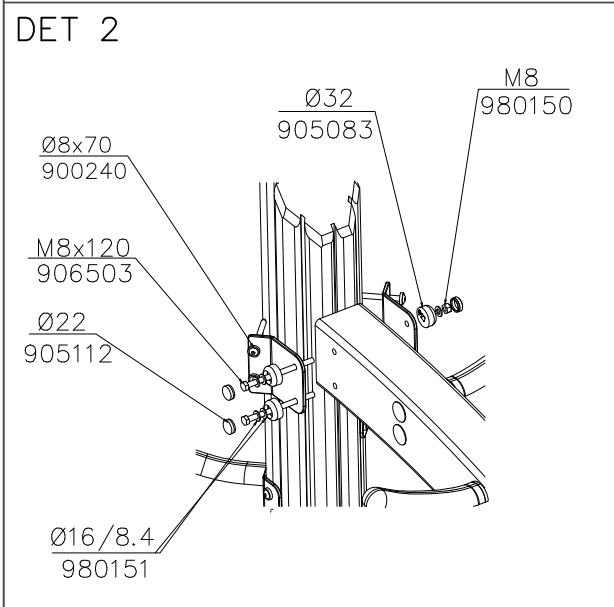
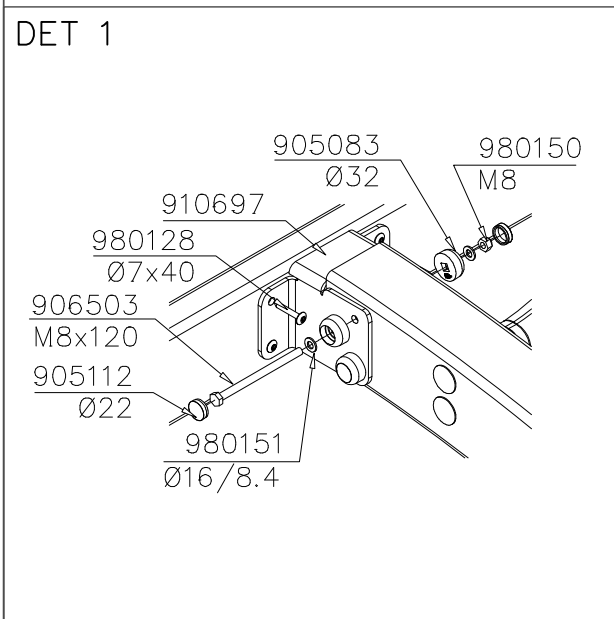
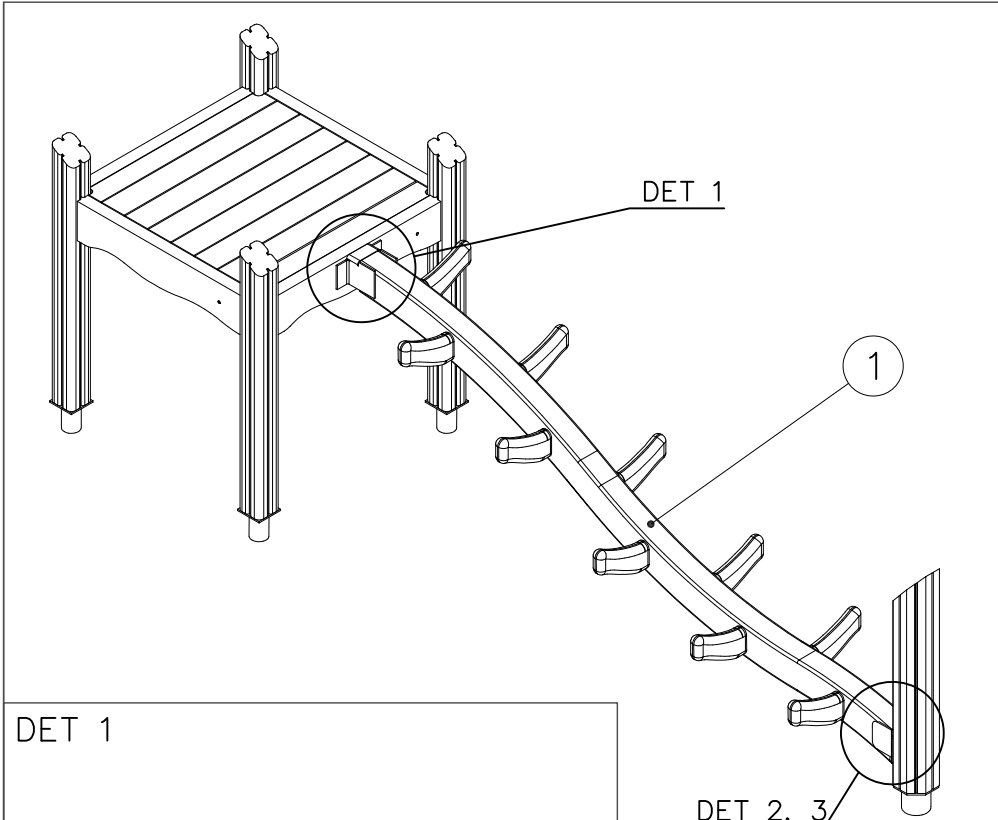
DET 6

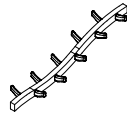
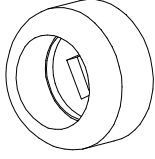
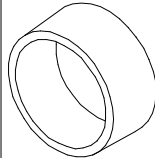
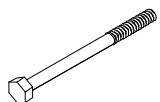
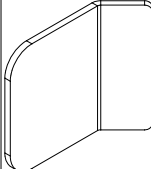
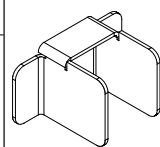
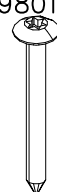
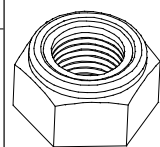
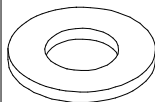


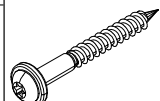




① 705487	PCS	② 905051	PCS
	2		4
45x120x590		Ø24/8.4	
③ 905066	PCS	④ 909232	PCS
	4		4
S30H		8x120	
	PCS		PCS
	PCS		PCS





① 708577	PCS	② 905083	PCS
	1		8
		Ø32	
③ 905112	PCS	④ 906503	PCS
	8		4
		Ø22	M8x120
⑤ 910186	PCS	⑥ 910697	PCS
	2		1
		100x119	100x117x188
⑦ 980128	PCS	⑧ 980150	PCS
	4		4
		Ø7x40	M8
⑨ 980151	PCS	⑩ 912267	PCS
	16		1
		Ø16/8.4	3x54x86
⑪ 980135	PCS	⑫ 900240	PCS
	2		4
		Ø5x50	Ø8x70

**Tuotekyltti tulee tuotteen mukana yhdellä seuraavista tavoista:****1) Metallinen tuotekyltti ja kiinnitysruuvit**

- Kiinnitä tuotekyltti ruuveilla tolppaan noin 2 metrin korkeuteen kuvan 1 mukaisesti.

**2) Tuotekylttitarra**

- Puhdista maalattu metalli- tai vaneripinta pölystä ja kosteudesta. Liimaa tarra kuvan 2 mukaisesti.
- Huom. Älä kiinnitä tarraa karheapintaiseen laminaattiin tai maalattuun puuhun.

**Vår produktmärkning levereras på ett av följande sätt:****1) Produktskylt i metall**

- Fäst skylten med de medföljande skruvarna

**2) Självhäftande produktetikett**

- Rengör den pulverlackerade metallytan eller laminatyten så att den blir fri från smuts och fukt. Fäst etiketten enligt fig. 2.
- Obs! Fäst ej etiketten på detaljer med skrovlig yta eller på målat trä.

**Product label is delivered by one of following ways:****1) Metal product label and screws**

- Fasten the label with screws.

**2) Label sticker**

- Clean the painted metal or plywood surface from dirt and moisture. Fasten the sticker as shown in the figure 2.
- Note. Do not attach the sticker to rough surfaced laminate or painted wood.

**La plaque d'informations produit est livrée sous l'une de ces 3 formes :****1) Plaque métallique et vis**

- Fixez la plaque à l'aide des vis.

**2) Etiquette autocollante**

- Avant de coller l'étiquette, nettoyez le composant métallique peint ou la plaque de contreplaqué, de toute saleté. La surface doit être sèche (voir image 2).
- Attention, ne pas coller l'étiquette sur une surface lamellé-collée irrégulière ou sur du bois peint.

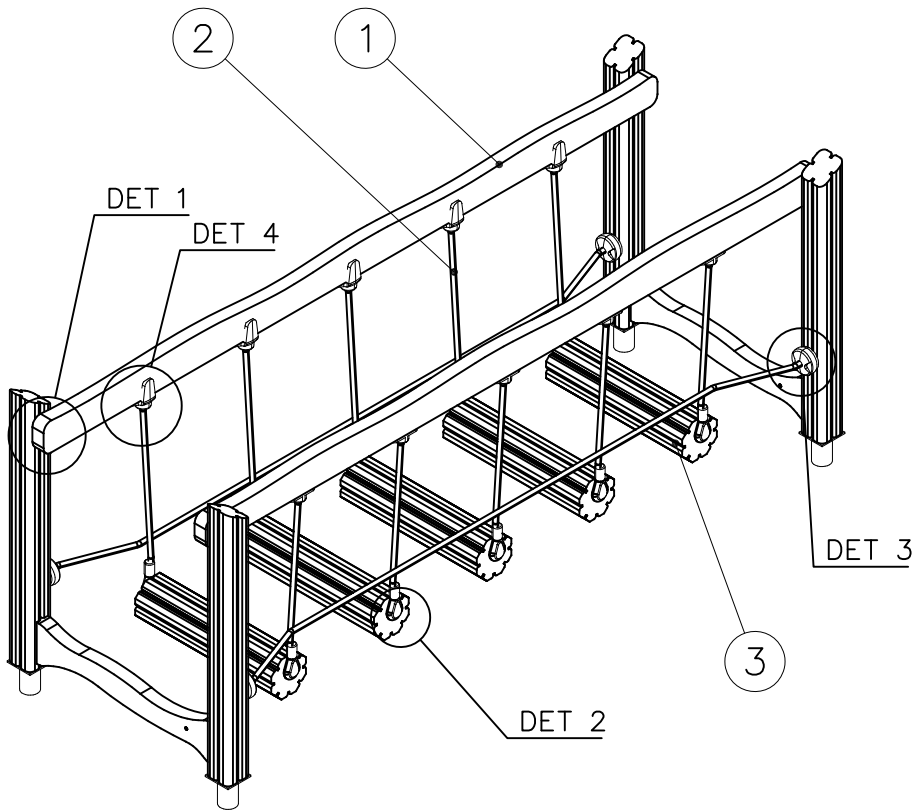
**Die Auslieferung des Produktaufklebers erfolgt auf eine dieser Arten:****1) Produkt-Schild aus Metall incl. Schrauben**

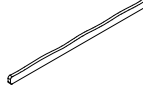
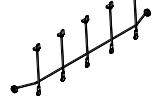
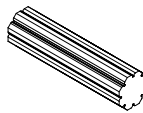
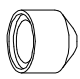
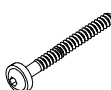
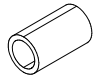





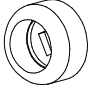
- Die Befestigung des Schildes erfolgt mittels der Schrauben.

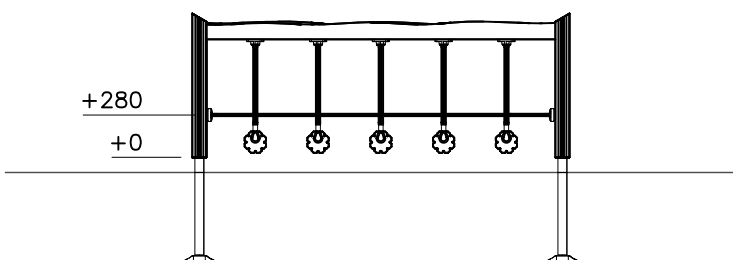
**2) Aufkleber**

- Entfernen Sie zunächst Schmutz und Feuchtigkeit vom lackierten Metall bzw. von der Holzoberfläche und bringen Sie den Aufkleber wie im Bild oben rechts beschrieben auf den gesäuberten Untergrund auf.
- Beachten Sie: Bringen Sie den Aufkleber nicht auf raues laminiertes oder lackiertes Holz an.





① 705222	PCS	② 708458	PCS
	2		2
45x113x2480		2340x700	
③ 708460	PCS	④ 905104	PCS
	5		10
140x140x550		M10	
⑤ 903093	PCS	⑥ 910317	PCS
	8		10
Ø8x90		Ø11/15x26	
⑦ 980123	PCS	⑧ 980128	PCS
	20		10
Ø7x60		Ø7x40	
⑨ 980151	PCS	⑩ 909232	PCS
	4		4
Ø16/8.4		Ø8x120	
⑪ 905112	PCS	⑫ 905083	PCS
	4		4
Ø22		Ø32	
	PCS		PCS
	PCS		PCS



# LAPPSET®

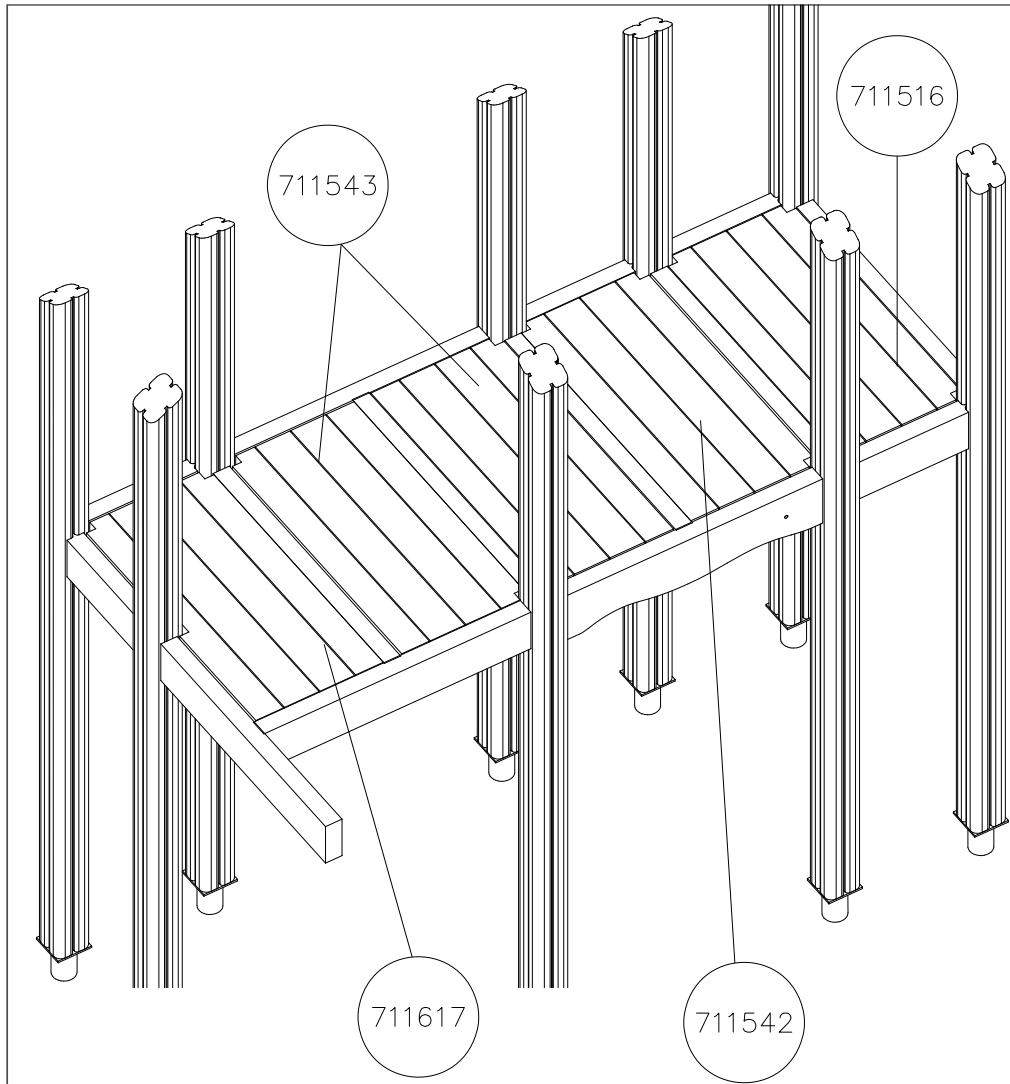
## FLORA

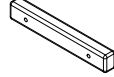

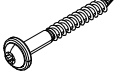
# 708457

DATE: 8.4.2024

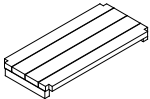
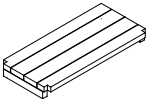
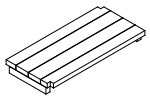
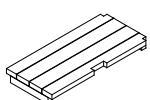
2(2)

<p>DET 1</p> <p>8x120 (909232)</p> <p>905112</p> <p>Ø16/8.4 (980151)</p> <p>905083</p>	<p>DET 2</p> <p>Ø20/10.5 909638</p> <p>M10 909637</p> <p>Ø11/15x26 910317</p> <p>M10 905104</p>	<p>DET 3</p> <p>Ø8x90 903093</p> <p>45°</p> <p>Pre Drill (X)</p>
<p>DET 4</p> <p>Ø7x40 (980128)</p> <p>Ø7x60 (980123)</p>		

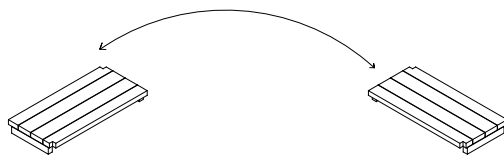


① 709858	PCS	② 980101	PCS
	2		4
32x45x290		Ø4.5x70	
③ 900240	PCS		PCS
	4		
Ø8x70			

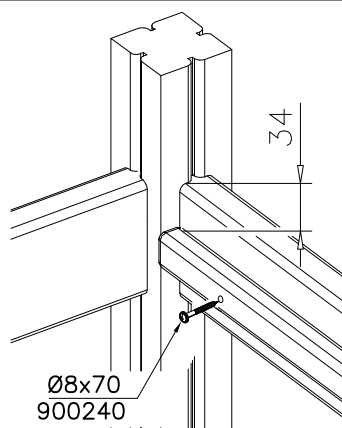
### FLOOR OPTIONS

○ 711516	PCS	○ 711542	PCS
	1		1
○ 711543	PCS	○ 711617	PCS
	1		1
	PCS		PCS

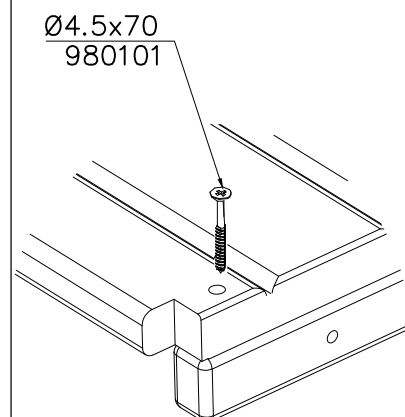
ATT ! You can turn the floorplate if needed !



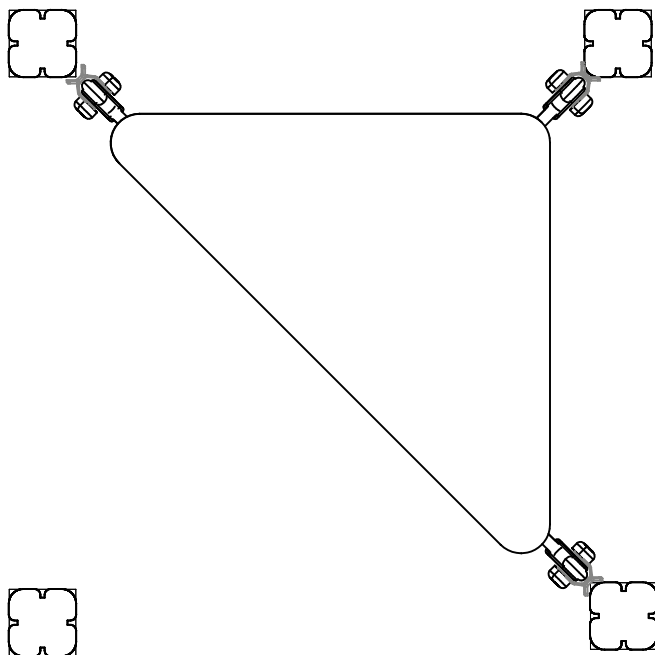
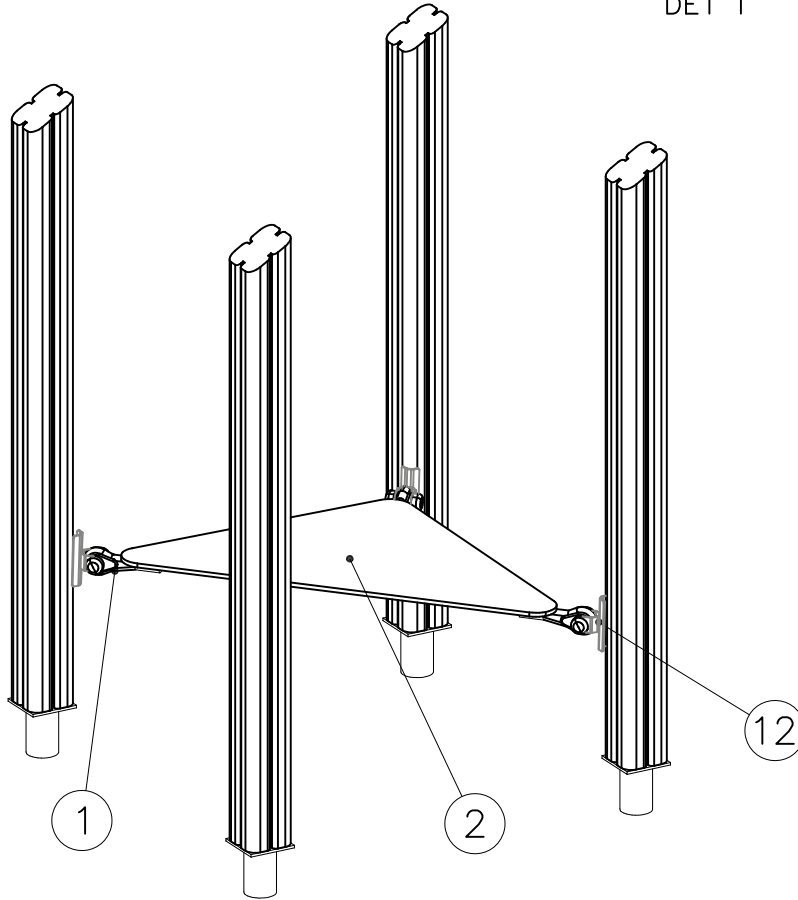
DET 1


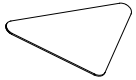


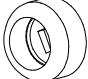
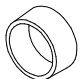
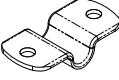




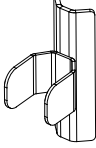
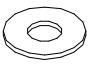



DET 2

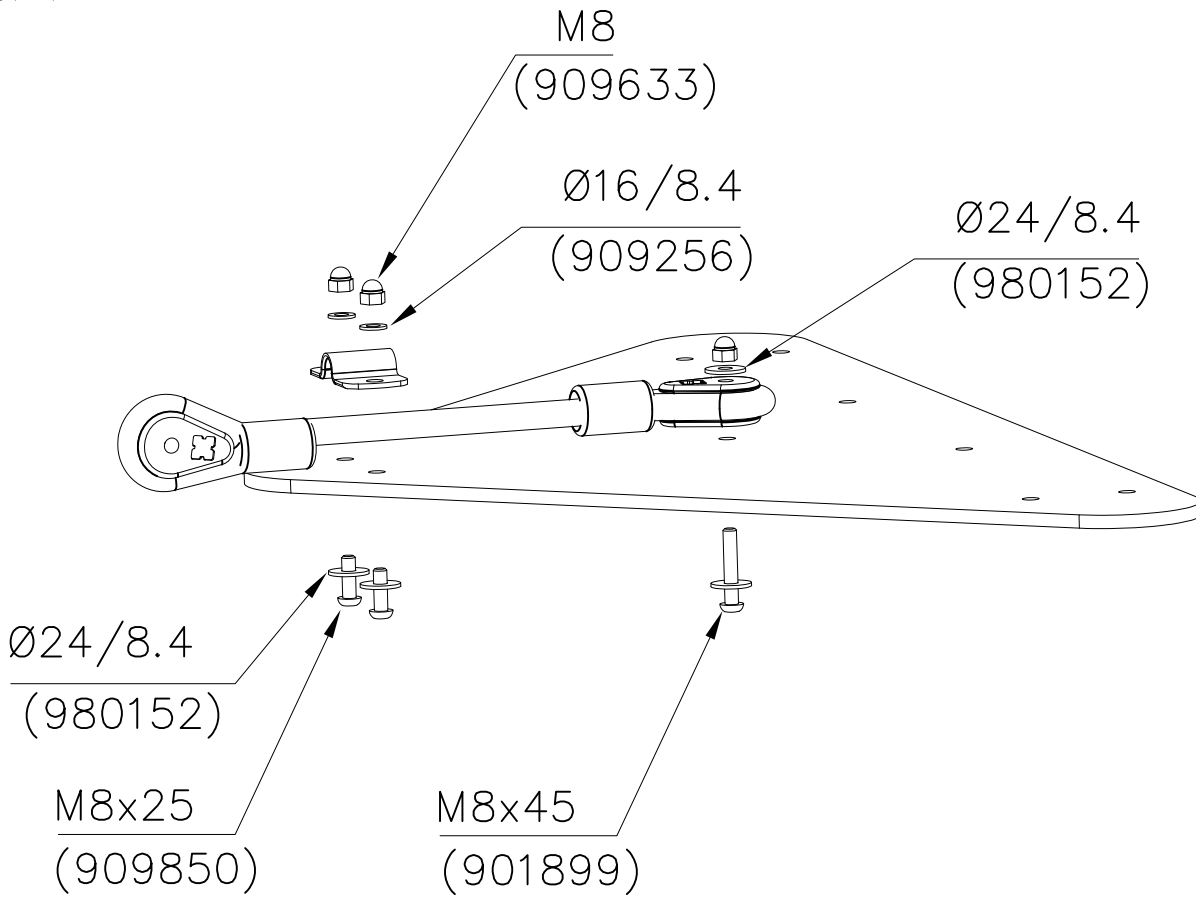


DET 1

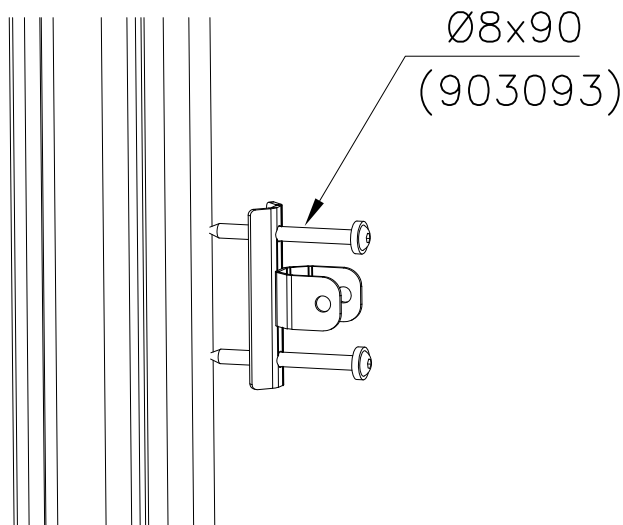


① 708257	PCS 3	② 708943	PCS 1
			
Ø16x350		8x694x694	
③ 901899	PCS 3	④ 903093	PCS 6
			
M8x45		Ø8x90	
⑤ 905083	PCS 6	⑥ 905112	PCS 6
			
Ø32		Ø22	
⑦ 908295	PCS 3	⑧ 909256	PCS 12
			
82x40x17x3		Ø16/8.4	
⑨ 909568	PCS 3	⑩ 909633	PCS 9
			
M8x55		M8	
⑪ 909850	PCS 6	⑫ 910759	PCS 3
			
M8x25			
⑬ 980152	PCS 12	⑭ 980160	PCS 3
			
Ø24/8.4		M8	

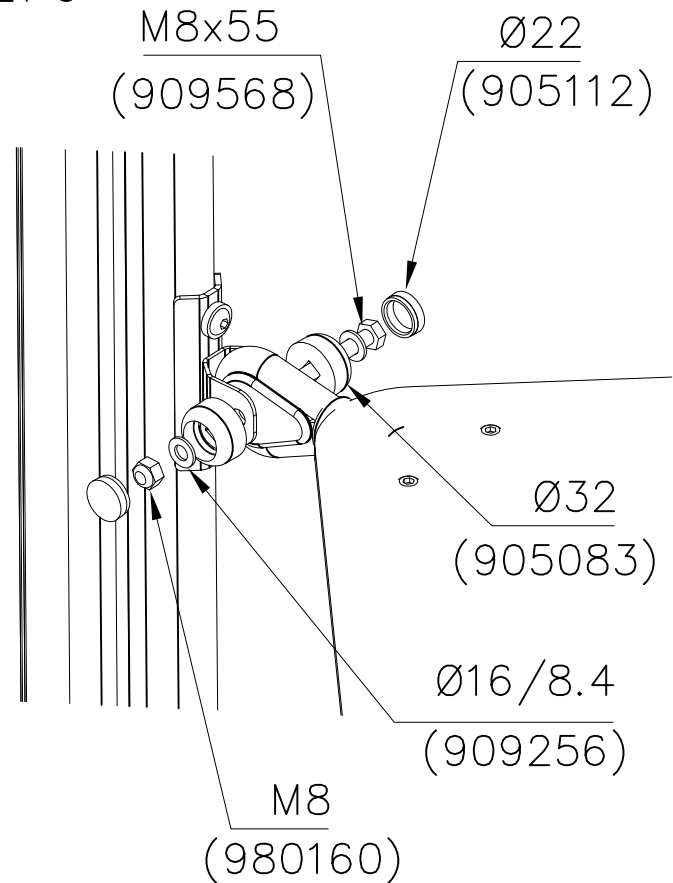
DET 1

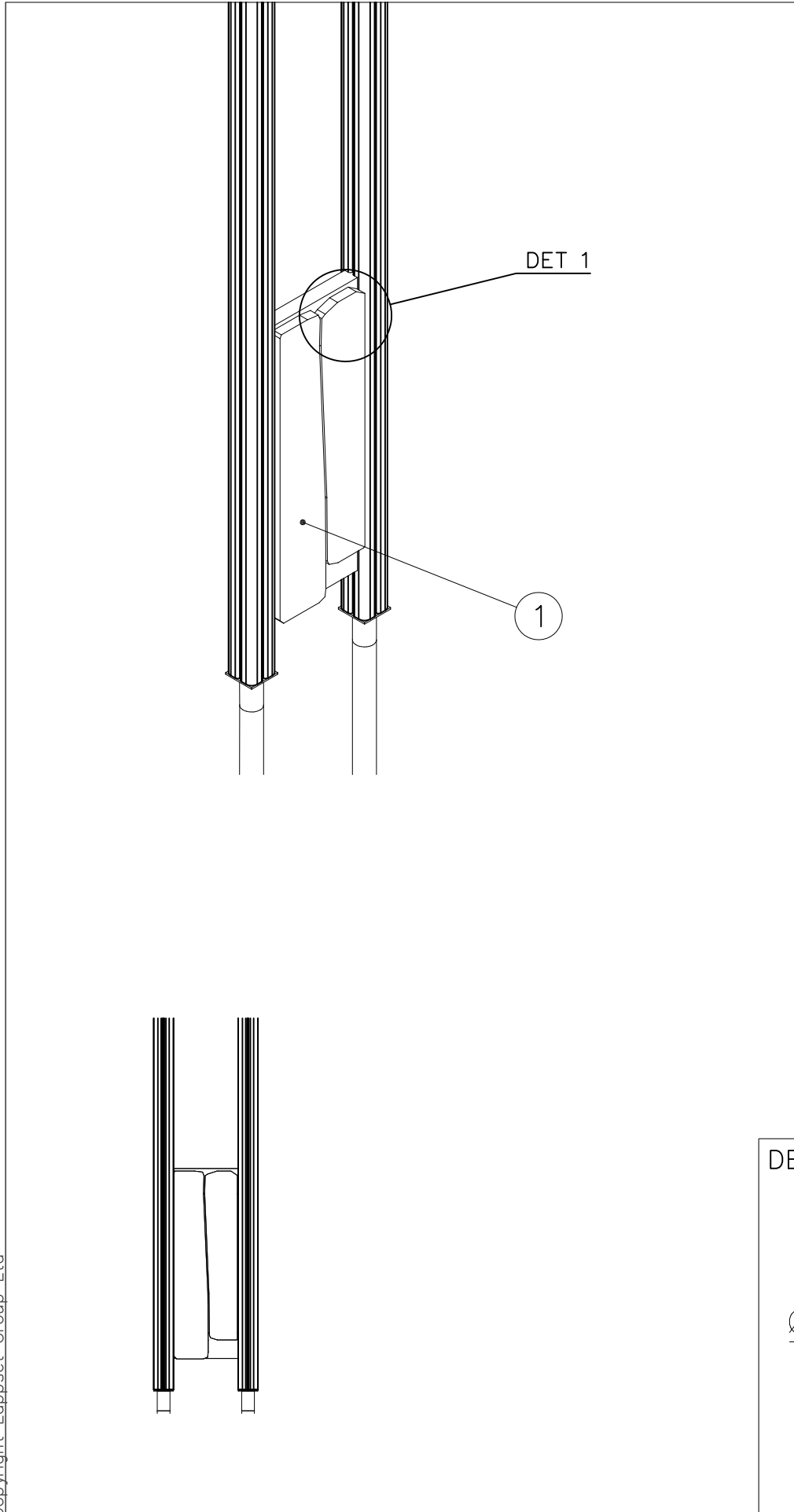




DET 2

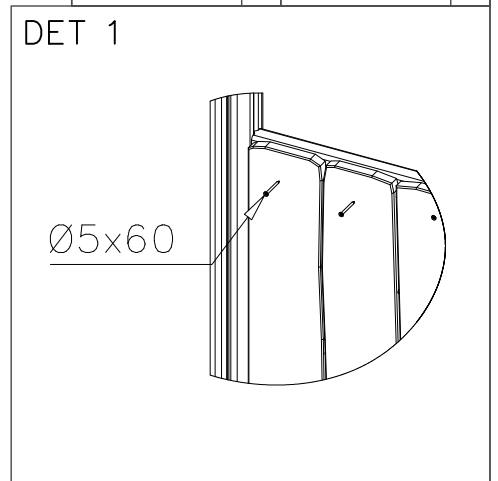


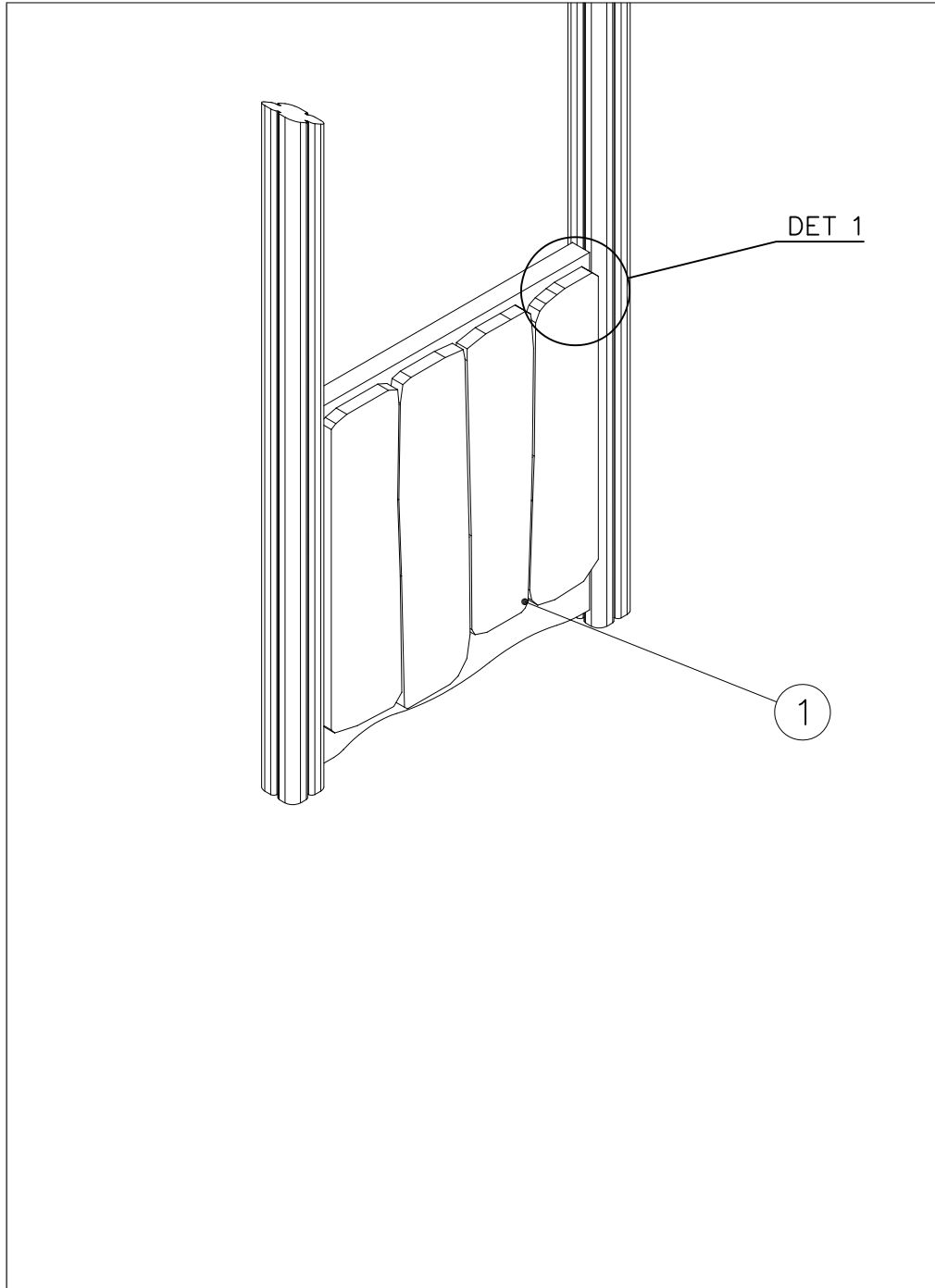
DET 3

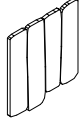
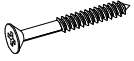


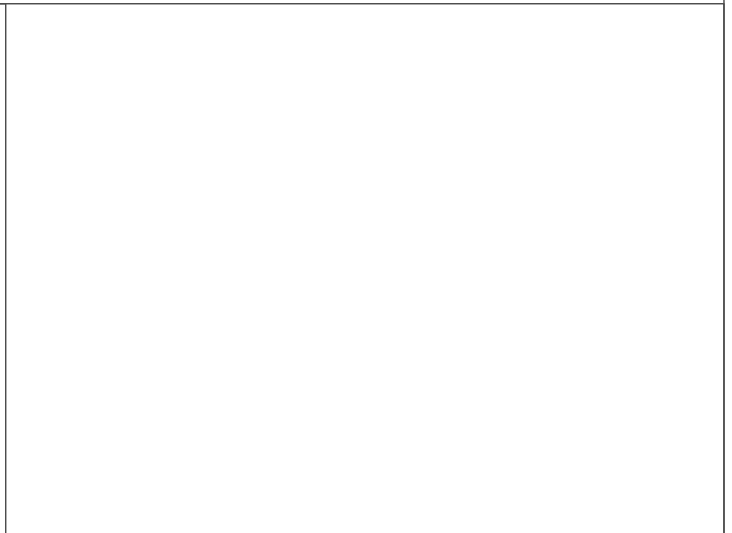
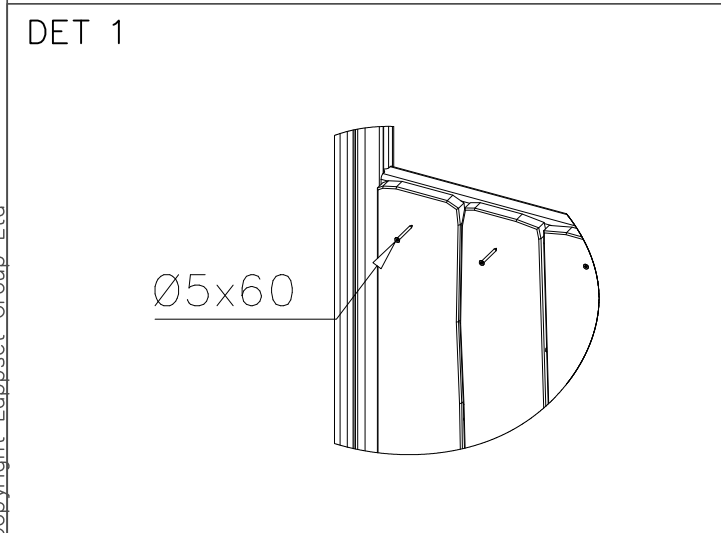


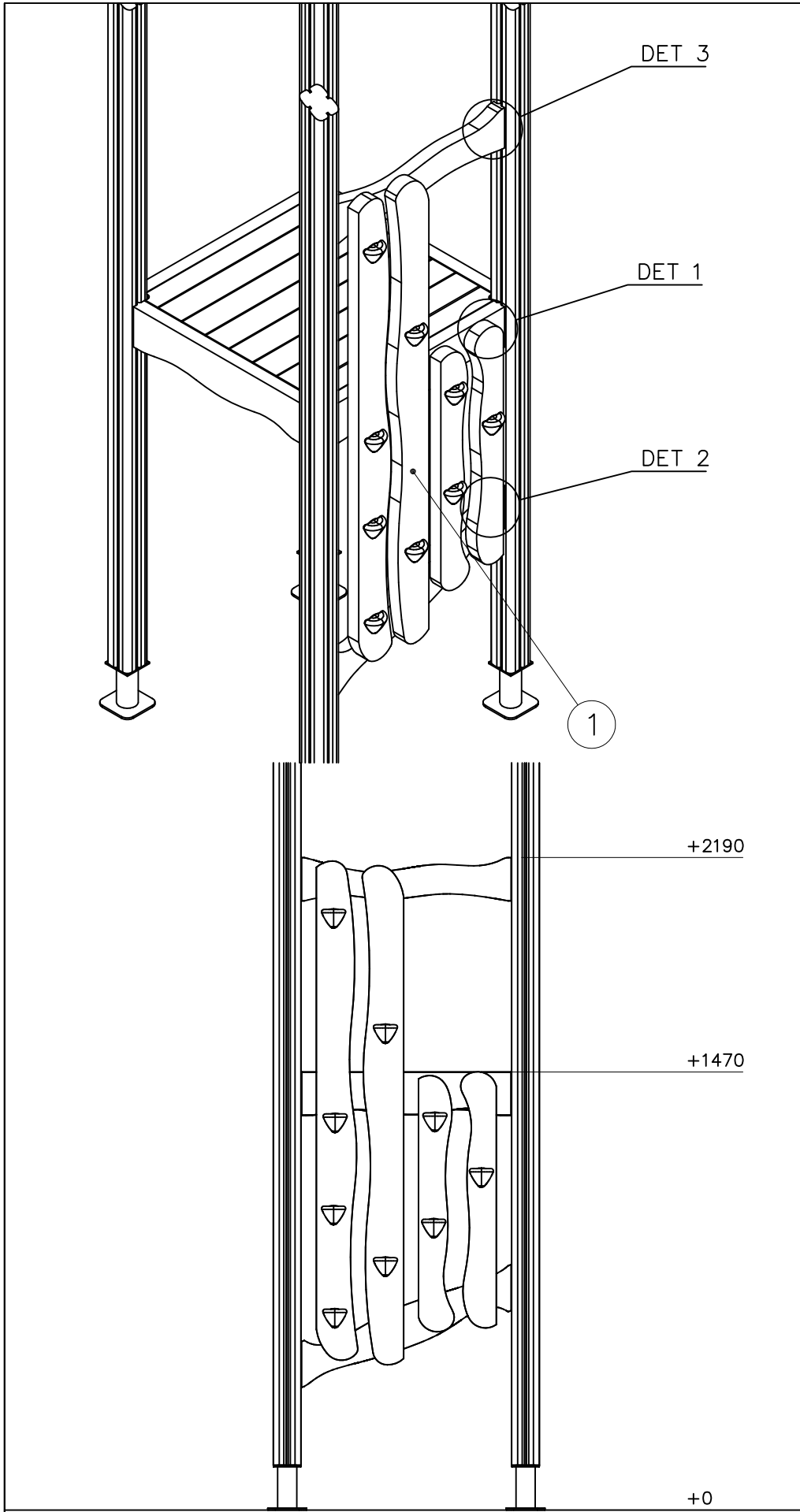
① 709897	PCS	② 980100	PCS
	1		8
28x300x885		Ø5x60	
	PCS		PCS
	PCS		PCS
	PCS		PCS
	PCS		PCS

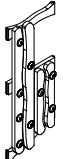
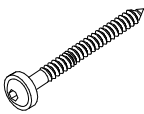




① 708917	PCS	② 980100	PCS
	1		16
			
28x700x745		Ø5x60	
	PCS		PCS
	PCS		PCS
	PCS		PCS
	PCS		PCS

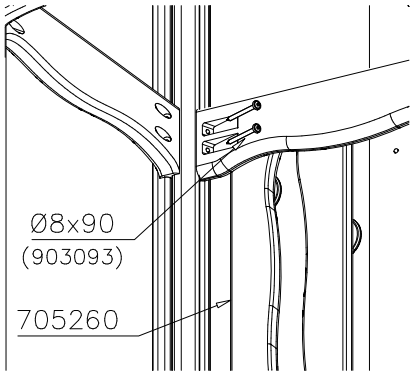




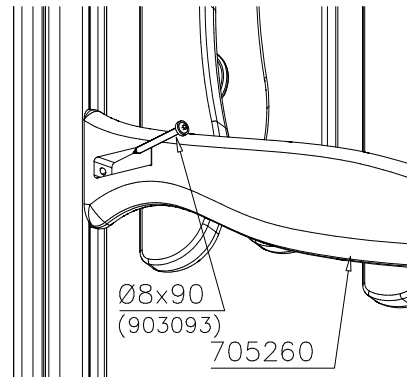
① 705260	PCS	② 903093	PCS
	1		10
WALL		Ø8x90	
	PCS		PCS
	PCS		PCS
	PCS		PCS
	PCS		PCS
	PCS		PCS
	PCS		PCS



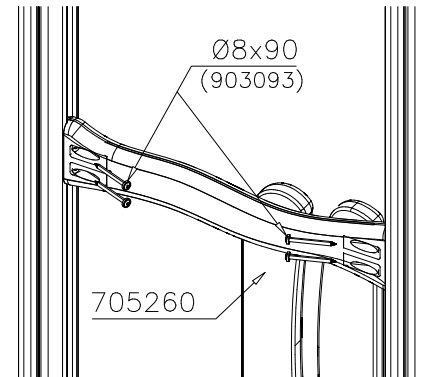
DET 1

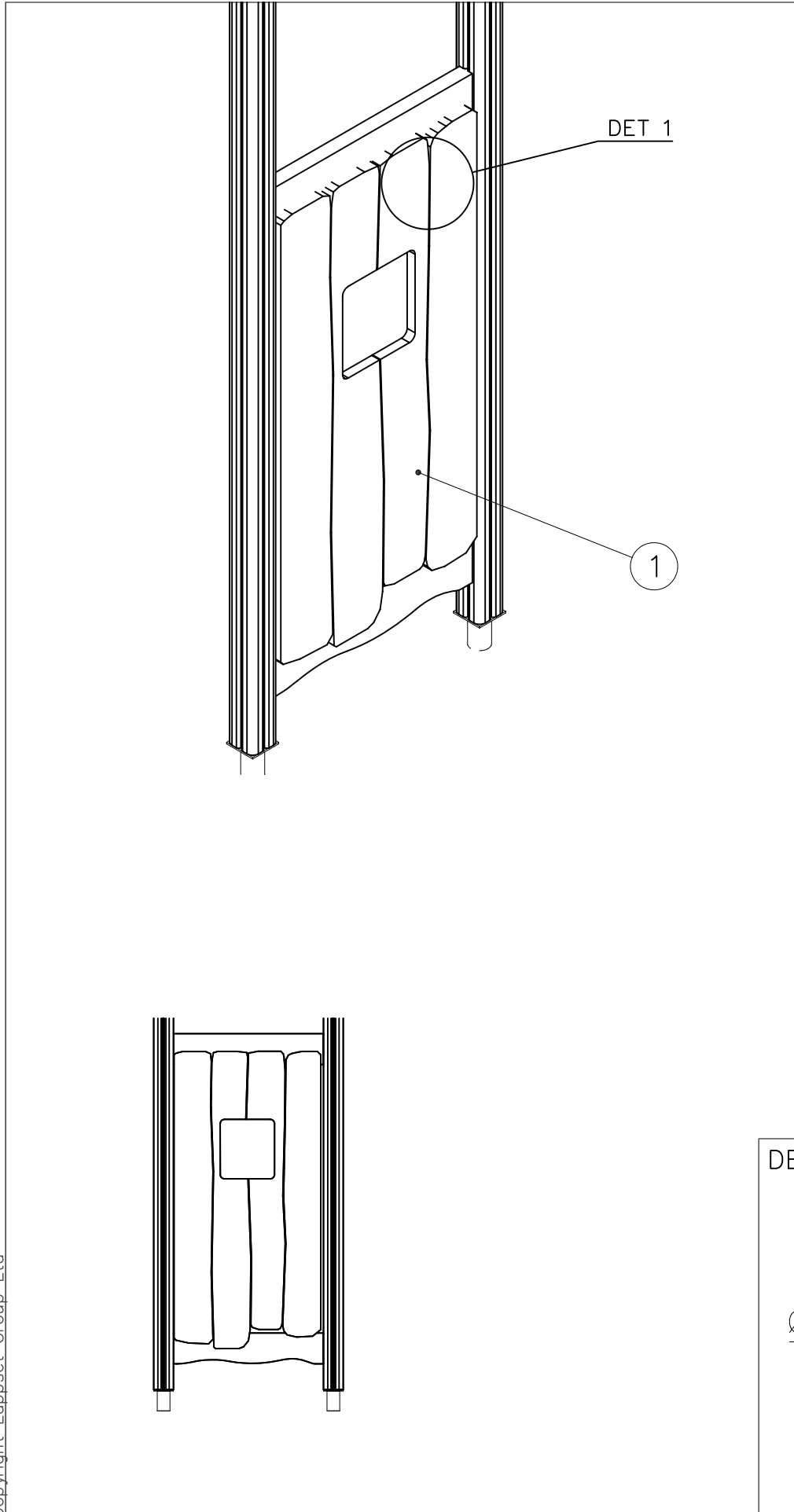


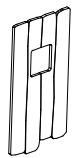

DET 2

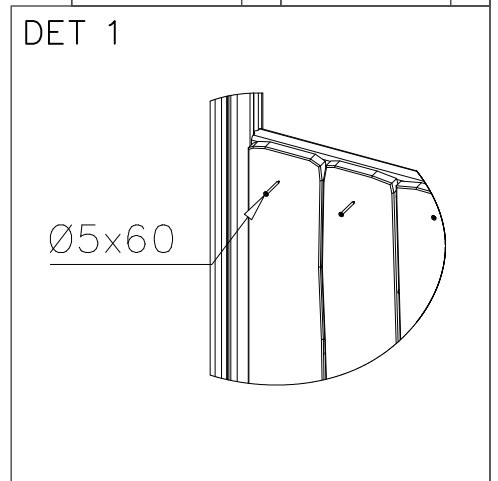


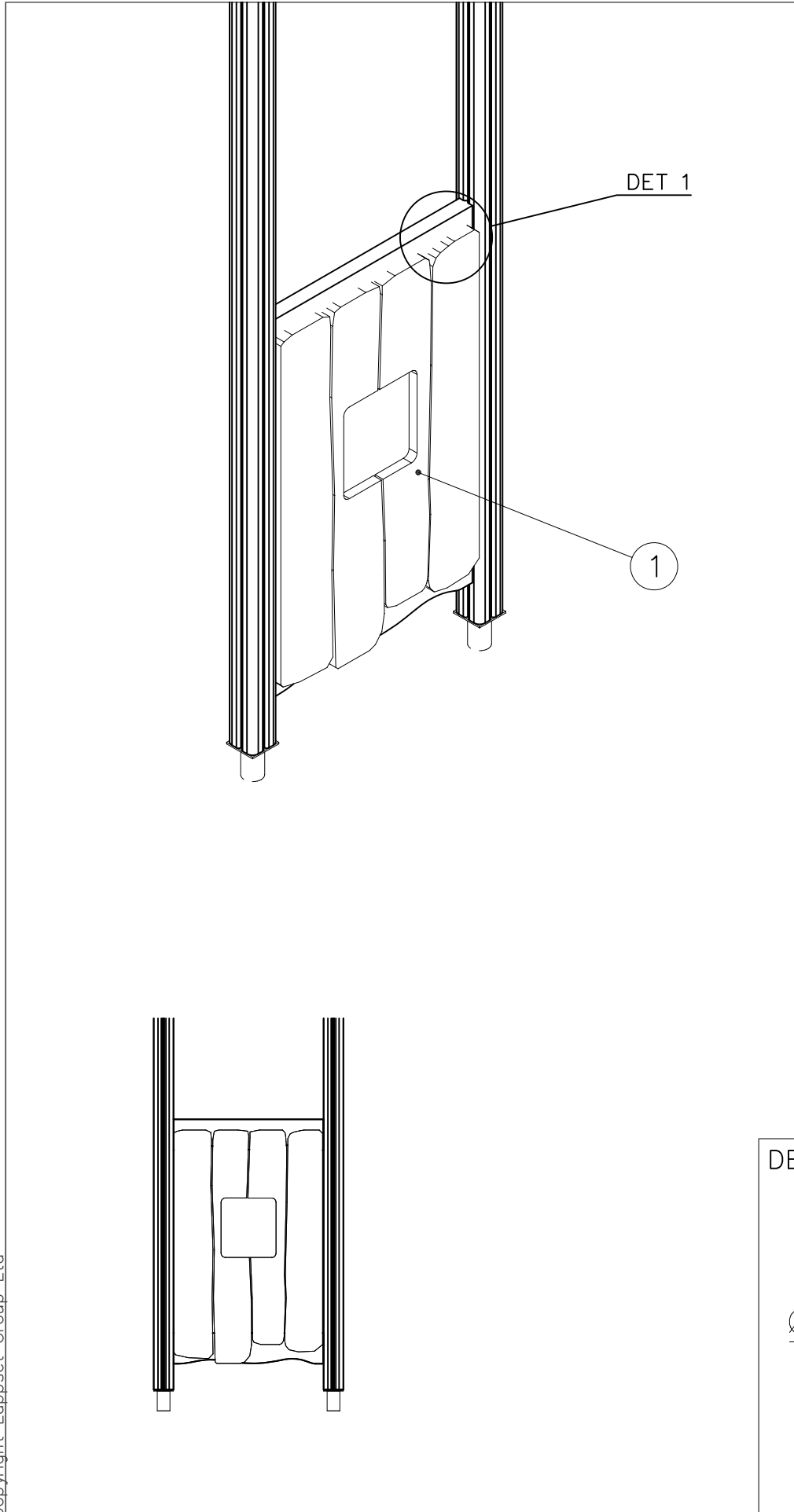
DET 3

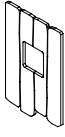
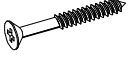


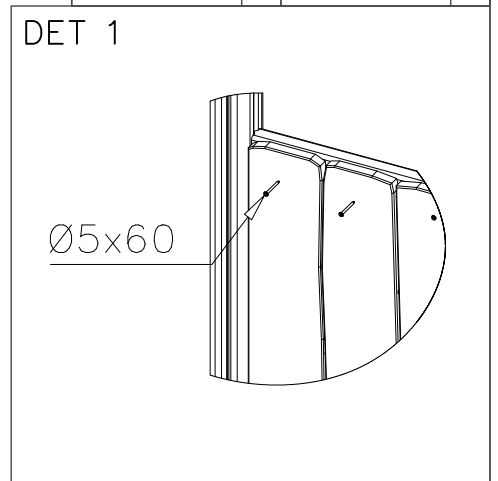


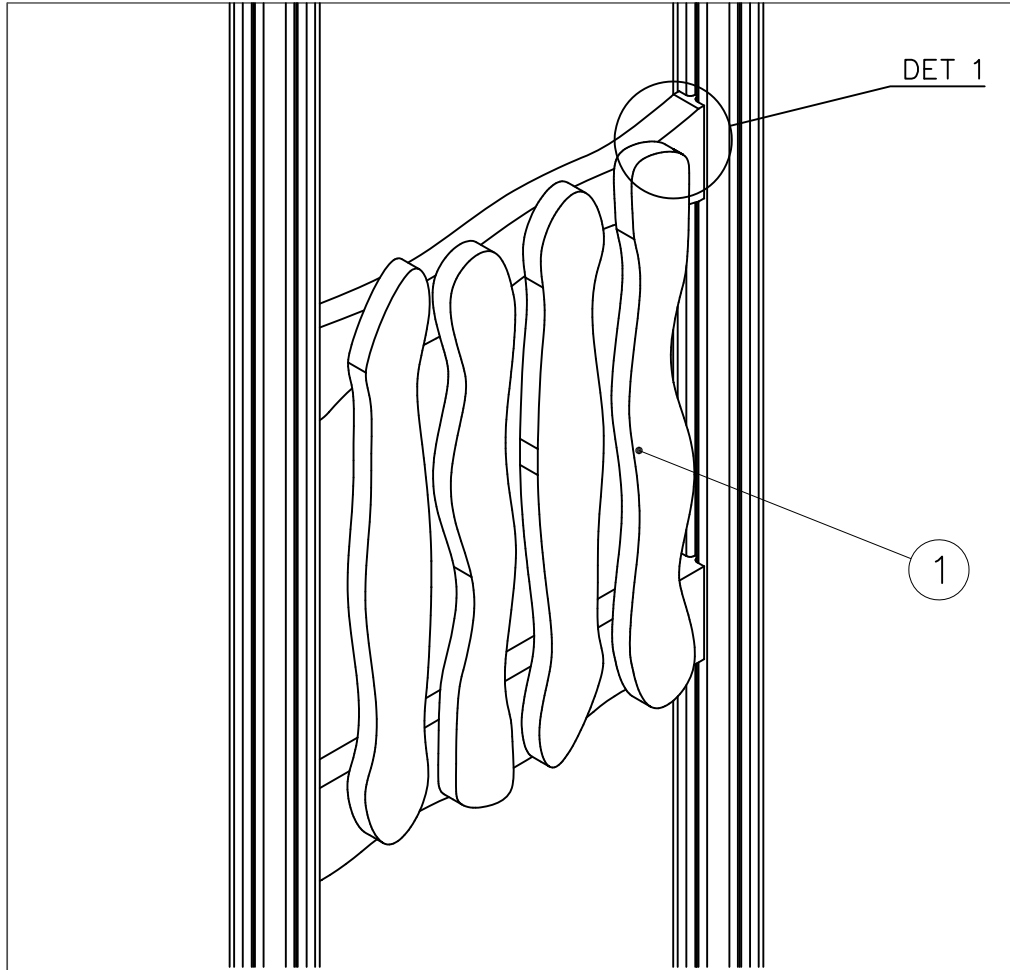
① 708407	PCS	② 980100	PCS
	1		16
700x1400		Ø5x60	
	PCS		PCS
	PCS		PCS
	PCS		PCS
	PCS		PCS





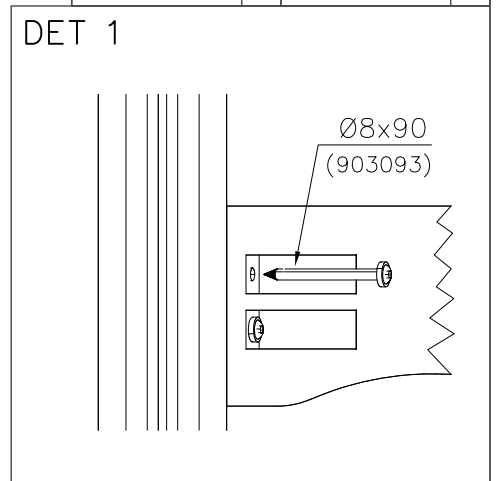
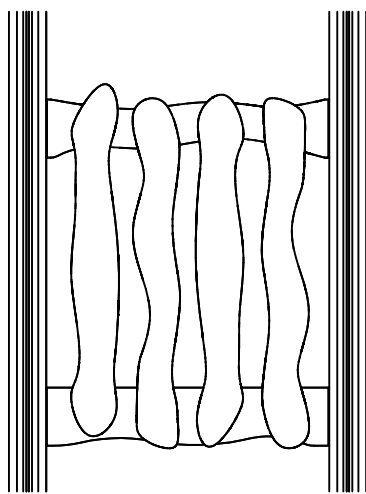


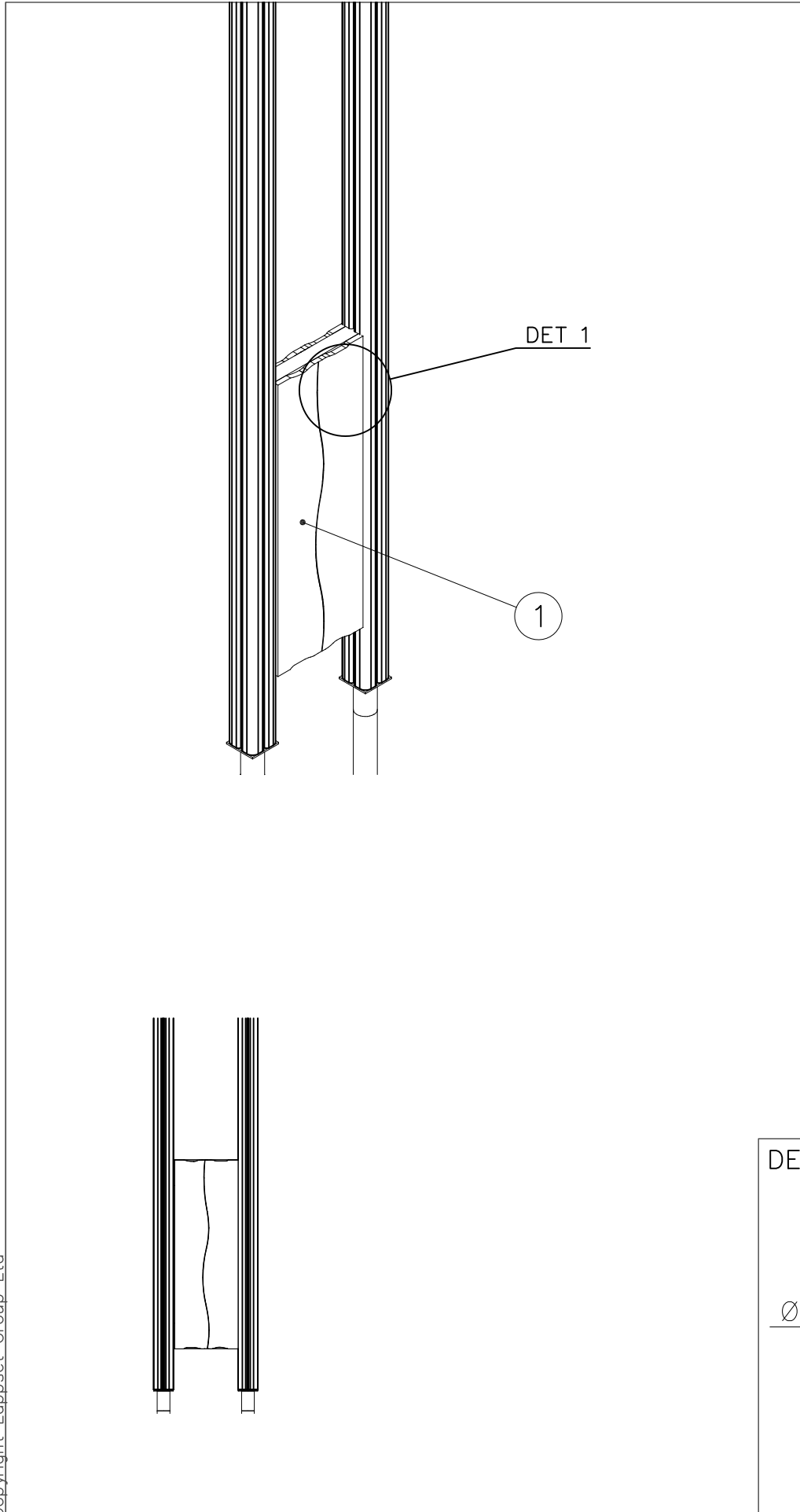
① 708595	PCS	② 980100	PCS
	1		16
700x1100		Ø5x60	
	PCS		PCS
	PCS		PCS
	PCS		PCS
	PCS		PCS





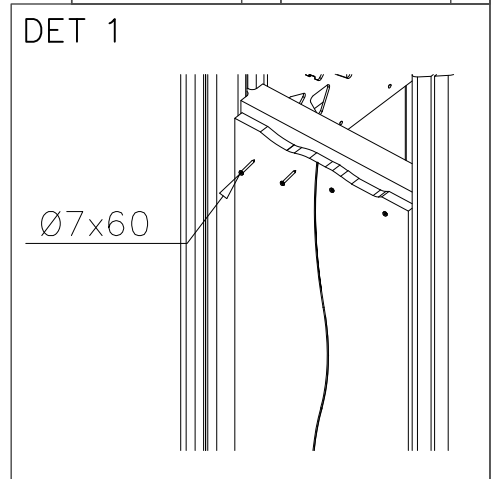


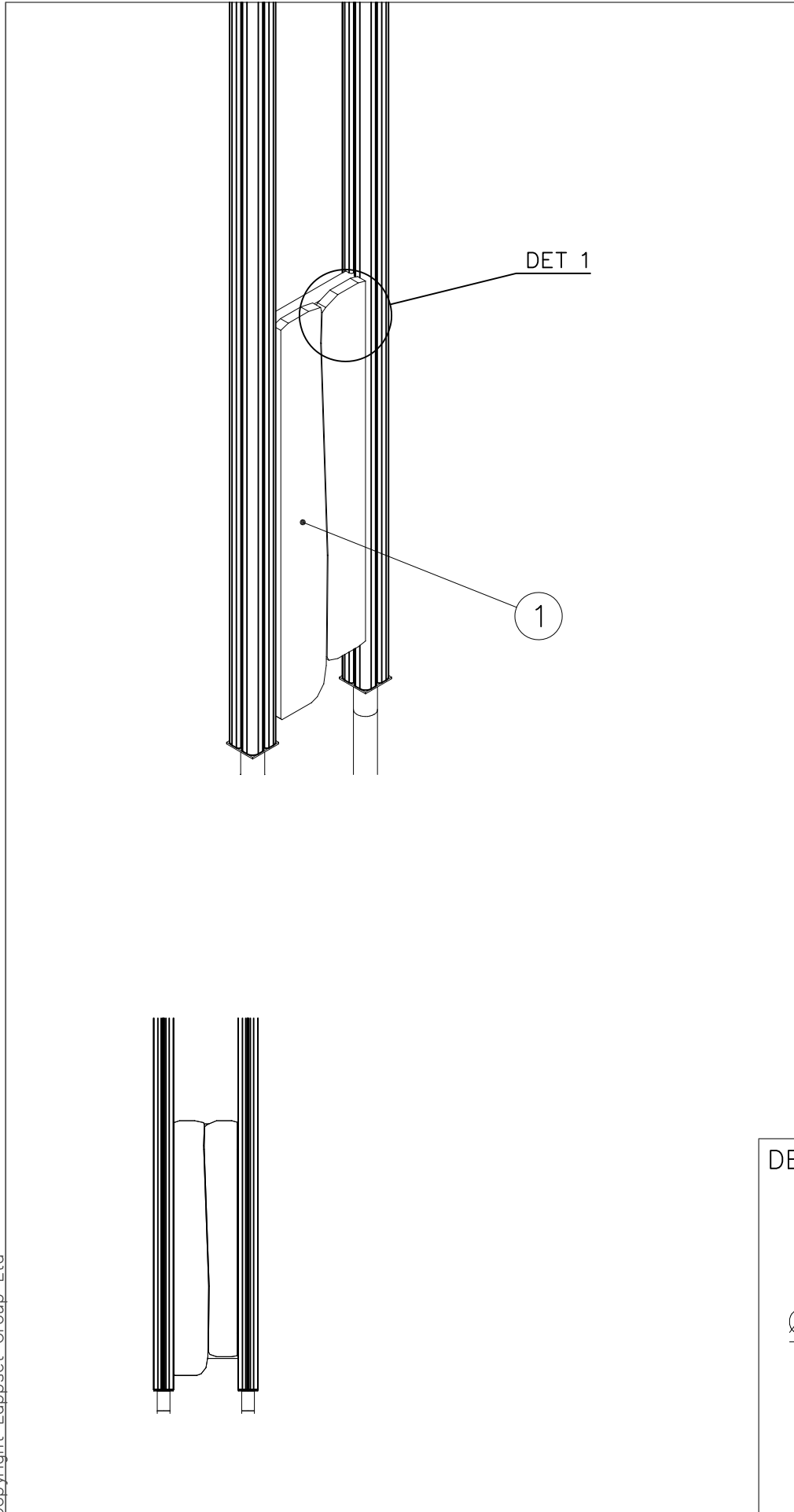
① 705210	PCS	② 903093	PCS
	1		8
		Ø8x90	
	PCS		PCS
	PCS		PCS
	PCS		PCS
	PCS		PCS
	PCS		PCS





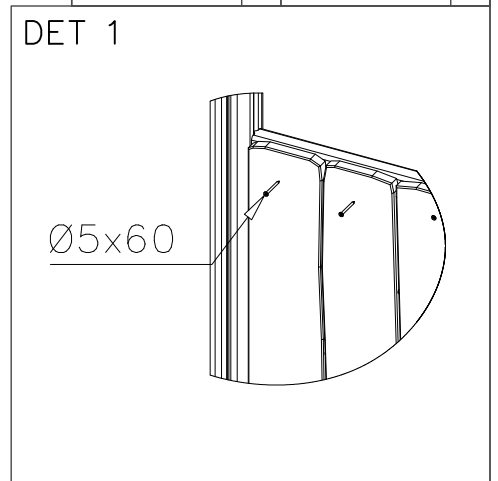


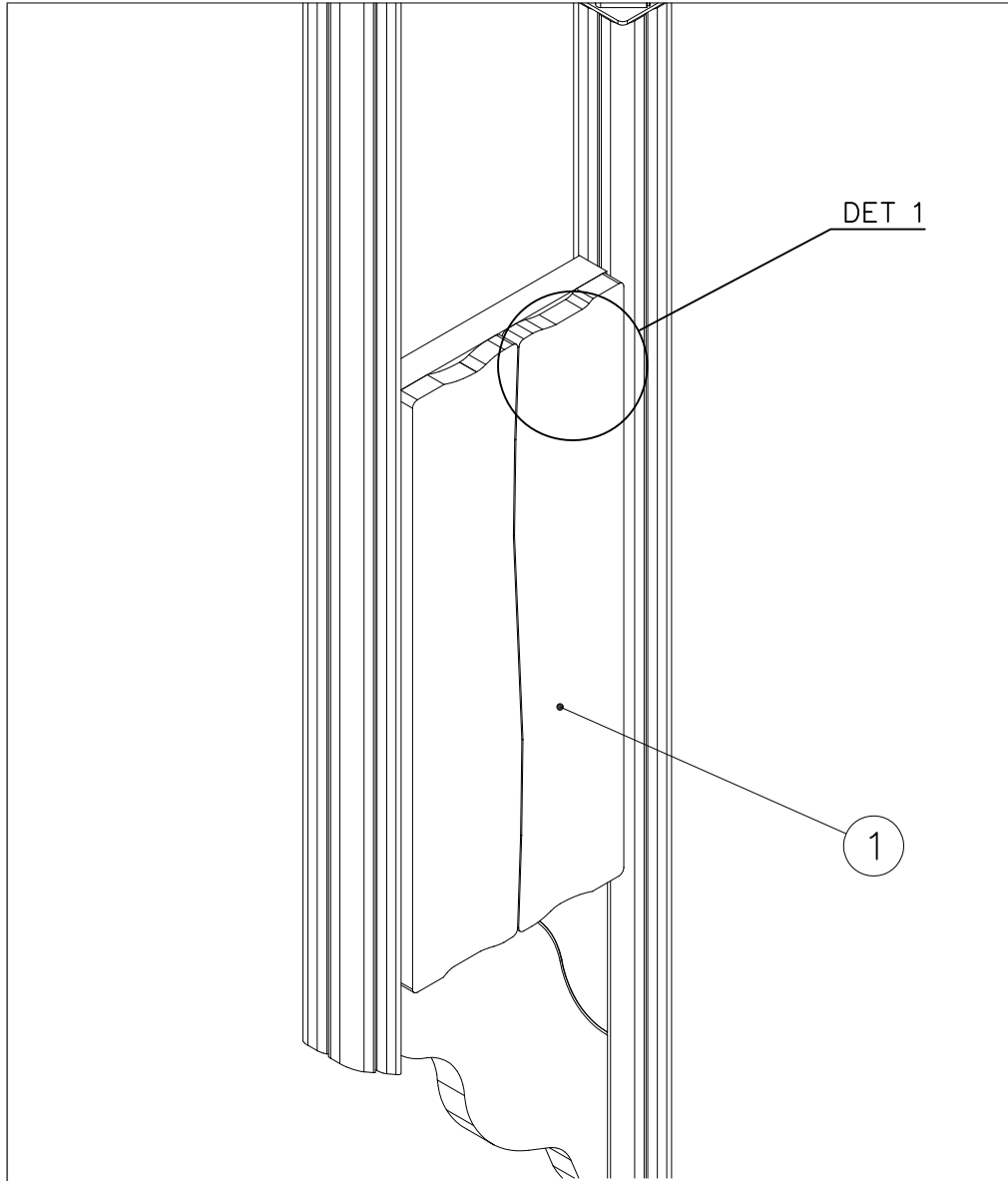
① 709911	PCS	② 980123	PCS
	1		12
			
15x300x890		Ø7x60	
	PCS		PCS
	PCS		PCS
	PCS		PCS
	PCS		PCS

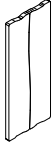
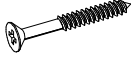




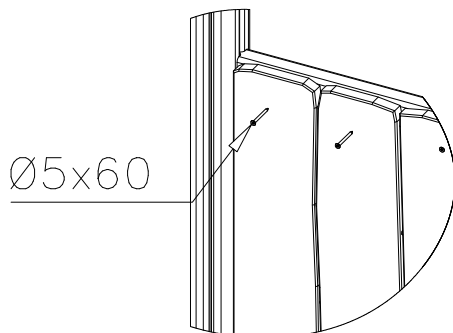
① 709896	PCS	② 980100	PCS
	1		12
28x300x1200		Ø5x60	
	PCS		PCS
	PCS		PCS
	PCS		PCS
	PCS		PCS

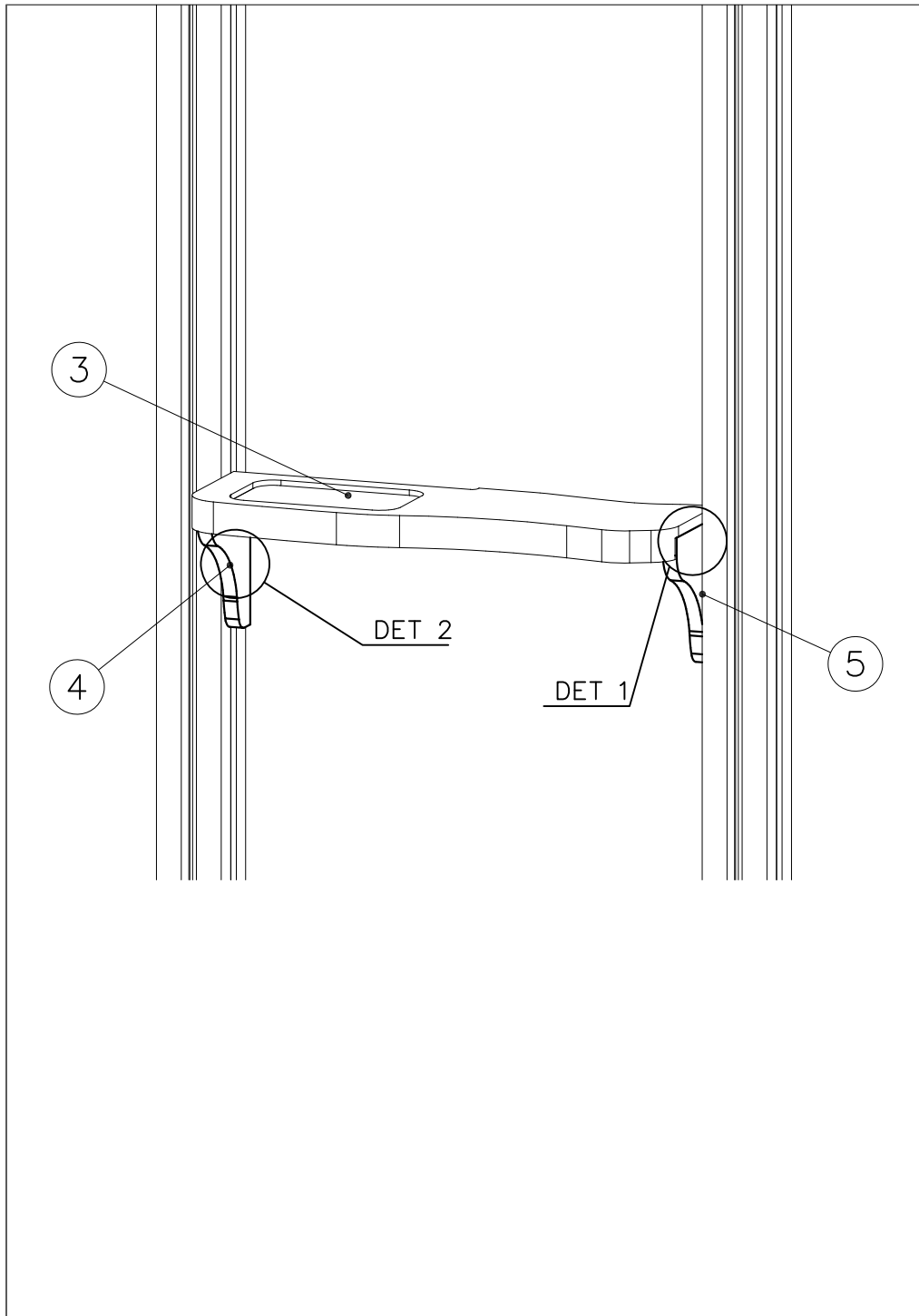


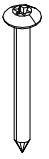
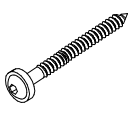
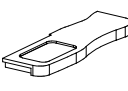
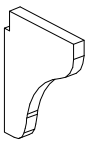
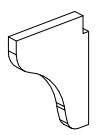


① 709037	PCS	② 980100	PCS
	1		8
28x350x850		Ø5x60	
	PCS		PCS
	PCS		PCS
	PCS		PCS

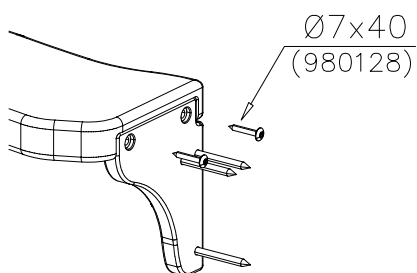
DET 1



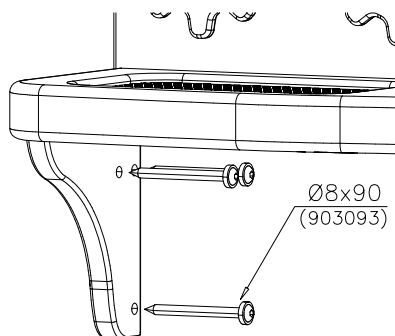


①	980128	PCS	②	903093	PCS
		4			6
	Ø7x40			Ø8x90	
③	709406	PCS	④	709350	PCS
		1			1
	45x224x702			20x154x200	
		PCS	⑤	709400	PCS
					1
				20x154x200	
		PCS			PCS
		PCS			PCS
		PCS			PCS
		PCS			PCS
		PCS			PCS

DET 1

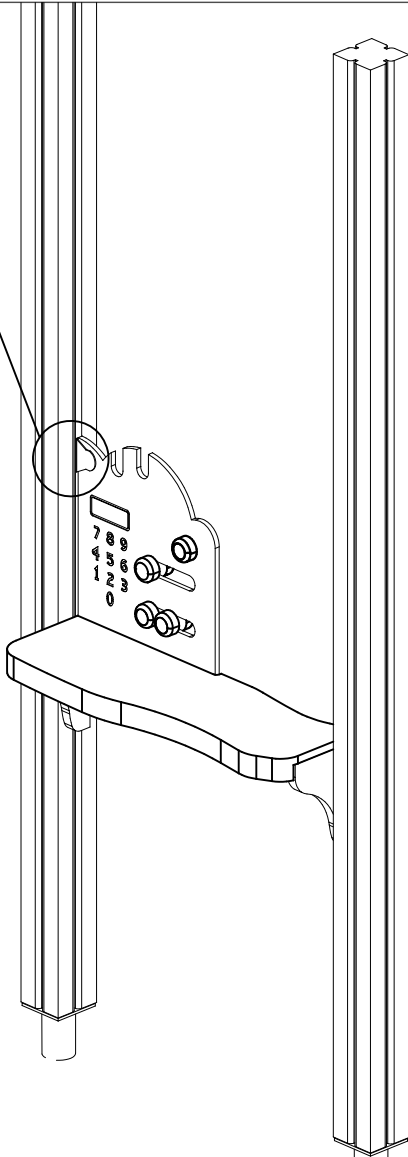


DET 2

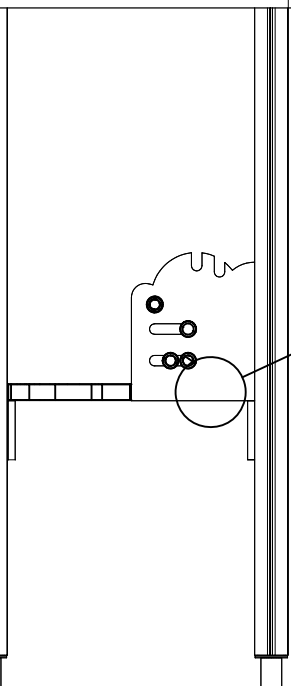


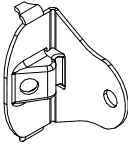
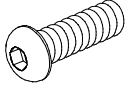

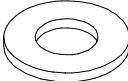
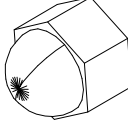

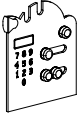


DET 1-2

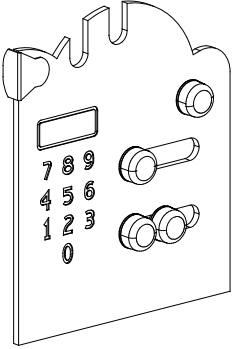


DET 3



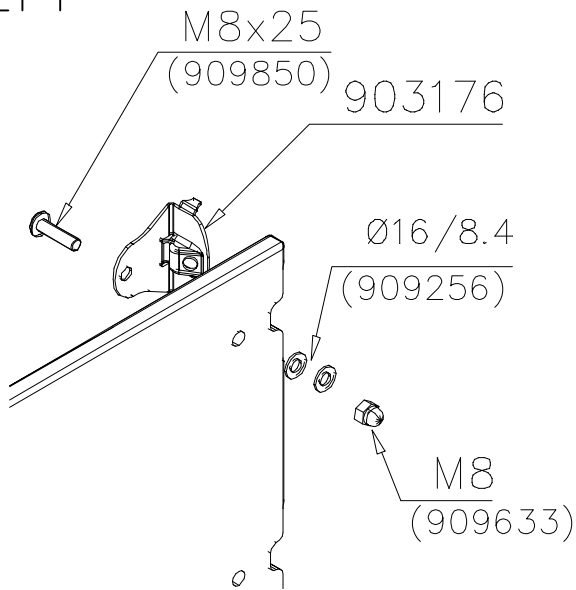
① 903176	PCS	② 909850	PCS
	1		1
		M8x25	
③ 980128	PCS	④ 909256	PCS
	3		2
Ø7x40		Ø16/8.4	
⑤ 909633	PCS	⑥ 980123	PCS
	1		1
M8		Ø7x60	
⑦ 709351	PCS		PCS
	1		
69x351x421			
	PCS		PCS
	PCS		PCS
	PCS		PCS
	PCS		PCS

709351

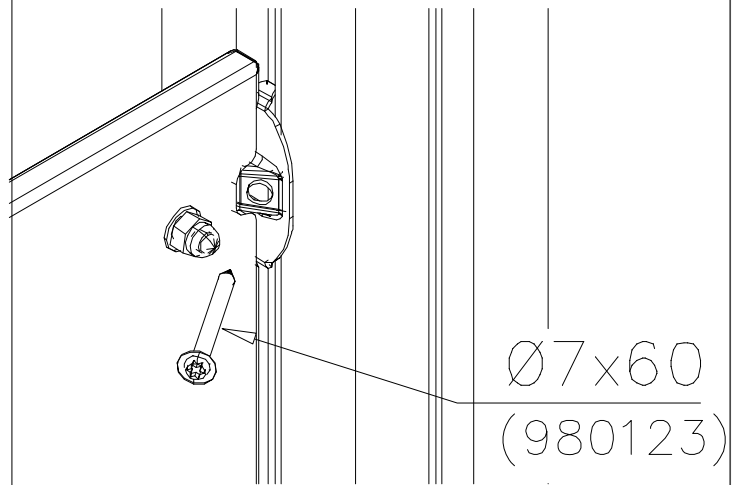


10x351x423

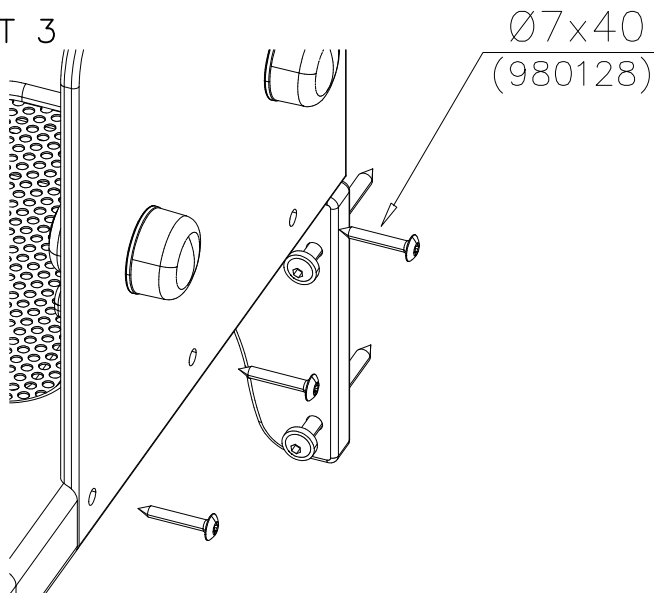
DET 1



DET 2



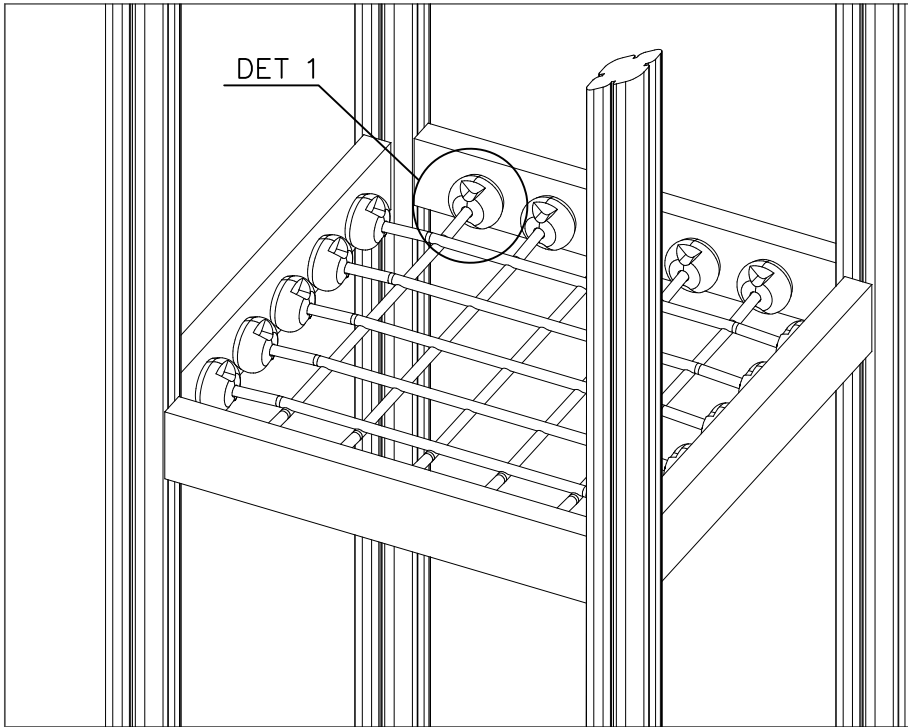
DET 3

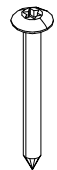

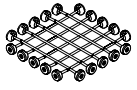


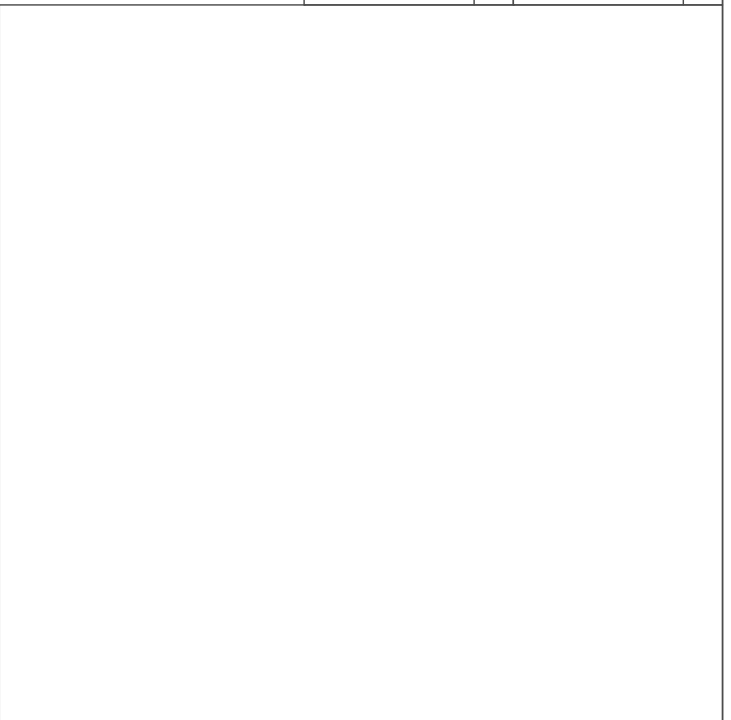
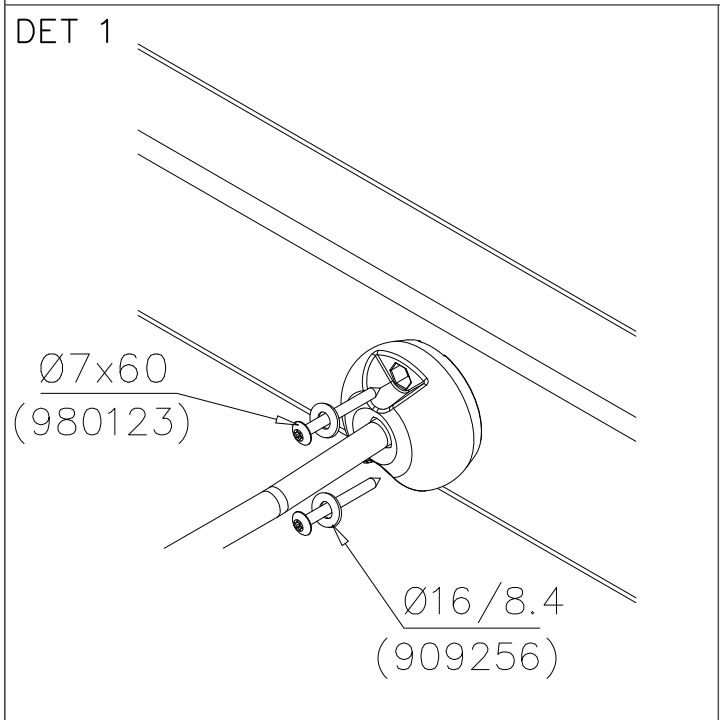
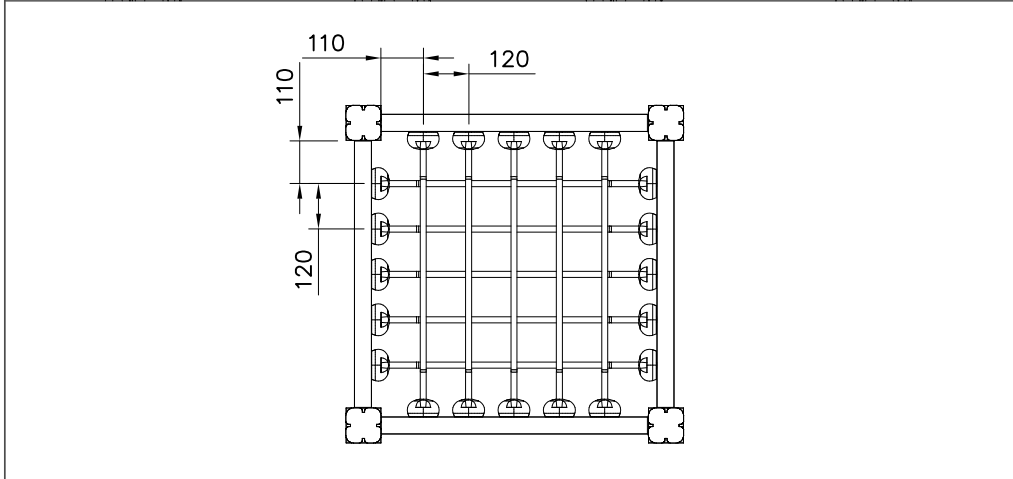
\*Note:

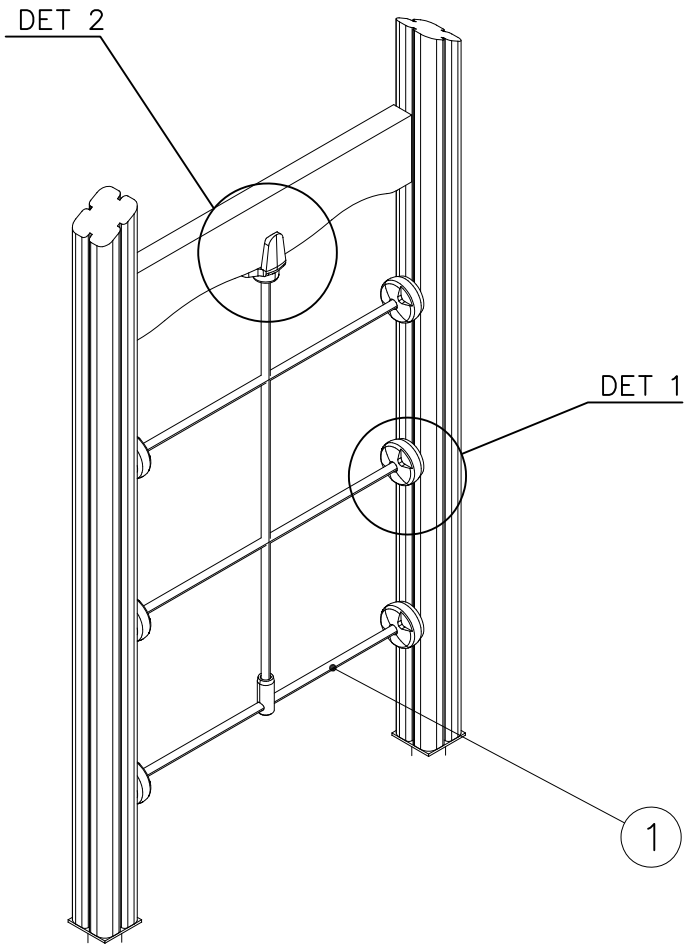
Wall 709351 compatible  
 only with  
 table 709406

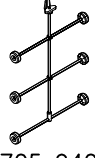







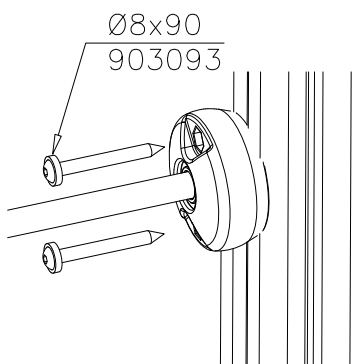
① 980123	PCS	② 909256	PCS
	40		40
Ø7x60		Ø16/8.4	
	PCS	③ 707590	PCS
			
		755x755	
	PCS		PCS
	PCS		PCS
	PCS		PCS



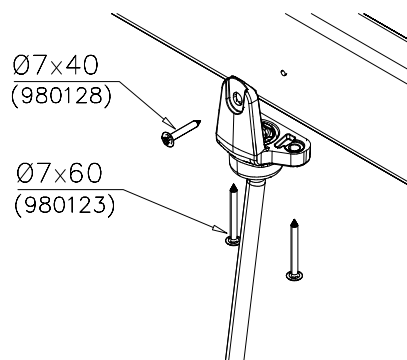


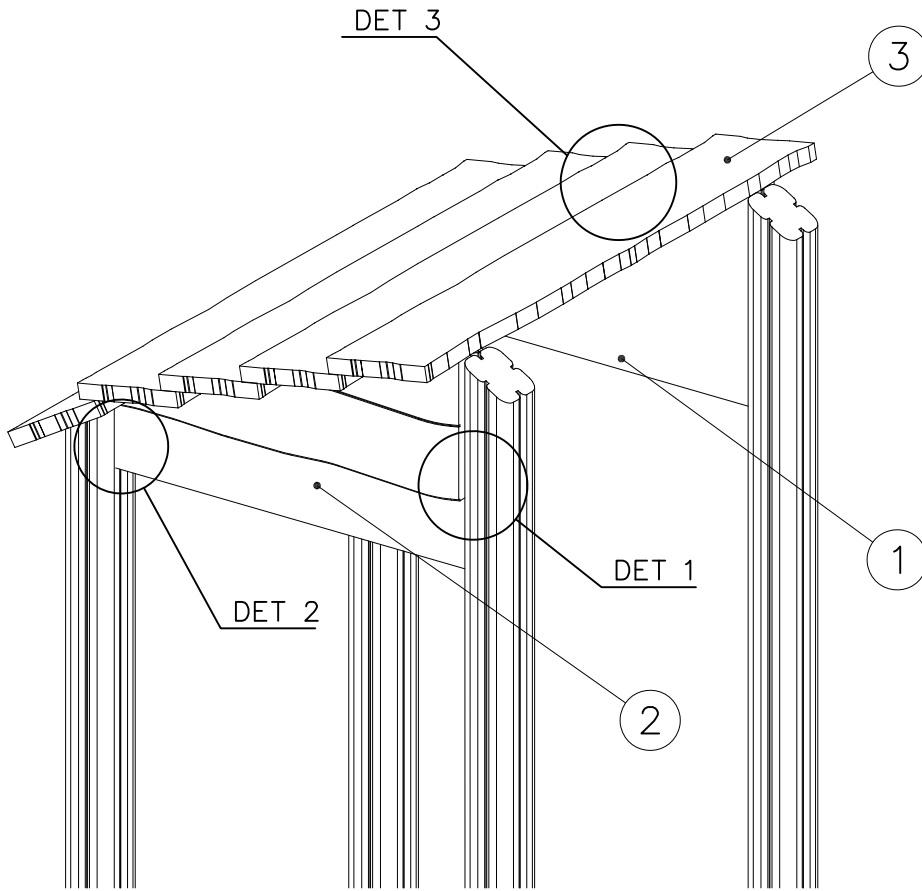
① 708879	PCS	② 903093	PCS
	1		12
705x940		Ø8x90	
③ 980123	PCS	④ 980128	PCS
	2		1
Ø7x60		Ø7x40	
	PCS		PCS
	PCS		PCS

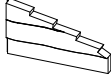
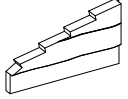


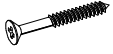
DET 1

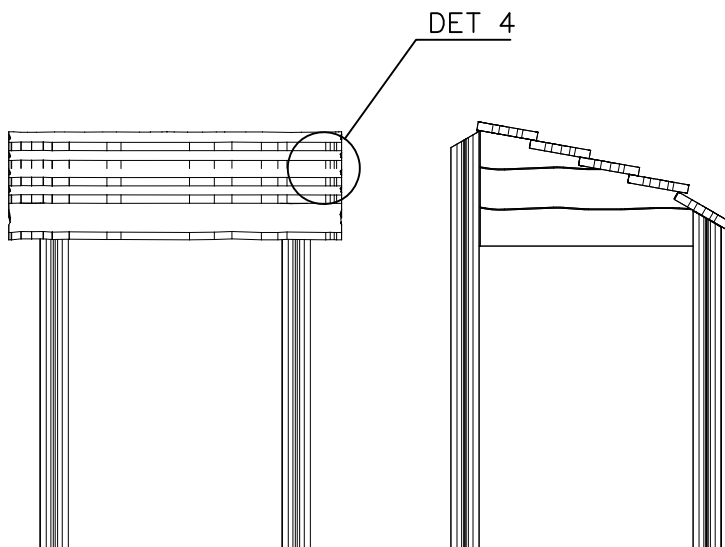


DET 2

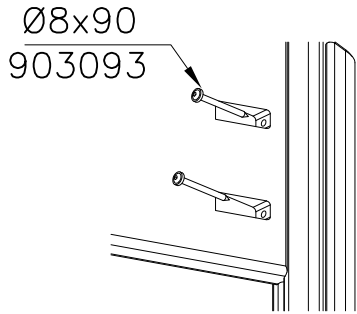




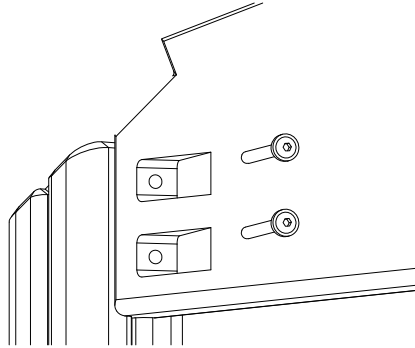
① 708696	PCS	② 708681	PCS
	1		1
68x385x725		68x385x725	
③ 708370	PCS	④ 903093	PCS
	5		8
28x200x1100		Ø8x90	
	PCS	⑤ 980100	PCS
			20
		Ø5x60	
	PCS		PCS
	PCS		PCS
	PCS		PCS



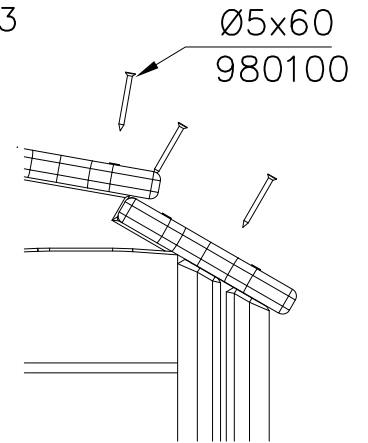
DET 1



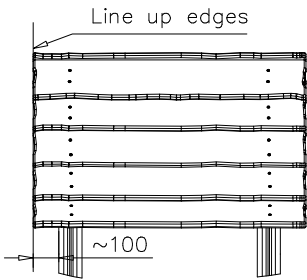
DET 2



DET 3



DET 4



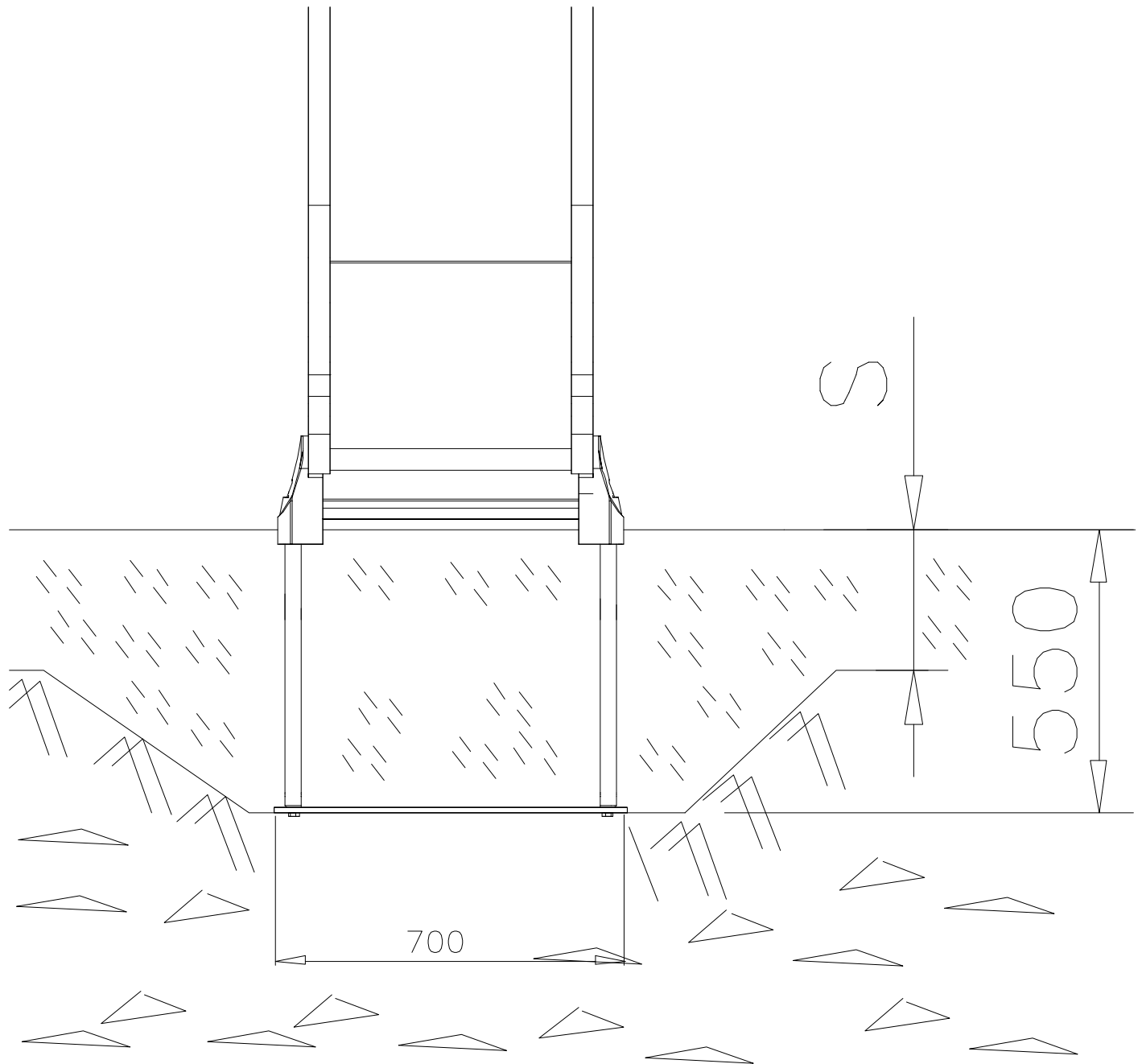
# LAPPSET

## DEEP FOUNDATION

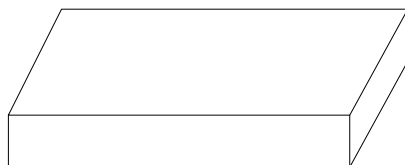
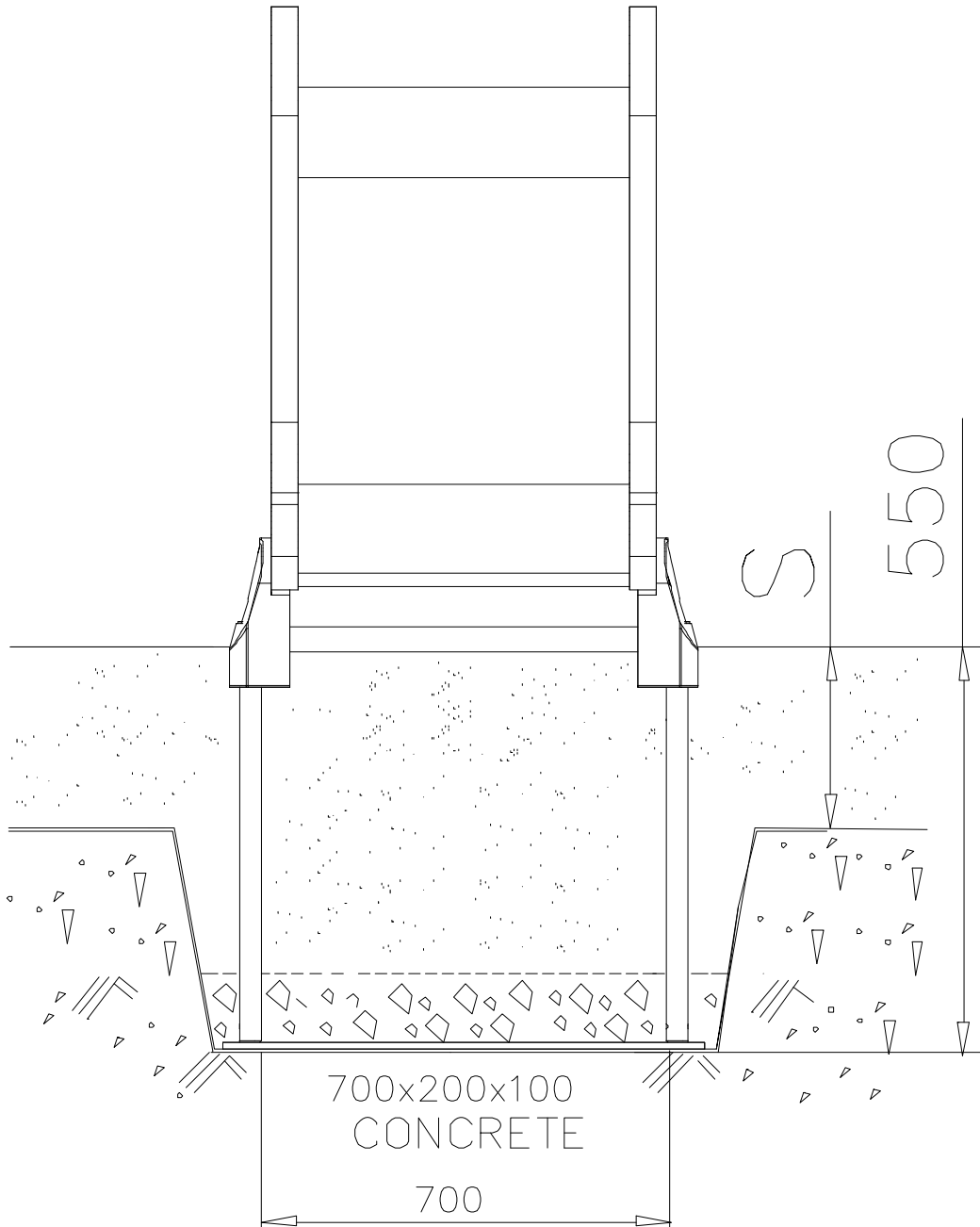
# SLIDE WOOD

DATE: 22.5.2015

1(1)





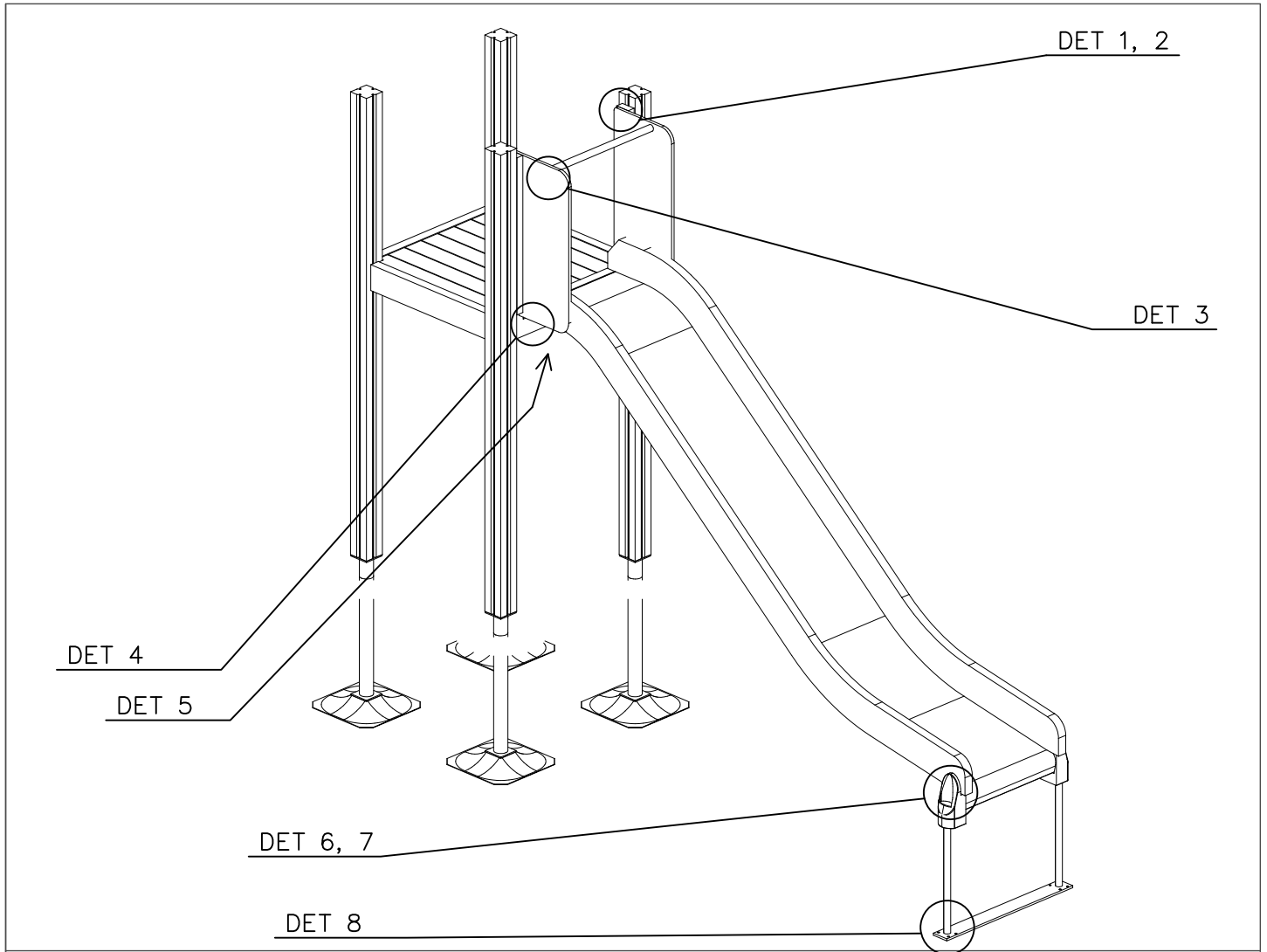


**LAPPSET®**  
**DEEP FOUNDATION**

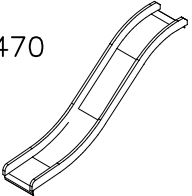
**705308**

DATE: 6.10.2023


**1(5)**


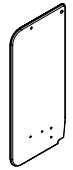

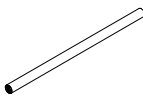
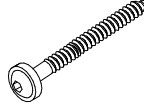
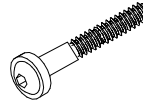
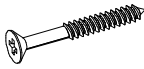
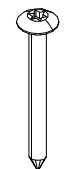



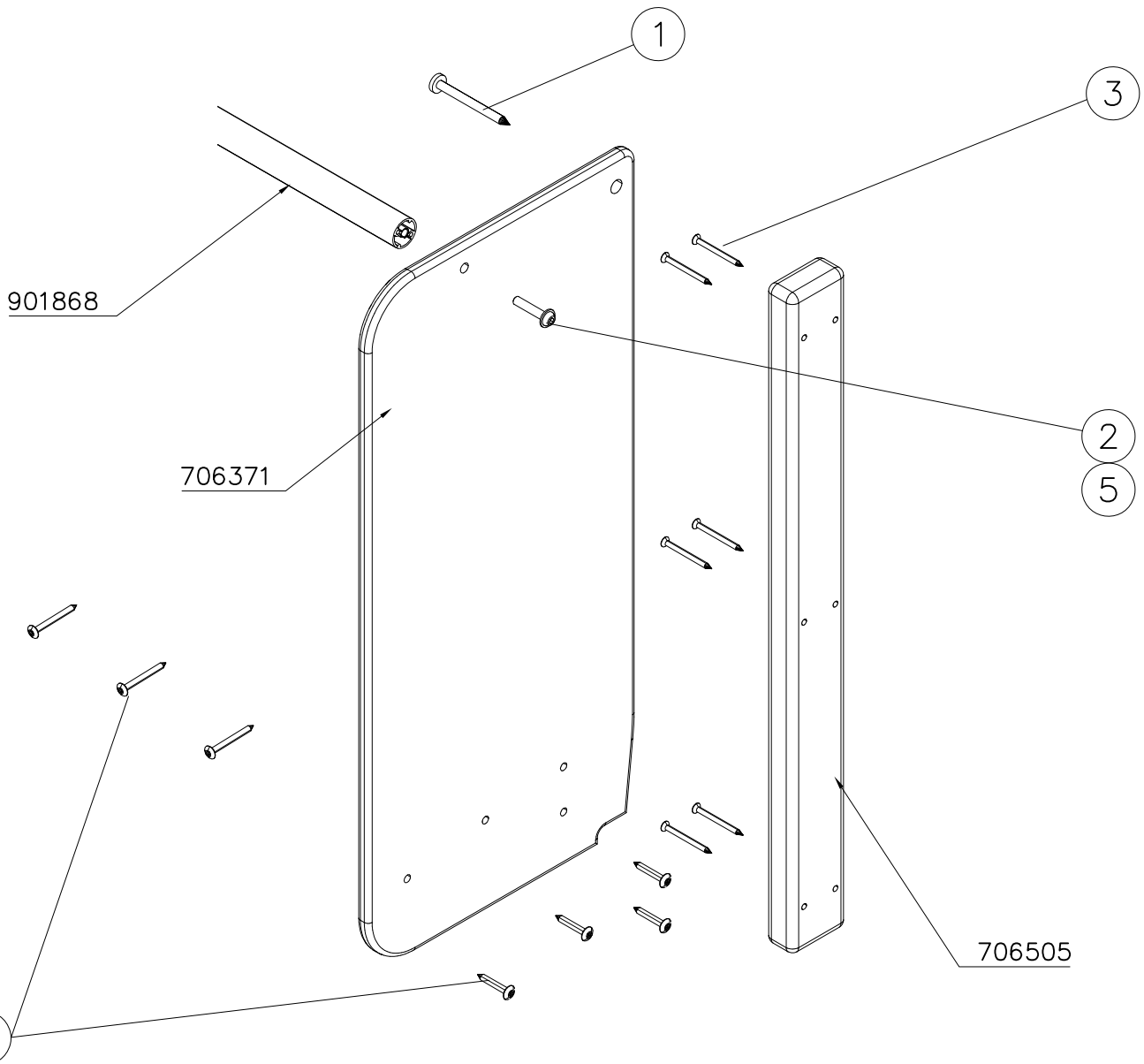
**SLIDE OPTIONS**

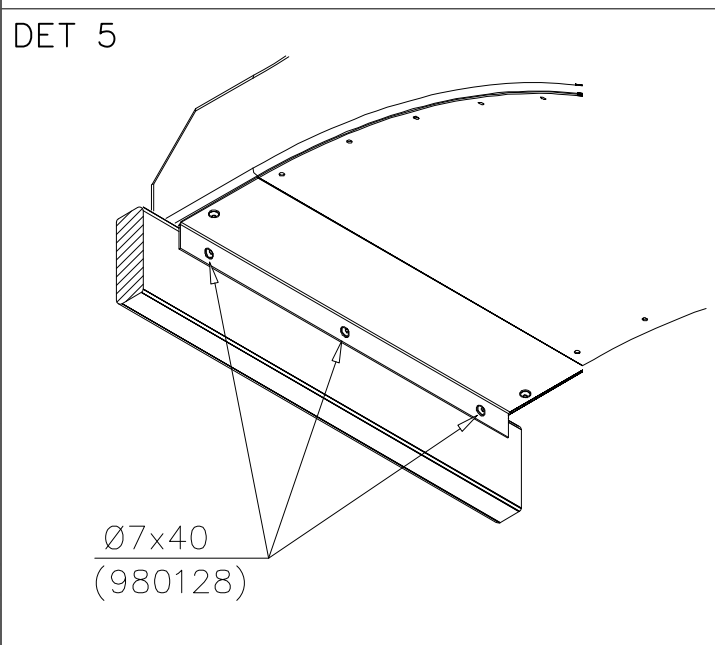
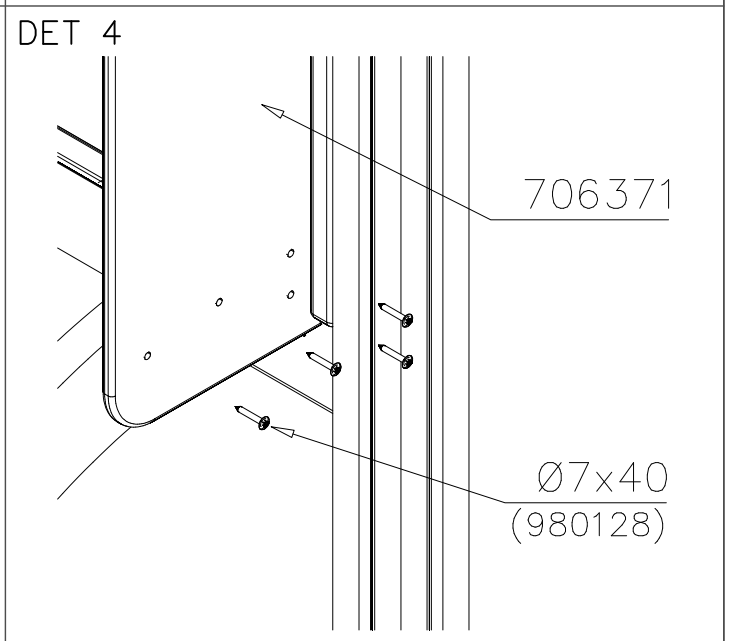
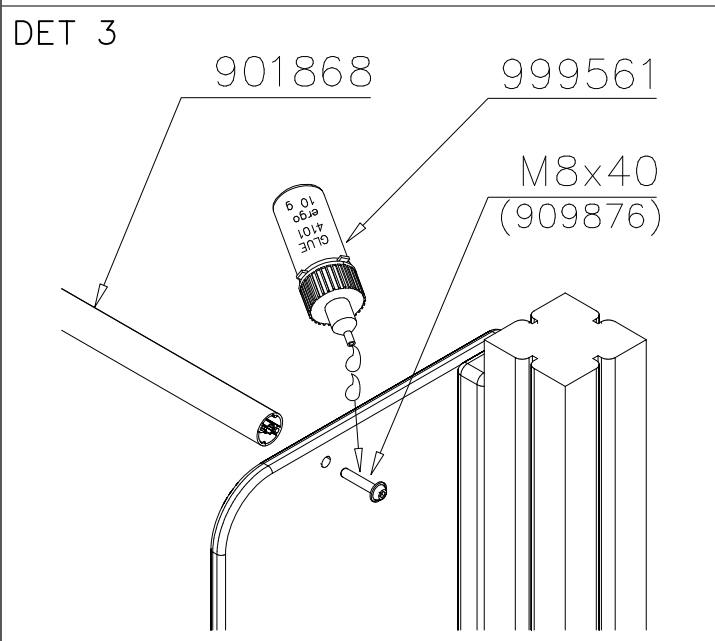
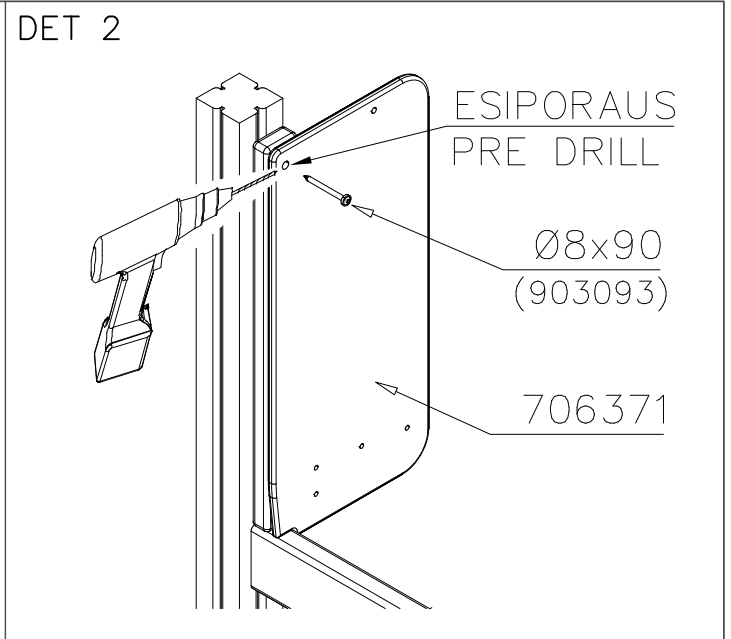
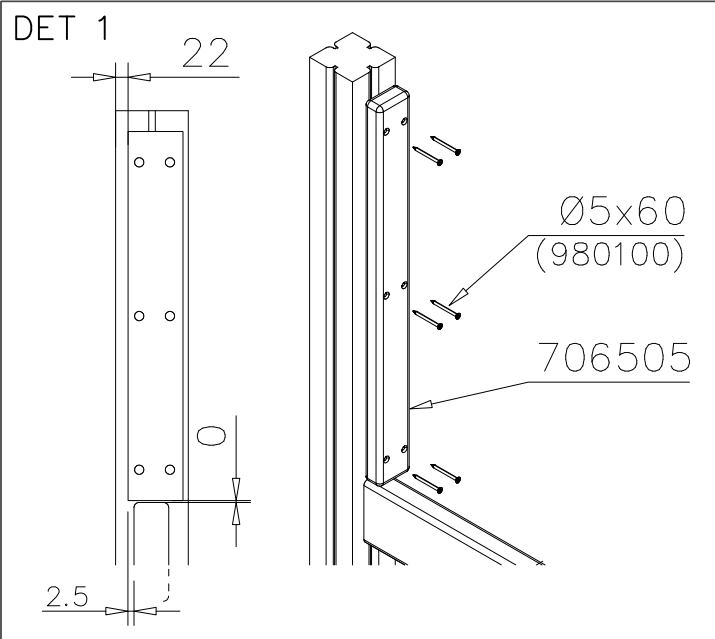
<p>+1470</p> 	<p>705307-001 NATURAL          705307-614 FLORA BROWN</p>	

**WALL OPTIONS**

<p>706371</p> 	<p>706371-707 GREEN</p>	
---	-------------------------	--

○ SLIDE	PCS	○ 706371	PCS	○ 706505	PCS	○ 901868	PCS	① 903093	PCS	② 909876	PCS
	1		2		2		1		2		2
+1470		15x345x750		35x70x730		Ø34x598		Ø8x90		M8x40	
③ 980100	PCS	④ 980128	PCS	⑤ 999561	PCS						
	12		11		1						
Ø5x60		Ø7x40		10g							





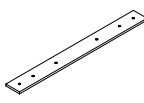
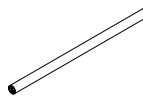

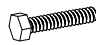
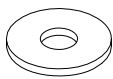
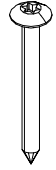
# LAPPSET

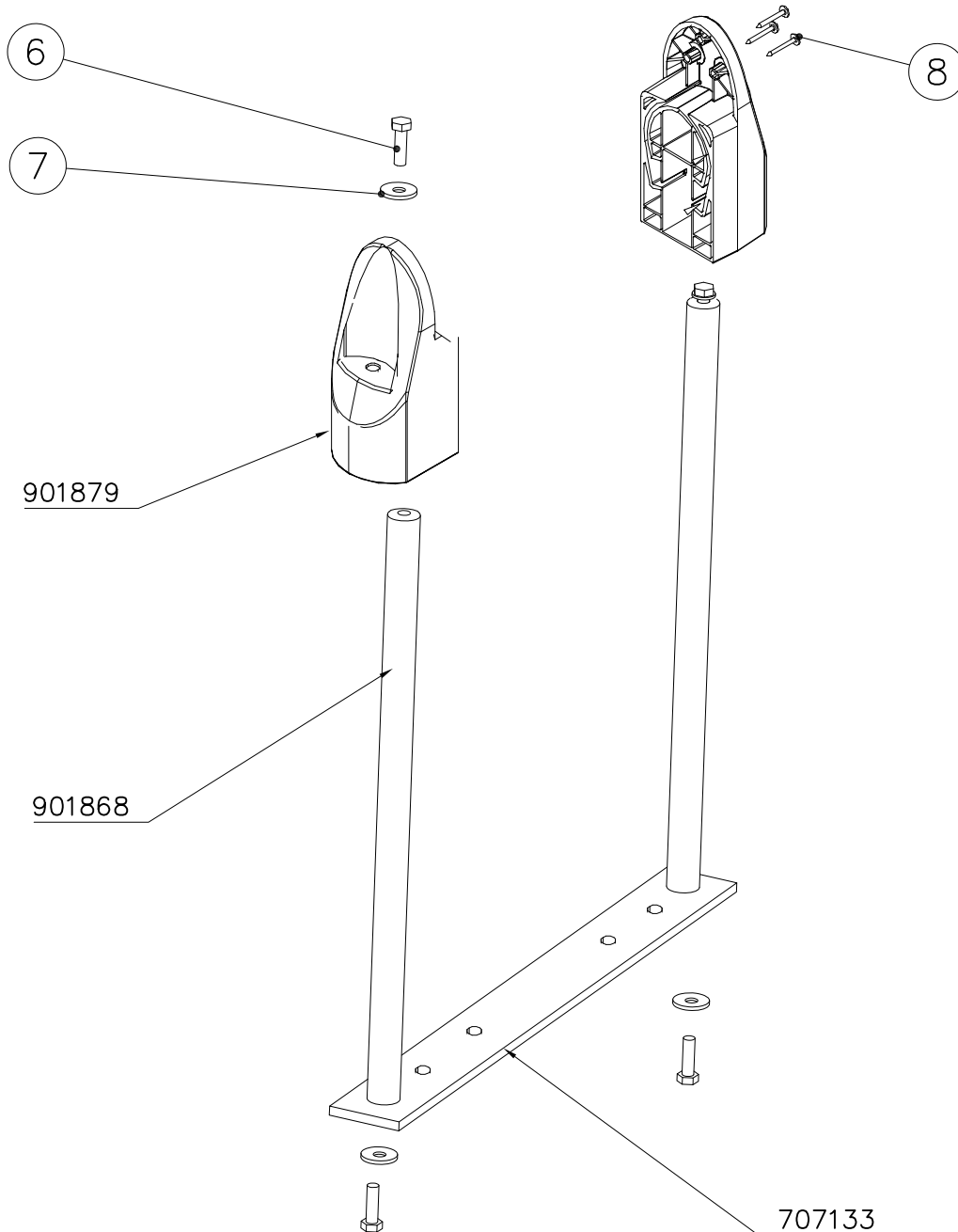
## DEEP FOUNDATION

# 705308

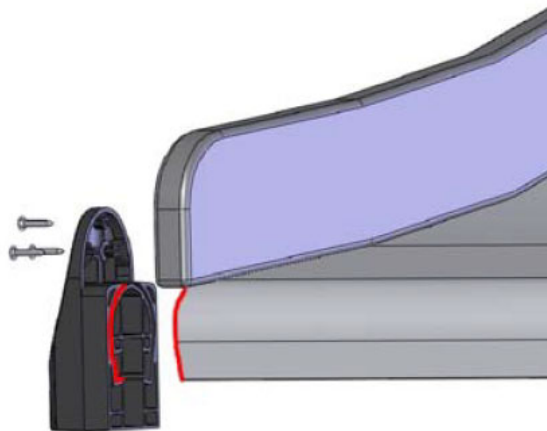
DATE: 6.10.2023

4(5)

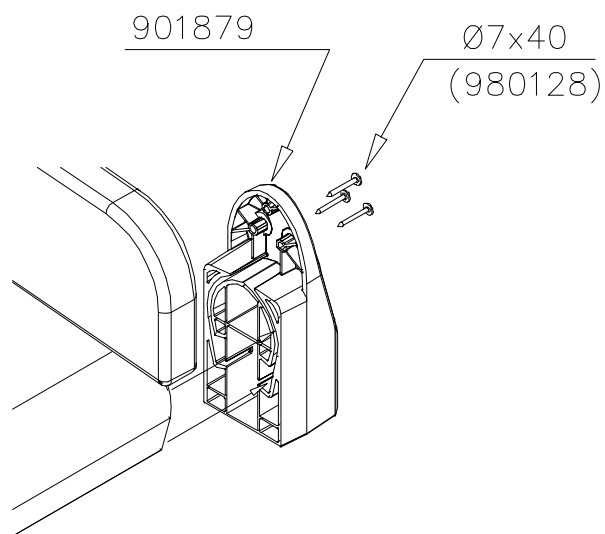
○ 707133	PCS	○ 901868	PCS	○ 901879	PCS	⑥ 909210	PCS	⑦ 905051	PCS	⑧ 980128	PCS
	1		2		2		4		4		6
10x80x745		Ø30x598				M8x40		Ø24/8.4		Ø7x40	



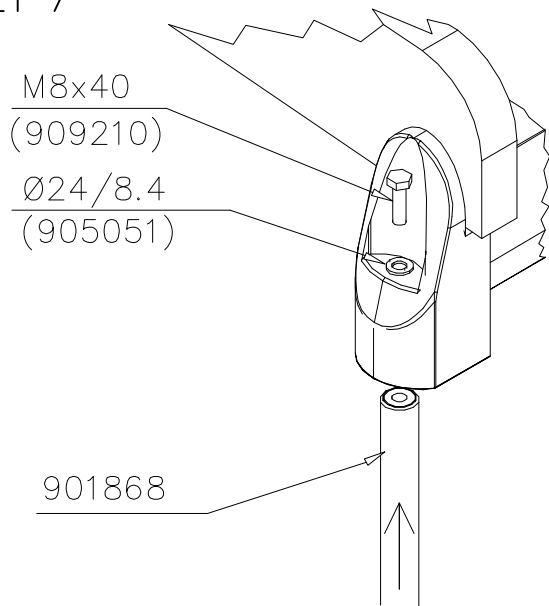
DET 6



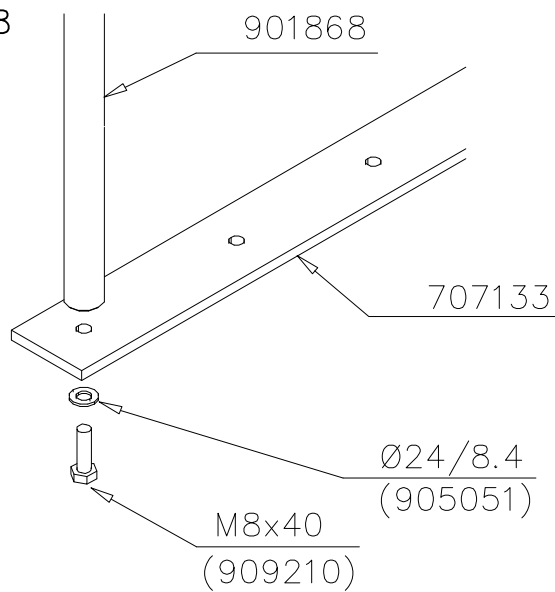
Insert sheet metal IN to the plastic cover.

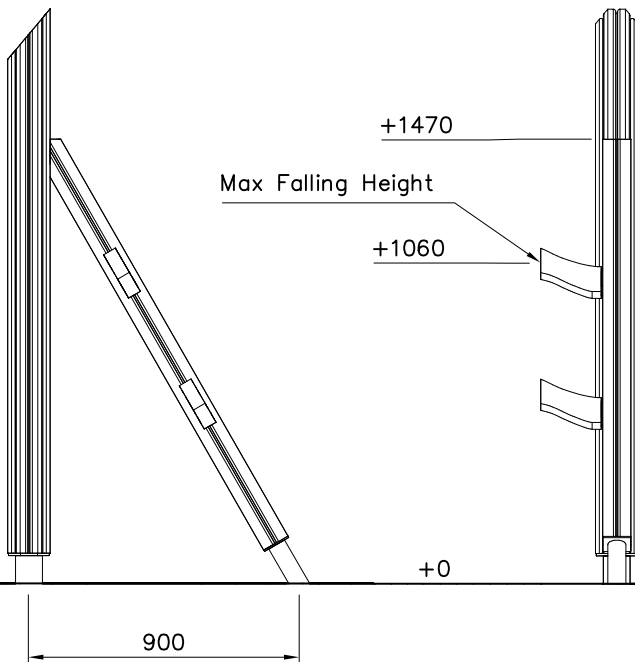
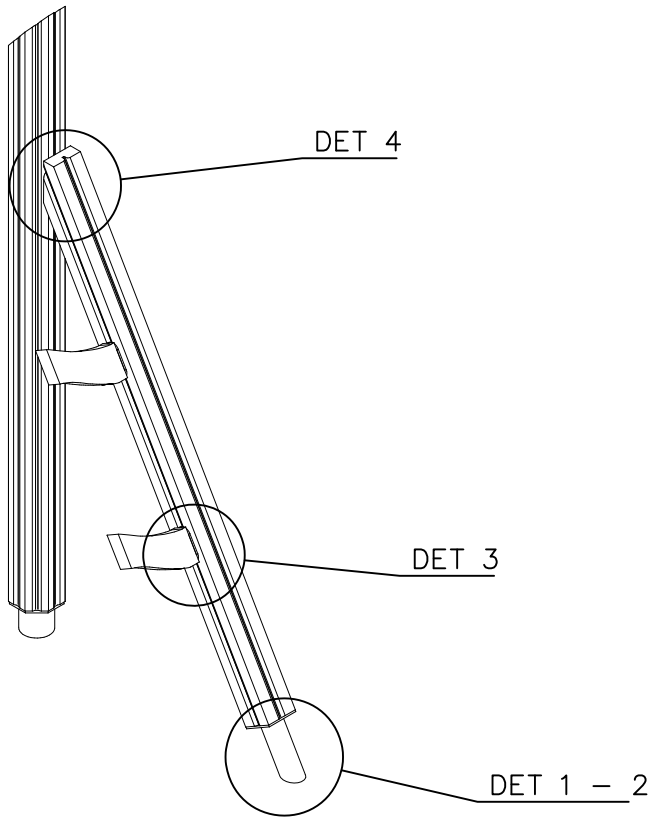


DET 7



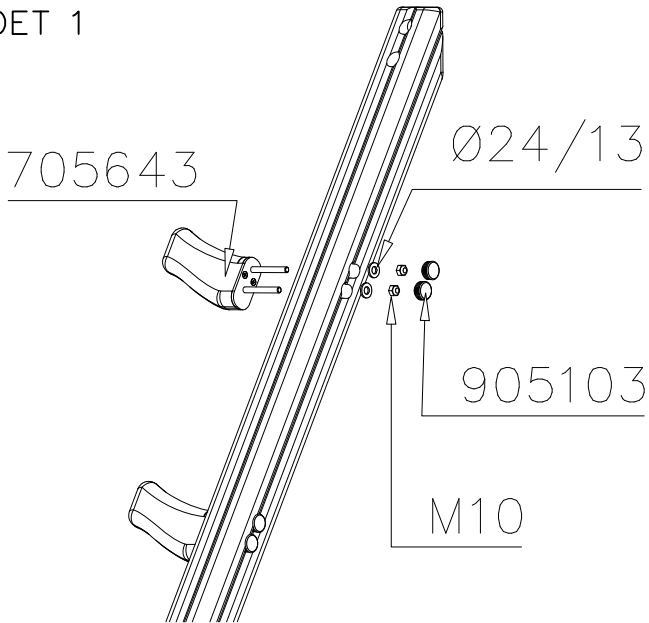
DET 8



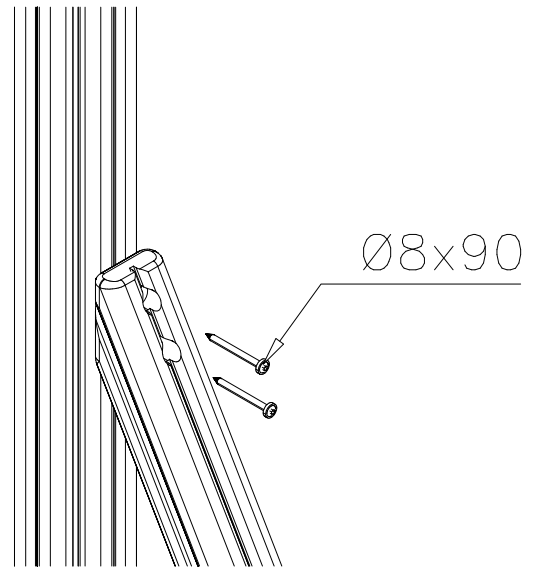


① 705643	PCS	② 705817	PCS
	2		1
45x102x243		93x93x1527	
③ 905103	PCS	④ 905104	PCS
	4		4
PT-28/32-H		M10	
⑤ 905051	PCS	⑥ 909637	PCS
	4		4
Ø24/8.4		M10	
	PCS	⑦ 903093	PCS
			2
		Ø8x90	
	PCS		PCS
	PCS		PCS
○ 909521	PCS	○ 701899	PCS
	1		1
	PCS		PCS

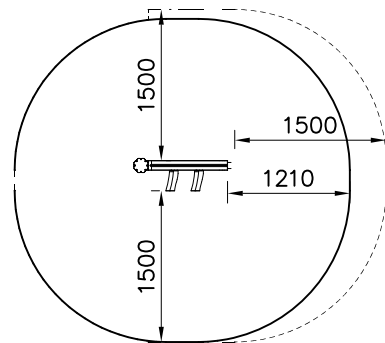
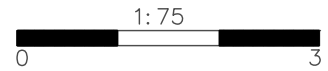
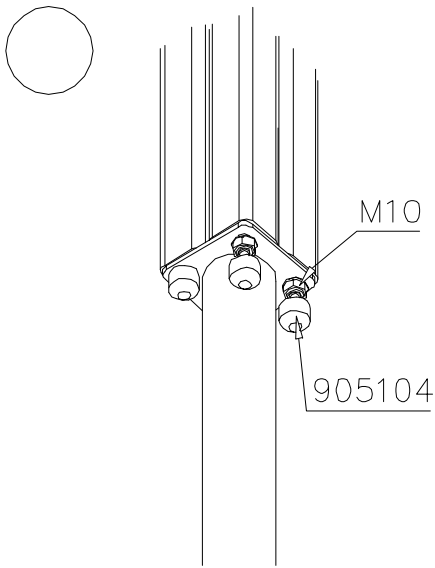
DET 1



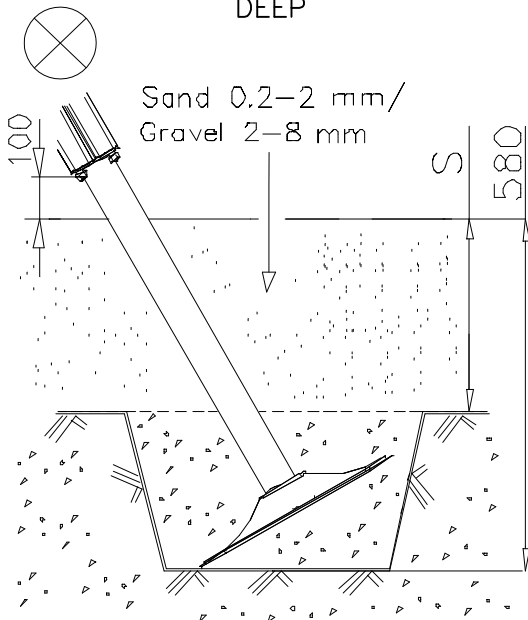
DET 2



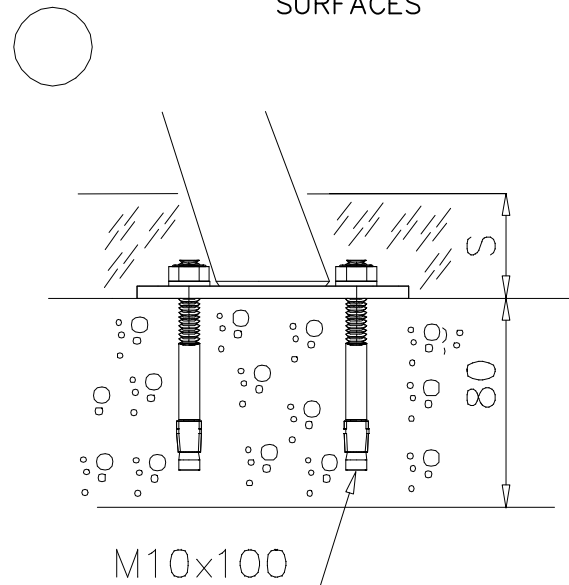
DET 3



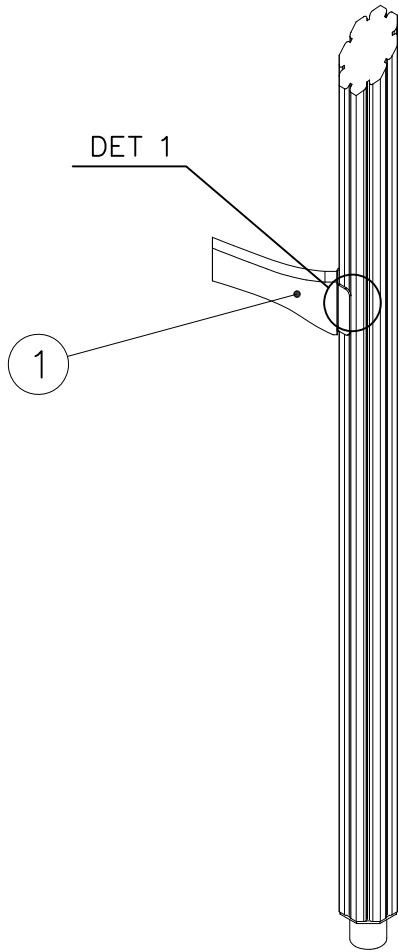
DEEP

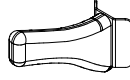
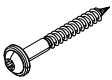


SURFACES







① 705789	PCS	② 900240	PCS
	1		8
45x120x333		Ø8x70	
	PCS		PCS
	PCS		PCS
	PCS		PCS
	PCS		PCS
	PCS		PCS

