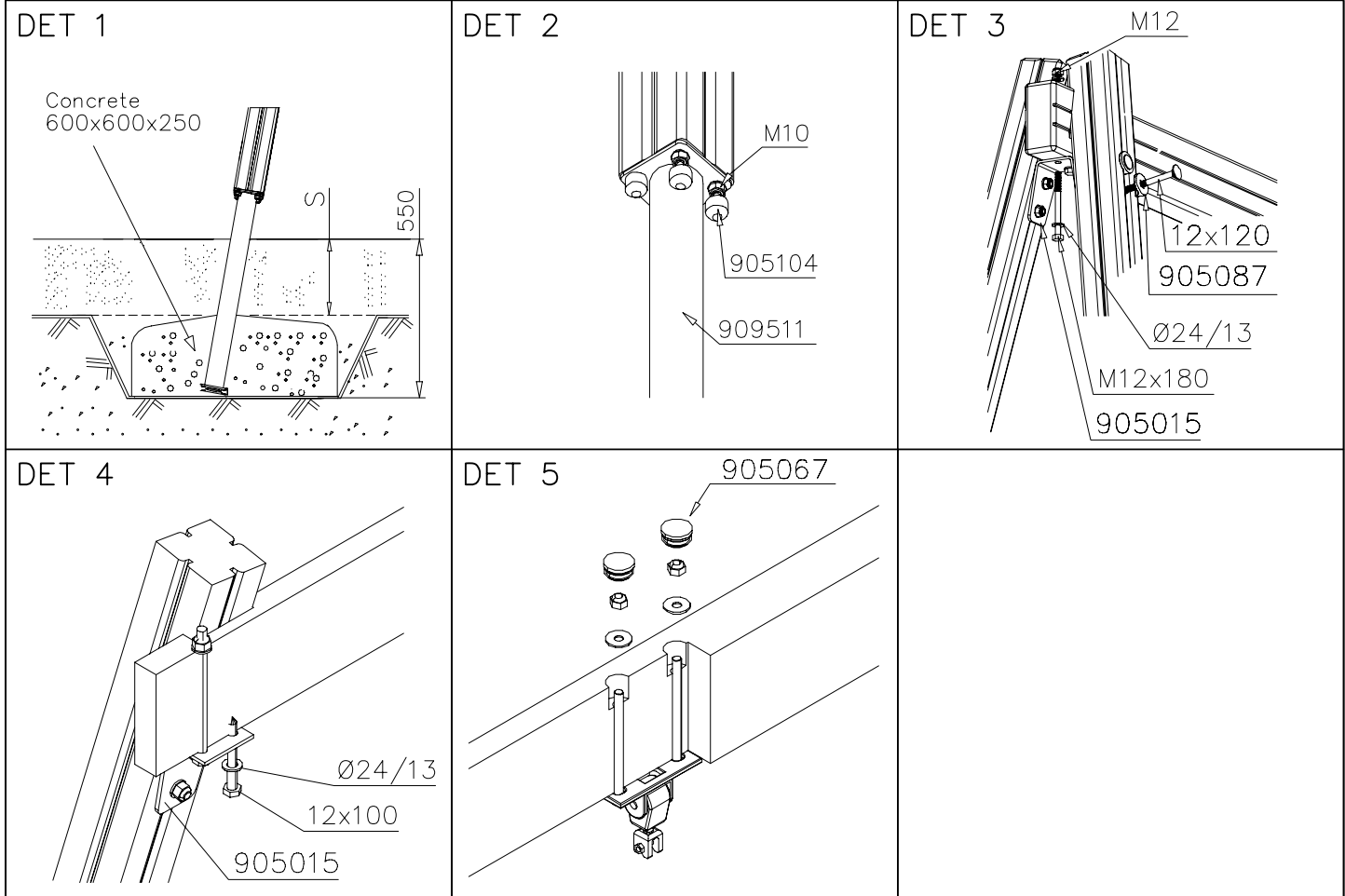


① 702738	PCS 4	② 703286	PCS 1
		70x145x3200	
③ 703351	PCS 4	④ 905015	PCS 2
93x93x2650			
⑤ 905067	PCS 8	⑥ 905087	PCS 8
S35H			
⑦ 905104	PCS 16	⑧ 909110	PCS 8
M10		M12x120	
⑨ 909136	PCS 2	⑩ 909224	PCS 2
M12x180		12x100	
⑪ 909248	PCS 10	⑫ 909511	PCS 4
M12		90x90x650	
⑬ 980154	PCS 14	⑭ 902487	PCS 1
Ø24/13		65x65	
⑮ 702286	PCS 1	⑯ 909506	PCS 4
90x50		Ø3,5x13	



EN Impact Area 32 m2

