

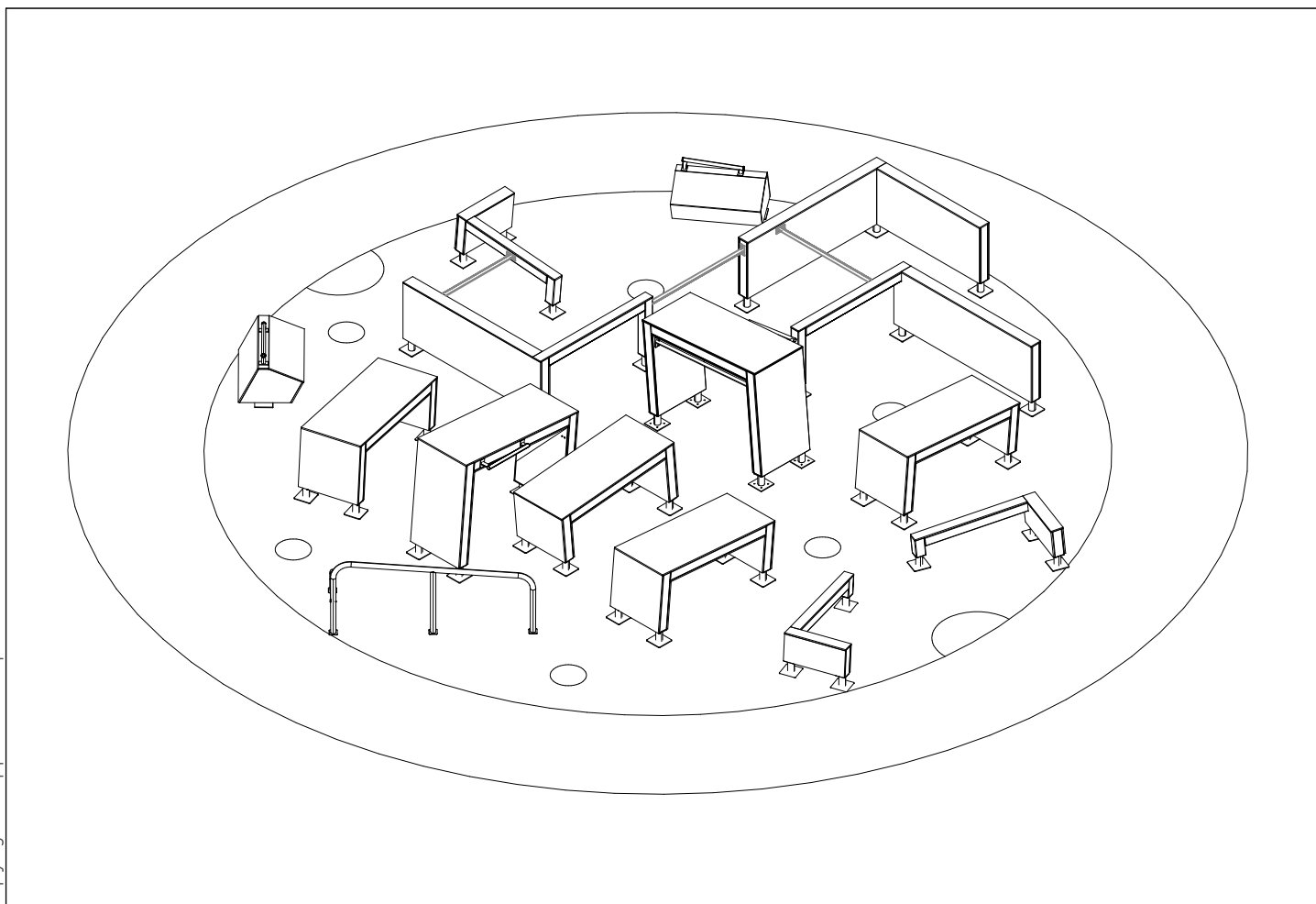
# **LAPPSET®**

## **DASH PARKOUR**

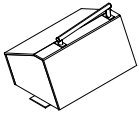
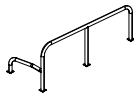
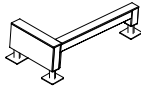
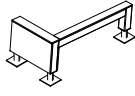
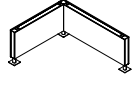
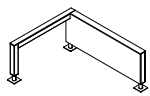






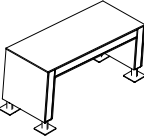
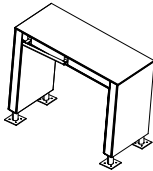
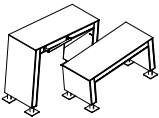
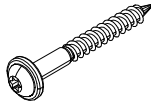





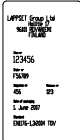
ASENNUSOHJE  
MONTERINGSANSVISNING  
INSTALLATION INSTRUCTION  
AUFBAUANLEITUNG  
NOTICE D'INSTALLATION

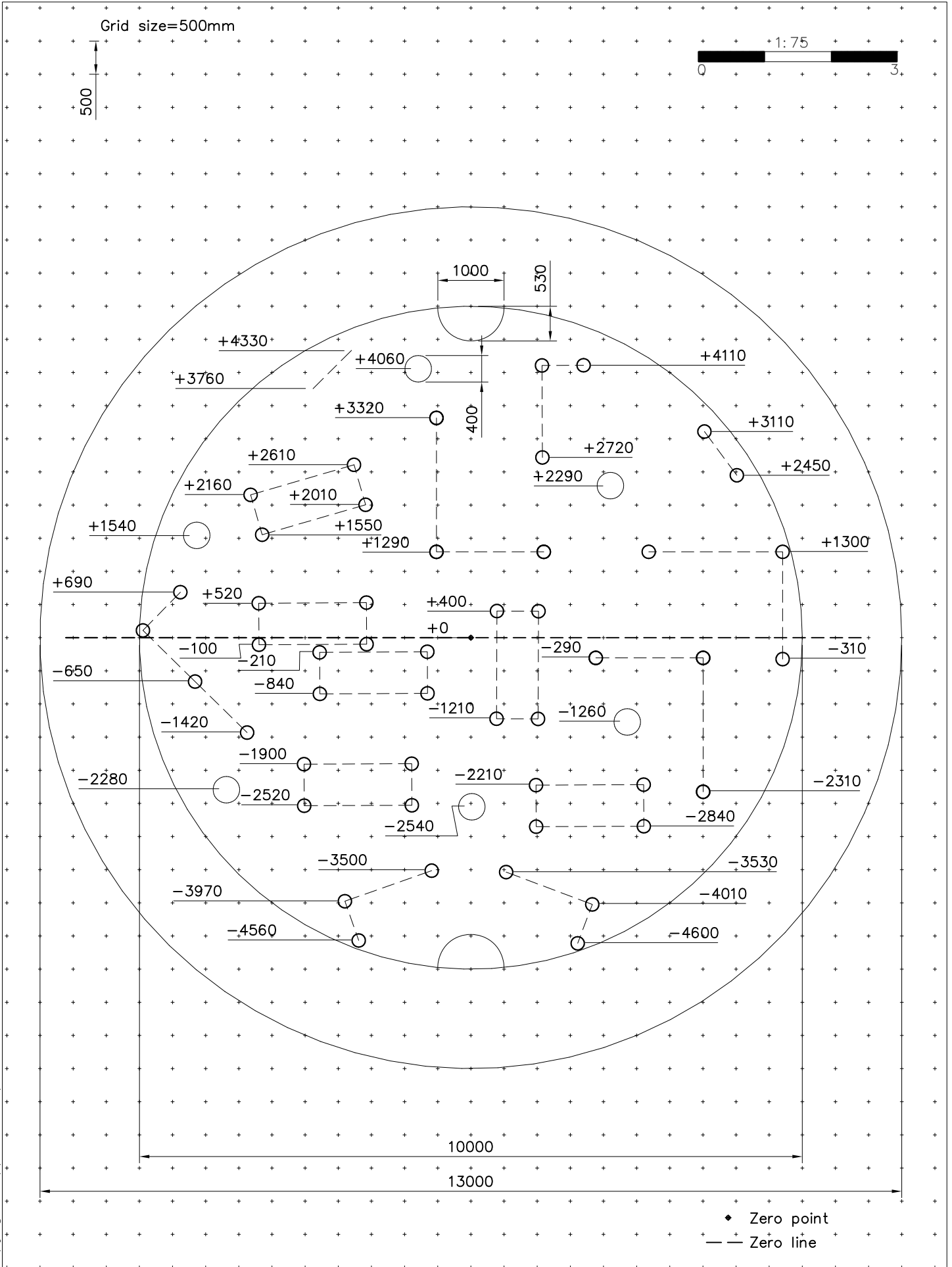
DATE: 8.9.2020

### **081791M**

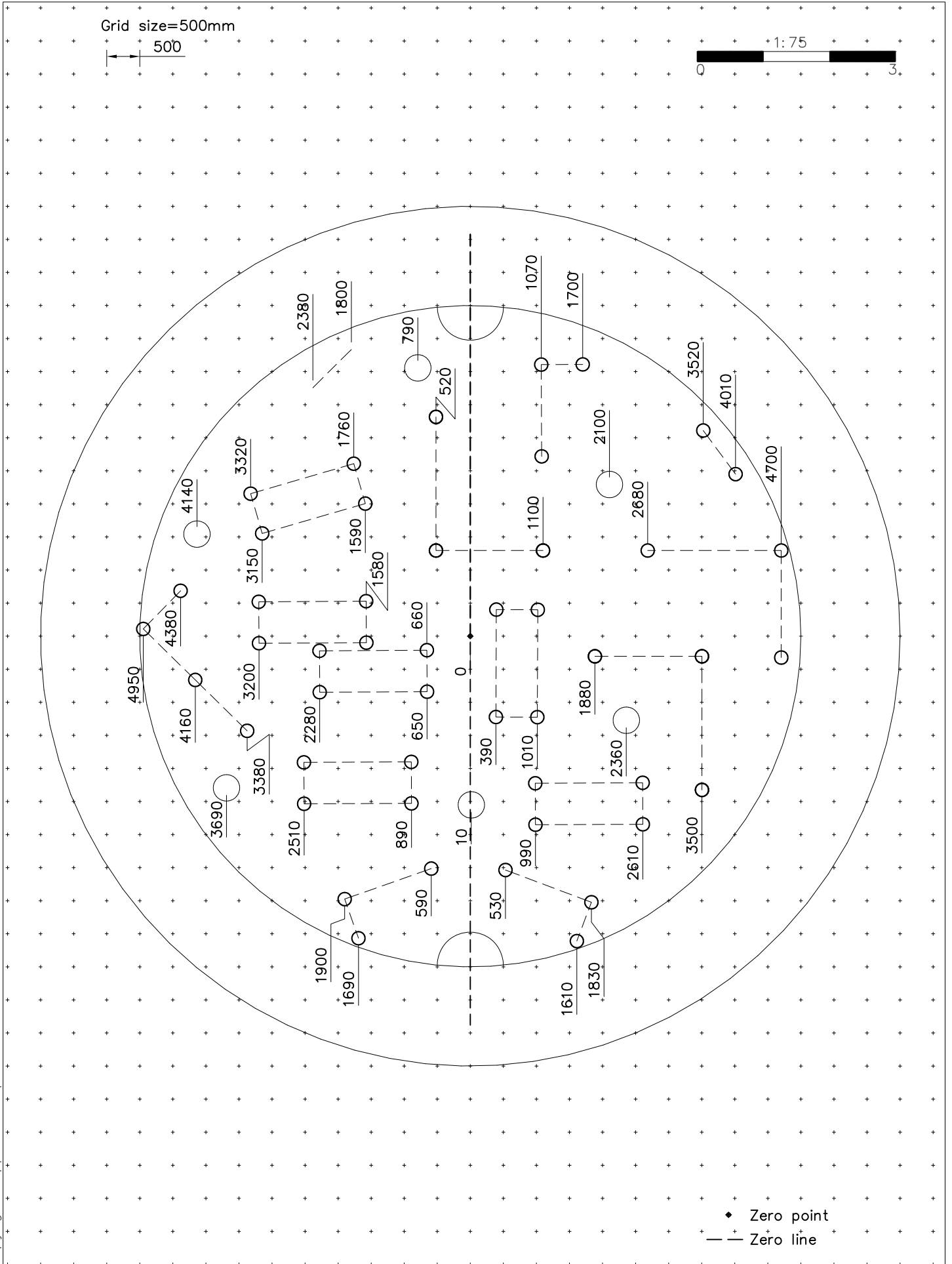
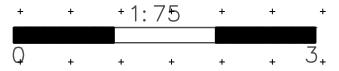
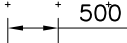


DATE: 8.9.2020

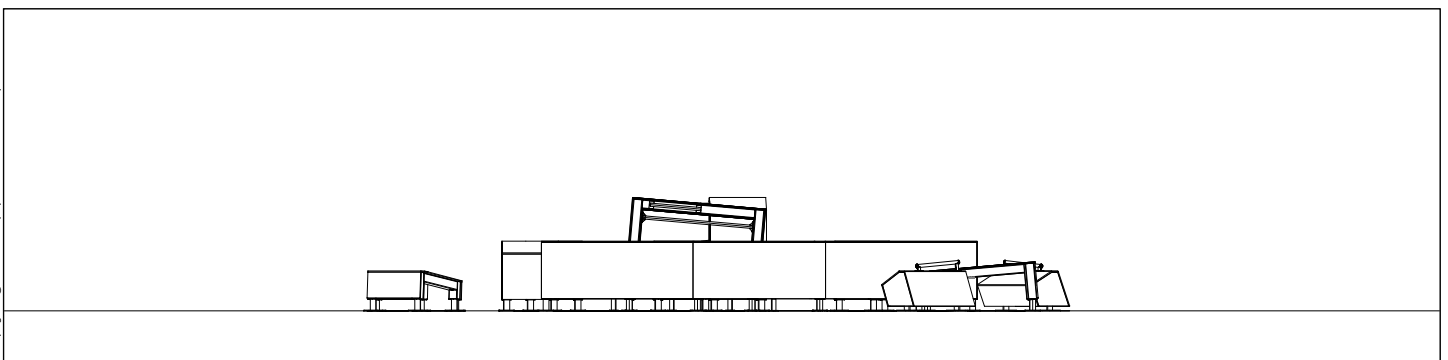
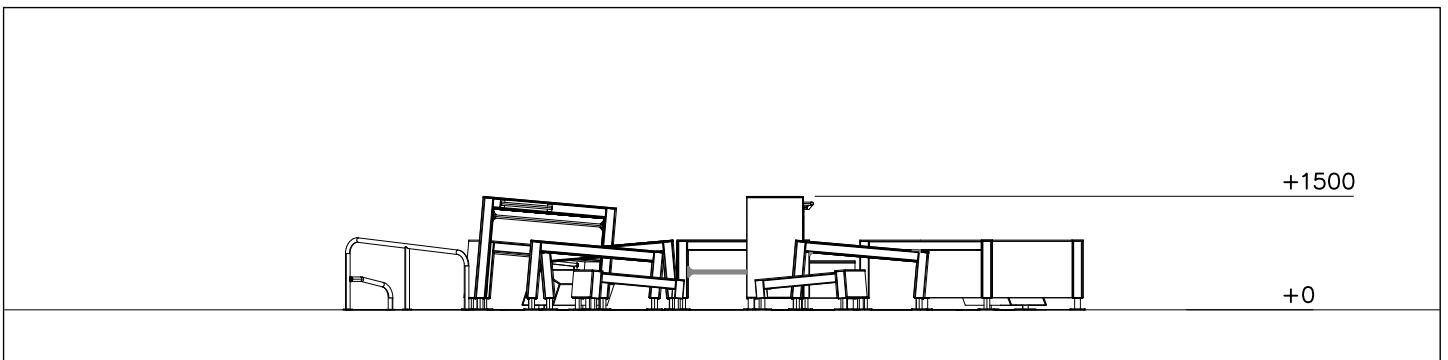
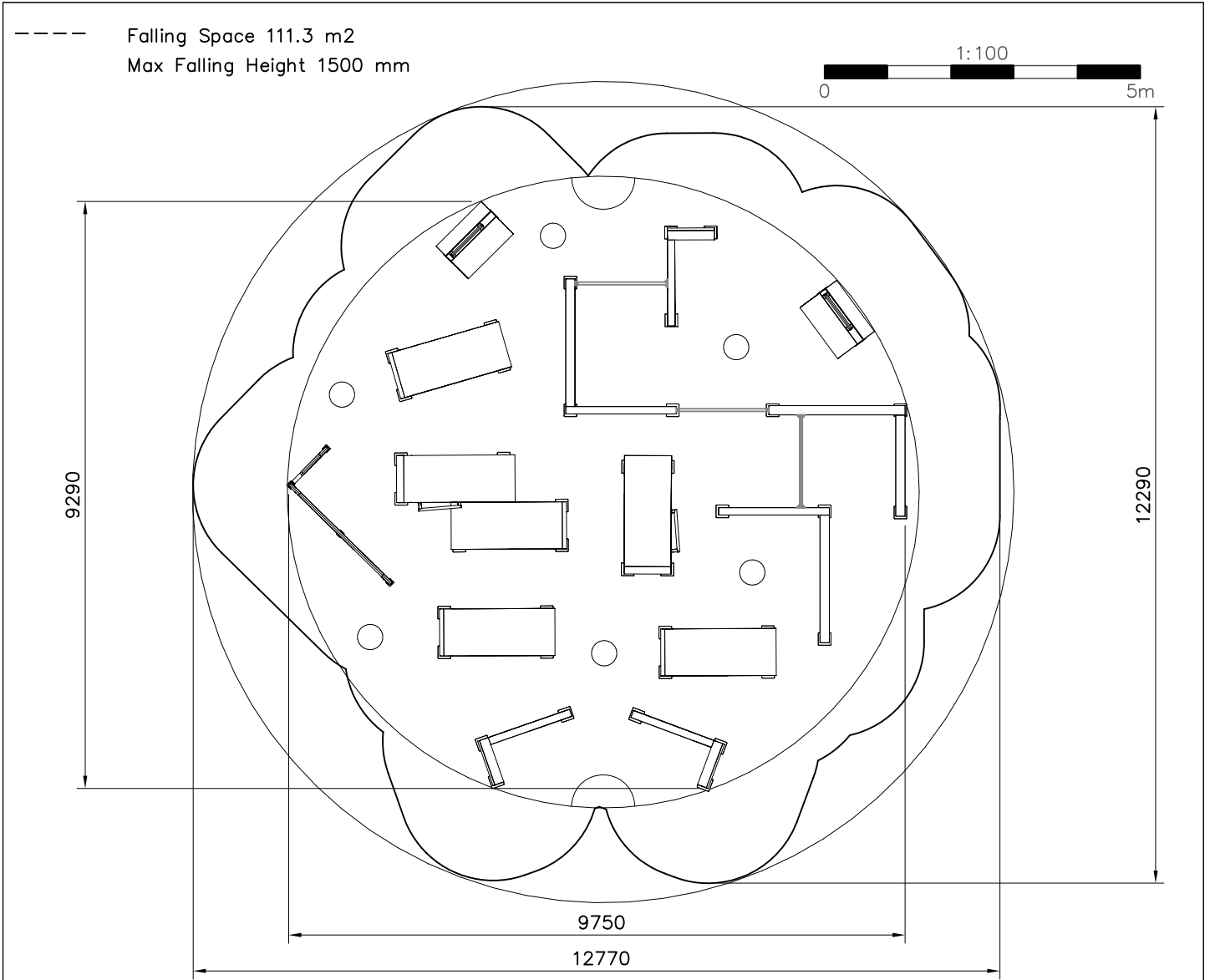
|   |          |   |          |   |          |   |           |   |          |   |          |
|---|----------|---|----------|---|----------|---|-----------|---|----------|---|----------|
| 081702M   | PCS<br>2 | 081712M   | PCS<br>1 | 081720M   | PCS<br>2 | 081721M   | PCS<br>1  | 081722M   | PCS<br>1 | 081723M   | PCS<br>2 |
|  |          |  |          |  |          |  |           |  |          |  |          |
|  |          |  |          |  |          |  |           |  |          |  |          |
| 081730M   | PCS<br>3 | 081731M   | PCS<br>1 | 081735M   | PCS<br>1 | 900240  | PCS<br>24 | 910328  | PCS<br>2 | 910513  | PCS<br>1 |
|  |          |  |          |  |          |  |           |  |          |  |          |
|  |          |  |          |  |          | Ø8x70   |           | L 1466  |          | L 1466  |          |
| 702341  | PCS<br>1 |   | PCS      |   | PCS      |   | PCS       |   | PCS      |   | PCS      |
|  |          |   |          |   |          |   |           |   |          |   |          |
| 90x50   |          |   |          |   |          |   |           |   |          |   |          |
|   | PCS      |   | PCS      |   | PCS      |   | PCS       |   | PCS      |   | PCS      |
|   |          |   |          |   |          |   |           |   |          |   |          |
|   | PCS      |   | PCS      |   | PCS      |   | PCS       |   | PCS      |   | PCS      |
|   |          |   |          |   |          |   |           |   |          |   |          |
|   | PCS      |   | PCS      |   | PCS      |   | PCS       |   | PCS      |   | PCS      |
|   |          |   |          |   |          |   |           |   |          |   |          |

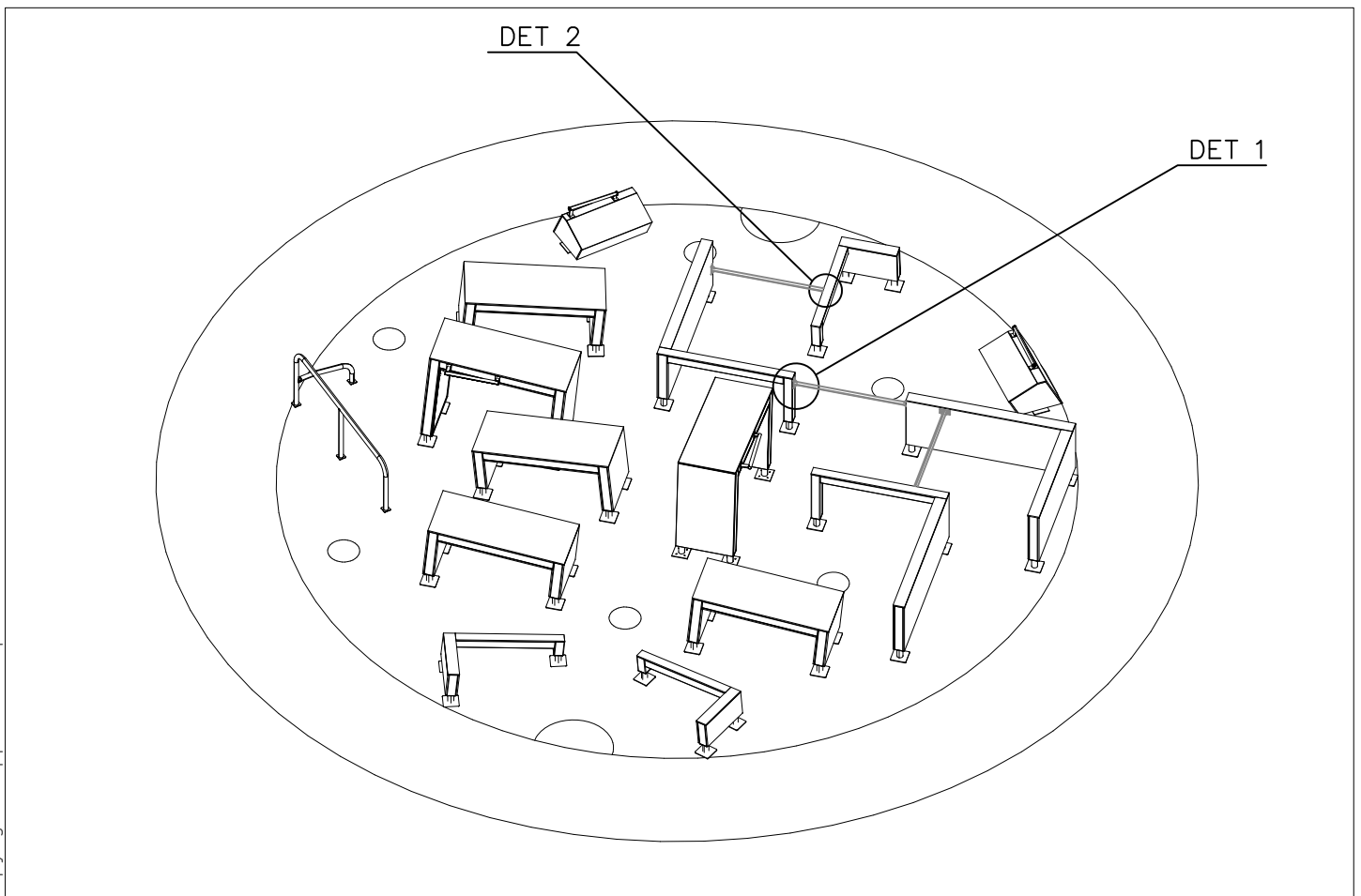
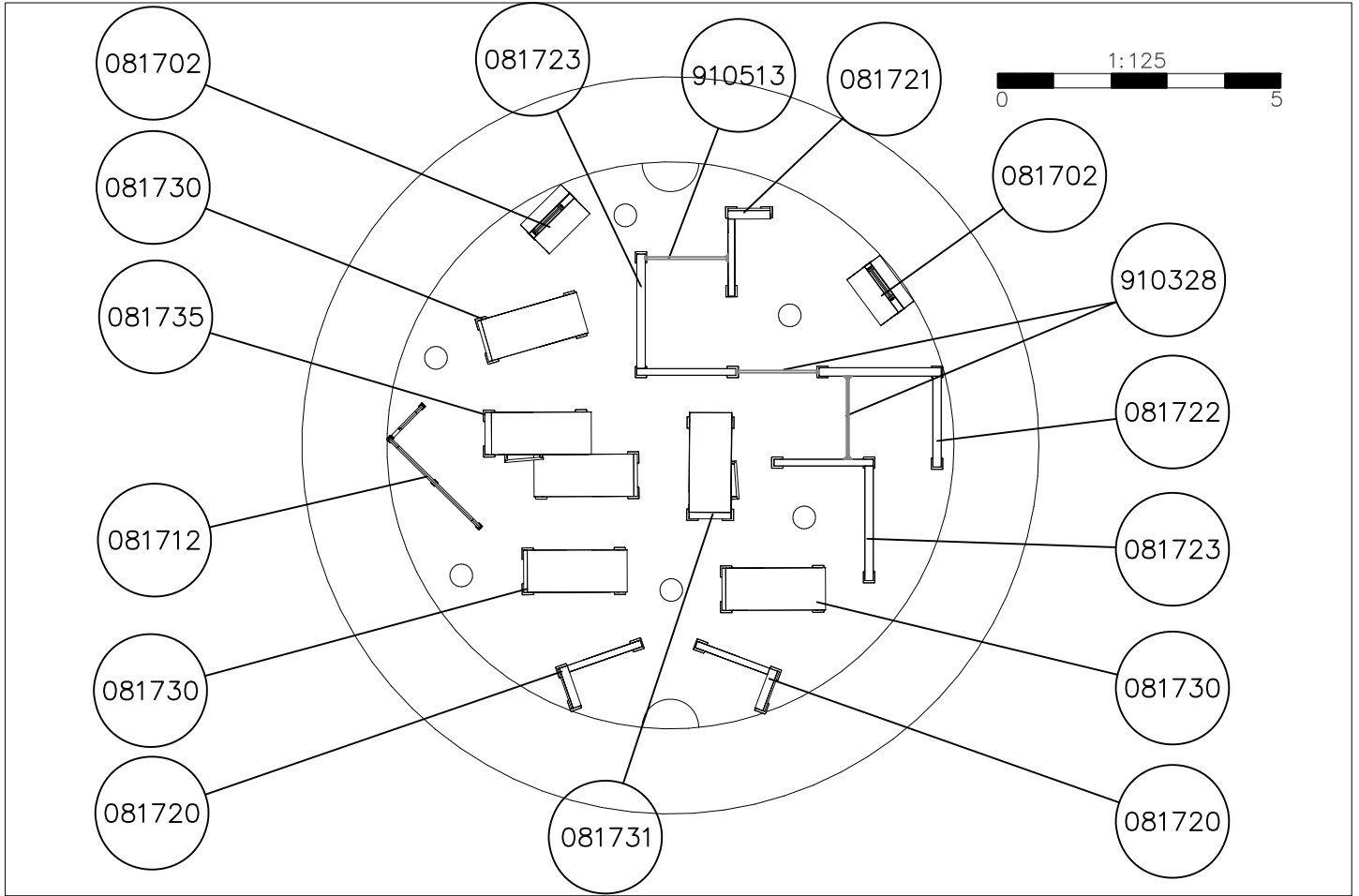


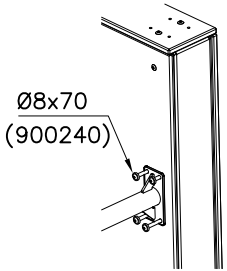
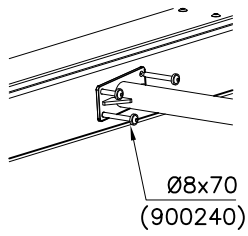
Grid size=500mm

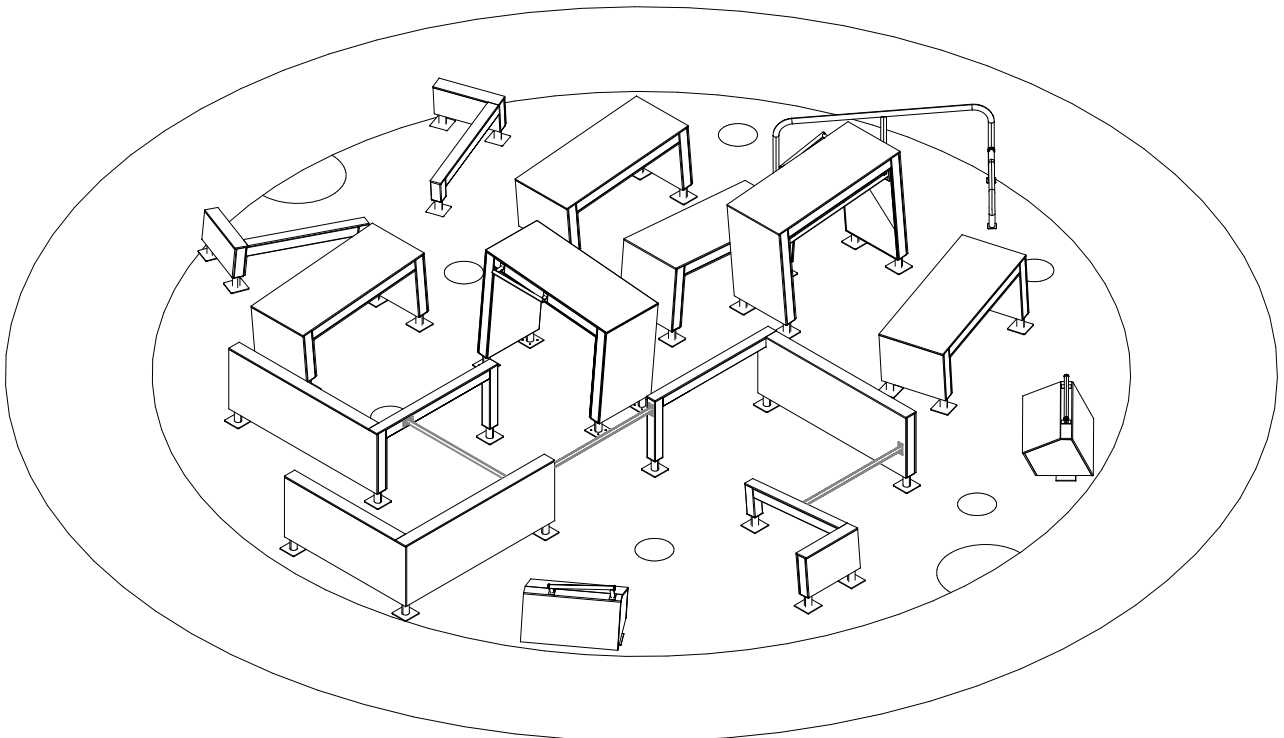
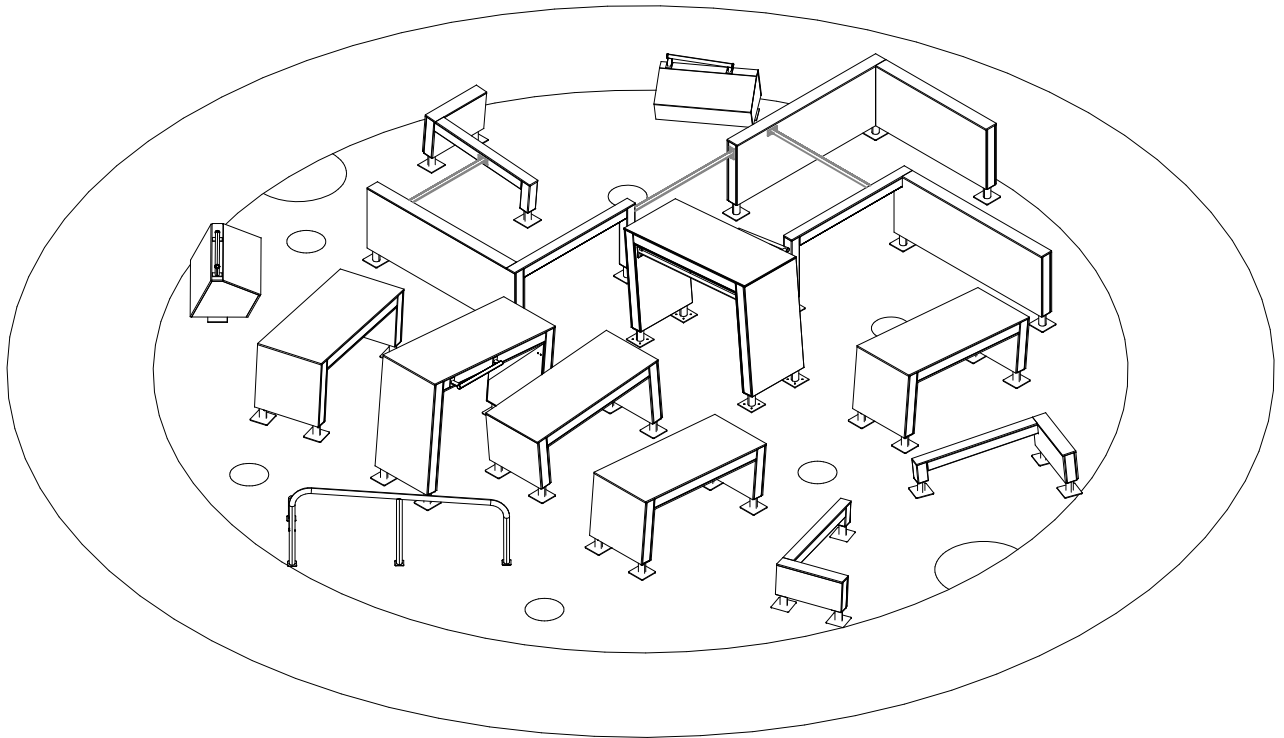


◆ Zero point  
 - - - Zero line

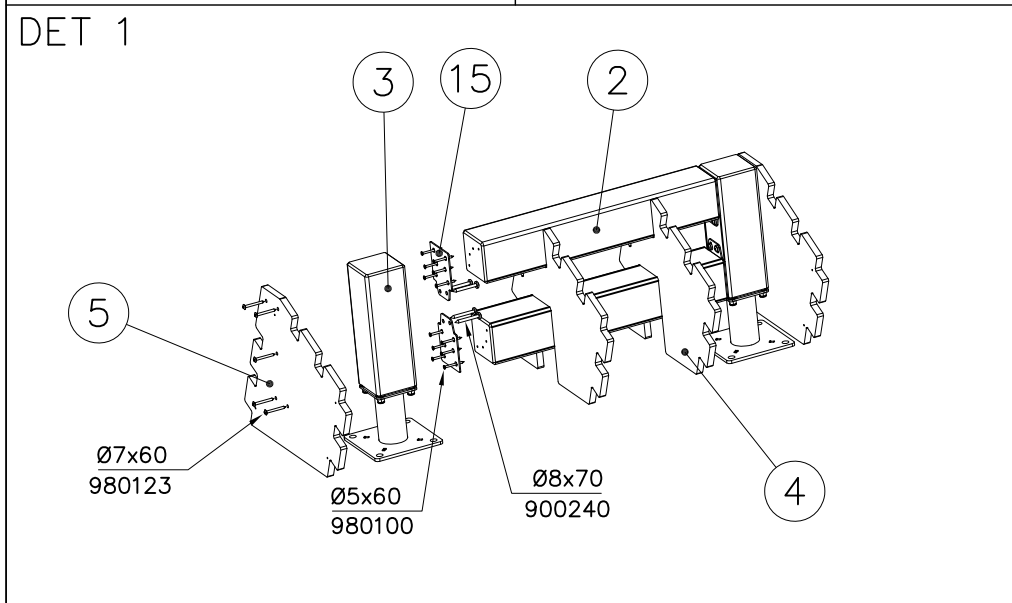
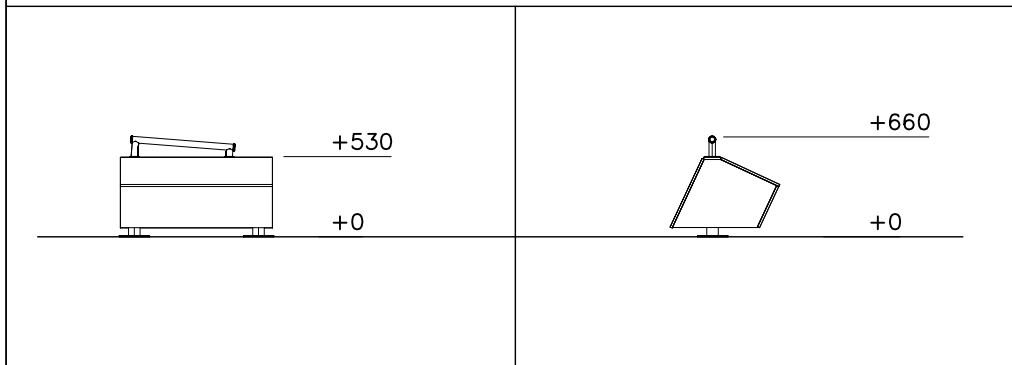
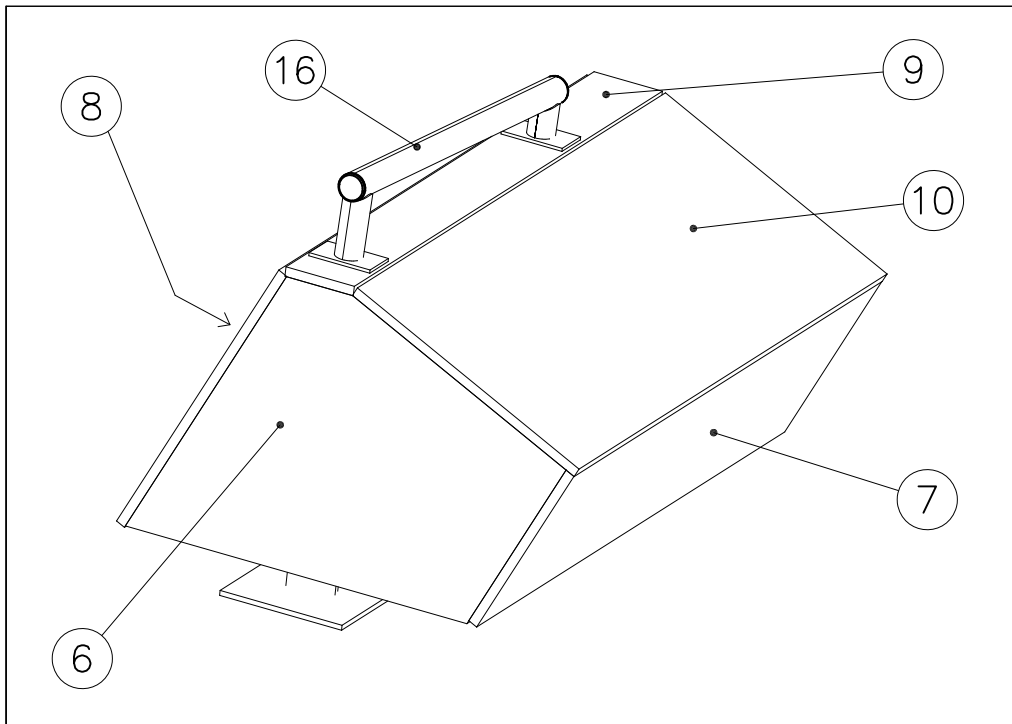




|   |  |  |  |
|---|--|--|--|
| <p>DET 1</p>  <p>Ø8x70<br/>(900240)</p> | <p>DET 2</p>  <p>Ø8x70<br/>(900240)</p> |  |  |
|   |  |  |  |
|   |  |  |  |
|   |  |  |  |
|   |  |  |  |

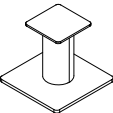



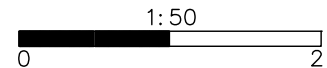
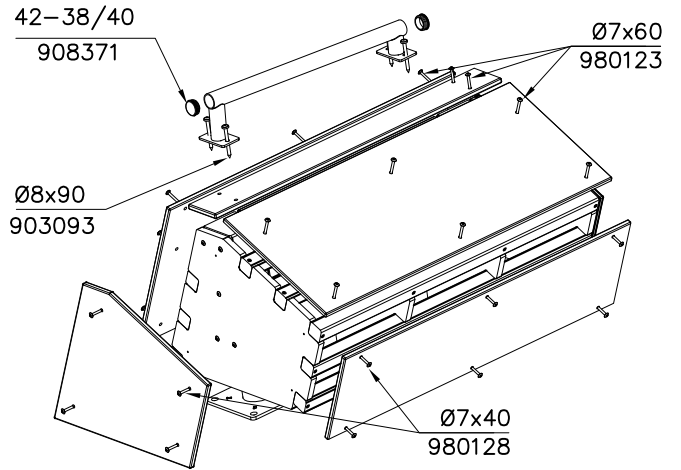
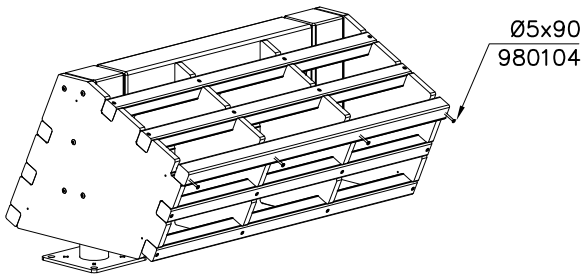
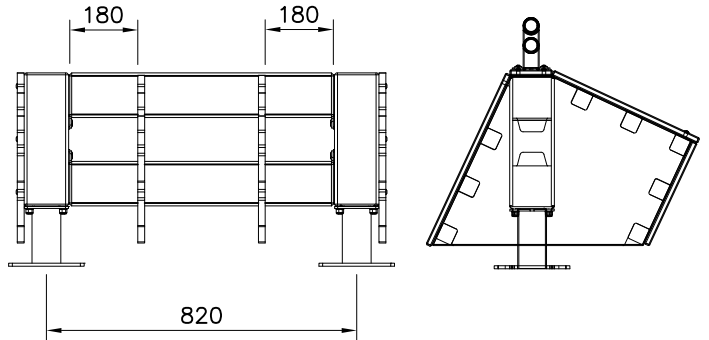




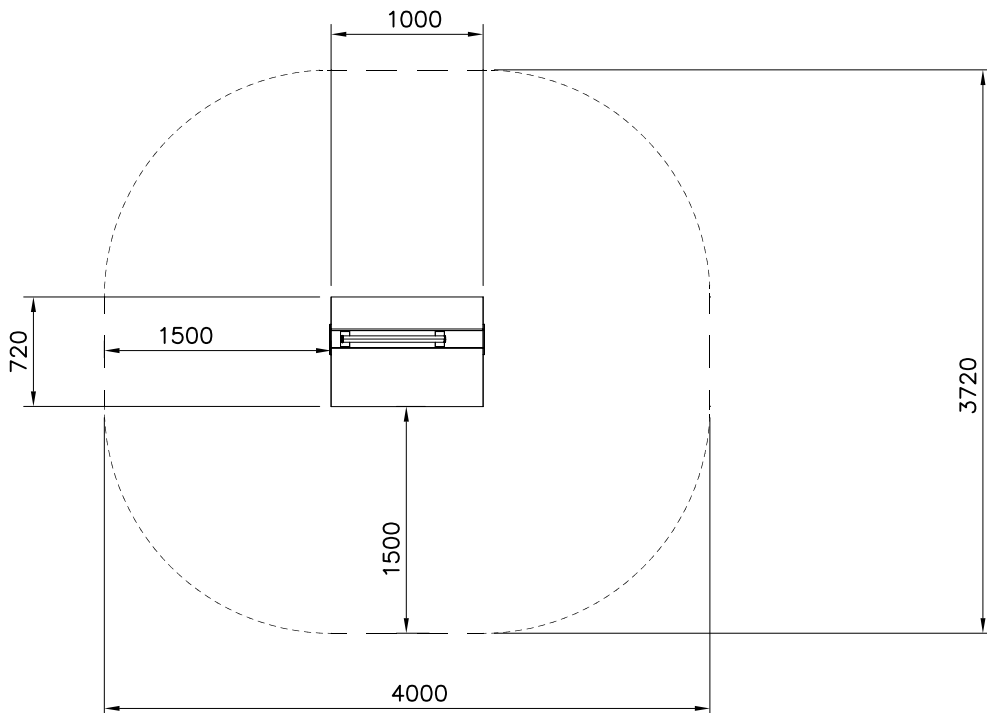
|                             |          |                             |          |
|-----------------------------|----------|-----------------------------|----------|
| ① 702341<br><br>90x50       | PCS<br>1 | ② 708109<br><br>118x118x697 | PCS<br>2 |
| ③ 708443<br><br>118x118x352 | PCS<br>2 | ④ 708848<br><br>18x450x690  | PCS<br>2 |
| ⑤ 708849<br><br>18x450x690  | PCS<br>2 | ⑥ 708850<br><br>15x450x690  | PCS<br>2 |
| ⑦ 708851<br><br>15x300x1005 | PCS<br>1 | ⑧ 708852<br><br>15x500x1005 | PCS<br>1 |
| ⑨ 708853<br><br>15x112x1005 | PCS<br>1 | ⑩ 708854<br><br>15x425x1005 | PCS<br>1 |
| ⑪ 708855<br><br>45x45x975   | PCS<br>8 | ⑫ 900240<br><br>Ø8x70       | PCS<br>8 |
| ⑬ 903093<br><br>Ø8x90       | PCS<br>4 | ⑭ 908371<br><br>42-38/40    | PCS<br>2 |

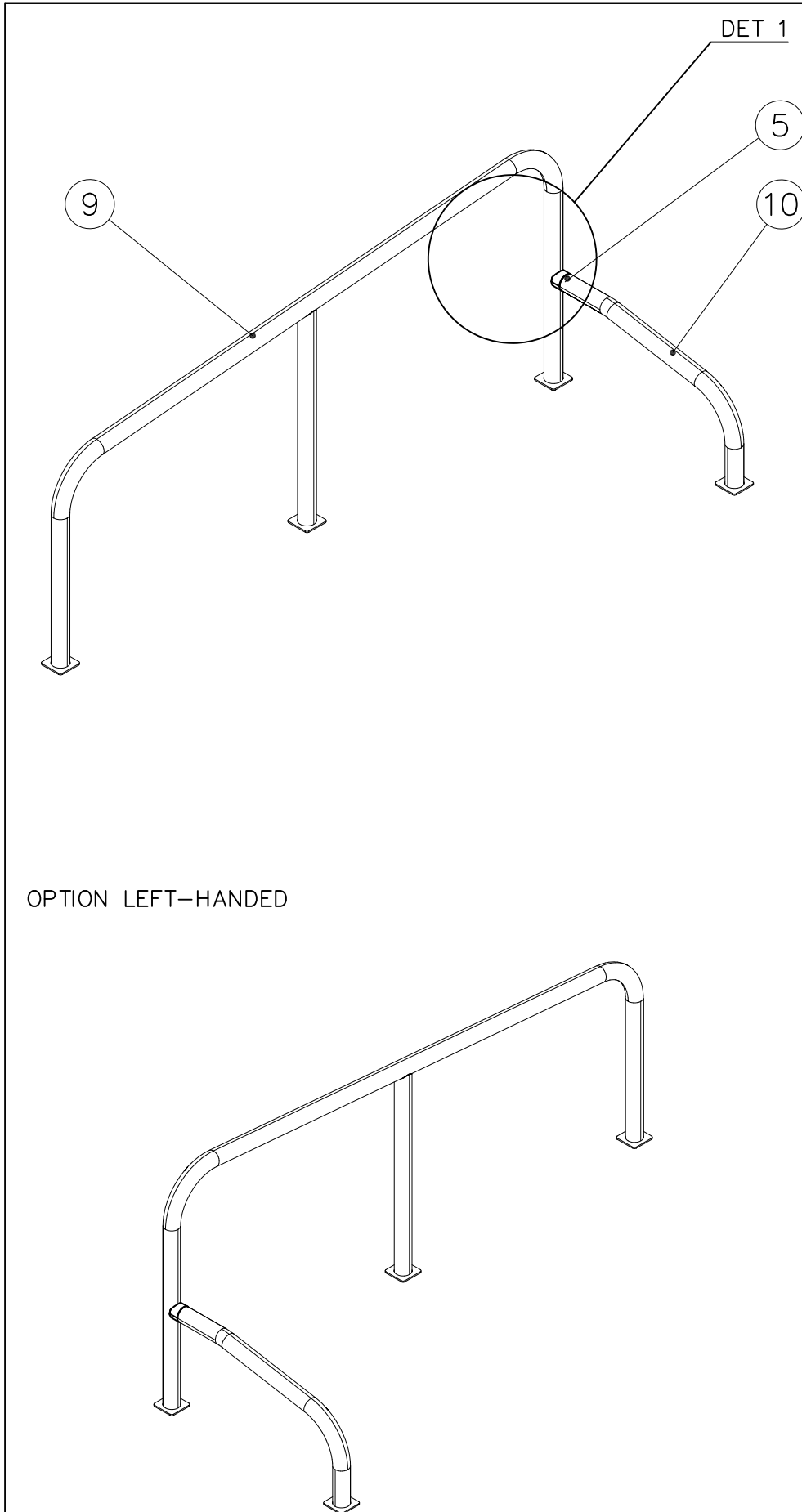
|                           |          |                         |          |                       |           |                       |           |                       |           |                       |           |
|---------------------------|----------|-------------------------|----------|-----------------------|-----------|-----------------------|-----------|-----------------------|-----------|-----------------------|-----------|
| ⑮ 908698<br><br>3x114x108 | PCS<br>4 | ⑯ 910056<br><br>140x690 | PCS<br>1 | ⑰ 980100<br><br>Ø5x60 | PCS<br>24 | ⑱ 980104<br><br>Ø5x90 | PCS<br>32 | ⑲ 980123<br><br>Ø7x60 | PCS<br>27 | ⑳ 980128<br><br>Ø7x40 | PCS<br>14 |
|---------------------------|----------|-------------------------|----------|-----------------------|-----------|-----------------------|-----------|-----------------------|-----------|-----------------------|-----------|

|   |     |   |     |
|---|-----|---|-----|
| 709261+   |     | 709262+   |     |
| ○ 910330  | PCS | ○ 910567  | PCS |
| SURFACE   | 2   | CONCRETE  | 2   |
|  |     |  |     |
| 152x200x200   |     | 117x117x715   |     |



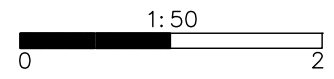
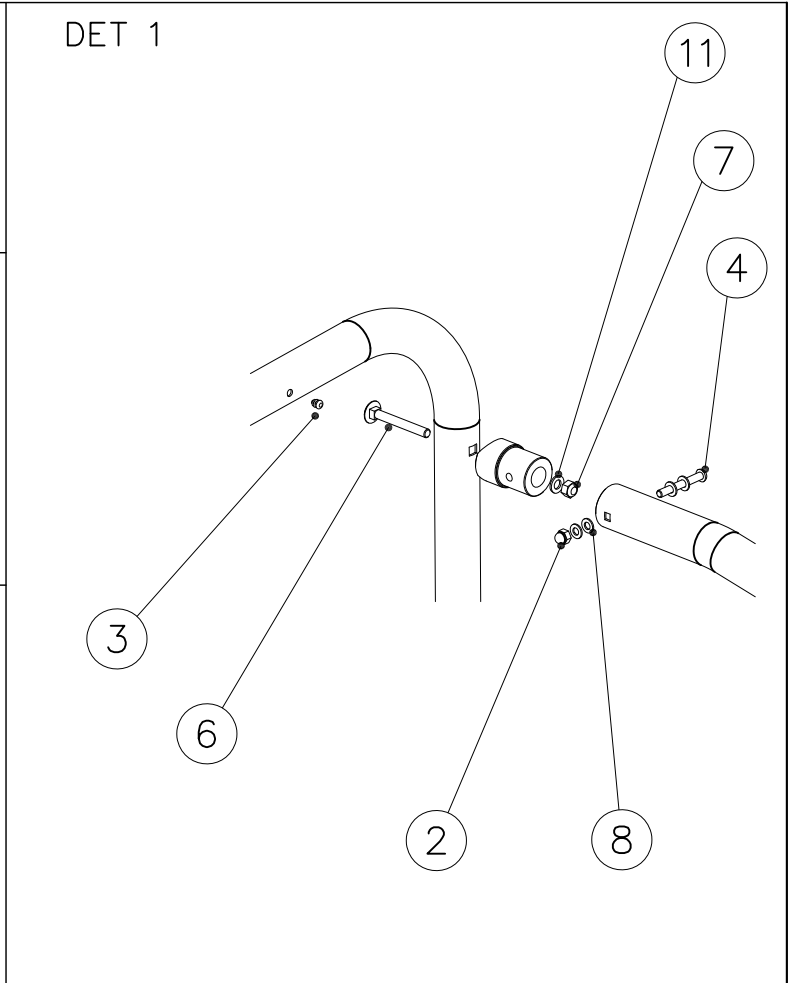
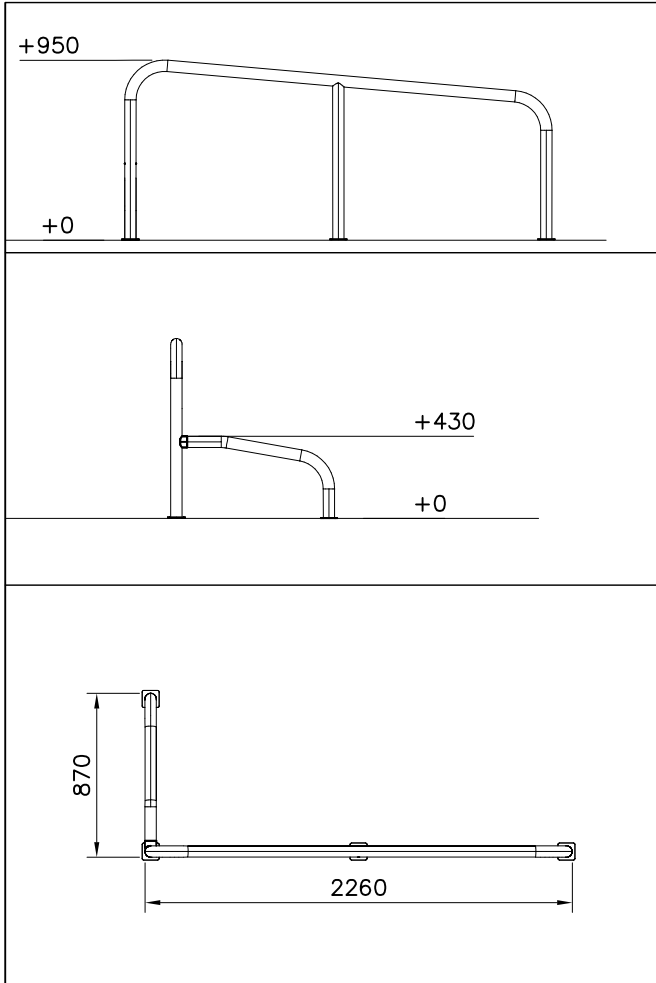
----- Falling Space 13 m<sup>2</sup>  
Max Falling Height 660 mm



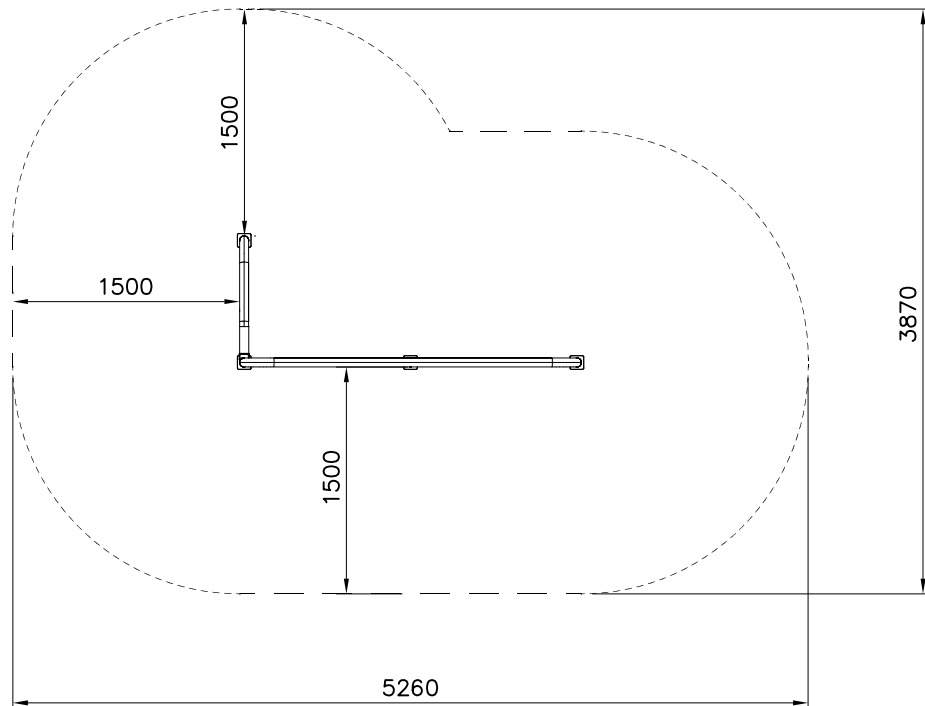


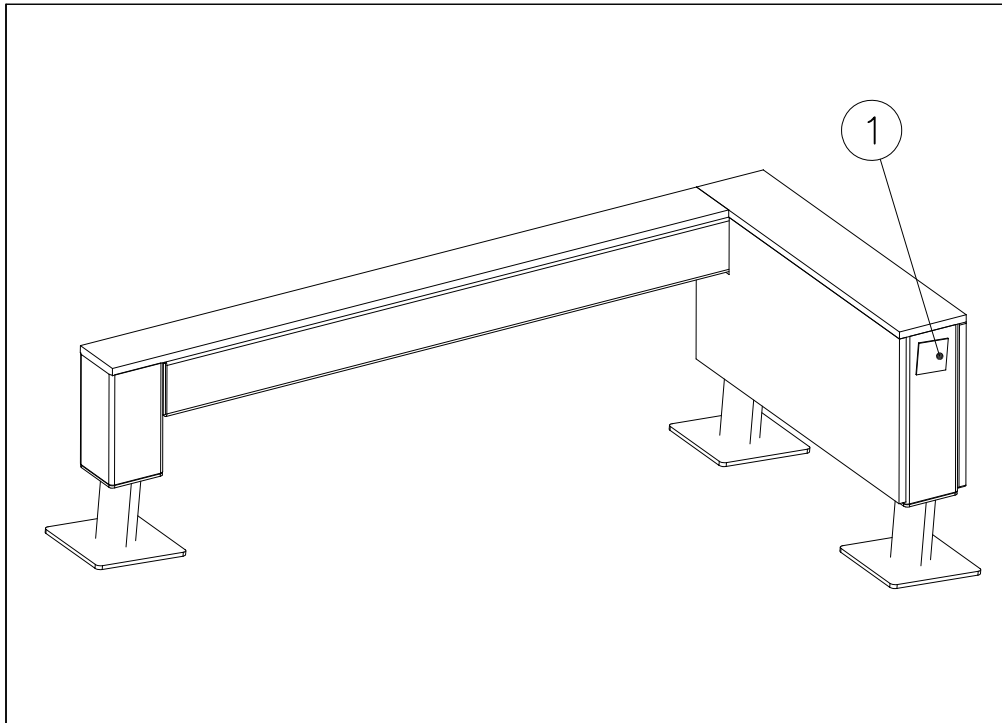
|                              |          |                             |          |
|------------------------------|----------|-----------------------------|----------|
| ① 702341<br><br>90x50        | PCS<br>1 | ② 900965<br><br>M10         | PCS<br>1 |
| ③ 903533<br><br>SRL12        | PCS<br>4 | ④ 904133<br><br>M10x80      | PCS<br>1 |
| ⑤ 908069<br><br>Ø60x87.6     | PCS<br>1 | ⑥ 909111<br><br>M12x100     | PCS<br>1 |
| ⑦ 909248<br><br>M12          | PCS<br>1 | ⑧ 909638<br><br>Ø20/10.5    | PCS<br>4 |
| ⑨ 910255<br><br>Ø60x950x2290 | PCS<br>1 | ⑩ 910262<br><br>Ø60x435x795 | PCS<br>1 |
| ⑪ 980154<br><br>Ø24/13       | PCS<br>1 |                             | PCS      |


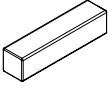
OPTION LEFT-HANDED






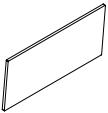
----- Falling Space 16.2 m<sup>2</sup>  
 Max Falling Height 950 mm

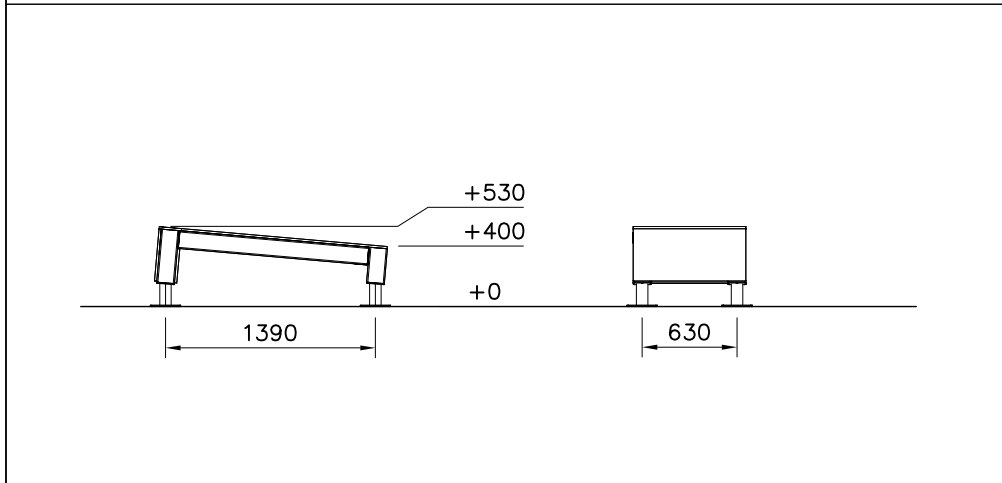


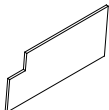
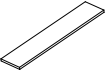



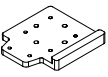
|   |     |   |     |
|---|-----|---|-----|
| ① 702286  | PCS | ② 707210  | PCS |
|  | 1   |  | 2   |
| 65x65   |     | 118x118x503   |     |

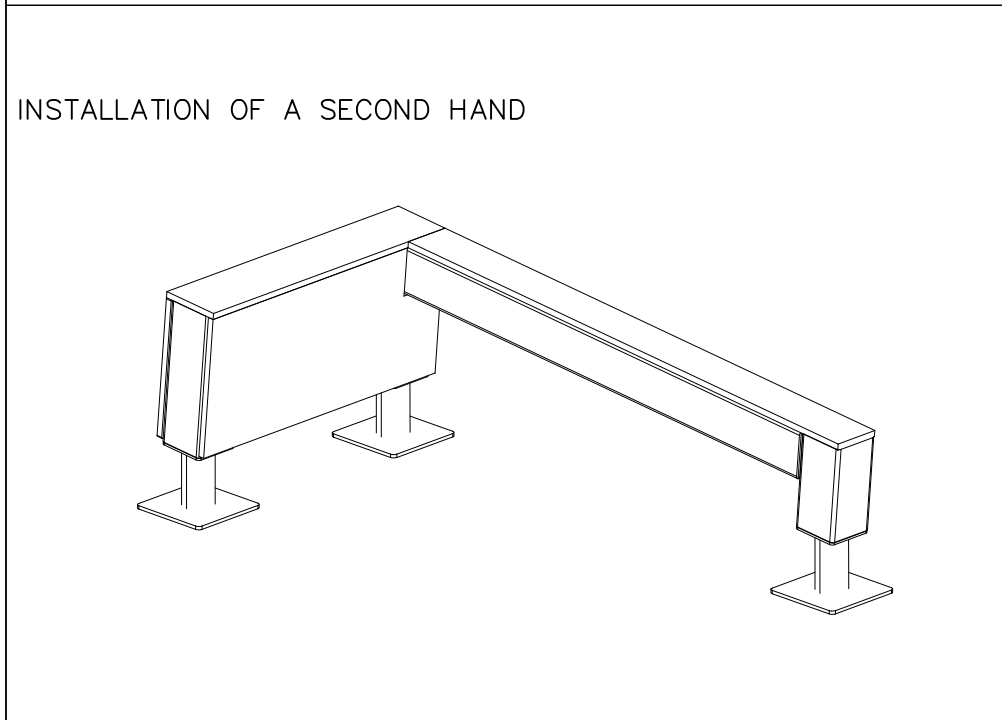
|   |     |   |     |
|---|-----|---|-----|
| ③ 707212  | PCS | ④ 708347  | PCS |
|  | 1   |  | 1   |
| 118x118x1254  |     | 118x118x231   |     |

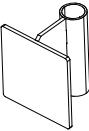

|   |     |   |     |
|---|-----|---|-----|
| ⑤ 708443  | PCS | ⑥ 708727  | PCS |
|  | 2   |  | 1   |
| 118x118x352   |     | 15x346x745  |     |






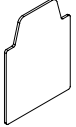
|   |     |   |     |
|---|-----|---|-----|
| ⑦ 708730  | PCS | ⑧ 708733  | PCS |
|  | 1   |  | 1   |
| 15x346x745  |     | 15x148x745  |     |




|   |     |   |     |
|---|-----|---|-----|
| ⑨ 708734  | PCS | ⑩ 708857 JIG  | PCS |
|  | 1   |  | 1   |
| 15x118x1365   |     | 20x133x149  |     |



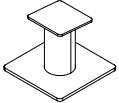

|   |     |   |     |
|---|-----|---|-----|
| ⑪ 910266  | PCS | ⑫ 900240  | PCS |
|  | 2   |  | 16  |
| 90x108x118  |     | Ø8x70   |     |

|   |     |   |     |
|---|-----|---|-----|
| ⑬ 903093  | PCS | ⑭ 905103  | PCS |
|  | 4   |  | 2   |
| Ø8x90   |     | PT-28/32-H  |     |

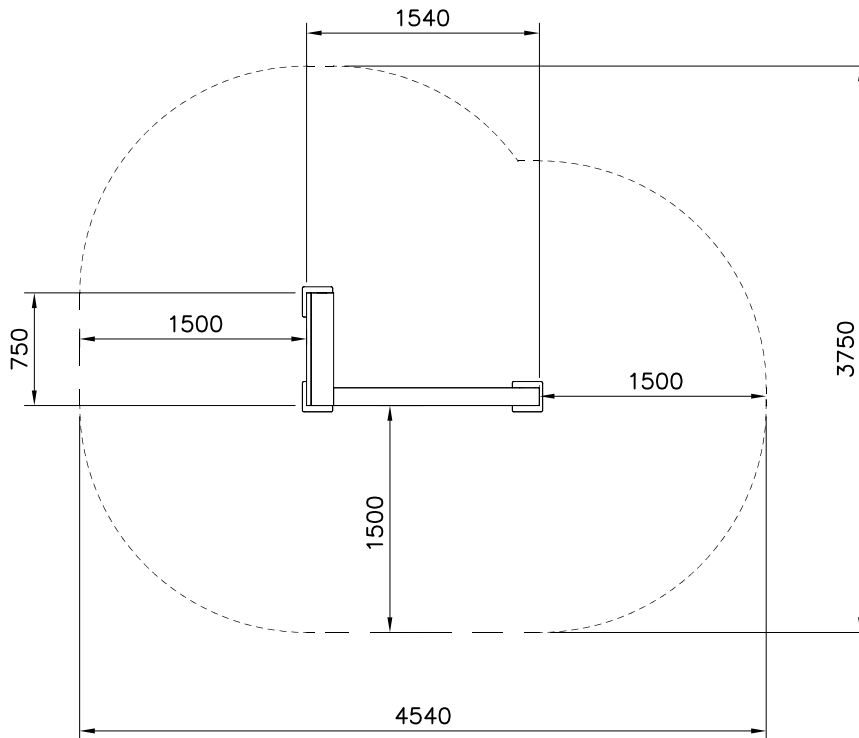
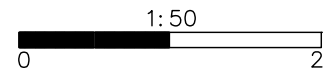
|   |     |   |     |
|---|-----|---|-----|
| ⑮ 905112  | PCS | ⑯ 908698  | PCS |
|  | 4   |  | 4   |
| Ø22   |     | 3x114x108   |     |

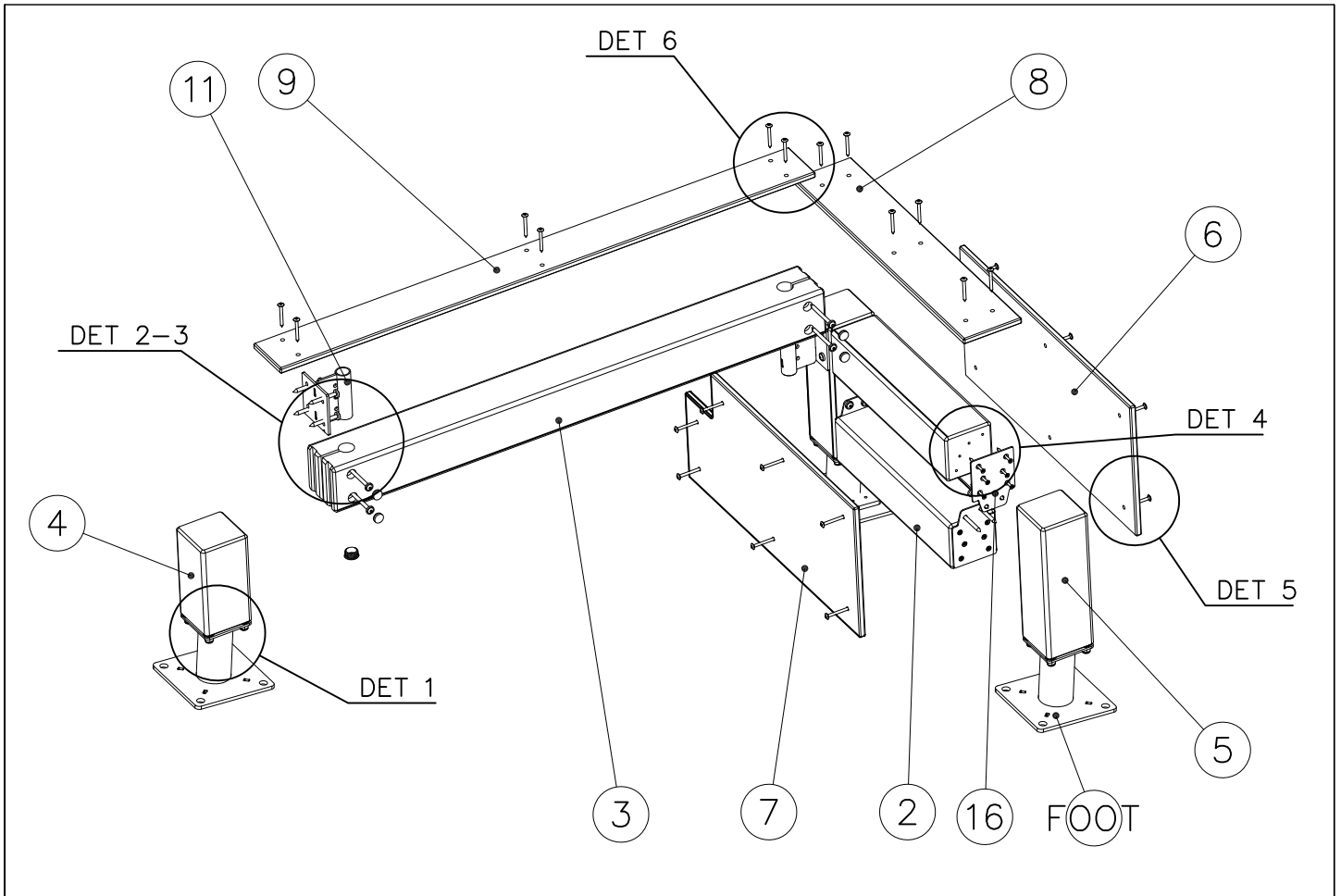
|    |   |     |    |   |     |    |   |     |
|----|---|-----|----|---|-----|----|---|-----|
| 17 | 980100  | PCS | 18 | 980114  | PCS | 19 | 980123  | PCS |
|    |   | 28  |    |   | 4   |    |   | 25  |
|    |  |     |    |  |     |    |  |     |
|    | Ø5x60   |     |    | Ø4x20   |     |    | Ø7x60   |     |

FOOT OPTIONS

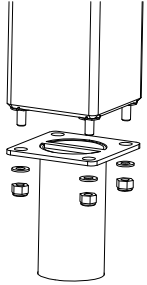
|   |     |   |     |
|---|-----|---|-----|
| 709261+   |     | 709262+   |     |
| ○ 910267  | PCS | ○ 910567  | PCS |
| SURFACE   | 3   | CONCRETE  | 3   |
|  |     |  |     |
| 152x200x200   |     | 117x117x715   |     |

----- Falling Space 13.8 m<sup>2</sup>  
Max Falling Height 530 mm

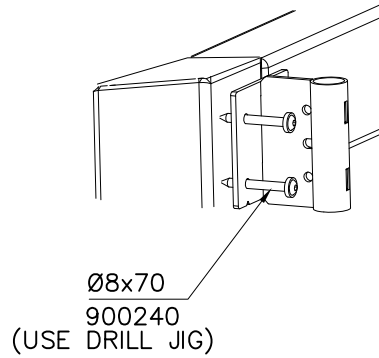




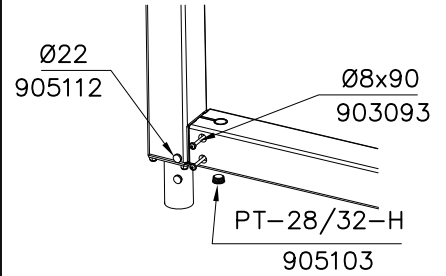
DET 1



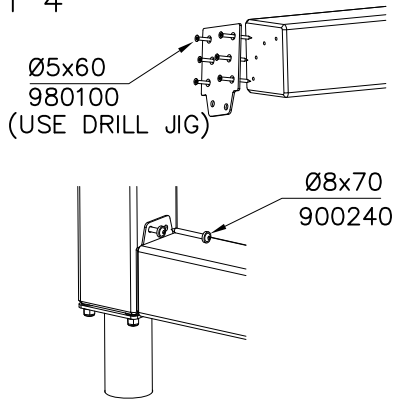
DET 2



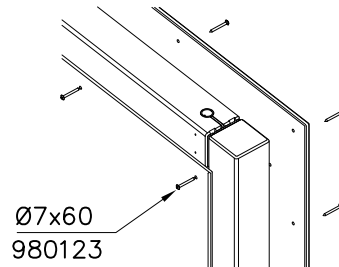
DET 3



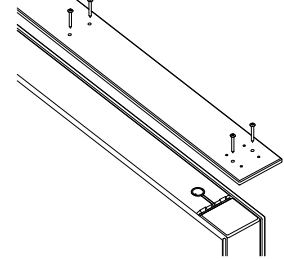
DET 4



DET 5

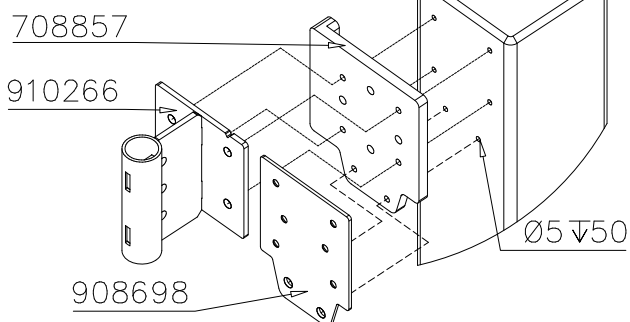


Ø7x60 980123

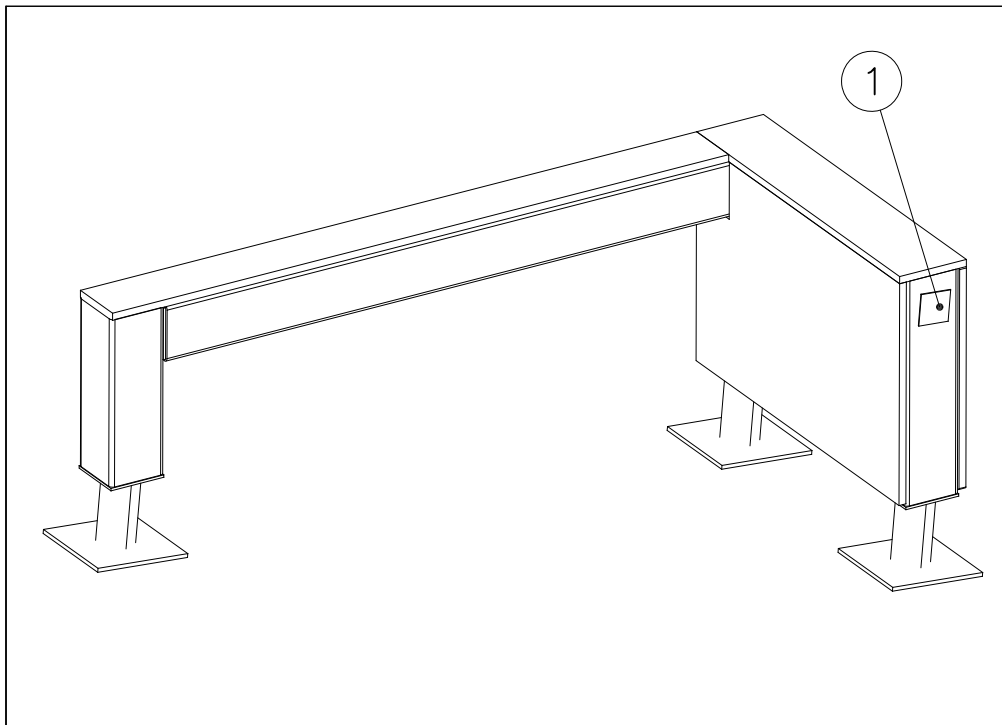


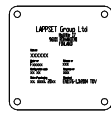
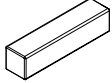
JIG DET A (USE DET 2-4)


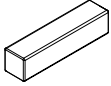
NOTE:  
Use drill jig 708857  
to predrill  $\text{Ø}5\sqrt{50}$   
holes for 910266  
and 908698

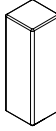
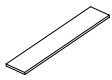


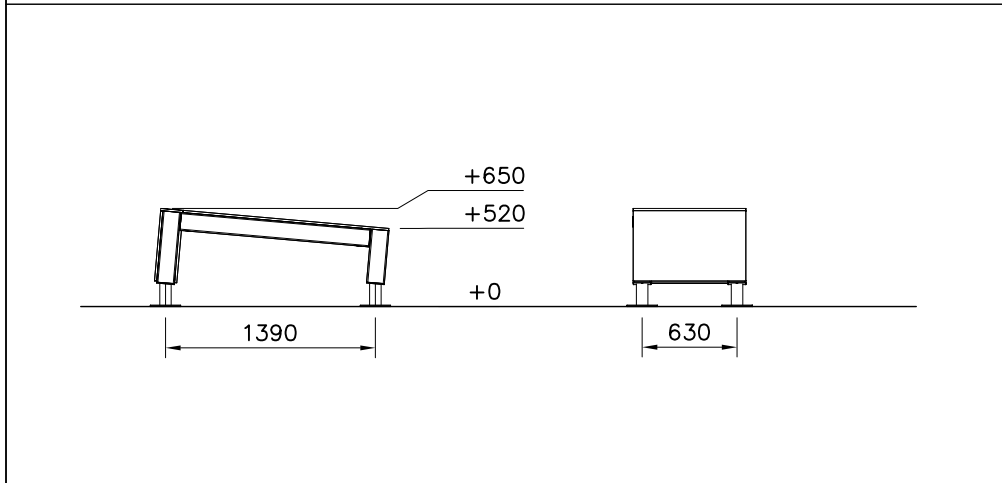



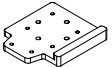


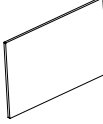

|   |     |   |     |
|---|-----|---|-----|
| ① 702286  | PCS | ② 707210  | PCS |
|  | 1   |  | 2   |
| 65x65   |     | 118x118x503   |     |

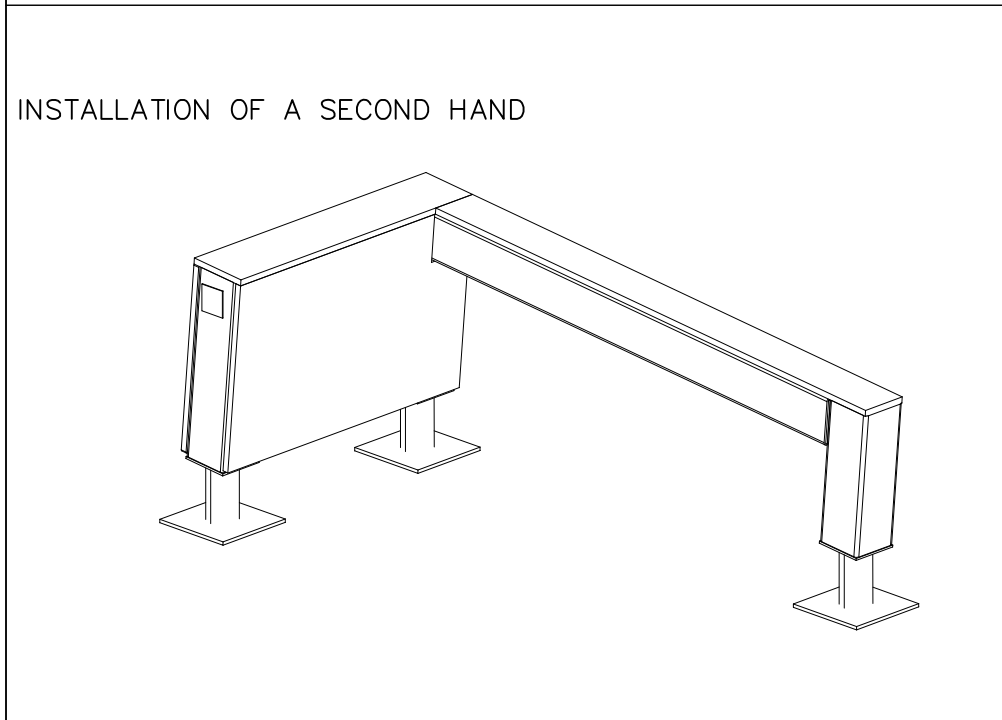
|   |     |   |     |
|---|-----|---|-----|
| ③ 707212  | PCS | ④ 707889  | PCS |
|  | 1   |  | 2   |
| 118x118x1254  |     | 118x118x472   |     |



|   |     |   |     |
|---|-----|---|-----|
| ⑤ 708443  | PCS | ⑥ 708733  | PCS |
|  | 1   |  | 1   |
| 118x118x352   |     | 15x148x745  |     |


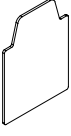


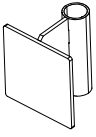
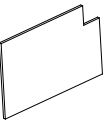
|   |     |   |     |
|---|-----|---|-----|
| ⑦ 708734  | PCS | ⑧ 708857 JIG  | PCS |
|  | 1   |  | 1   |
| 15x118x1365   |     | 20x133x149  |     |




|   |     |   |     |
|---|-----|---|-----|
| ⑨ 708731  | PCS | ⑩ 900240  | PCS |
|  | 1   |  | 16  |
| 15x466x745  |     | Ø8x70   |     |



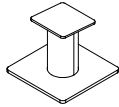
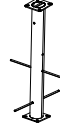
|   |     |   |     |
|---|-----|---|-----|
| ⑪ 903093  | PCS | ⑫ 905103  | PCS |
|  | 4   |  | 2   |
| Ø8x90   |     | PT-28/32-H  |     |

|   |     |   |     |
|---|-----|---|-----|
| ⑬ 905112  | PCS | ⑭ 908698  | PCS |
|  | 4   |  | 4   |
| Ø22   |     | 3x114x108   |     |

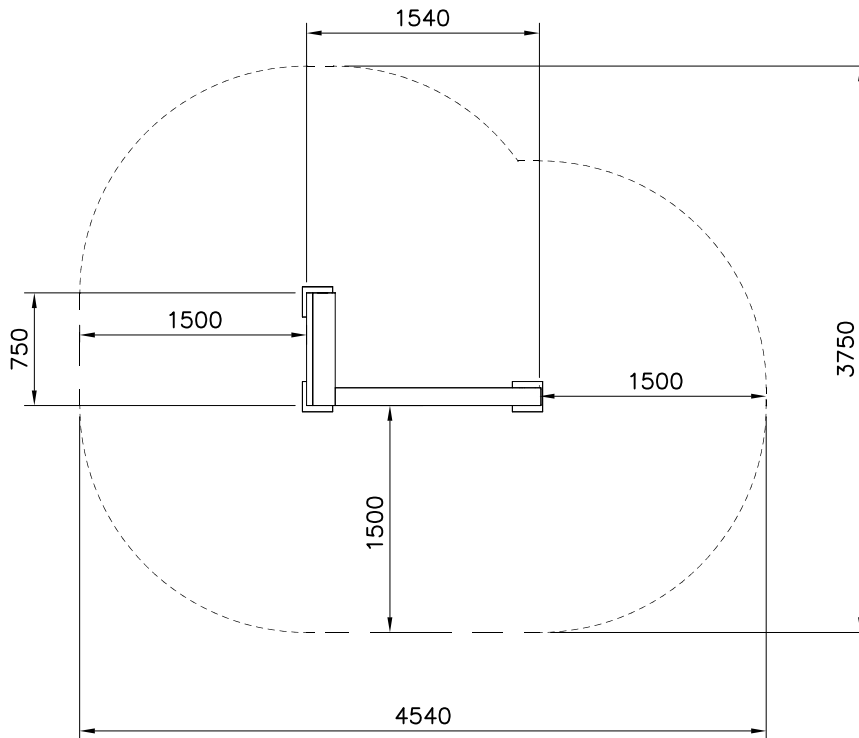
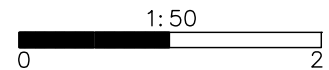
|   |     |   |     |
|---|-----|---|-----|
| ⑮ 910266  | PCS | ⑯ 708732  | PCS |
|  | 2   |  | 1   |
| 90x108x118  |     | 15x466x745  |     |

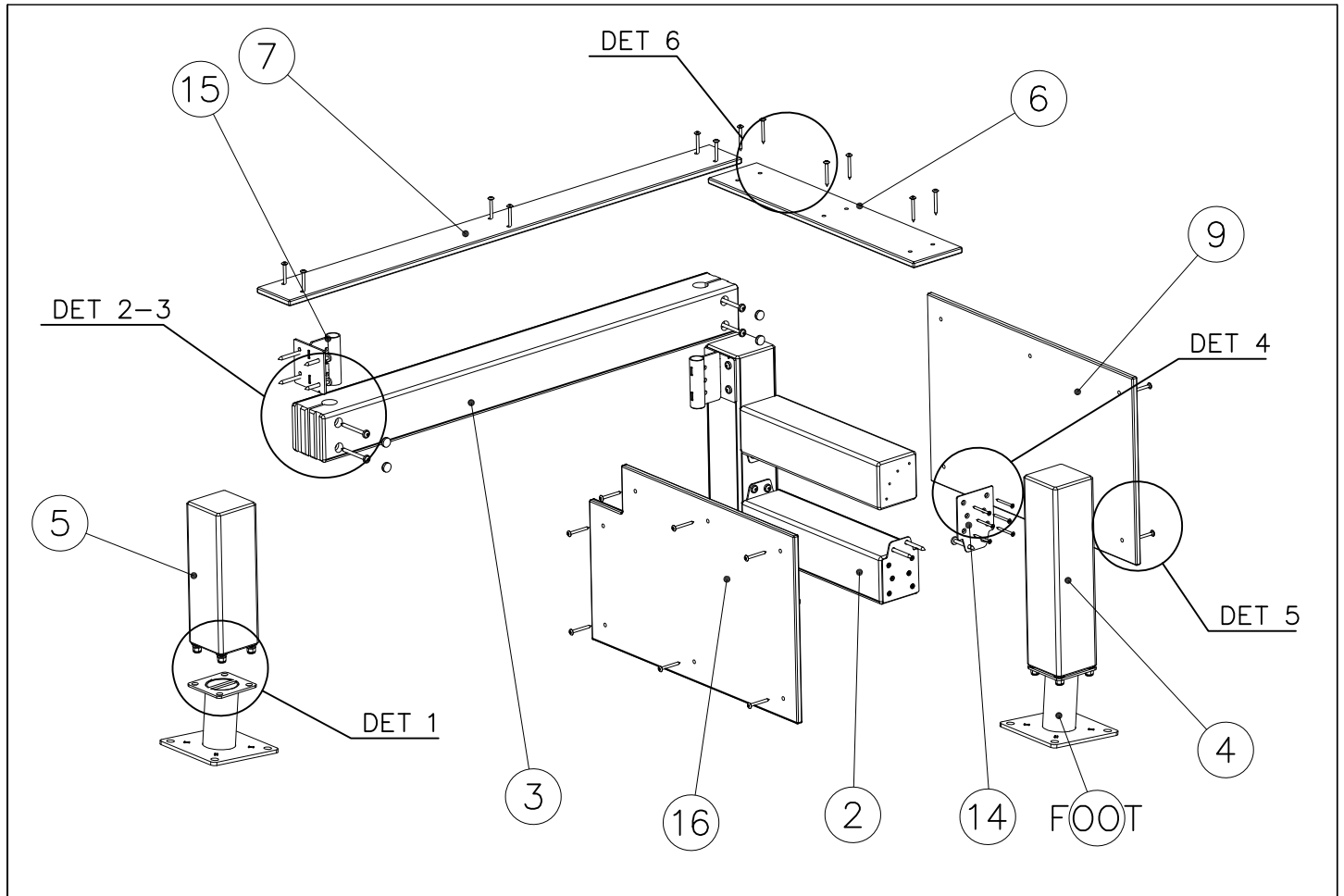
|   |        |     |   |        |     |   |        |     |
|---|--------|-----|---|--------|-----|---|--------|-----|
| 17  | 980100 | PCS | 18  | 980114 | PCS | 19  | 980123 | PCS |
|   |        | 28  |   |        | 4   |   |        | 25  |
|  |        |     |  |        |     |  |        |     |
| Ø5x60   |        |     | Ø4x20   |        |     | Ø7x60   |        |     |

### FOOT OPTIONS

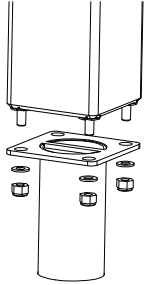
|   |     |   |     |
|---|-----|---|-----|
| 709261+   |     | 709262+   |     |
| ○ 910267  | PCS | ○ 910567  | PCS |
| SURFACE   | 3   | CONCRETE  | 3   |
|  |     |  |     |
| 152x200x200   |     | 117x117x715   |     |

----- Falling Space 13.8 m<sup>2</sup>  
Max Falling Height 650 mm

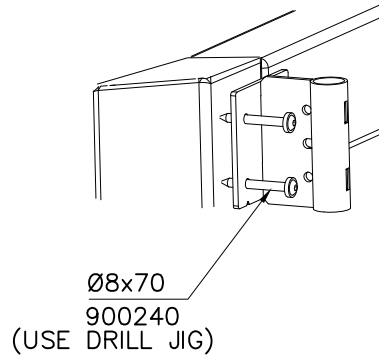




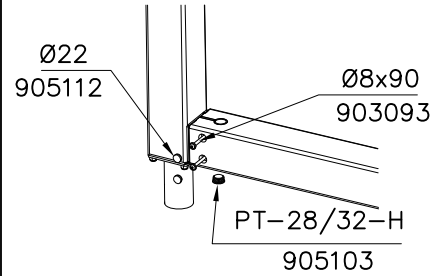
DET 1



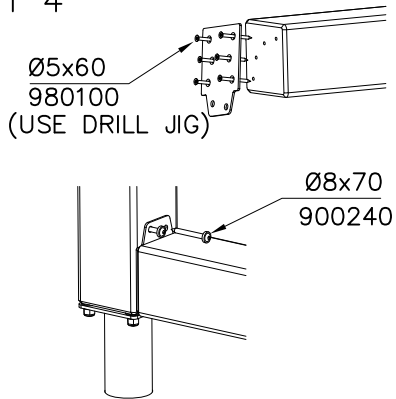
DET 2



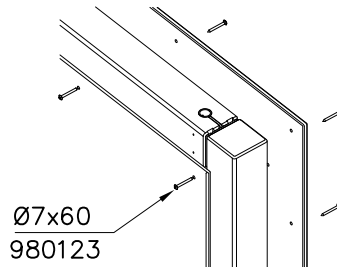
DET 3



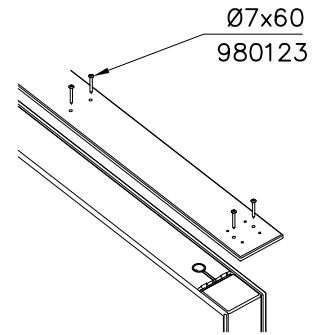
DET 4



DET 5

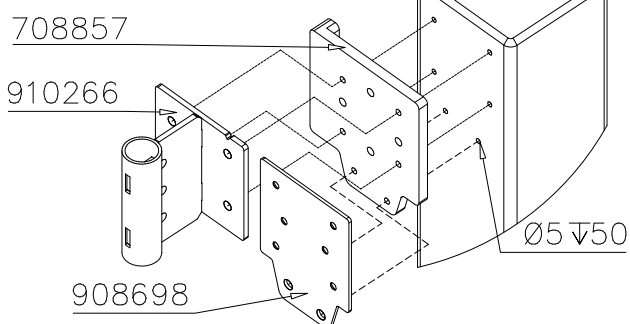


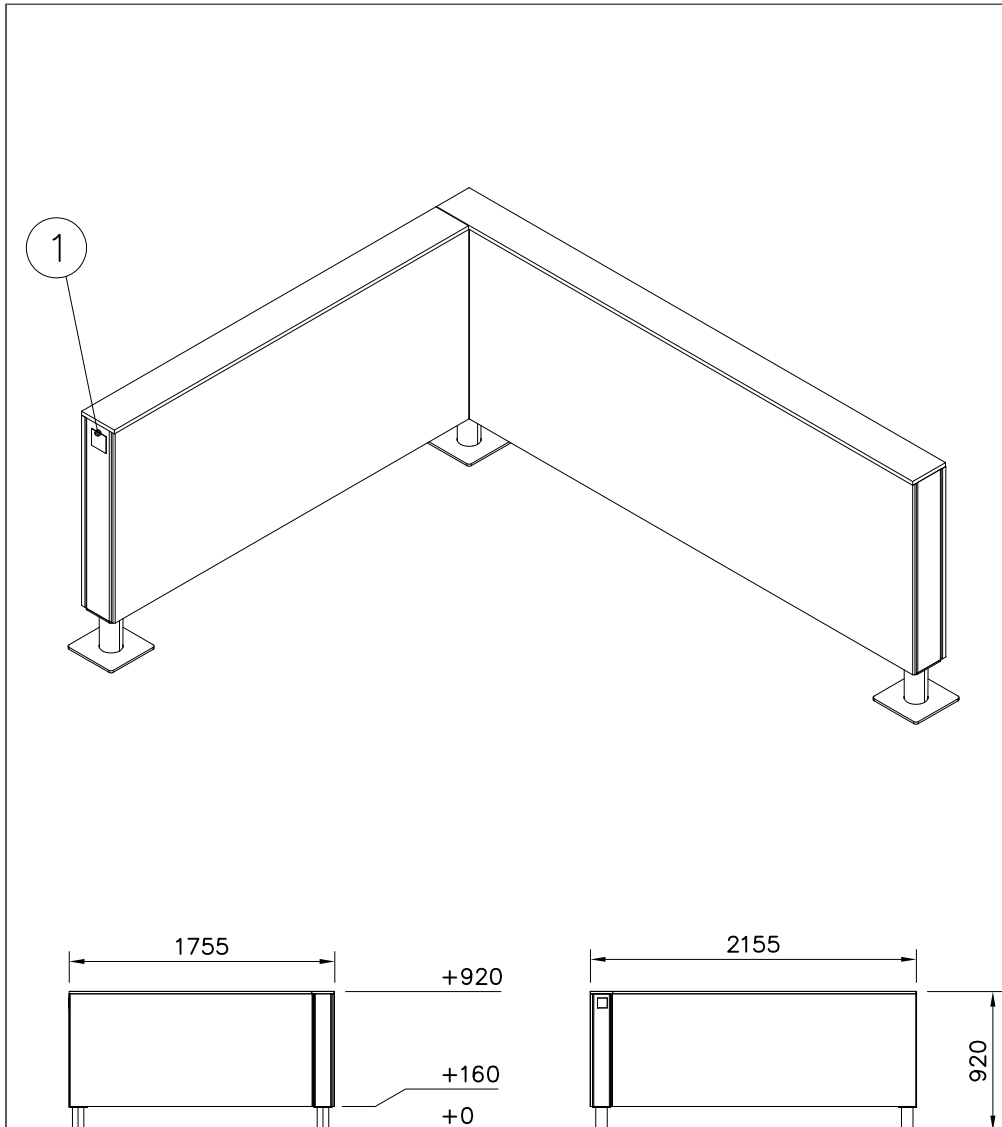
DET 6



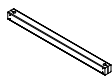


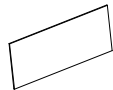

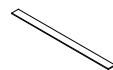
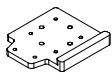
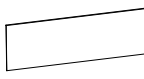





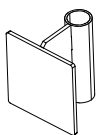




JIG DET A (USE DET 2-4)

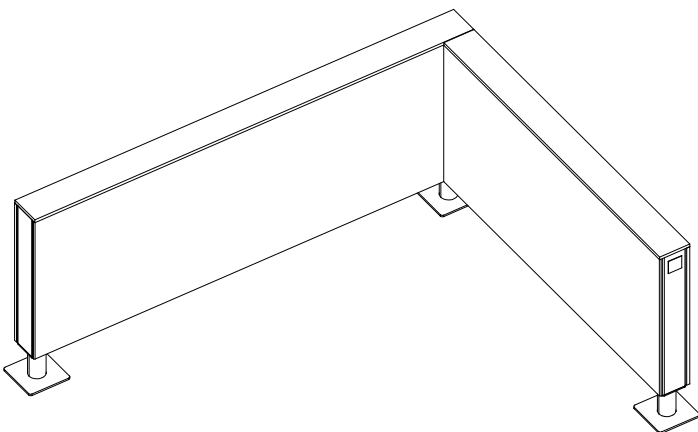
NOTE:  
Use drill jig 708857  
to predrill  $\text{Ø}5\sqrt{50}$   
holes for 910266  
and 908698



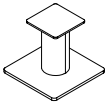
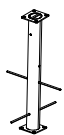


|   |           |   |           |
|---|-----------|---|-----------|
| ① 702286<br><br>65x65                  | PCS<br>1  | ② 707213<br><br>118x118x1490           | PCS<br>2  |
| ③ 707517<br><br>118x118x1892           | PCS<br>2  | ④ 708137<br><br>118x118x745            | PCS<br>3  |
| ⑤ 708715<br><br>15x745x2140            | PCS<br>1  | ⑥ 708716<br><br>15x745x1753            | PCS<br>1  |
| ⑦ 708737<br><br>15x148x1601          | PCS<br>1  | ⑧ 708738<br><br>15x148x2153          | PCS<br>1  |
| ⑨ 708857<br>JIG<br><br>20x133x149    | PCS<br>1  | ⑩ 911309<br>COLOR<br><br>12x745x2015 | PCS<br>1  |
| ⑪ 911311<br>MURAL<br><br>12x745x1610 | PCS<br>1  | ⑫ 900240<br><br>Ø8x70                | PCS<br>32 |
| ⑬ 903093<br><br>Ø8x90                  | PCS<br>16 | ⑭ 905103<br><br>PT-28/32-H           | PCS<br>8  |
| ⑮ 905112<br><br>Ø22                  | PCS<br>16 | ⑯ 910266<br><br>90x108x118             | PCS<br>8  |
| ⑰ 980123<br><br>Ø7x60                | PCS<br>56 | ⑱ 980114<br><br>Ø4x20                | PCS<br>4  |

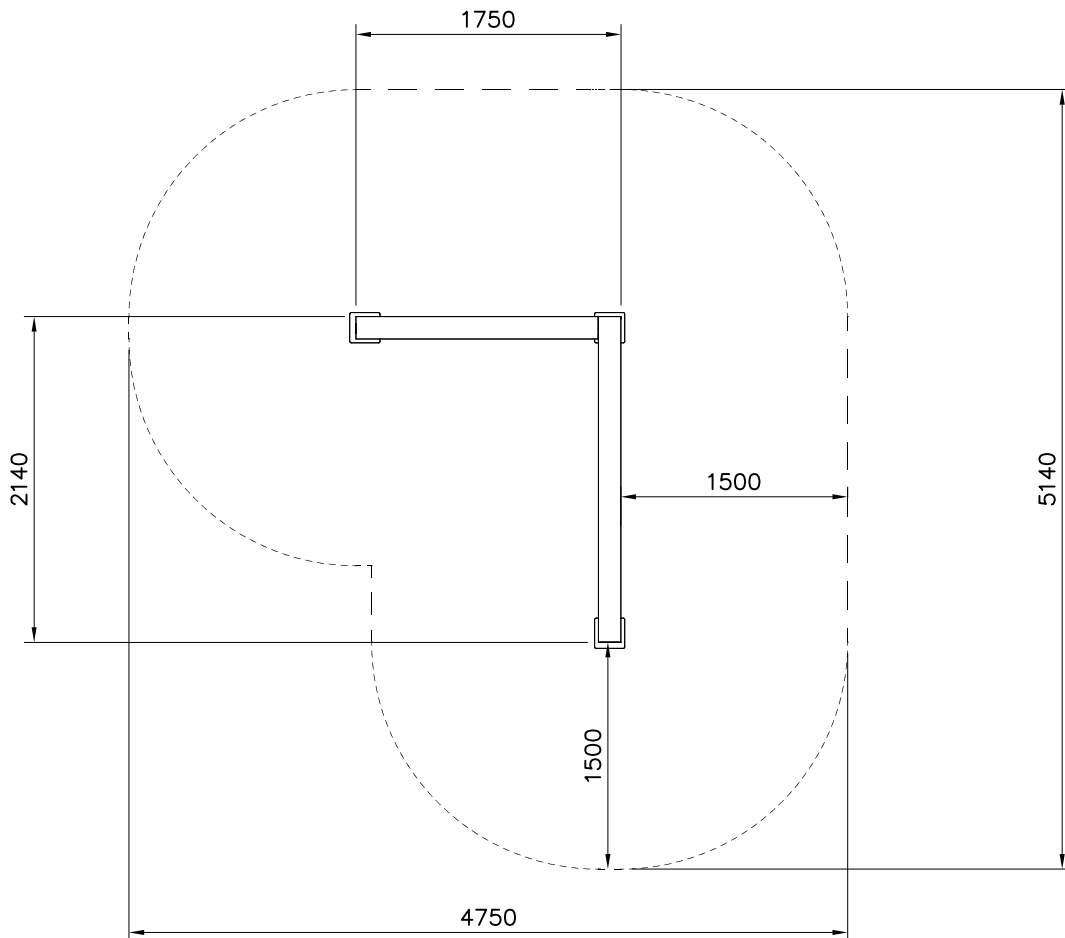
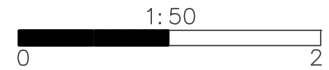
## INSTALLATION OF A SECOND HAND

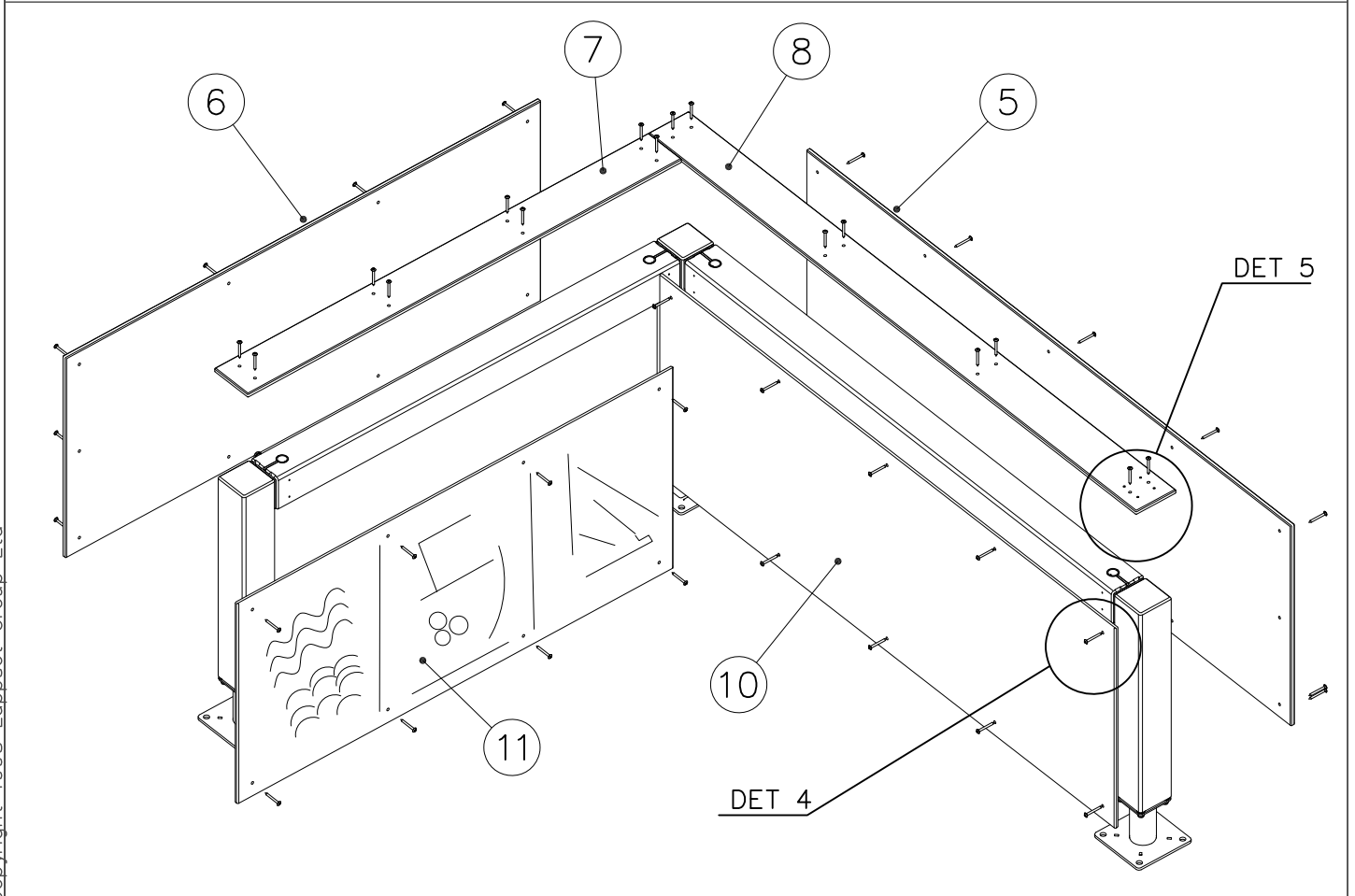
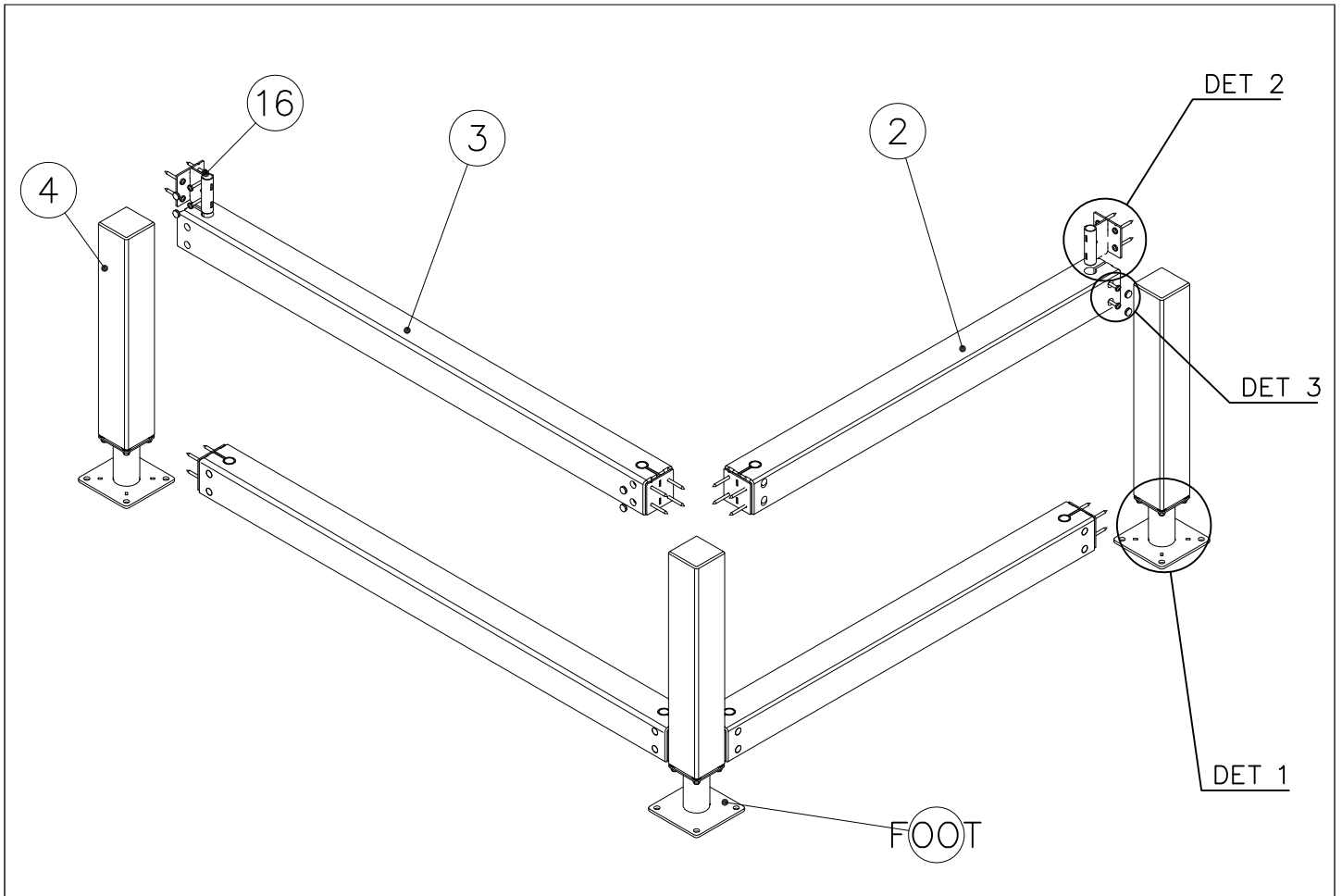


FOOT OPTIONS

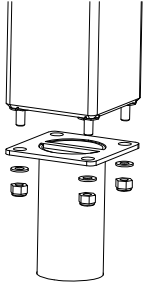
|   |     |   |     |
|---|-----|---|-----|
| 709261+   |     | 709262+   |     |
| ○ 910330  | PCS | ○ 910567  | PCS |
| SURFACE   | 3   | CONCRETE  | 3   |
|  |     |  |     |
| 152x200x200   |     | 117x117x715   |     |

----- Falling Space 18.8 m<sup>2</sup>  
 Max Falling Height 920 mm

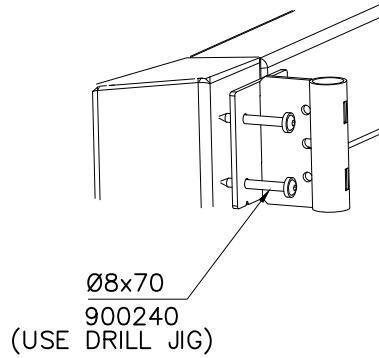




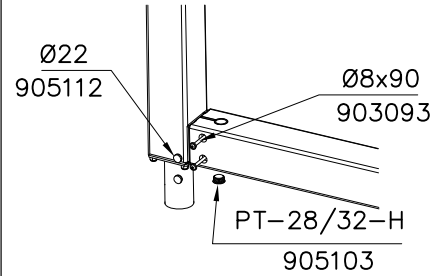
DET 1



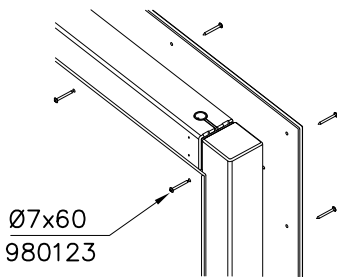
DET 2



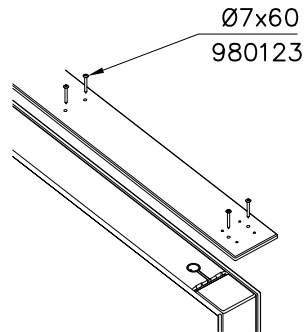
DET 3



DET 4

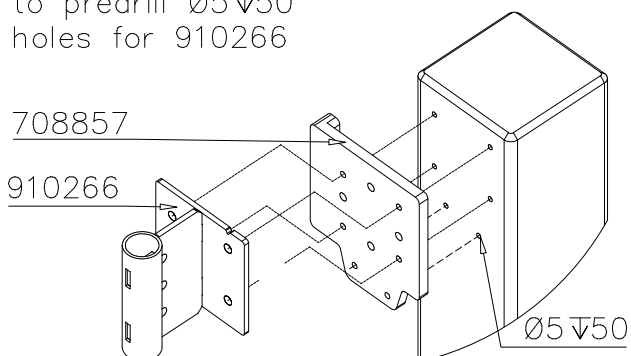


DET 5

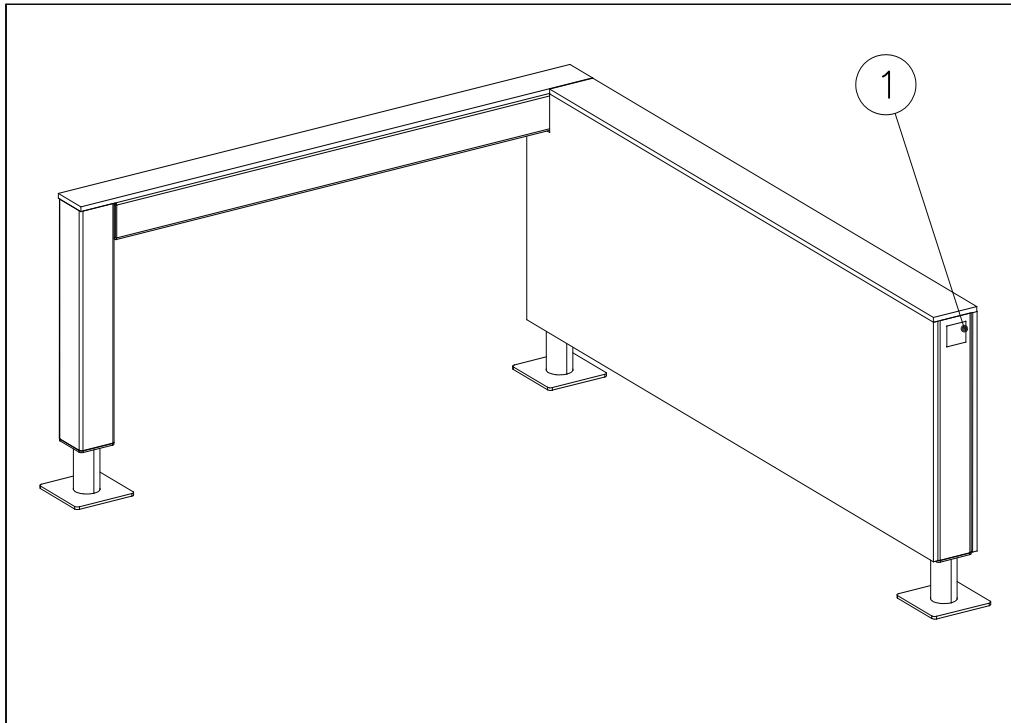




JIG DET A (USE DET 2)

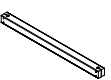

NOTE:  
Use drill jig 708857  
to predrill  $\text{Ø}5 \nabla 50$   
holes for 910266

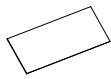



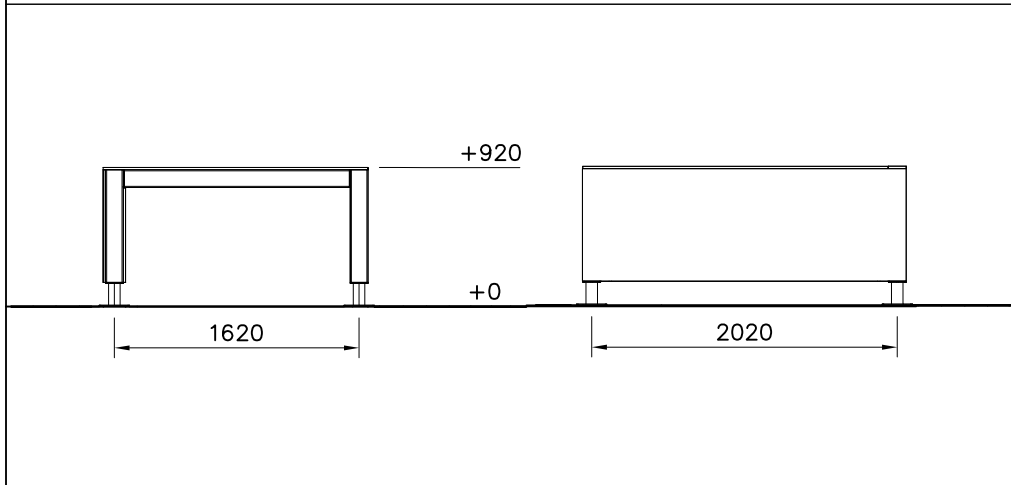


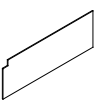



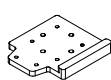

|   |   |     |   |   |     |
|---|---|-----|---|---|-----|
| ① | 702286  | PCS | ② | 707213  | PCS |
|   |  | 1   |   |  | 1   |
|   | 65x65   |     |   | 118x118x1490  |     |

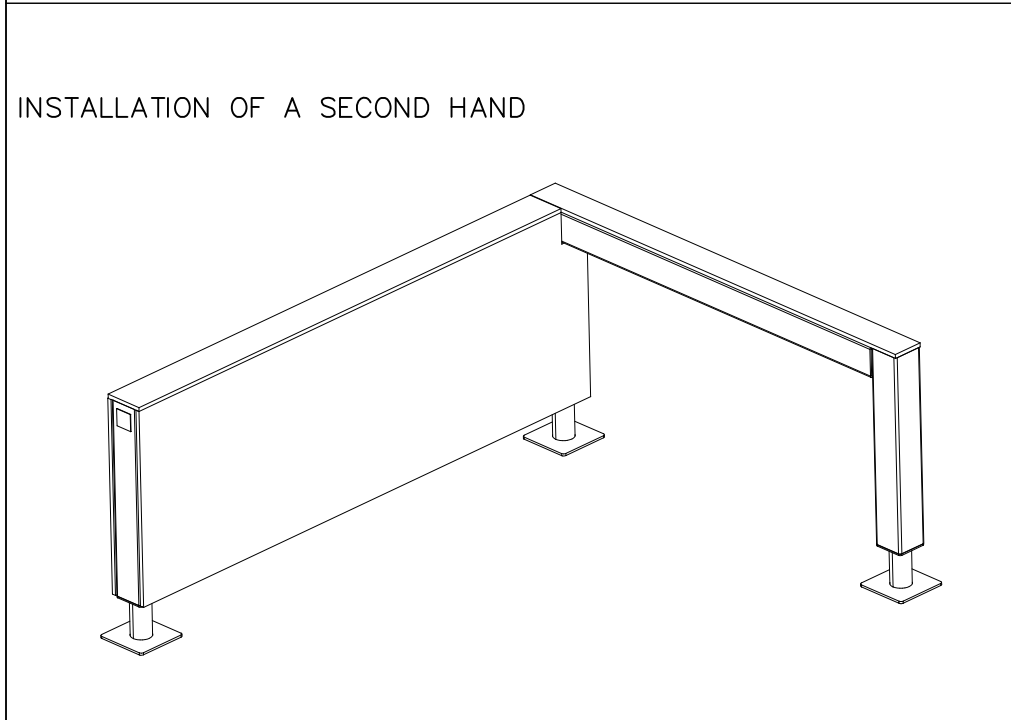
|   |   |     |   |   |     |
|---|---|-----|---|---|-----|
| ③ | 707517  | PCS | ④ | 708137  | PCS |
|   |  | 2   |   |  | 3   |
|   | 118x118x1892  |     |   | 118x118x745   |     |



|   |   |     |   |   |     |
|---|---|-----|---|---|-----|
| ⑤ | 708715  | PCS | ⑥ | 708840  | PCS |
|   |  | 1   |   |  | 1   |
|   | 15x745x2140   |     |   | 15x148x2018   |     |





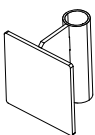

|   |   |     |   |   |     |
|---|---|-----|---|---|-----|
| ⑦ | 708845  | PCS | ⑧ | 708846  | PCS |
|   |  | 1   |   |  | 1   |
|   | 15x745x2138   |     |   | 15x118x1751   |     |

|   |   |     |   |   |     |
|---|---|-----|---|---|-----|
| ⑨ | 708857<br>JIG   | PCS | ⑩ | 980123  | PCS |
|   |  | 1   |   |  | 37  |
|   | 20x133x149  |     |   | Ø7x60   |     |

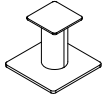



|   |   |     |   |   |     |
|---|---|-----|---|---|-----|
| ⑪ | 900240  | PCS | ⑫ | 903093  | PCS |
|   |  | 24  |   |  | 12  |
|   | Ø8x70   |     |   | Ø8x90   |     |

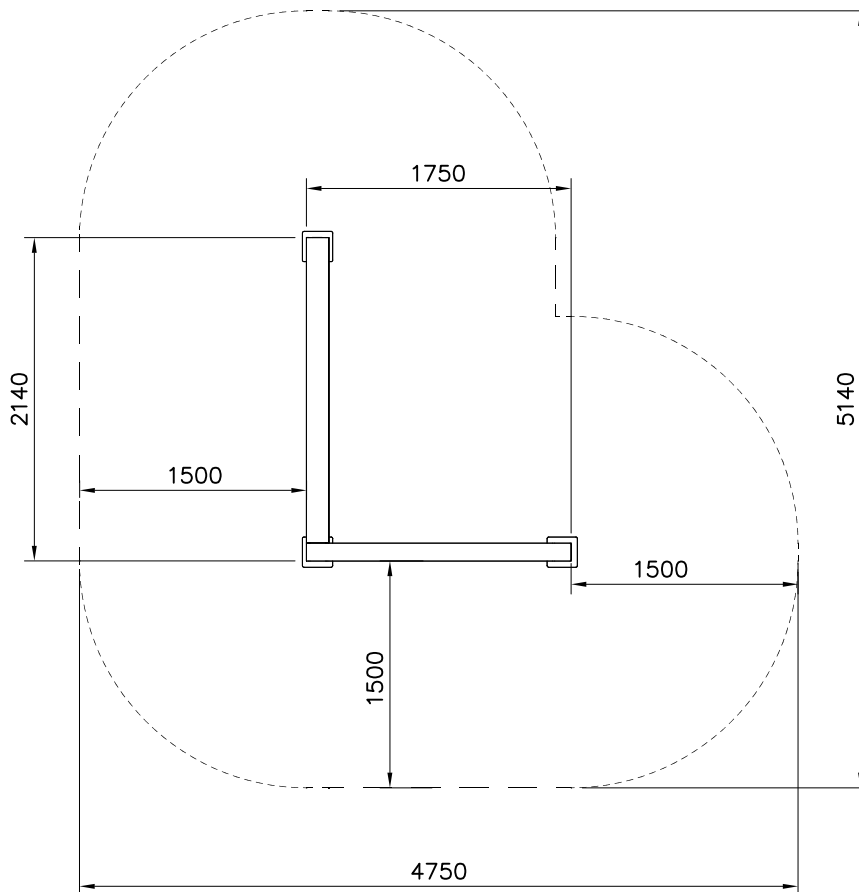
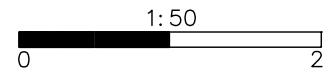
|   |   |     |   |   |     |
|---|---|-----|---|---|-----|
| ⑬ | 905103  | PCS | ⑭ | 905112  | PCS |
|   |  | 6   |   |  | 12  |
|   | PT-28/32-H  |     |   | Ø22   |     |

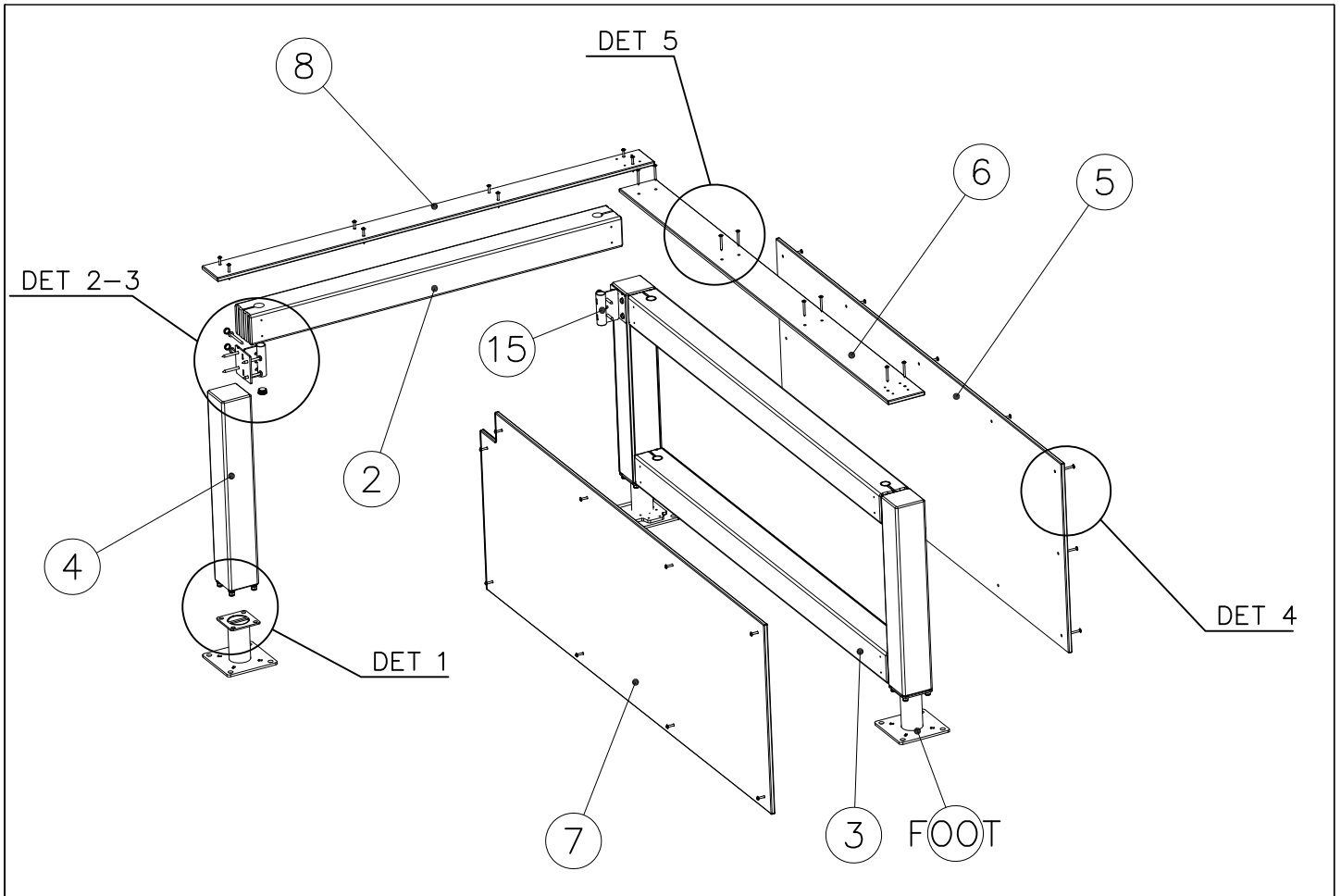
|   |   |     |   |   |     |
|---|---|-----|---|---|-----|
| ⑮ | 910266  | PCS | ⑯ | 980114  | PCS |
|   |  | 6   |   |  | 4   |
|   | 90x108x118  |     |   | Ø4x20   |     |

FOOT OPTIONS

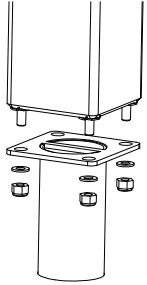
| 709261+   |     | 709262+   |     |
|---|-----|---|-----|
| ○ 910330  | PCS | ○ 910567  | PCS |
| SURFACE   | 3   | CONCRETE  | 3   |
|  |     |  |     |
| 152x200x200   |     | 117x117x715   |     |

----- Falling Space 18.8 m<sup>2</sup>  
Max Falling Height 920 mm

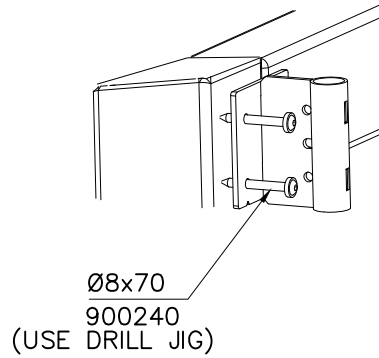




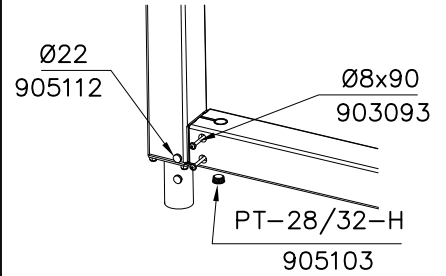
DET 1



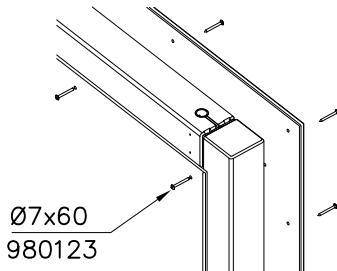
DET 2



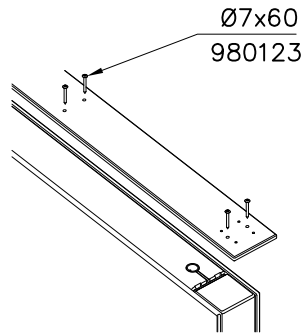
DET 3



DET 4



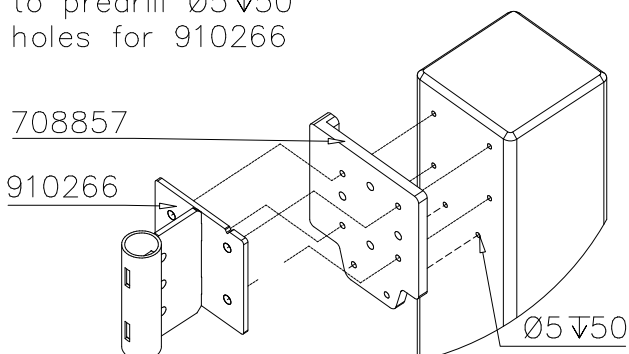
DET 5

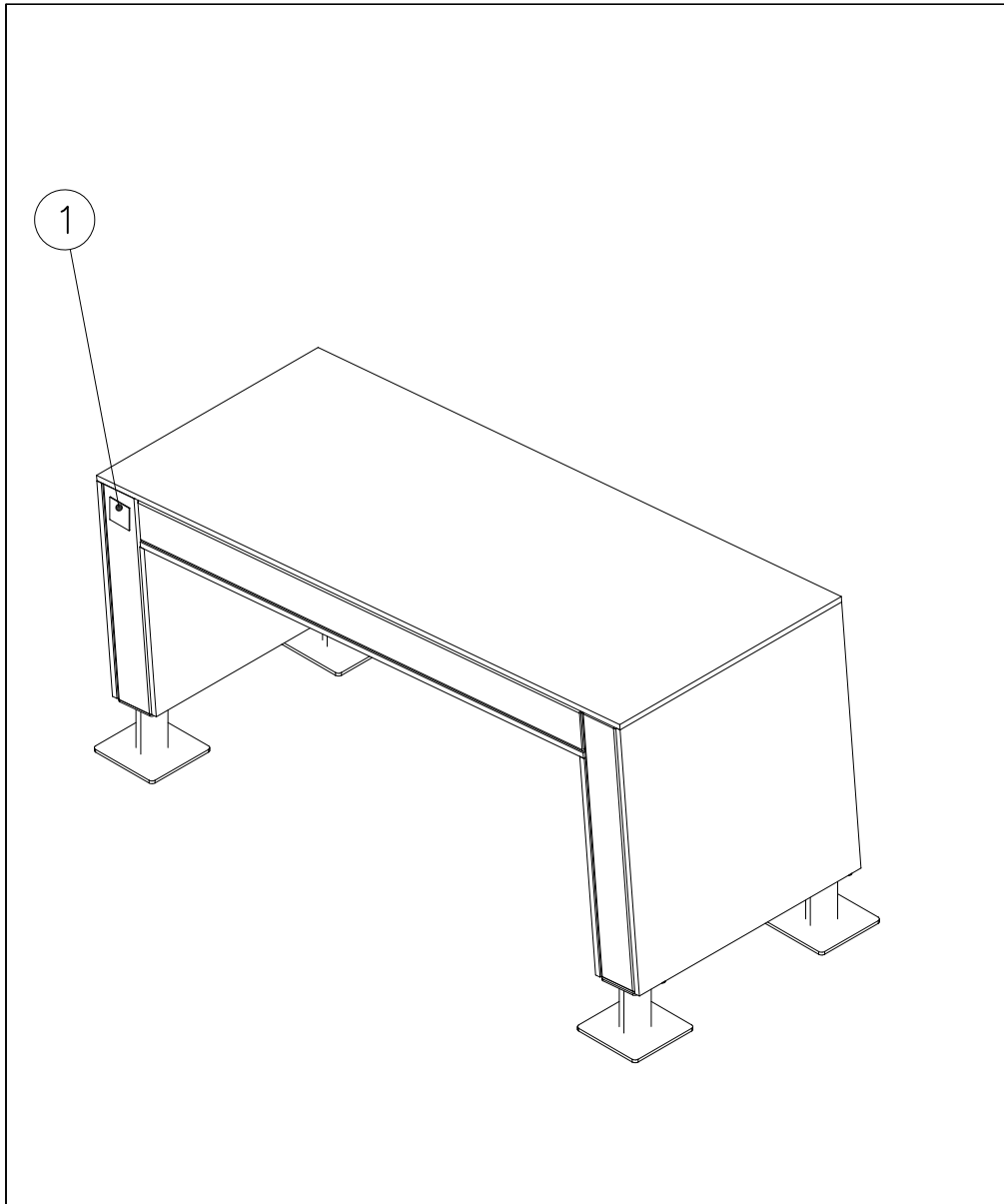



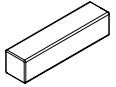

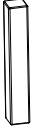

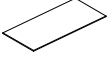
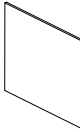

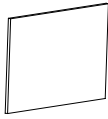
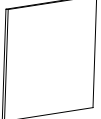
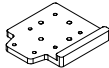

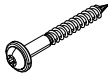

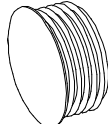
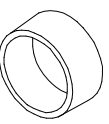
DET 6

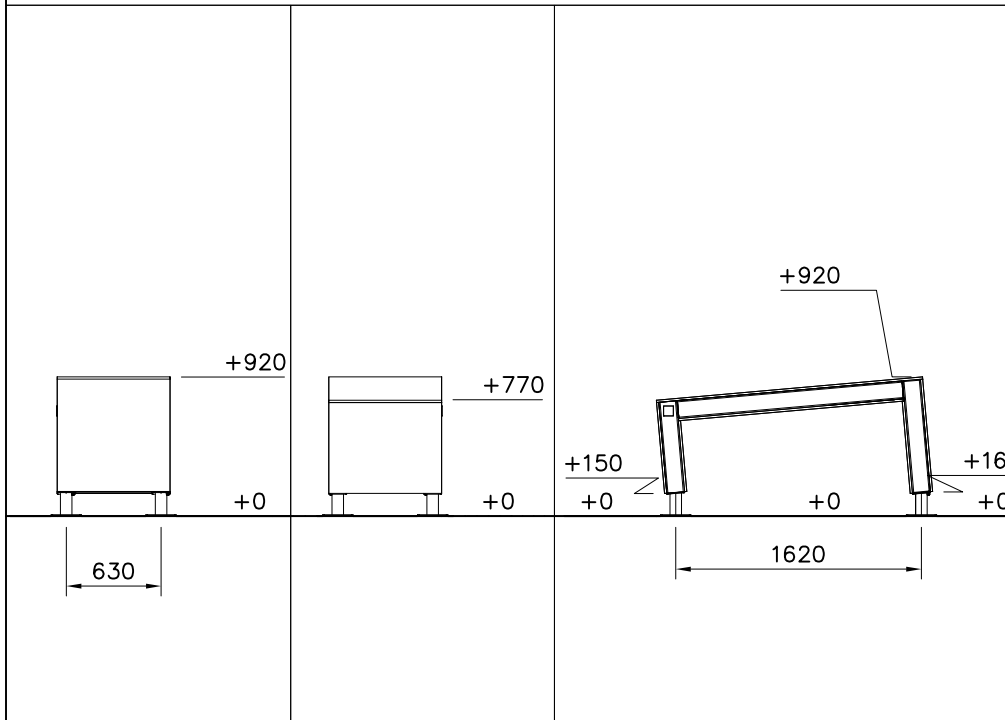
JIG DET A (USE DET 2-3)

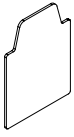
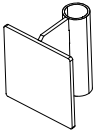



NOTE:  
Use drill jig 708857  
to predrill Ø5 $\nabla$ 50  
holes for 910266



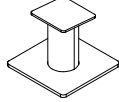



|  |           |  |          |
|--|-----------|--|----------|
| ① 702286<br><br>65x65               | PCS<br>1  | ② 707210<br><br>118x118x503   | PCS<br>4 |
| ③ 707213<br><br>118x118x1490        | PCS<br>2  | ④ 708127<br><br>118x118x603   | PCS<br>2 |
| ⑤ 708137<br><br>118x118x745         | PCS<br>2  | ⑥ 708721<br><br>15x745x1766   | PCS<br>1 |
| ⑦ 708725<br><br>15x603x745        | PCS<br>1  | ⑧ 708726<br><br>15x745x745  | PCS<br>1 |
| ⑨ 708834<br><br>15x745x470        | PCS<br>1  | ⑩ 708835<br><br>15x745x612  | PCS<br>1 |
| ⑪ 708857<br>JIG<br><br>20x133x149 | PCS<br>1  | ⑫ 709204<br><br>15x745x1495 | PCS<br>1 |
| ⑬ 900240<br><br>Ø8x70             | PCS<br>32 | ⑭ 903093<br><br>Ø8x90       | PCS<br>8 |
| ⑮ 905103<br><br>PT-28/32-H        | PCS<br>8  | ⑯ 905112<br><br>Ø22         | PCS<br>8 |

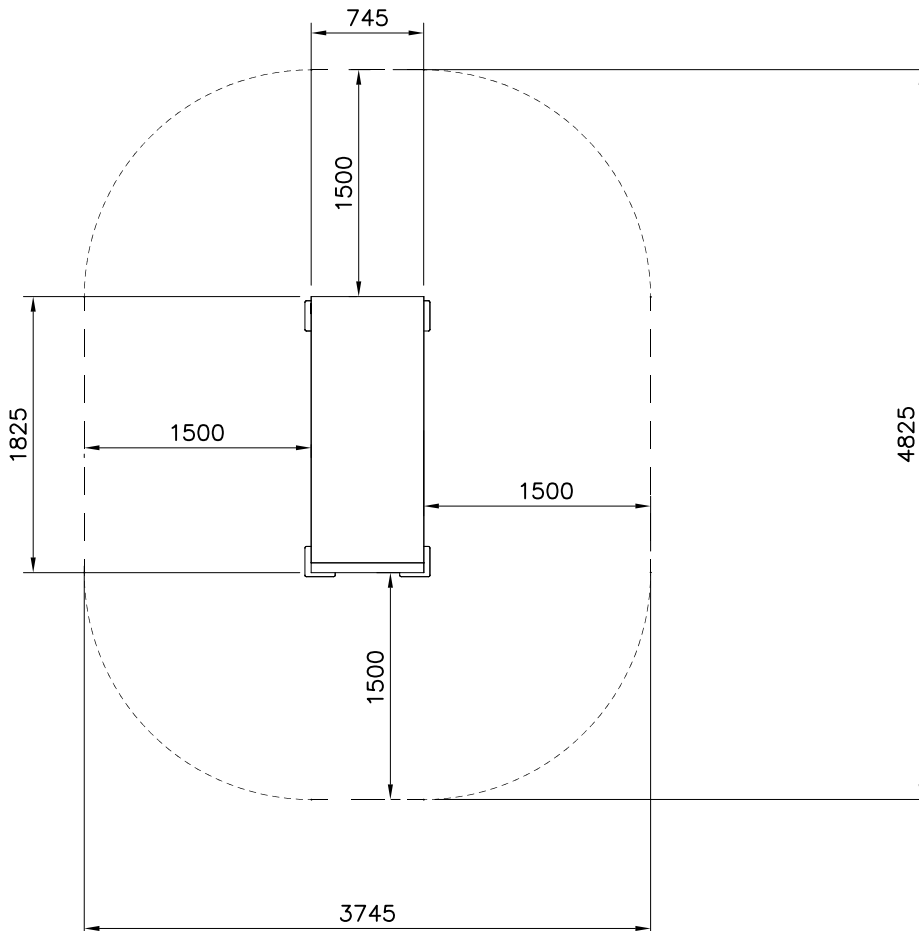
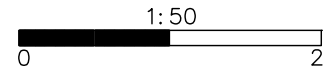


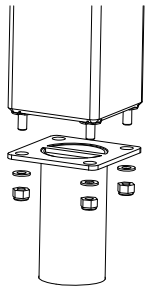
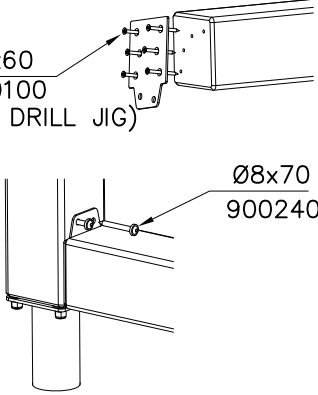
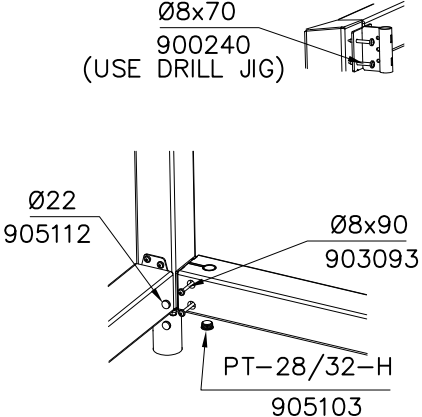
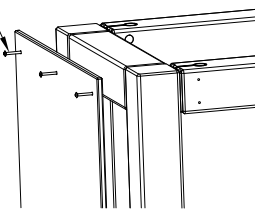
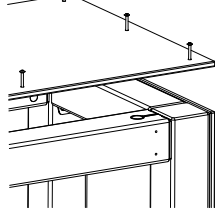
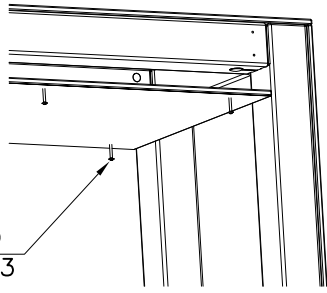
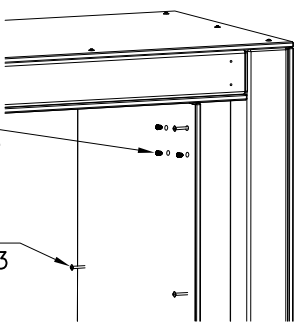
|   |     |   |     |   |     |   |     |   |     |  |     |  |     |
|---|-----|---|-----|---|-----|---|-----|---|-----|--|-----|--|-----|
| (17) 908698   | PCS | (18) 910266   | PCS | (19) 980114   | PCS | (20) 980100   | PCS | (21) 980123   | PCS |  | PCS |  | PCS |
|  | 8   |  | 4   |  | 4   |  | 48  |  | 38  |  |     |  |     |
| 3x114x108   |     | 90x108x118  |     | Ø4x20   |     | Ø5x60   |     | Ø7x60   |     |  |     |  |     |
|   | PCS |   | PCS |   | PCS |   |     |   |     |  |     |  |     |

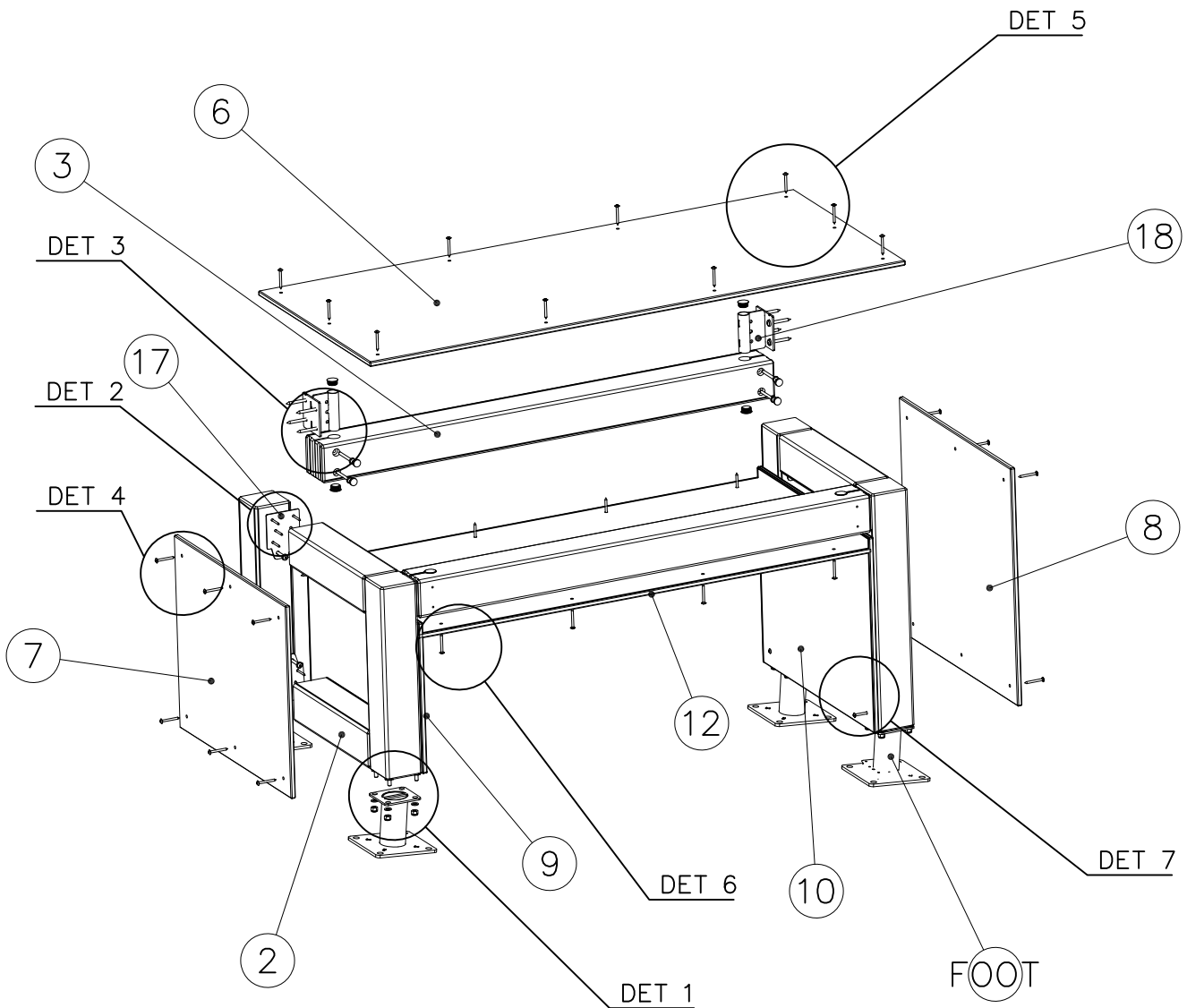
FOOT OPTIONS

|   |         |   |       |
|---|---------|---|-------|
| 709261+   | 709262+ |   |       |
| ○ 910267<br>SURFACE   | PCS 4   | ○ 910567<br>CONCRETE  | PCS 4 |
|  |         |  |       |
| 152x200x200   |         | 117x117x715   |       |

----- Falling Space 16.1 m<sup>2</sup>  
Max Falling Height 920 mm



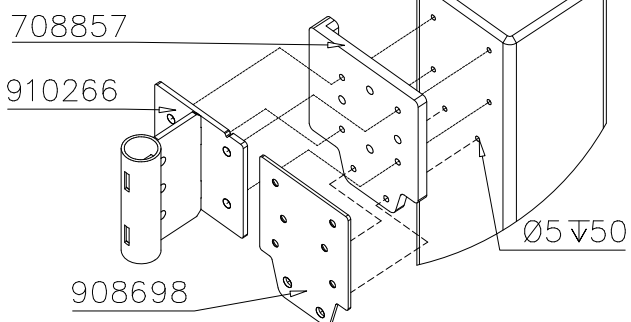
|  |  |   |
|--|--|---|
| <p>DET 1</p>    | <p>DET 2</p>  <p>Ø5x60<br/>980100<br/>(USE DRILL JIG)</p> <p>Ø8x70<br/>900240</p> | <p>DET 3</p>  <p>Ø8x70<br/>900240<br/>(USE DRILL JIG)</p> <p>Ø22<br/>905112</p> <p>Ø8x90<br/>903093</p> <p>PT-28/32-H<br/>905103</p> |
| <p>DET 4</p>  <p>Ø7x60<br/>980123</p>                          | <p>DET 5</p>  <p>Ø7x60<br/>980123</p>  | <p>DET 6</p>  <p>Ø7x60<br/>980123</p>   |
| <p>DET 7</p>  <p>SRL12<br/>903533</p> <p>Ø7x60<br/>980123</p> |  |   |



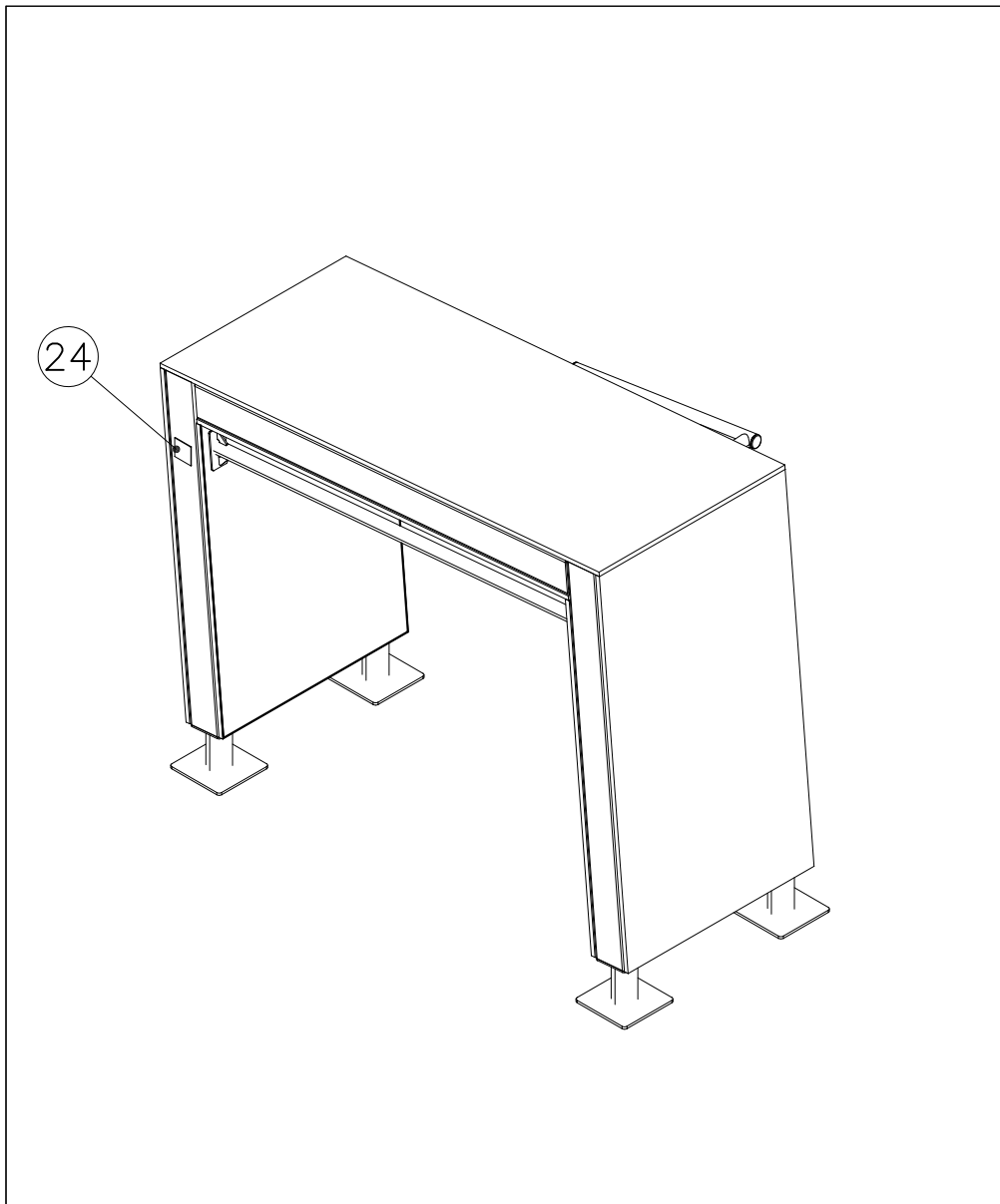
## JIG DET A (USE DET 2-3)

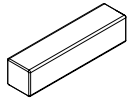



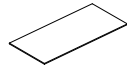
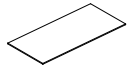

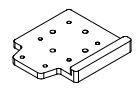

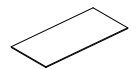
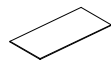





### NOTE:

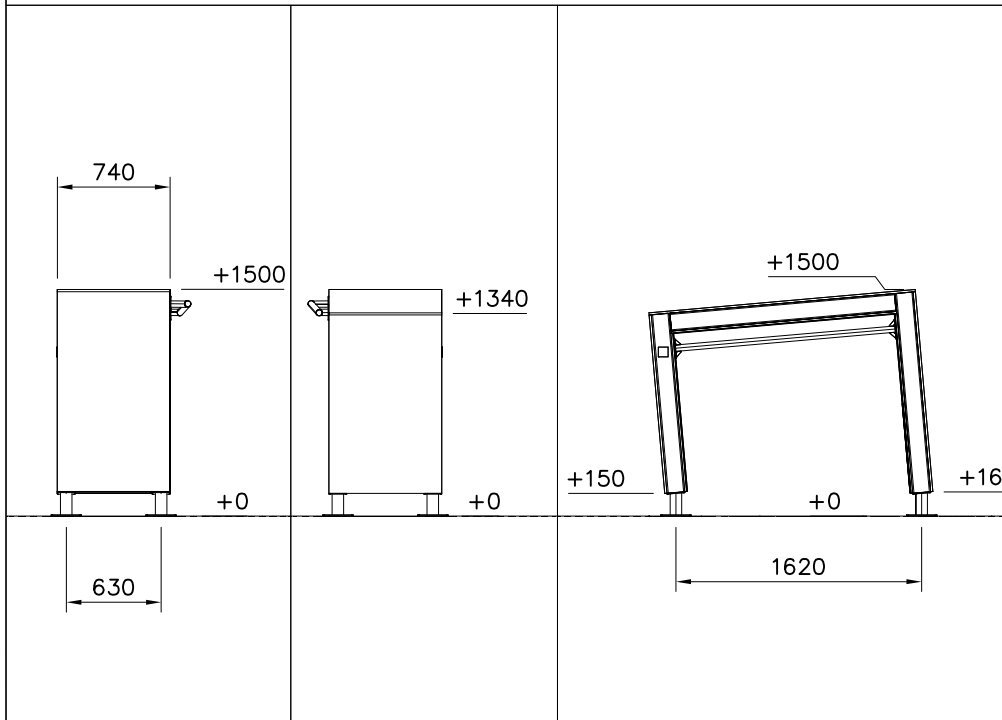
Use drill jig 708857 to predrill  $\text{Ø}5 \nabla 50$  holes for 910266 and 908698

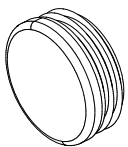
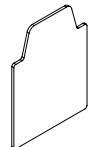
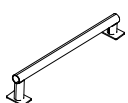
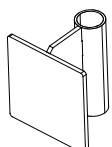
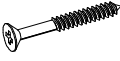



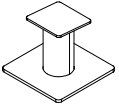





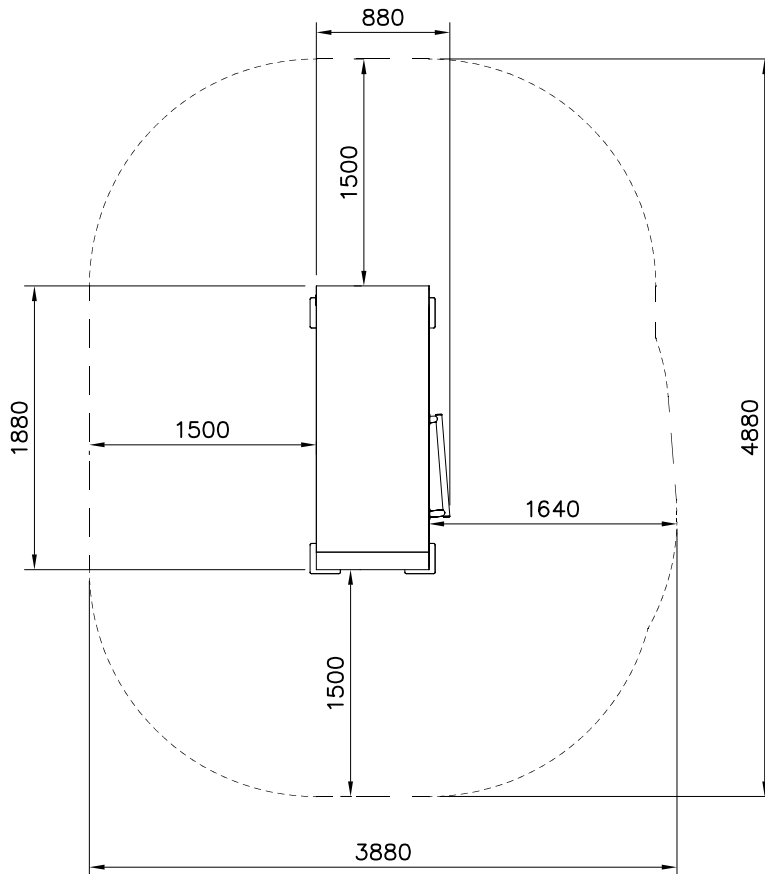
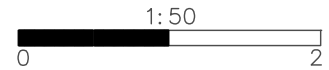


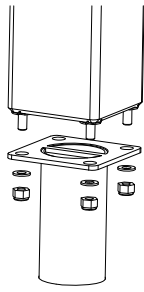
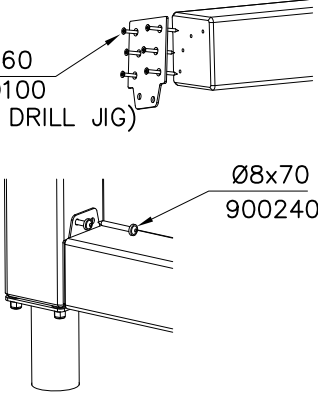
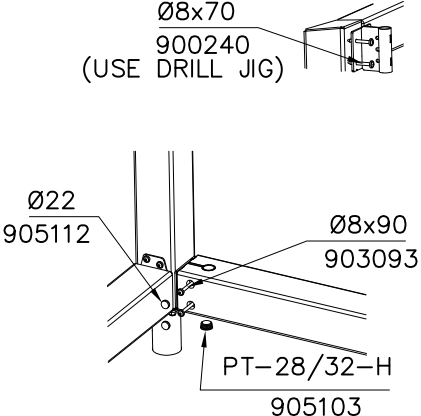
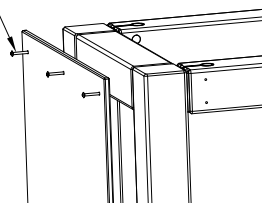
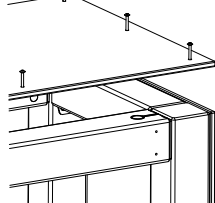
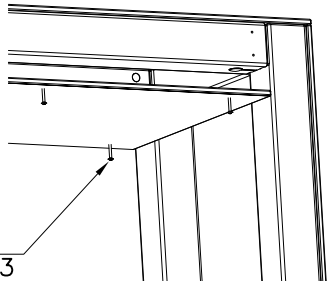
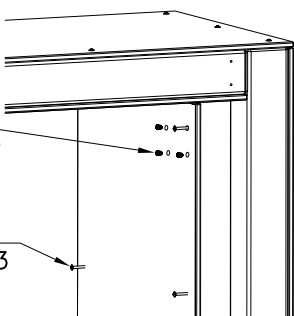
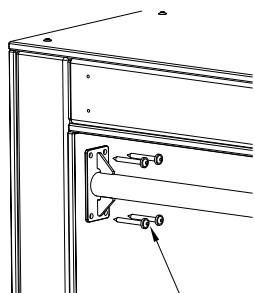
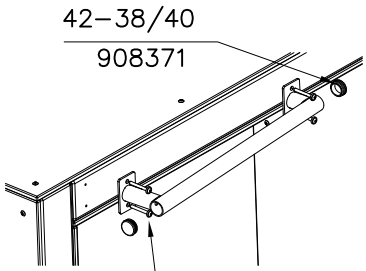
|   |          |   |           |
|---|----------|---|-----------|
| ① 707210<br><br>118x118x503            | PCS<br>4 | ② 707213<br><br>118x118x1490           | PCS<br>2  |
| ③ 708042<br><br>118x118x1185           | PCS<br>2 | ④ 708125<br><br>118x118x1326           | PCS<br>2  |
| ⑤ 708721<br><br>15x745x1766            | PCS<br>1 | ⑥ 708723<br><br>15x745x1185            | PCS<br>1  |
| ⑦ 708724<br><br>15x745x1326          | PCS<br>1 | ⑧ 708857<br>JIG<br><br>20x133x149    | PCS<br>1  |
| ⑨ 911103<br>COLOR<br><br>15x745x1495 | PCS<br>1 | ⑩ 911305<br>COLOR<br><br>15x745x1192 | PCS<br>1  |
| ⑪ 911307<br>COLOR<br><br>15x745x1050 | PCS<br>1 | ⑫ 900240<br><br>Ø8x70                | PCS<br>44 |
| ⑬ 903093<br><br>Ø8x90                | PCS<br>8 | ⑭ 903533<br><br>SRL12                | PCS<br>6  |
| ⑮ 905103<br><br>PT-28/32-H           | PCS<br>8 | ⑯ 905112<br><br>Ø22                  | PCS<br>8  |

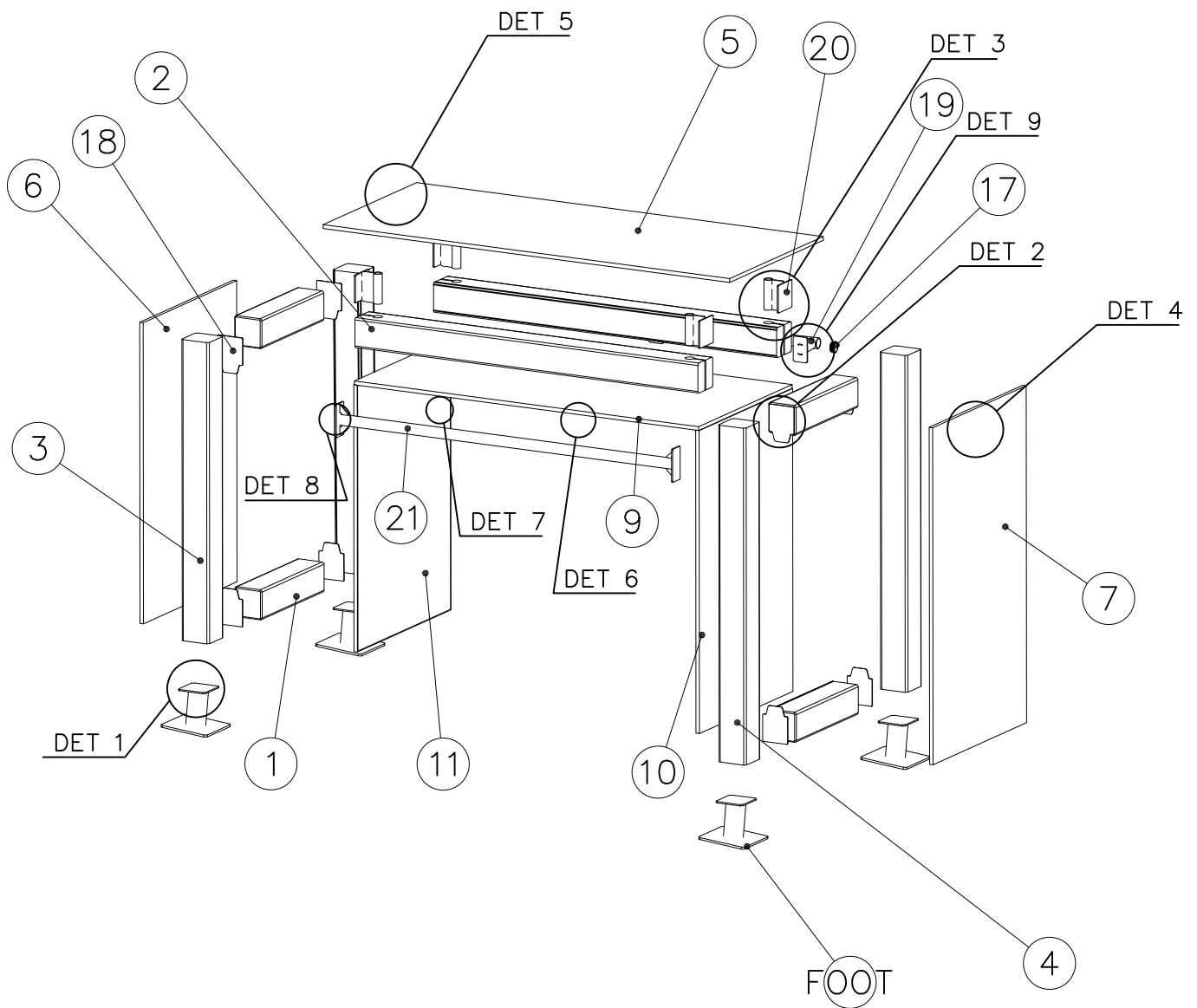


|  |           |  |          |   |          |   |          |  |  |  |          |
|--|-----------|--|----------|---|----------|---|----------|--|--|--|----------|
| ⑰ 908371<br><br>42-38/40 | PCS<br>2  | ⑱ 910056<br><br>140x690 | PCS<br>1 | ⑳ 910266<br><br>90x108x118 | PCS<br>4 | ㉑ 910328<br><br>L 1466                          | PCS<br>1 | ㉒ 980100<br><br>Ø5x60 | PCS<br>48  |  | PCS      |
| ㉓ 980123<br><br>Ø7x60   | PCS<br>50 | ㉔ 702286<br><br>65x65   | PCS<br>1 | ㉕ 980114<br><br>Ø4x20      | PCS<br>4 | FOOT OPTIONS  |          |  |  |  |          |
|  |           |  |          |   |          | 709261+<br>① 910267 SURFACE<br><br>152x200x200 |          | PCS<br>4   | 709262+<br>① 910567 CONCRETE<br><br>117x117x715 |  | PCS<br>4 |

----- Falling Space 16.5 m<sup>2</sup>  
Max Falling Height 1500 mm

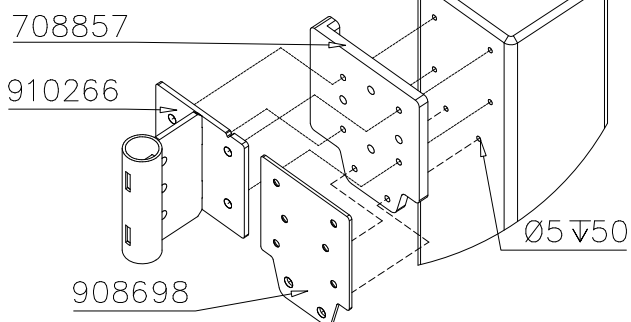


|   |  |   |
|---|--|---|
| <p>DET 1</p>   | <p>DET 2</p>  <p>Ø5x60<br/>980100<br/>(USE DRILL JIG)</p> <p>Ø8x70<br/>900240</p> | <p>DET 3</p>  <p>Ø8x70<br/>900240<br/>(USE DRILL JIG)</p> <p>Ø22<br/>905112</p> <p>Ø8x90<br/>903093</p> <p>PT-28/32-H<br/>905103</p> |
| <p>DET 4</p>  <p>Ø7x60<br/>980123</p>   | <p>DET 5</p>  <p>Ø7x60<br/>980123</p>  | <p>DET 6</p>  <p>Ø7x60<br/>980123</p>   |
| <p>DET 7</p>  <p>SRL12<br/>903533</p> <p>Ø7x60<br/>980123</p>  | <p>DET 8</p>  <p>Ø8x70<br/>900240</p>   |   |
| <p>DET 9 DRILL PREHOLES BEFORE INSTALLING HANDLES</p>  <p>42-38/40<br/>908371</p> <p>Ø8x70<br/>900240</p> |  |   |

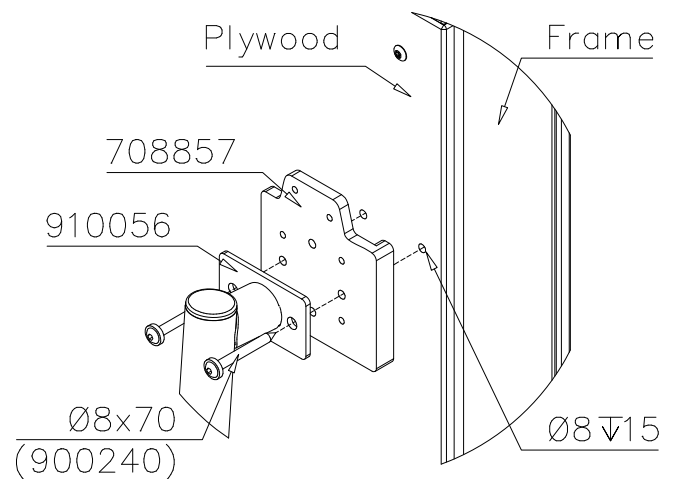


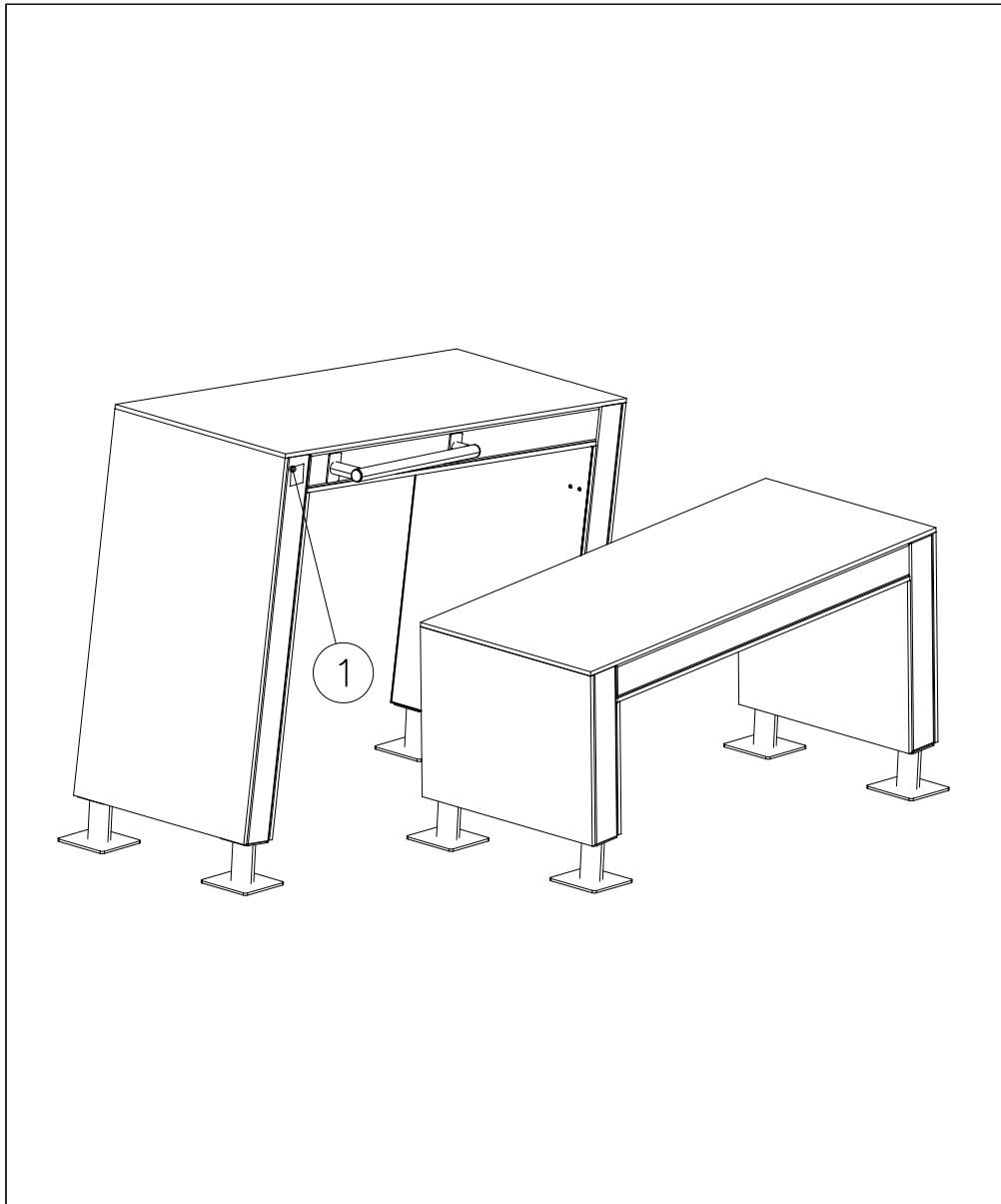
### JIG DET A (USE DET 2-3)


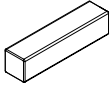
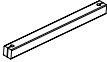






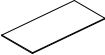
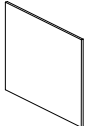

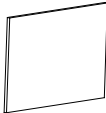
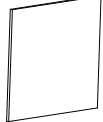
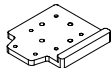

NOTE:  
Use drill jig 708857  
to predrill  $\text{Ø}5 \nabla 50$   
holes for 910266  
and 908698

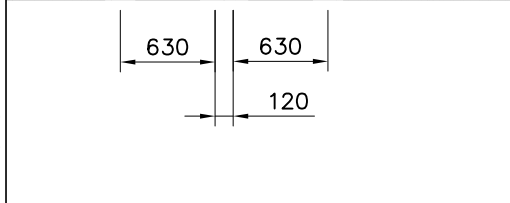
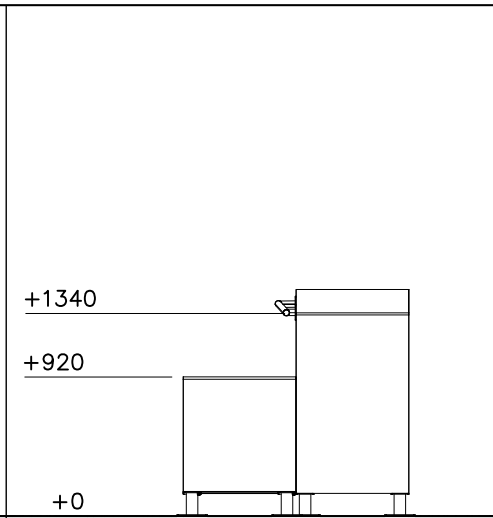
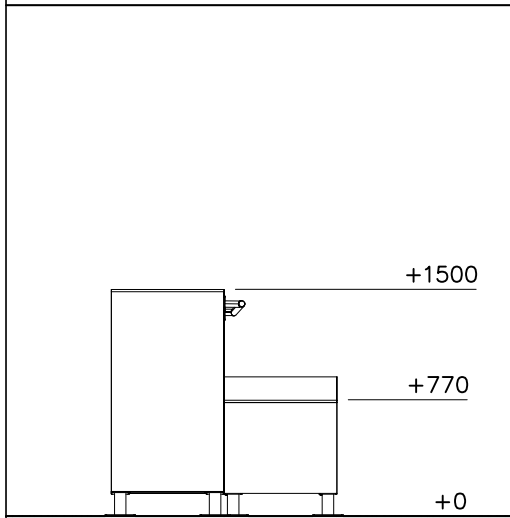


### JIG DET B (USE DET 9, 10)





|  |          |  |          |
|--|----------|--|----------|
| ① 702286<br><br>65x65               | PCS<br>1 | ② 707210<br><br>118x118x503   | PCS<br>8 |
| ③ 707213<br><br>118x118x1490        | PCS<br>4 | ④ 708042<br><br>118x118x1185  | PCS<br>2 |
| ⑤ 708125<br><br>118x118x1326        | PCS<br>2 | ⑥ 708127<br><br>118x118x603   | PCS<br>2 |
| ⑦ 708137<br><br>118x118x745       | PCS<br>2 | ⑧ 708721<br><br>15x745x1766 | PCS<br>2 |
| ⑨ 708723<br><br>15x745x1185       | PCS<br>1 | ⑩ 708724<br><br>15x745x1326 | PCS<br>1 |
| ⑪ 708725<br><br>15x603x745        | PCS<br>1 | ⑫ 708726<br><br>15x745x745  | PCS<br>1 |
| ⑬ 708834<br><br>15x745x470        | PCS<br>1 | ⑭ 708835<br><br>15x745x612  | PCS<br>1 |
| ⑮ 708857<br>JIG<br><br>20x133x149 | PCS<br>1 | ⑯ 709204<br><br>15x745x1495 | PCS<br>1 |

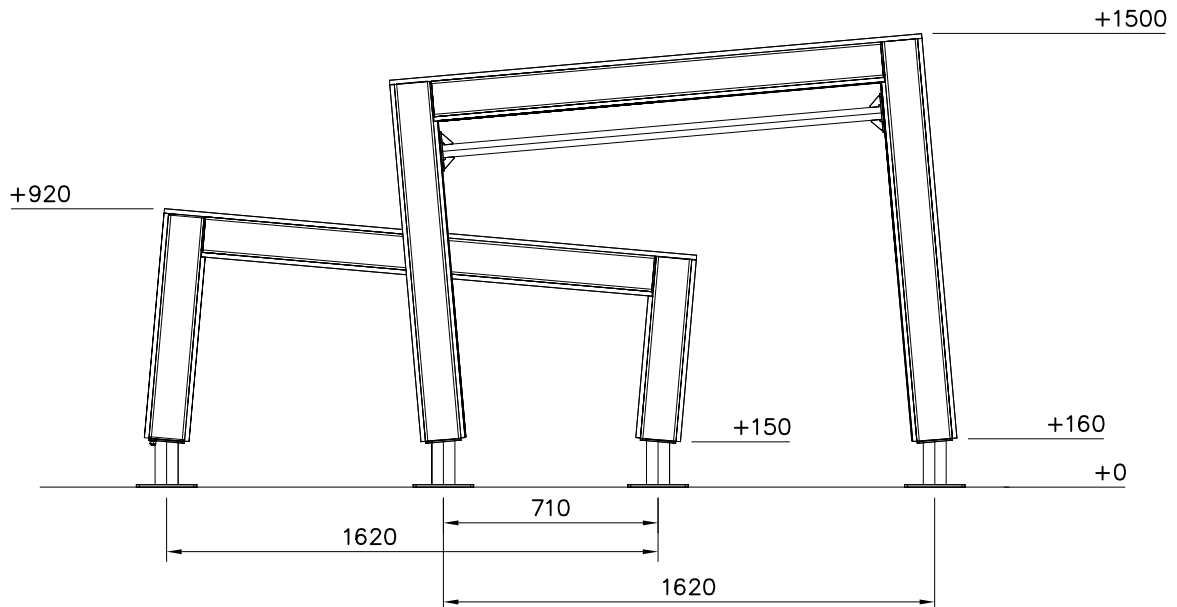


|              |                 |          |             |                 |           |             |                 |           |          |        |           |           |        |           |         |        |           |
|--------------|-----------------|----------|-------------|-----------------|-----------|-------------|-----------------|-----------|----------|--------|-----------|-----------|--------|-----------|---------|--------|-----------|
| 17           | 911303<br>COLOR | PCS<br>1 | 18          | 911305<br>COLOR | PCS<br>1  | 19          | 911307<br>COLOR | PCS<br>1  | 20       | 900240 | PCS<br>76 | 21        | 903093 | PCS<br>16 | 22      | 903533 | PCS<br>6  |
|              |                 |          |             |                 |           |             |                 |           |          |        |           |           |        |           |         |        |           |
| 15x745x1495  |                 |          | 15x745x1192 |                 |           | 15x745x1050 |                 |           | Ø8x70    |        |           | Ø8x90     |        |           | SRL12   |        |           |
| 23           | 905086          | PCS<br>2 | 24          | 905103          | PCS<br>16 | 25          | 905112          | PCS<br>16 | 26       | 908371 | PCS<br>2  | 27        | 908698 | PCS<br>16 | 28      | 909132 | PCS<br>1  |
|              |                 |          |             |                 |           |             |                 |           |          |        |           |           |        |           |         |        |           |
| Ø44/13.5x3.9 |                 |          | PT-28/32-H  |                 |           | Ø22         |                 |           | 42-38/40 |        |           | 3x114x108 |        |           | M12x280 |        |           |
| 29           | 909248          | PCS<br>1 | 30          | 910056          | PCS<br>1  | 31          | 910266          | PCS<br>8  | 32       | 980123 | PCS<br>88 | 33        | 910328 | PCS<br>1  | 34      | 980100 | PCS<br>96 |
|              |                 |          |             |                 |           |             |                 |           |          |        |           |           |        |           |         |        |           |
| M12          |                 |          | 140x690     |                 |           | 90x108x118  |                 |           | Ø7x60    |        |           | L 1466    |        |           | Ø5x60   |        |           |

|       |        |          |
|-------|--------|----------|
| 35    | 980114 | PCS<br>4 |
|       |        |          |
| Ø4x20 |        |          |

FOOT OPTIONS

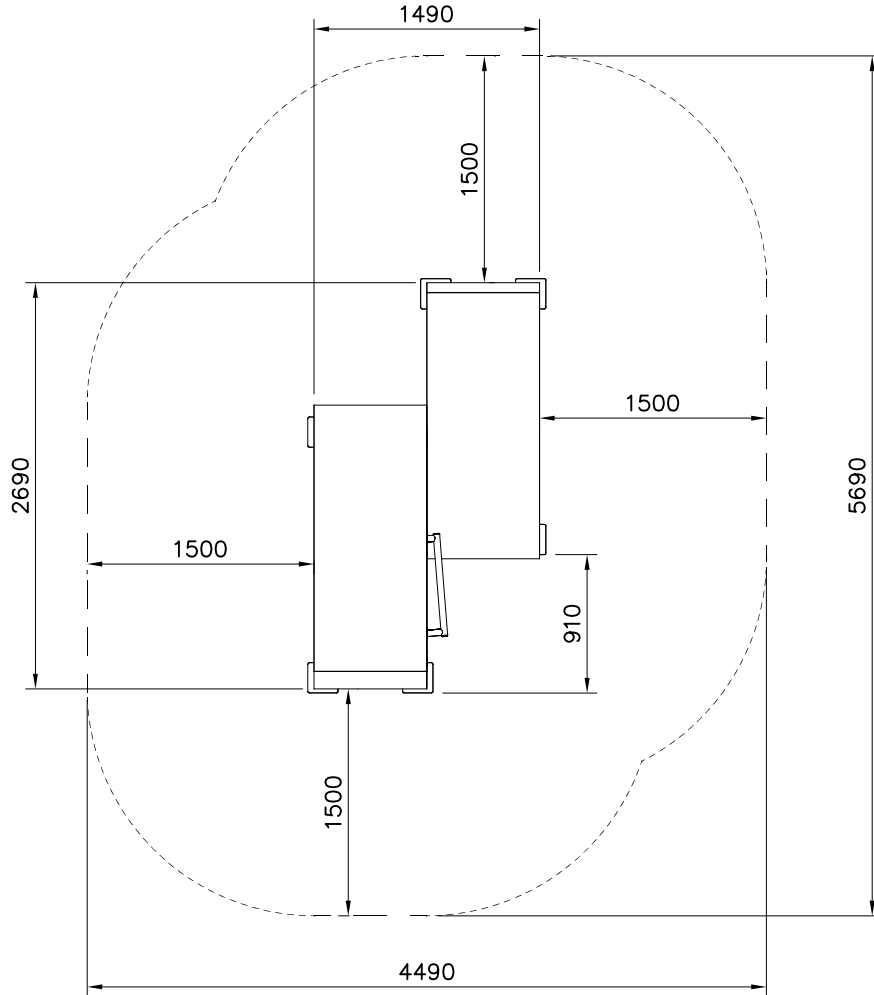
|             |          |             |          |
|-------------|----------|-------------|----------|
| 709261+     |          | 709262+     |          |
| ○ 910267    | PCS<br>8 | ○ 910567    | PCS<br>8 |
| SURFACE     |          | CONCRETE    |          |
|             |          |             |          |
| 152x200x200 |          | 117x117x715 |          |



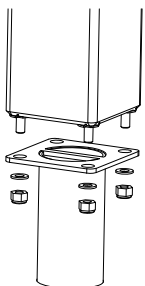
1:50



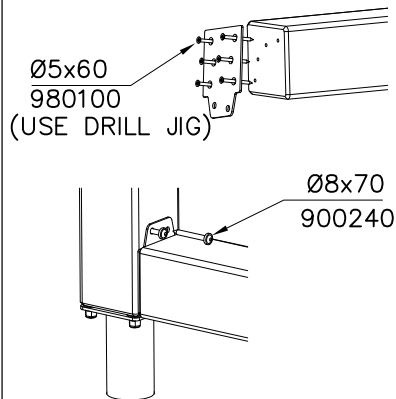
----- Falling Space 21.5 m<sup>2</sup>  
Max Falling Height 1500 mm



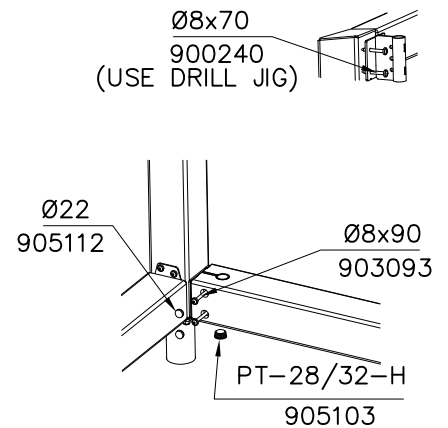
DET 1

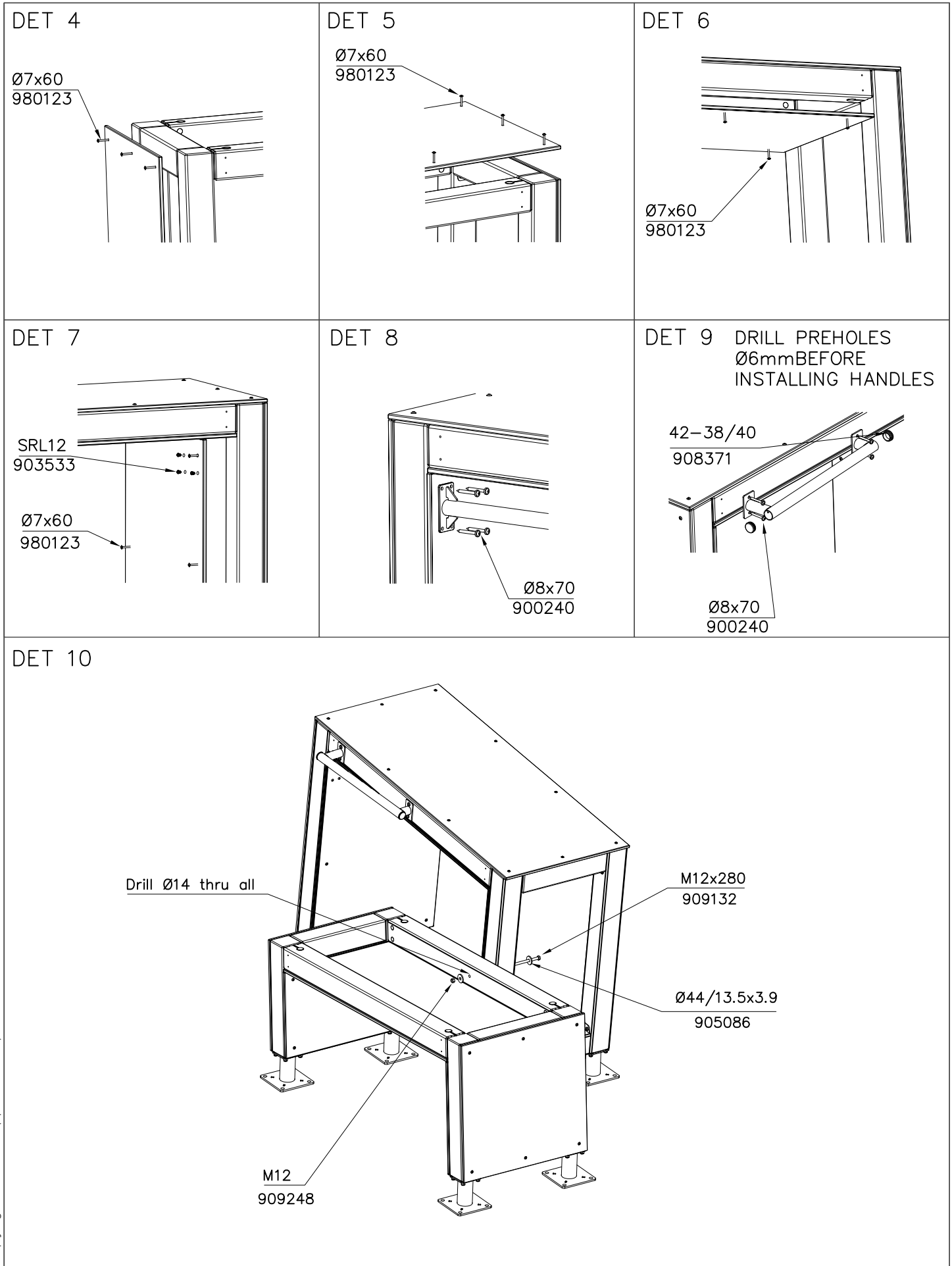


DET 2

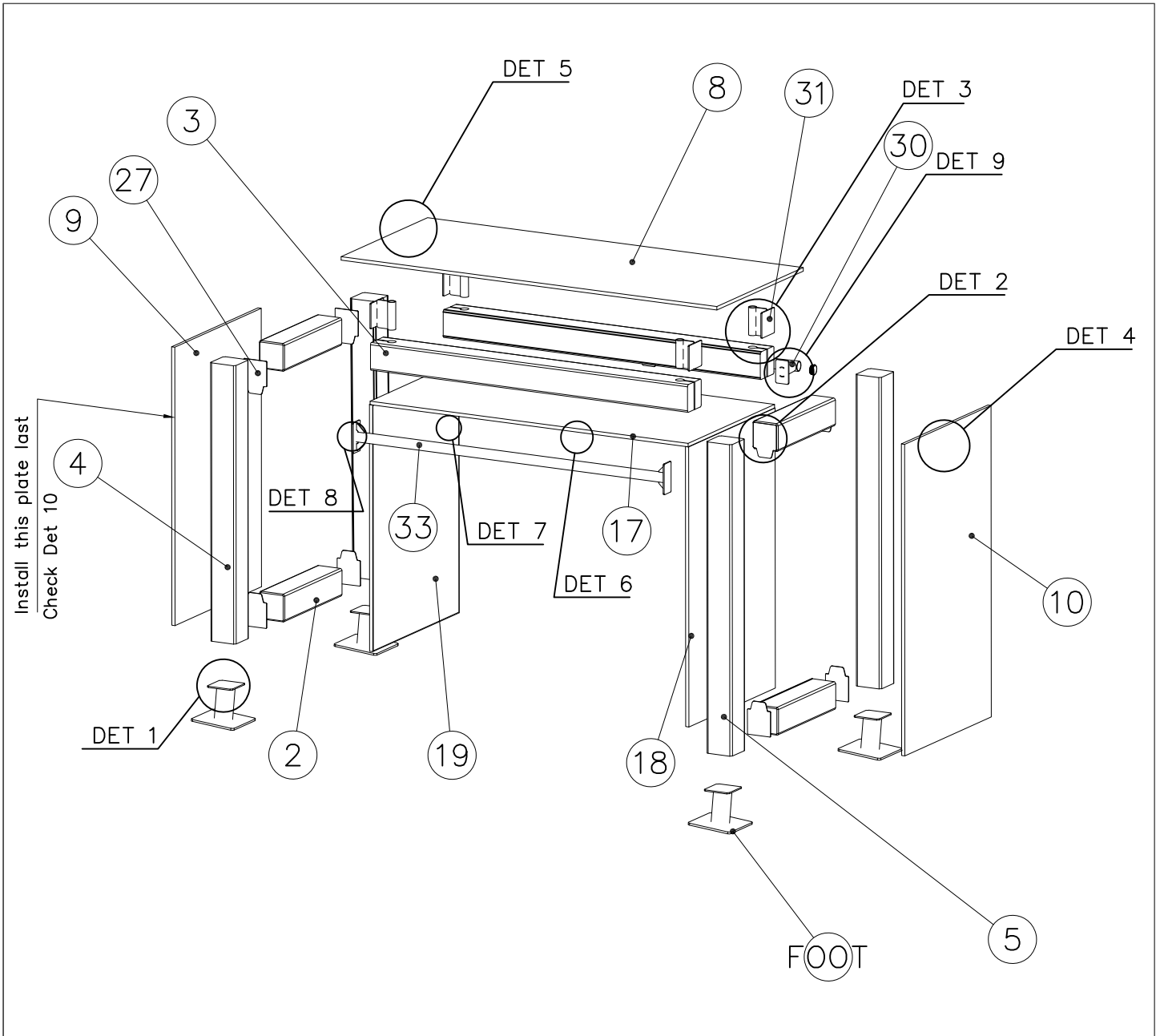


DET 3





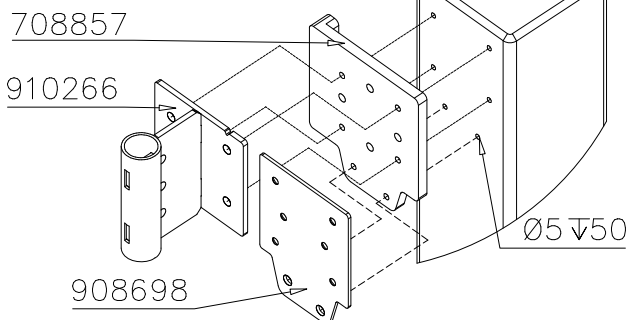




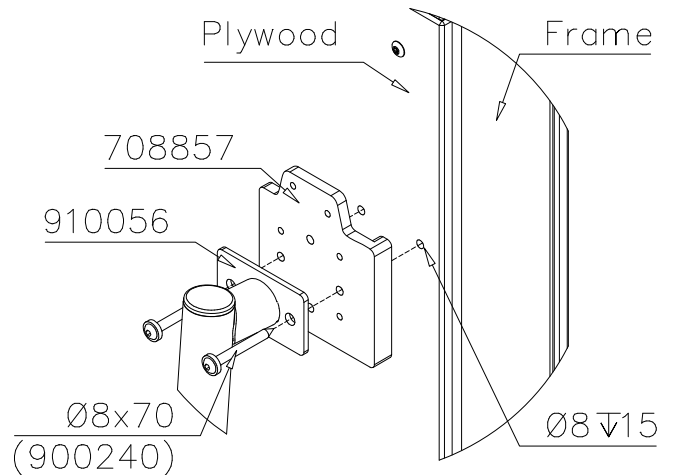
### JIG DET A (USE DET 2-3)

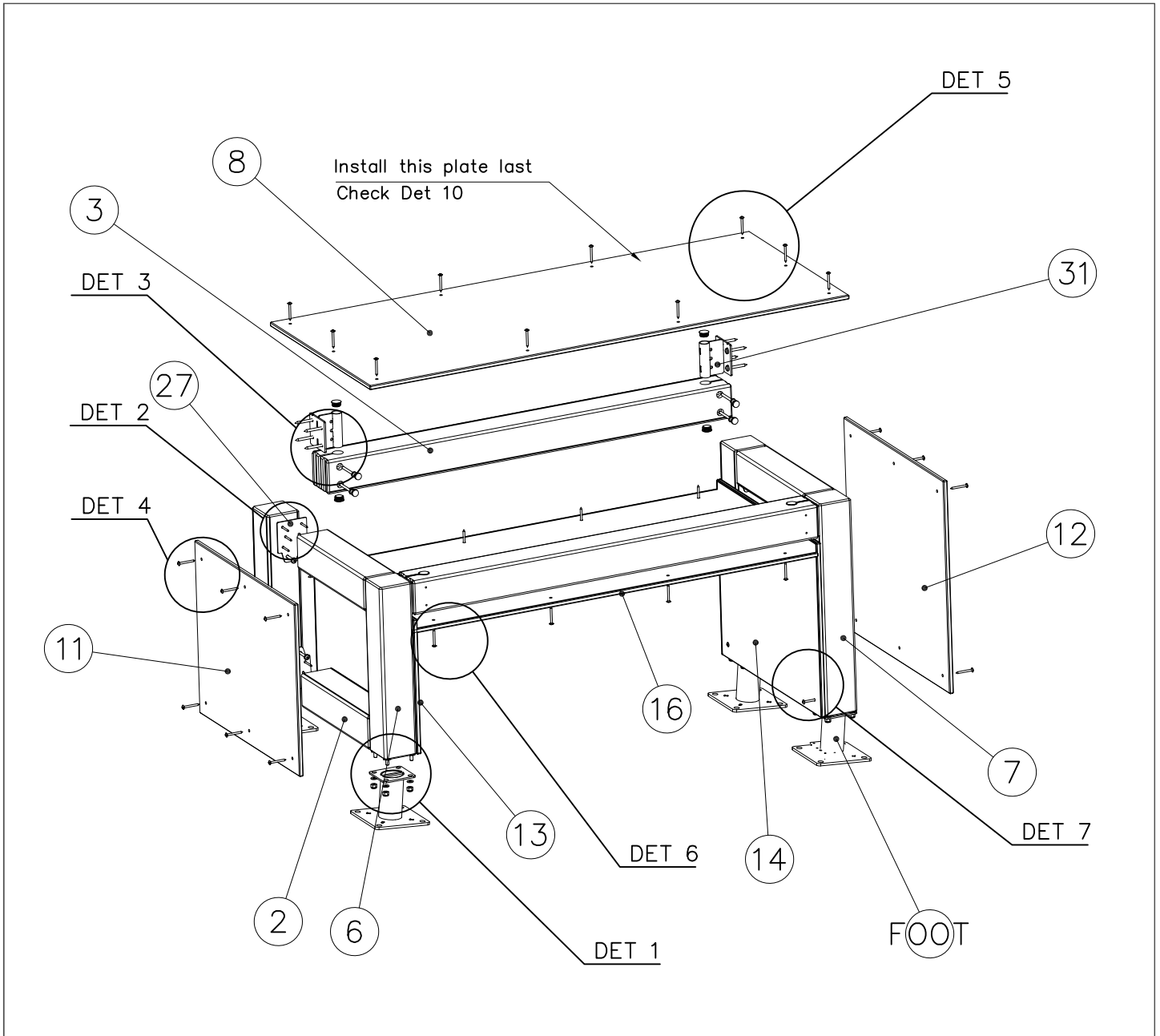
**NOTE:**

Use drill jig 708857 to predrill  $\text{Ø}5 \nabla 50$  holes for 910266 and 908698



### JIG DET B (USE DET 9)





### JIG DET A (USE DET 2-3)

**NOTE:**

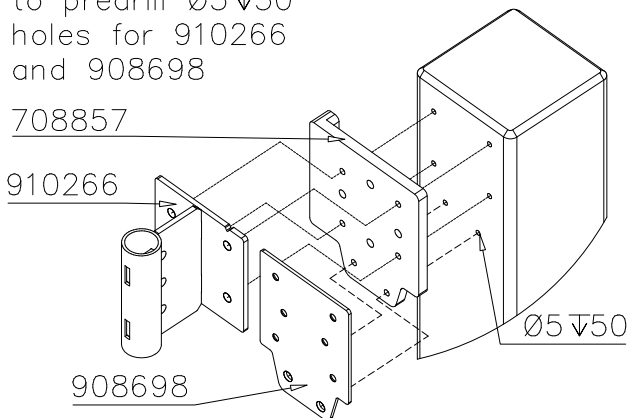
Use drill jig 708857  
to predrill  $\text{Ø}5 \nabla 50$   
holes for 910266  
and 908698

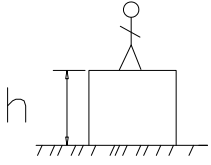
708857

910266

908698

$\text{Ø}5 \nabla 50$





$h < 1600$

Totally hard surfaces or materials with very limited impact attenuating properties.

Case by case risk assessment is needed including e.g. evaluation whether there is forced movement, what is the intended exercise and where will the product be installed.

Materials with significant impact attenuating properties.

Totally hard surfaces.  
E.g. concrete or asphalt



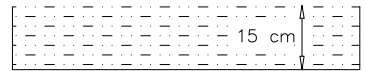
Materials with very limited impact attenuating properties.  
E.g. wood



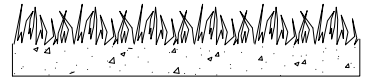
fine gravel 0–8 mm



Unsorted sand/ topsoil



Lawn

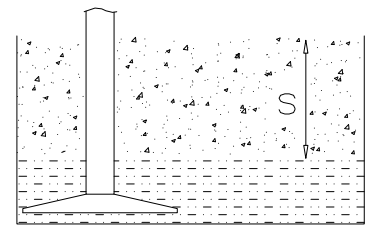


$h = 1600-$

$h < 3000$

Loose fill material

E.g.  
sand/gravel 0,25...8 mm  $D_{60}/D_{10} < 3,0$   
Woodchips 5...30 mm  
bark 20...80 mm

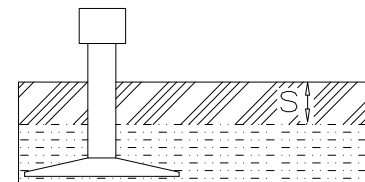


$\underline{S}$   
30 cm       $\underline{h}$   
                 < 3,0 m

Synthetic granulates

| $\underline{S}$ | $\underline{h}$    |
|-----------------|--------------------|
| 40 mm           | ~> 1,6...~< 1,8 m  |
| 50 mm           | ~> 1,8...~< 2,25 m |
| 55 mm           | ~> 2,25...~< 2,4 m |
| 60 mm           | ~> 2,4...~< 2,55 m |
| 70 mm           | ~> 2,55...~< 3,0 m |

Note. For accurate values, see manufacturer's instructions.





**Tuotekyltti tulee tuotteen mukana yhdellä seuraavista tavoista:**

**1) Metallinen tuotekyltti ja kiinnitysruuvit**

- Kiinnitä tuotekyltti ruuveilla tolppaan noin 2 metrin korkeuteen kuvan 1 mukaisesti.

**2) Tuotekyltitarra**

- Puhdista maalattu metalli- tai vaneripinta pölystä ja kosteudesta. Liimaa tarra kuvan 2 mukaisesti.
- Huom. Älä kiinnitä tarraa karheapintaiseen laminaattiin tai maalattuun puuhun.

**Vår produktmärkning levereras på ett av följande sätt:**

**1) Produktskylt i metall**

- Fäst skylten med de medföljande skruvarna

**2) Självhäftande produktetikett**

- Rengör den pulverlackerade metallytan eller laminatyten så att den blir fri från smuts och fukt. Fäst etiketten enligt fig. 2.
- Obs! Fäst ej etiketten på detaljer med skrovlig yta eller på målat trä.

**Product label is delivered by one of following ways:**

**1) Metal product label and screws**

- Fasten the label with screws.

**2) Label sticker**

- Clean the painted metal or plywood surface from dirt and moisture. Fasten the sticker as shown in the figure 2.
- Note. Do not attach the sticker to rough surfaced laminate or painted wood.

**La plaque d'informations produit est livrée sous l'une de ces 3 formes :**

**1) Plaque métallique et vis**

- Fixez la plaque à l'aide des vis.

**2) Etiquette autocollante**

- Avant de coller l'étiquette, nettoyez le composant métallique peint ou la plaque de contreplaqué, de toute saleté. La surface doit être sèche (voir image 2).
- Attention, ne pas coller l'étiquette sur une surface lamellé-collée irrégulière ou sur du bois peint.

**Die Auslieferung des Produktaufklebers erfolgt auf eine dieser Arten:**

**1) Produkt-Schild aus Metall incl. Schrauben**

- Die Befestigung des Schildes erfolgt mittels der Schrauben.

**2) Aufkleber**

- Entfernen Sie zunächst Schmutz und Feuchtigkeit vom lackierten Metall bzw. von der Holzoberfläche und bringen Sie den Aufkleber wie im Bild oben rechts beschrieben auf den gesäuberten Untergrund auf.
- Beachten Sie: Bringen Sie den Aufkleber nicht auf raues laminiertes oder lackiertes Holz an.