

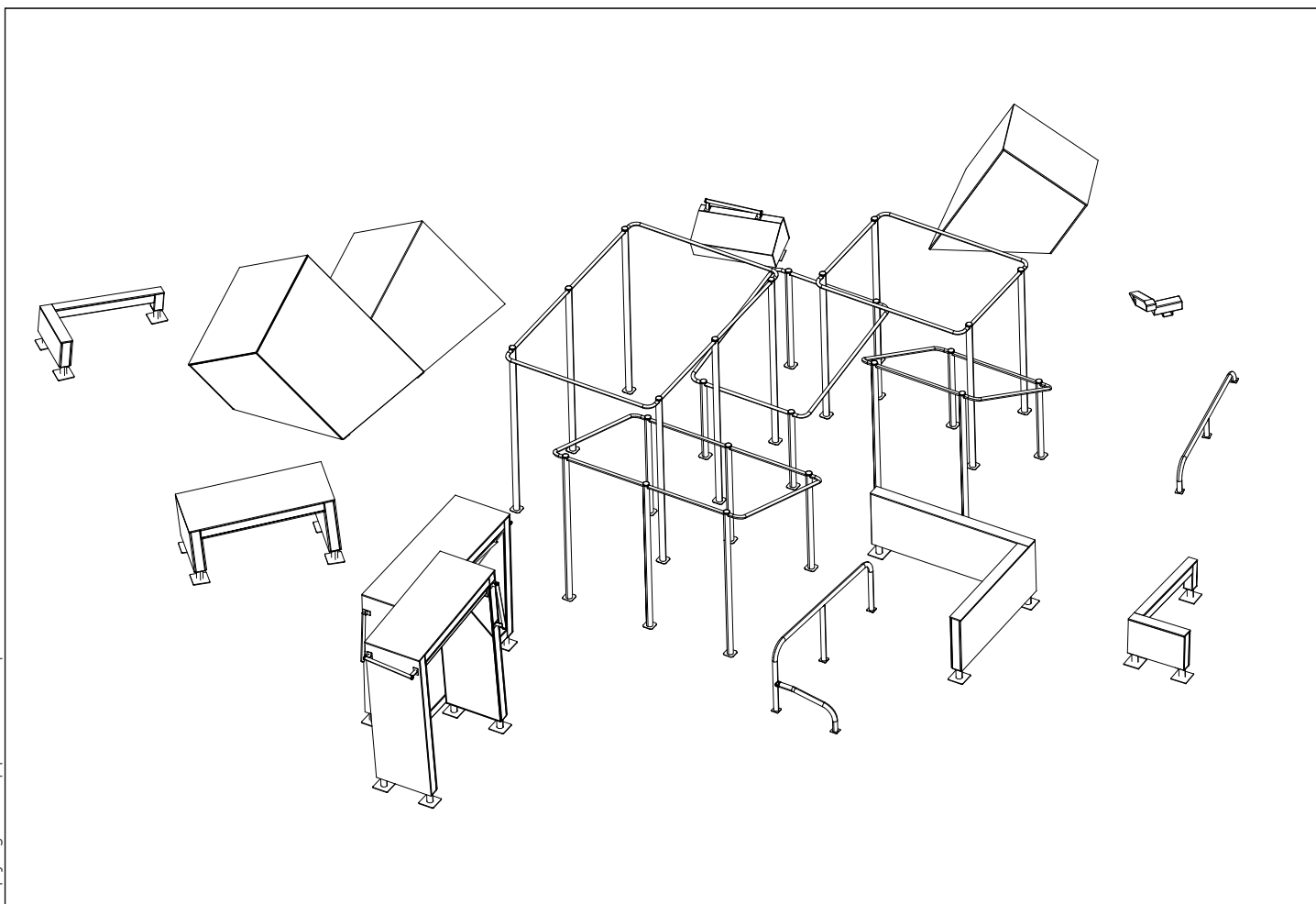
# **LAPPSET®**

## **DASH PARKOUR**

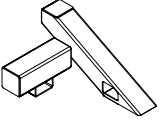

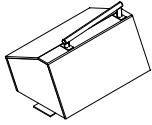

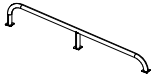

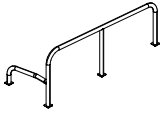

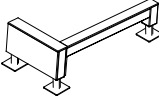

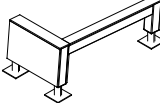

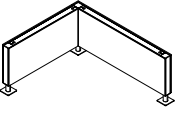

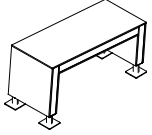

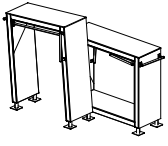

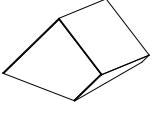

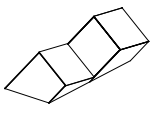

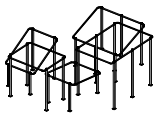

ASENNUSOHJE  
MONTERINGSANSVISNING  
INSTALLATION INSTRUCTION  
AUFBAUANLEITUNG  
NOTICE D'INSTALLATION

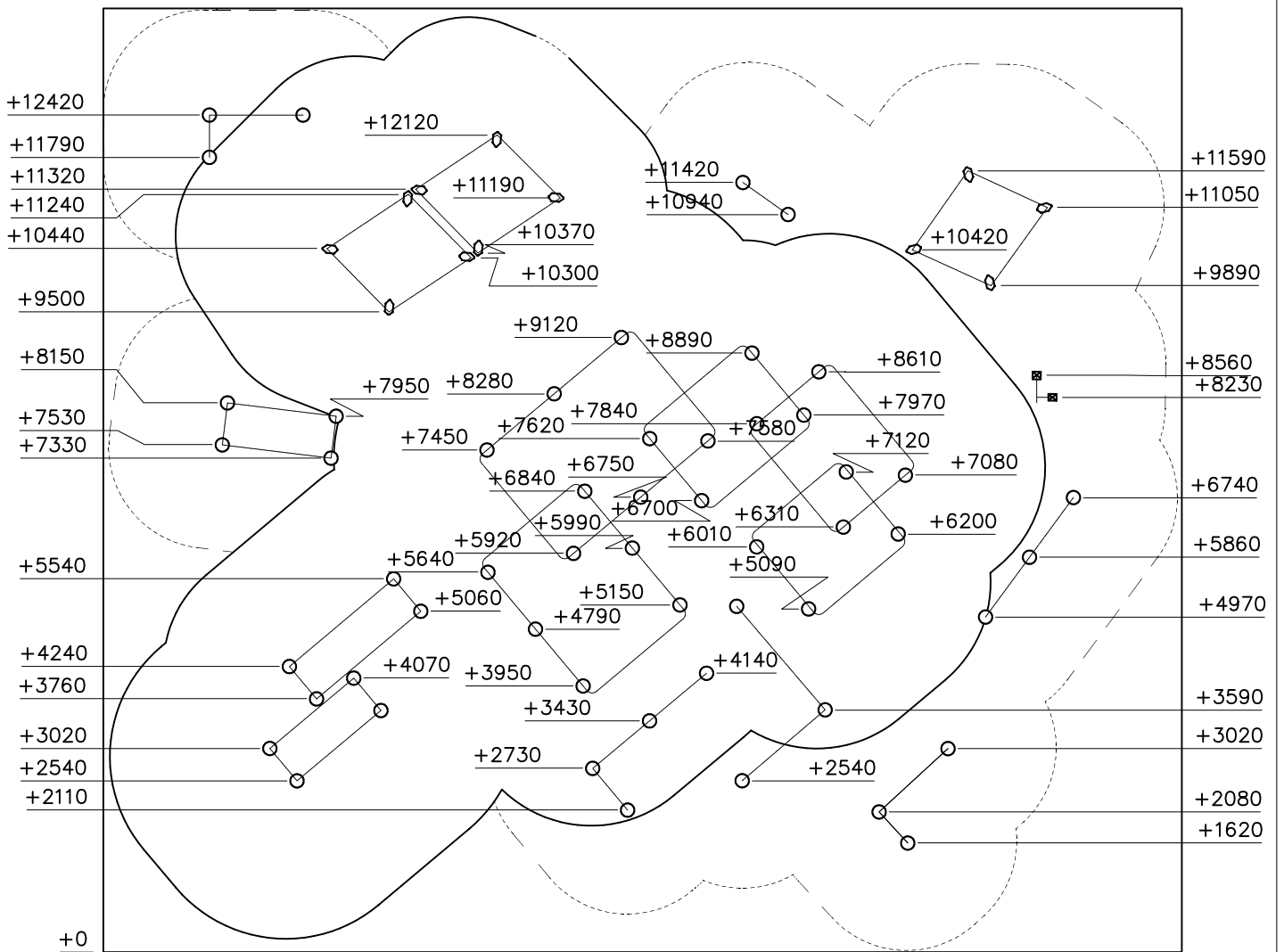
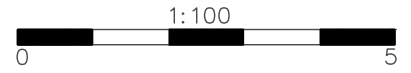
DATE: 20.1.2020

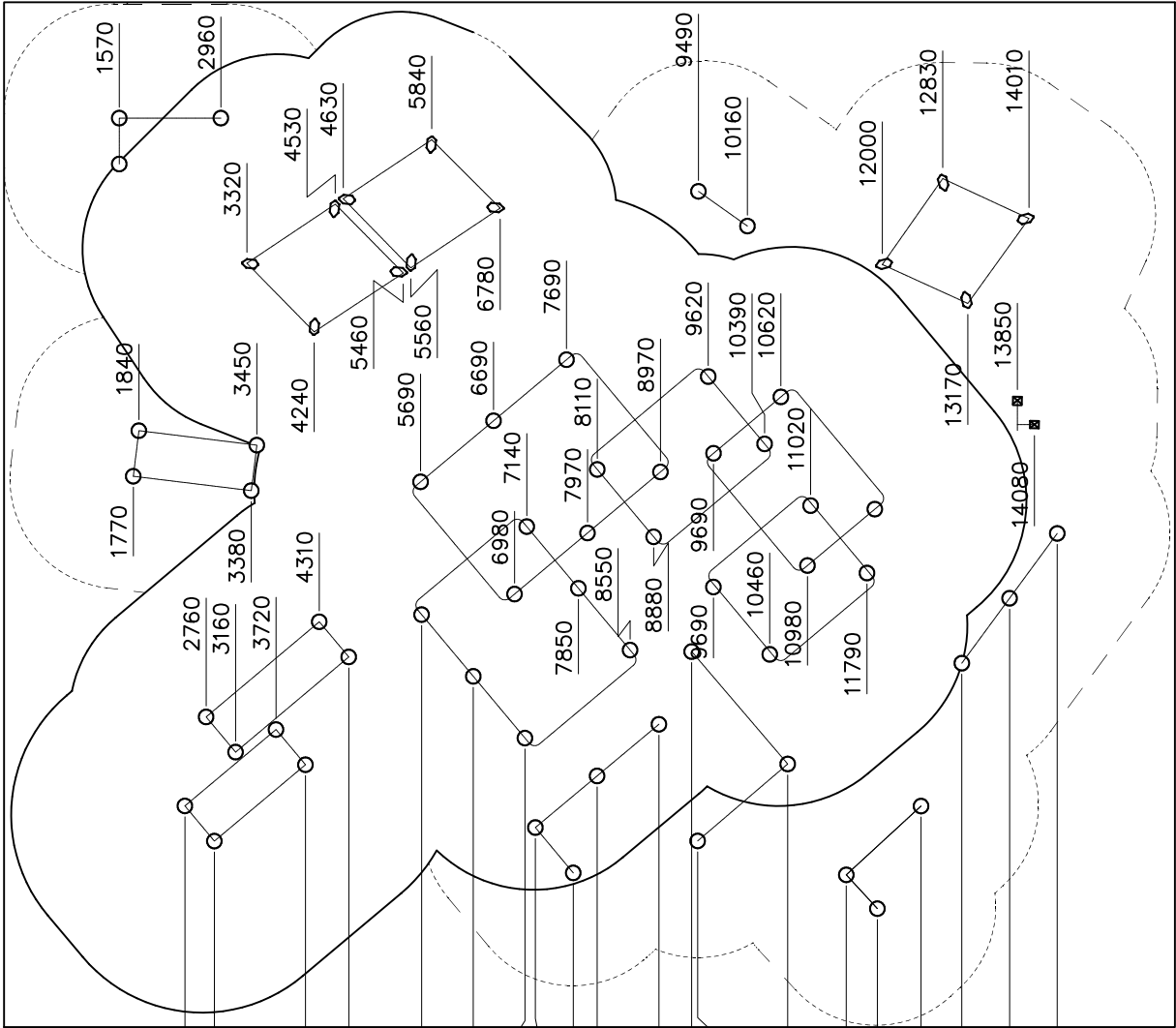
### **081787M**



DATE: 20.1.2020

081701M  	PCS 1	081702M  	PCS 1	081710M  	PCS 1	081712M  	PCS 1	081720M  	PCS 1	081721M  	PCS 1
081722M  	PCS 1	081730M  	PCS 1	081738M  	PCS 1	081740M  	PCS 1	081743M  	PCS 1	081752M  	PCS 1
	PCS		PCS		PCS		PCS		PCS		PCS
	PCS		PCS		PCS		PCS		PCS		PCS
	PCS		PCS		PCS		PCS		PCS		PCS
	PCS		PCS		PCS		PCS		PCS		PCS
	PCS		PCS		PCS		PCS		PCS		PCS

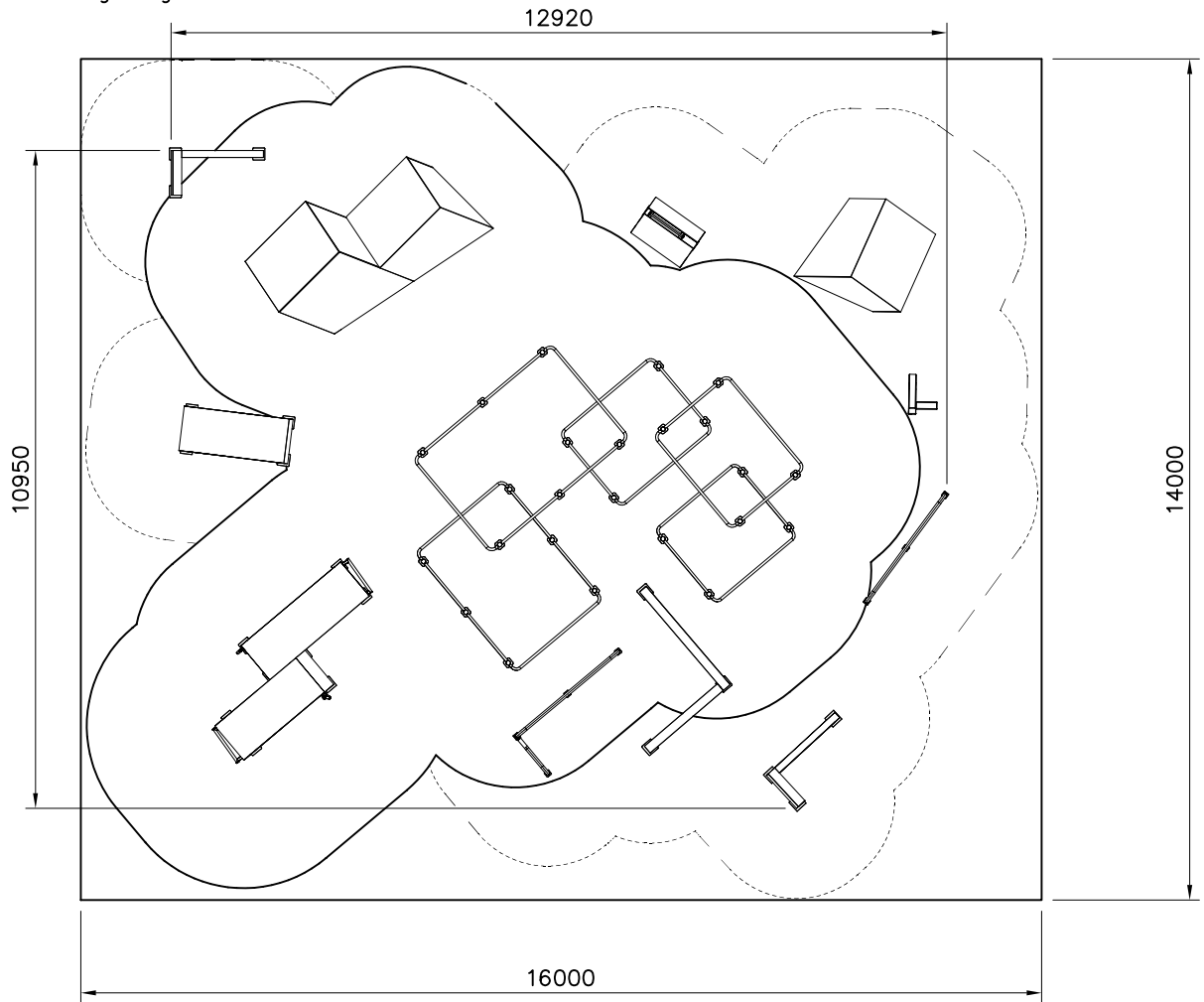




- 0
- 2470
- 2870
- 3160
- 3380
- 3720
- 4120
- 4710
- 5710
- 6410
- 7120
- 7260
- 7780
- 8100
- 8950
- 9400
- 9480
- 10710
- 11510
- 11930
- 12530
- 13090
- 13740
- 14390

- EN Impact Attenuating Surface (IAS) 118.2 m<sup>2</sup>
- Falling Space 182.7 m<sup>2</sup>
- Max Falling Height 2450 mm

1:125

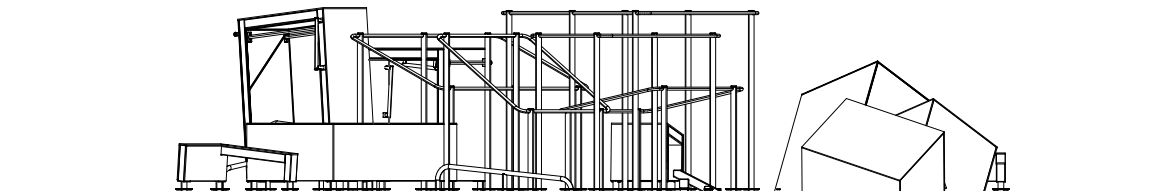
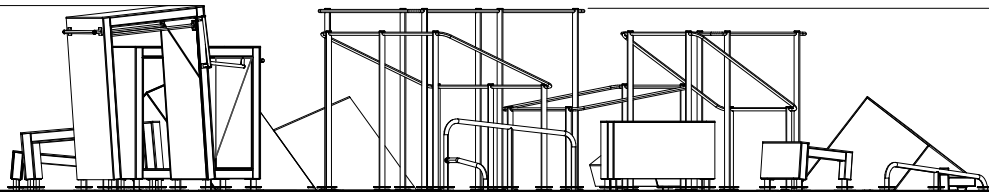


+2450

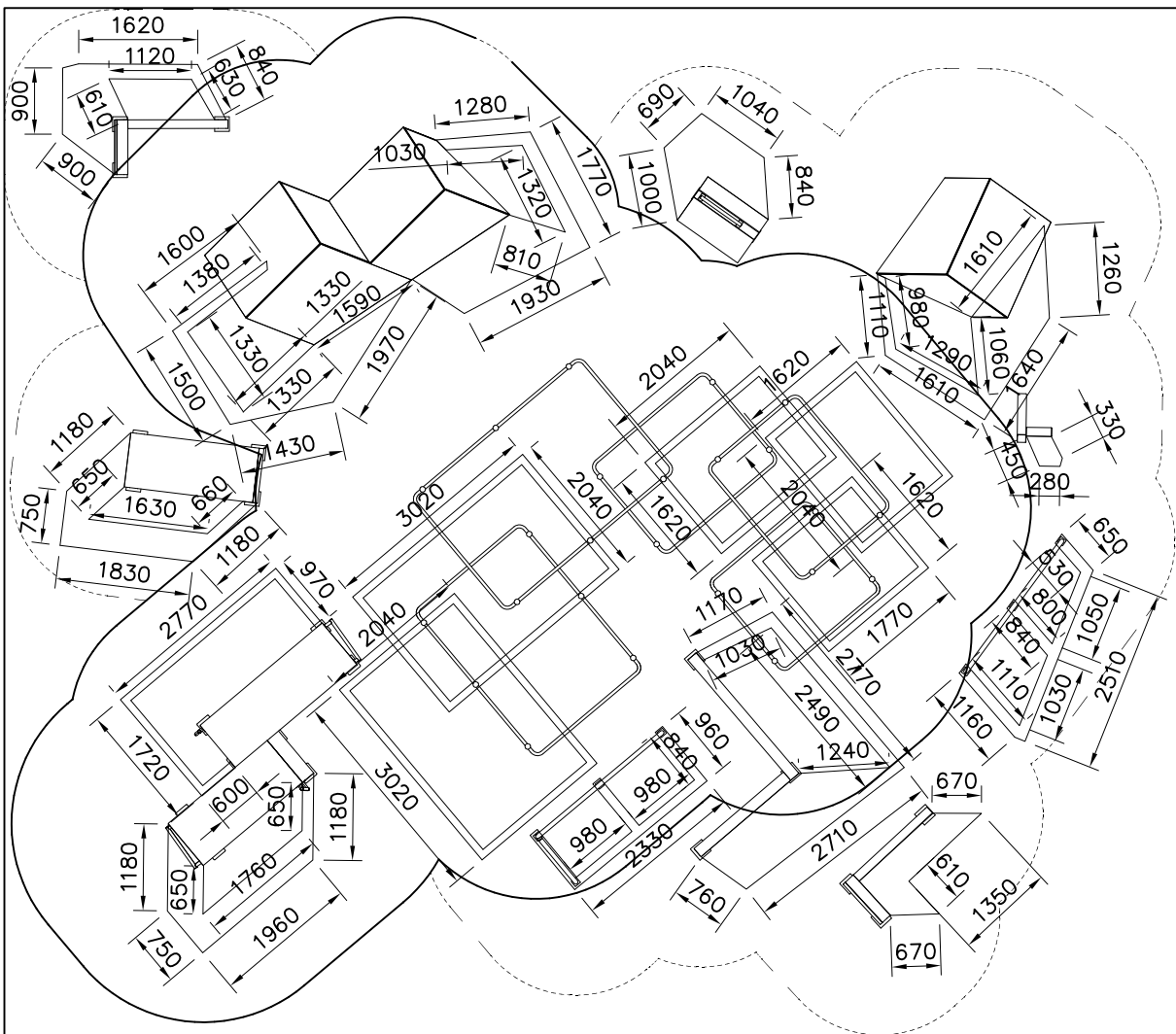
+2410

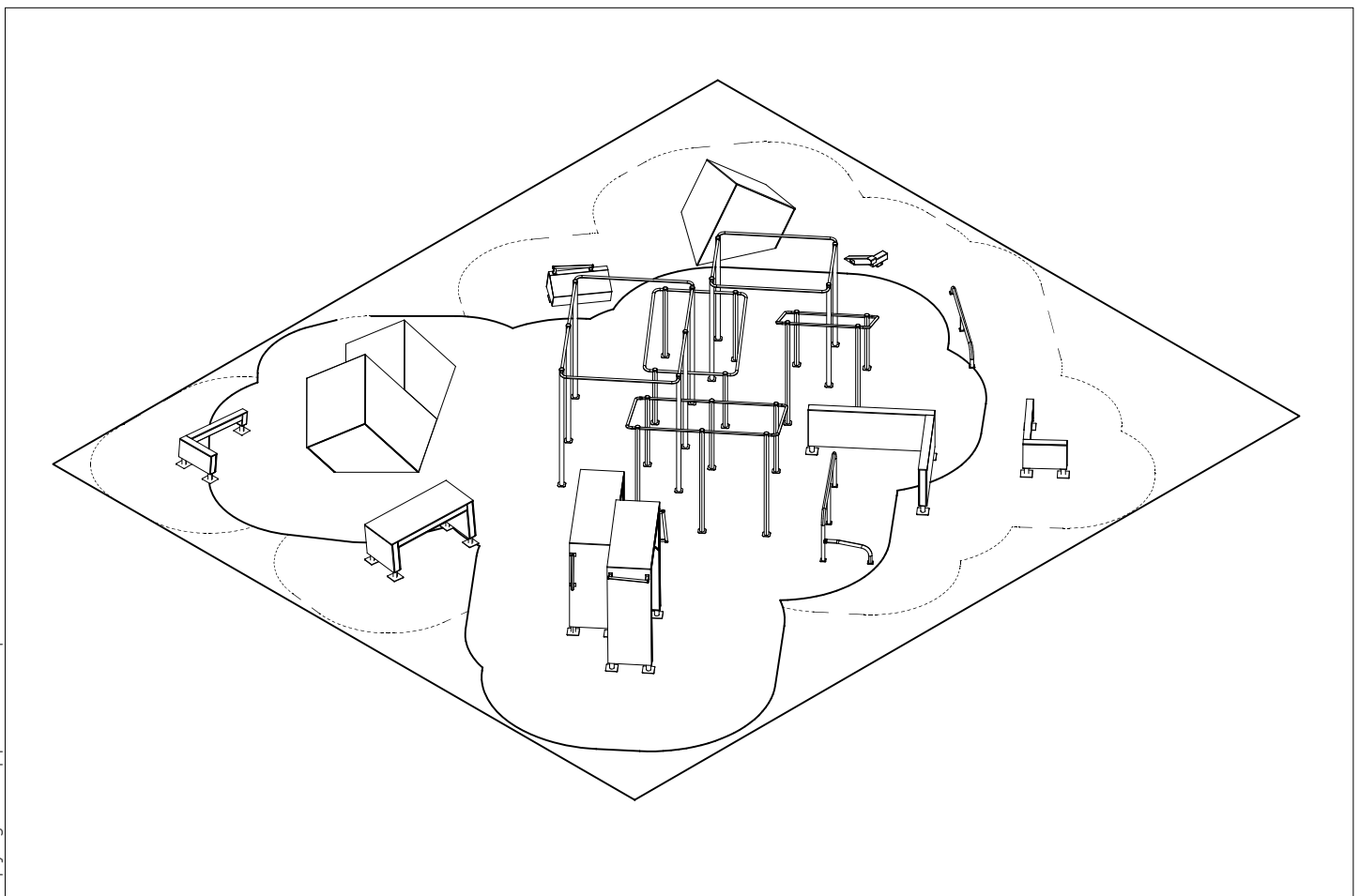
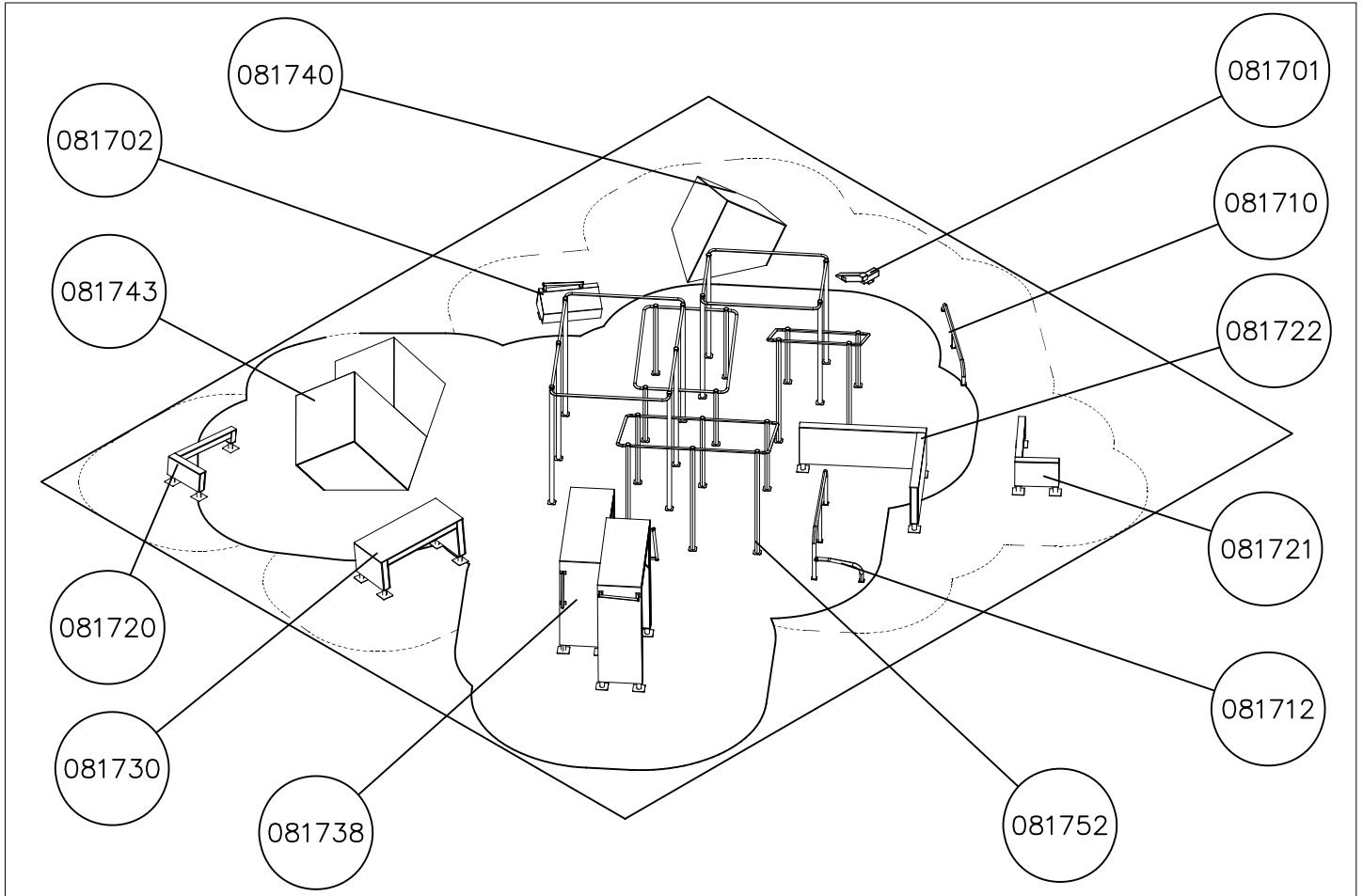
+0

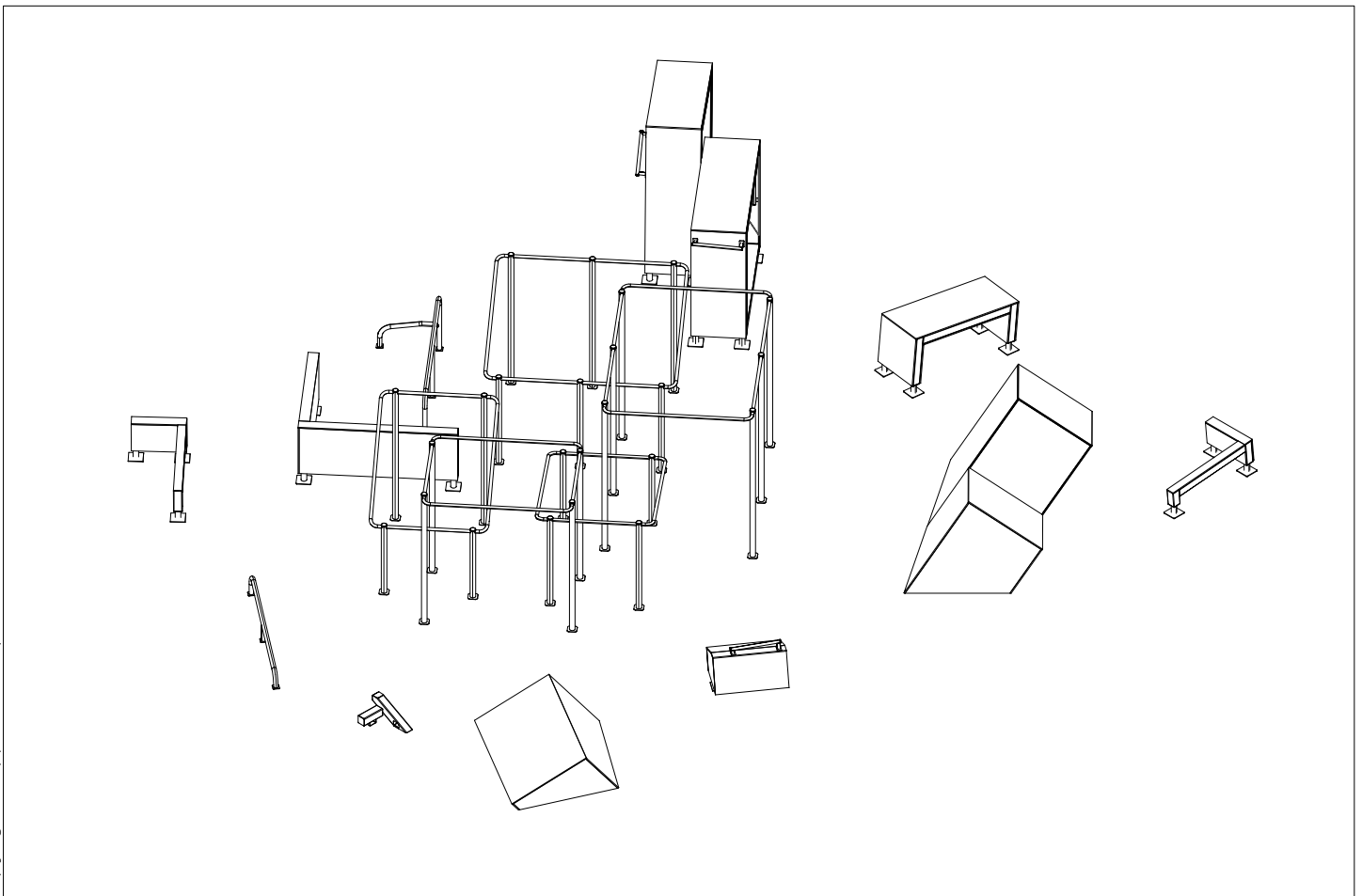
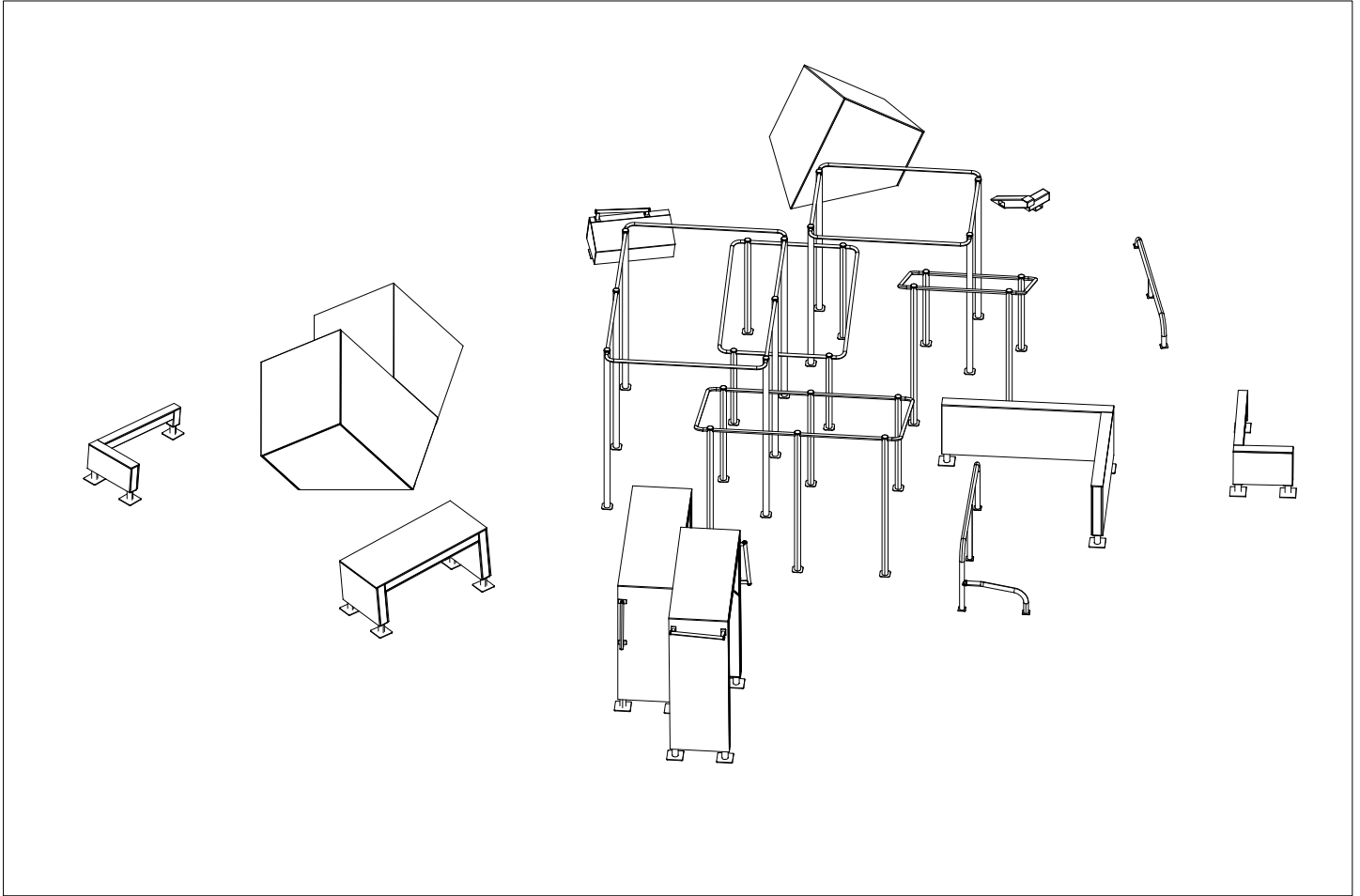
+0



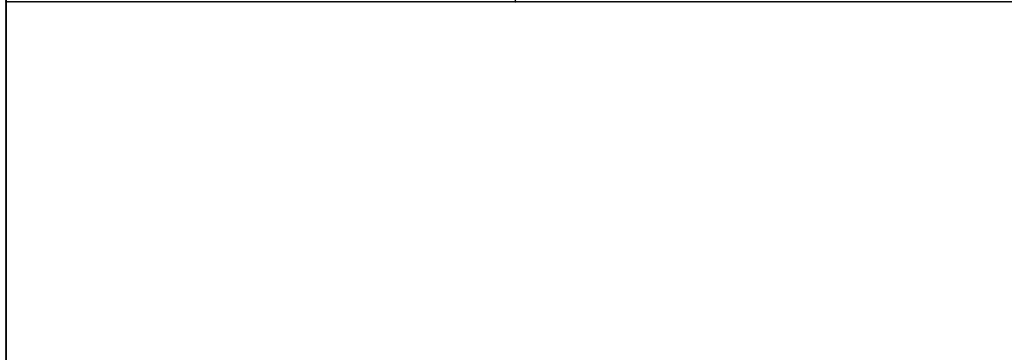
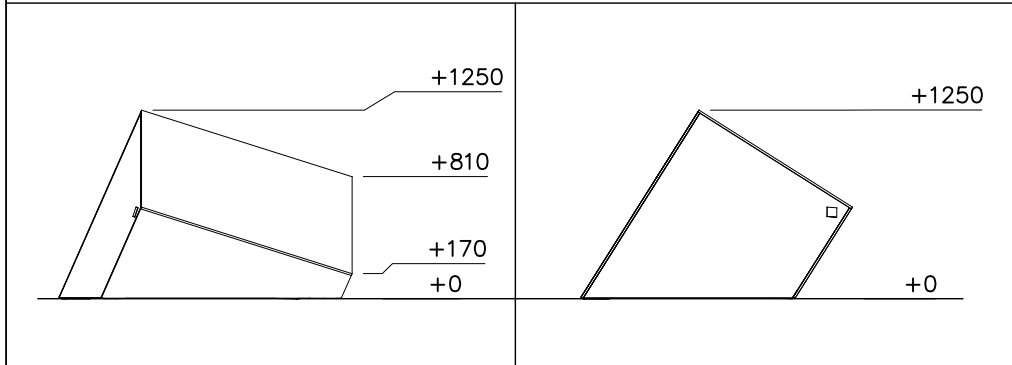
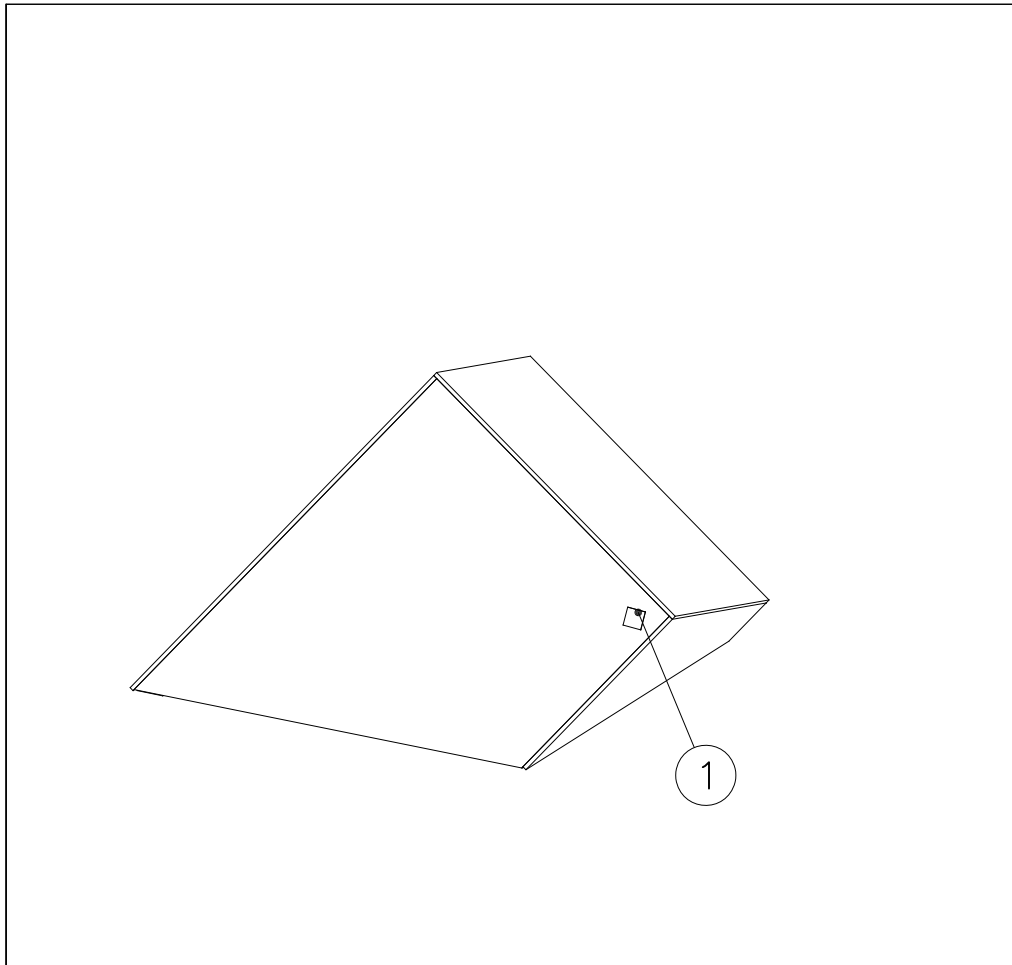
Groudmarks
















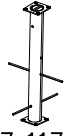
① 702341  90x50	PCS 1	② 709159  15x1200x1486	PCS 1
③ 709164  18x80x1135	PCS 2	④ 709165  18x80x1420	PCS 2
⑤ 709168  15x1486x1545	PCS 1	⑥ 709169  15x1170x1540	PCS 1
⑦ 709170  15x1170x1620	PCS 1	⑧ 709171  15x990x1170	PCS 1
⑨ 902233  M10x30	PCS 24	⑩ 905112  Ø22	PCS 24
⑪ 909637  M10	PCS 24	⑫ 909638  Ø20/10.5	PCS 48
⑬ 909876  M8x40	PCS 48	⑭ 910744  154x1160x1445	PCS 1

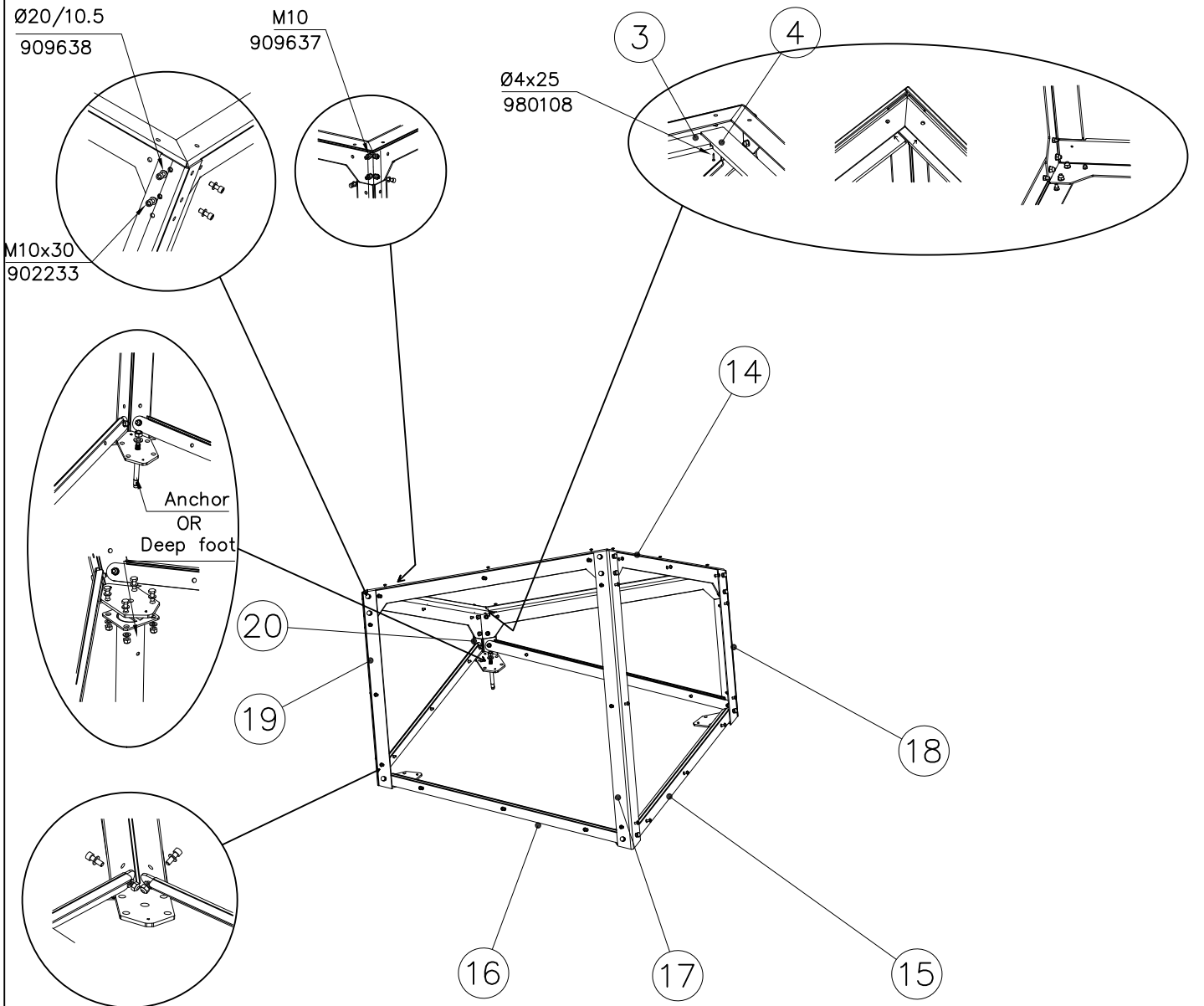
⑮ 910768  30x60x1349	PCS 2	⑯ 910769  30x60x1504	PCS 2	⑰ 910789  L 1528	PCS 1	⑱ 910790  L 796	PCS 1	⑲ 910791  L 1016	PCS 1	⑳ 910792  L 254	PCS 1
----------------------------	----------	----------------------------	----------	------------------------	----------	-----------------------	----------	------------------------	----------	-----------------------	----------

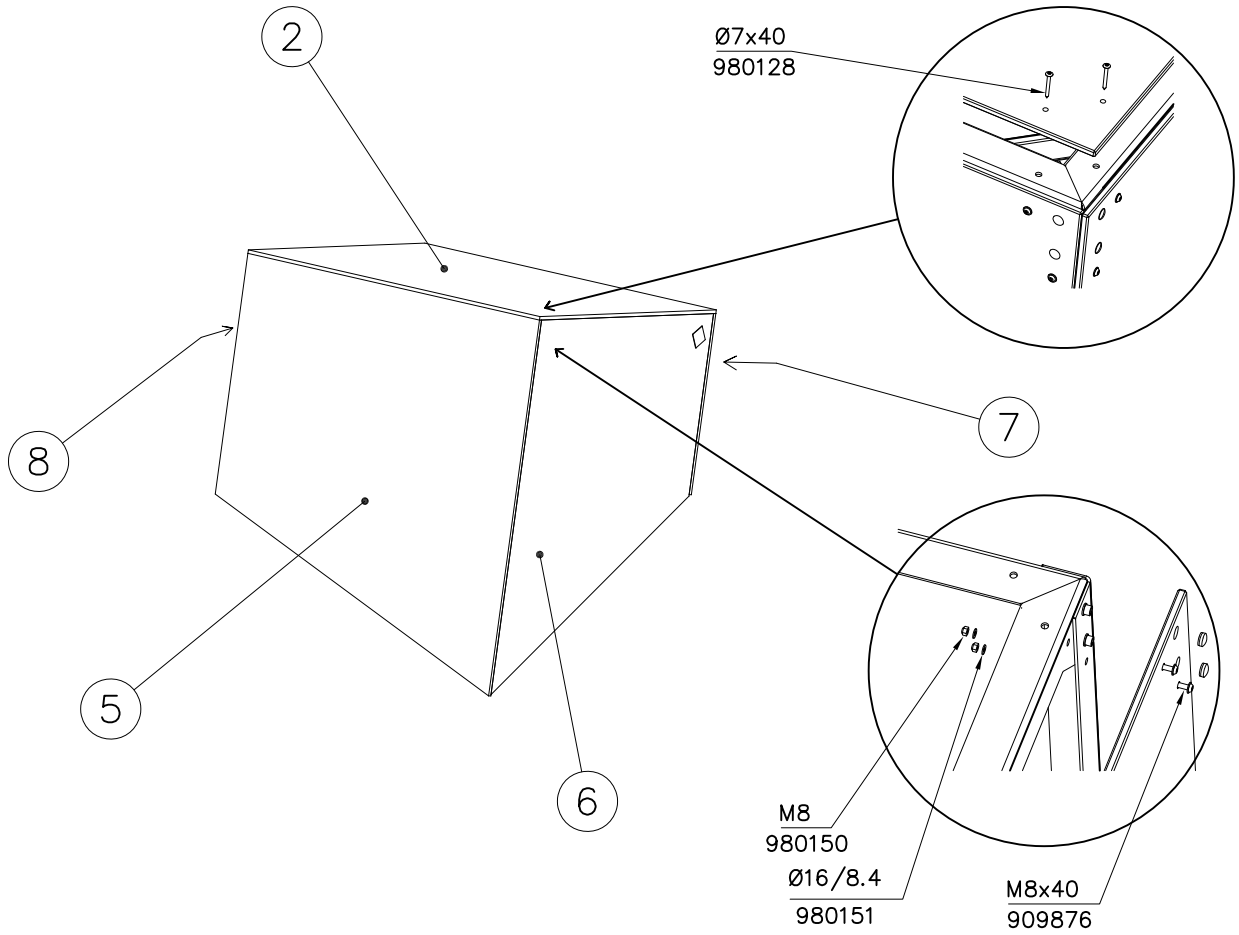
21	980108	PCS	22	980128	PCS	23	980150	PCS	24	980151	PCS
		4			12			48			48
	Ø4x25			Ø7x40			M8			Ø16/8.4	

FOOT OPTION

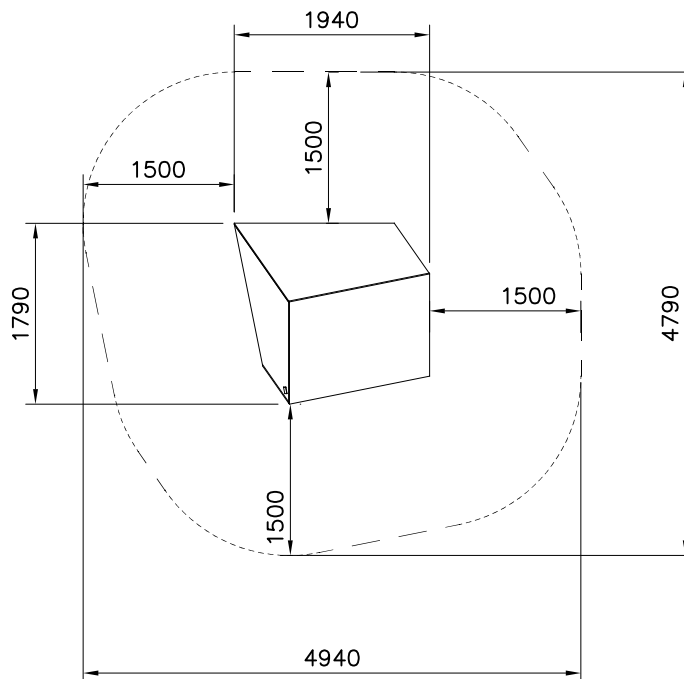
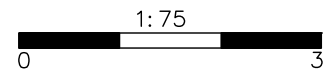
709387+

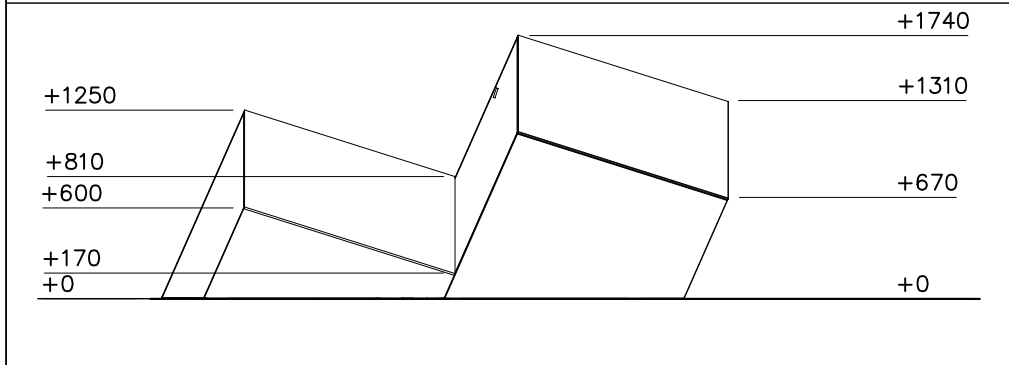
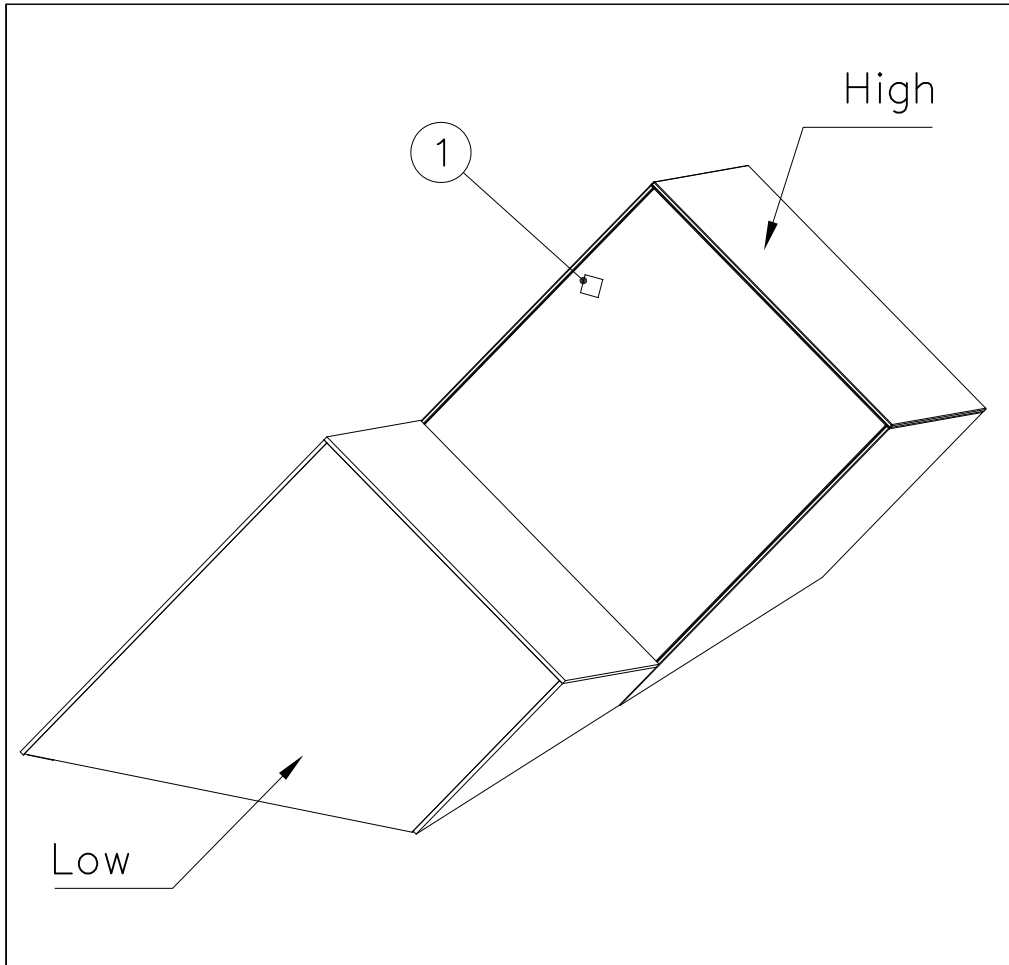
709386	PCS	910567	PCS
SURFACE	1	CONCRETE	4
			
M16x170		117x117x715	

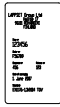
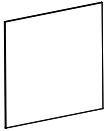
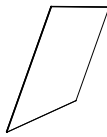
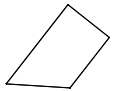
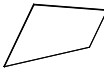

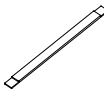

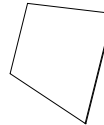
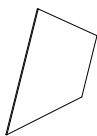
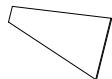
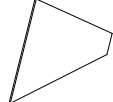







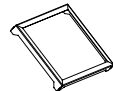
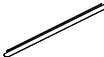
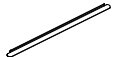




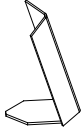









----- Falling Space 19.7 m<sup>2</sup>  
 Max Falling Height 1250 mm







① 702341	PCS	② 709159	PCS
	1		2
90x50		15x1200x1486	
③ 709160	PCS	④ 709161	PCS
	1		1
15x1486x2174		15x1170x2170	
⑤ 709162	PCS	⑥ 709163	PCS
	1		1
15x1376x1486		15x1170x1620	
⑦ 709164	PCS	⑧ 709165	PCS
	4		4
18x80x1135		18x80x1420	
⑨ 709168	PCS	⑩ 709169	PCS
	1		1
15x1486x1545		15x1170x1540	
⑪ 709170	PCS	⑫ 709171	PCS
	1		1
15x1170x1620		15x990x1170	
⑬ 902233	PCS	⑭ 905112	PCS
	48		48
M10x30		Ø22	

⑮ 909637	PCS	⑯ 909638	PCS	⑰ 909876	PCS	⑱ 910744	PCS	⑲ 910768	PCS	⑳ 910769	PCS
	48		96		88		2		4		4
M10		Ø20/10.5		M8x40		154x1160x1445		30x60x1349		30x60x1504	

⑳ 910789	PCS 1	㉑ 910790	PCS 1	㉒ 910791	PCS 1	㉓ 910792	PCS 1	㉔ 910793	PCS 1	㉕ 910794	PCS 1
											
L 1528		L 796		L 1016		L 254		L 2158		L 1425	
㉖ 910795	PCS 1	㉗ 910796	PCS 1	㉘ 980108	PCS 8	㉙ 980128	PCS 29	㉚ 980150	PCS 88	㉛ 980151	PCS 88
											
L 1646		L 884		Ø4x25		Ø7x40		M8		Ø16/8.4	

FOOT OPTION

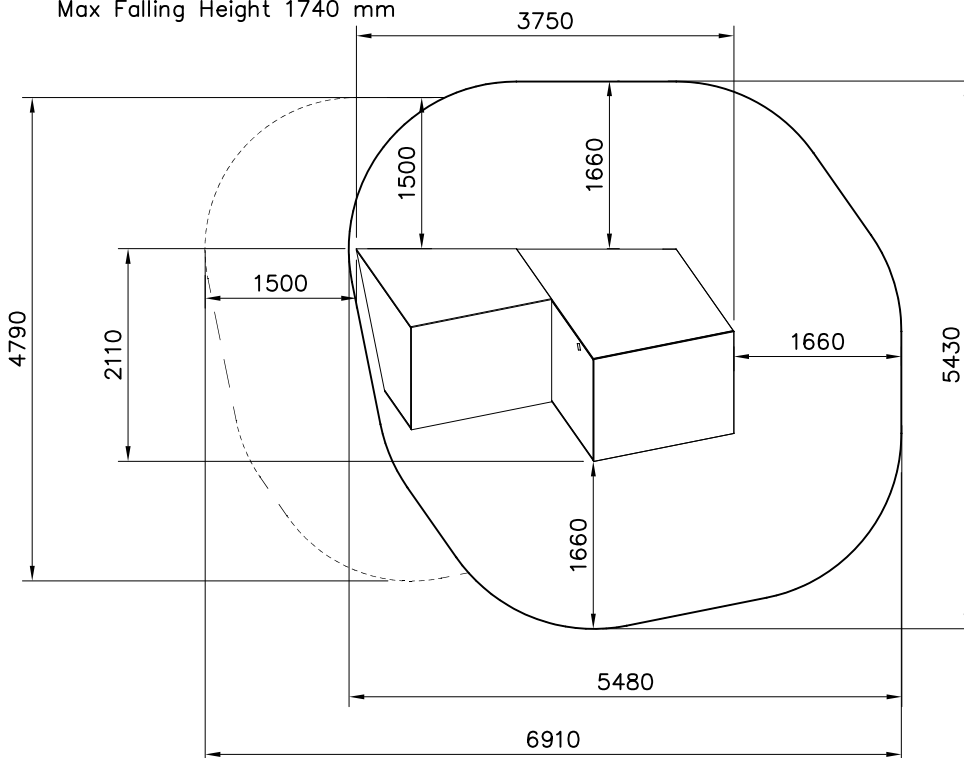
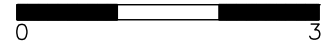
709387+	
○ 709386	PCS
SURFACE	2
	
M16x170	
○ 910567	PCS
CONCRETE	8
	
117x117x715	

—— EN Impact Attenuating Surface (IAS) 24.4 m<sup>2</sup>

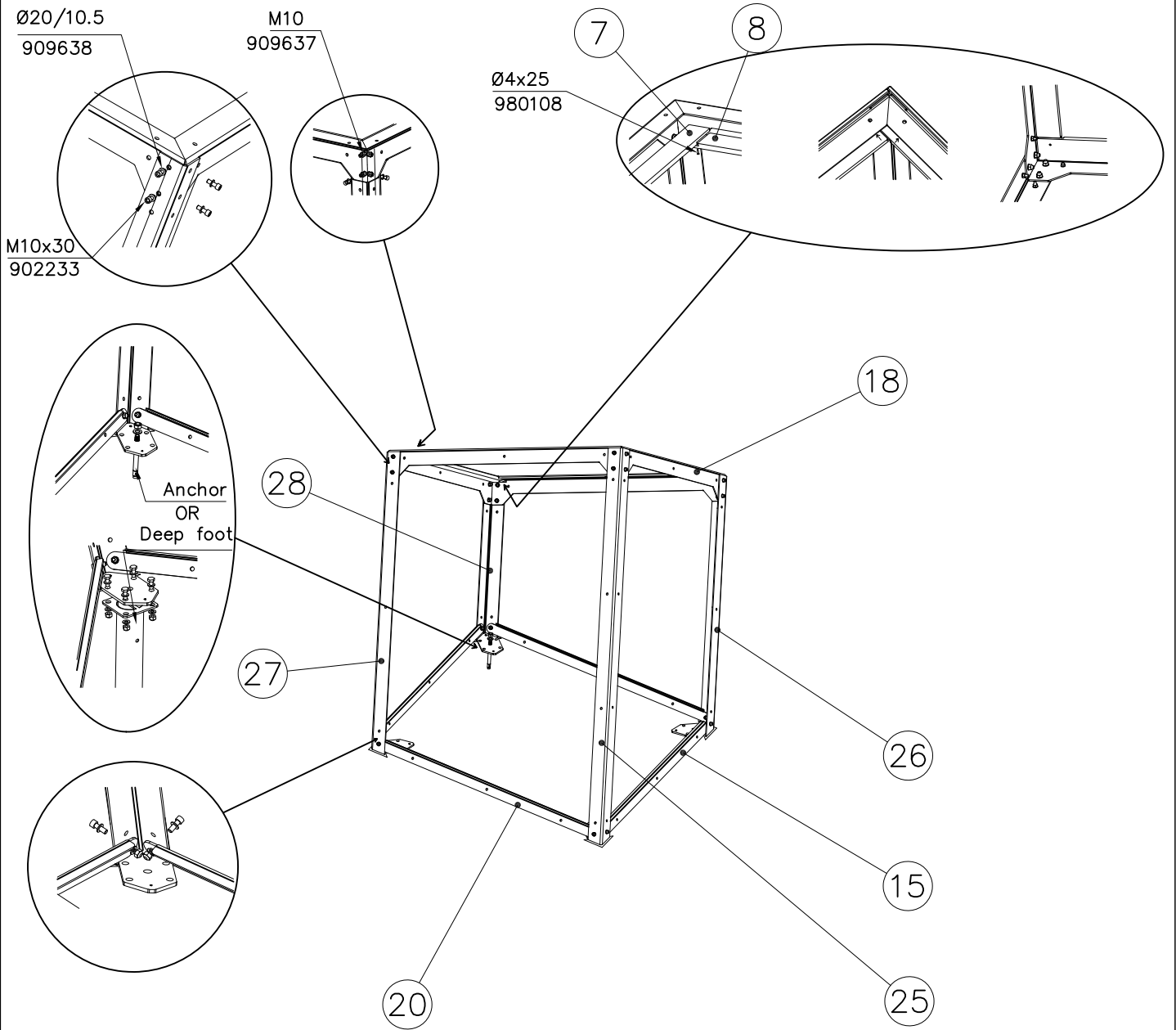
----- Falling Space 31 m<sup>2</sup>

Max Falling Height 1740 mm

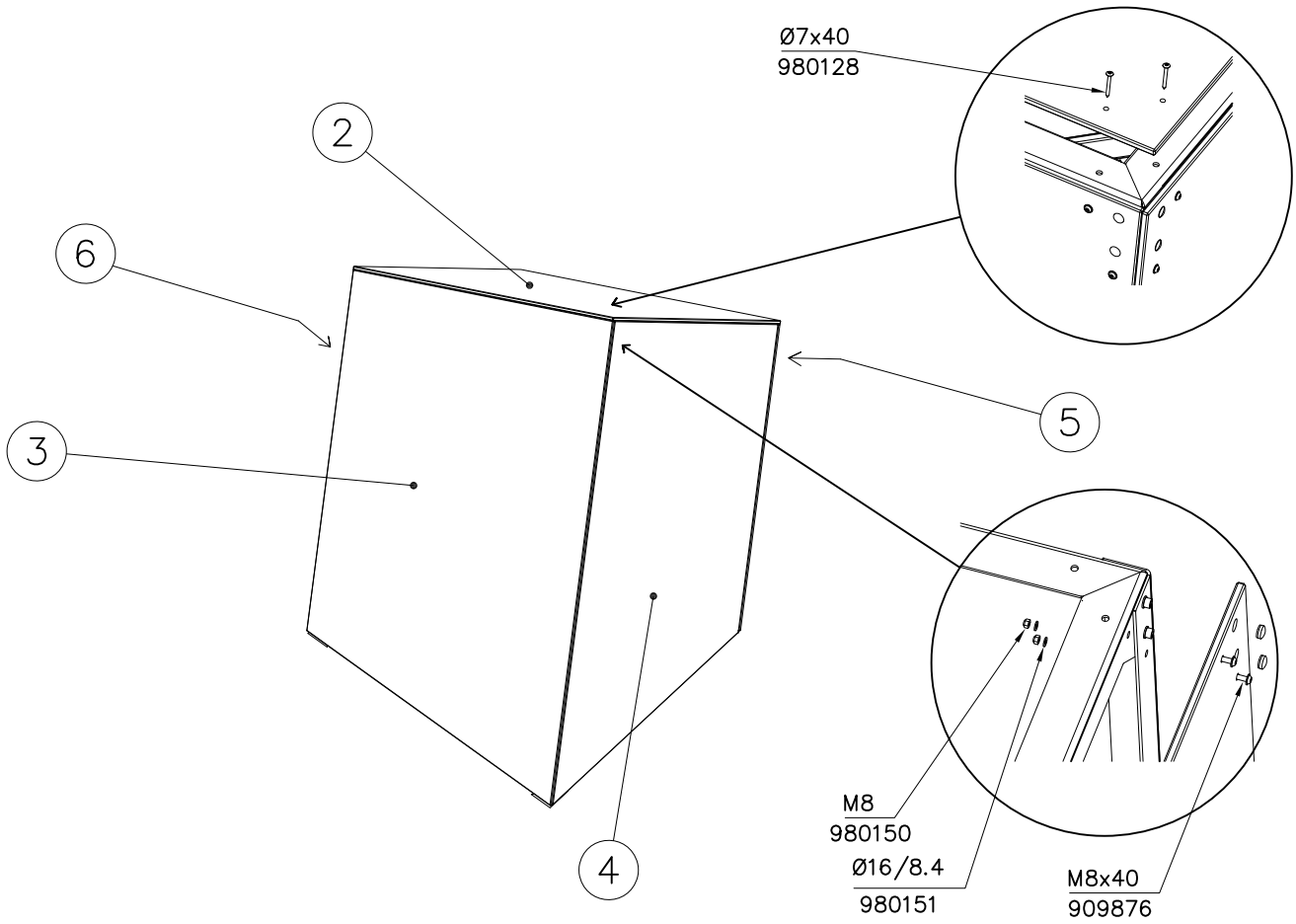
1:75



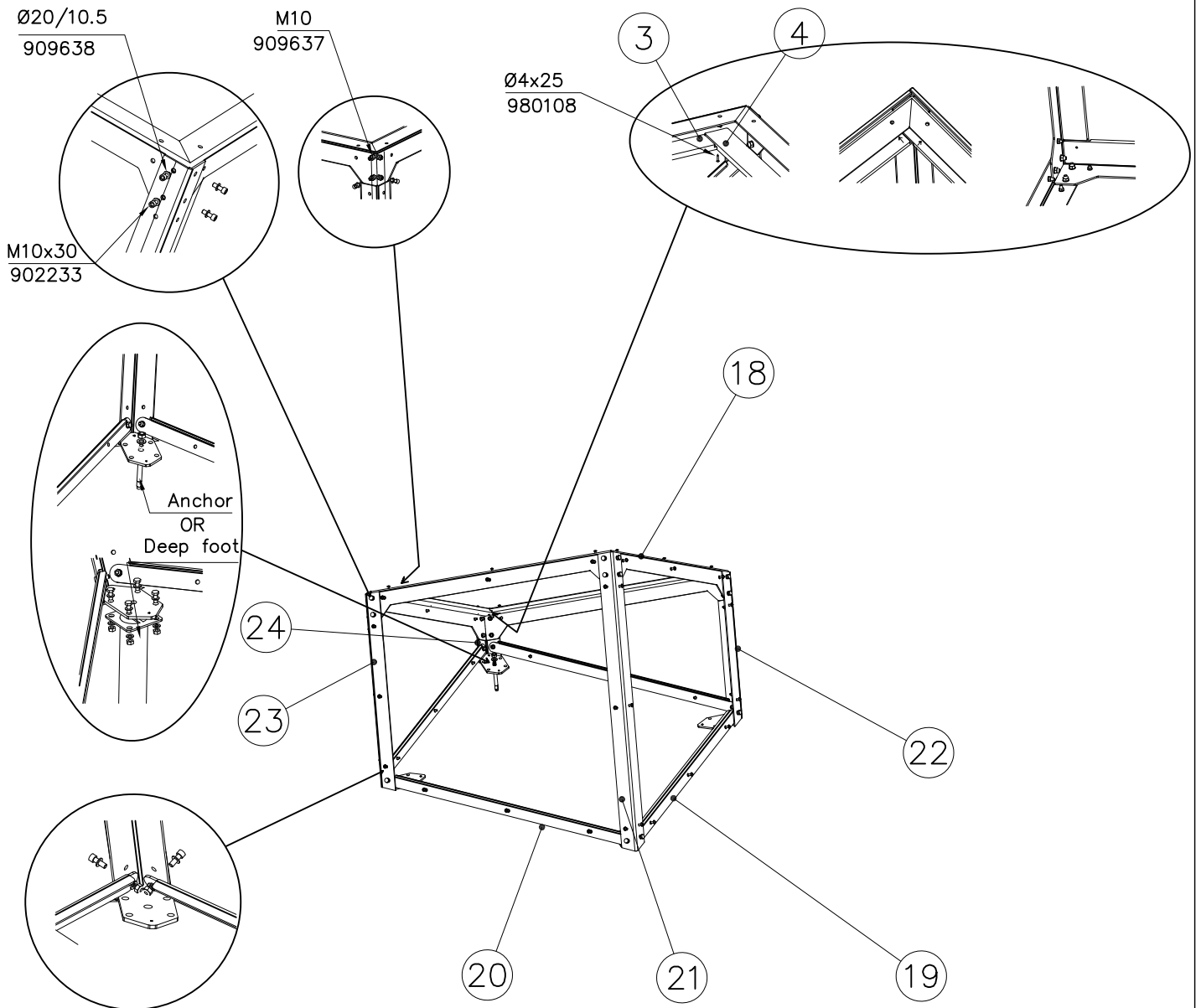
HIGH



HIGH



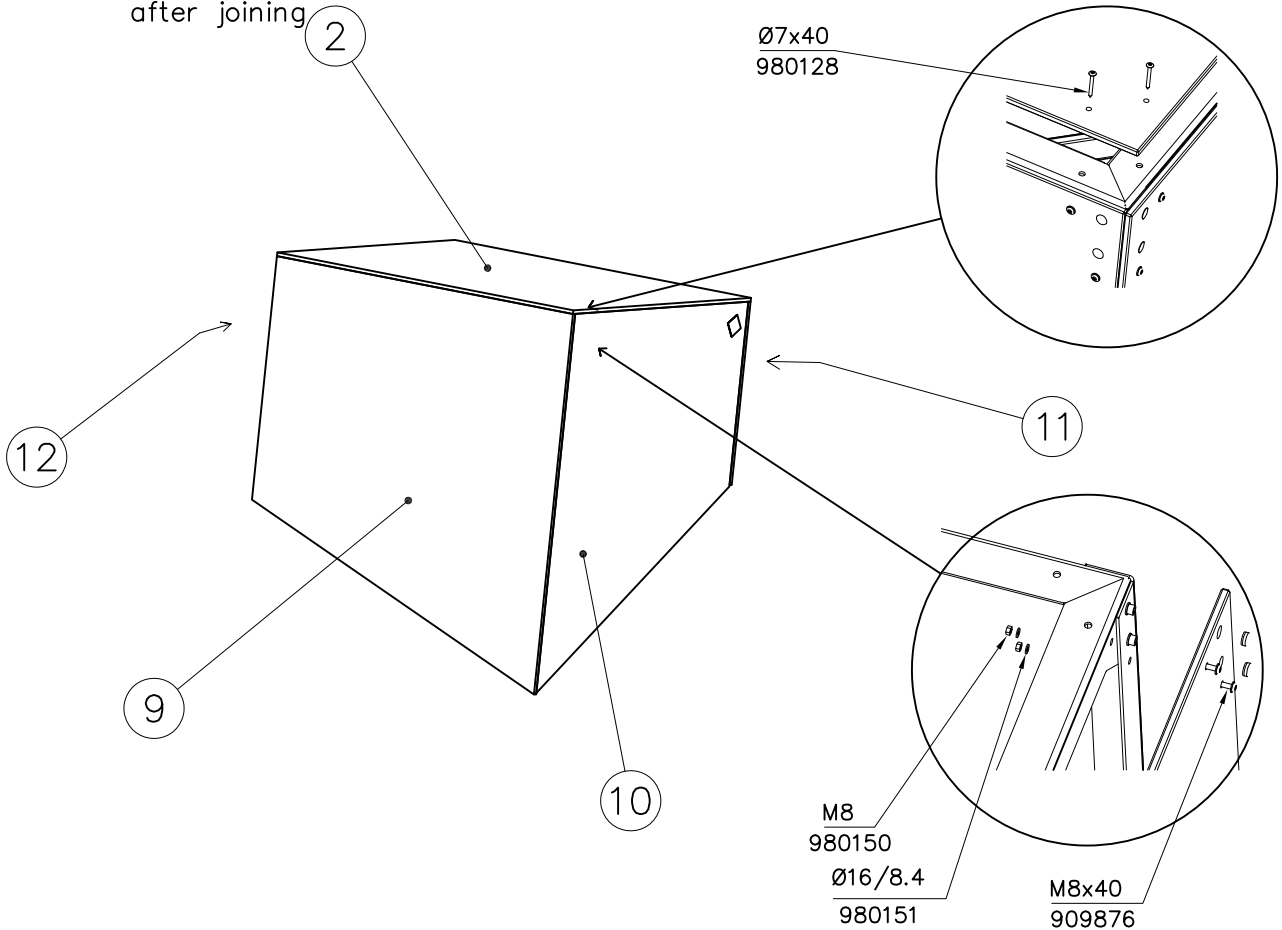
LOW



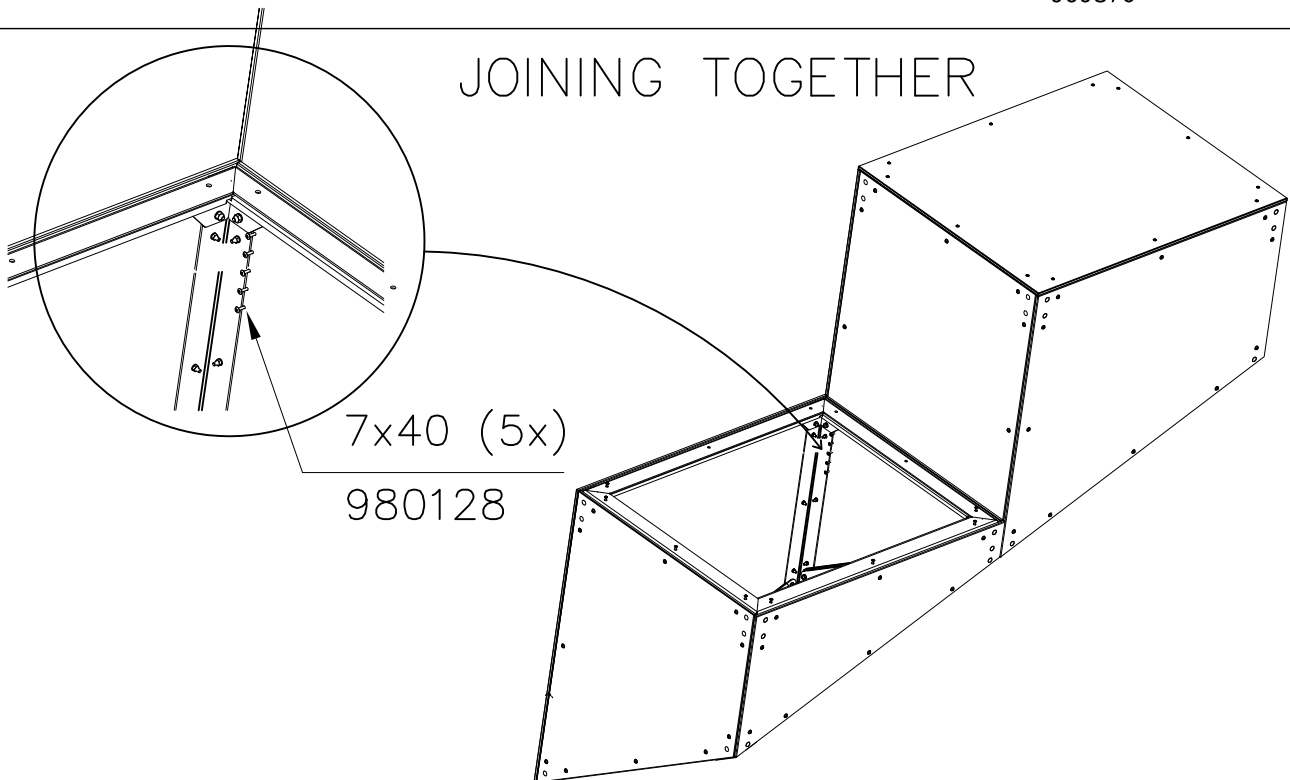


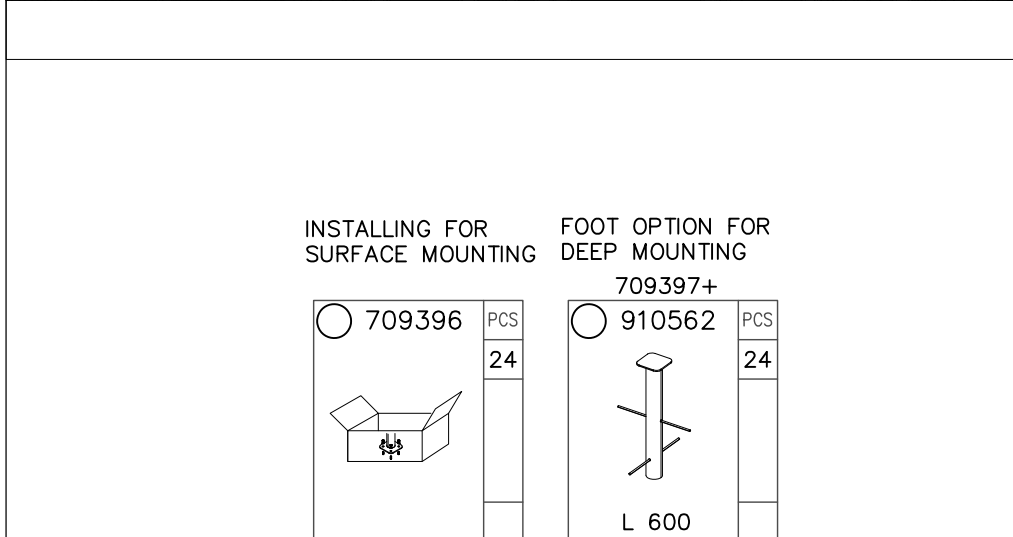
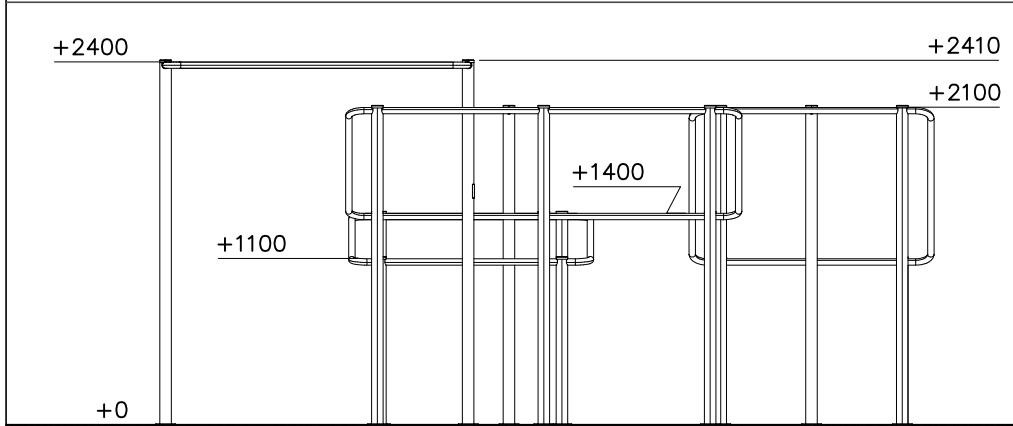
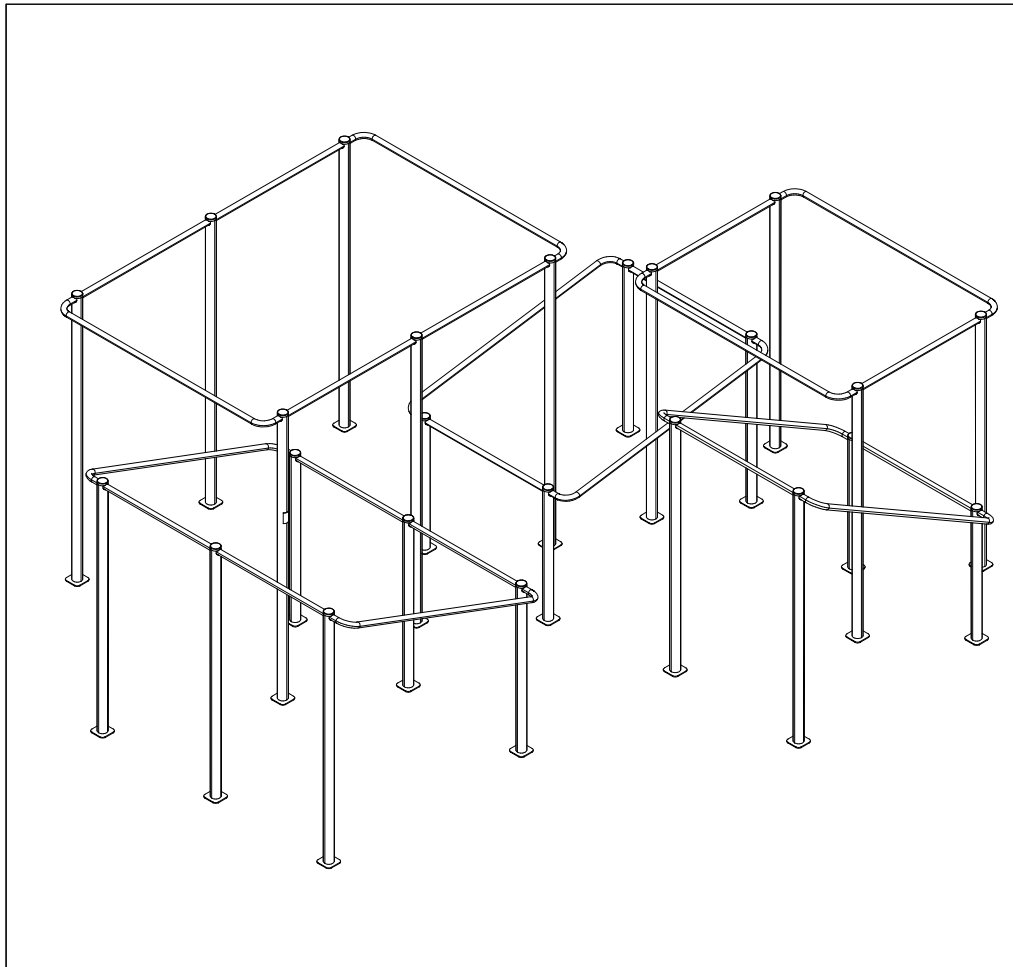
LOW

Install this plate last  
after joining

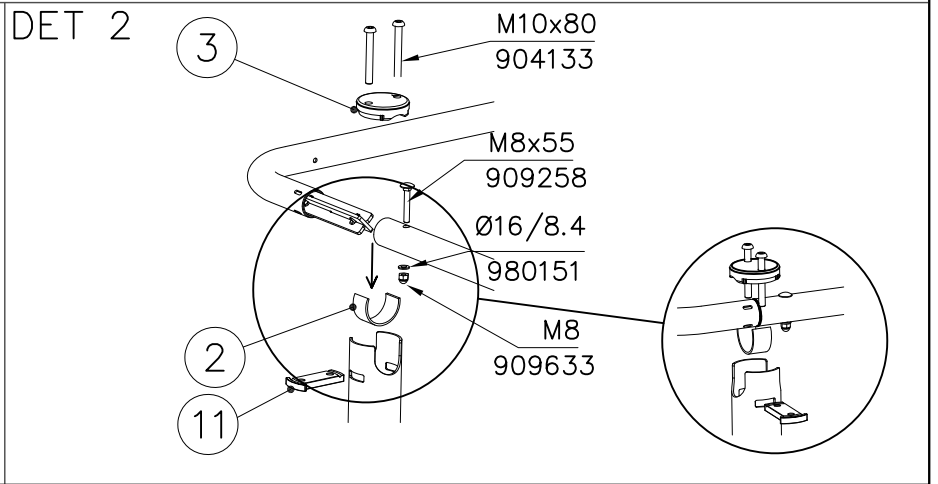
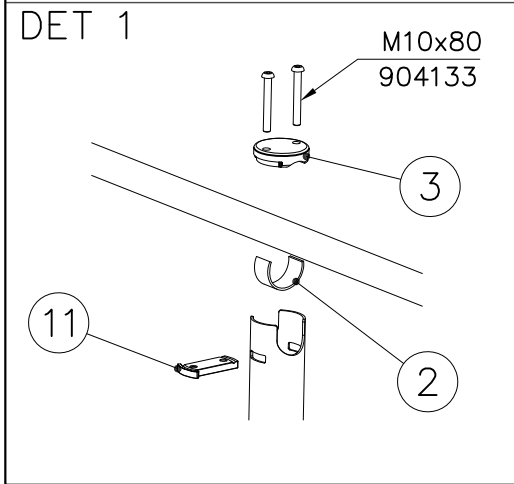
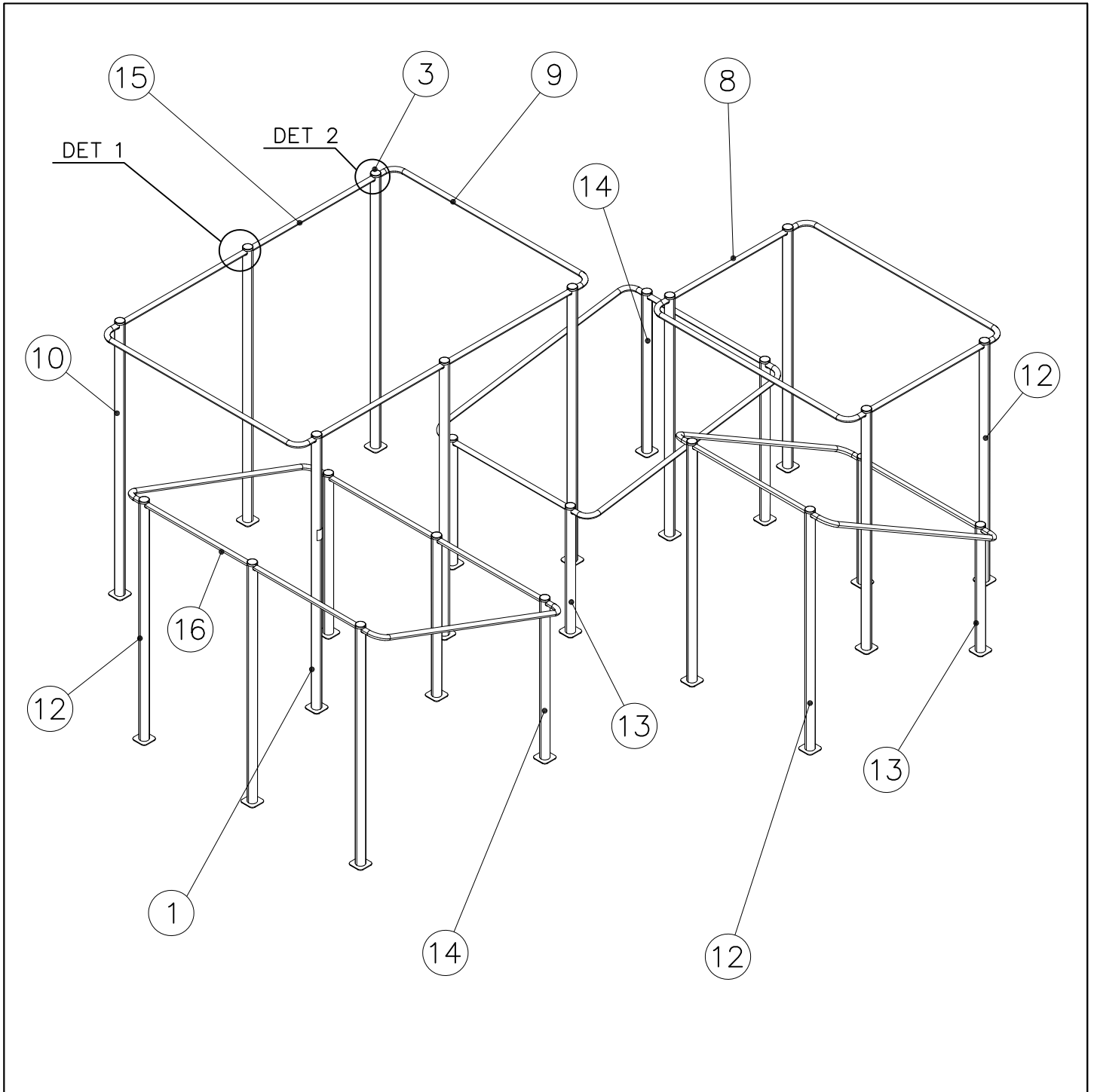


JOINING TOGETHER

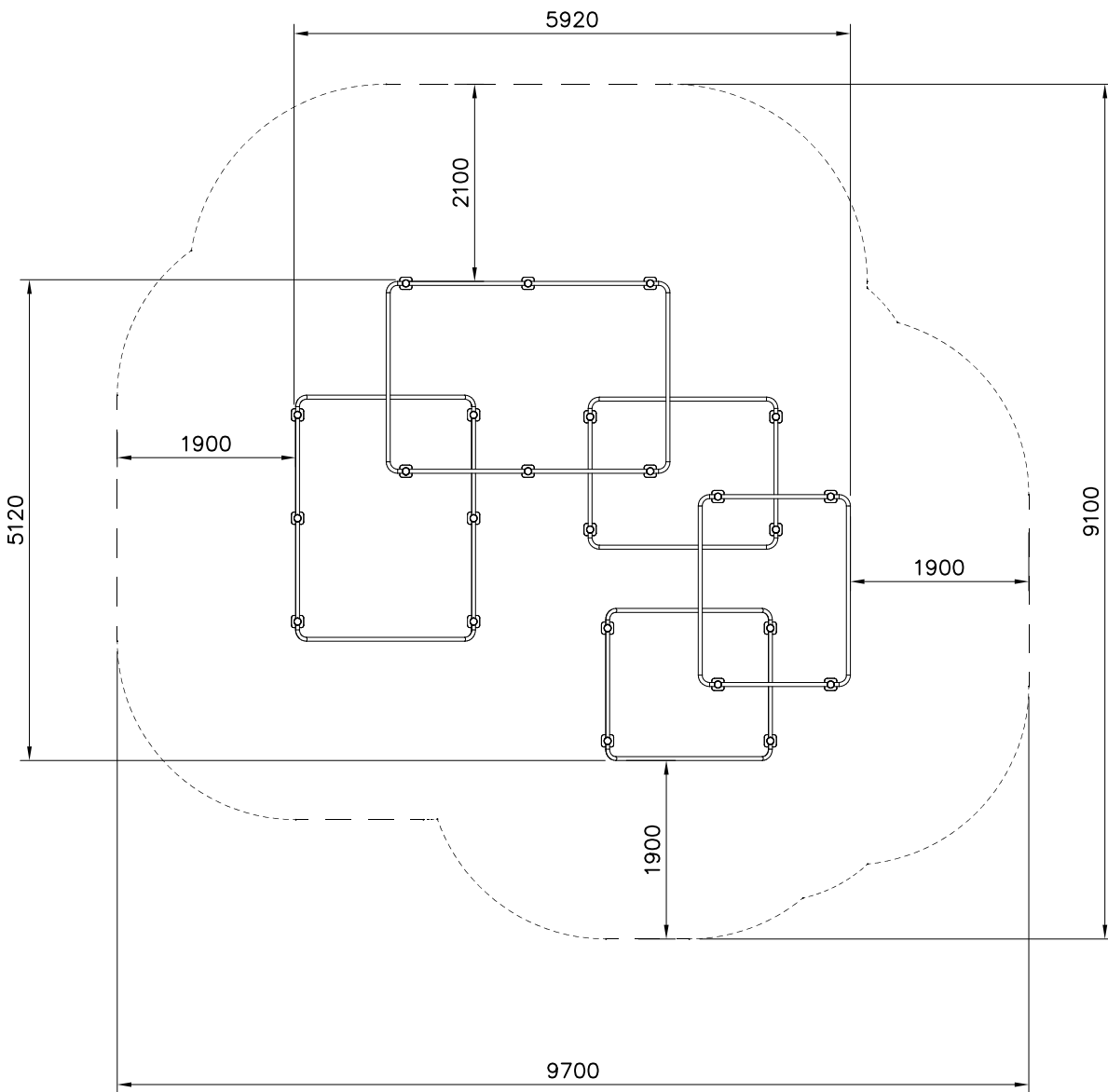
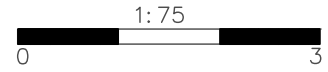




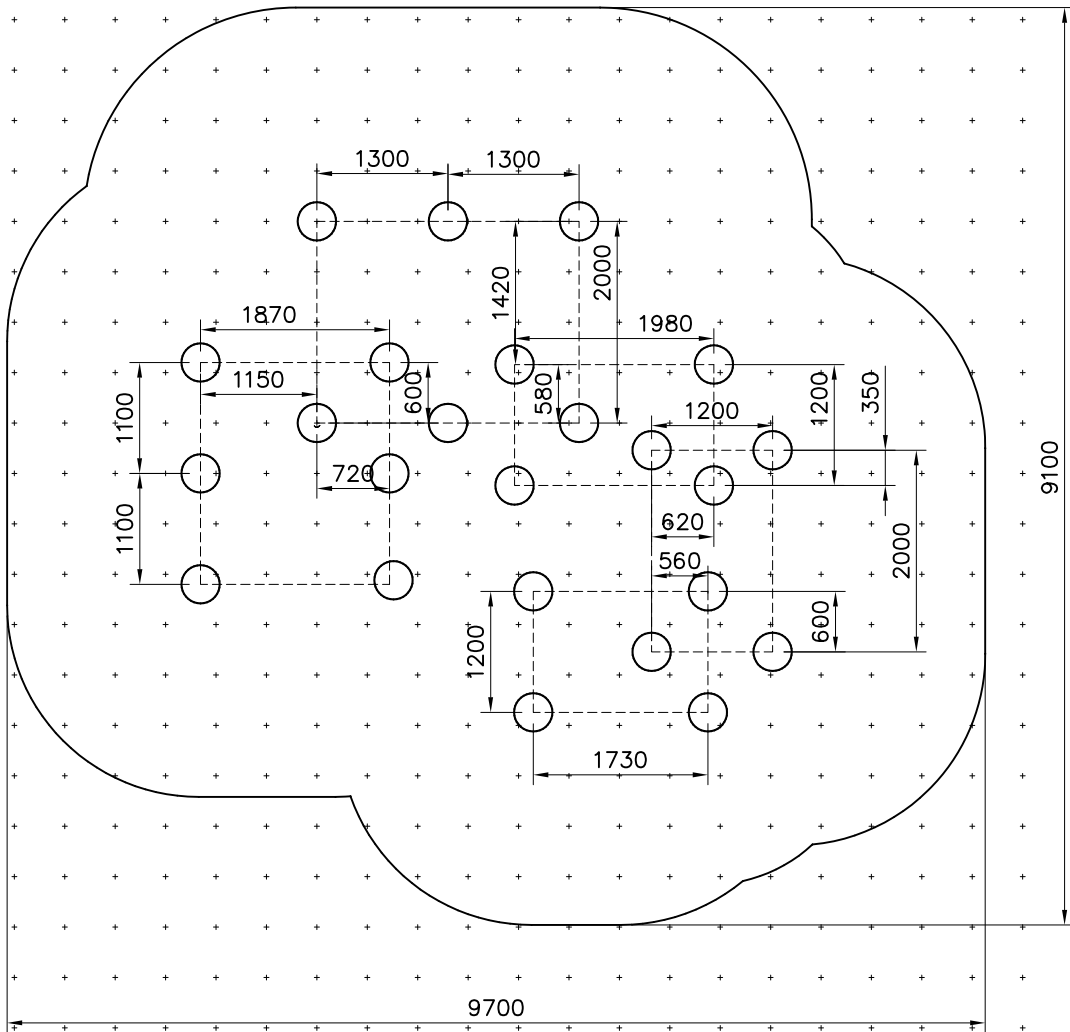
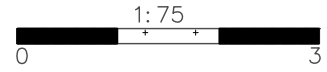
	702341	PCS	1		704879	PCS	24
	90x50				3x30x120mm		
	708880	PCS	24		980151	PCS	20
	Ø77x20				Ø16/8.4		
	904133	PCS	48		909258	PCS	20
	M10x80				M8x55		
	909633	PCS	20		910547	PCS	6
	M8				Ø42.4x1200		
	910549	PCS	10		910556	PCS	6
	Ø42.4x286x2042				L 2400		
	910557	PCS	24		910563	PCS	9
	10x45x87				L 2100		
	910564	PCS	4		910565	PCS	5
	L 1100				L 1400		
	910704	PCS	2		910548	PCS	2
	Ø42.4x2600				Ø42.4x2200		

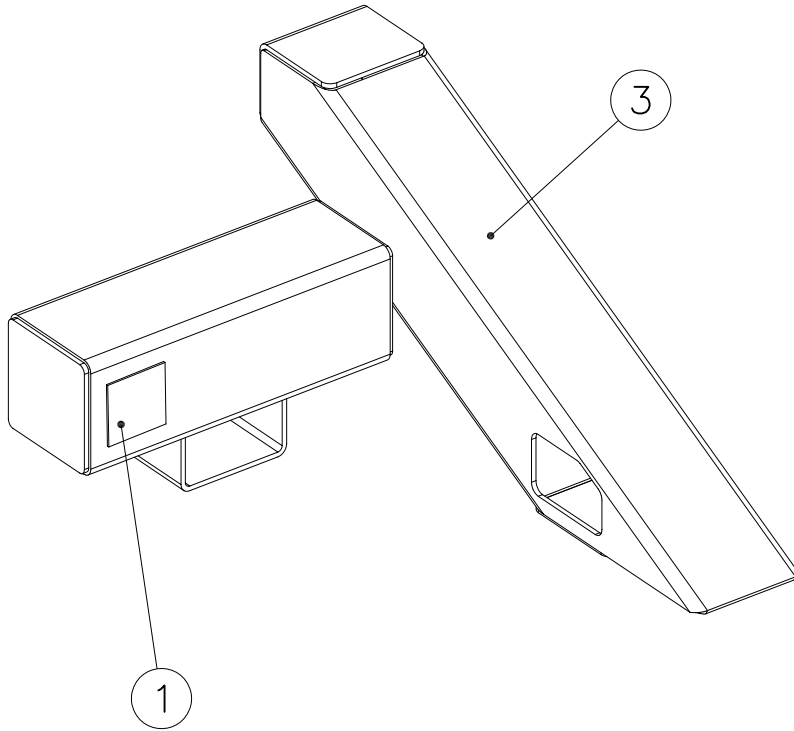


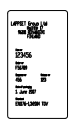

- EN Impact Attenuating Surface (IAS) 71.3 m<sup>2</sup>
- - - Falling Space 71.3 m<sup>2</sup>
- Max Falling Height 2410 mm

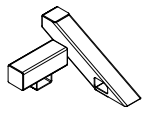


EN Impact Attenuating Surface (IAS) 71.3 m<sup>2</sup>  
Grid size 500mm




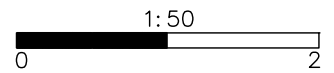


① 702341	PCS	② 709381	PCS
	1		2
90x50		SURFACE	

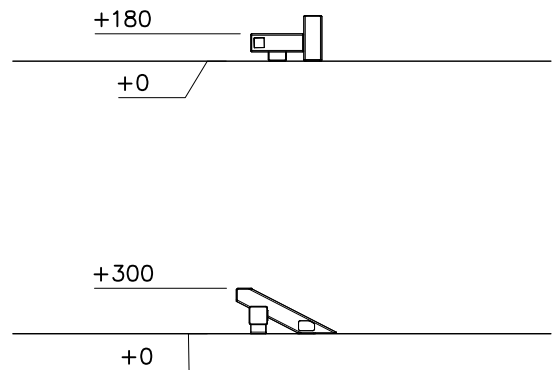
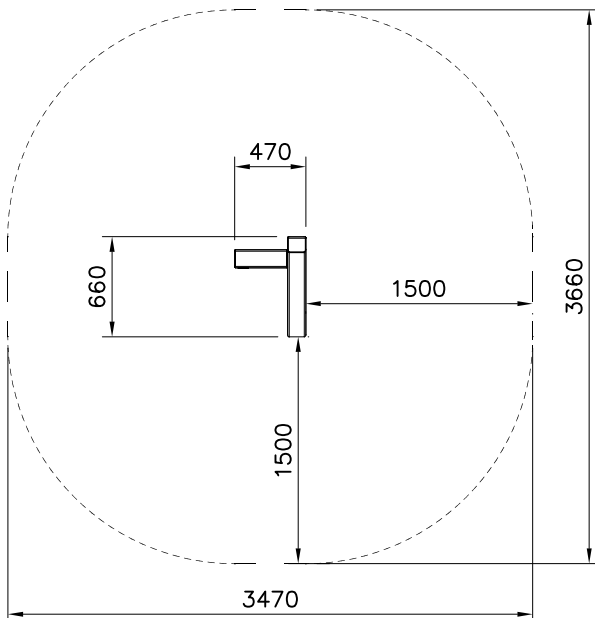
③ 910220	PCS
	1
300x470x662	

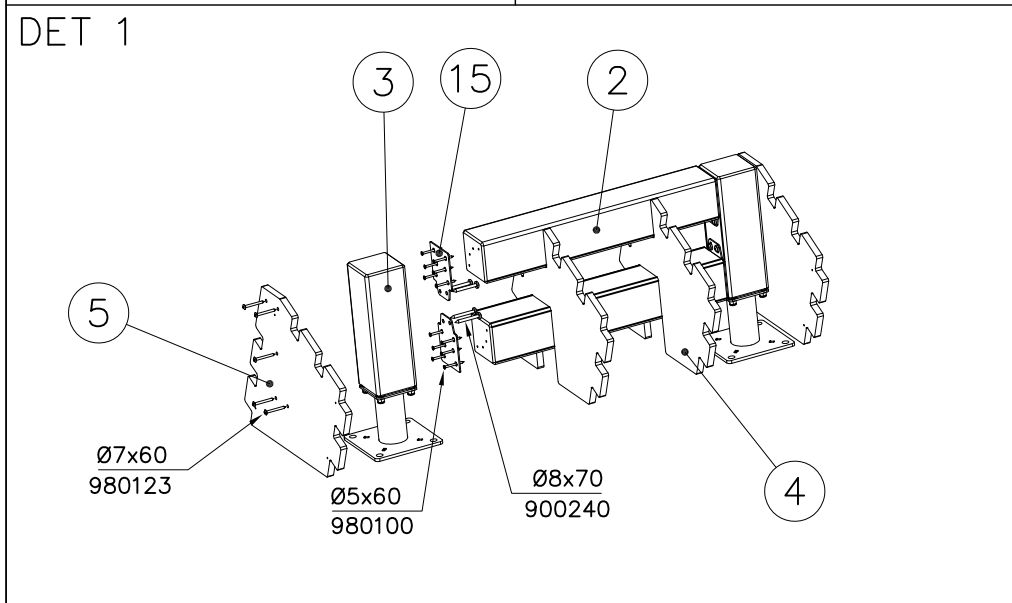
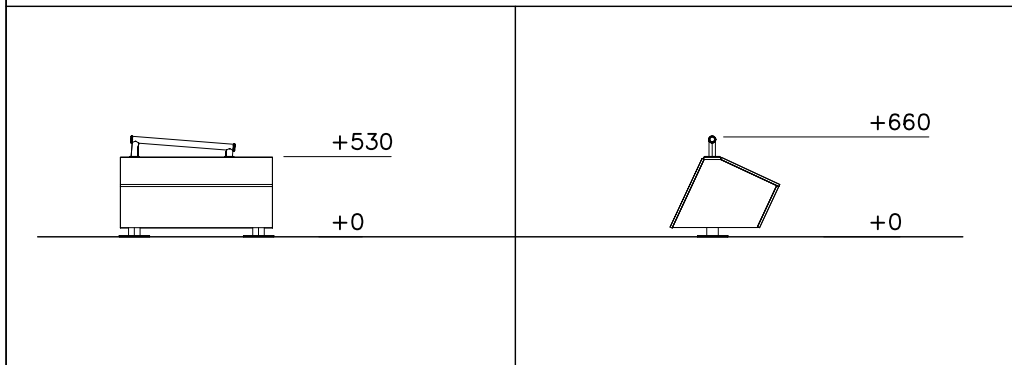
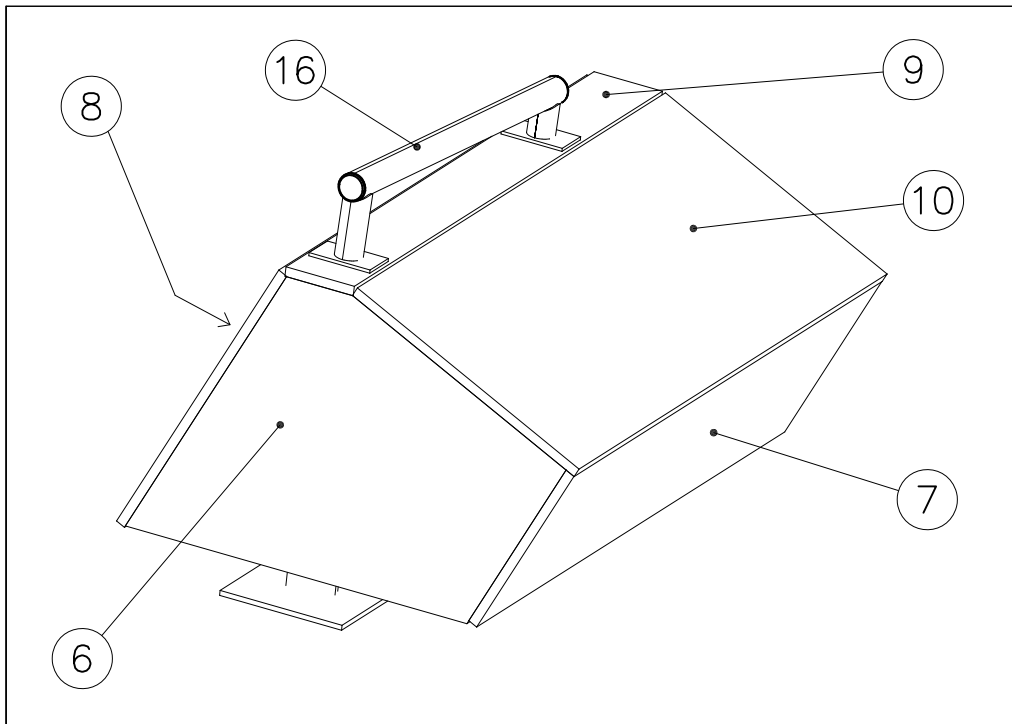
FOOT OPTION FOR DEEP MOUNTING

709379+	
○ 902564	PCS
	2
L 550	



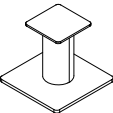

----- Falling Space 10.8 m<sup>2</sup>  
 Max Falling Height 300 mm

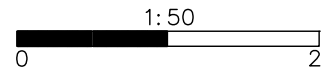
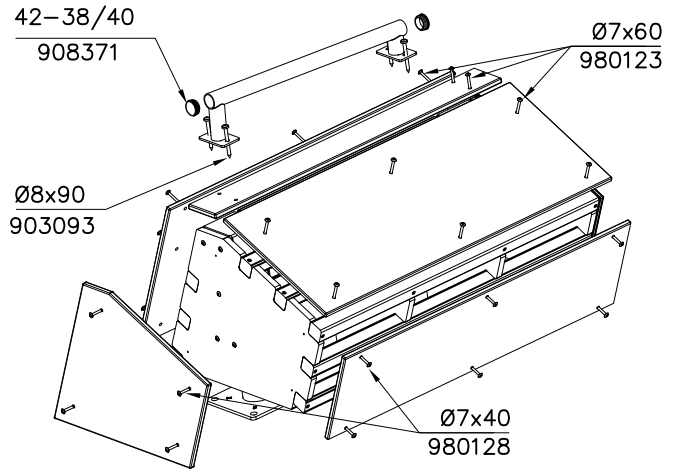
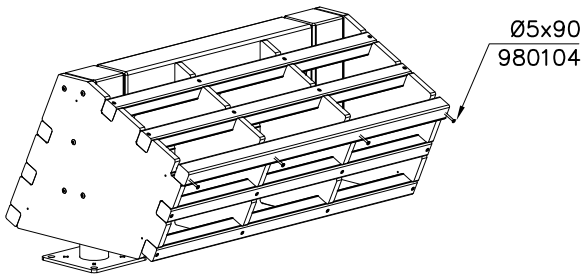
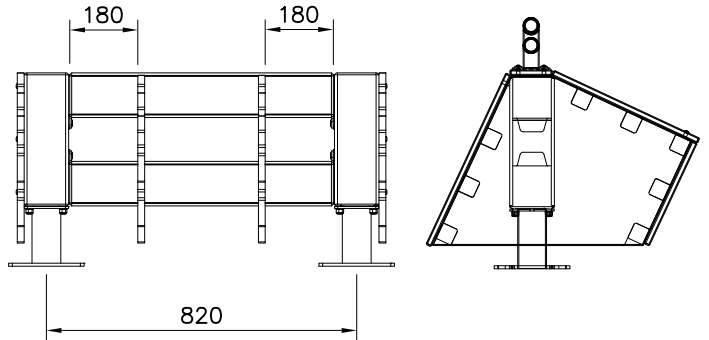




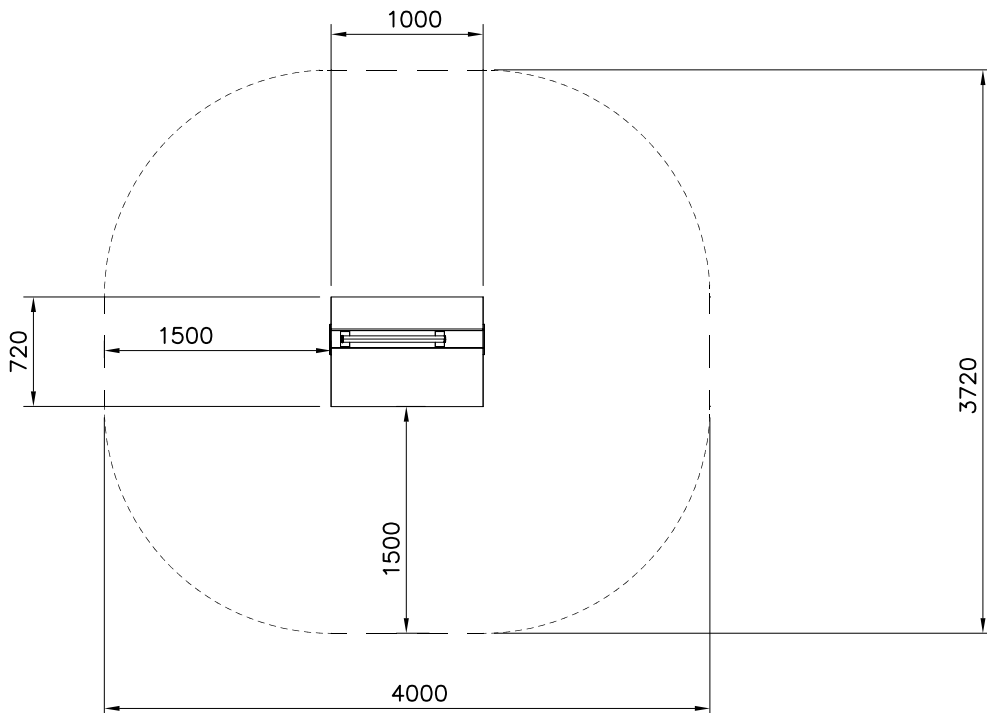
① 702341  90x50	PCS 1	② 708109  118x118x697	PCS 2
③ 708443  118x118x352	PCS 2	④ 708848  18x450x690	PCS 2
⑤ 708849  18x450x690	PCS 2	⑥ 708850  15x450x690	PCS 2
⑦ 708851  15x300x1005	PCS 1	⑧ 708852  15x500x1005	PCS 1
⑨ 708853  15x112x1005	PCS 1	⑩ 708854  15x425x1005	PCS 1
⑪ 708855  45x45x975	PCS 8	⑫ 900240  Ø8x70	PCS 8
⑬ 903093  Ø8x90	PCS 4	⑭ 908371  42-38/40	PCS 2

⑮ 908698  3x114x108	PCS 4	⑯ 910056  140x690	PCS 1	⑰ 980100  Ø5x60	PCS 24	⑱ 980104  Ø5x90	PCS 32	⑲ 980123  Ø7x60	PCS 27	⑳ 980128  Ø7x40	PCS 14
---------------------------	----------	-------------------------	----------	-----------------------	-----------	-----------------------	-----------	-----------------------	-----------	-----------------------	-----------

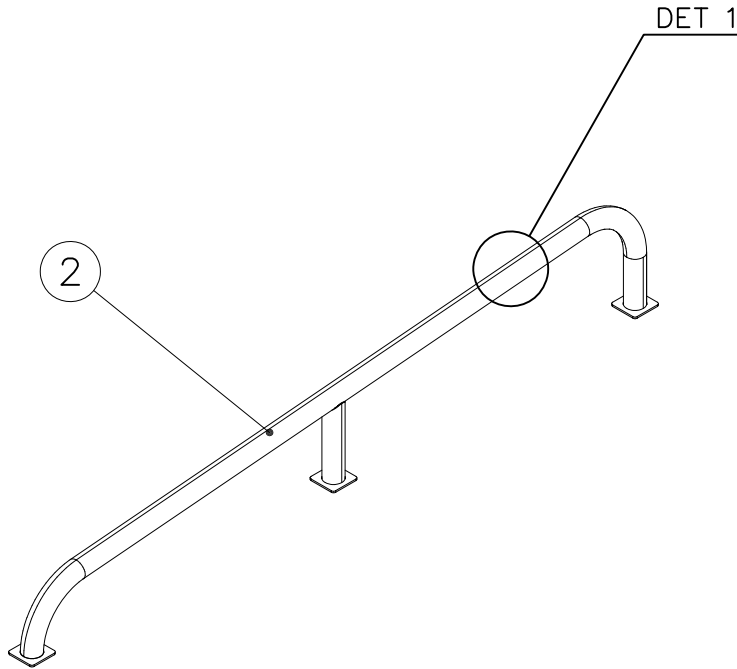
709261+		709262+	
○ 910330	PCS	○ 910567	PCS
SURFACE	2	CONCRETE	2
			
152x200x200		117x117x715	


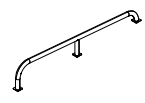
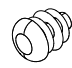


----- Falling Space 13 m<sup>2</sup>  
Max Falling Height 660 mm

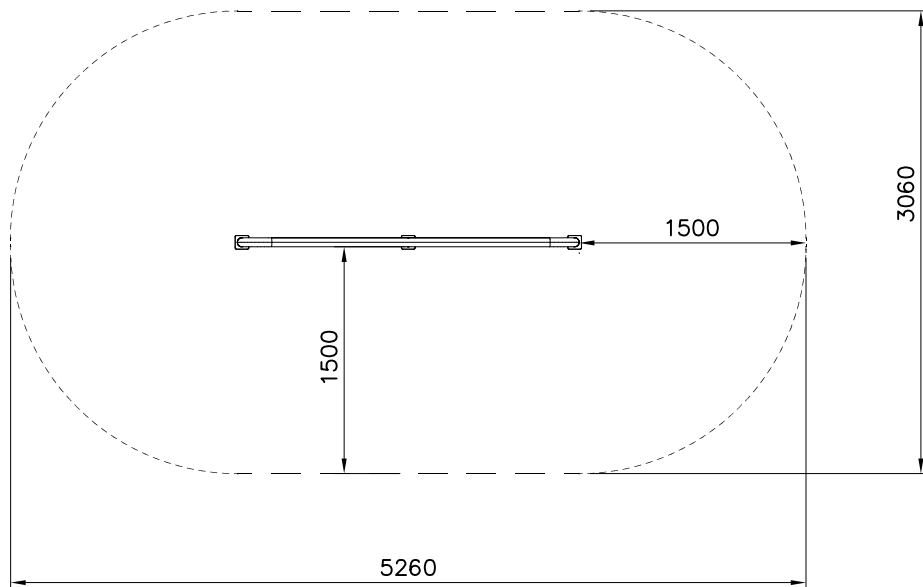
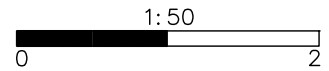


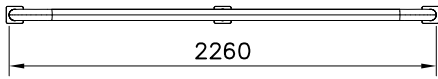
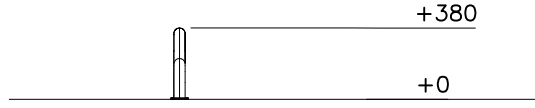
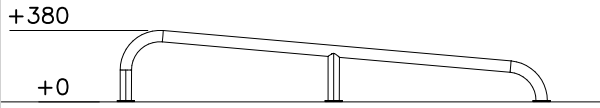




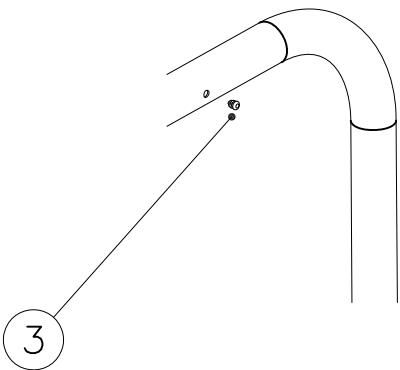
① 702341  90x50	PCS	② 910253  Ø60x376x2290	PCS
	1		1
③ 903533  SRL12	PCS		PCS
	4		

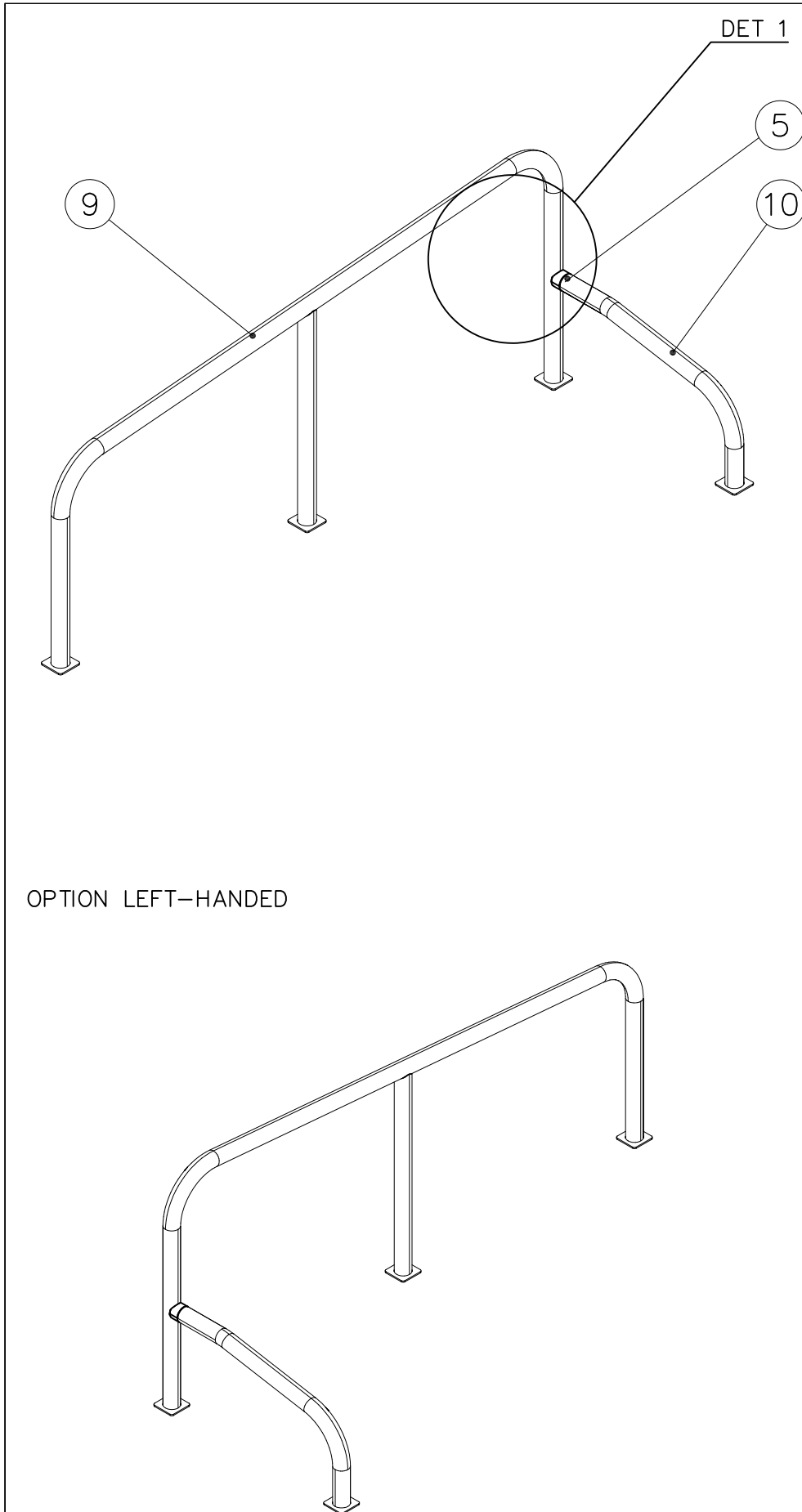
----- Falling Space 14.2 m<sup>2</sup>  
Max Falling Height 380 mm



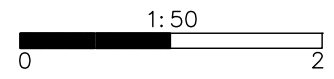
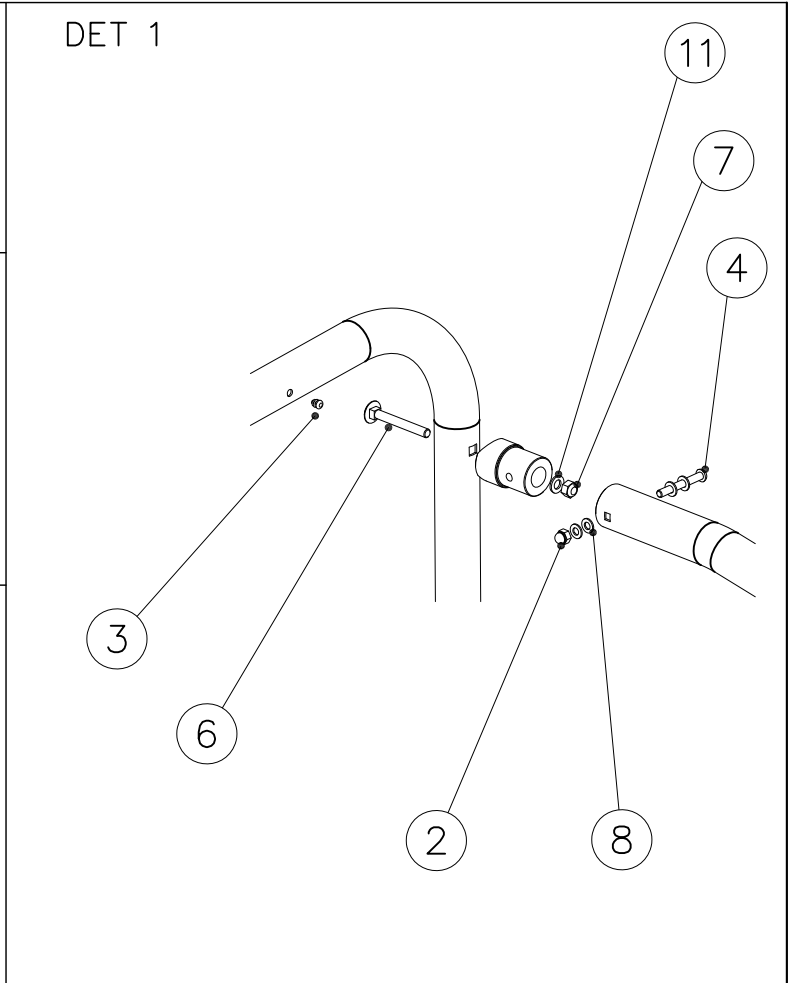
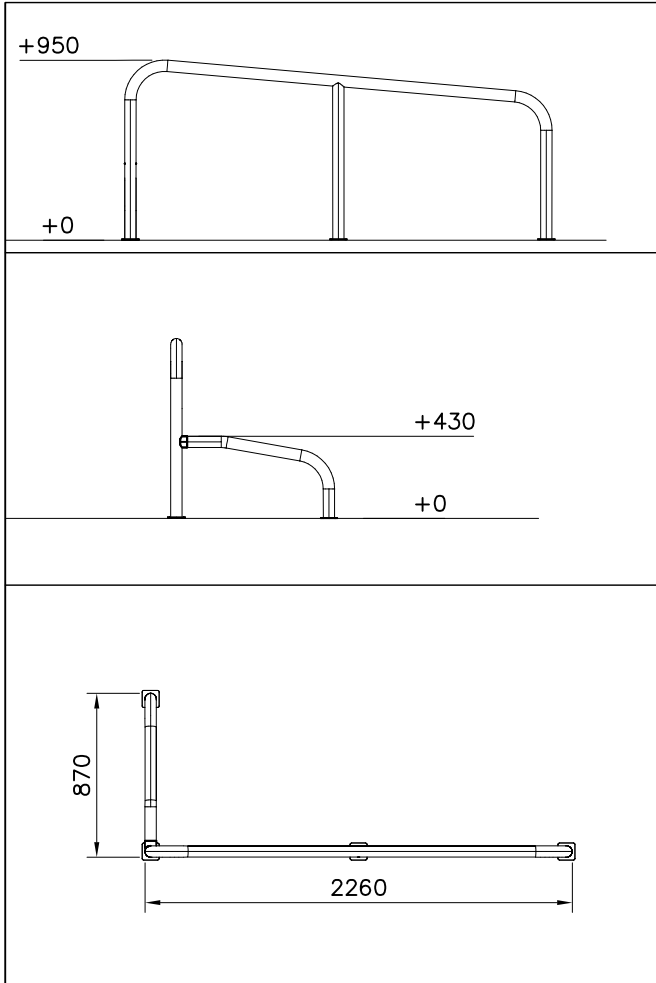


DET 1

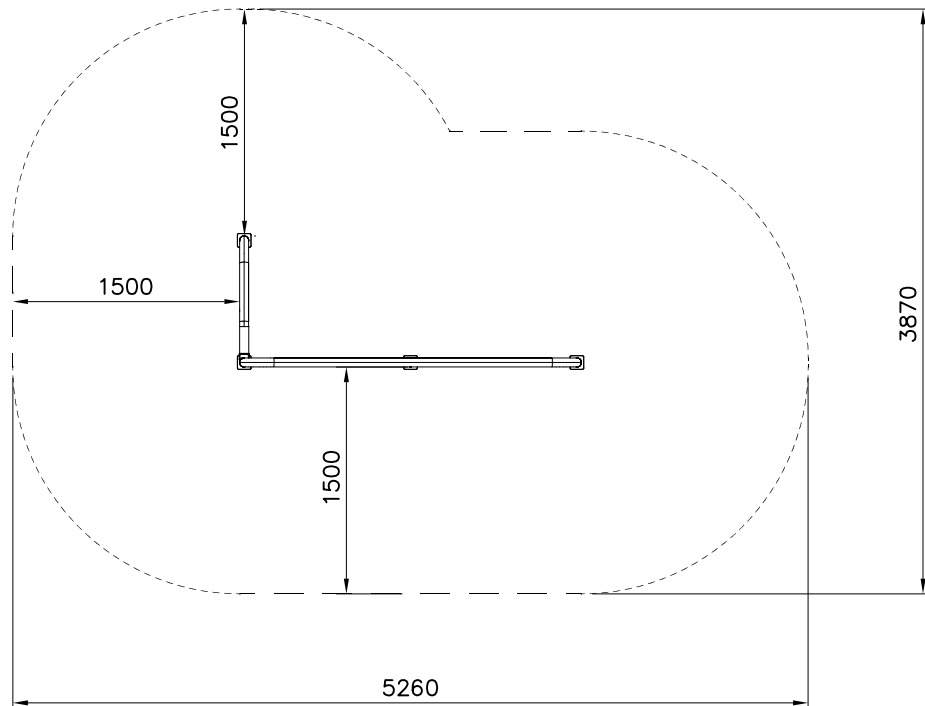


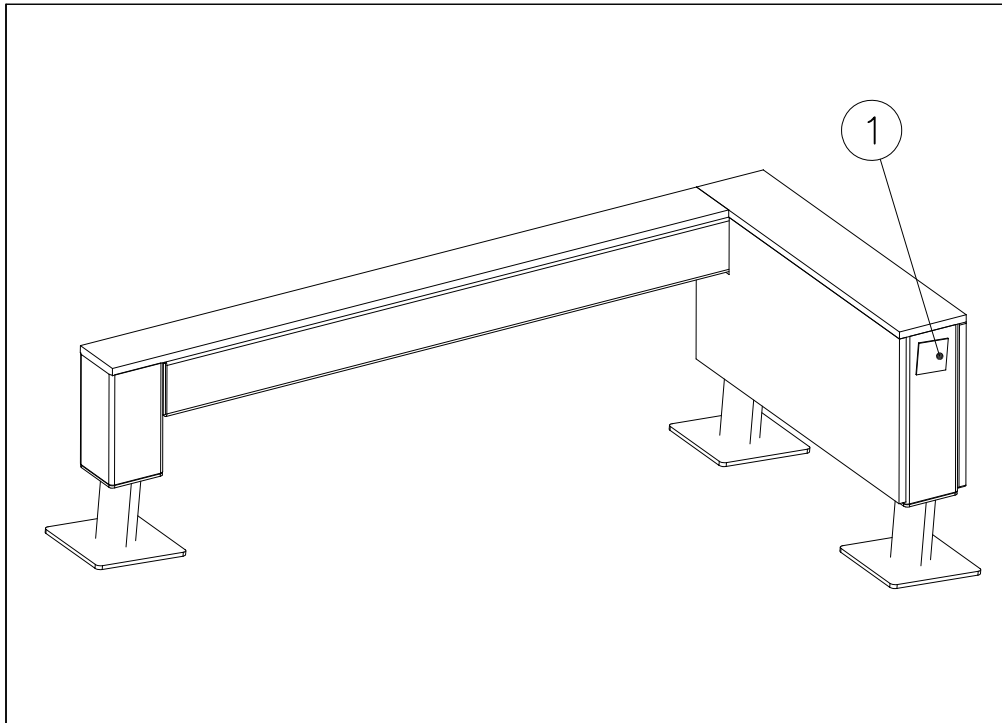



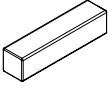
① 702341  90x50	PCS 1	② 900965  M10	PCS 1
③ 903533  SRL12	PCS 4	④ 904133  M10x80	PCS 1
⑤ 908069  Ø60x87.6	PCS 1	⑥ 909111  M12x100	PCS 1
⑦ 909248  M12	PCS 1	⑧ 909638  Ø20/10.5	PCS 4
⑨ 910255  Ø60x950x2290	PCS 1	⑩ 910262  Ø60x435x795	PCS 1
⑪ 980154  Ø24/13	PCS 1		PCS






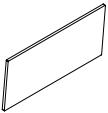
----- Falling Space 16.2 m2  
 Max Falling Height 950 mm

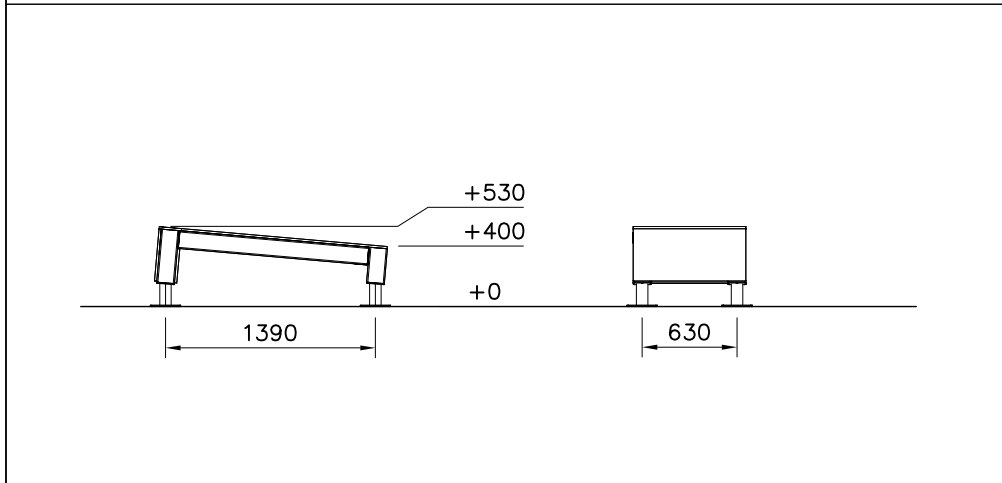


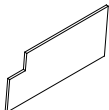
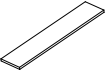



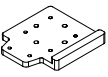
① 702286	PCS	② 707210	PCS
	1		2
65x65		118x118x503	

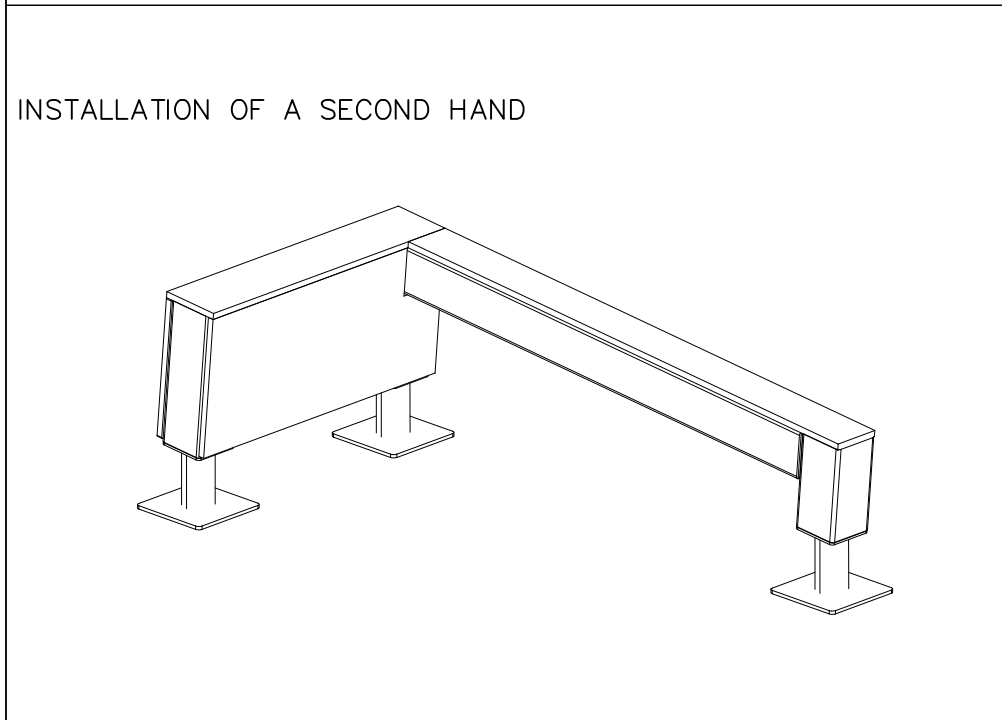
③ 707212	PCS	④ 708347	PCS
	1		1
118x118x1254		118x118x231	

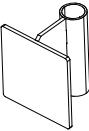

⑤ 708443	PCS	⑥ 708727	PCS
	2		1
118x118x352		15x346x745	






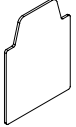
⑦ 708730	PCS	⑧ 708733	PCS
	1		1
15x346x745		15x148x745	




⑨ 708734	PCS	⑩ 708857 JIG	PCS
	1		1
15x118x1365		20x133x149	



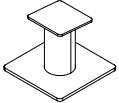

⑪ 910266	PCS	⑫ 900240	PCS
	2		16
90x108x118		Ø8x70	

⑬ 903093	PCS	⑭ 905103	PCS
	4		2
Ø8x90		PT-28/32-H	

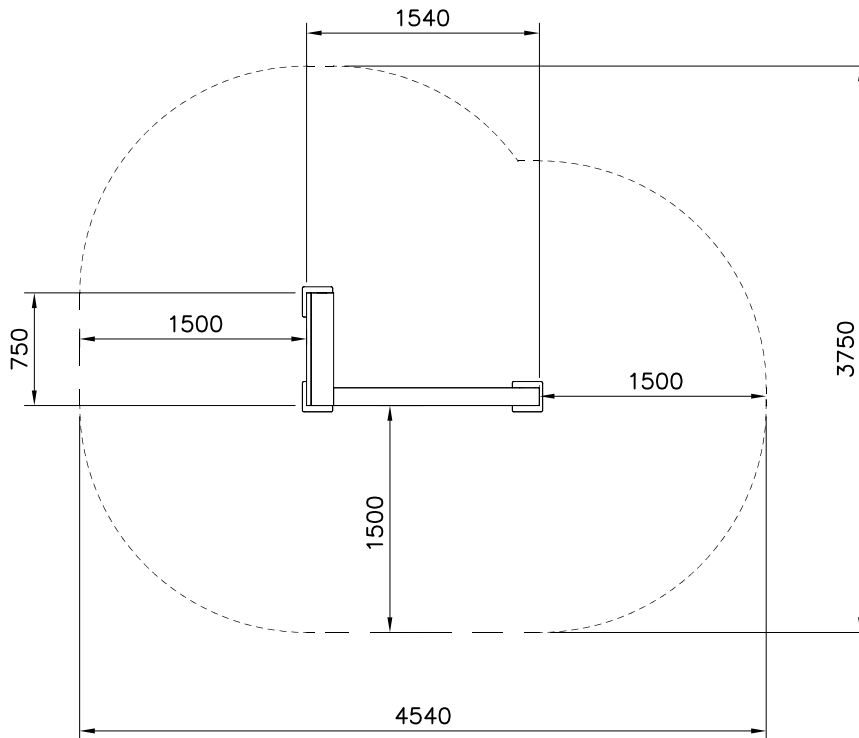
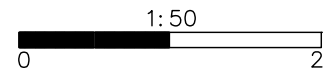
⑮ 905112	PCS	⑯ 908698	PCS
	4		4
Ø22		3x114x108	

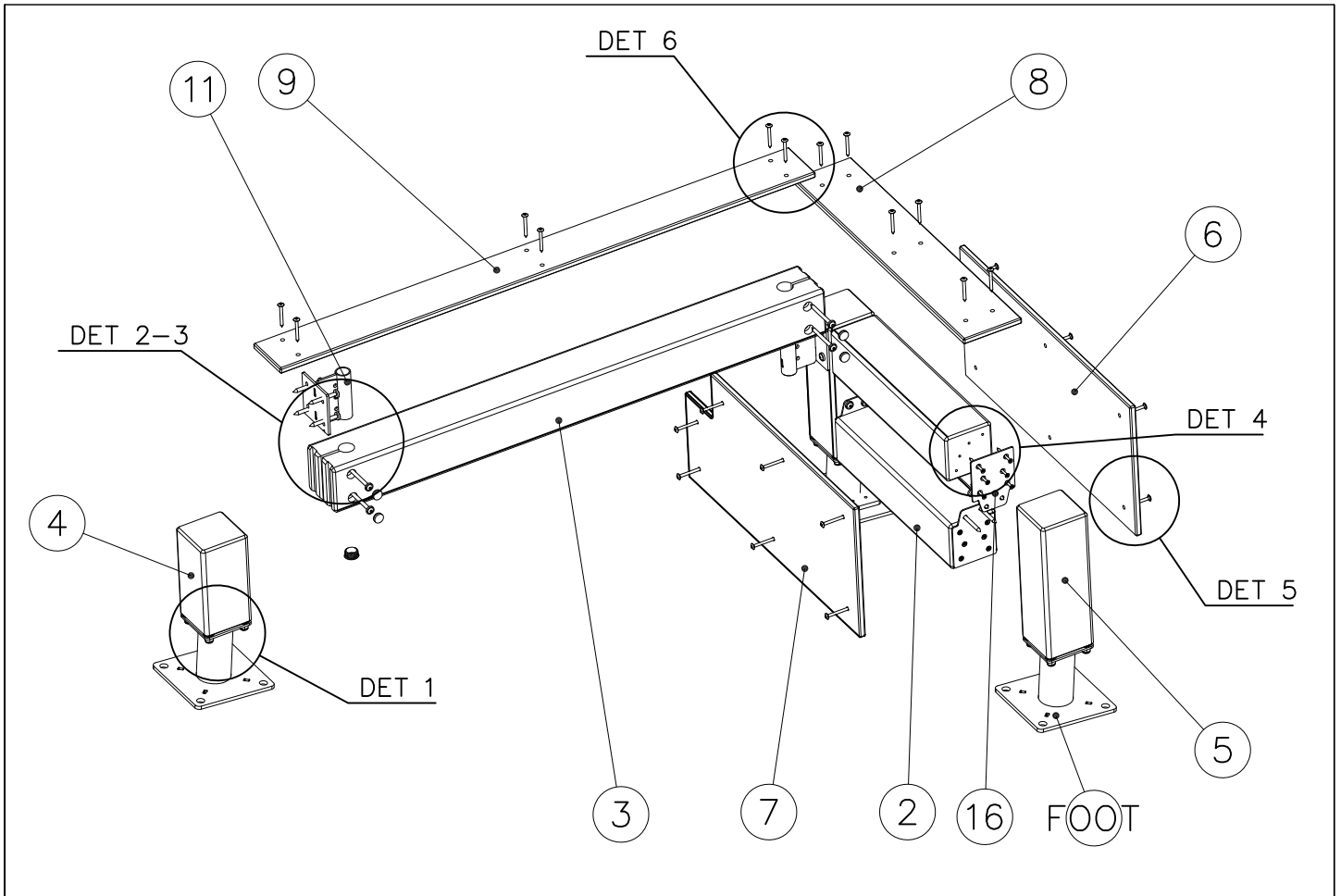
17	980100	PCS	18	980114	PCS	19	980123	PCS
		28			4			25
								
	Ø5x60			Ø4x20			Ø7x60	

FOOT OPTIONS

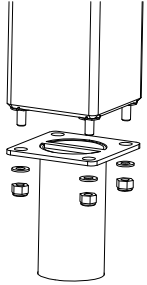
709261+		709262+	
○ 910267	PCS	○ 910567	PCS
SURFACE	3	CONCRETE	3
			
152x200x200		117x117x715	

----- Falling Space 13.8 m<sup>2</sup>  
Max Falling Height 530 mm

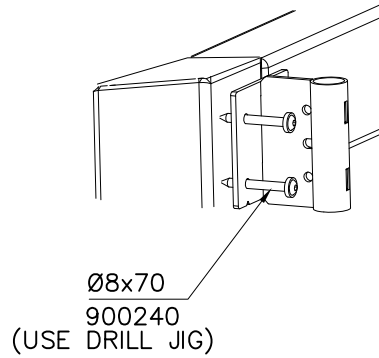




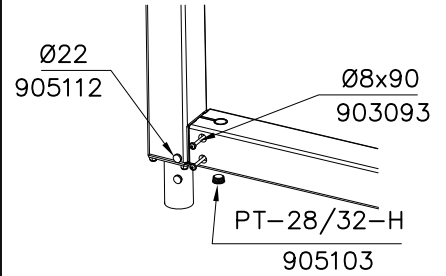
DET 1



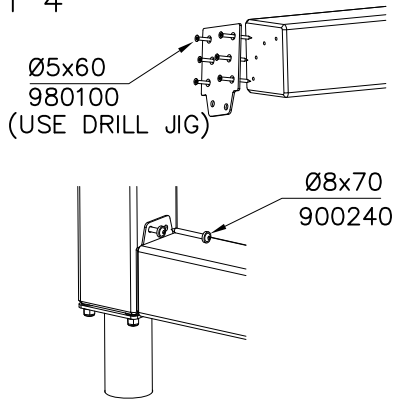
DET 2



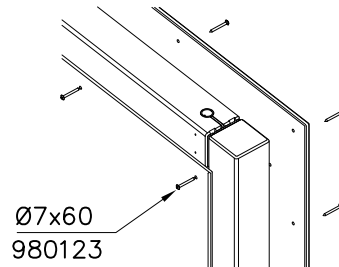
DET 3



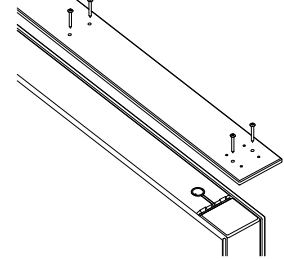
DET 4



DET 5

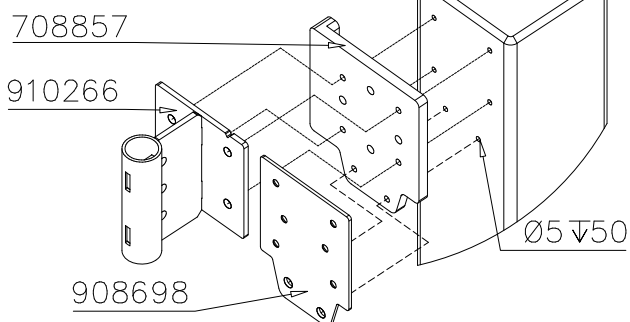


Ø7x60  
980123

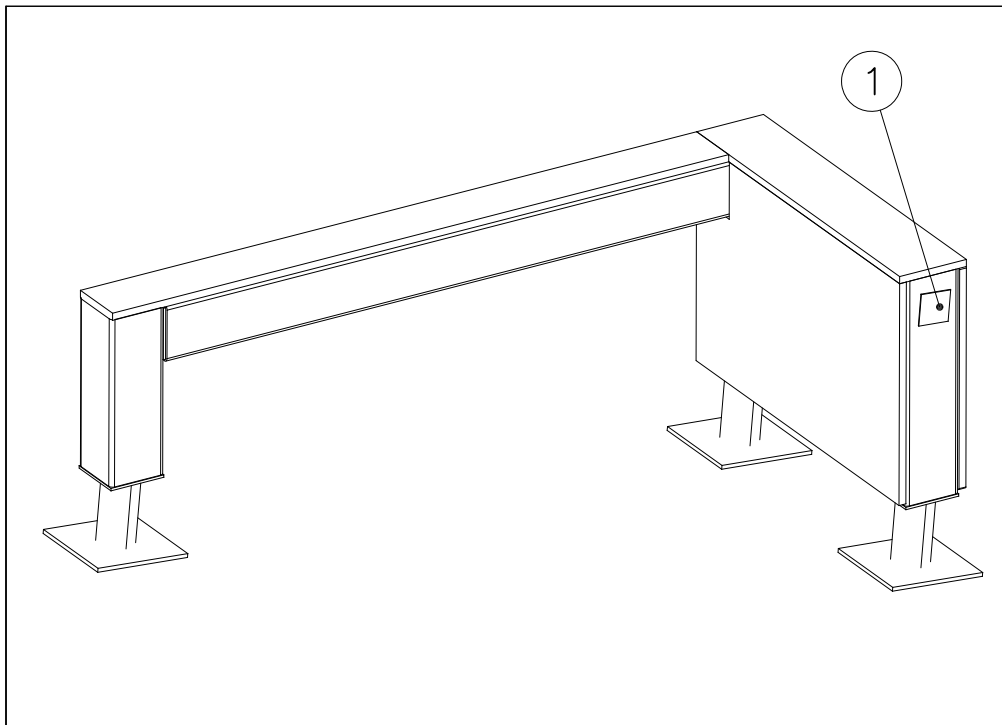


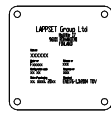
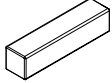
JIG DET A (USE DET 2-4)


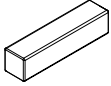
NOTE:  
Use drill jig 708857  
to predrill Ø5∇50  
holes for 910266  
and 908698

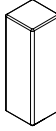
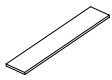


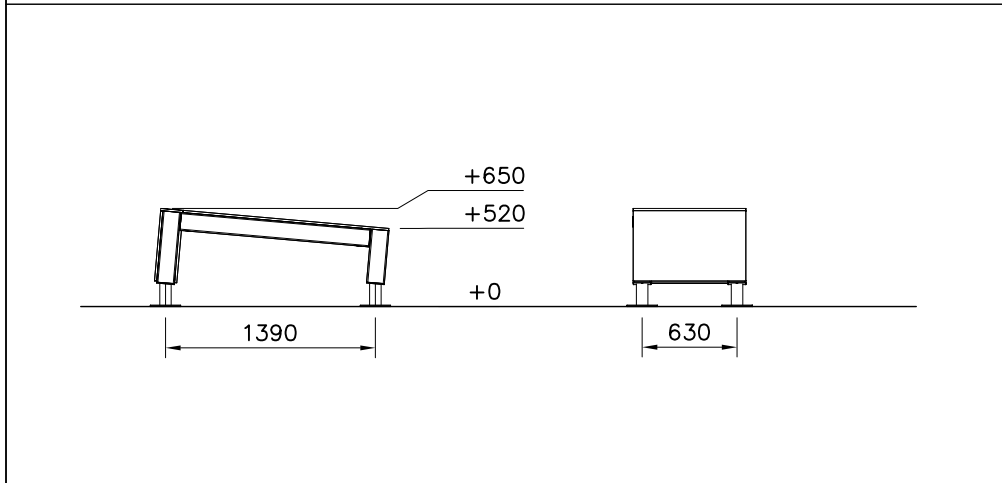



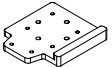


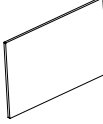

① 702286	PCS	② 707210	PCS
	1		2
65x65		118x118x503	

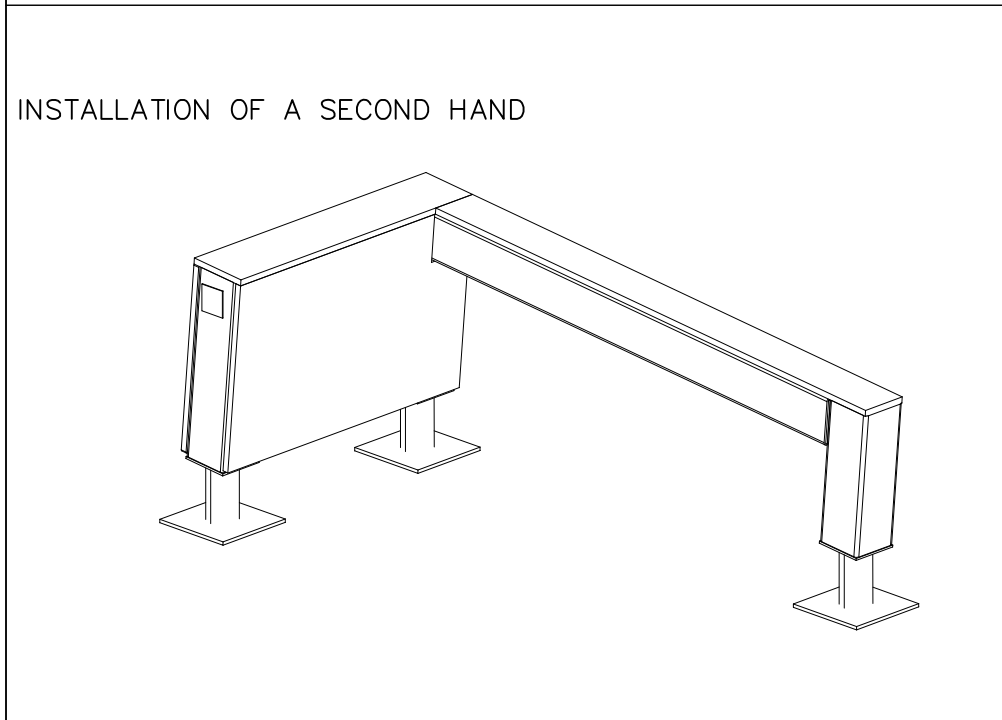
③ 707212	PCS	④ 707889	PCS
	1		2
118x118x1254		118x118x472	



⑤ 708443	PCS	⑥ 708733	PCS
	1		1
118x118x352		15x148x745	


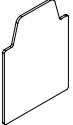


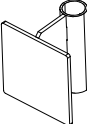
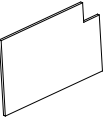
⑦ 708734	PCS	⑧ 708857 JIG	PCS
	1		1
15x118x1365		20x133x149	




⑨ 708731	PCS	⑩ 900240	PCS
	1		16
15x466x745		Ø8x70	



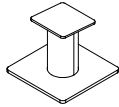
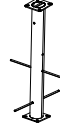
⑪ 903093	PCS	⑫ 905103	PCS
	4		2
Ø8x90		PT-28/32-H	

⑬ 905112	PCS	⑭ 908698	PCS
	4		4
Ø22		3x114x108	

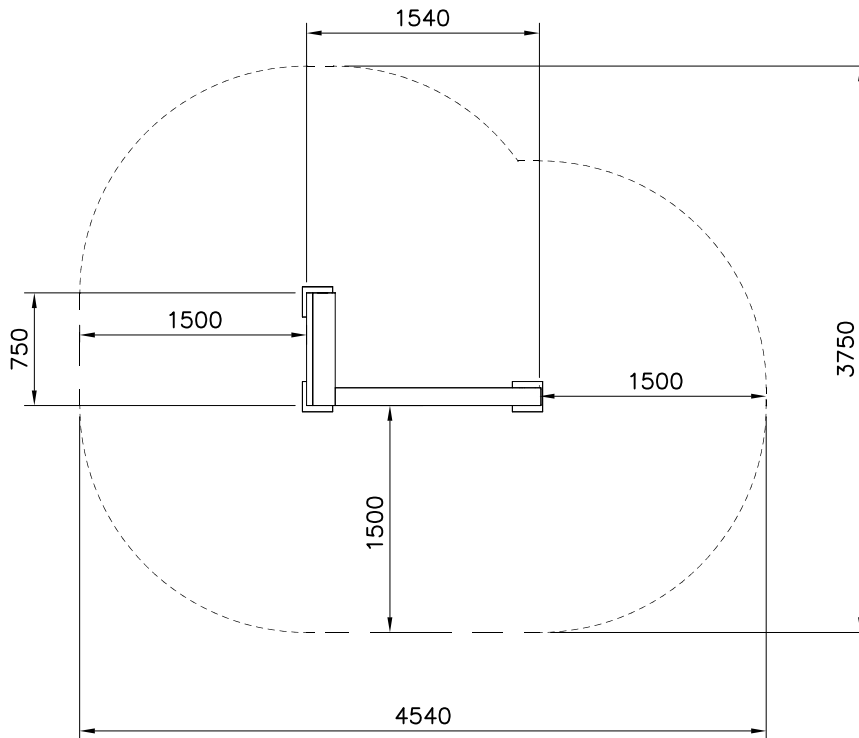
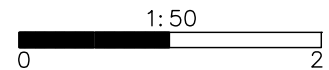
⑮ 910266	PCS	⑯ 708732	PCS
	2		1
90x108x118		15x466x745	

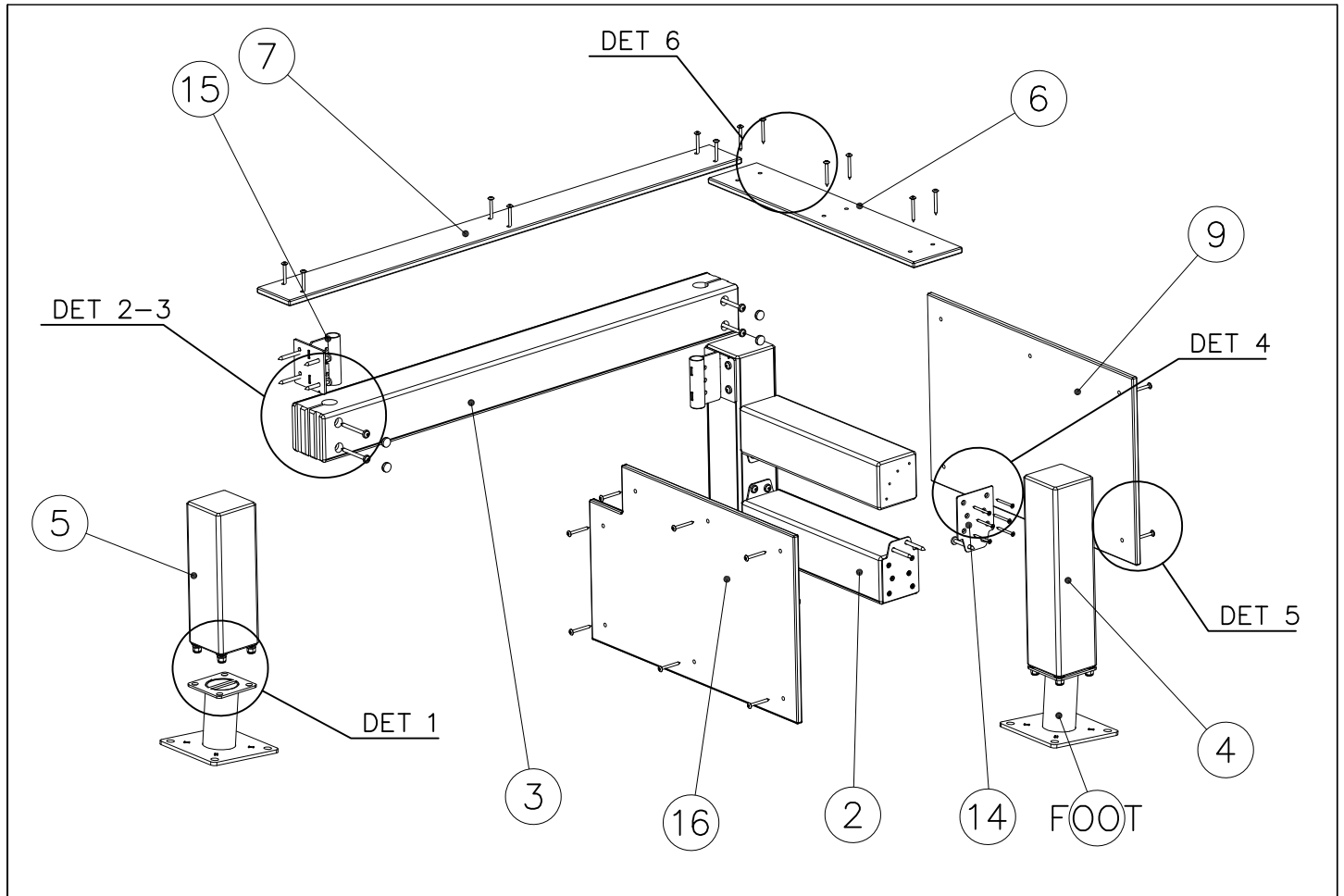
17	980100	PCS	18	980114	PCS	19	980123	PCS
		28			4			25
								
Ø5x60			Ø4x20			Ø7x60		

FOOT OPTIONS

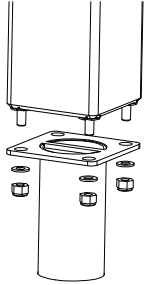
709261+		709262+	
○ 910267	PCS	○ 910567	PCS
SURFACE	3	CONCRETE	3
			
152x200x200		117x117x715	

----- Falling Space 13.8 m<sup>2</sup>  
Max Falling Height 650 mm

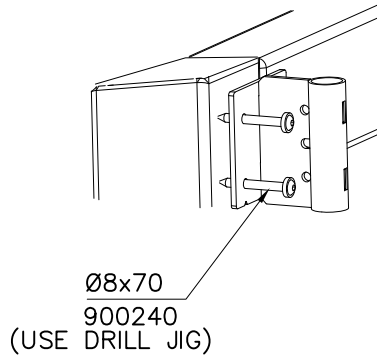




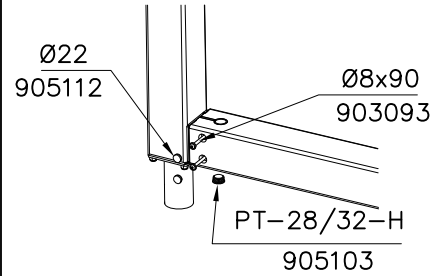
DET 1



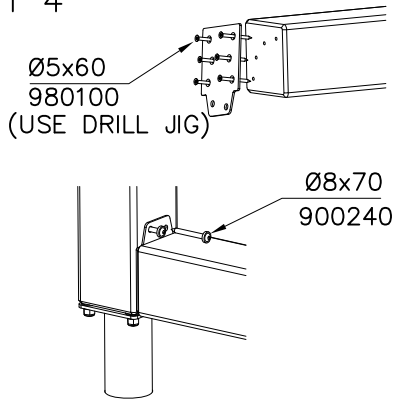
DET 2



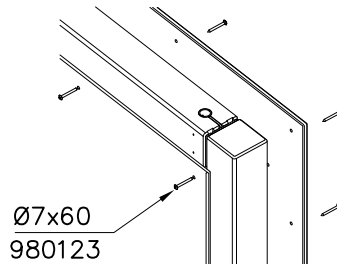
DET 3



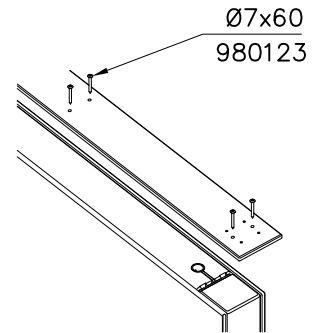
DET 4



DET 5

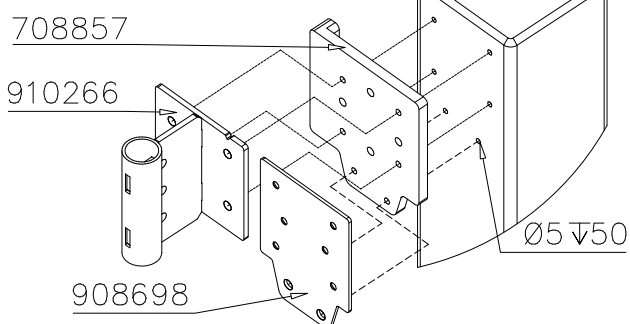


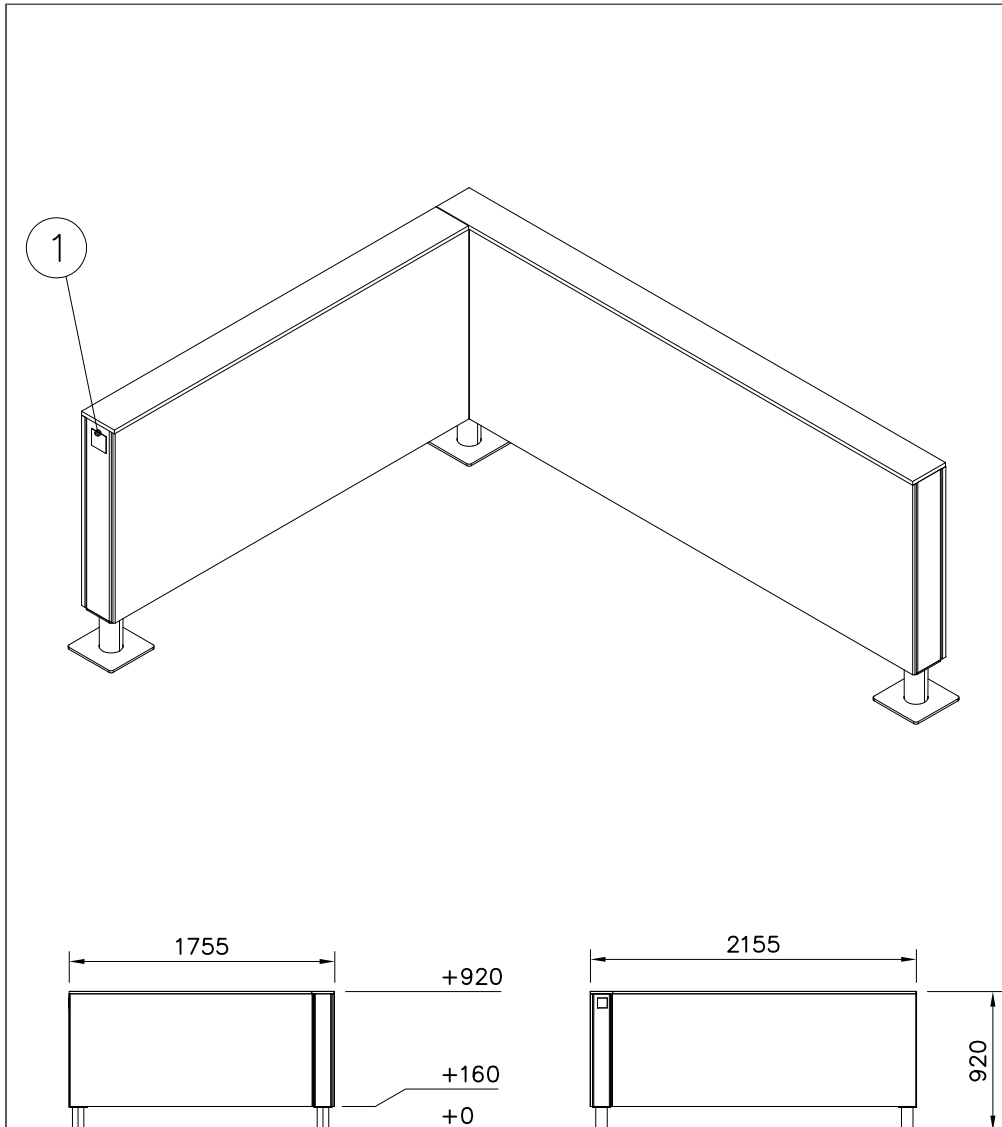
DET 6



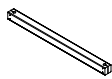


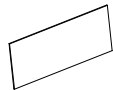

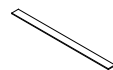
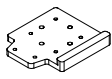
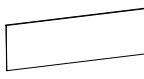





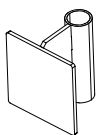




JIG DET A (USE DET 2-4)

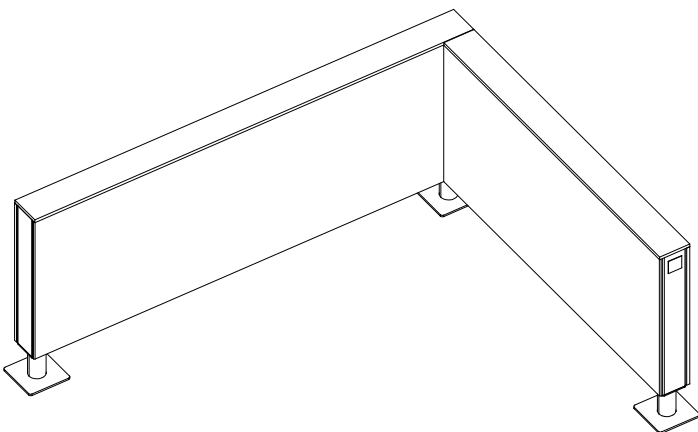
NOTE:  
Use drill jig 708857  
to predrill  $\text{Ø}5\sqrt{50}$   
holes for 910266  
and 908698



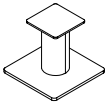
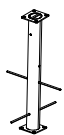


① 702286  65x65	PCS 1	② 707213  118x118x1490	PCS 2
③ 707517  118x118x1892	PCS 2	④ 708137  118x118x745	PCS 3
⑤ 708715  15x745x2140	PCS 1	⑥ 708716  15x745x1753	PCS 1
⑦ 708737  15x148x1601	PCS 1	⑧ 708738  15x148x2153	PCS 1
⑨ 708857 JIG  20x133x149	PCS 1	⑩ 911309 COLOR  12x745x2015	PCS 1
⑪ 911311 MURAL  12x745x1610	PCS 1	⑫ 900240  Ø8x70	PCS 32
⑬ 903093  Ø8x90	PCS 16	⑭ 905103  PT-28/32-H	PCS 8
⑮ 905112  Ø22	PCS 16	⑯ 910266  90x108x118	PCS 8
⑰ 980123  Ø7x60	PCS 56	⑱ 980114  Ø4x20	PCS 4

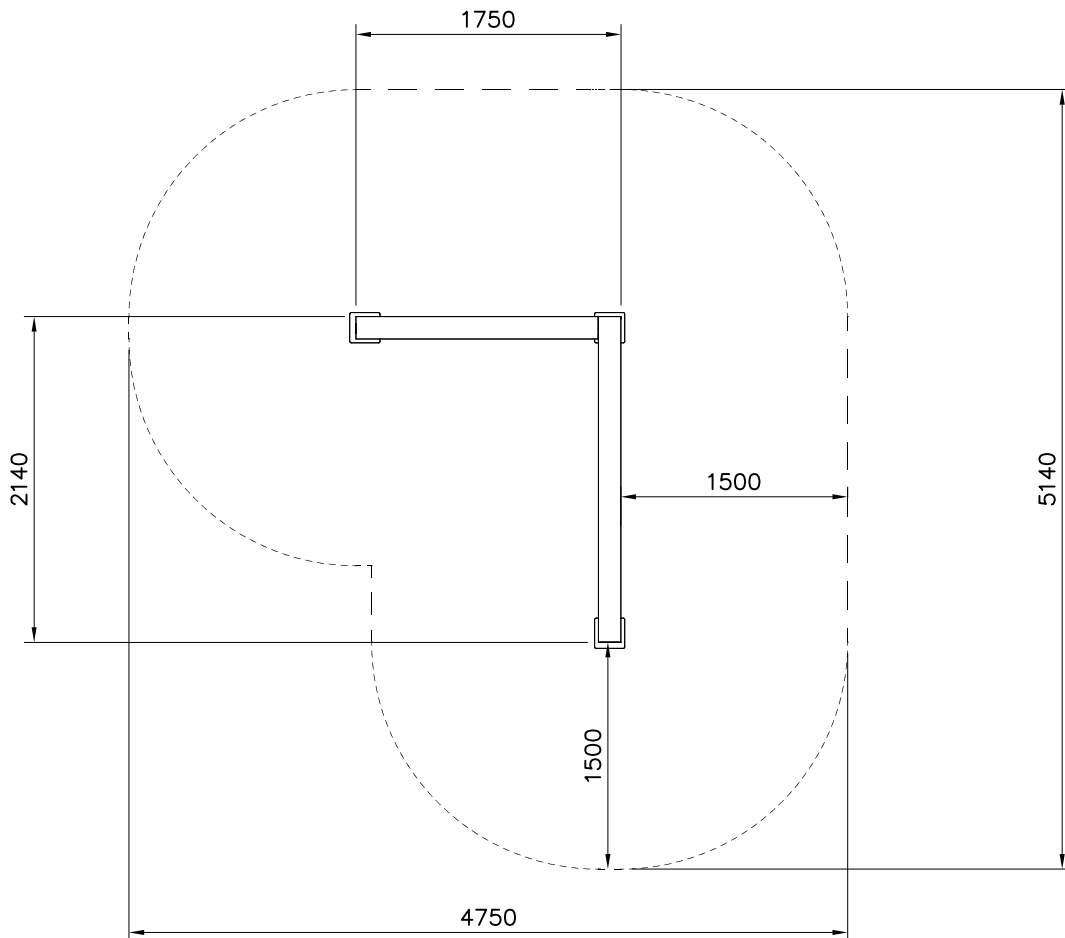
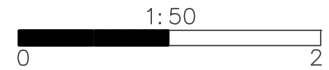
## INSTALLATION OF A SECOND HAND

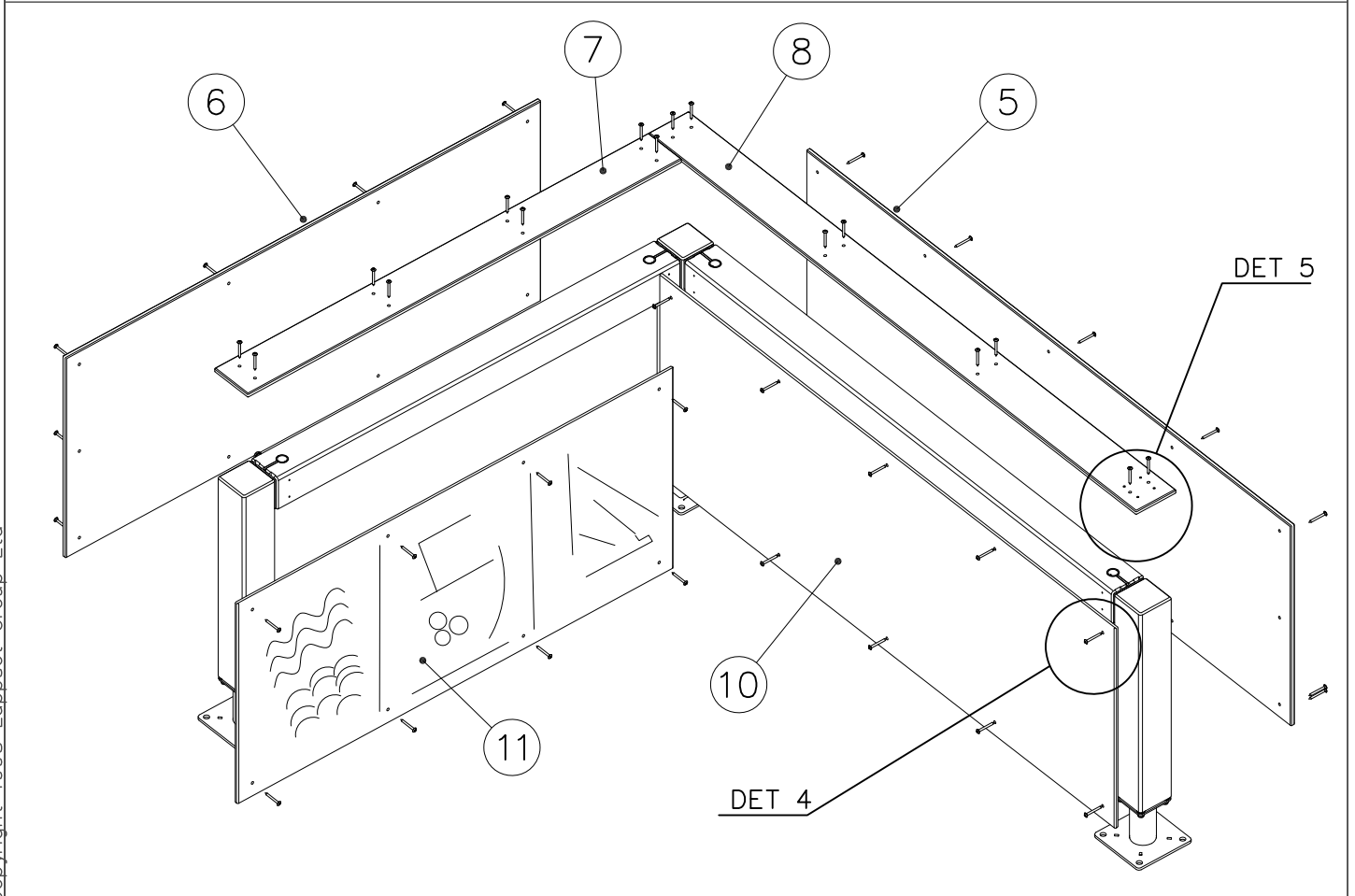
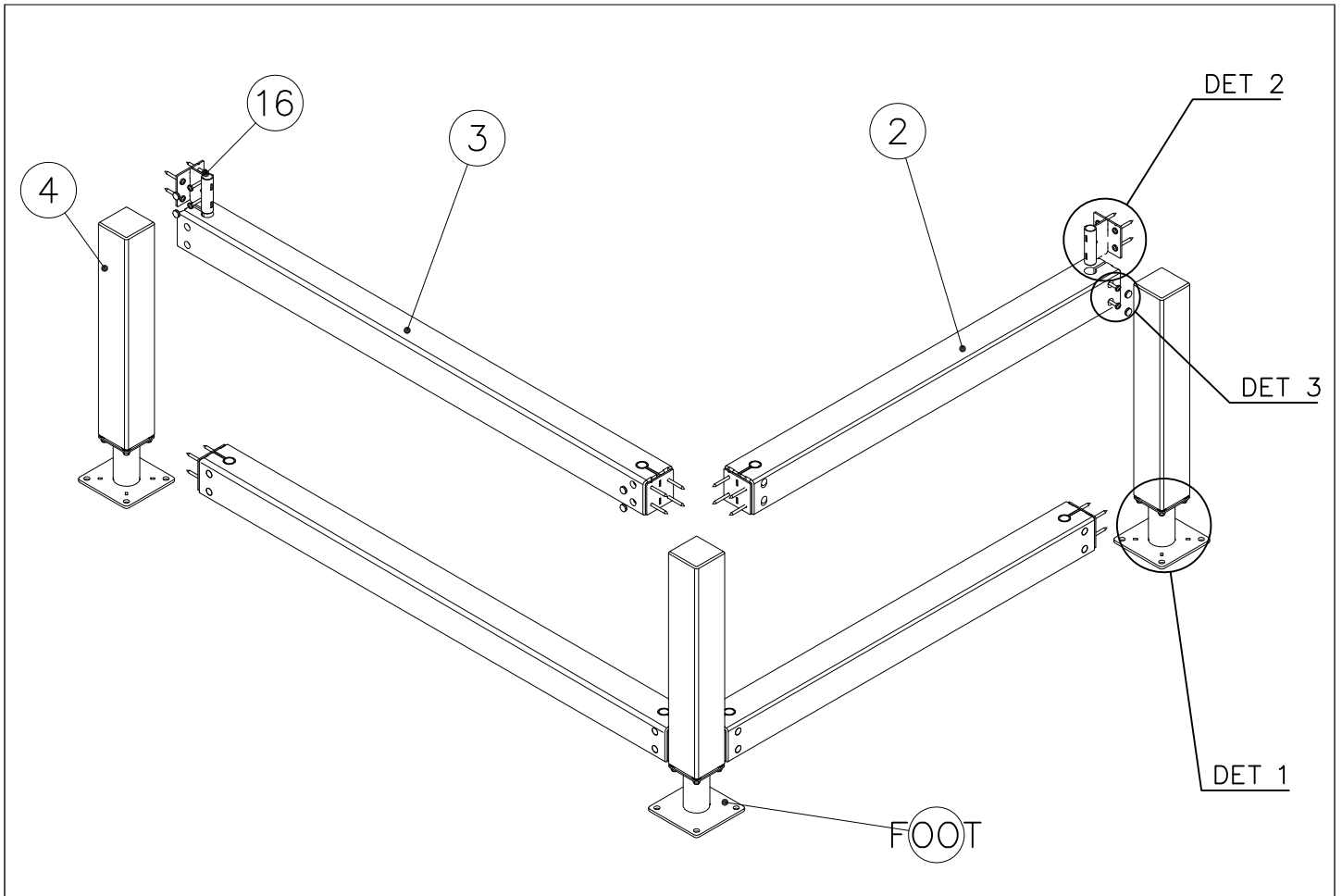


FOOT OPTIONS

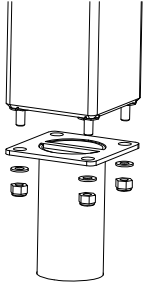
709261+		709262+	
○ 910330	PCS	○ 910567	PCS
SURFACE	3	CONCRETE	3
			
152x200x200		117x117x715	

----- Falling Space 18.8 m<sup>2</sup>  
 Max Falling Height 920 mm

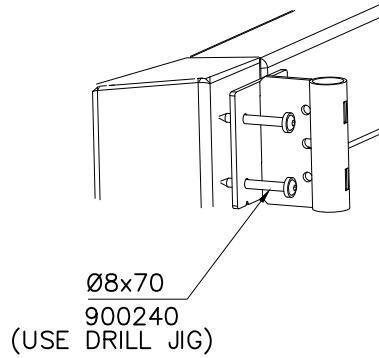




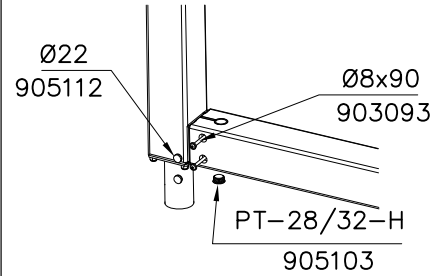
DET 1



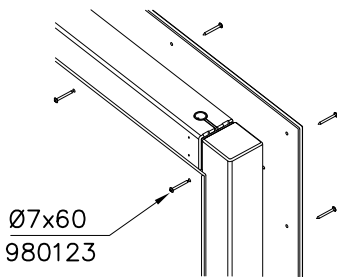
DET 2



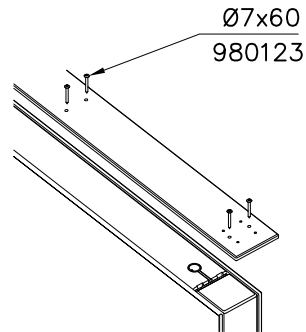
DET 3



DET 4

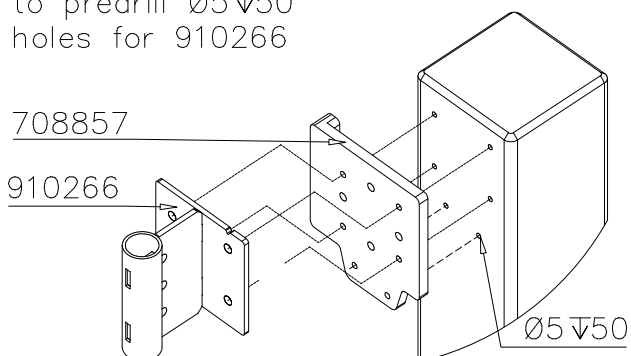


DET 5

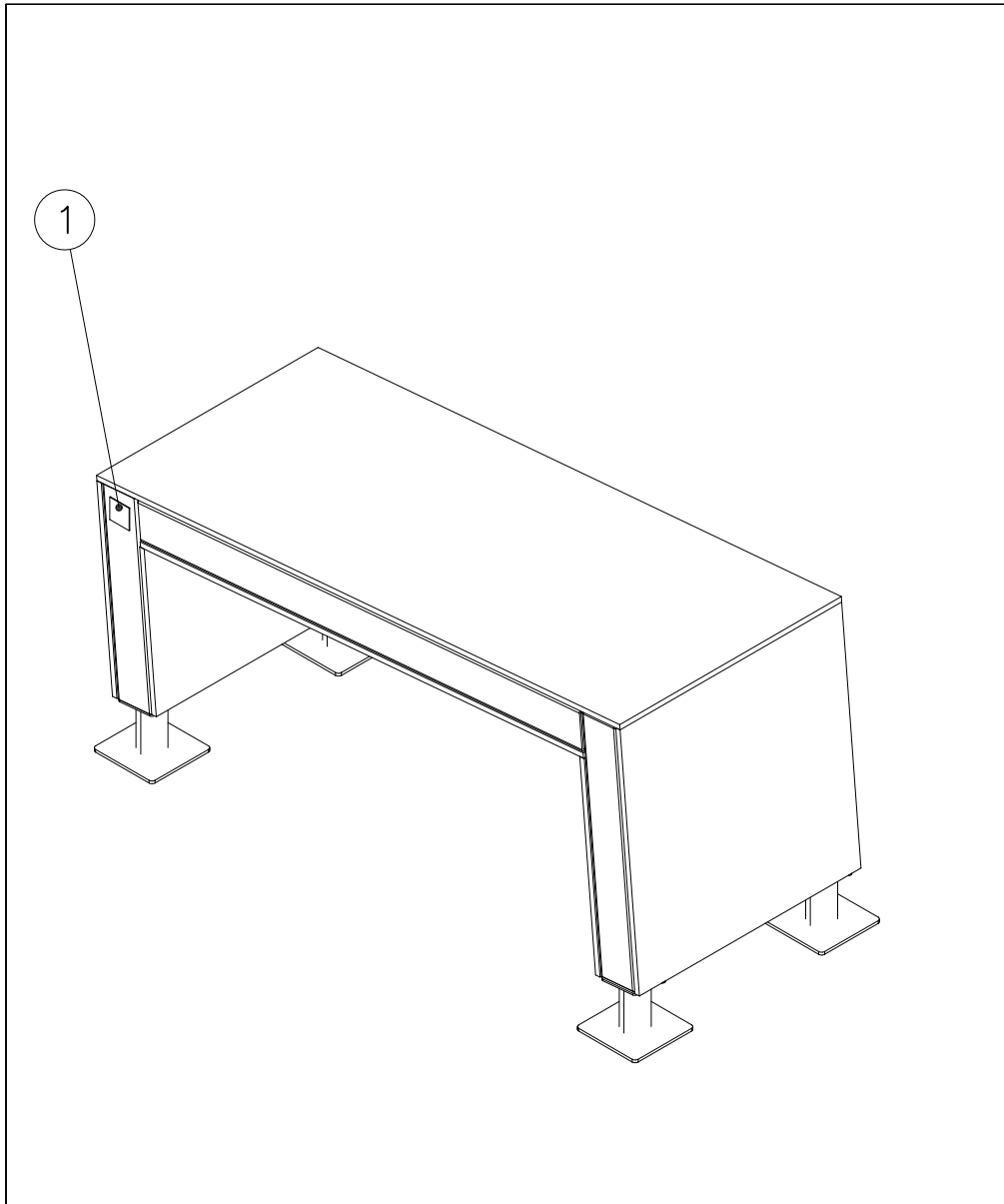



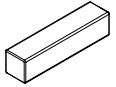

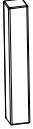

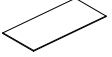
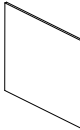

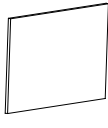
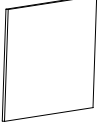
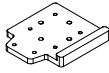

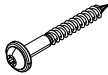

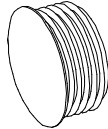
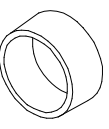
JIG DET A (USE DET 2)

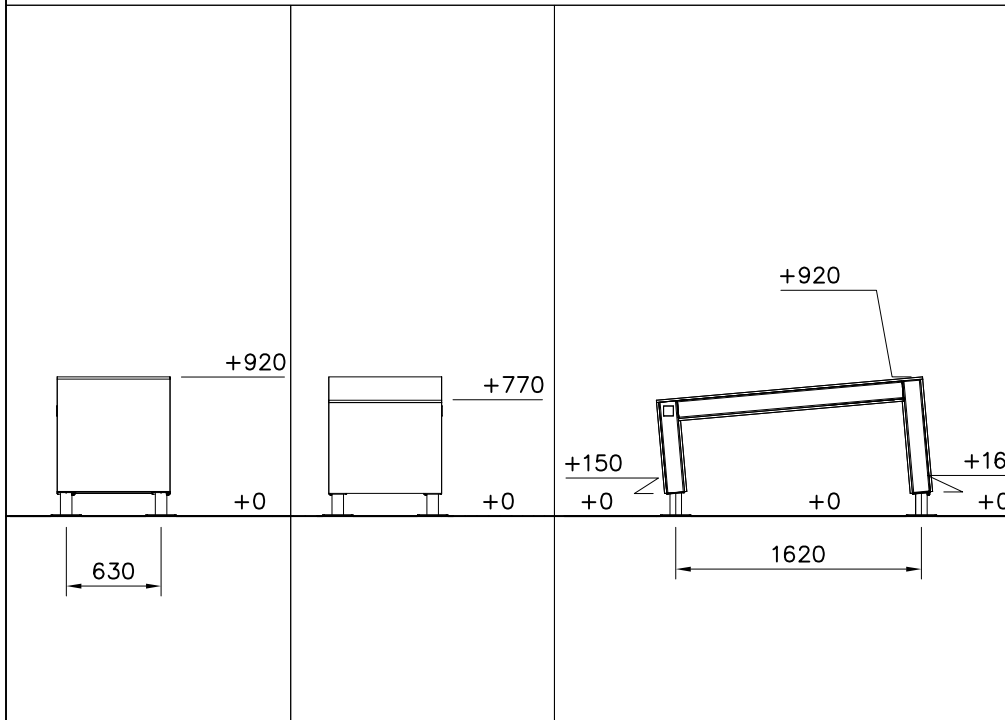
NOTE:  
Use drill jig 708857  
to predrill  $\text{Ø}5 \nabla 50$   
holes for 910266

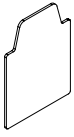
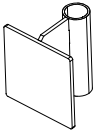







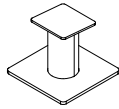



① 702286  65x65	PCS 1	② 707210  118x118x503	PCS 4
③ 707213  118x118x1490	PCS 2	④ 708127  118x118x603	PCS 2
⑤ 708137  118x118x745	PCS 2	⑥ 708721  15x745x1766	PCS 1
⑦ 708725  15x603x745	PCS 1	⑧ 708726  15x745x745	PCS 1
⑨ 708834  15x745x470	PCS 1	⑩ 708835  15x745x612	PCS 1
⑪ 708857 JIG  20x133x149	PCS 1	⑫ 709204  15x745x1495	PCS 1
⑬ 900240  Ø8x70	PCS 32	⑭ 903093  Ø8x90	PCS 8
⑮ 905103  PT-28/32-H	PCS 8	⑯ 905112  Ø22	PCS 8

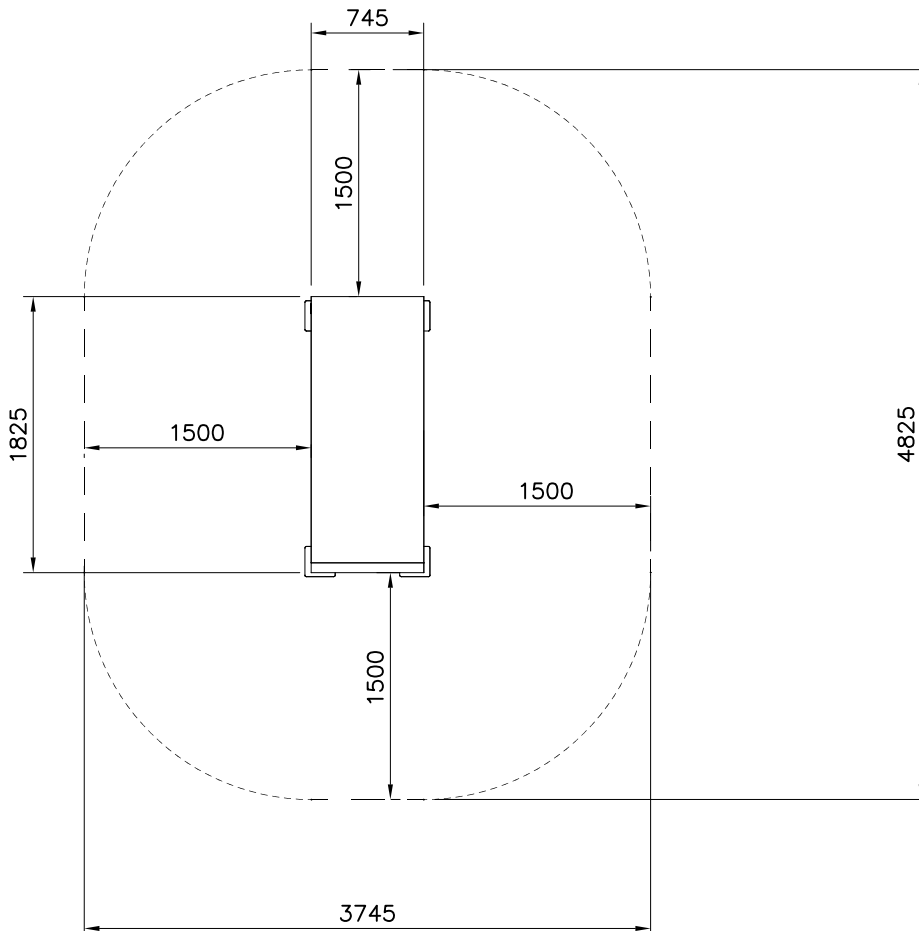
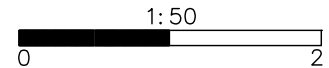


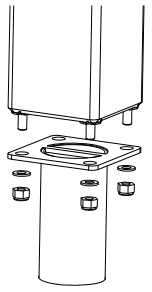
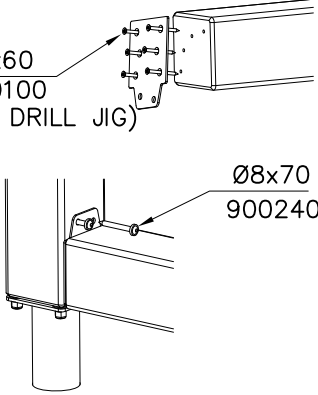
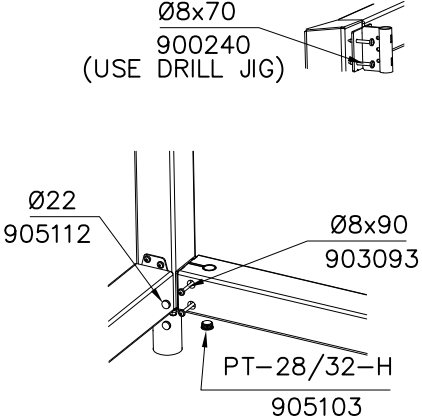
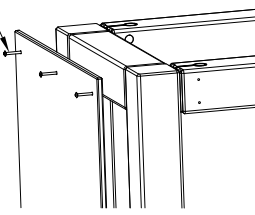
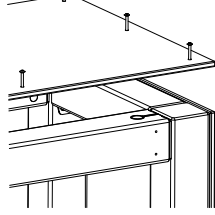
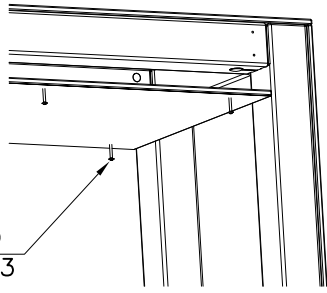
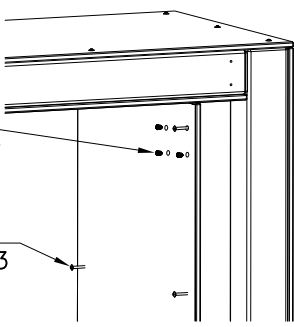
⑰ 908698	PCS	⑱ 910266	PCS	⑲ 980114	PCS	⑳ 980100	PCS	㉑ 980123	PCS		PCS		PCS
	8		4		4		48		38				
3x114x108		90x108x118		Ø4x20		Ø5x60		Ø7x60					
	PCS		PCS		PCS								

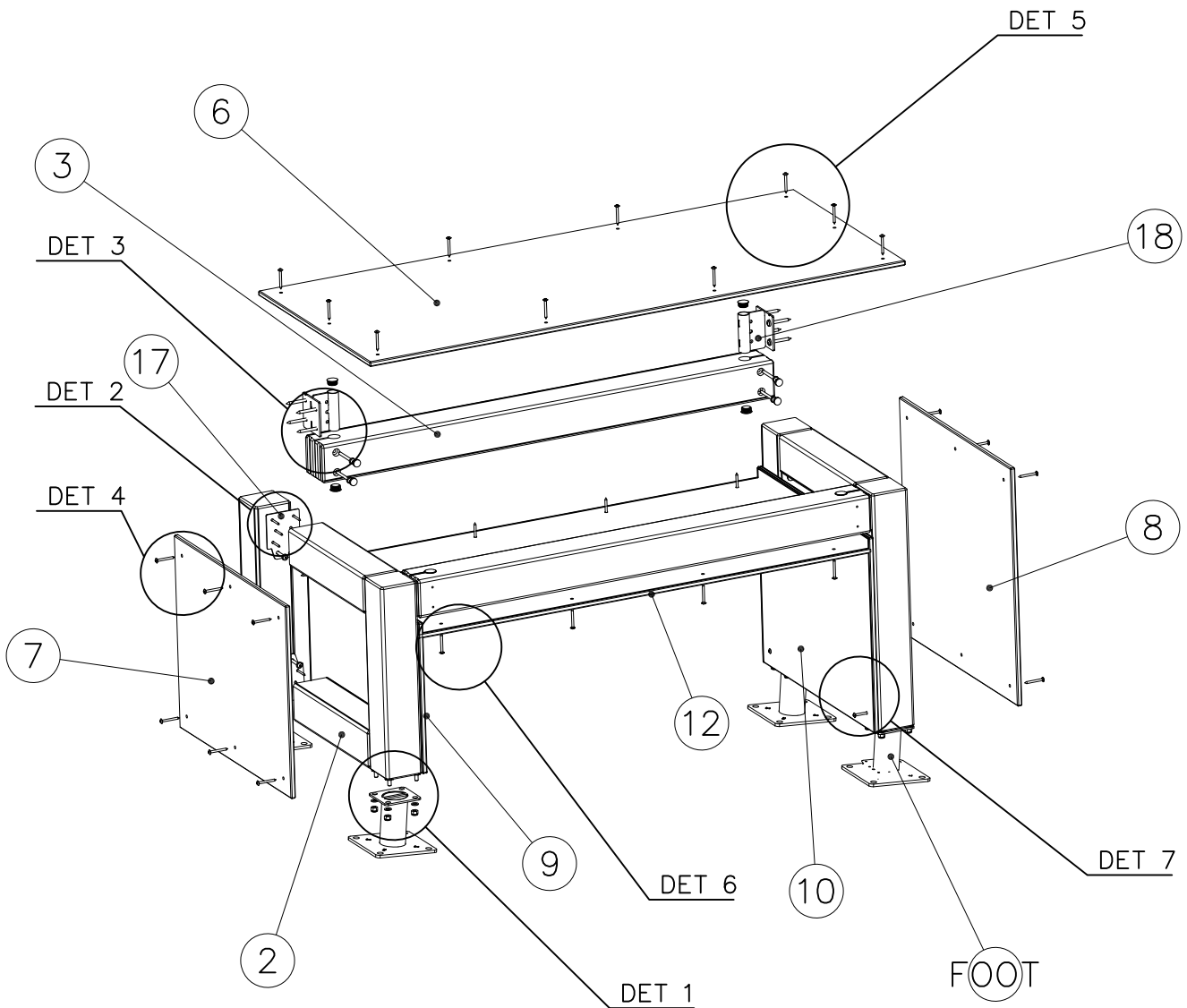
**FOOT OPTIONS**

709261+		709262+	
○ 910267	PCS	○ 910567	PCS
SURFACE	4	CONCRETE	4
			
152x200x200		117x117x715	

----- Falling Space 16.1 m<sup>2</sup>  
Max Falling Height 920 mm



<p>DET 1</p> 	<p>DET 2</p>  <p>Ø5x60 980100 (USE DRILL JIG)</p> <p>Ø8x70 900240</p>	<p>DET 3</p>  <p>Ø8x70 900240 (USE DRILL JIG)</p> <p>Ø22 905112</p> <p>Ø8x90 903093</p> <p>PT-28/32-H 905103</p>
<p>DET 4</p>  <p>Ø7x60 980123</p>	<p>DET 5</p>  <p>Ø7x60 980123</p>	<p>DET 6</p>  <p>Ø7x60 980123</p>
<p>DET 7</p>  <p>SRL12 903533</p> <p>Ø7x60 980123</p>		



## JIG DET A (USE DET 2-3)

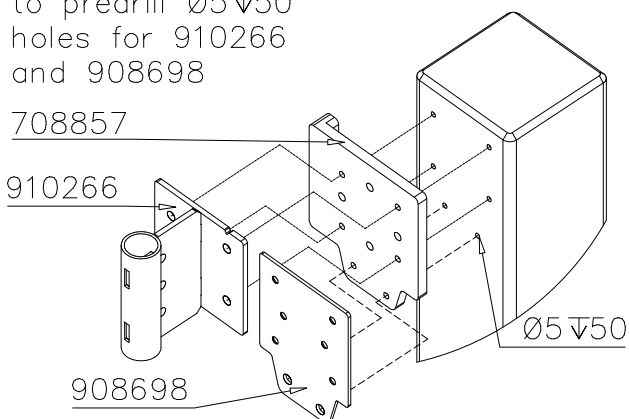
### NOTE:

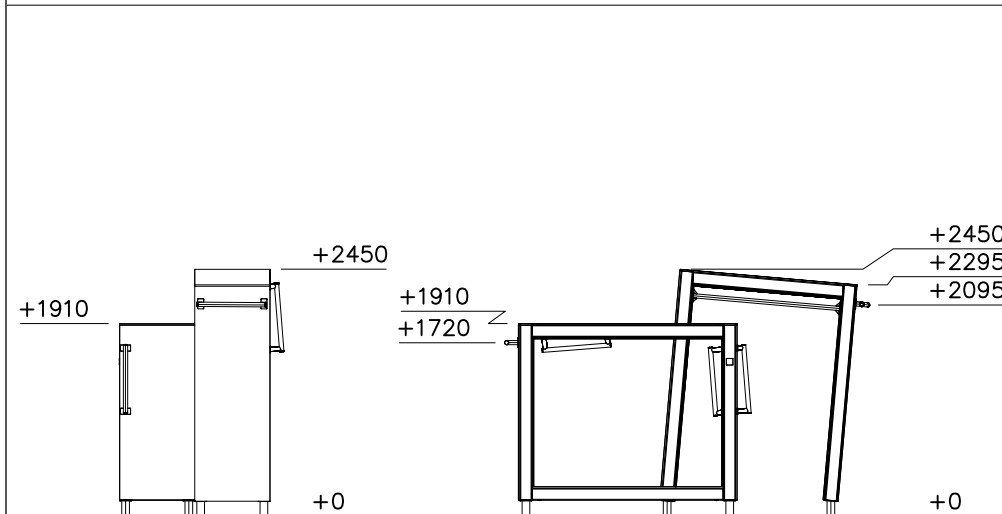
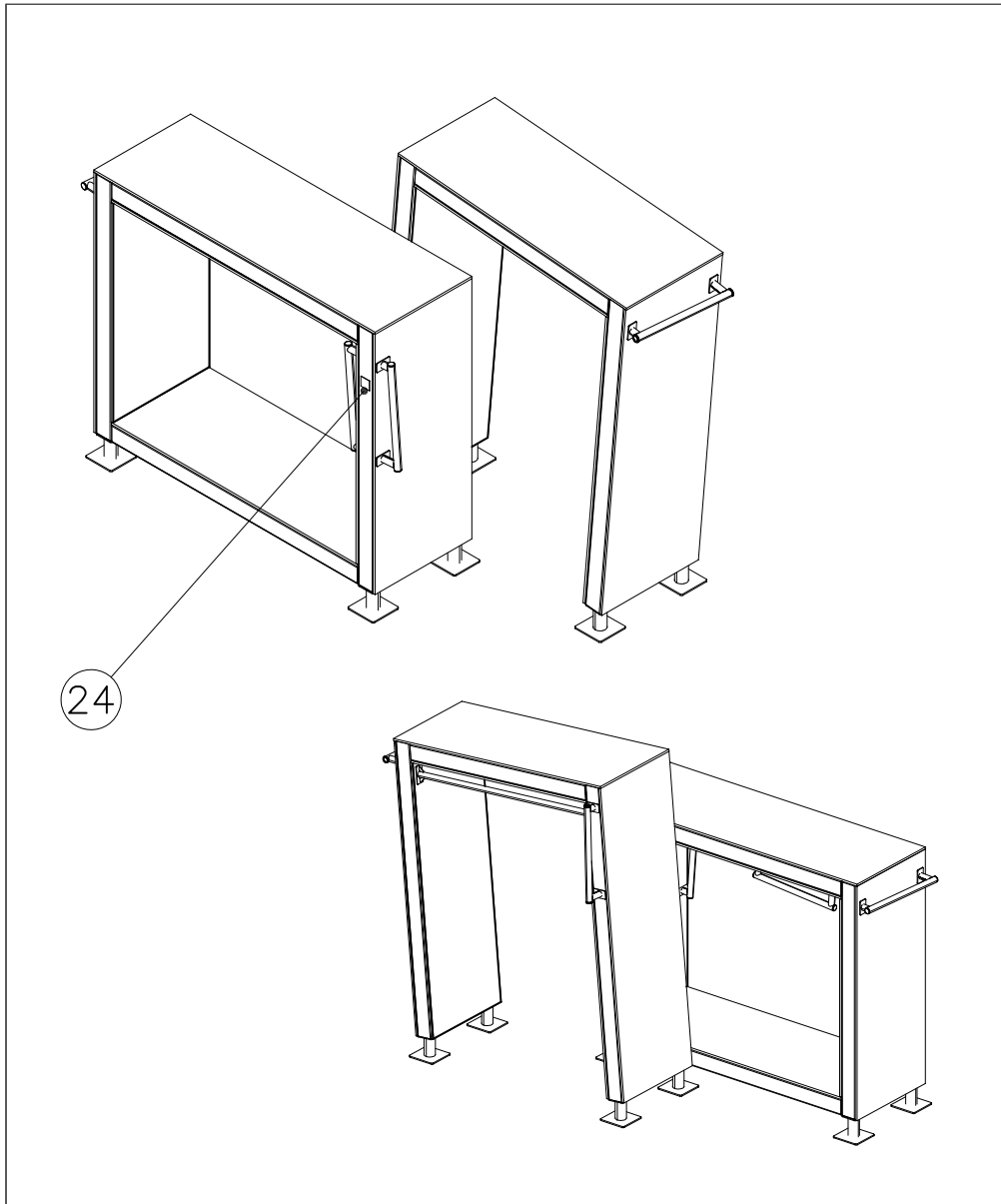
Use drill jig 708857 to predrill  $\text{Ø}5 \nabla 50$  holes for 910266 and 908698

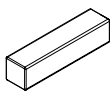

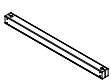



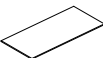
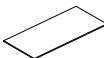


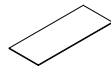
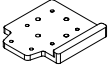
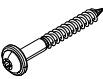

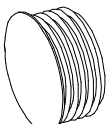
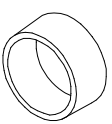
708857

910266

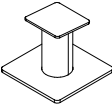
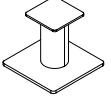

908698



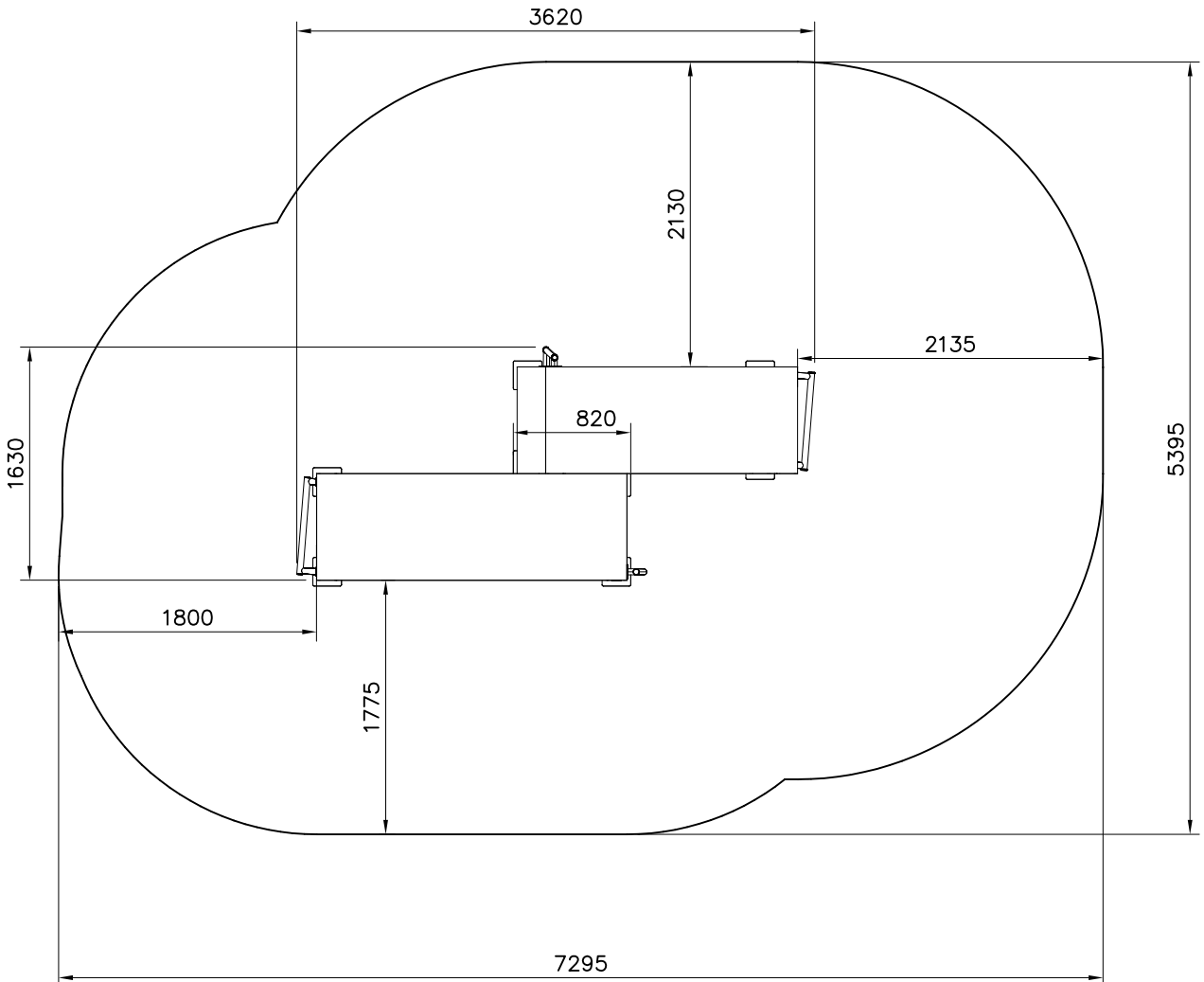
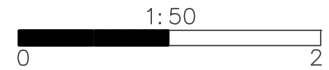


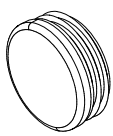
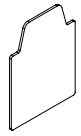

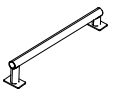
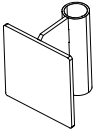




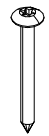


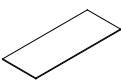
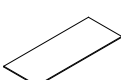


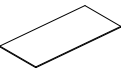
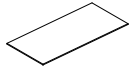

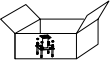
① 707210  118x118x503	PCS 8	② 707213  118x118x1490	PCS 2
③ 707517  118x118x1892	PCS 4	④ 708346  118x118x1736	PCS 4
⑤ 708522  118x118x2139	PCS 2	⑥ 708688  118x118x2279	PCS 2
⑦ 708721  15x745x1766	PCS 1	⑧ 708722  15x745x2280	PCS 1
⑨ 708836  15x745x1736	PCS 2	⑩ 708837  15x745x2168	PCS 1
⑪ 708839  15x745x1897	PCS 1	⑫ 708857  20x133x149	PCS 1
⑬ 900240  Ø8x70	PCS 112	⑭ 903093  Ø8x90	PCS 24
⑮ 905103  PT-28/32-H	PCS 16	⑯ 905112  Ø22	PCS 24

### FOOT OPTIONS

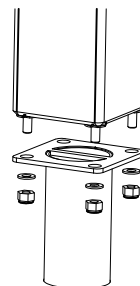
709261+		709261+		709262+	
○ 910267	PCS	○ 910330	PCS	○ 910567	PCS
SURFACE	4	SURFACE	4	CONCRETE	8
					
152x200x200		152x200x200		117x117x715	

- EN Impact Attenuating Surface (IAS) 32.7 m<sup>2</sup>
- - - - Falling Space 32.7 m<sup>2</sup>  
Max Falling Height 2450 mm

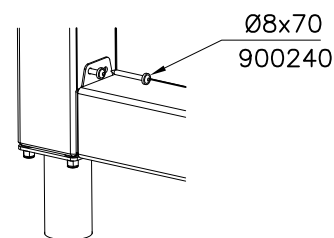
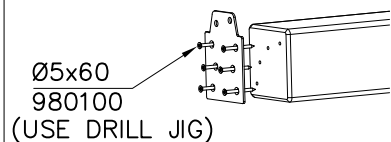


<p>17 908371 PCS 12</p>  <p>42-38/40</p>	<p>18 908698 PCS 16</p>  <p>3x114x108</p>	<p>33 980114 PCS 4</p>  <p>Ø4x20</p>
<p>19 910056 PCS 6</p>  <p>140x690</p>	<p>20 910266 PCS 12</p>  <p>90x108x118</p>	<p>34 905086 PCS 3</p>  <p>Ø44/13.5x3.9</p>
<p>21 910328 PCS 1</p>  <p>L 1466</p>	<p>22 980100 PCS 96</p>  <p>Ø5x60</p>	<p>35 909248 PCS 1</p>  <p>M12</p>
<p>23 980123 PCS 129</p>  <p>Ø7x60</p>	<p>24 702286 PCS 1</p>  <p>65x65</p>	<p>36 909132 PCS 1</p>  <p>M12x280</p>
<p>25 911288 COLOR PCS 2</p>  <p>15x745x1465</p>	<p>26 911289 COLOR PCS 1</p>  <p>15x745x1897</p>	
<p>27 909225 PCS 1</p>  <p>Ø12x180</p>	<p>28 911297 MURAL PCS 1</p>  <p>12x745x2140</p>	
<p>29 911293 COLOR PCS 1</p>  <p>15x745x2145</p>	<p>30 911295 COLOR PCS 1</p>  <p>15x745x2004</p>	
<p>31 911301 COLOR PCS 1</p>  <p>15x745x1495</p>	<p>32 709261 PCS 8</p> 	

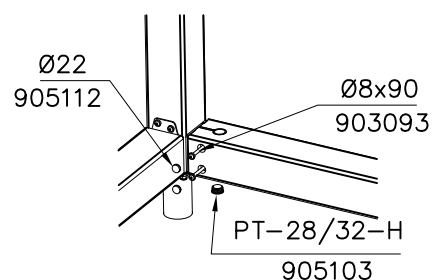
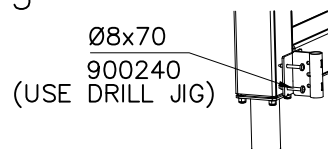
DET 1



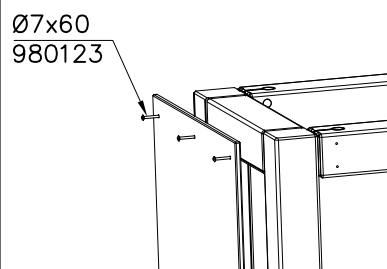
DET 2



DET 3

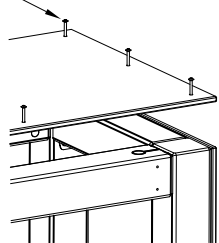


DET 4



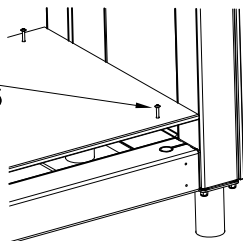
DET 5

Ø7x60  
980123



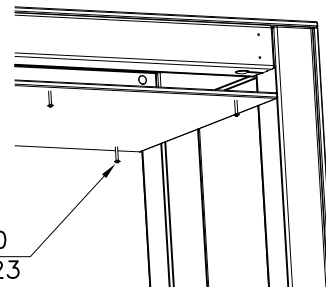
DET 6

Ø7x60  
980123



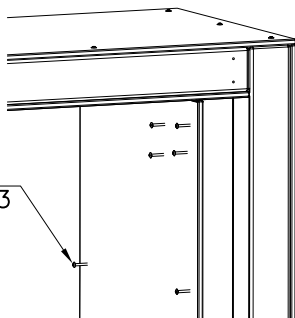
DET 7

Ø7x60  
980123



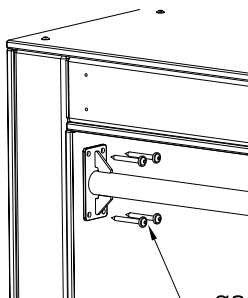
DET 8

Ø7x60  
980123



DET 9

Ø8x70  
900240

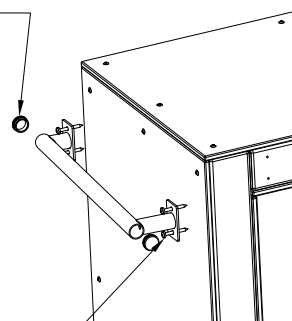


DET 10

42-38/40

908371

Ø8x70  
900240



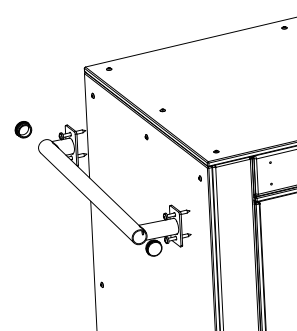
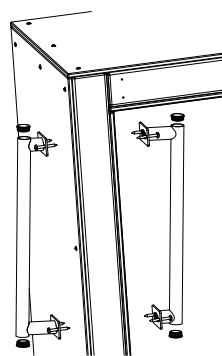
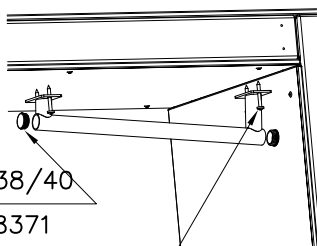
DET 11

DRILL PREHOLES BEFORE INSTALLING HANDLES

42-38/40

908371

Ø8x70  
900240

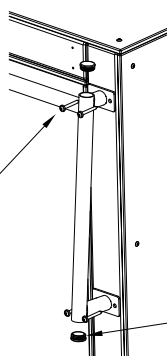


DET 12 DRILL PREHOLES BEFORE INSTALLING HANDLES

Ø8x70  
900240

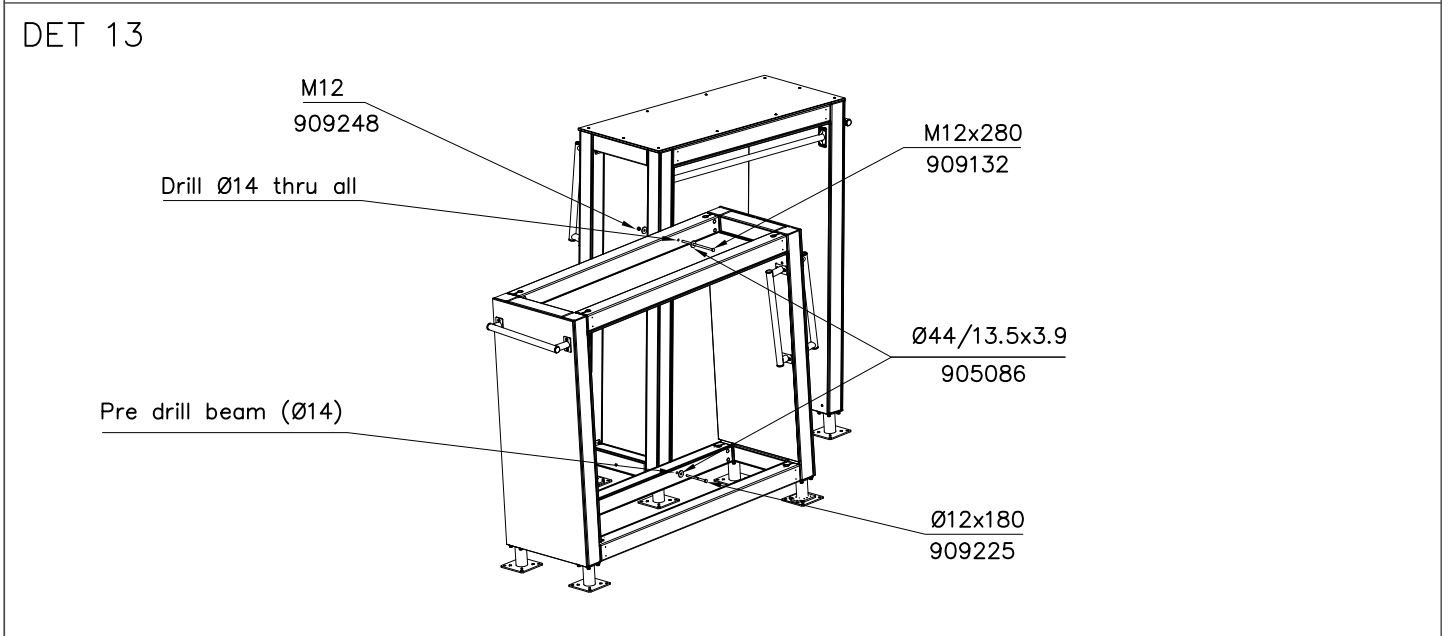
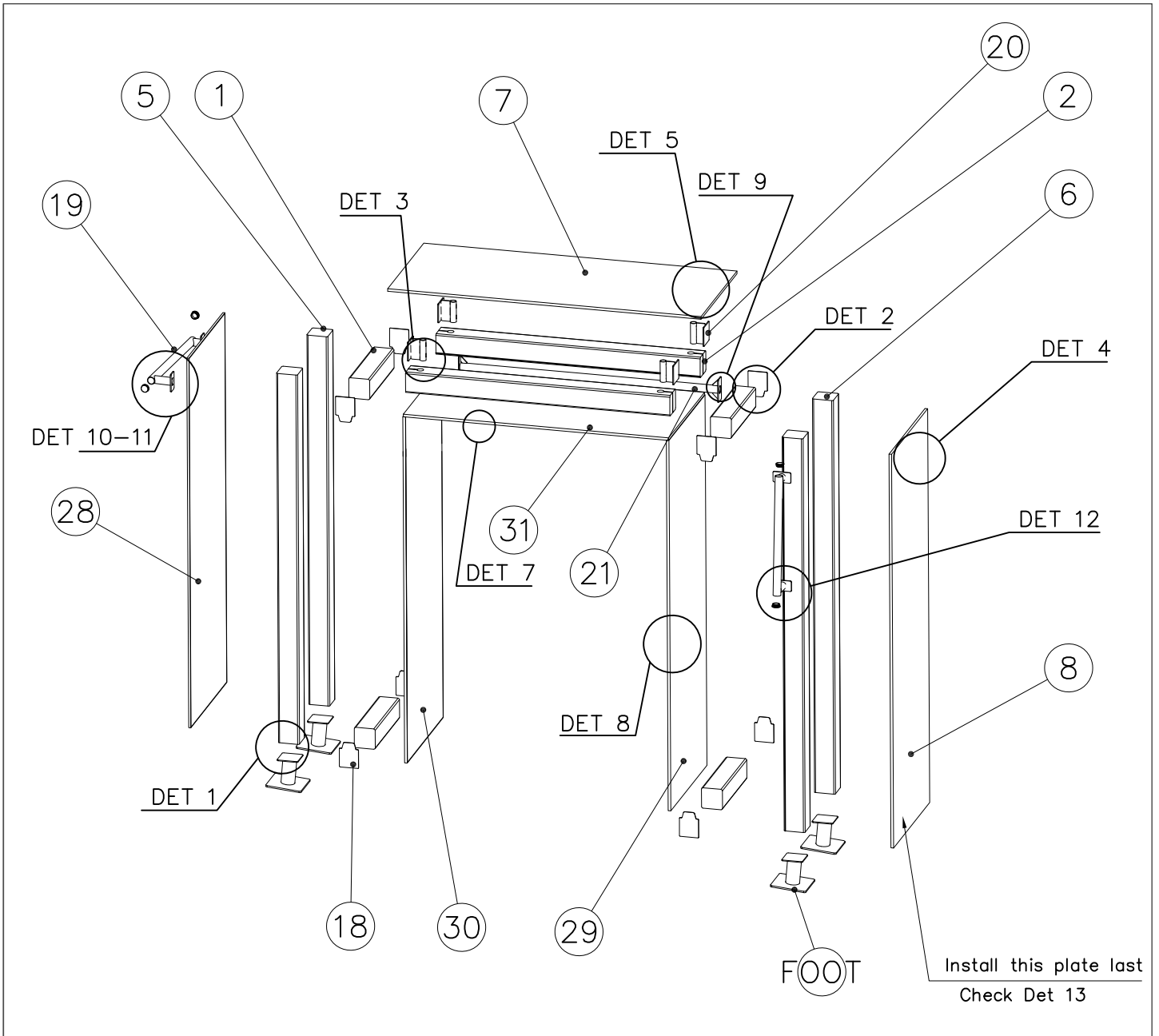
42-38/40

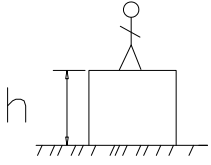
908371











$h < 1600$

Totally hard surfaces or materials with very limited impact attenuating properties.

Case by case risk assessment is needed including e.g. evaluation whether there is forced movement, what is the intended exercise and where will the product be installed.

Materials with significant impact attenuating properties.

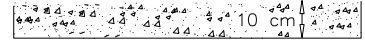
Totally hard surfaces.  
E.g. concrete or asphalt



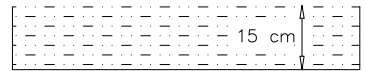
Materials with very limited impact attenuating properties.  
E.g. wood



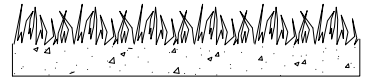
fine gravel 0–8 mm



Unsorted sand/ topsoil



Lawn

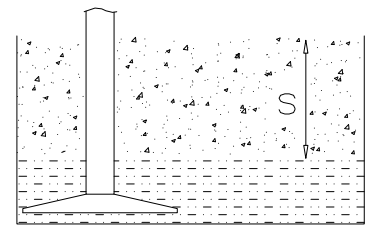


$h = 1600-$

$h < 3000$

Loose fill material

E.g.  
sand/gravel 0,25...8 mm  $D_{60}/D_{10} < 3,0$   
Woodchips 5...30 mm  
bark 20...80 mm



$\frac{S}{30 \text{ cm}}$        $\frac{h}{< 3,0 \text{ m}}$

Synthetic granulates

$\frac{S}{\text{mm}}$	$\frac{h}{\text{m}}$
40 mm	$\sim > 1,6... \sim < 1,8$ m
50 mm	$\sim > 1,8... \sim < 2,25$ m
55 mm	$\sim > 2,25... \sim < 2,4$ m
60 mm	$\sim > 2,4... \sim < 2,55$ m
70 mm	$\sim > 2,55... \sim < 3,0$ m

Note. For accurate values, see manufacturer's instructions.

