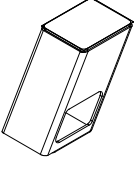

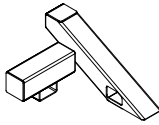

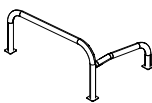

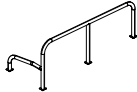

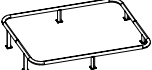

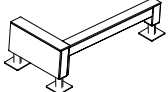

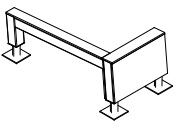

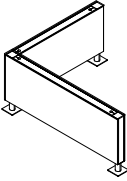

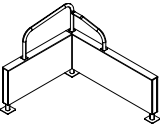

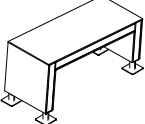

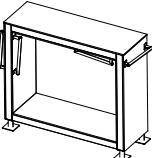

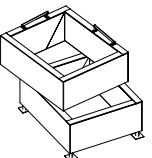

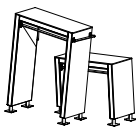



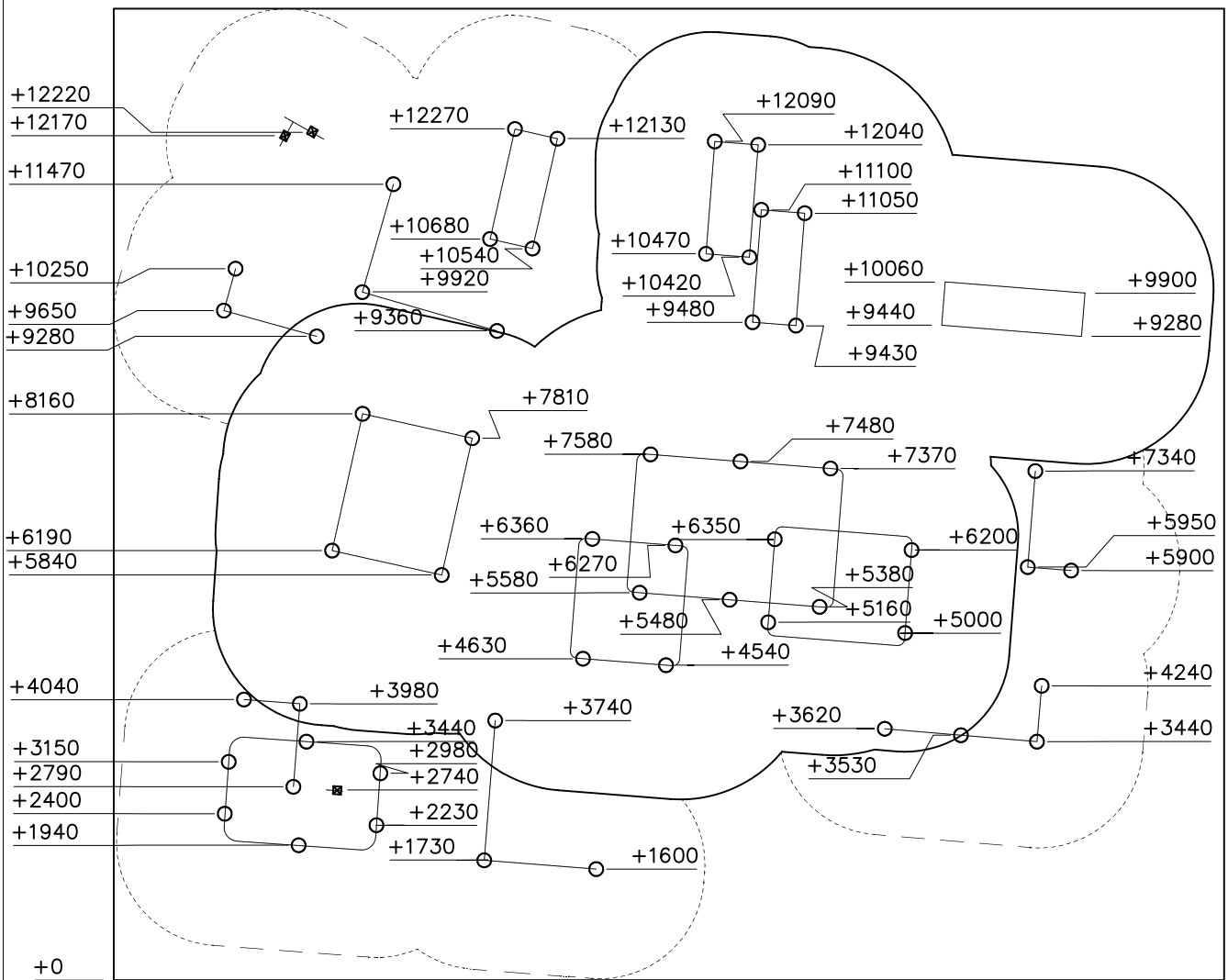
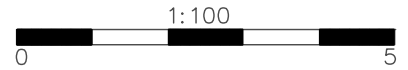
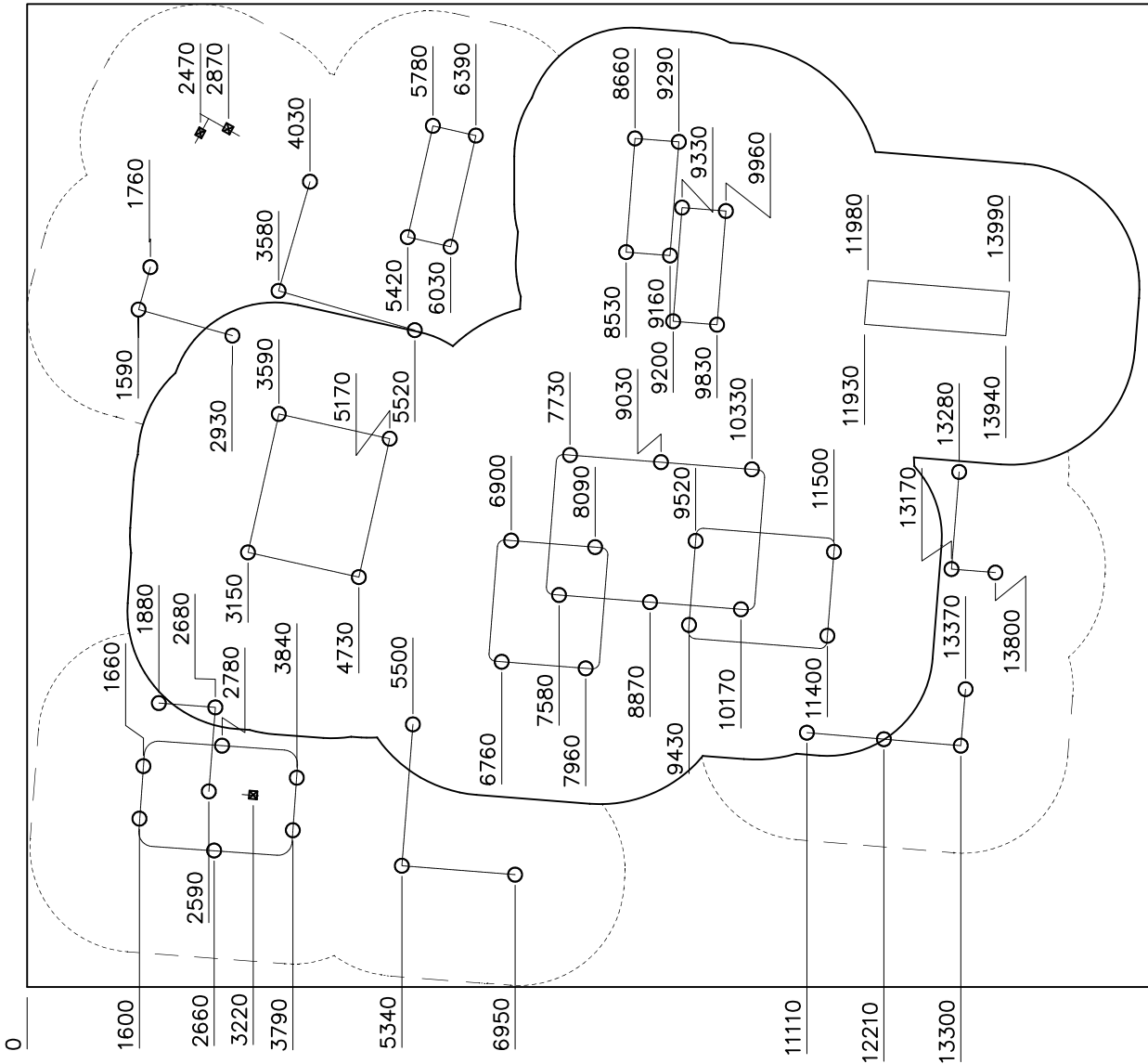
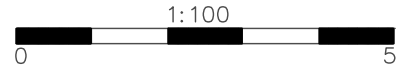


DATE: 24.2.2021

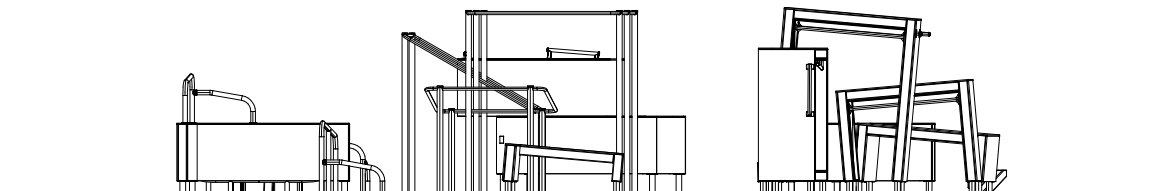
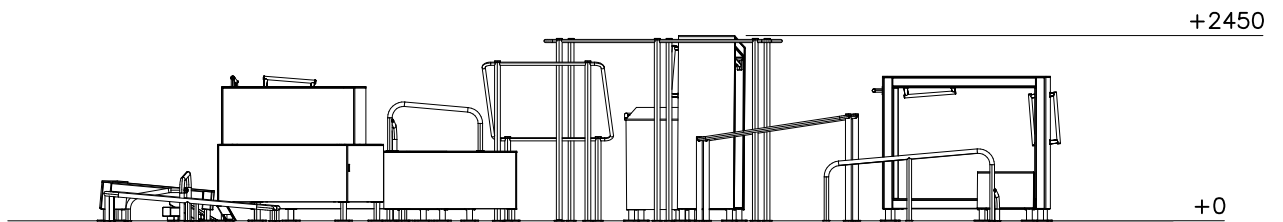
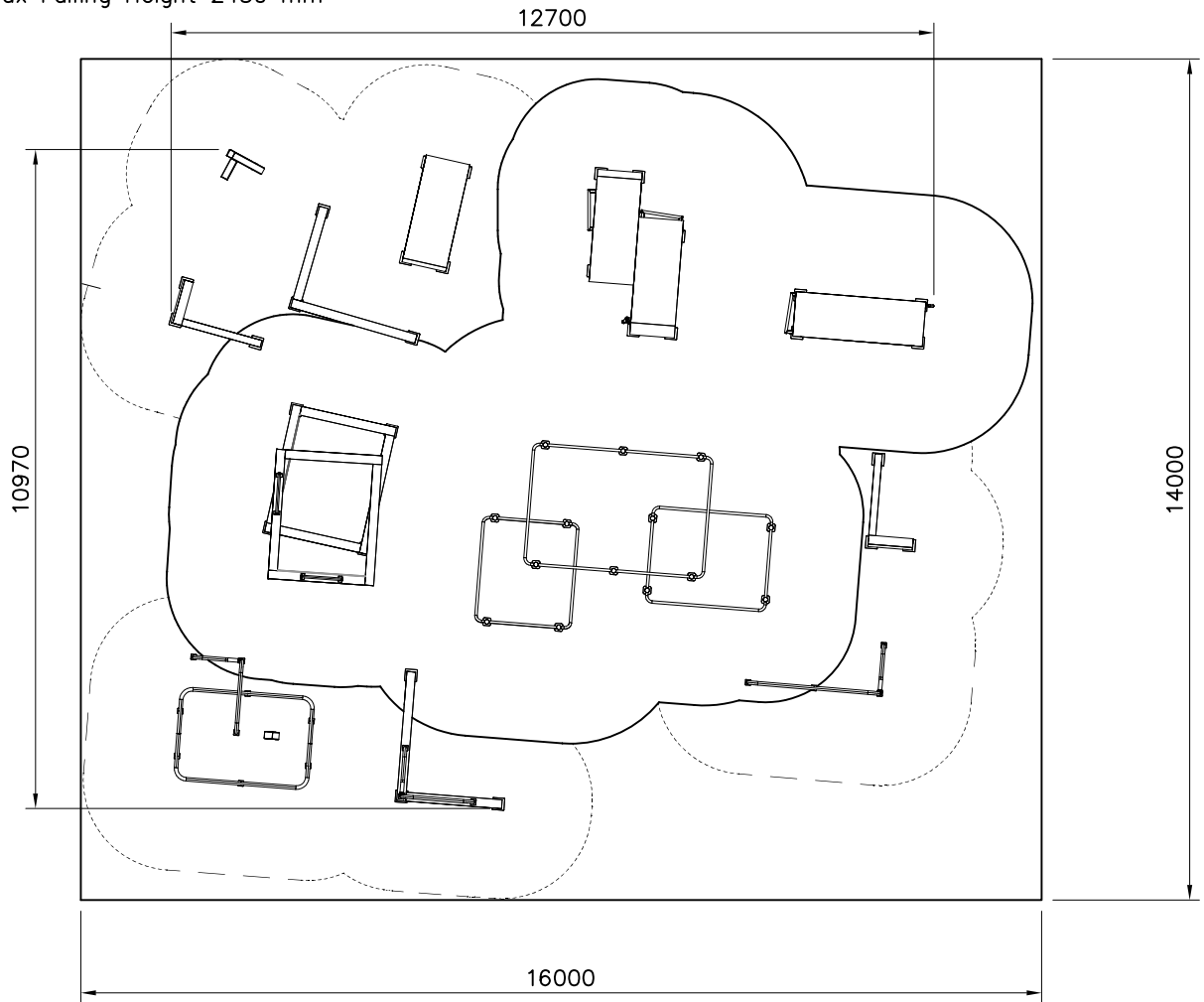
081700M  	PCS 1	081701M  	PCS 1	081711M  	PCS 1	081712M  	PCS 1	081713M  	PCS 1	081720M  	PCS 1
081721M  	PCS 1	081722M  	PCS 1	081726M  	PCS 1	081730M  	PCS 1	081733M  	PCS 1	081734M  	PCS 1
081737M  	PCS 1	081751M  	PCS 1		PCS		PCS		PCS		PCS
	PCS		PCS		PCS		PCS		PCS		PCS
	PCS		PCS		PCS		PCS		PCS		PCS
	PCS		PCS		PCS		PCS		PCS		PCS
	PCS		PCS		PCS		PCS		PCS		PCS

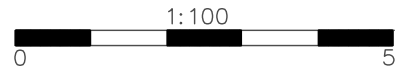




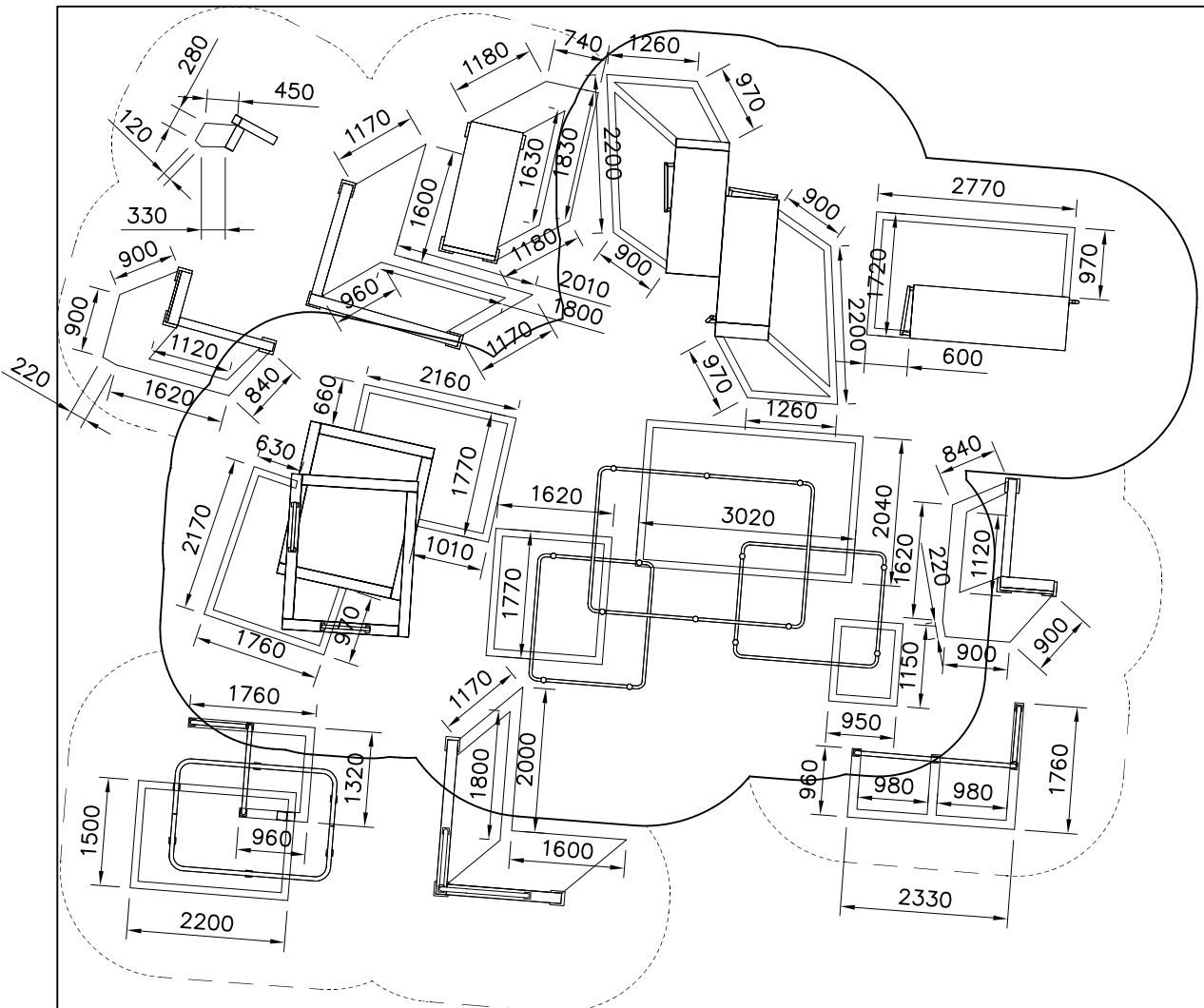
- EN Impact Attenuating Surface (IAS) 102.6 m²
- Falling Space 173.7 m²
- Max Falling Height 2450 mm

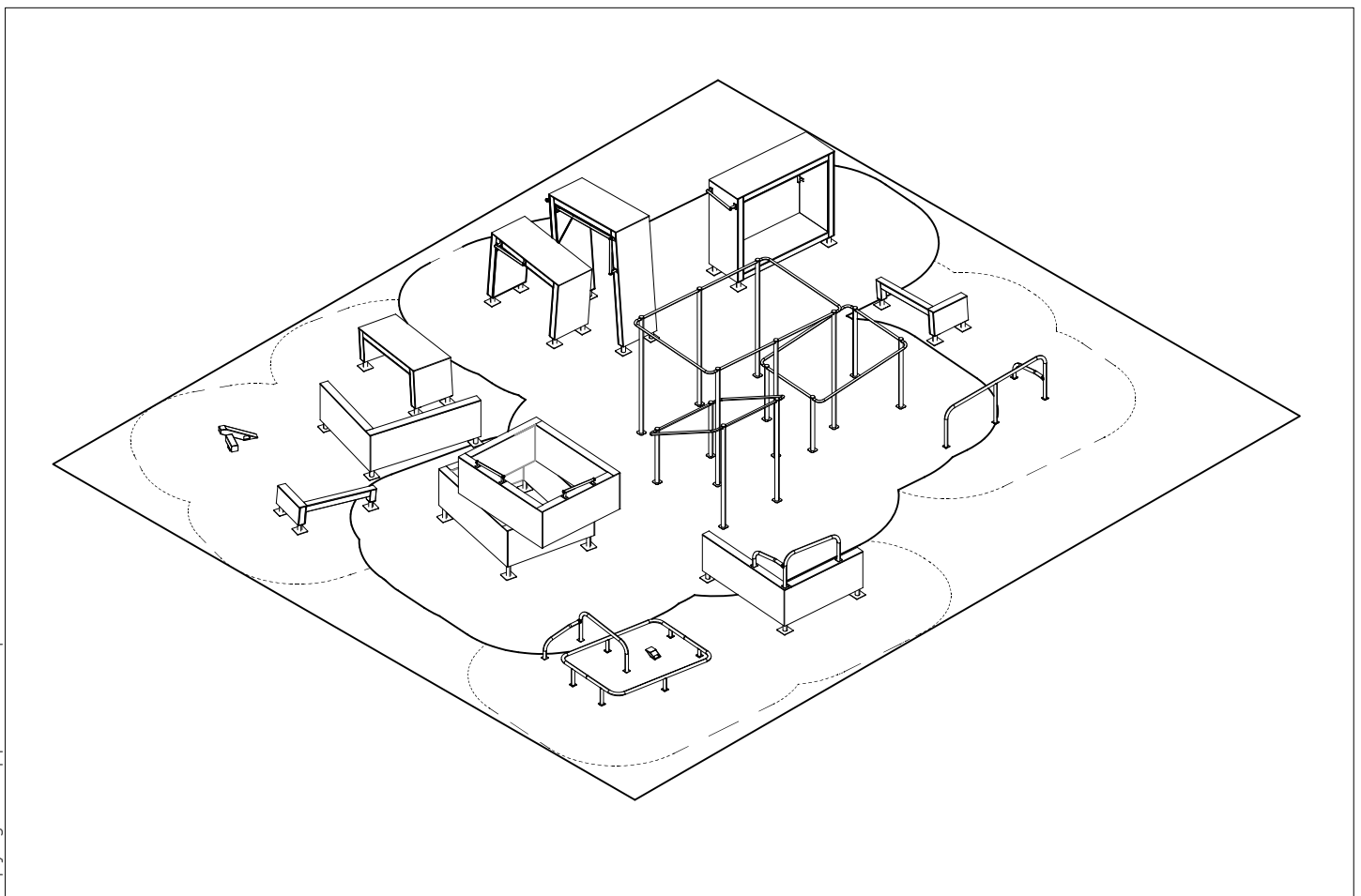
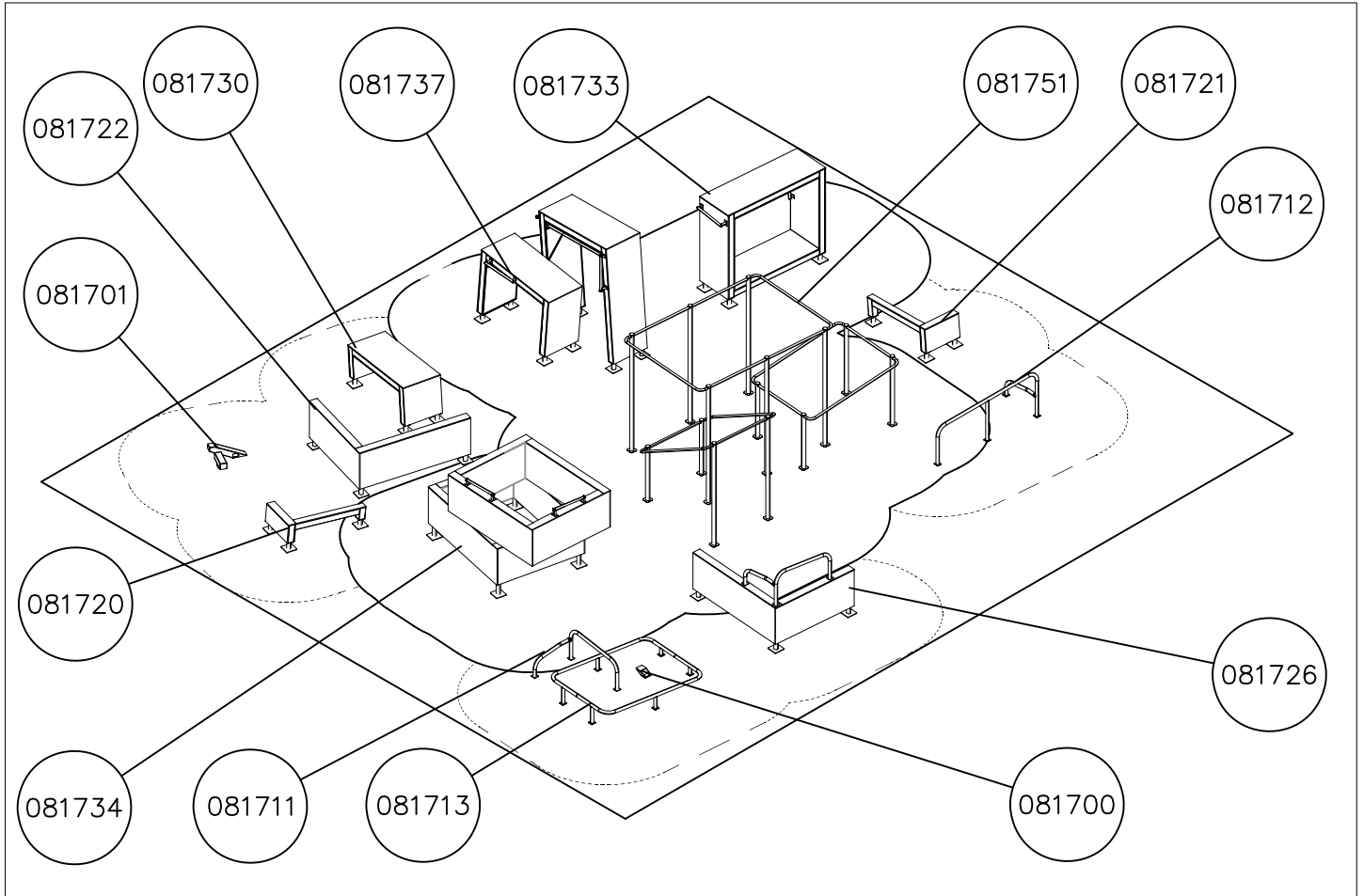
1:125

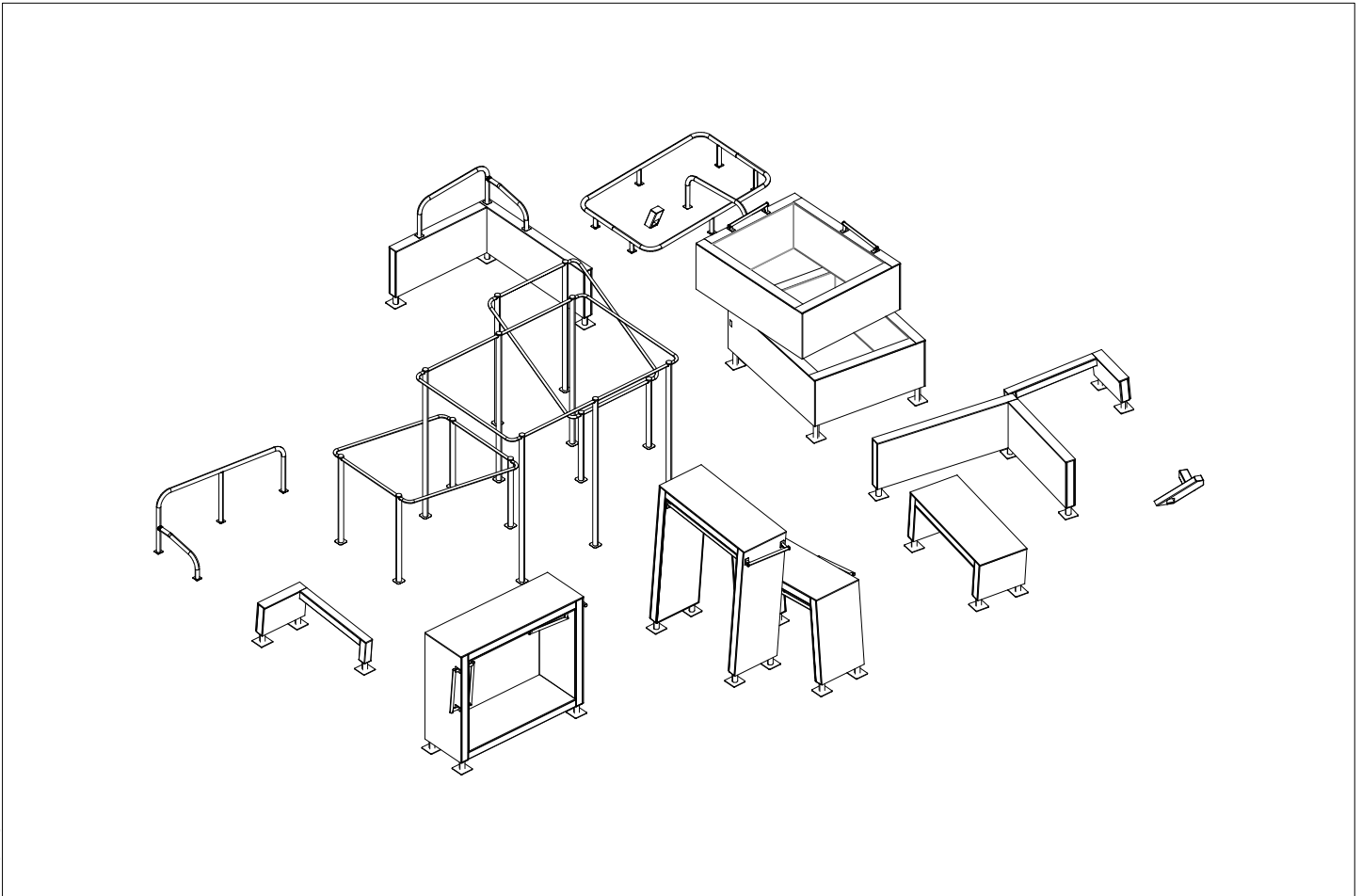
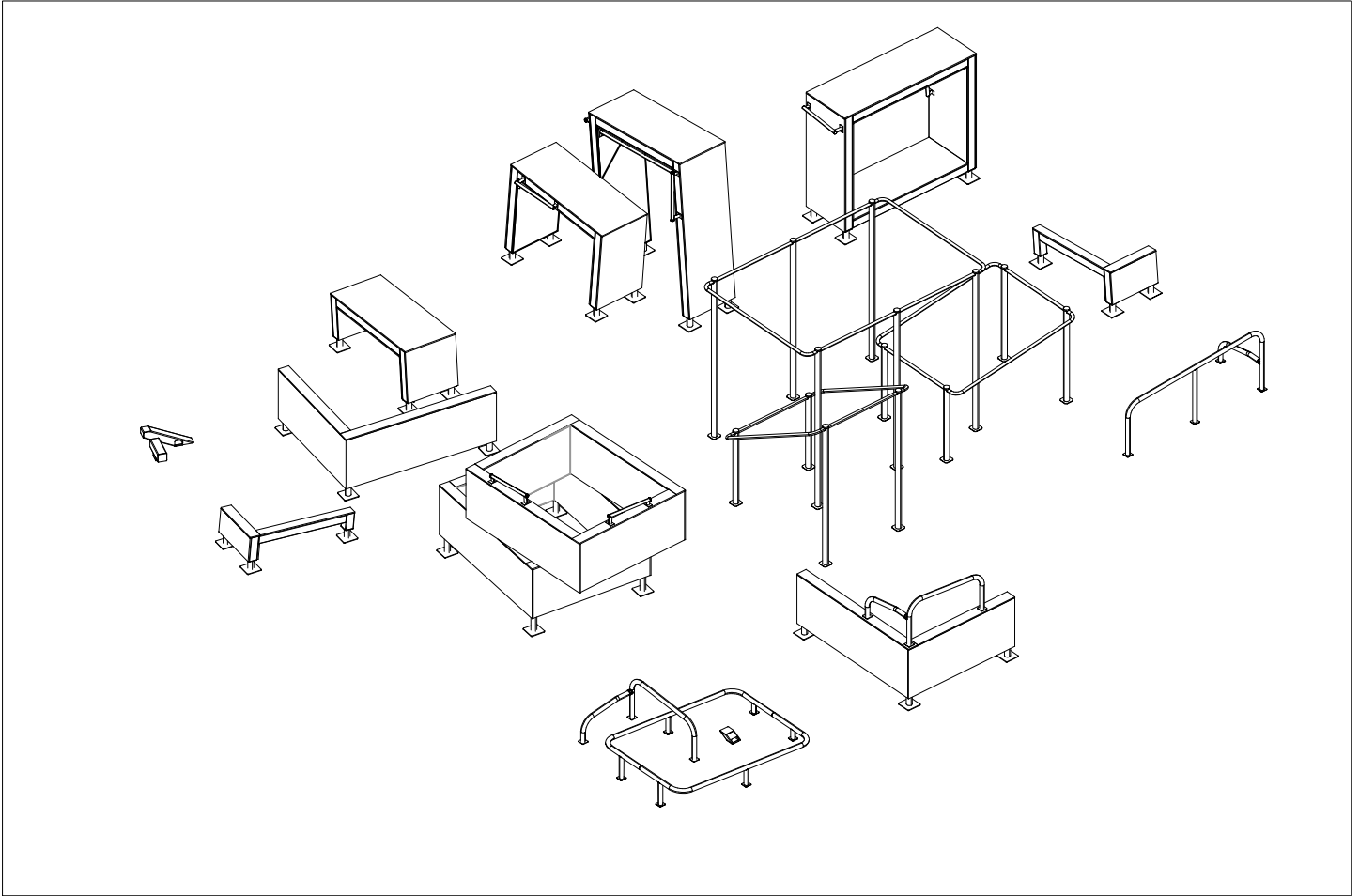


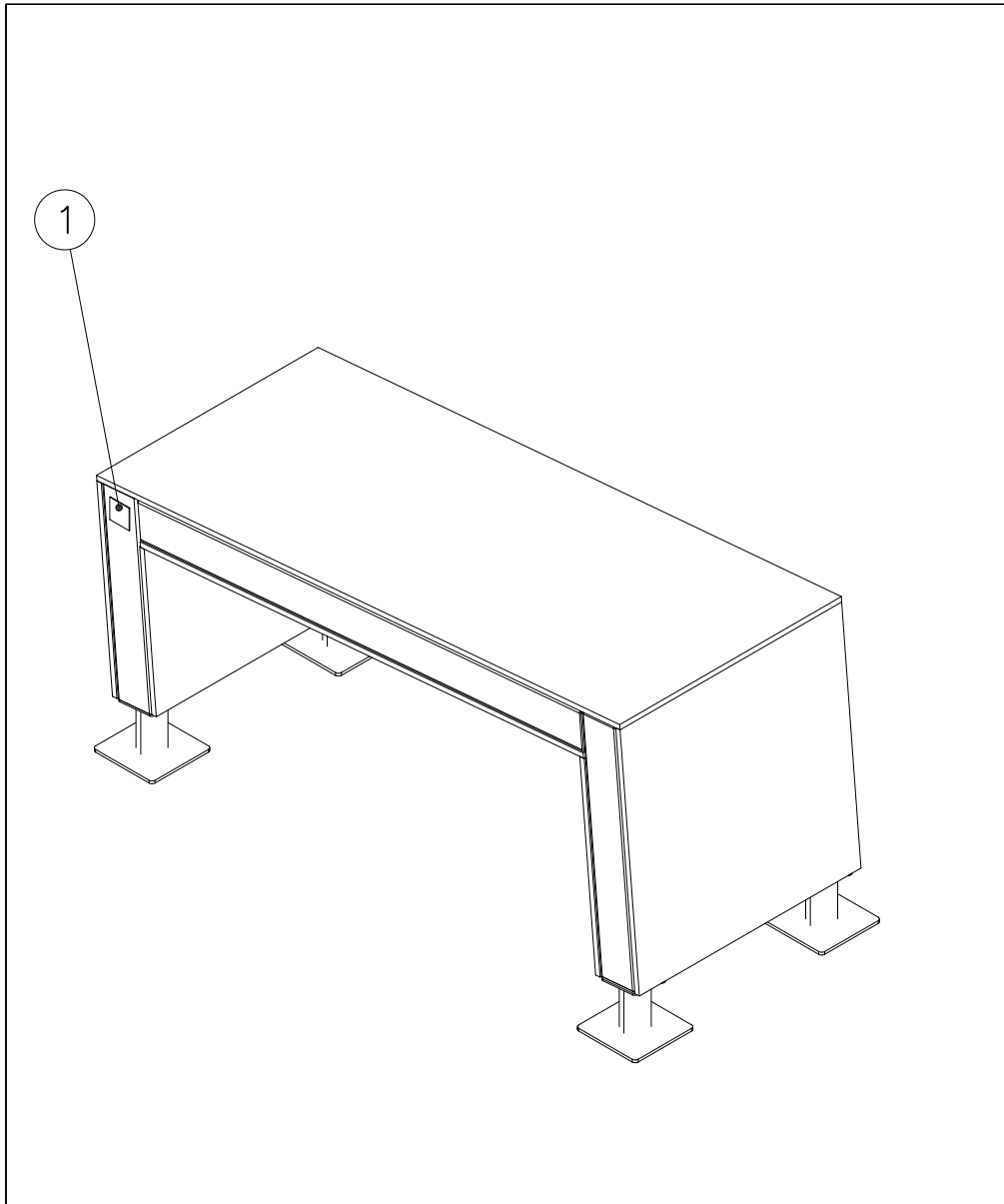



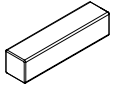

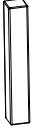

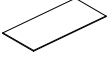
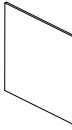

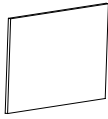
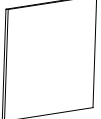
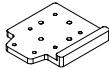

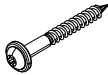

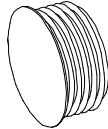
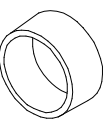
Groudmarks

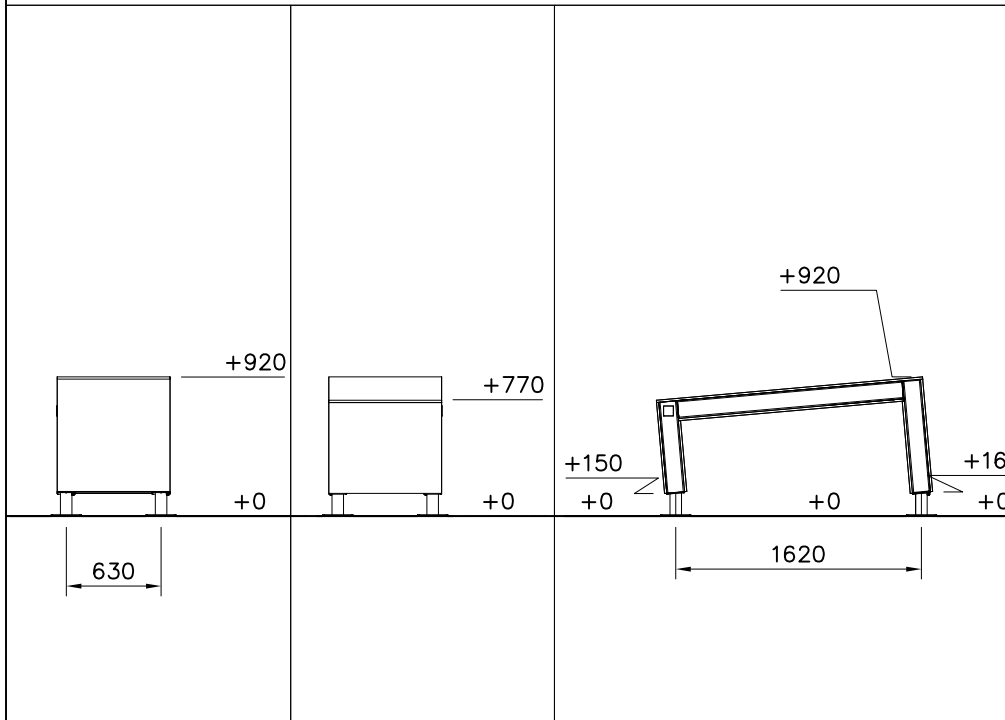


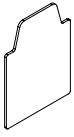
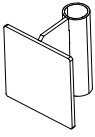









① 702286  65x65	PCS 1	② 707210  118x118x503	PCS 4
③ 707213  118x118x1490	PCS 2	④ 708127  118x118x603	PCS 2
⑤ 708137  118x118x745	PCS 2	⑥ 708721  15x745x1766	PCS 1
⑦ 708725  15x603x745	PCS 1	⑧ 708726  15x745x745	PCS 1
⑨ 708834  15x745x470	PCS 1	⑩ 708835  15x745x612	PCS 1
⑪ 708857 JIG  20x133x149	PCS 1	⑫ 709204  15x745x1495	PCS 1
⑬ 900240  Ø8x70	PCS 32	⑭ 903093  Ø8x90	PCS 8
⑮ 905103  PT-28/32-H	PCS 8	⑯ 905112  Ø22	PCS 8

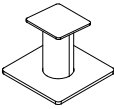
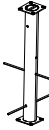


⑰ 908698	PCS	⑱ 910266	PCS	⑲ 980114	PCS	⑳ 980100	PCS	㉑ 980123	PCS		PCS		PCS
	8		4		4		48		38				
3x114x108		90x108x118		Ø4x20		Ø5x60		Ø7x60					
	PCS		PCS		PCS								

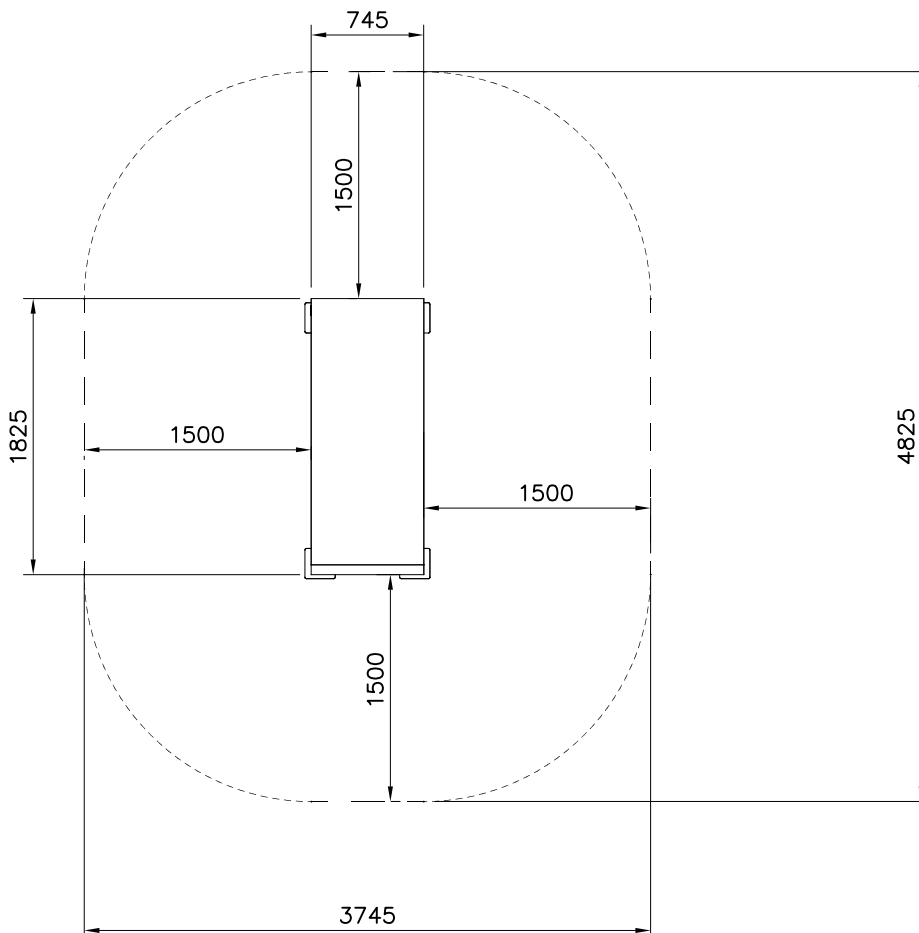
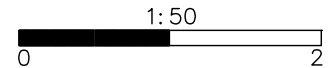
FOOT OPTIONS

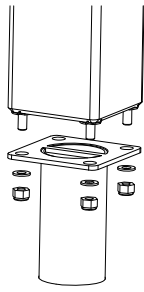
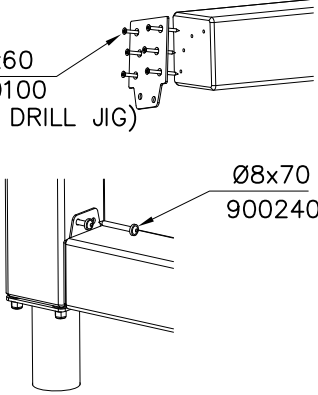
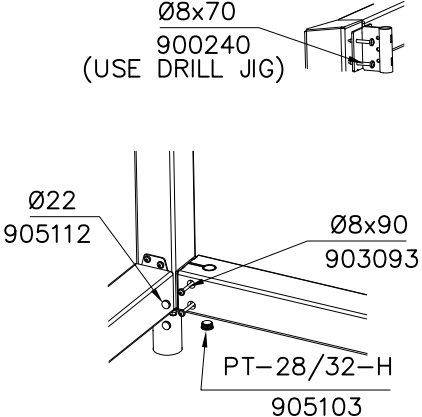
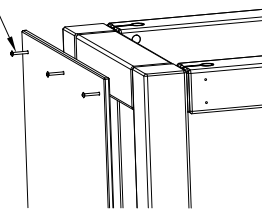
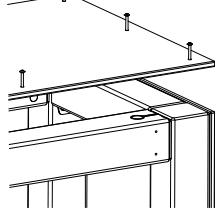
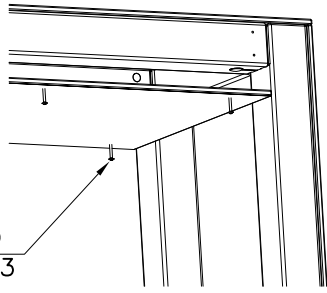
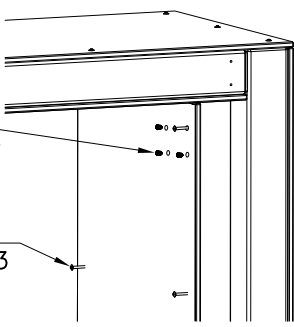
709261+

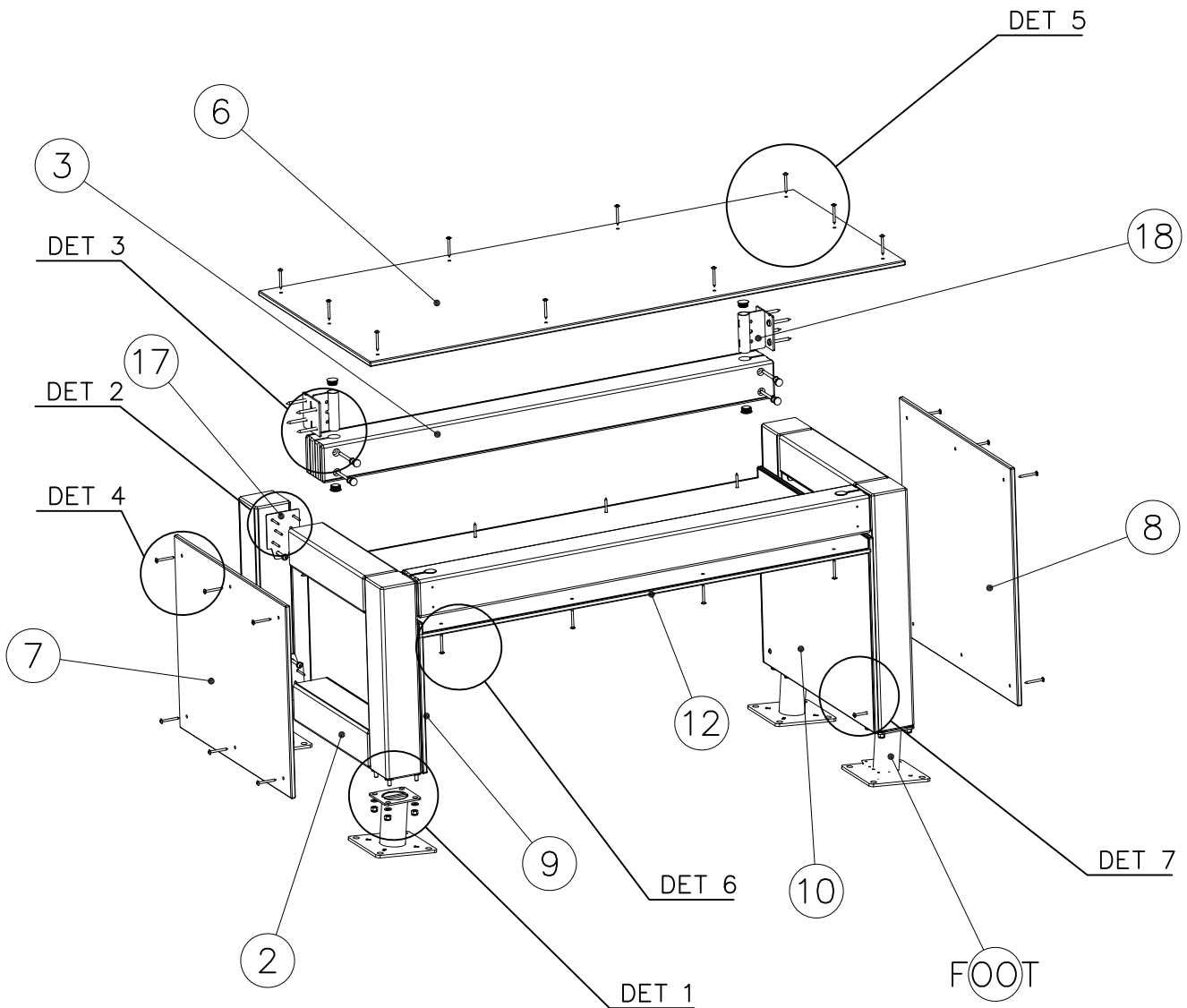
709262+

○ 910267	PCS	○ 910567	PCS
SURFACE	4	CONCRETE	4
			
152x200x200		117x117x715	

----- Falling Space 16.1 m²
Max Falling Height 920 mm



<p>DET 1</p> 	<p>DET 2</p>  <p>Ø5x60 980100 (USE DRILL JIG)</p> <p>Ø8x70 900240</p>	<p>DET 3</p>  <p>Ø8x70 900240 (USE DRILL JIG)</p> <p>Ø22 905112</p> <p>Ø8x90 903093</p> <p>PT-28/32-H 905103</p>
<p>DET 4</p>  <p>Ø7x60 980123</p>	<p>DET 5</p>  <p>Ø7x60 980123</p>	<p>DET 6</p>  <p>Ø7x60 980123</p>
<p>DET 7</p>  <p>SRL12 903533</p> <p>Ø7x60 980123</p>		



JIG DET A (USE DET 2-3)

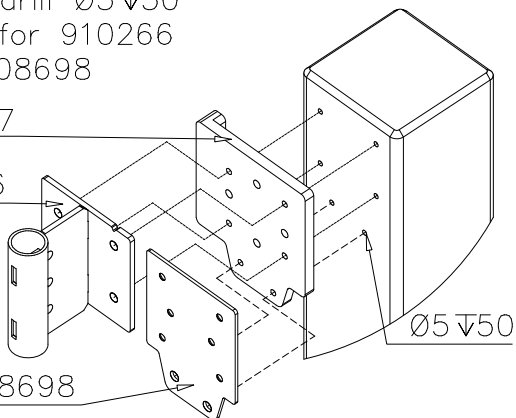
NOTE:

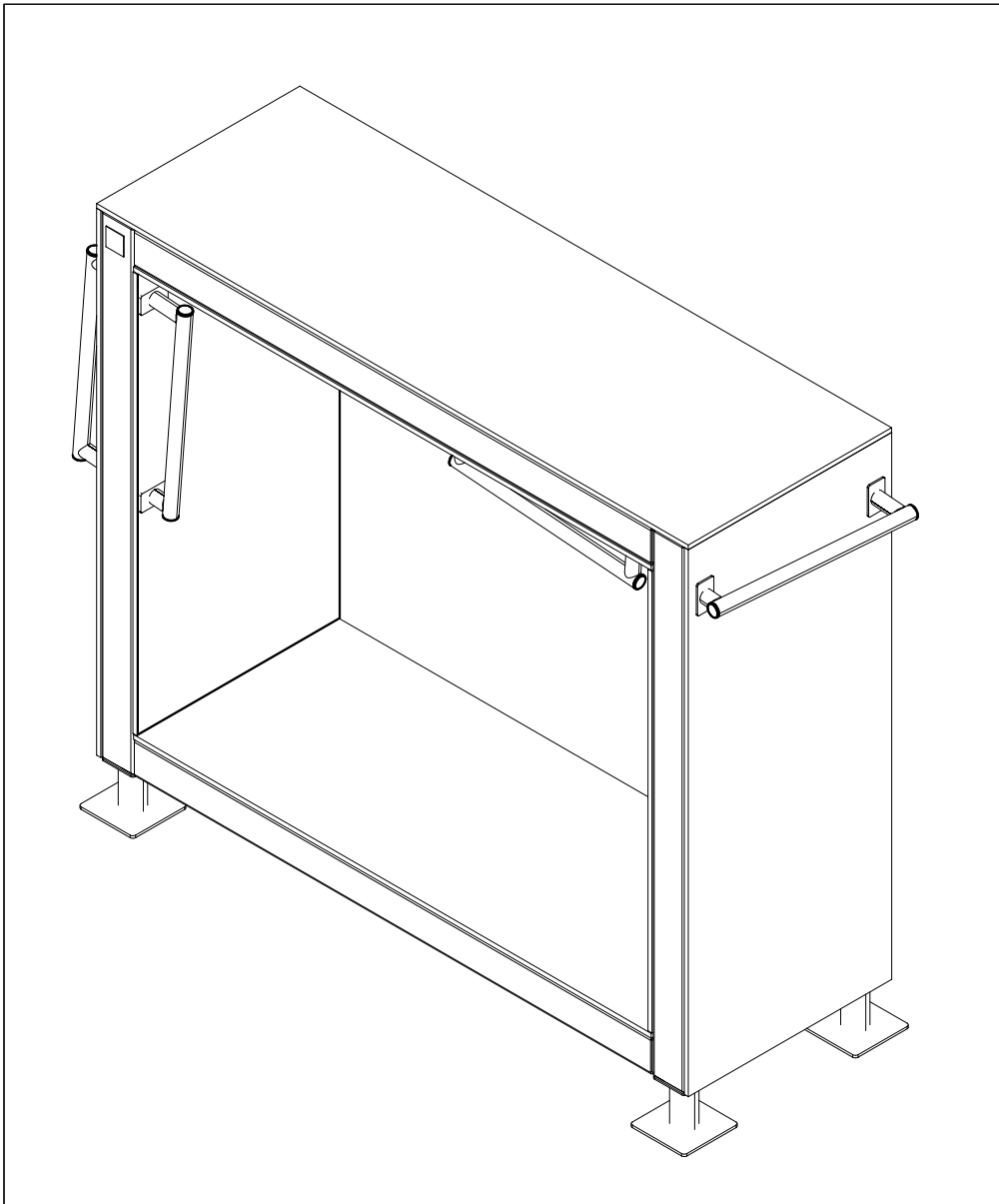
Use drill jig 708857 to predrill $\text{Ø}5 \nabla 50$ holes for 910266 and 908698

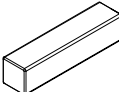
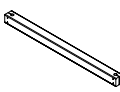

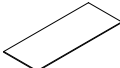
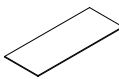
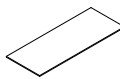
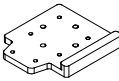
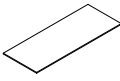
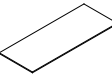






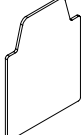
708857

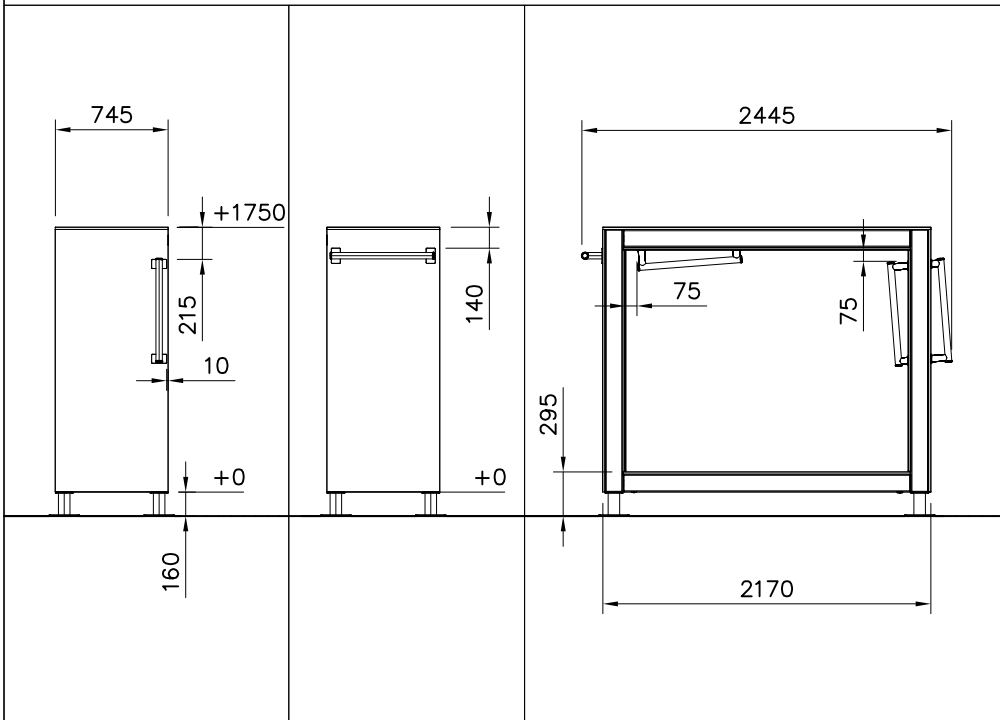
910266

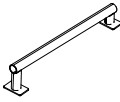
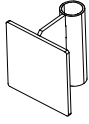


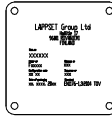
908698



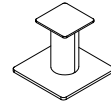



① 707210  118x118x503	PCS 4	② 707517  118x118x1892	PCS 4
③ 708346  118x118x1736	PCS 4	④ 708836  15x745x1736	PCS 2
⑤ 708837  15x745x2168	PCS 1	⑥ 708839  15x745x1897	PCS 1
⑦ 708857 JIG  20x133x149	PCS 1	⑧ 911288 COLOR  15x745x1465	PCS 2
⑨ 911289 COLOR  15x745x1897	PCS 1	⑩ 980114  Ø4x20	PCS 4
⑪ 900240  Ø8x70	PCS 64	⑫ 903093  Ø8x90	PCS 16
⑬ 905103  PT-28/32-H	PCS 8	⑭ 905112  Ø22	PCS 16
⑮ 908371  42-38/40	PCS 8	⑯ 908698  3x114x108	PCS 8

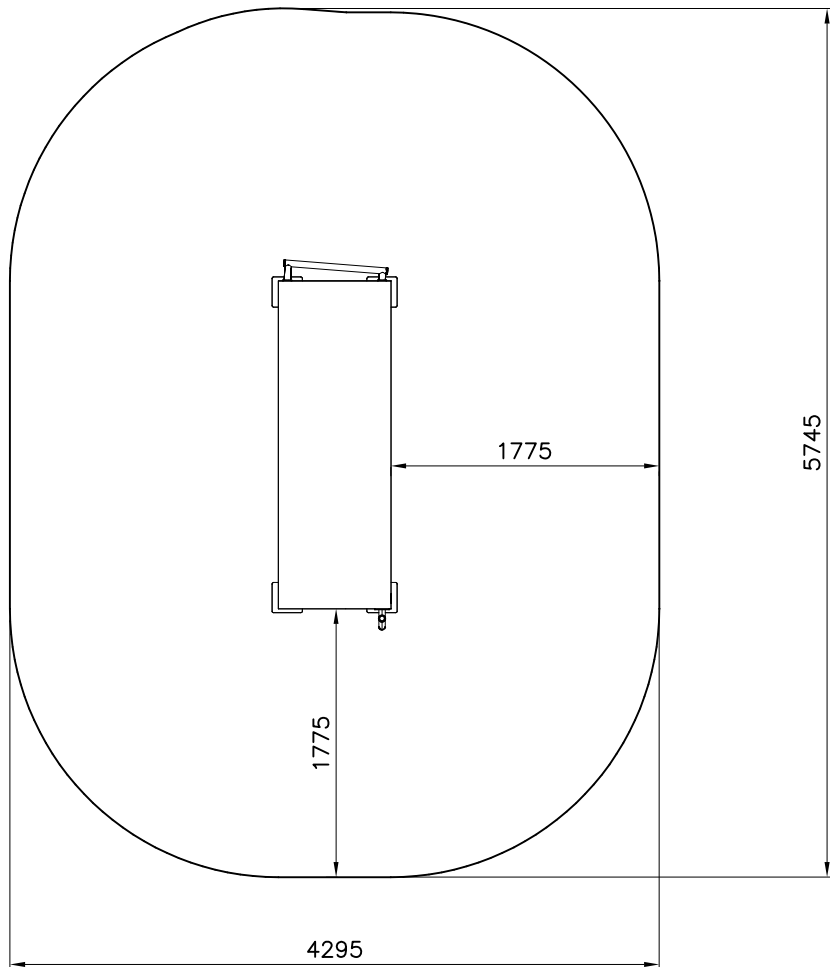
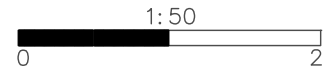


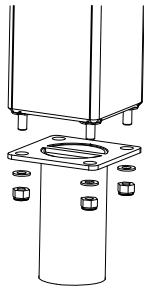
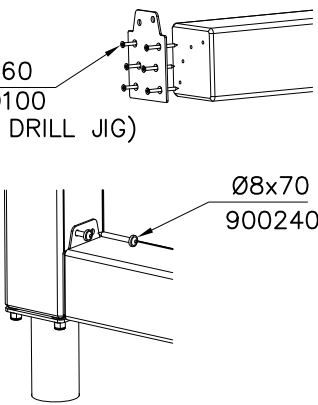
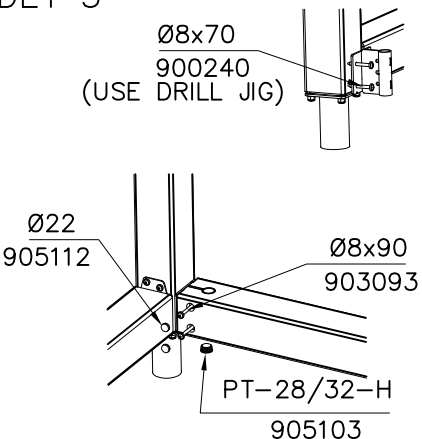
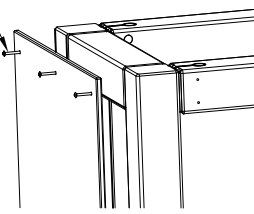
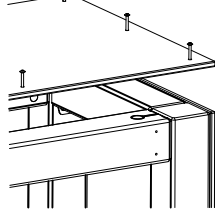
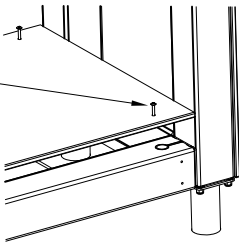
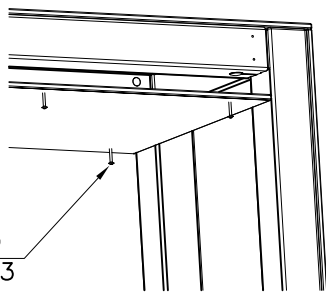
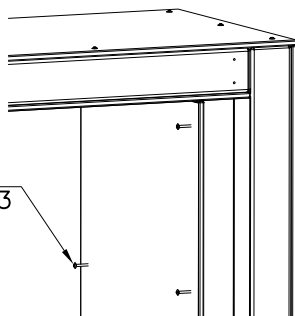
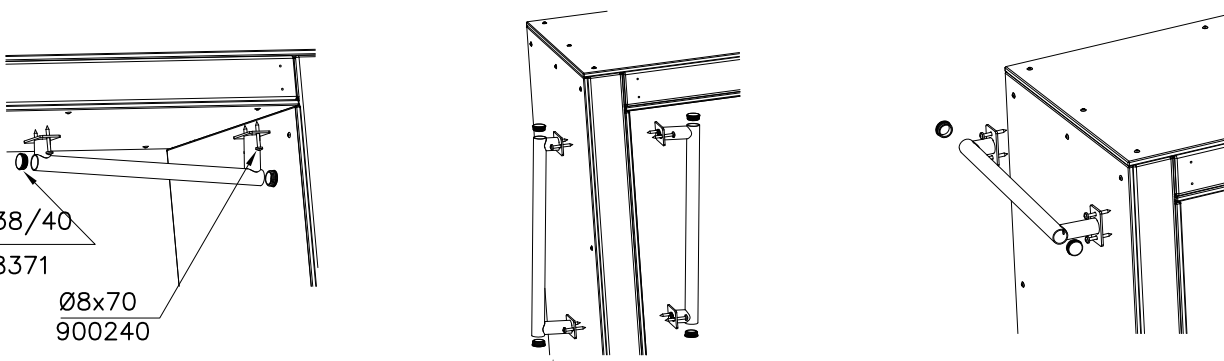
17	910056	PCS	18	910266	PCS	19	980100	PCS	20	980123	PCS	21	702286	PCS		PCS		PCS
		4			8			48			65			1				
	140x690			90x108x118			Ø5x60			Ø7x60			65x65					

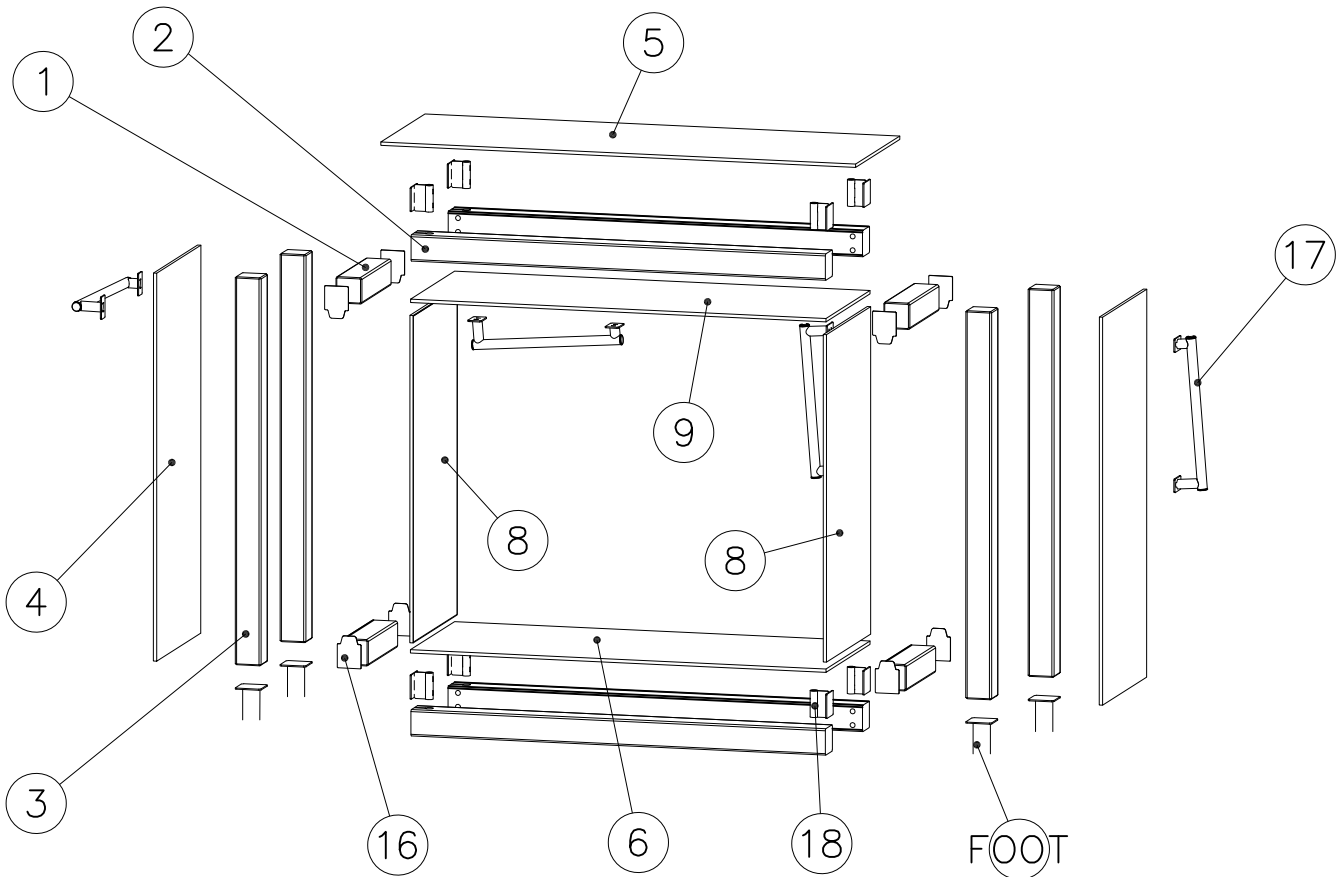
FOOT OPTIONS

709261+		709262+	
910330	PCS	910567	PCS
SURFACE	4	CONCRETE	4
			
152x200x200		117x117x715	

- EN Impact Attenuating Surface (IAS) 21.9 m²
- Falling Space 21.9 m²
Max Falling Height 1910 mm

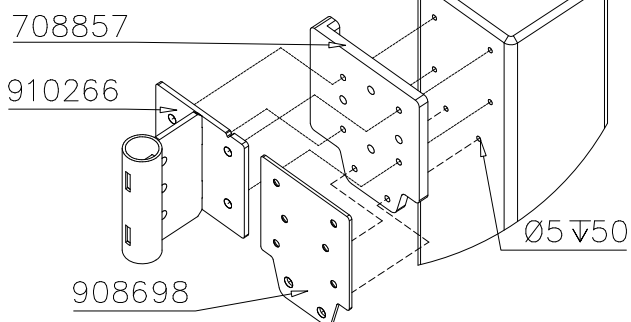


<p>DET 1</p> 	<p>DET 2</p>  <p>Ø5x60 980100 (USE DRILL JIG)</p> <p>Ø8x70 900240</p>	<p>DET 3</p>  <p>Ø8x70 900240 (USE DRILL JIG)</p> <p>Ø22 905112</p> <p>Ø8x90 903093</p> <p>PT-28/32-H 905103</p>
<p>DET 4</p>  <p>Ø7x60 980123</p>	<p>DET 5</p>  <p>Ø7x60 980123</p>	<p>DET 6</p>  <p>Ø7x60 980123</p>
<p>DET 7</p>  <p>Ø7x60 980123</p>	<p>DET 8</p>  <p>Ø7x60 980123</p>	
<p>DET 9 DRILL PREHOLES BEFORE INSTALLING HANDLES</p>  <p>42-38/40 908371</p> <p>Ø8x70 900240</p>		

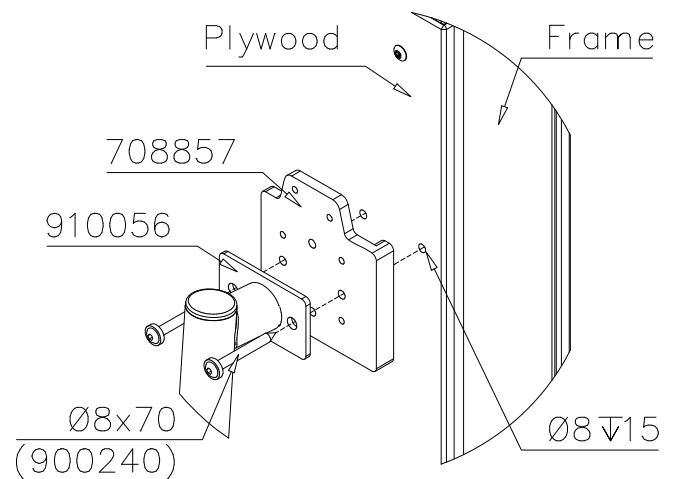


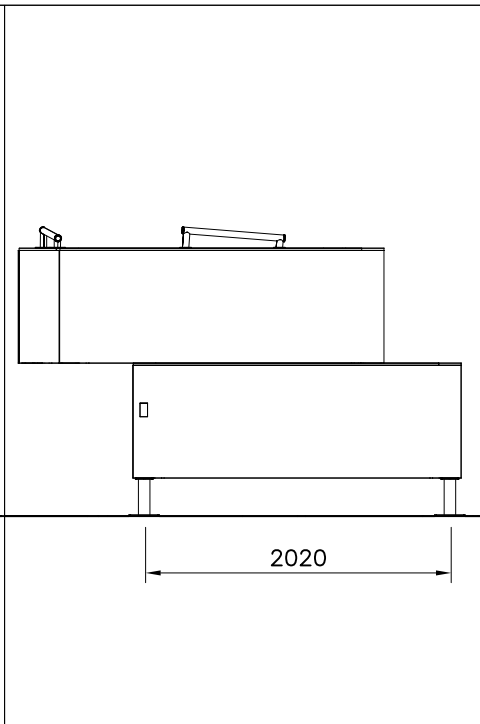
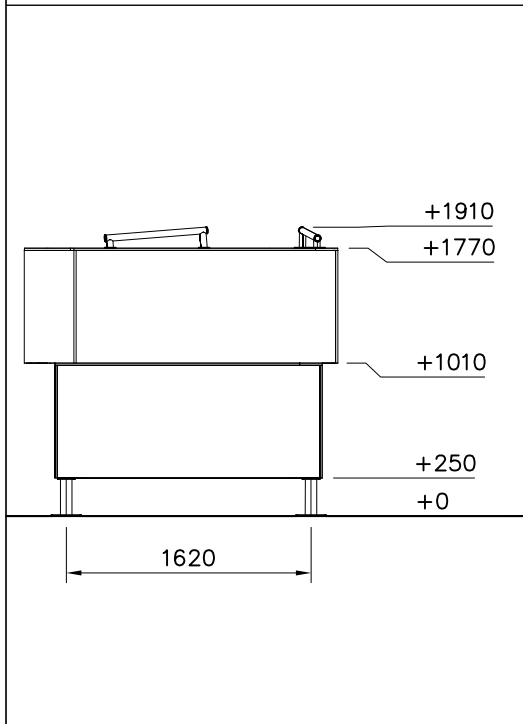
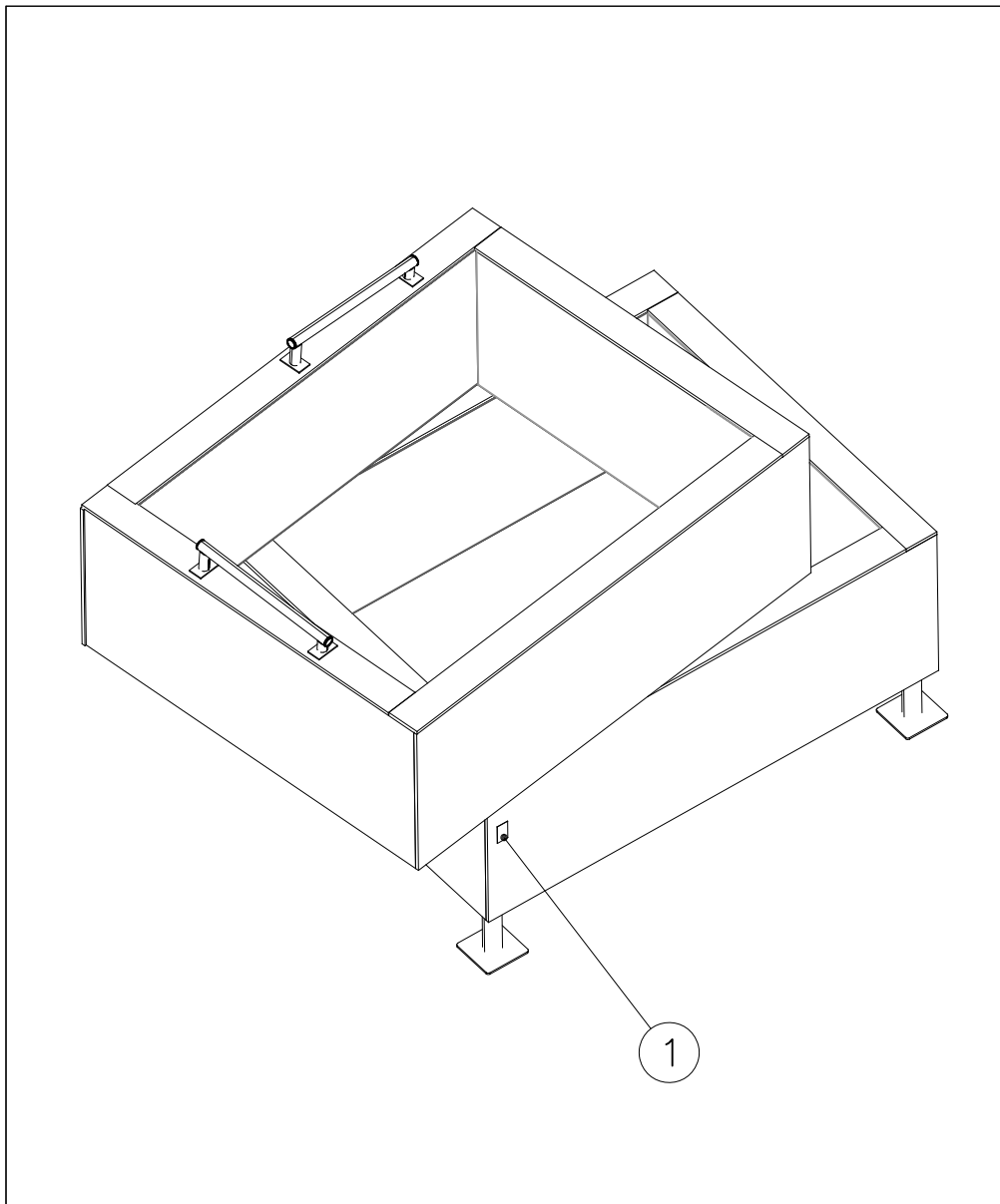
JIG DET A (USE DET 2-3)

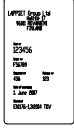

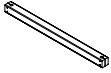






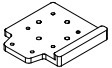

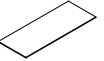
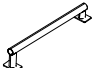



NOTE:
Use drill jig 708857
to predrill $\text{Ø}5 \nabla 50$
holes for 910266
and 908698

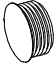

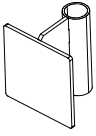









JIG DET B (USE DET 9)

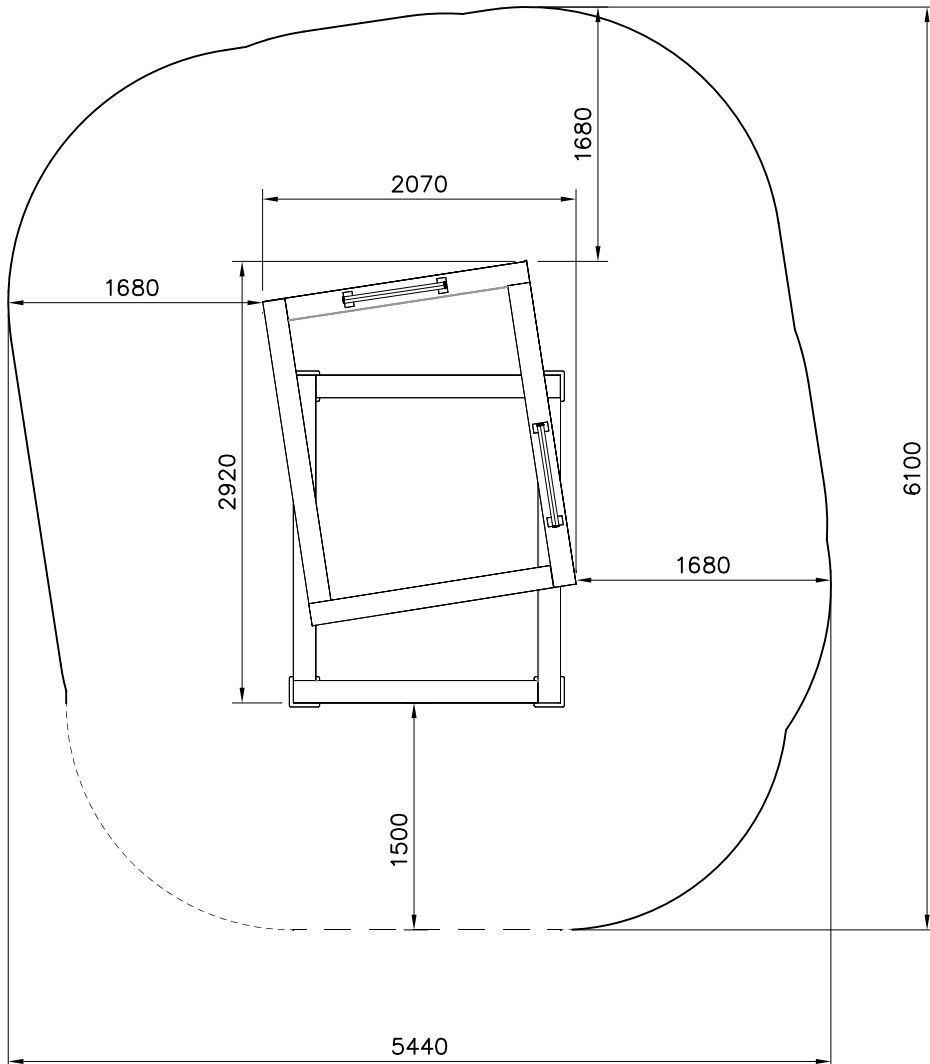
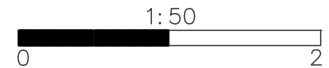




① 702341  90x50	PCS 1	② 707213  118x118x1490	PCS 8
③ 707517  118x118x1892	PCS 8	④ 708137  118x118x745	PCS 4
⑤ 708836  15x745x1736	PCS 4	⑥ 708837  15x745x2168	PCS 4
⑦ 708839  15x745x1897	PCS 2	⑧ 708840  15x148x2018	PCS 4
⑨ 708841  15x148x1616	PCS 4	⑩ 708857 JIG  20x133x149	PCS 1
⑪ 911288 COLOR  15x745x1465	PCS 4	⑫ 911289 COLOR  15x745x1897	PCS 2
⑬ 910056  140x690	PCS 2	⑭ 980123  Ø7x60	PCS 216
⑮ 900240  Ø8x70	PCS 128	⑯ 903093  Ø8x90	PCS 72

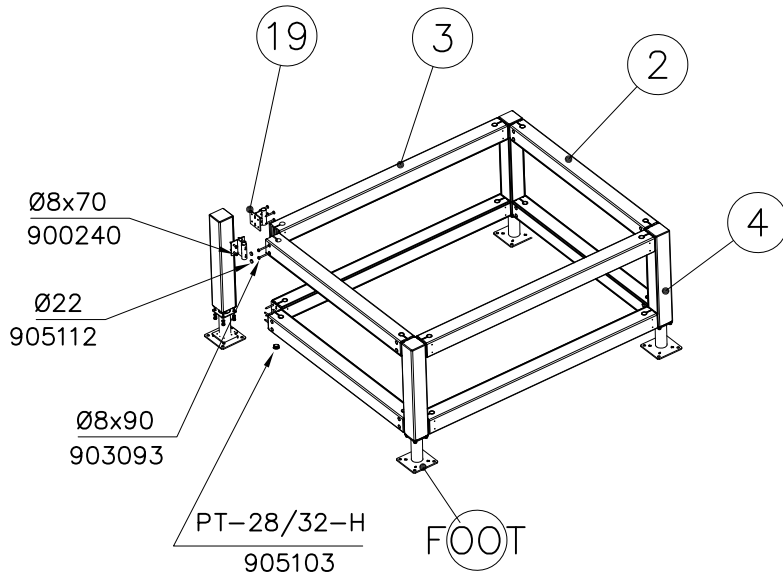
17 905103  PT-28/32-H PCS 24	18 905112  Ø22 PCS 64	19 910266  90x108x118 PCS 32	20 709110  118x118x745 PCS 4	21 905086  Ø44/13.5 x 3.9 PCS 8	22 908371  42-38/40 PCS 4
23 909132  M12x280 PCS 4	24 909248  M12 PCS 4	FOOT OPTIONS 710175+ 710176+			
		911817 SURFACE  250x200x200 PCS 4		911820 CONCRETE  803x117x117 PCS 4	

— EN Impact Attenuating Surface (IAS) 28.1 m²
 - - - Falling Space 28.1 m²
 Max Falling Height 1910 mm

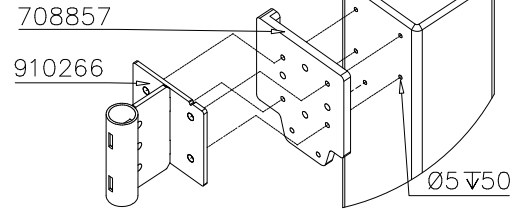


DET 1

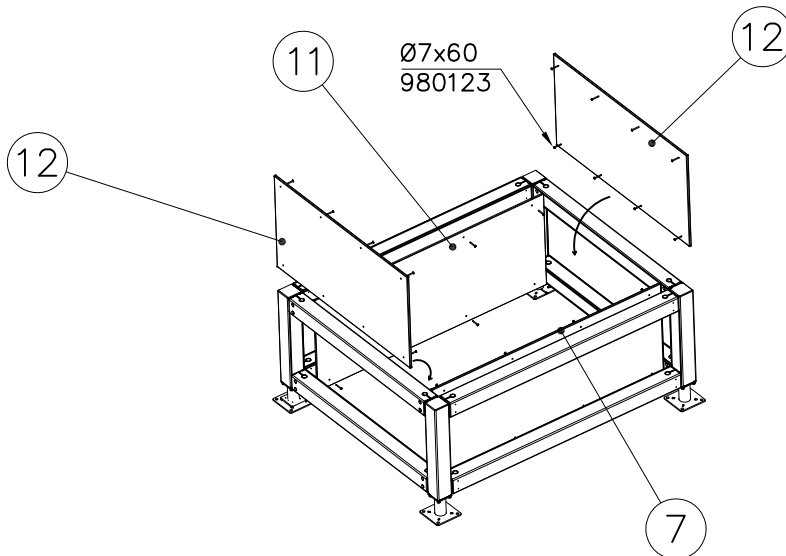
FIRST FLOOR



NOTE:
Use drill jig 708857
to predrill $\text{Ø}5\sqrt{50}$
holes for 910266

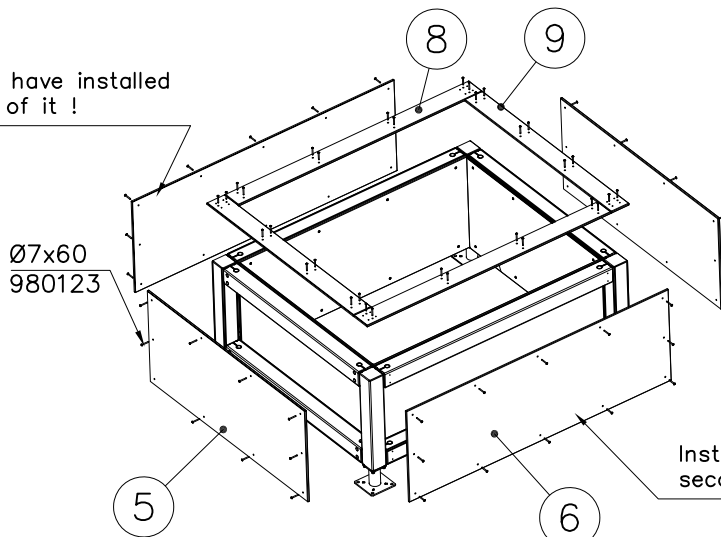


DET 2



DET 3

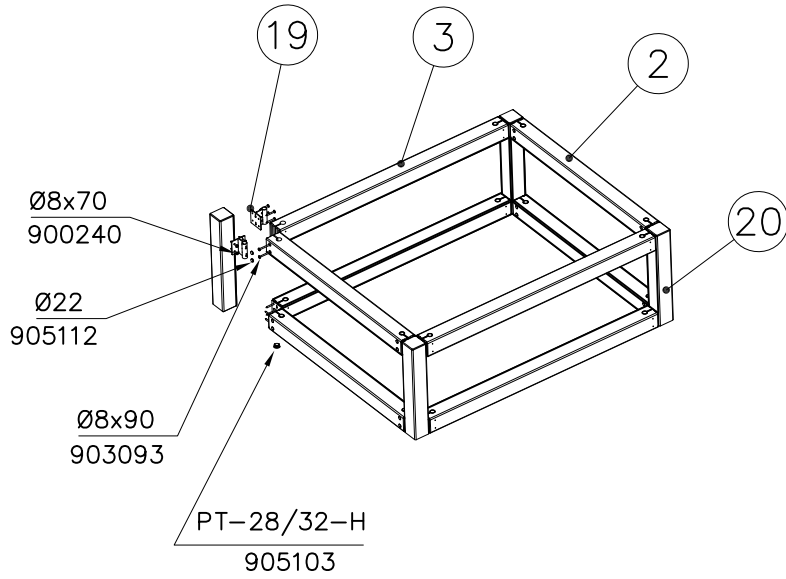
Install this once you have installed
second floor on top of it !



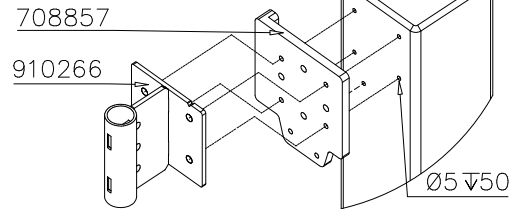
Install this once you have installed
second floor on top of it !

DET 4

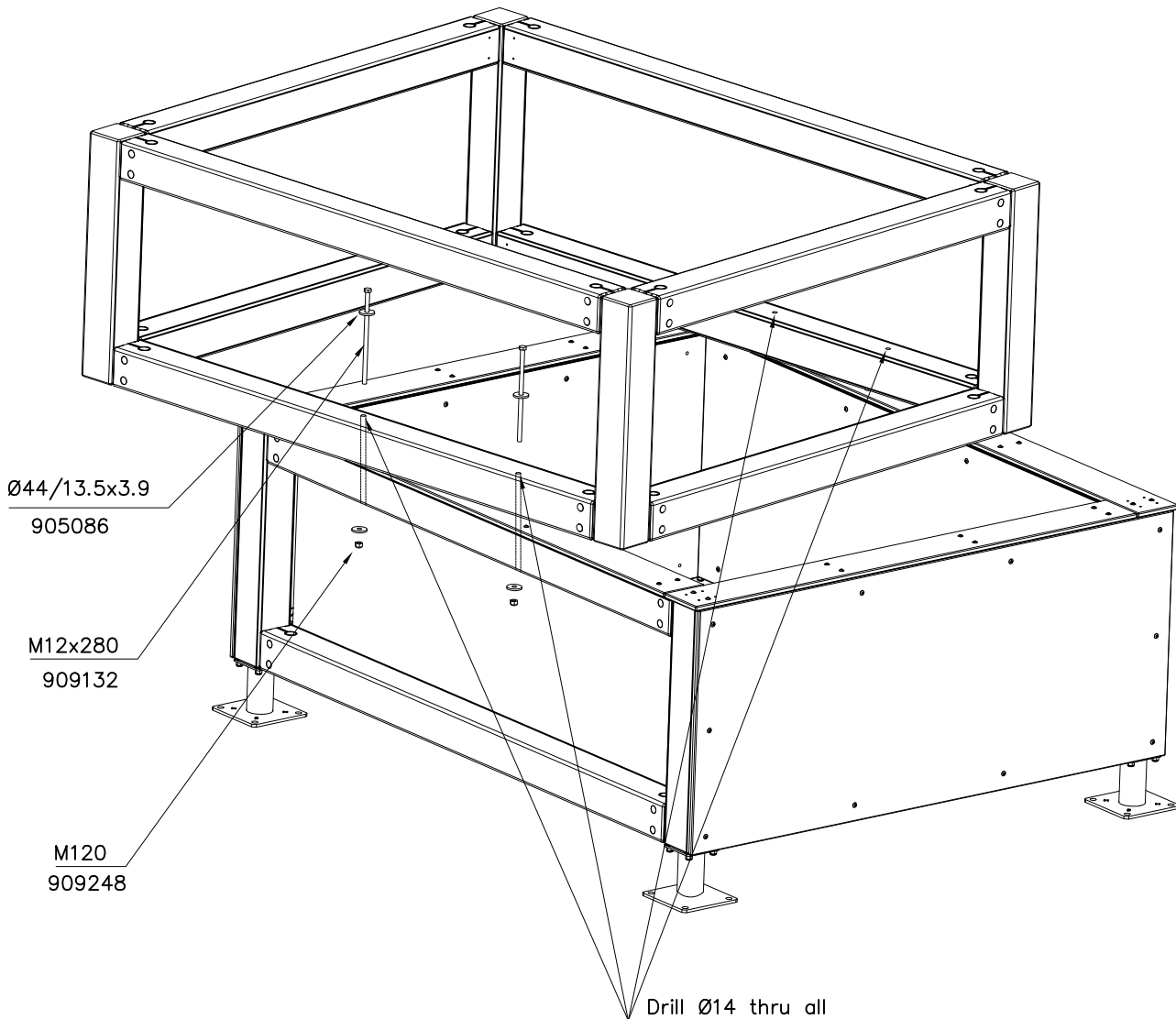
SECOND FLOOR



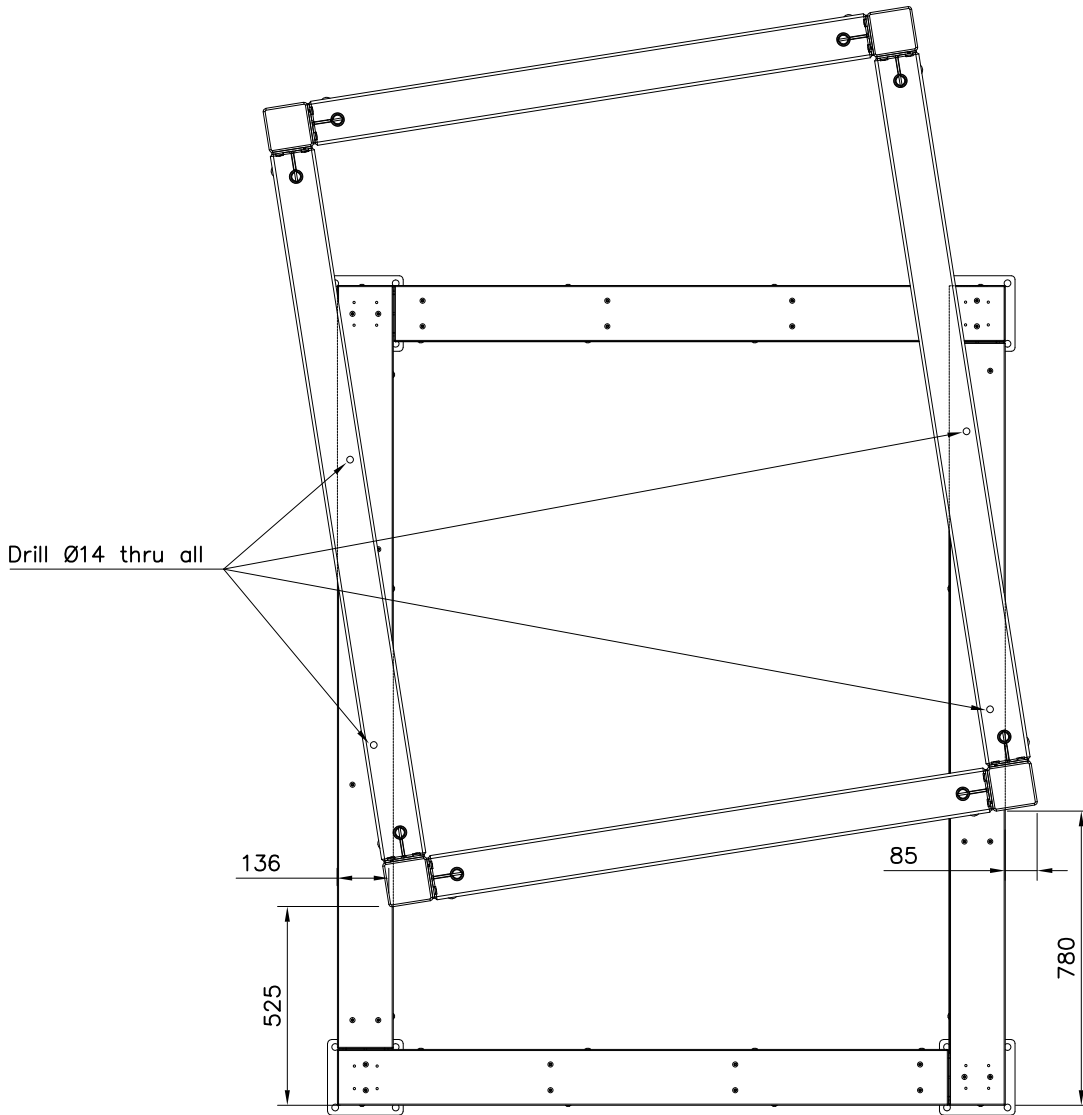
NOTE:
Use drill jig 708857
to predrill $\text{Ø}5\sqrt{50}$
holes for 910266



DET 5

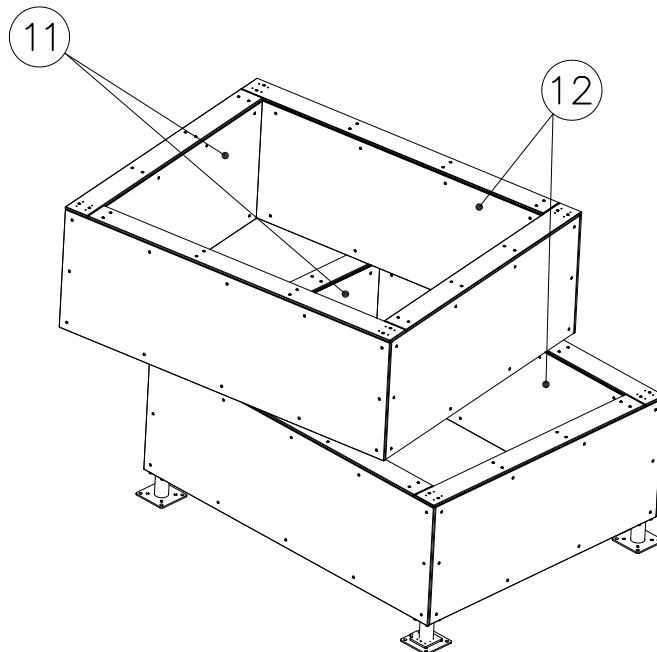


DET 6

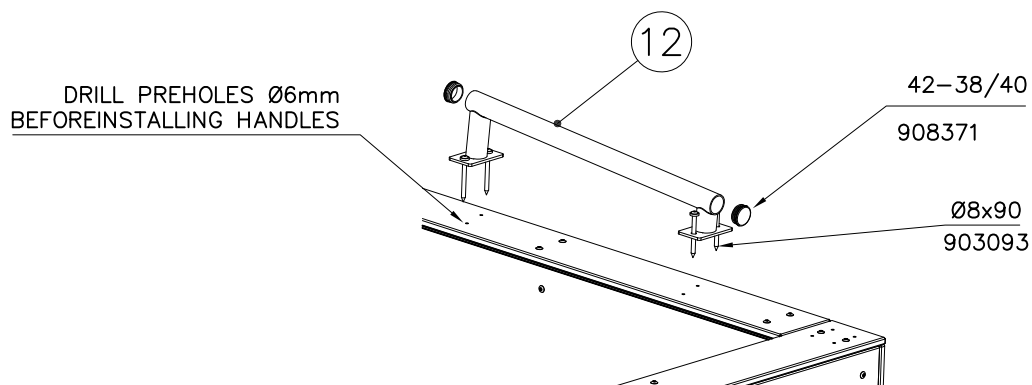


DET 7

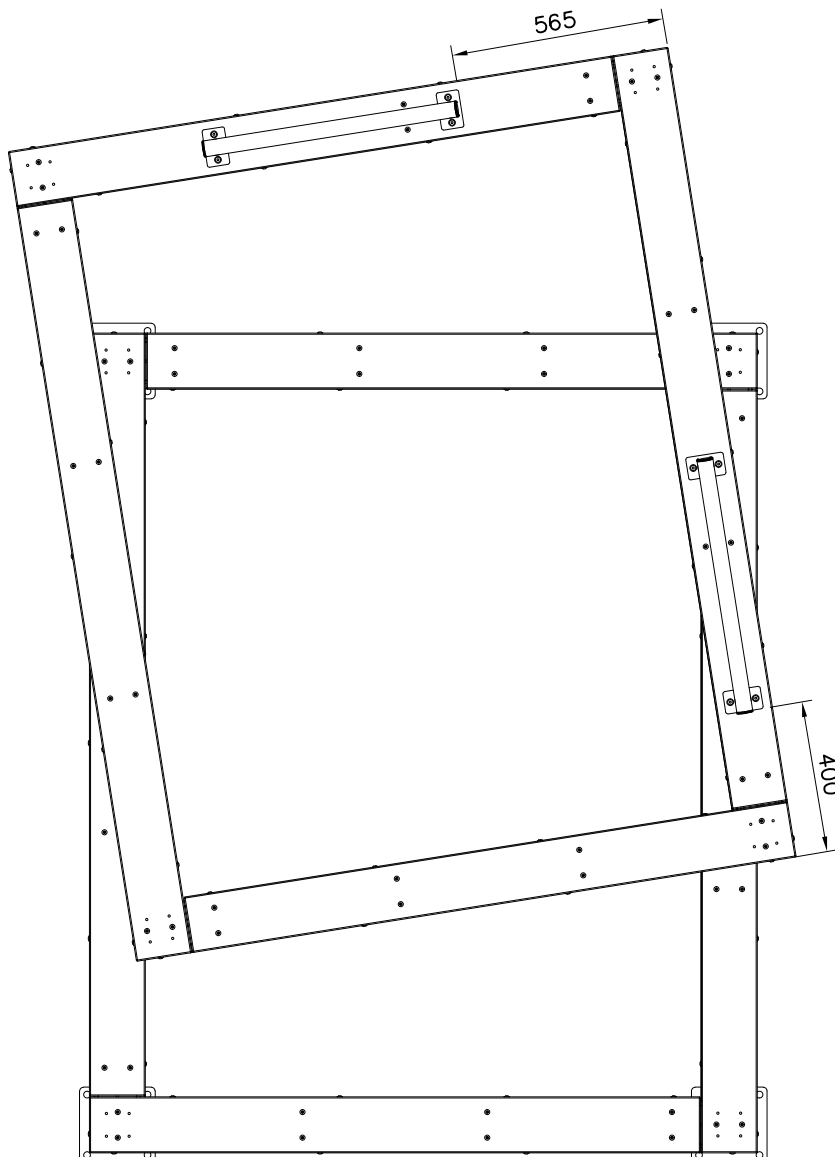
Install all plates

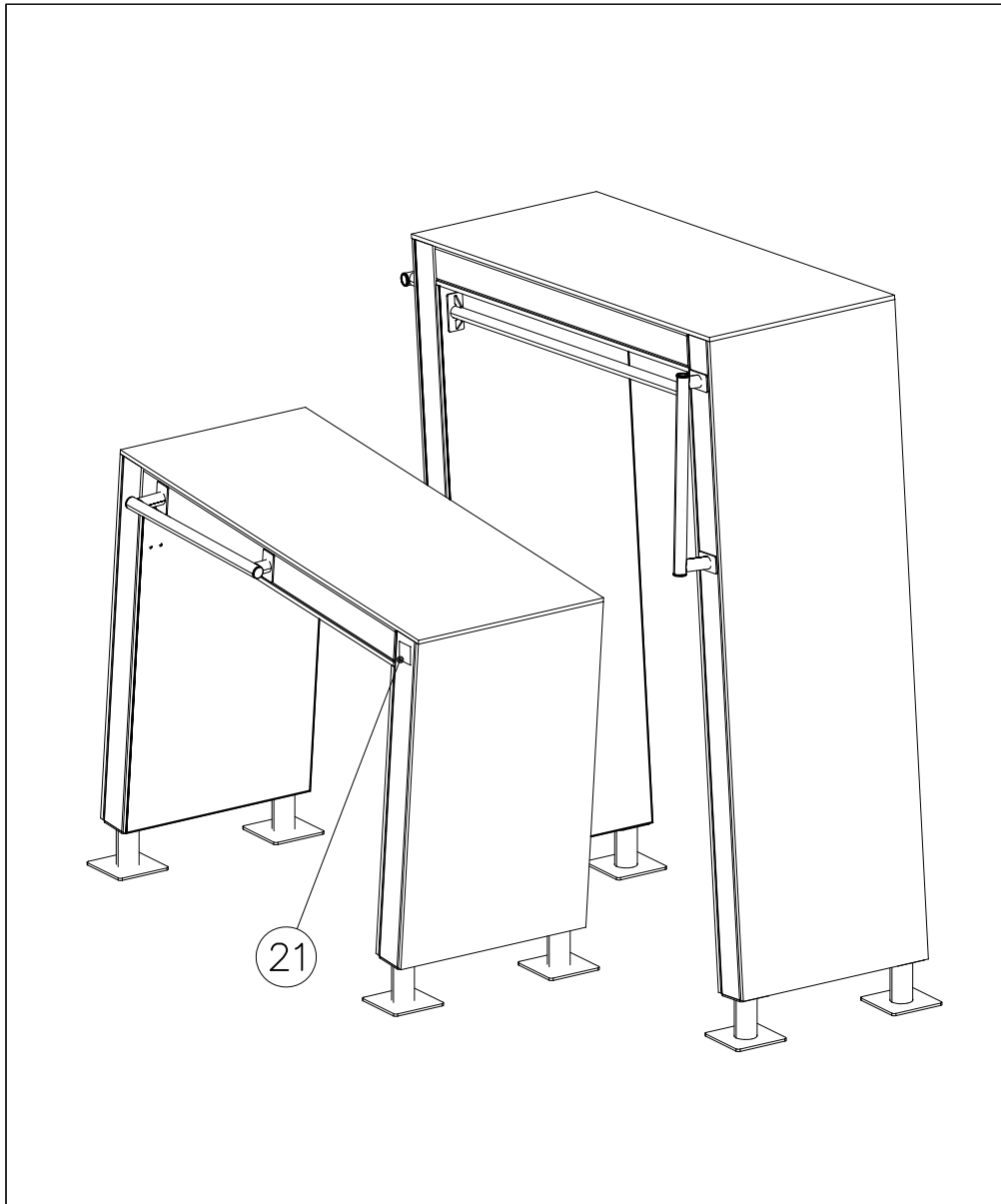


DET 8

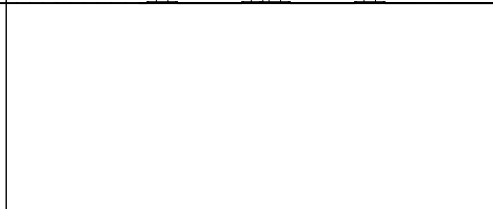
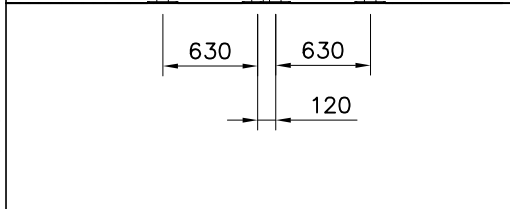
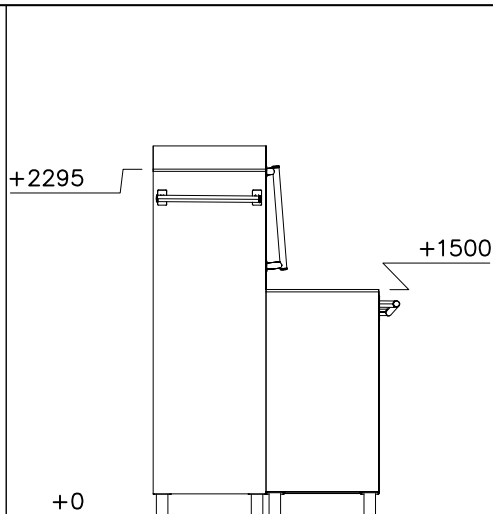
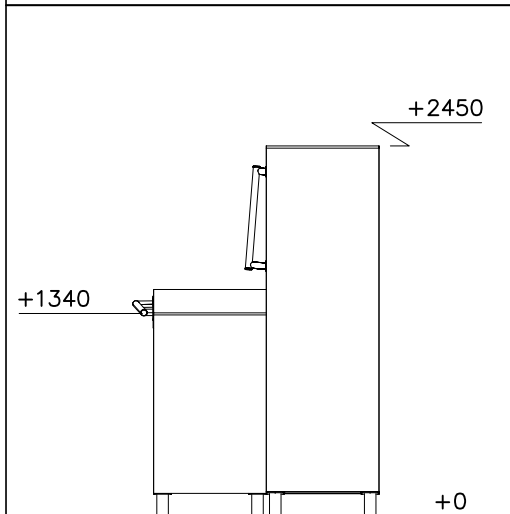



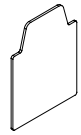
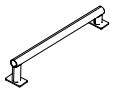
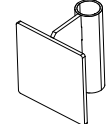
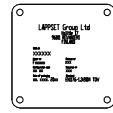



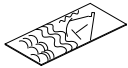
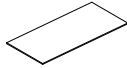




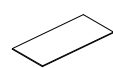




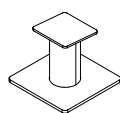

DET 9

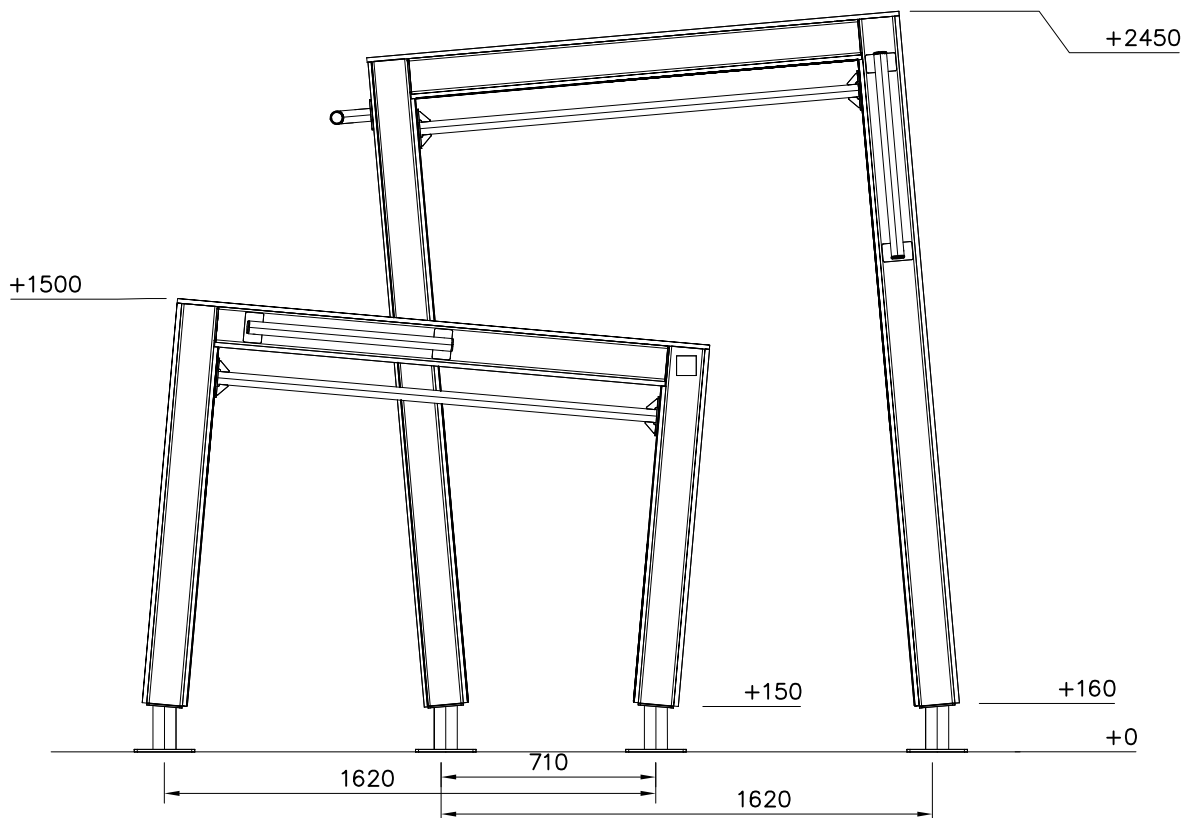




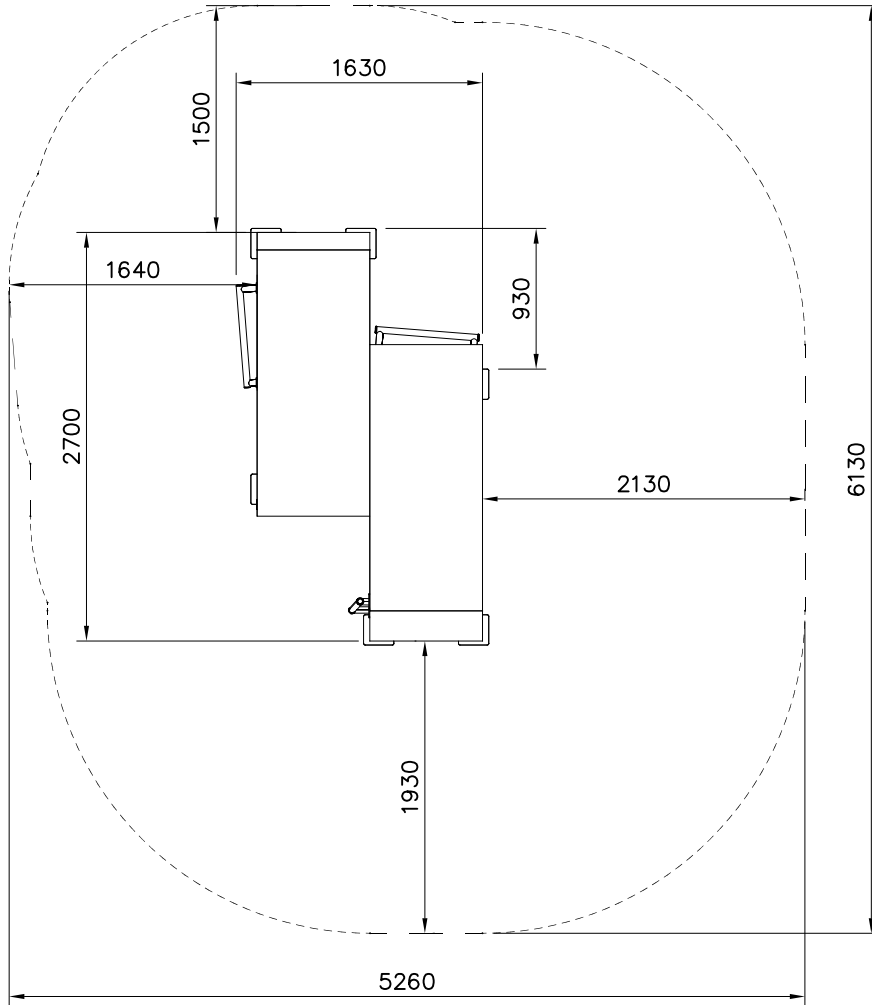
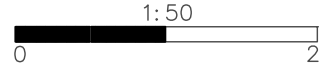
① 707210 118x118x503	PCS 8	② 707213 118x118x1490	PCS 4
③ 708042 118x118x1185	PCS 2	④ 708125 118x118x1326	PCS 2
⑤ 708522 118x118x2139	PCS 2	⑥ 708688 118x118x2279	PCS 2
⑦ 708721 15x745x1766	PCS 2	⑧ 708722 15x745x2280	PCS 1
⑨ 708723 15x745x1185	PCS 1	⑩ 708724 15x745x1326	PCS 1
⑪ 708857 JIG 20x133x149	PCS 1	⑫ 900240 Ø8x70	PCS 100
⑬ 903093 Ø8x90	PCS 16	⑭ 903533 SRL12	PCS 6
⑮ 905103 PT-28/32-H	PCS 16	⑯ 905112 Ø22	PCS 16



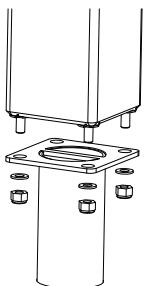
<p>① 908371</p>  <p>42-38/40</p>	<p>PCS</p> <p>6</p>	<p>② 908698</p>  <p>3x114x108</p>	<p>PCS</p> <p>16</p>	<p>③ 910056</p>  <p>140x690</p>	<p>PCS</p> <p>3</p>	<p>④ 910266</p>  <p>90x108x118</p>	<p>PCS</p> <p>8</p>	<p>⑤ 702286</p>  <p>65x65</p>	<p>PCS</p> <p>1</p>	<p>⑥ 910328</p>  <p>L 1466</p>	<p>PCS</p> <p>3</p>
<p>⑦ 980100</p>  <p>Ø5x60</p>	<p>PCS</p> <p>96</p>	<p>⑧ 980123</p>  <p>Ø7x60</p>	<p>PCS</p> <p>106</p>	<p>⑨ 911297 MURAL</p>  <p>12x745x2140</p>	<p>PCS</p> <p>1</p>	<p>⑩ 911293 COLOR</p>  <p>15x745x2145</p>	<p>PCS</p> <p>1</p>	<p>⑪ 911295 COLOR</p>  <p>15x745x2004</p>	<p>PCS</p> <p>1</p>	<p>⑫ 911301 COLOR</p>  <p>15x745x1495</p>	<p>PCS</p> <p>1</p>
<p>⑬ 911103 COLOR</p>  <p>15x745x1495</p>	<p>PCS</p> <p>1</p>	<p>⑭ 911305 COLOR</p>  <p>15x745x1192</p>	<p>PCS</p> <p>1</p>	<p>⑮ 911307 COLOR</p>  <p>15x745x1050</p>	<p>PCS</p> <p>1</p>	<p>⑯ 905086</p>  <p>Ø44/13.5x3.9</p>	<p>PCS</p> <p>2</p>	<p>⑰ 909132</p>  <p>M12x280</p>	<p>PCS</p> <p>1</p>	<p>⑱ 909248</p>  <p>M12</p>	<p>PCS</p> <p>1</p>
<p>⑳ 980114</p>  <p>Ø4x20</p>	<p>PCS</p> <p>4</p>	<p>FOOT OPTIONS</p> <p>709261+ 709262+</p> <p>○ 910267 SURFACE PCS 8 ○ 910567 CONCRETE PCS 8</p>  <p>152x200x200</p>  <p>117x117x715</p>									



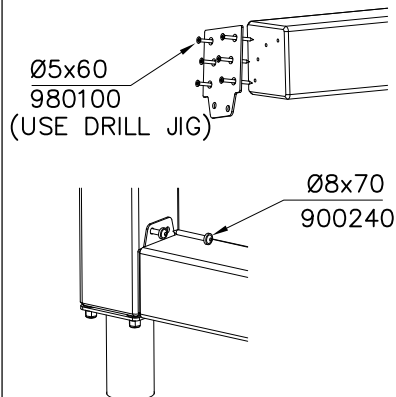
- EN Impact Attenuating Surface (IAS) 27.6 m²
- - - - Falling Space 27.6 m²
- Max Falling Height 2450 mm



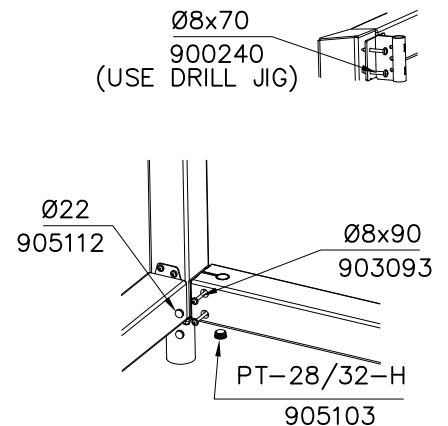
DET 1



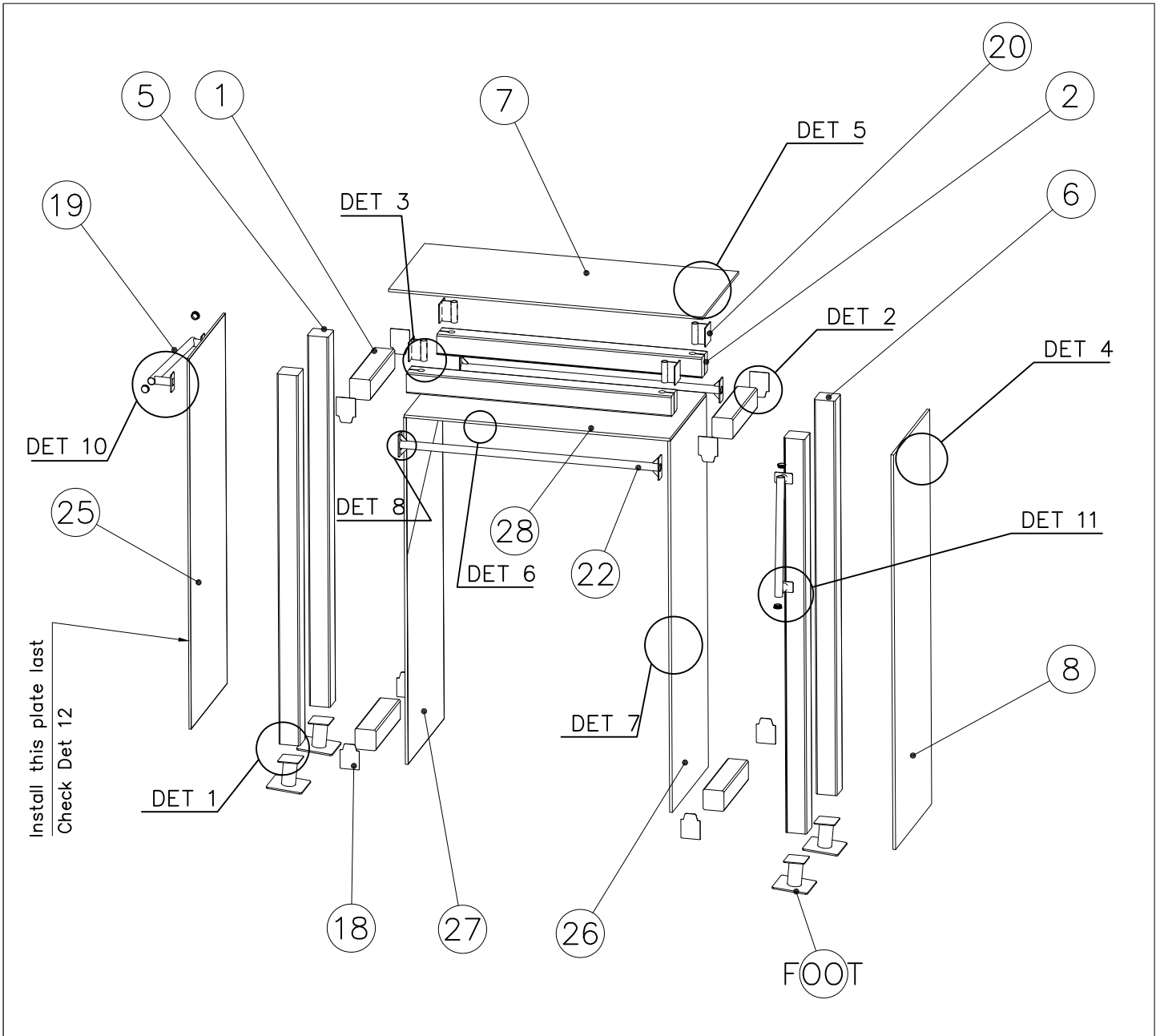
DET 2



DET 3



<p>DET 4</p> <p>Ø7x60 980123</p>	<p>DET 5</p> <p>Ø7x60 980123</p>	<p>DET 6</p> <p>Ø7x60 980123</p>
<p>DET 7</p> <p>SRL12 903533</p> <p>Ø7x60 980123</p>	<p>DET 8</p> <p>Ø8x70 900240</p>	<p>DET 9 DRILL PREHOLES Ø6mm BEFORE INSTALLING HANDLES</p> <p>42-38/40 908371</p> <p>Ø8x70 900240</p>
<p>DET 10</p> <p>42-38/40 908371</p> <p>Ø8x70 900240</p>	<p>DET 11 DRILL PREHOLES BEFORE INSTALLING HANDLES</p> <p>Ø8x70 900240</p> <p>42-38/40 908371</p>	



JIG DET A (USE DET 2-3)

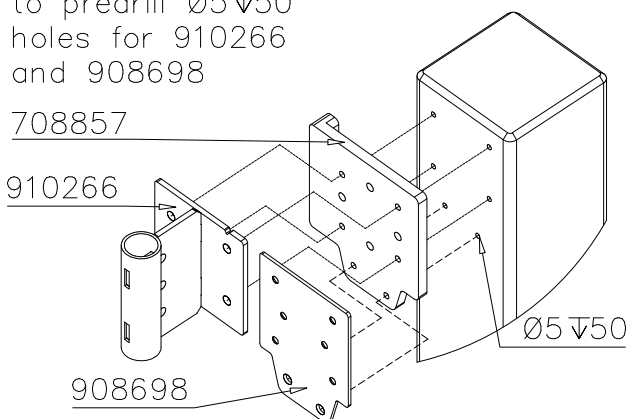
NOTE:

Use drill jig 708857 to predrill $\text{Ø}5 \nabla 50$ holes for 910266 and 908698

708857

910266

908698



JIG DET B (USE DET 11)

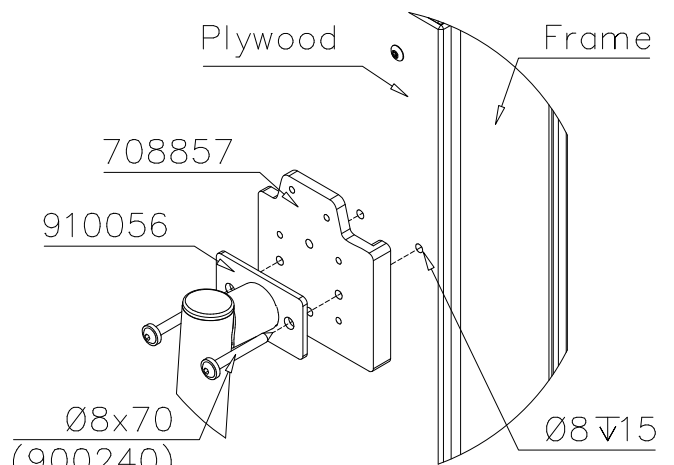
Plywood Frame

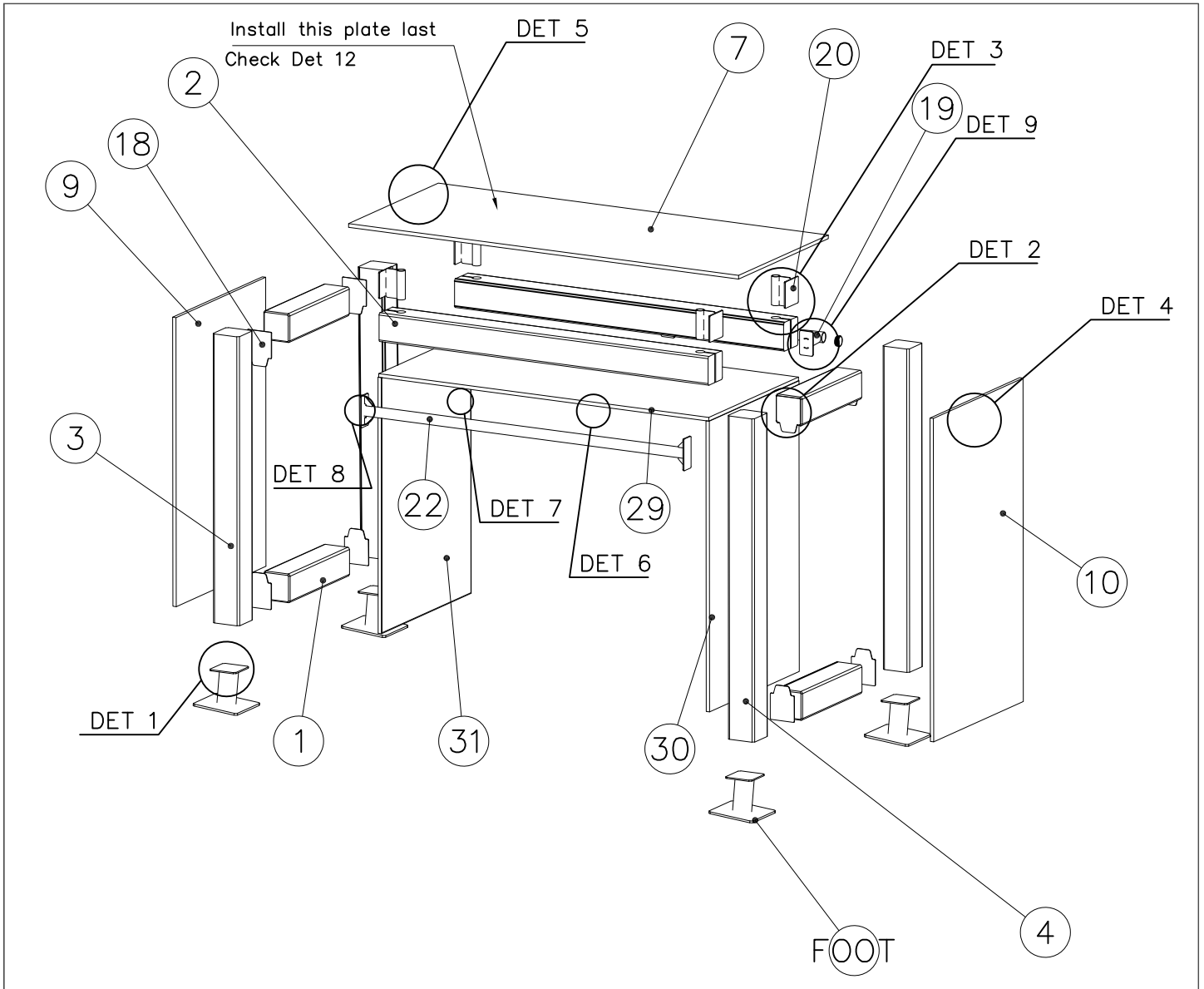
708857

910056

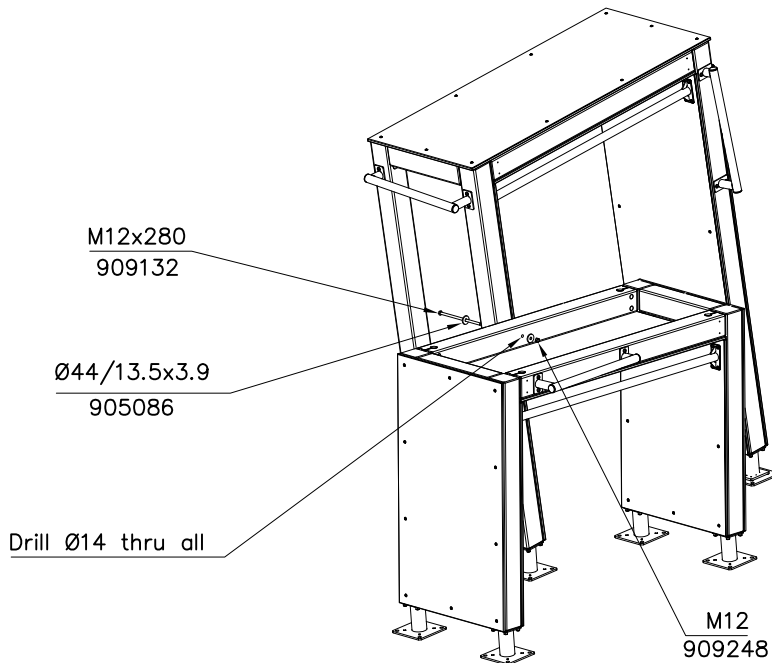
$\text{Ø}8 \times 70$
(900240)

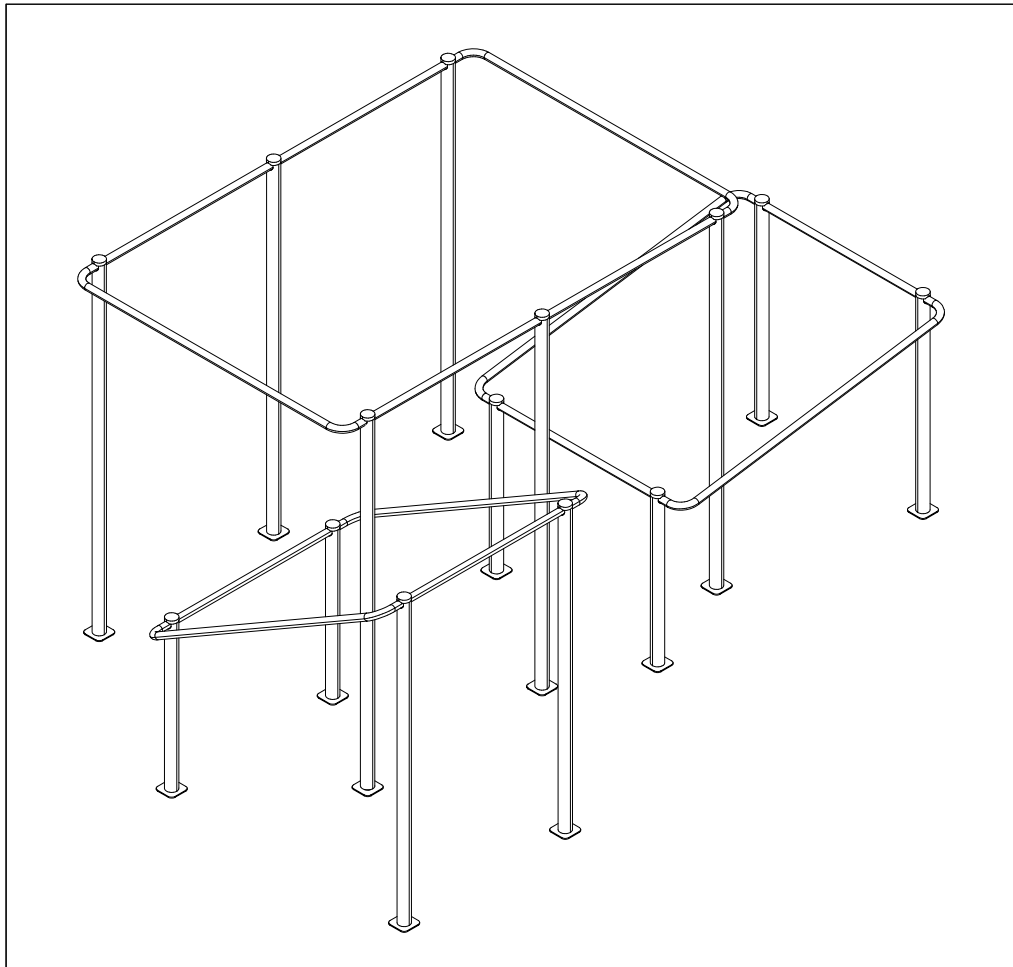
$\text{Ø}8 \nabla 15$

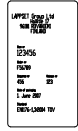



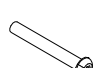


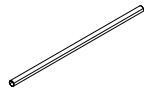


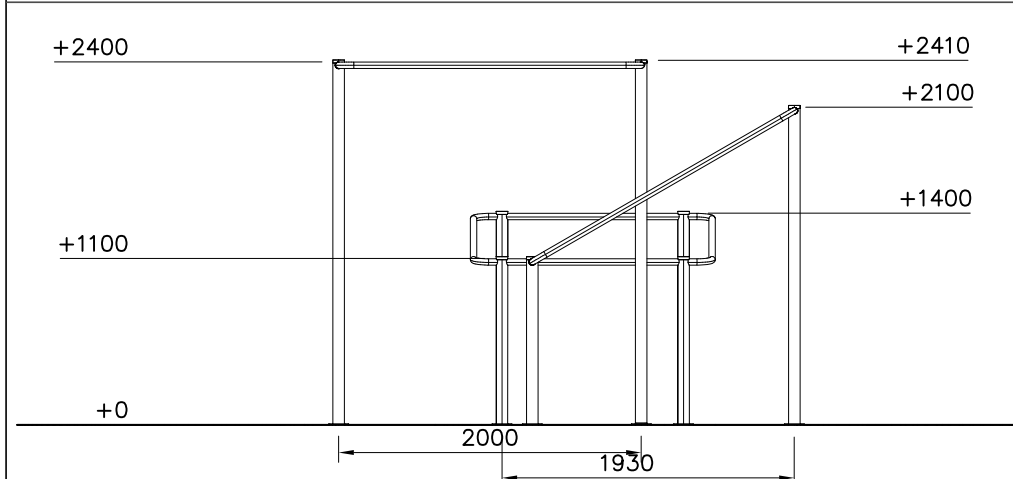



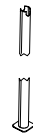

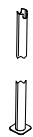
DET 12

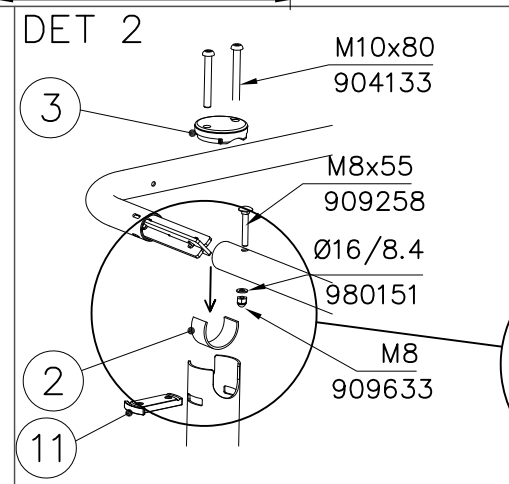
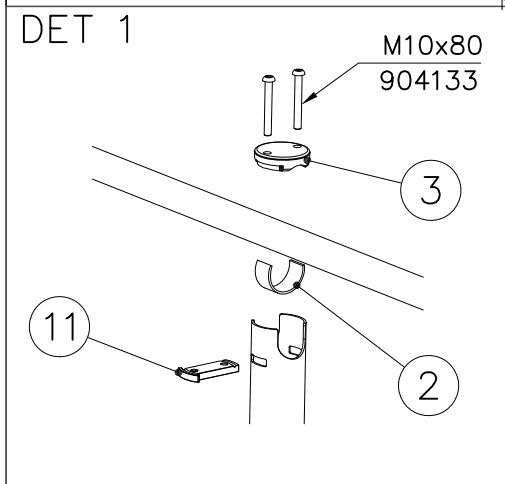







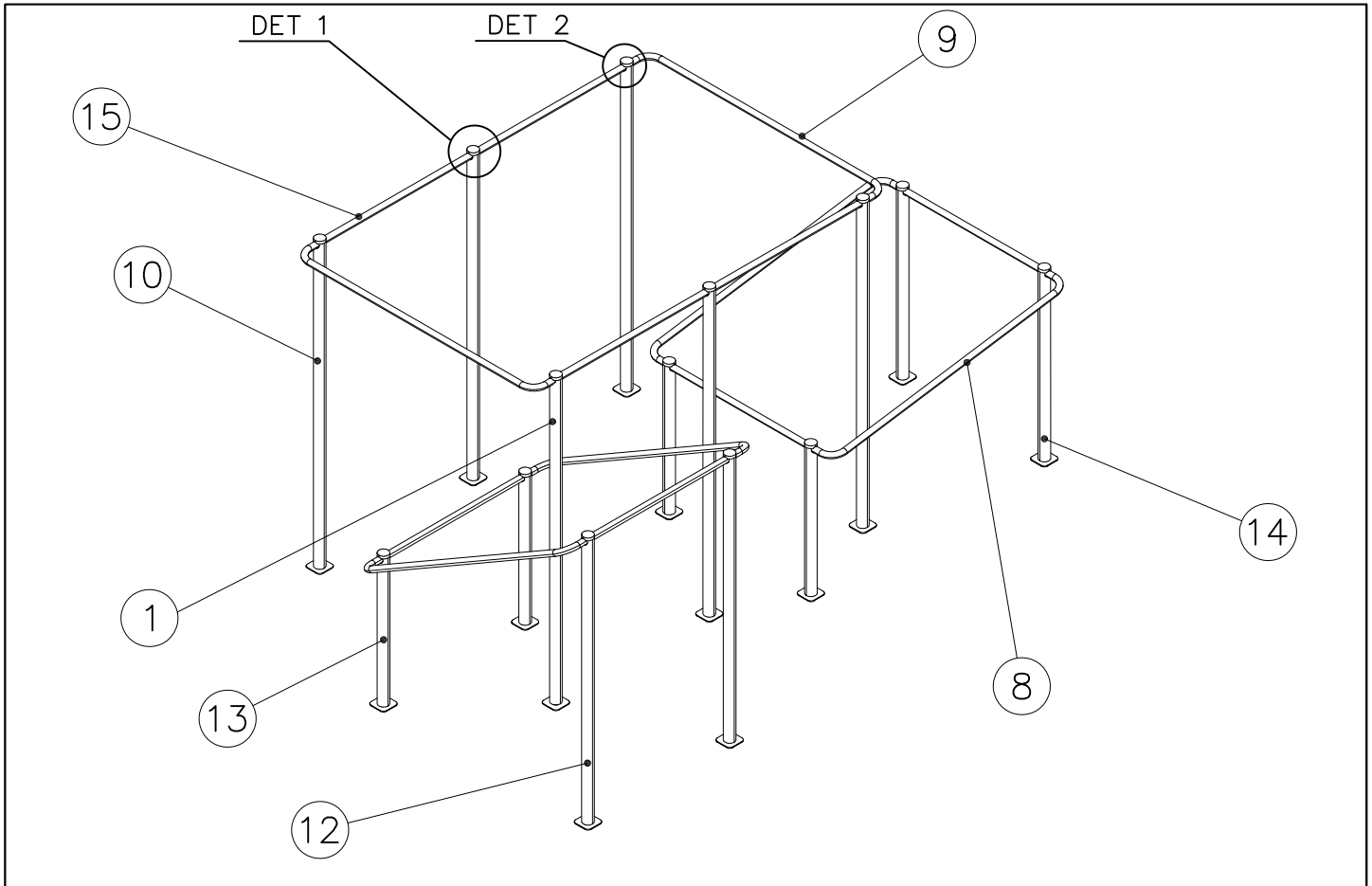
① 702341  90x50	PCS 1	② 704879  3x30x120mm	PCS 14
③ 708880  Ø77x20	PCS 14	④ 980151  Ø16/8.4	PCS 12
⑤ 904133  M10x80	PCS 28	⑥ 909258  M8x55	PCS 12
⑦ 909633  M8	PCS 12	⑧ 910547  Ø42.4x1200	PCS 4



⑨ 910549  Ø42.4x286x2042	PCS 6	⑩ 910556  L 2400	PCS 6
⑪ 910557  10x45x87	PCS 14	⑫ 910563  L 2100	PCS 2



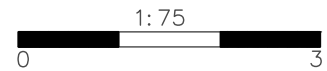
⑬ 910564  L 1100	PCS 4	⑭ 910565  L 1400	PCS 2
⑮ 910704  Ø42.4x2600	PCS 2		



— EN Impact Attenuating Surface (IAS) 48.8 m²

- - - Falling Space 48.8 m²

Max Falling Height 2410 mm

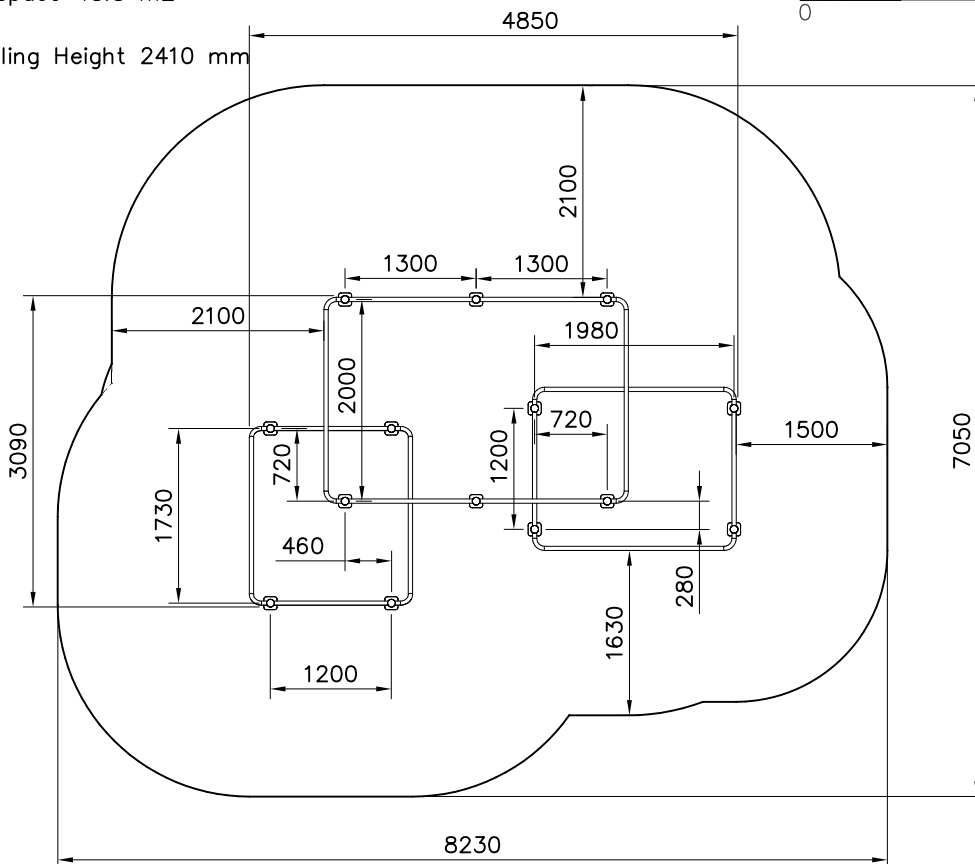


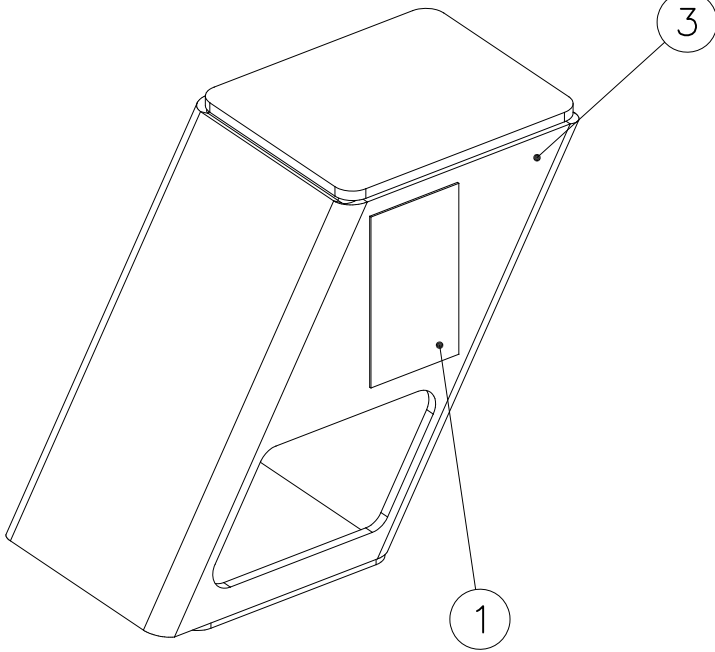
INSTALLING FOR SURFACE MOUNTING

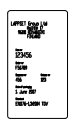
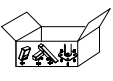
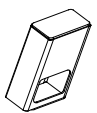
	709396	PCS
		14

FOOT OPTION FOR DEEP MOUNTING


	709397+	PCS
	910562	14
	L 600	



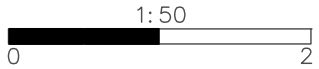
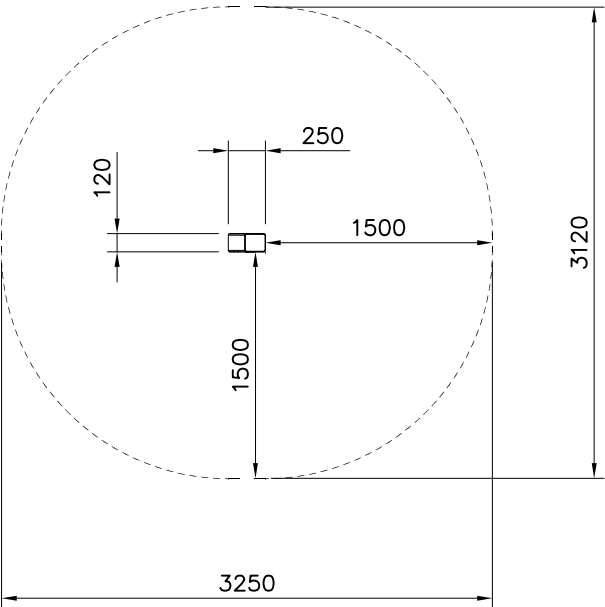
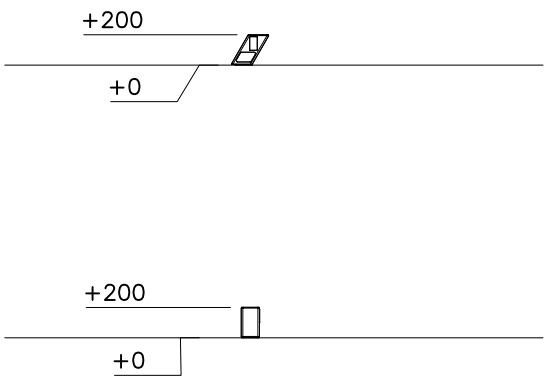


① 702341	PCS	② 709381	PCS
	1		2
90x50		SURFACE	
		③ 910219	PCS
			1
		120x120x200	

FOOT OPTION FOR DEEP MOUNTING

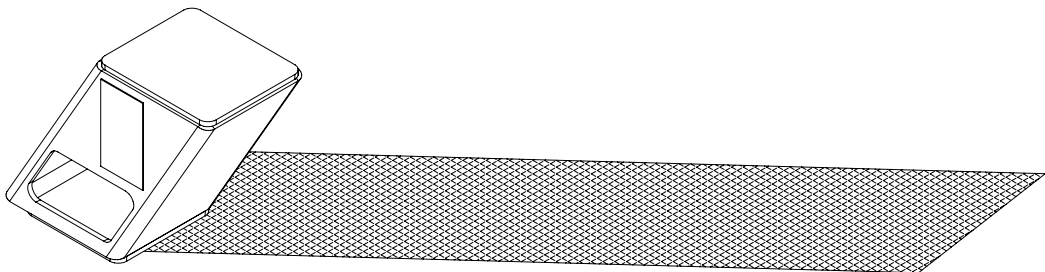
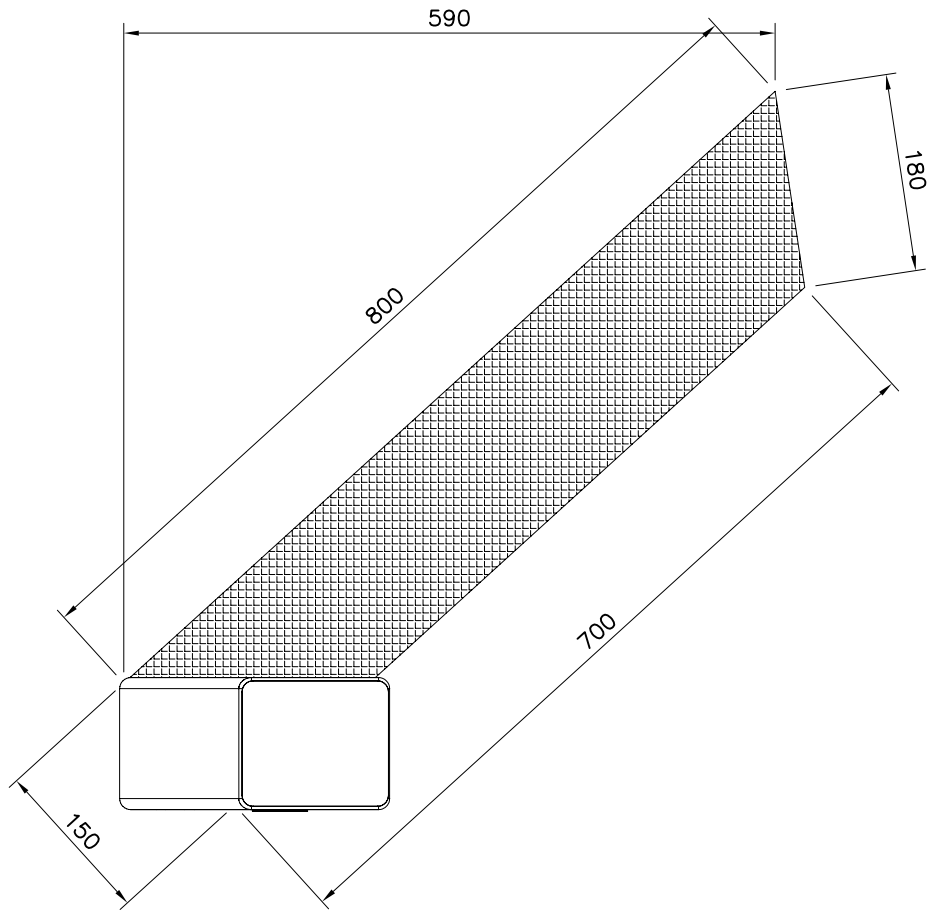
709379+		④ 902564	PCS
			1
L 550			

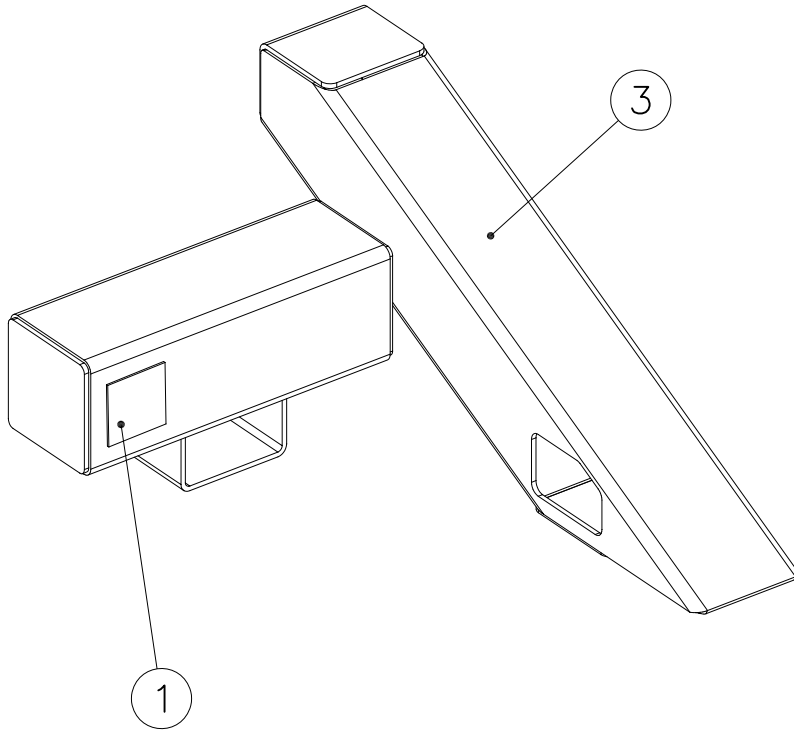
----- Falling Space 8.2 m2
Max Falling Height 200 mm

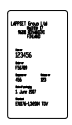





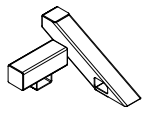
Copyright Lappset Group Ltd

Shadow lines




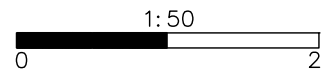


① 702341	PCS	② 709381	PCS
	1		2
90x50		SURFACE	

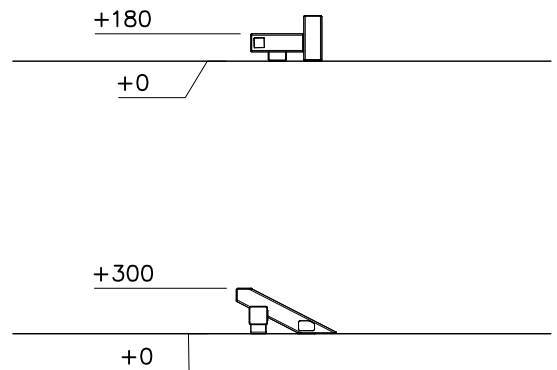
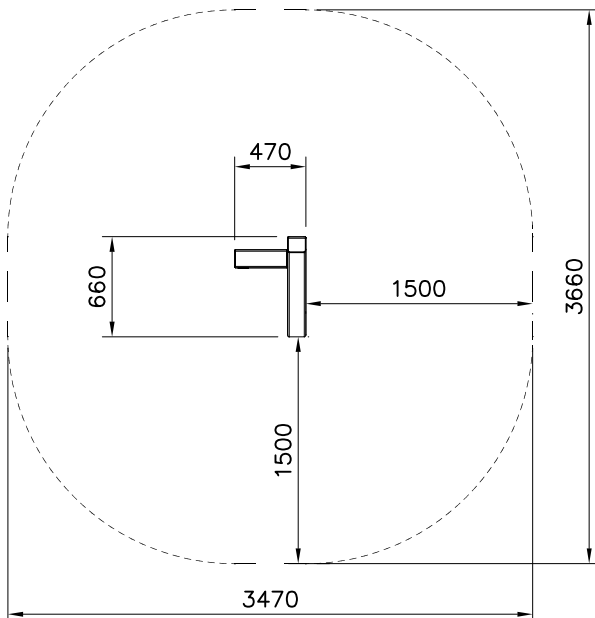
③ 910220	PCS
	1
300x470x662	

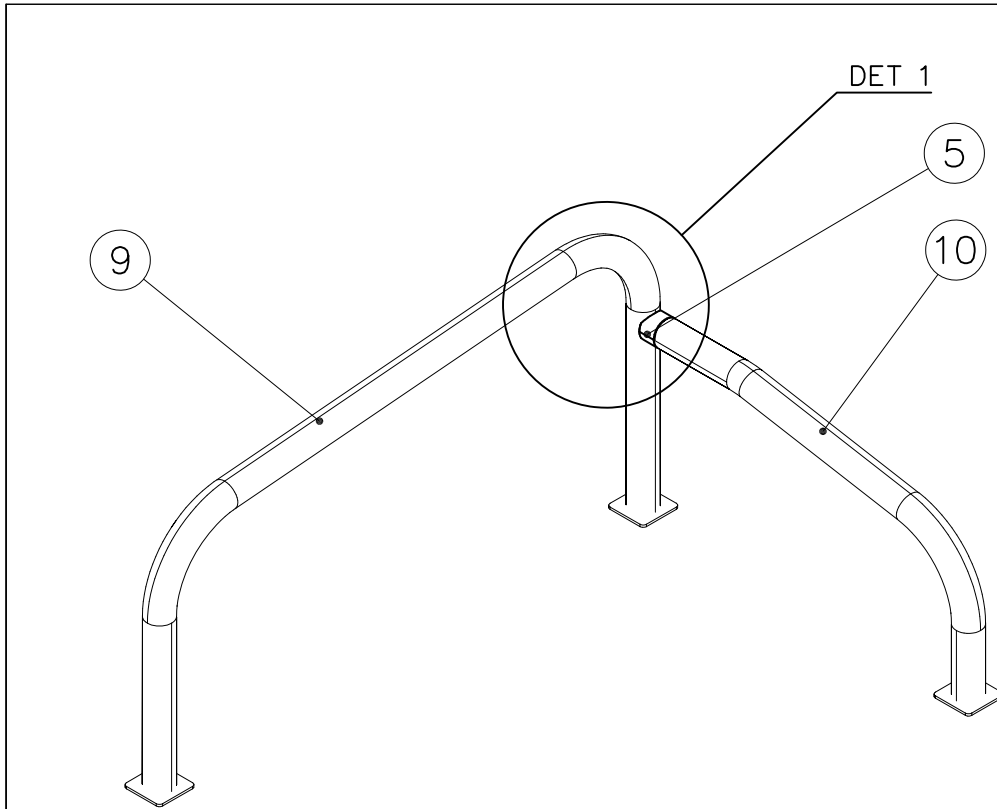
FOOT OPTION FOR DEEP MOUNTING

709379+	
○ 902564	PCS
	2
L 550	

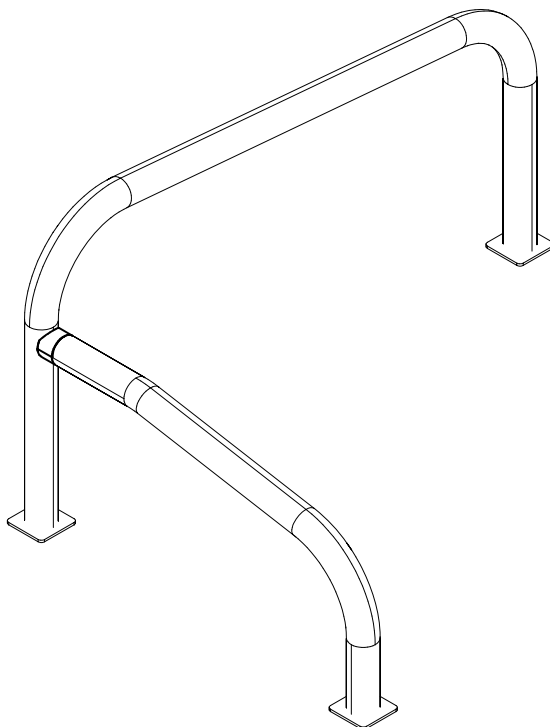


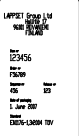

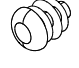
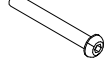




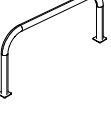
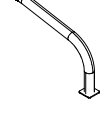

----- Falling Space 10.8 m²
 Max Falling Height 300 mm






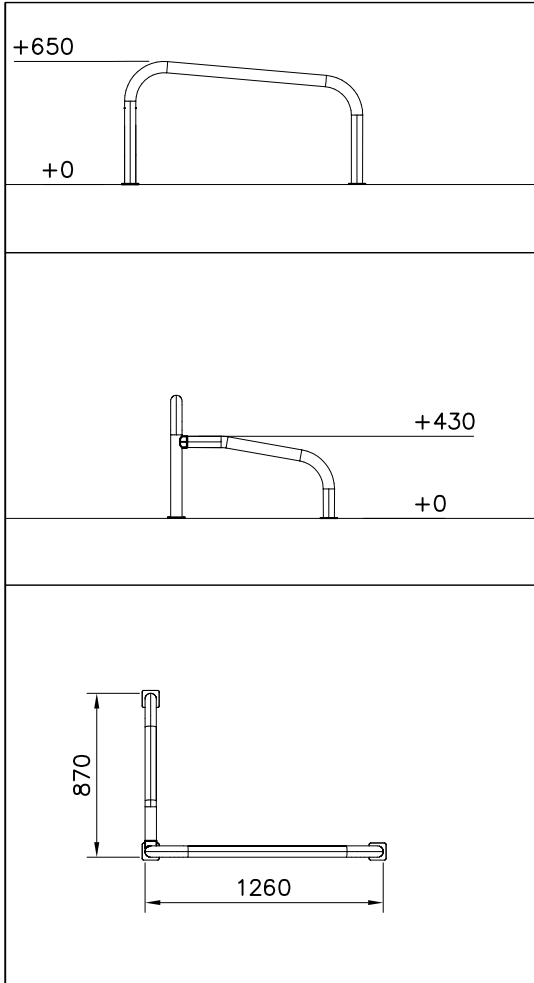
OPTION LEFT-HANDED



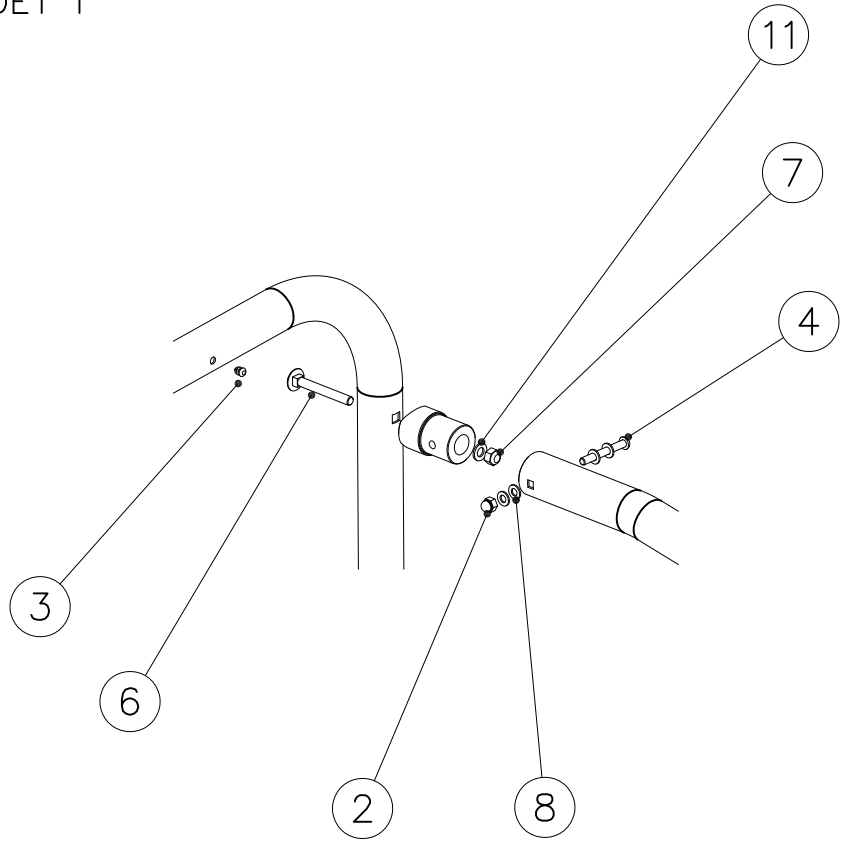
①	702341	PCS	②	900965	PCS
		1			1
	90x50			M10	
③	903533	PCS	④	904133	PCS
		4			1
	SRL12			M10x80	
⑤	908069	PCS	⑥	909111	PCS
		1			1
	Ø60x87.6			M12x100	
⑦	909248	PCS	⑧	909638	PCS
		1			4
	M12			Ø20/10.5	
⑨	910254	PCS	⑩	910262	PCS
		1			1
	Ø60x650x1290			Ø60x435x795	
⑪	980154	PCS			PCS
		1			
	Ø24/13				

FOOT OPTION FOR DEEP MOUNTING

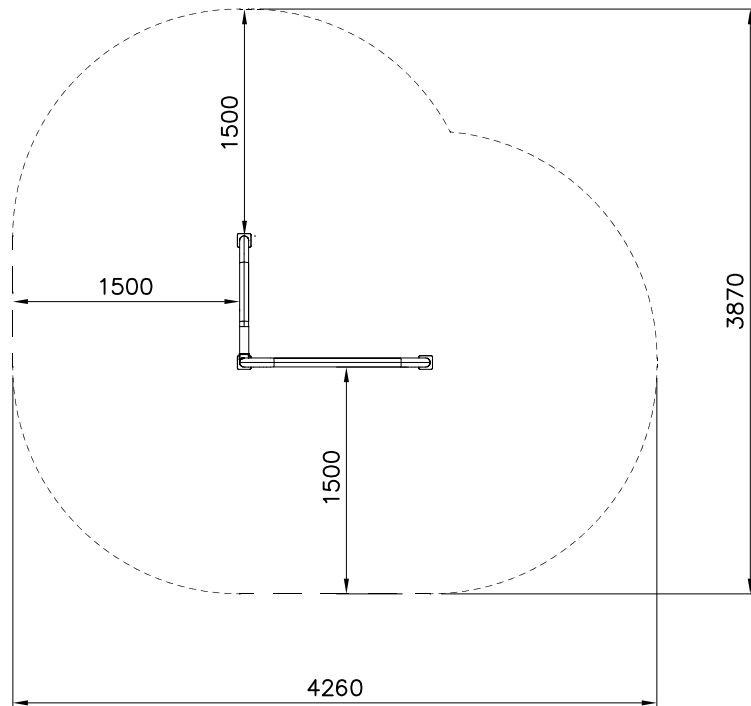
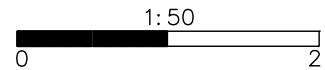
○	709379+	
○	902564	PCS
		3
	L 550	

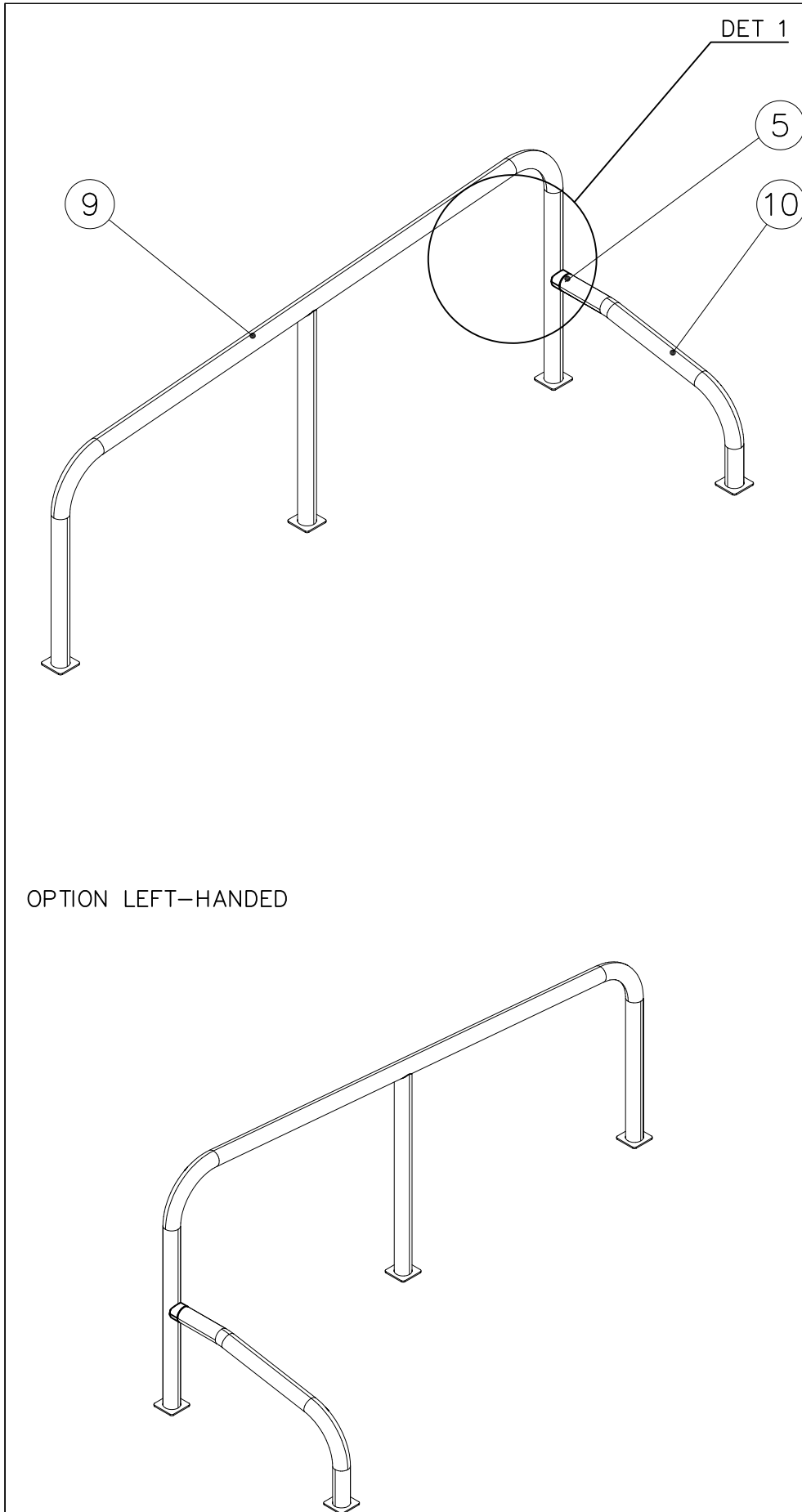


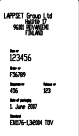

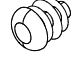
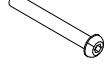
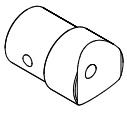



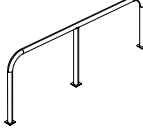
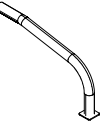

DET 1



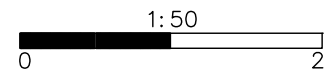
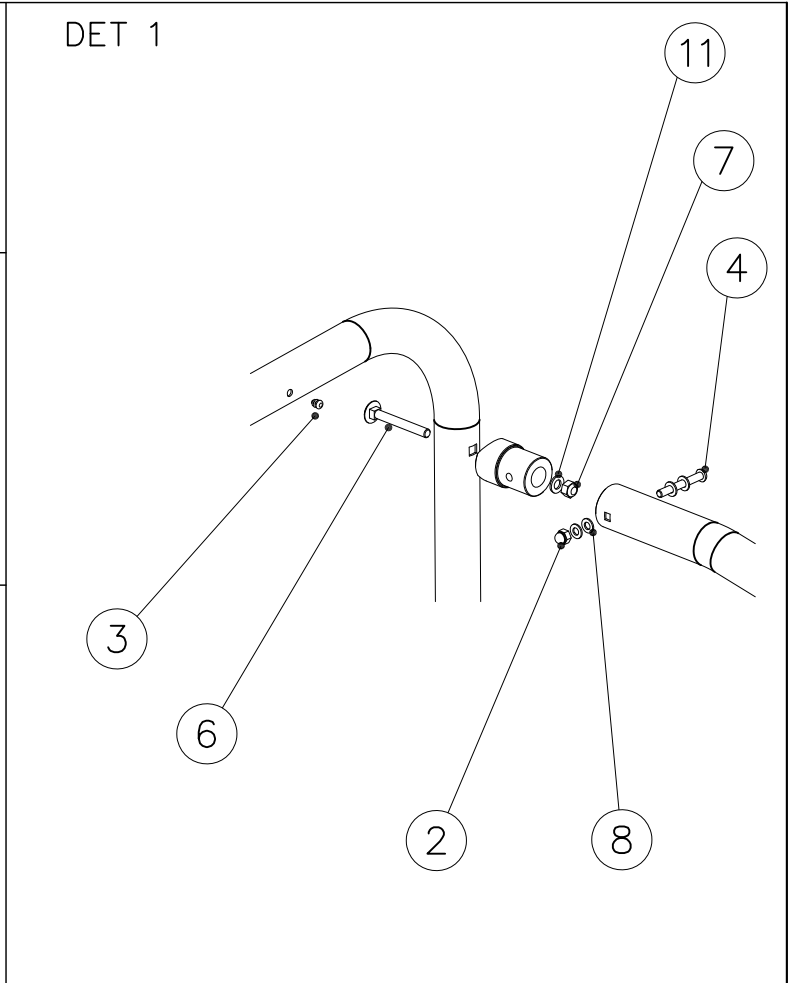
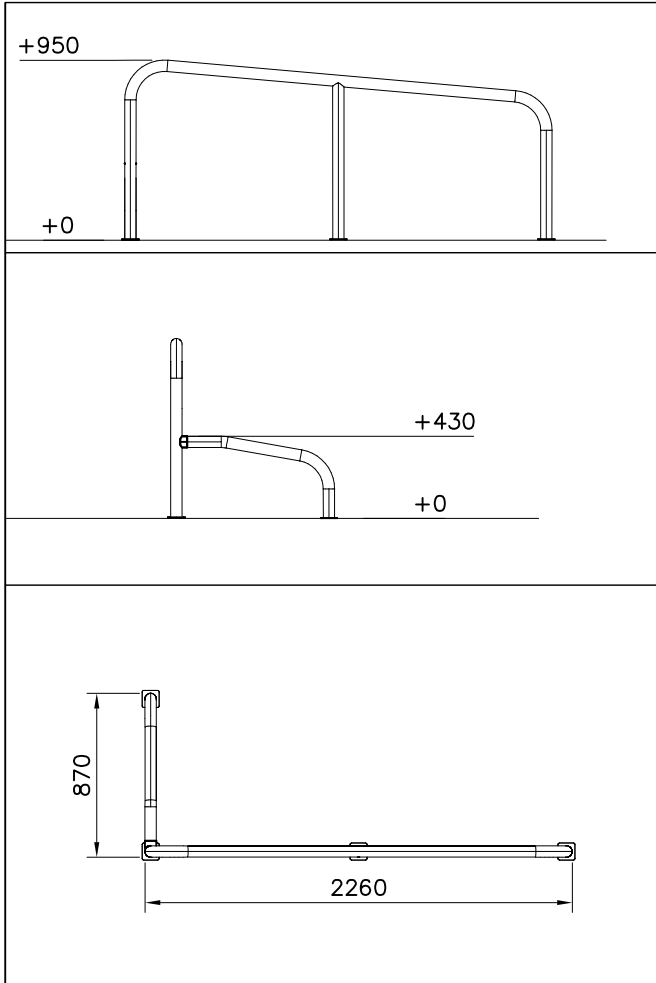
----- Falling Space 13.1 m²
Max Falling Height 650 mm



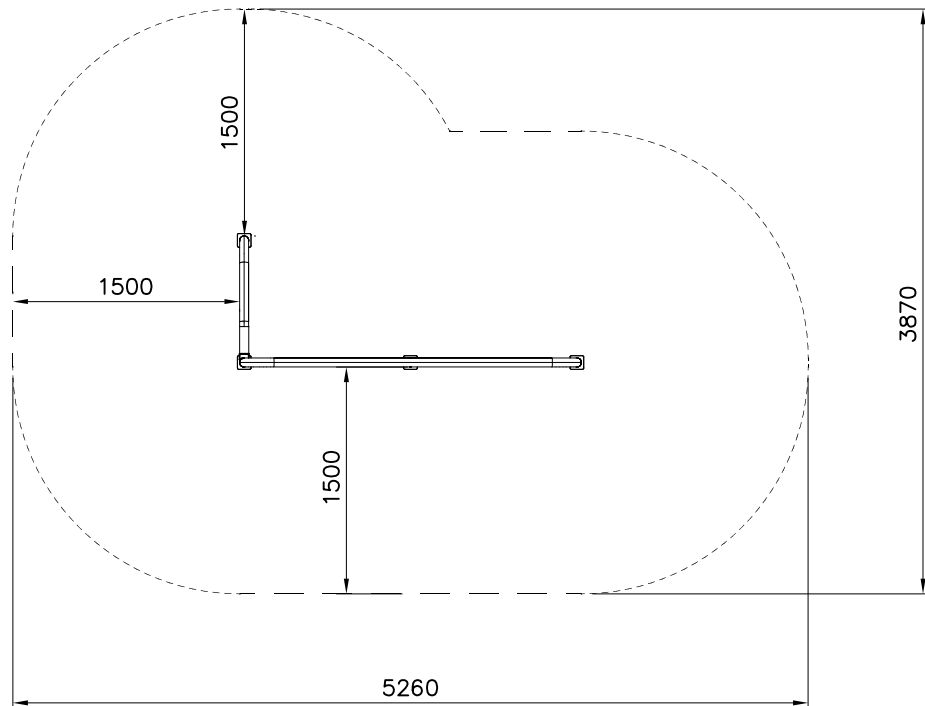


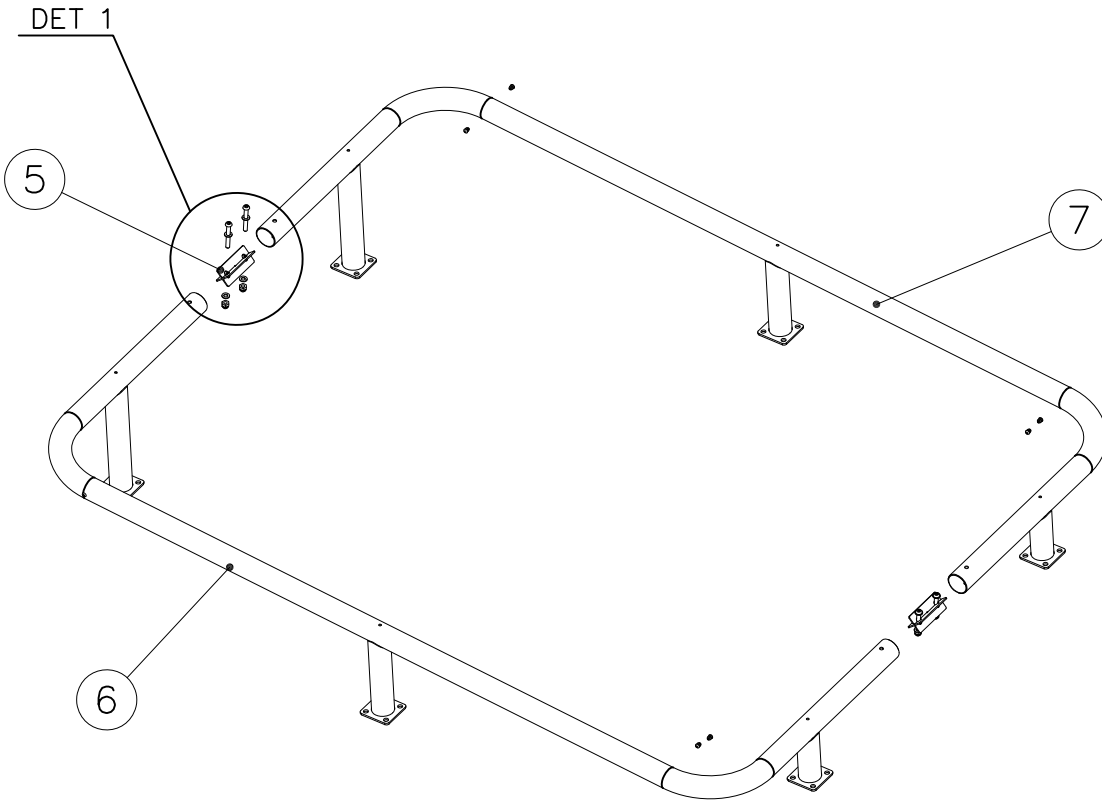
①	702341	PCS	②	900965	PCS
		1			1
	90x50			M10	
③	903533	PCS	④	904133	PCS
		4			1
	SRL12			M10x80	
⑤	908069	PCS	⑥	909111	PCS
		1			1
	Ø60x87.6			M12x100	
⑦	909248	PCS	⑧	909638	PCS
		1			4
	M12			Ø20/10.5	
⑨	910255	PCS	⑩	910262	PCS
		1			1
	Ø60x950x2290			Ø60x435x795	
⑪	980154	PCS			PCS
		1			
	Ø24/13				

OPTION LEFT-HANDED

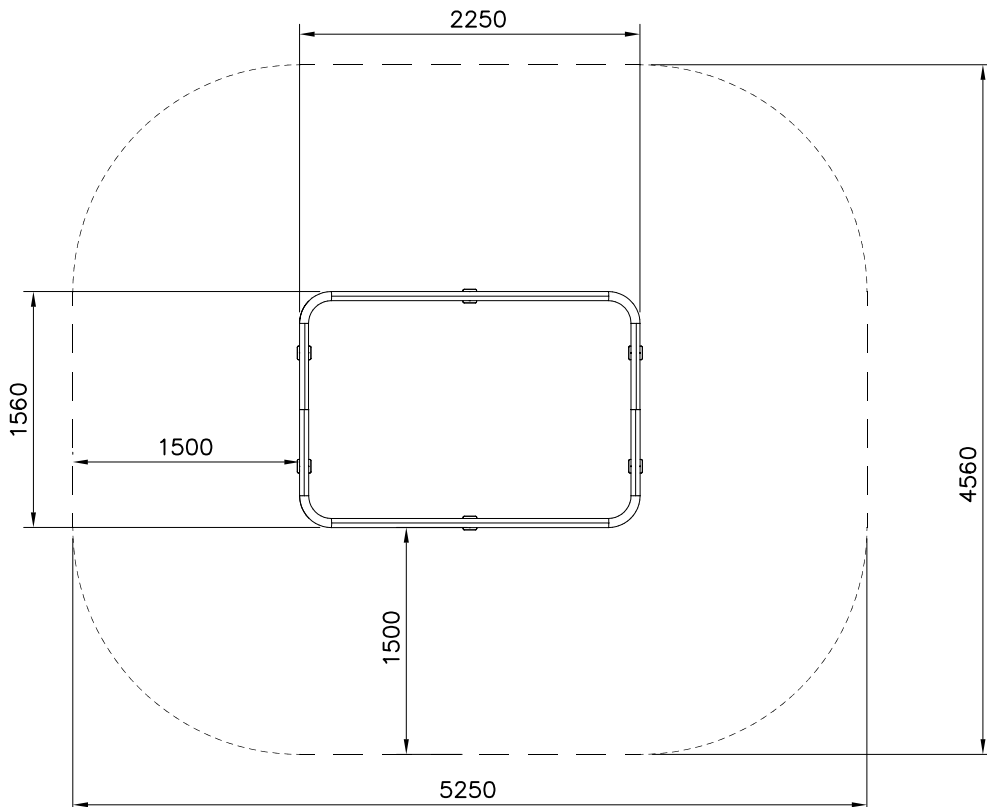
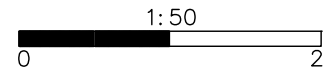


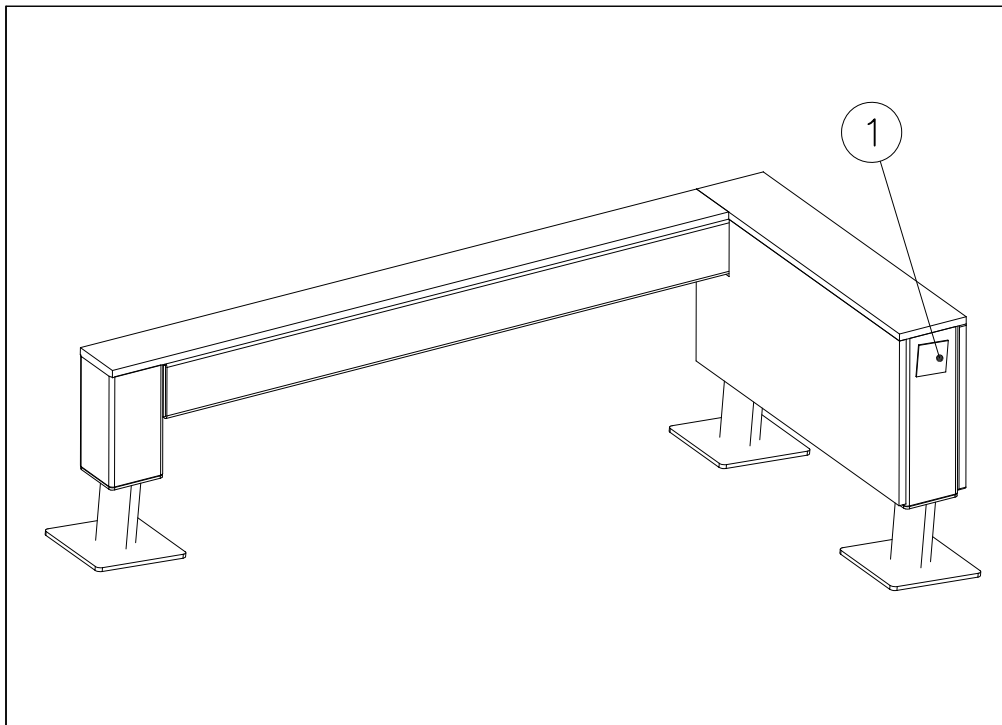
----- Falling Space 16.2 m²
 Max Falling Height 950 mm


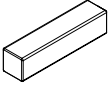







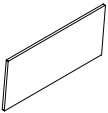
----- Falling Space 22 m2
Max Falling Height 390 mm

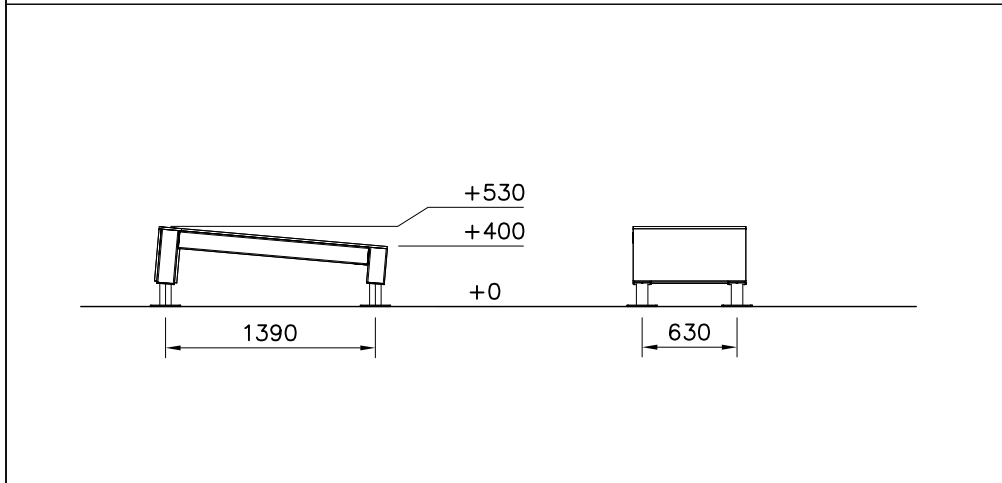


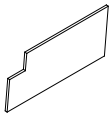
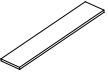



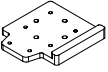
① 702286	PCS	② 707210	PCS
	1		2
65x65		118x118x503	

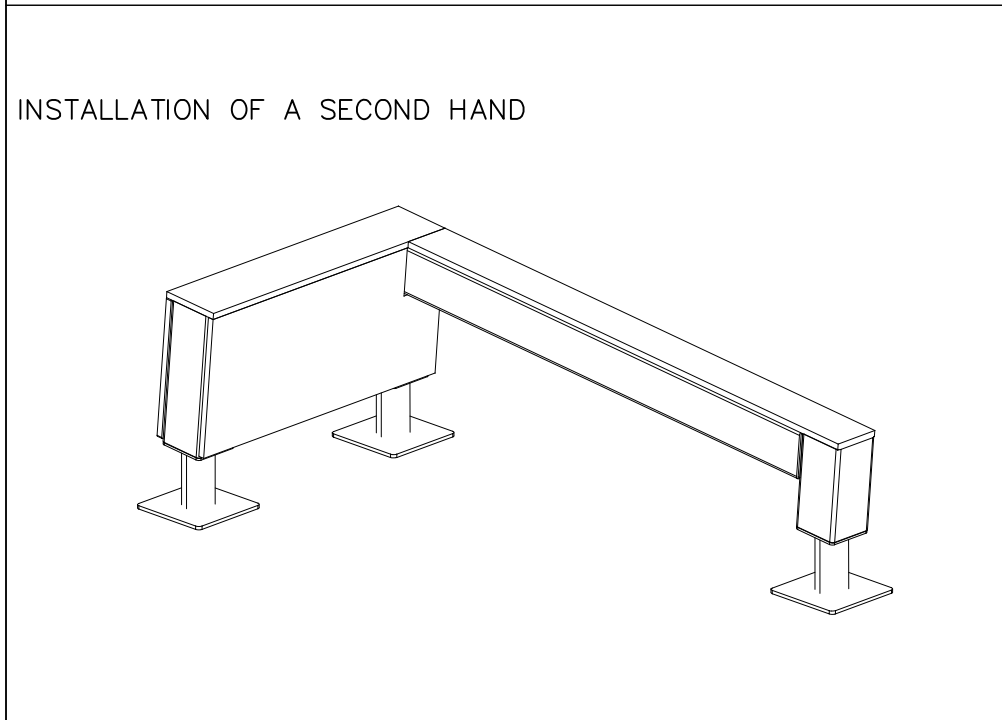
③ 707212	PCS	④ 708347	PCS
	1		1
118x118x1254		118x118x231	

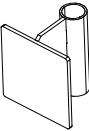

⑤ 708443	PCS	⑥ 708727	PCS
	2		1
118x118x352		15x346x745	






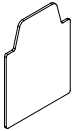
⑦ 708730	PCS	⑧ 708733	PCS
	1		1
15x346x745		15x148x745	




⑨ 708734	PCS	⑩ 708857 JIG	PCS
	1		1
15x118x1365		20x133x149	



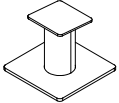

⑪ 910266	PCS	⑫ 900240	PCS
	2		16
90x108x118		Ø8x70	

⑬ 903093	PCS	⑭ 905103	PCS
	4		2
Ø8x90		PT-28/32-H	

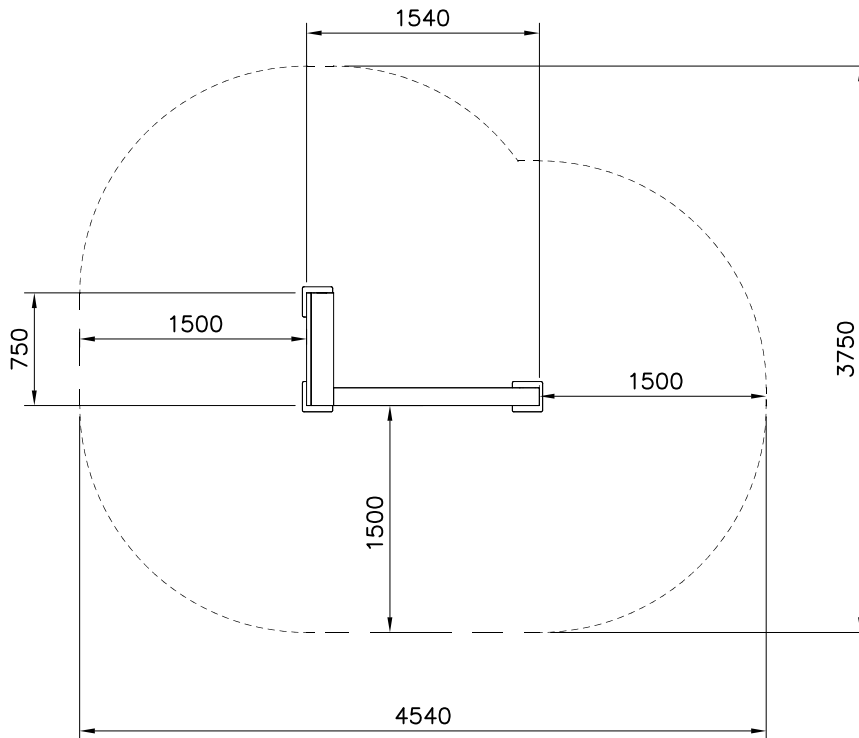
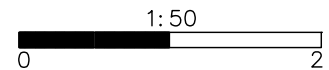
⑮ 905112	PCS	⑯ 908698	PCS
	4		4
Ø22		3x114x108	

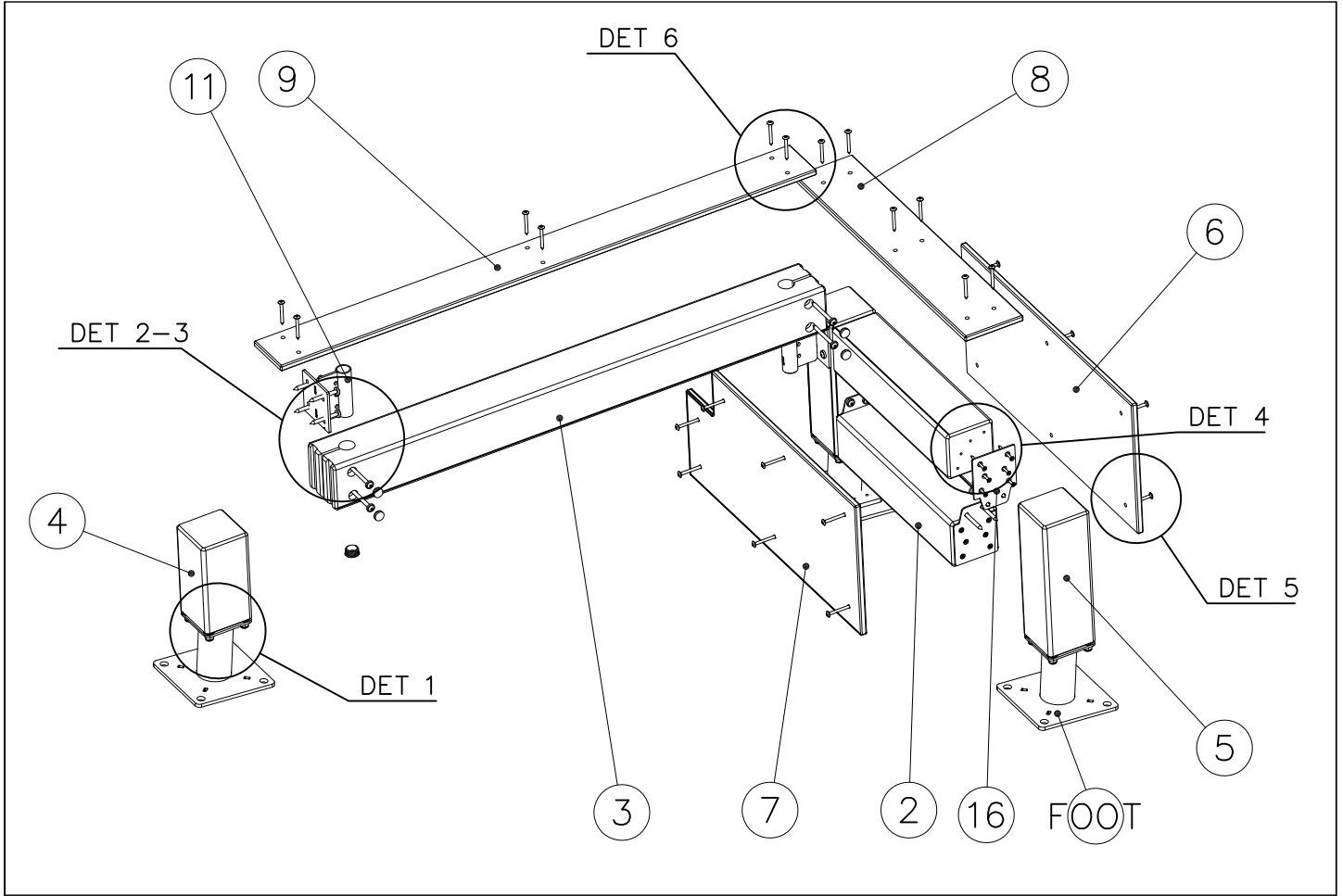
17	980100	PCS	18	980114	PCS	19	980123	PCS
		28			4			25
								
	Ø5x60			Ø4x20			Ø7x60	

FOOT OPTIONS

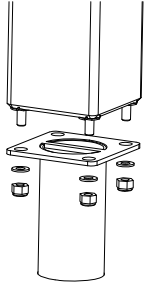
709261+		709262+	
○ 910267	PCS	○ 910567	PCS
SURFACE	3	CONCRETE	3
			
152x200x200		117x117x715	

----- Falling Space 13.8 m²
Max Falling Height 530 mm

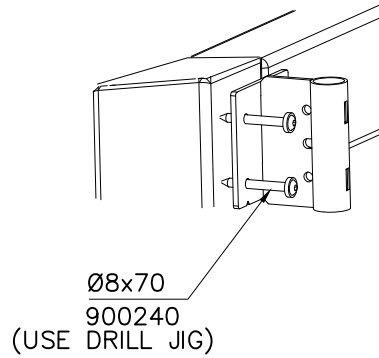




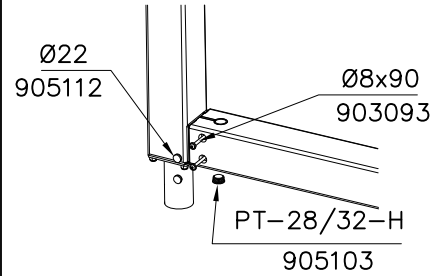
DET 1



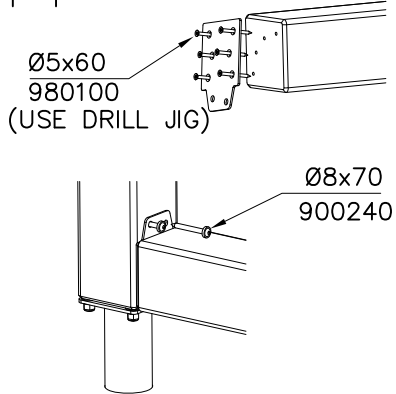
DET 2



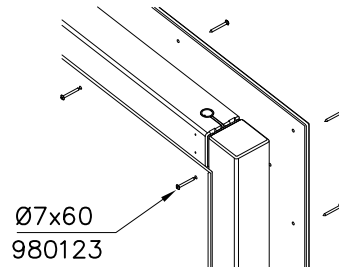
DET 3



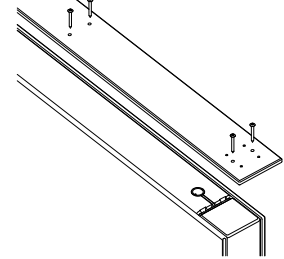
DET 4



DET 5

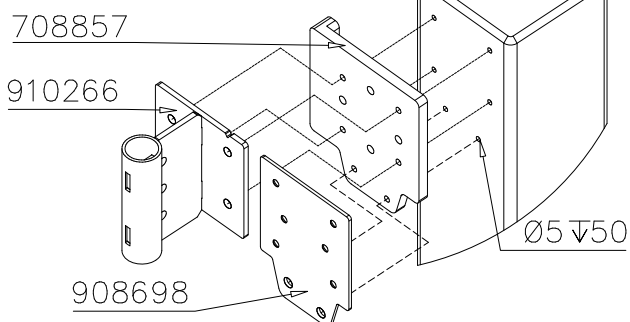


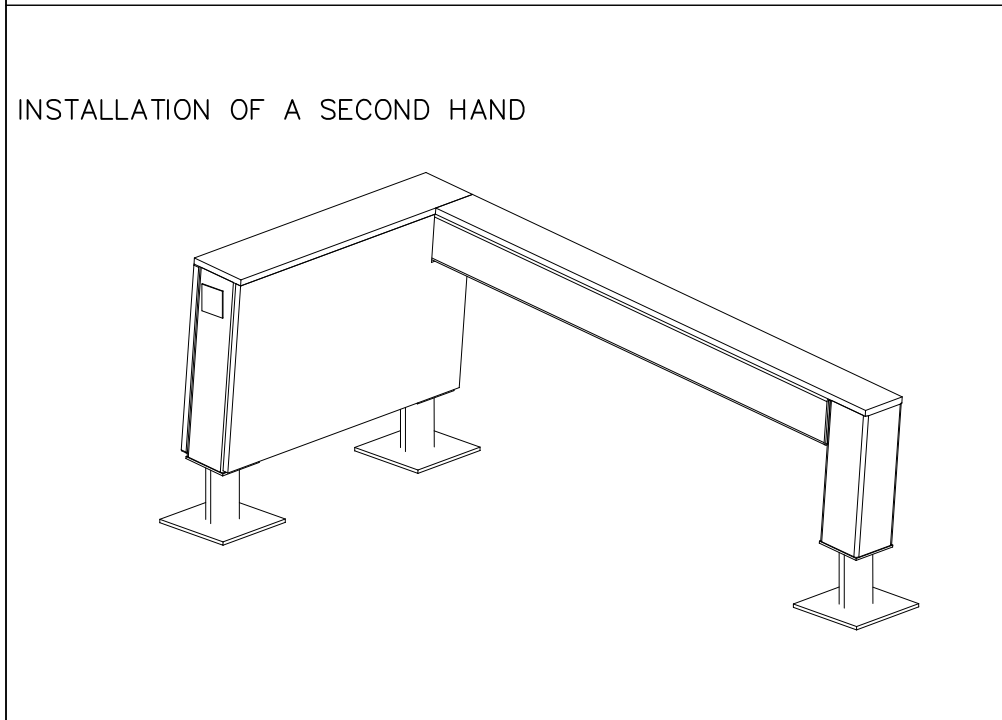
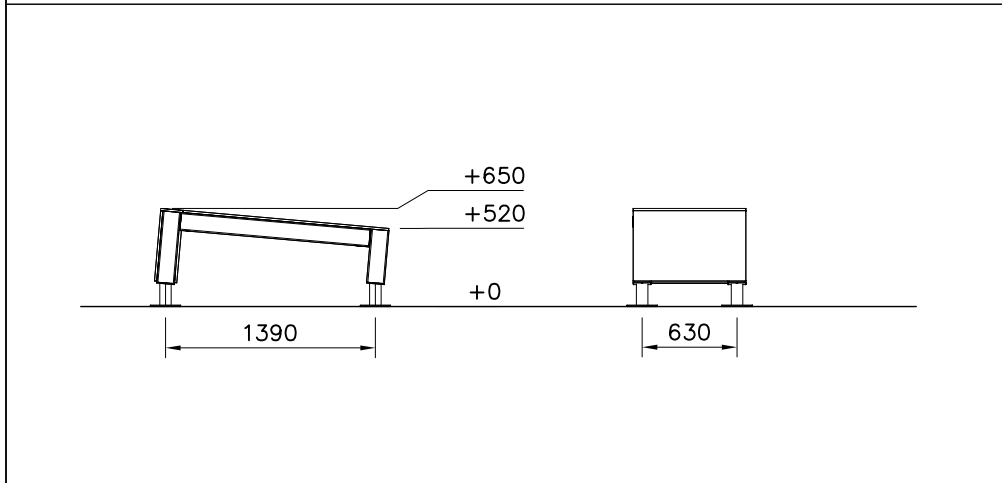
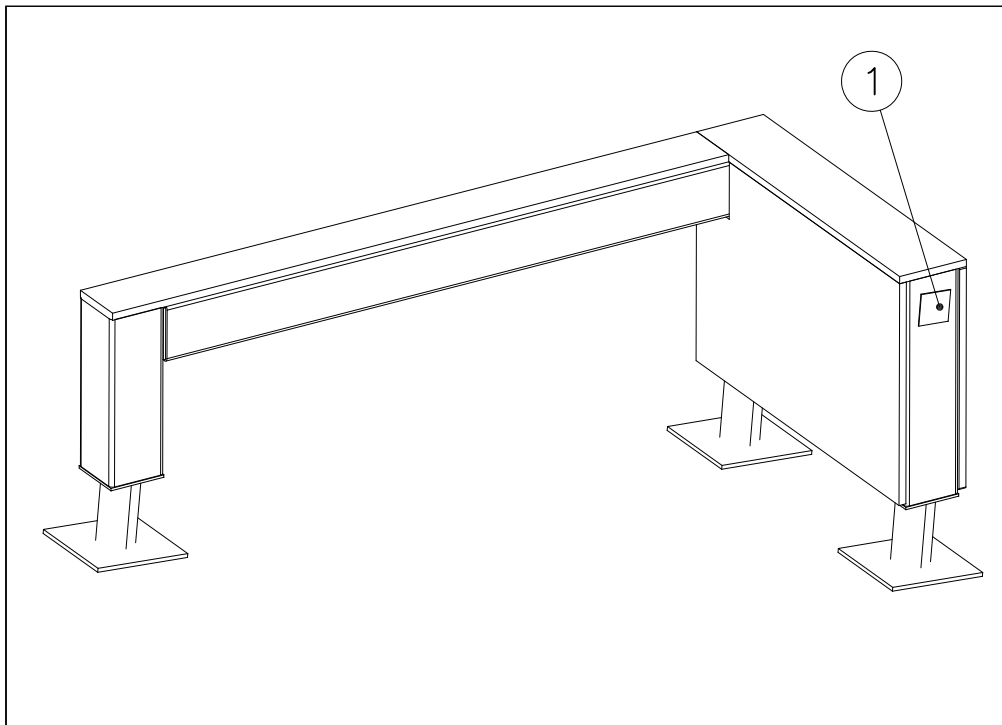
Ø7x60
980123


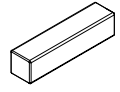

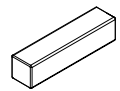
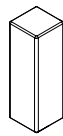
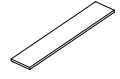

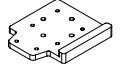
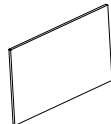




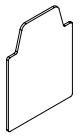
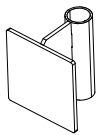
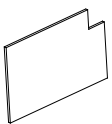





JIG DET A (USE DET 2-4)

NOTE:
Use drill jig 708857
to predrill Ø5 ∇ 50
holes for 910266
and 908698

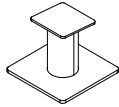
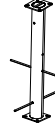




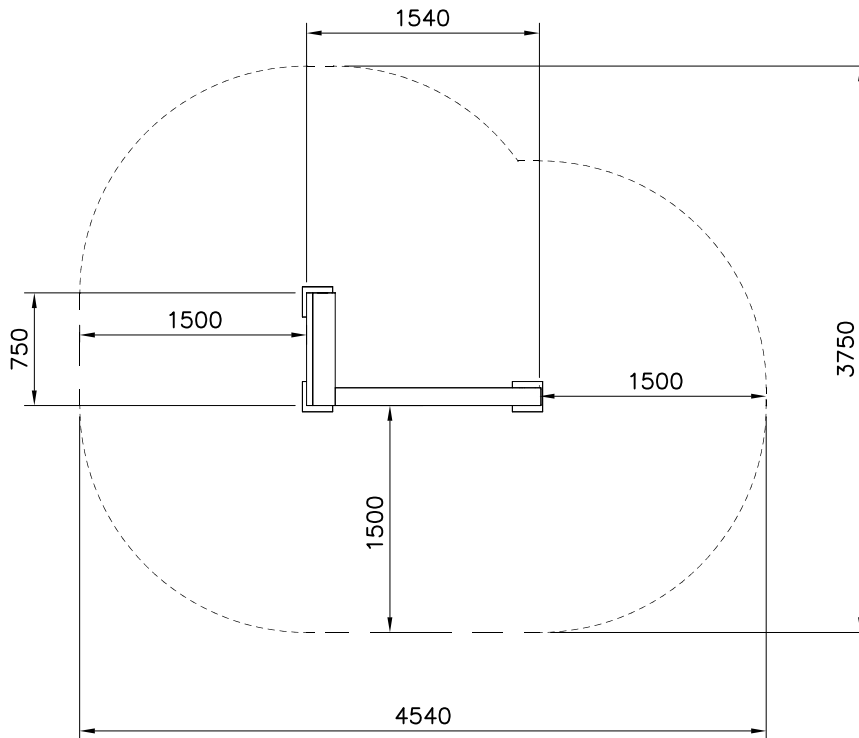
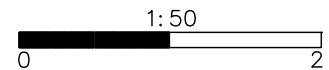
① 702286  65x65	PCS 1	② 707210  118x118x503	PCS 2
③ 707212  118x118x1254	PCS 1	④ 707889  118x118x472	PCS 2
⑤ 708443  118x118x352	PCS 1	⑥ 708733  15x148x745	PCS 1
⑦ 708734  15x118x1365	PCS 1	⑧ 708857 JIG  20x133x149	PCS 1
⑨ 708731  15x466x745	PCS 1	⑩ 900240  Ø8x70	PCS 16
⑪ 903093  Ø8x90	PCS 4	⑫ 905103  PT-28/32-H	PCS 2
⑬ 905112  Ø22	PCS 4	⑭ 908698  3x114x108	PCS 4
⑮ 910266  90x108x118	PCS 2	⑯ 708732  15x466x745	PCS 1

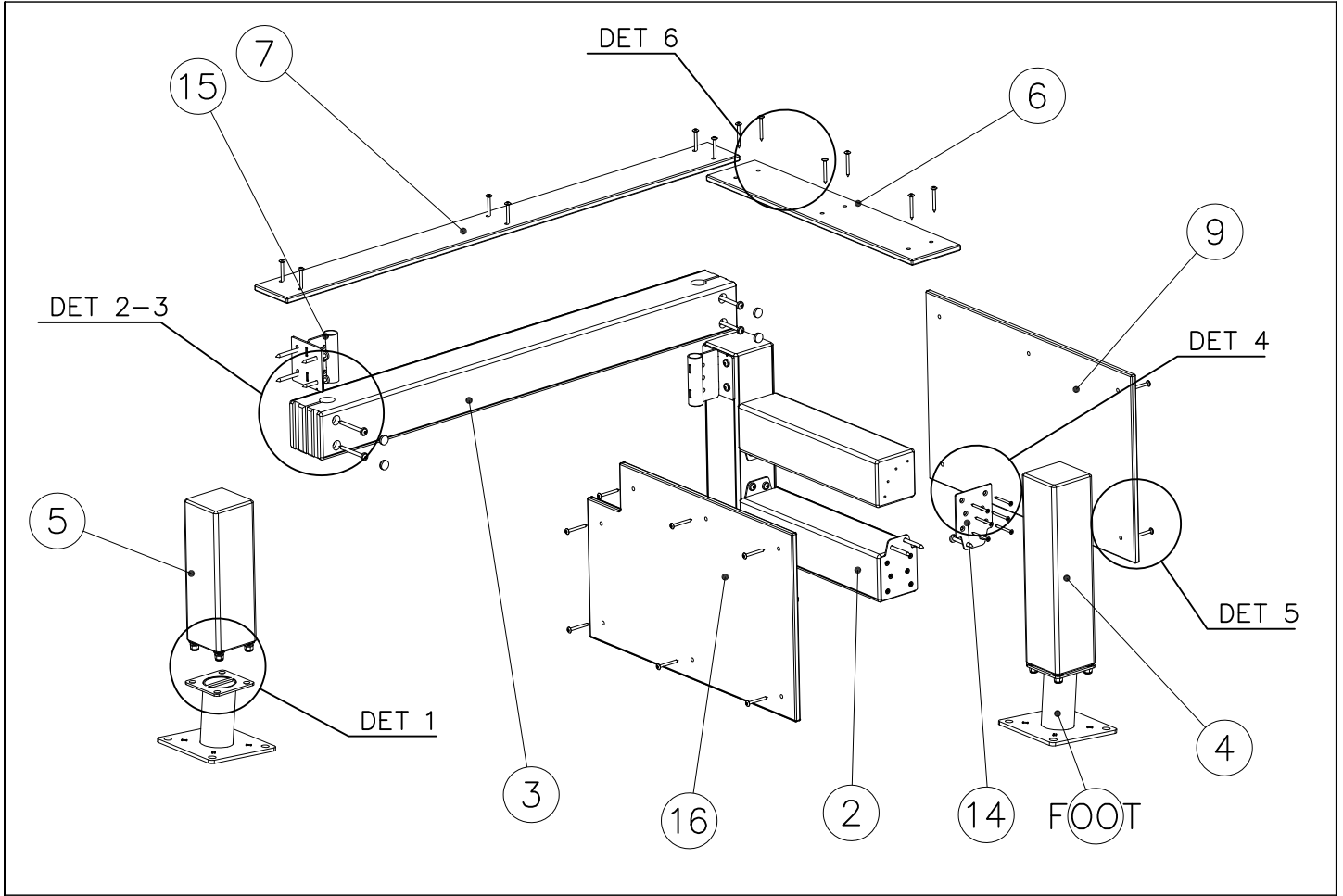
17	980100	PCS	18	980114	PCS	19	980123	PCS
		28			4			25
								
Ø5x60			Ø4x20			Ø7x60		

FOOT OPTIONS

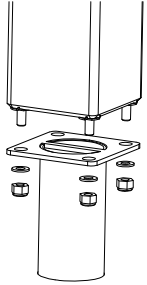
709261+		709262+	
○ 910267	PCS	○ 910567	PCS
SURFACE	3	CONCRETE	3
			
152x200x200		117x117x715	

----- Falling Space 13.8 m²
Max Falling Height 650 mm

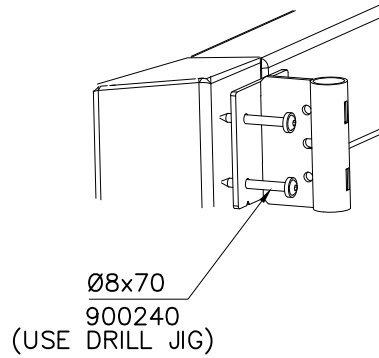




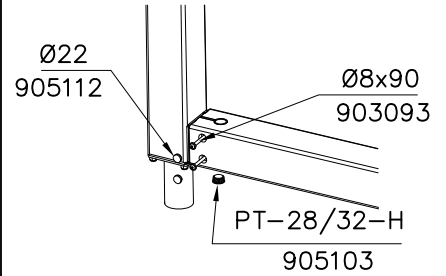
DET 1



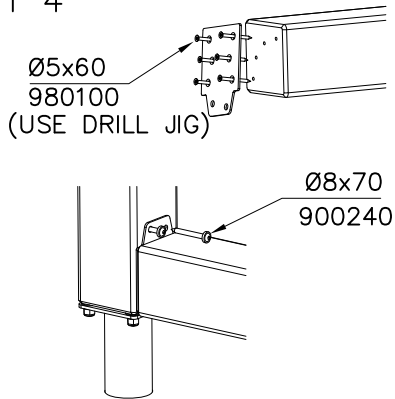
DET 2



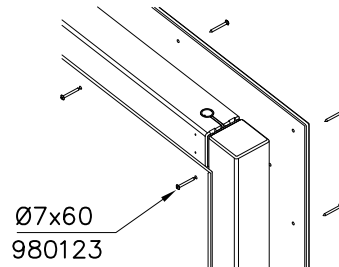
DET 3



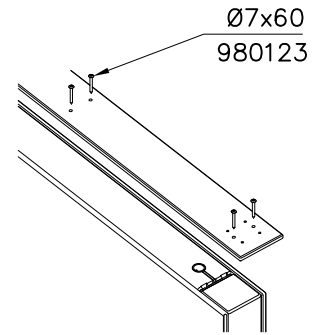
DET 4



DET 5

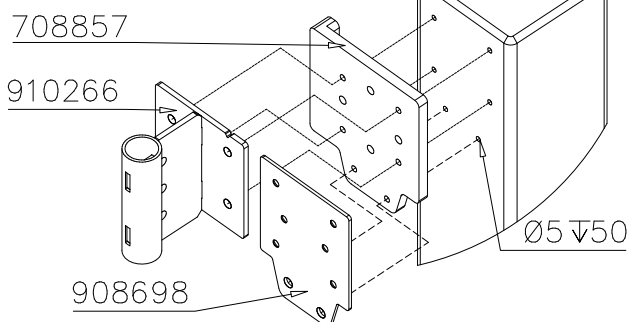


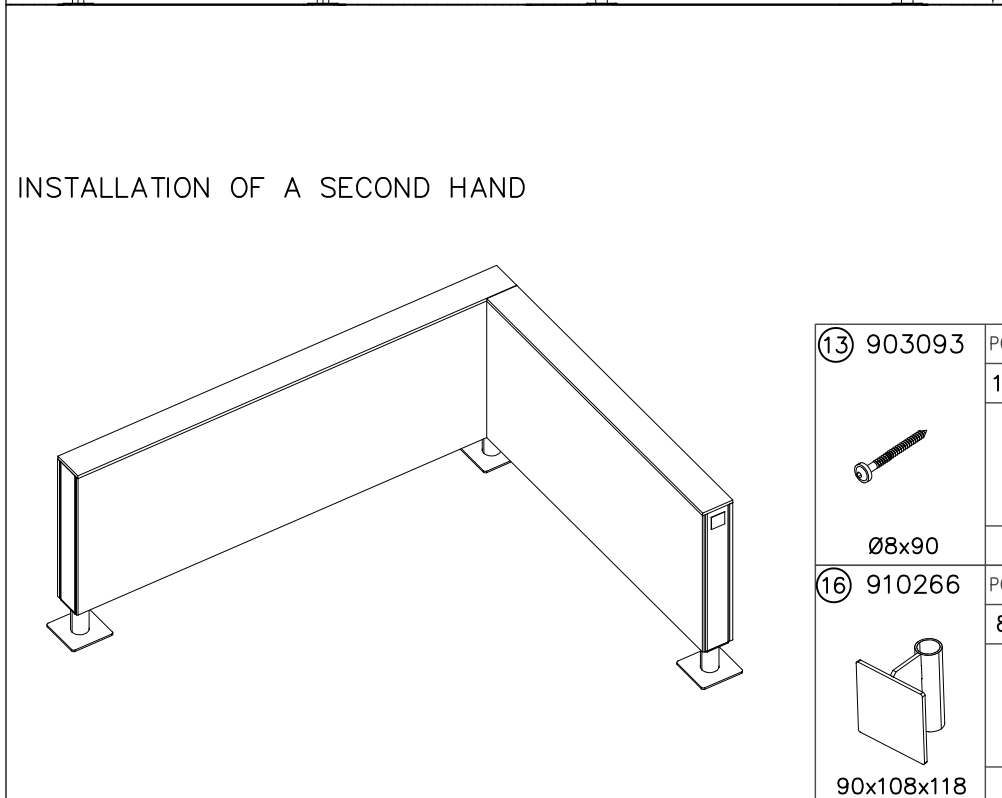
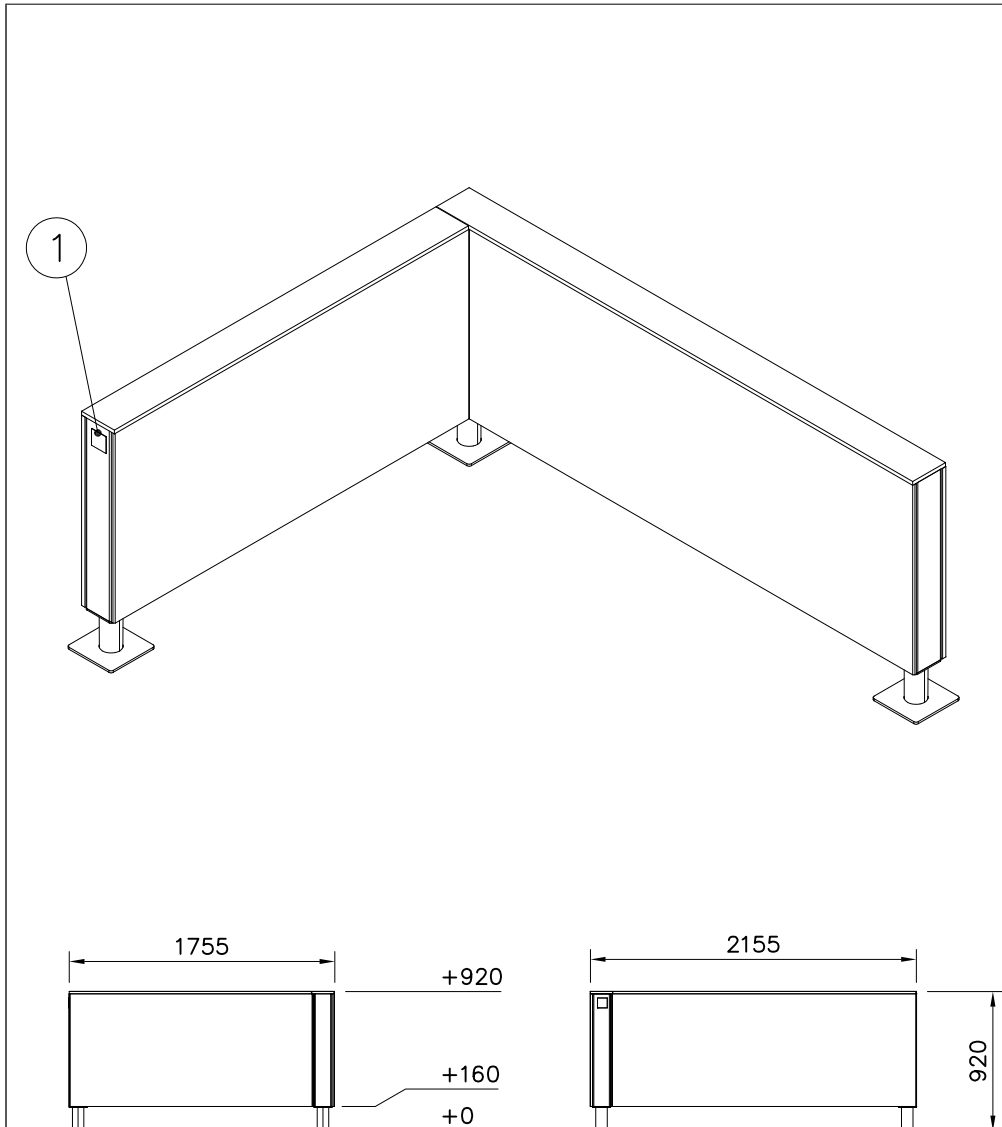
DET 6



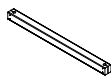


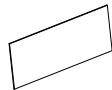

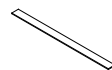
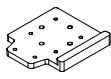
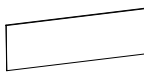





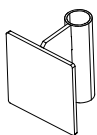




JIG DET A (USE DET 2-4)

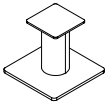
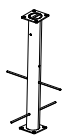
NOTE:
Use drill jig 708857
to predrill Ø5 ∇ 50
holes for 910266
and 908698



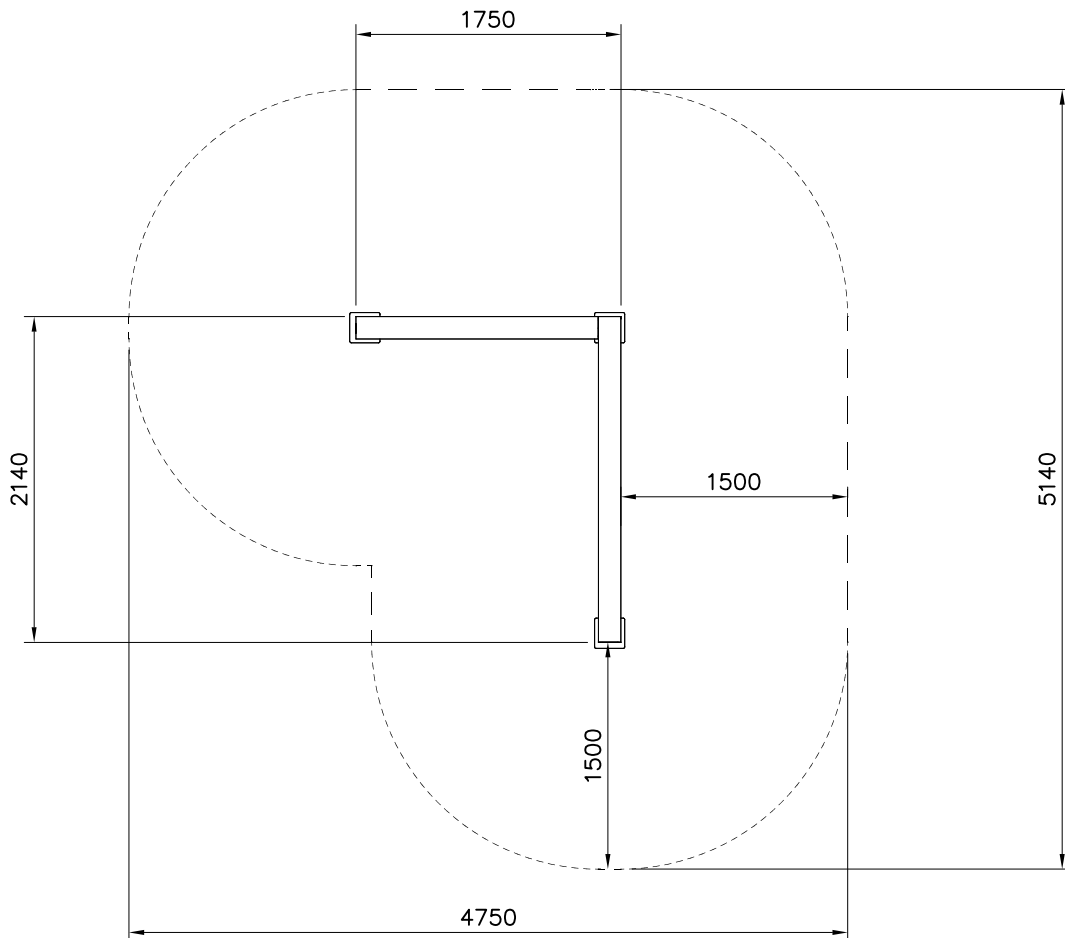
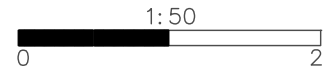


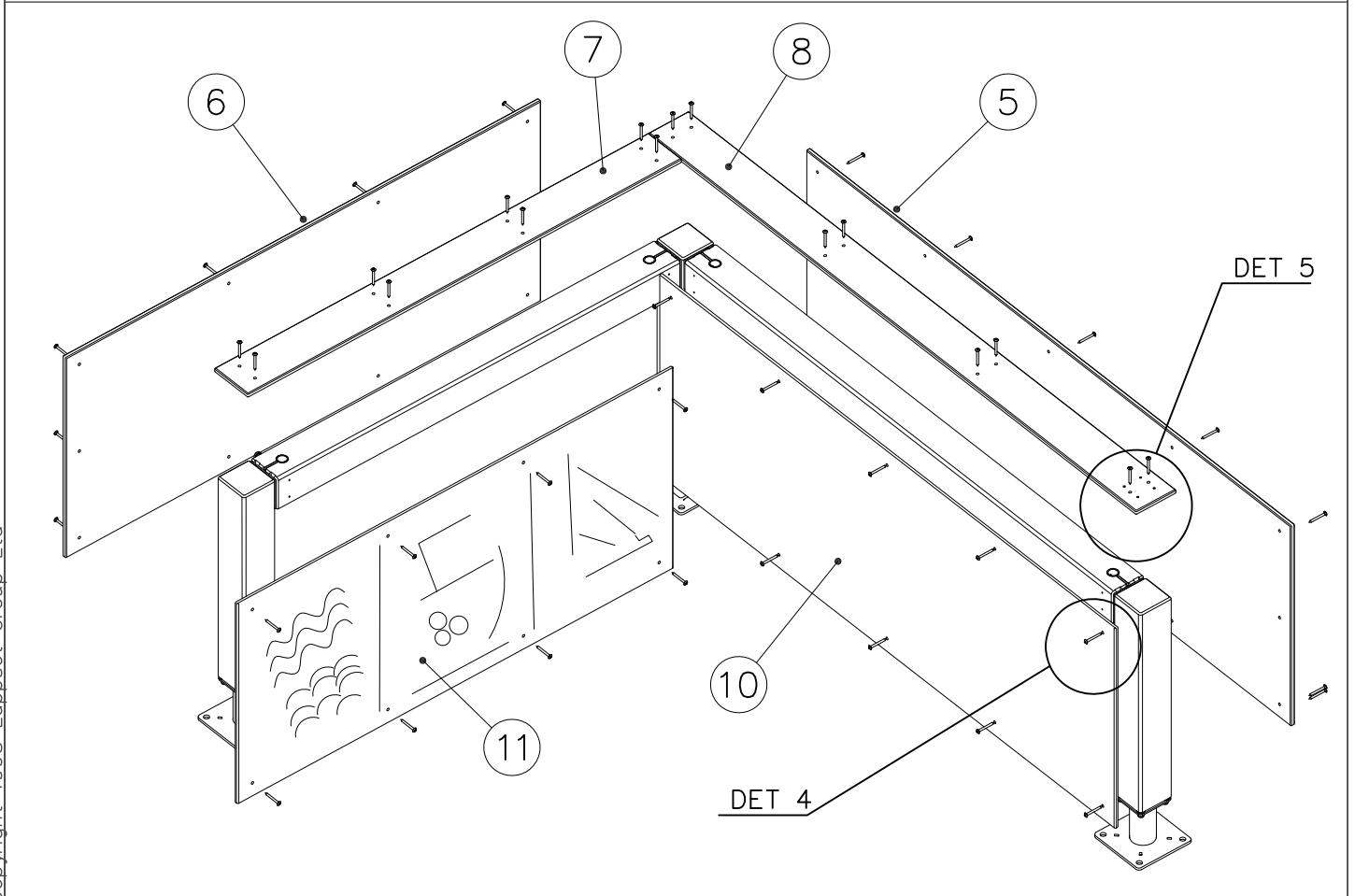
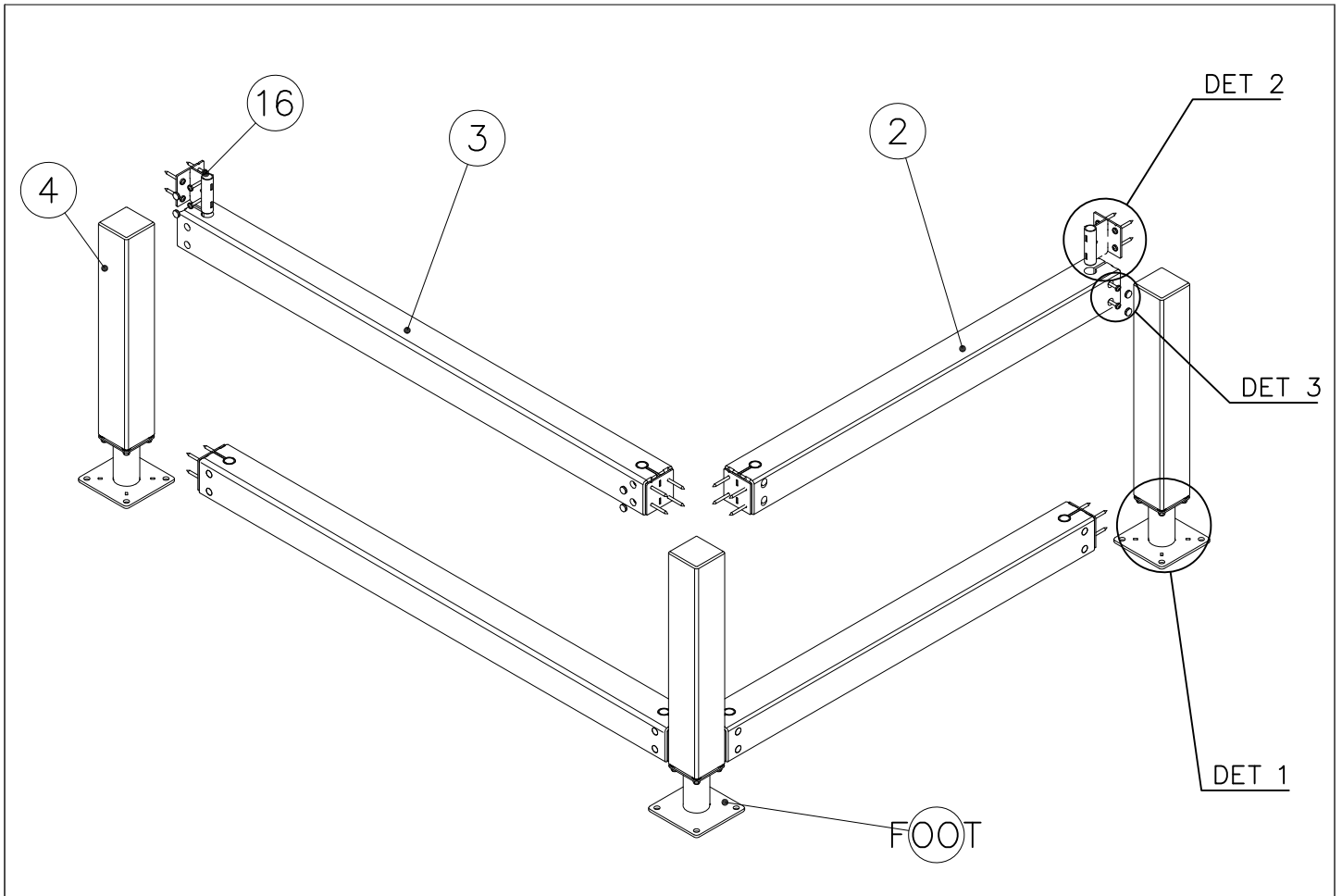
① 702286  65x65	PCS 1	② 707213  118x118x1490	PCS 2
③ 707517  118x118x1892	PCS 2	④ 708137  118x118x745	PCS 3
⑤ 708715  15x745x2140	PCS 1	⑥ 708716  15x745x1753	PCS 1
⑦ 708737  15x148x1601	PCS 1	⑧ 708738  15x148x2153	PCS 1
⑨ 708857 JIG  20x133x149	PCS 1	⑩ 911309 COLOR  12x745x2015	PCS 1
⑪ 911311 MURAL  12x745x1610	PCS 1	⑫ 900240  Ø8x70	PCS 32
⑬ 903093  Ø8x90	PCS 16	⑭ 905103  PT-28/32-H	PCS 8
⑮ 905112  Ø22	PCS 16	⑯ 901266  90x108x118	PCS 8
⑰ 980123  Ø7x60	PCS 56	⑱ 980114  Ø4x20	PCS 4

FOOT OPTIONS

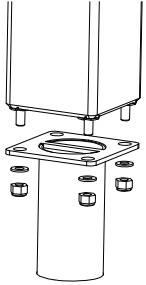
709261+		709262+	
○ 910330	PCS	○ 910567	PCS
SURFACE	3	CONCRETE	3
			
152x200x200		117x117x715	

----- Falling Space 18.8 m²
 Max Falling Height 920 mm

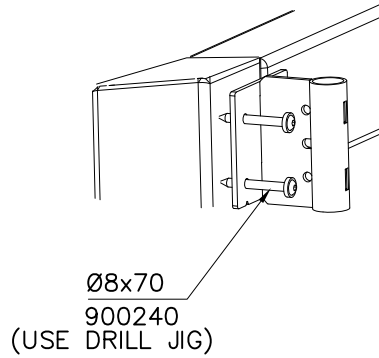




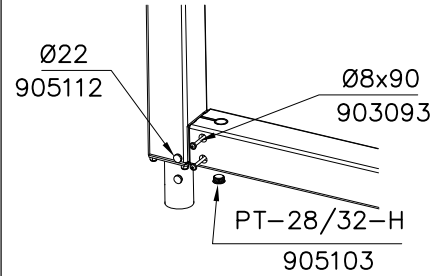
DET 1



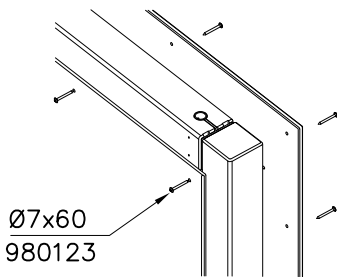
DET 2



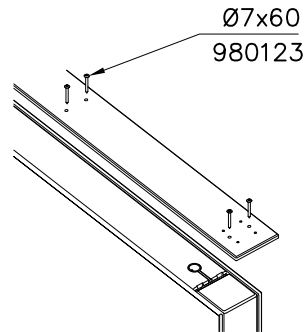
DET 3



DET 4

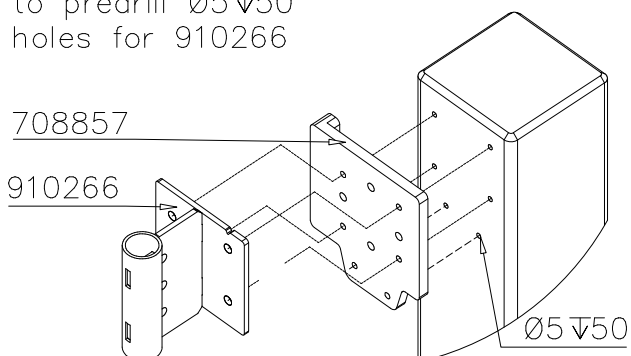


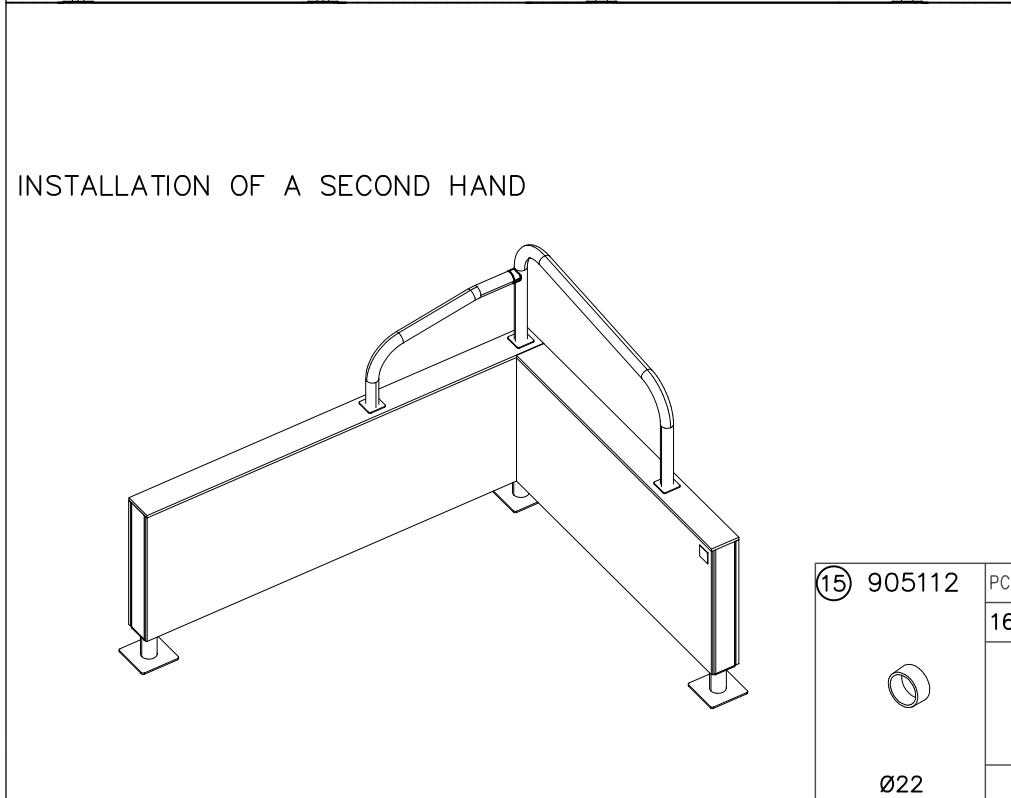
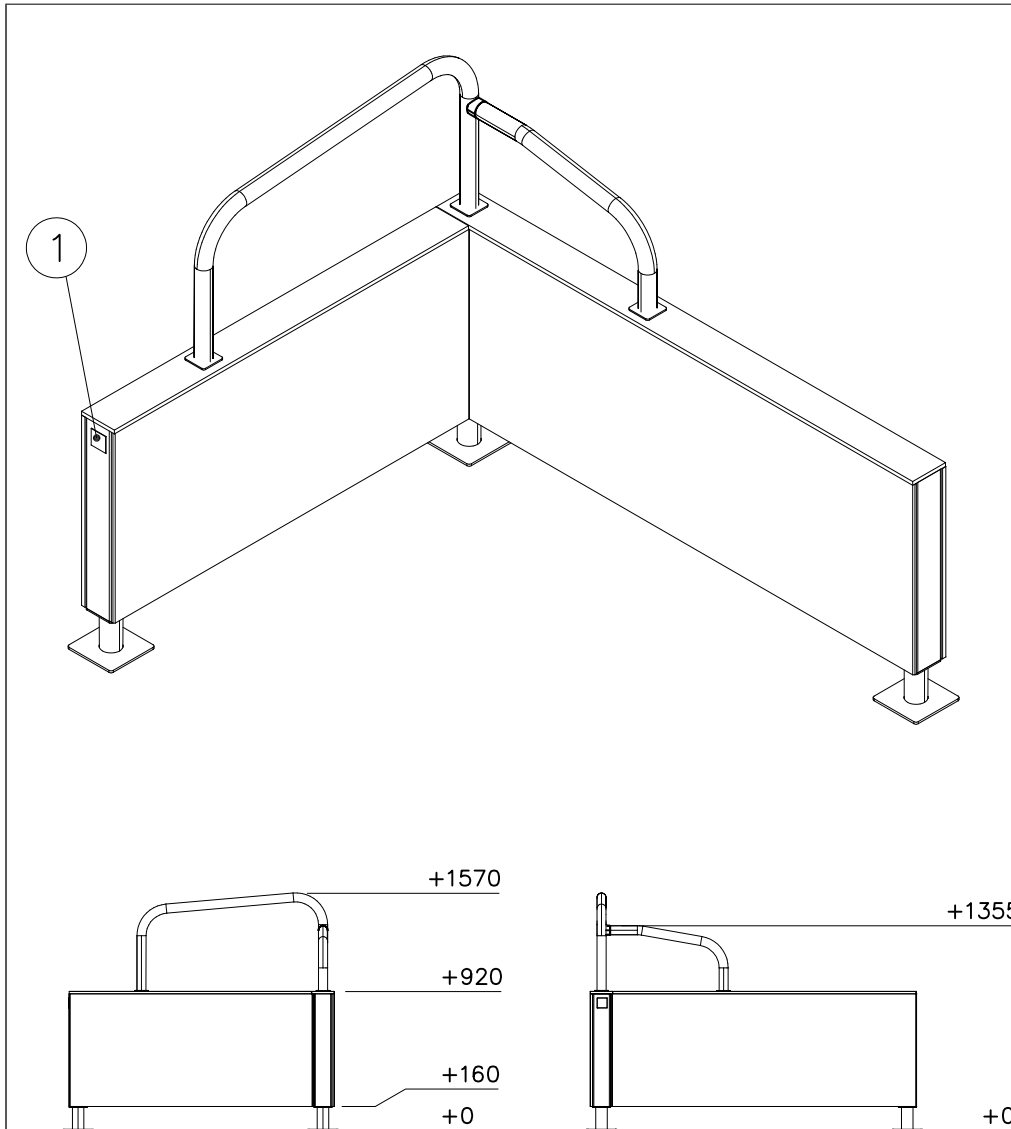
DET 5



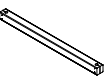
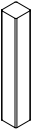
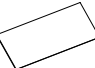


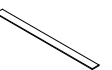
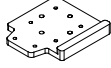




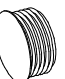

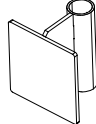




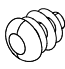
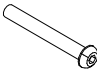
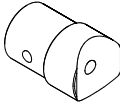
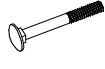




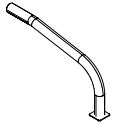
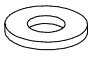
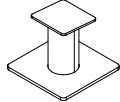

JIG DET A (USE DET 2)

NOTE:
Use drill jig 708857
to predrill $\text{Ø}5 \nabla 50$
holes for 910266

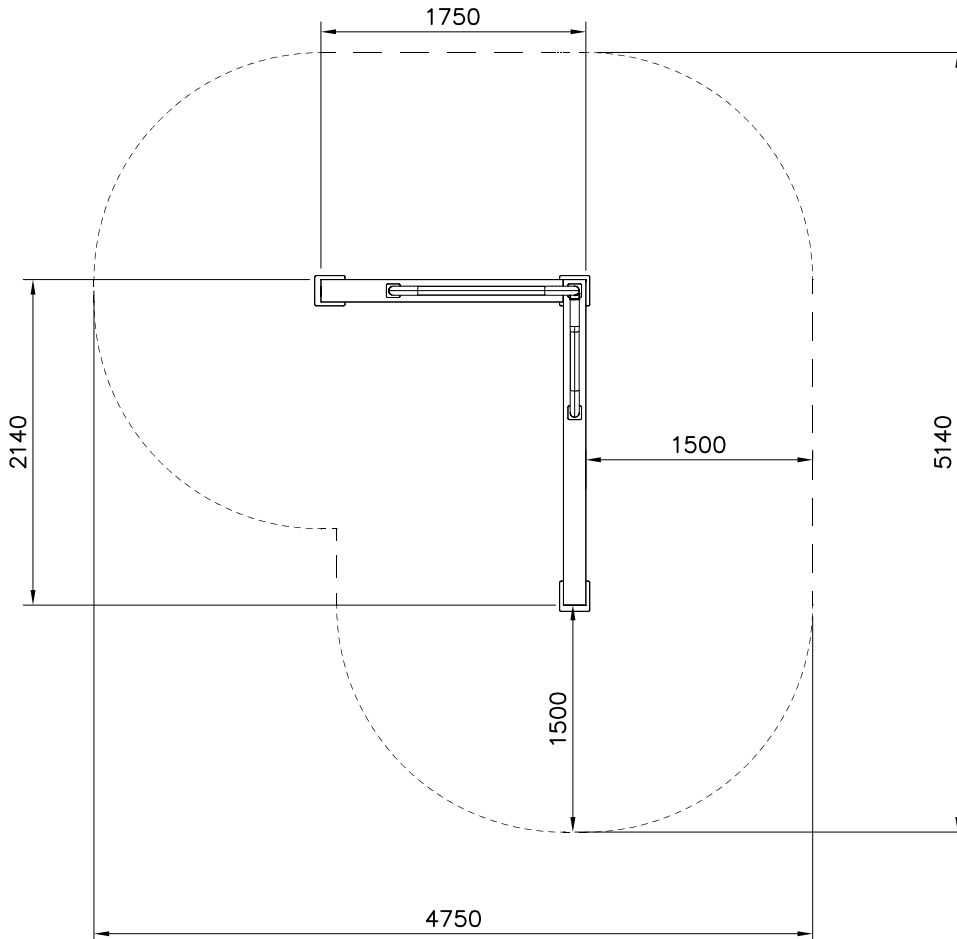
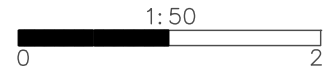


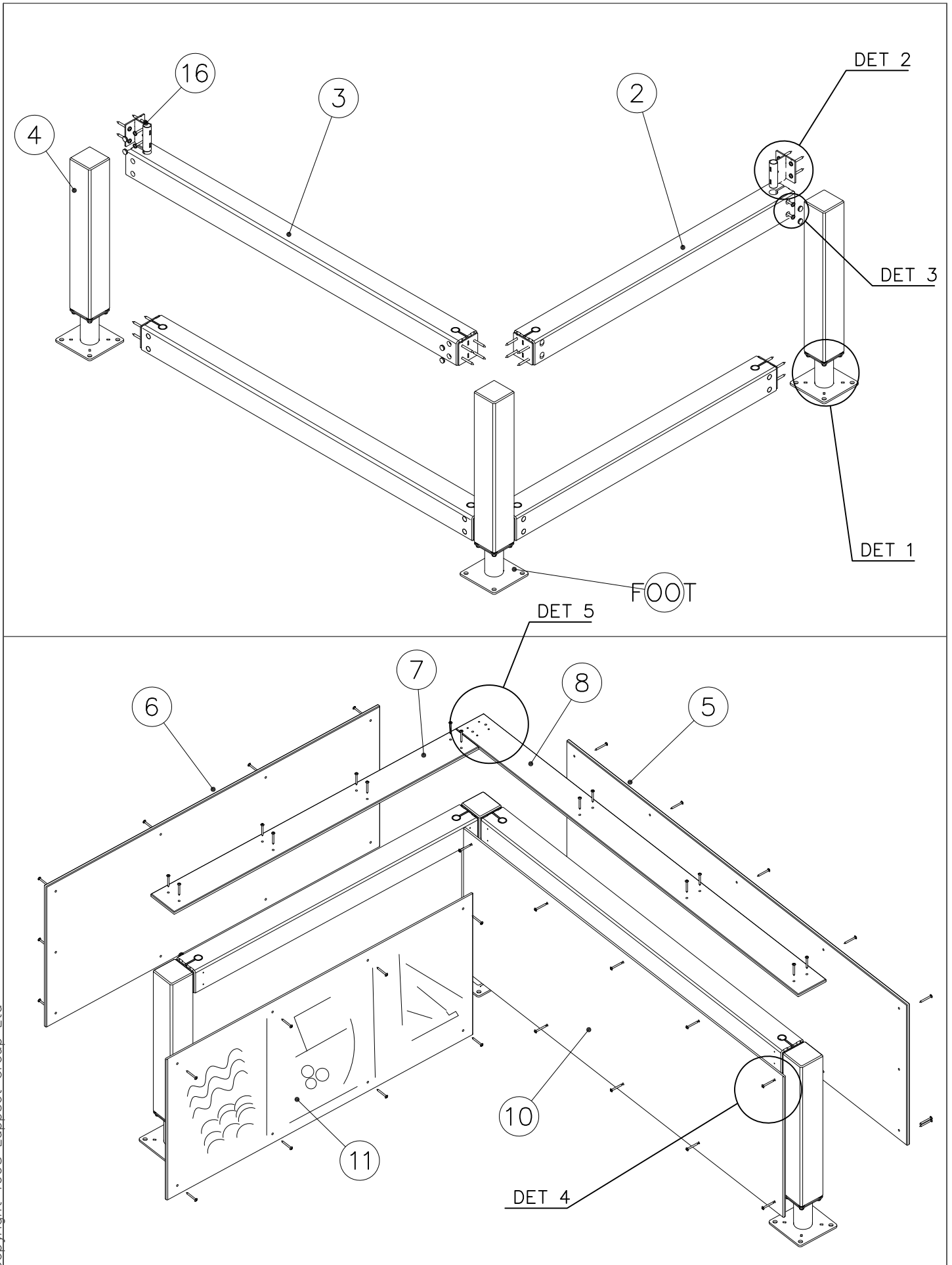


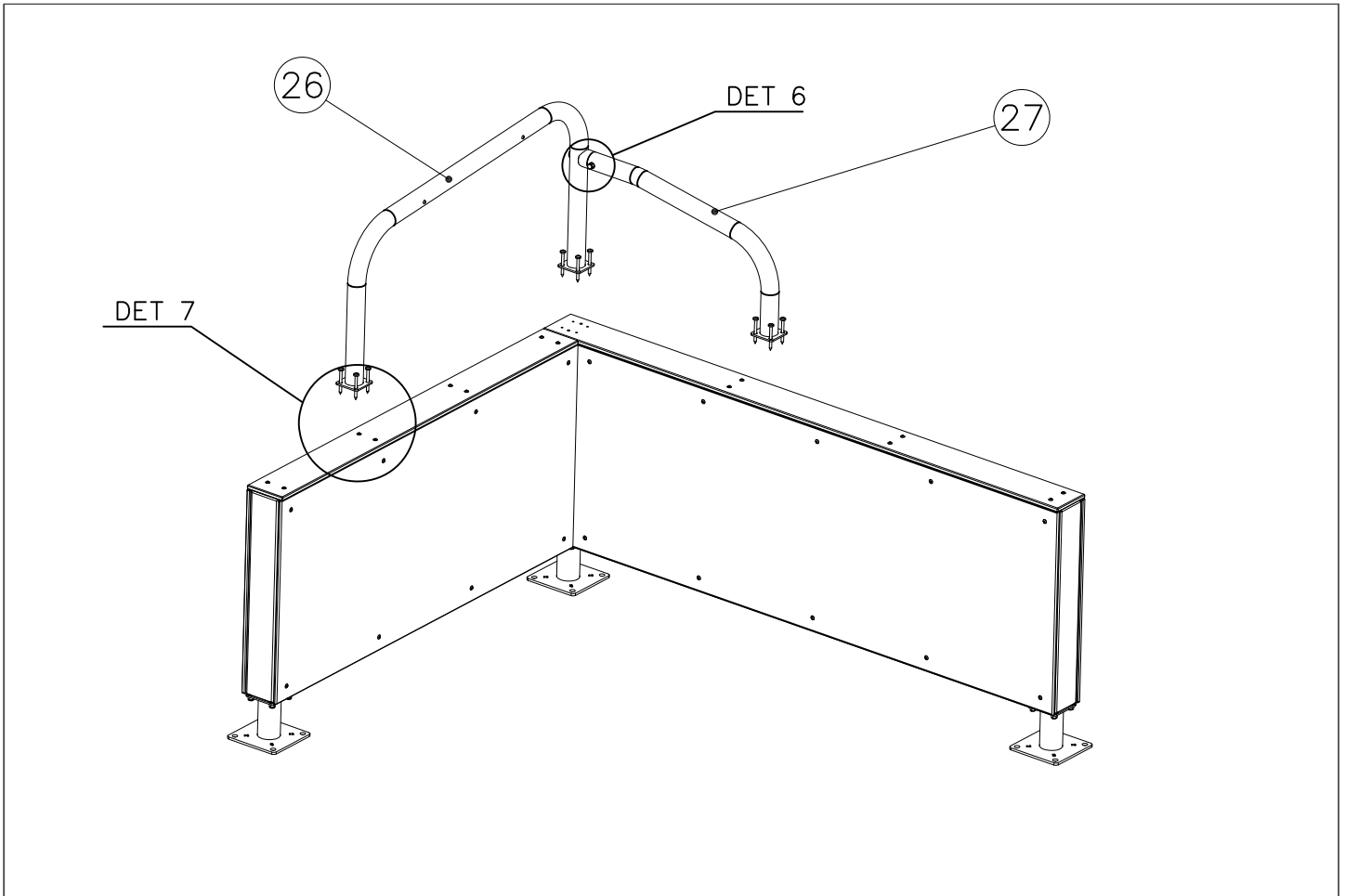
① 702286  65x65	PCS 1	② 707213  118x118x1490	PCS 2
③ 707517  118x118x1892	PCS 2	④ 708137  118x118x745	PCS 3
⑤ 708715  15x745x2140	PCS 1	⑥ 708716  15x745x1753	PCS 1
⑦ 708737  15x148x1601	PCS 1	⑧ 708738  15x148x2153	PCS 1
⑨ 708857 JIG  20x133x149	PCS 1	⑩ 911309 COLOR  12x745x2015	PCS 1
⑪ 911311 MURAL  12x745x1610	PCS 1	⑫ 900240  Ø8x70	PCS 32
⑬ 903093  Ø8x90	PCS 28	⑭ 905103  PT-28/32-H	PCS 8
⑮ 905112  Ø22	PCS 16	⑰ 910266  90x108x118	PCS 8
		⑱ 980123  Ø7x60	PCS 54

18 900965  M10	PCS 1	19 903533  SRL12	PCS 4	20 904133  M10x80	PCS 1	21 908069  Ø60x87.6	PCS 1	22 909111  M12x100	PCS 1	23 909248  M12	PCS 1	24 980114  Ø4x20	PCS 4
25 909638  Ø20/10.5	PCS 4	26 910254  Ø60x650x1290	PCS 1	27 910262  Ø60x435x795	PCS 1	28 980154  Ø24/13	PCS 1	FOOT OPTIONS 709261+ 709262+					
		910330 SURFACE  152x200x200		PCS 3	910567 CONCRETE  117x117x715		PCS 3						

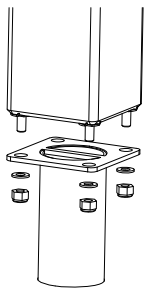
----- Falling Space 18.8 m²
 Max Falling Height 1570 mm



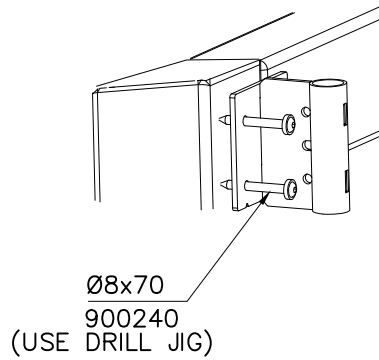




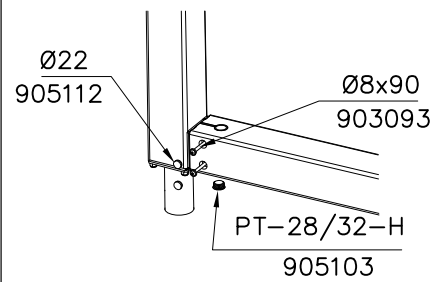
DET 1



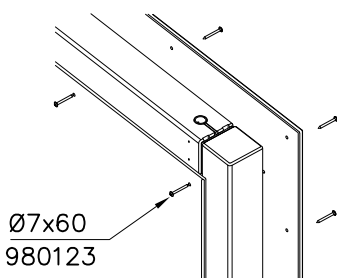
DET 2



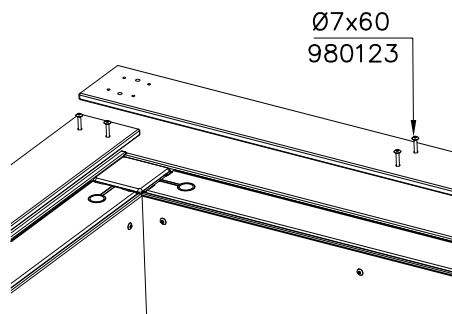
DET 3



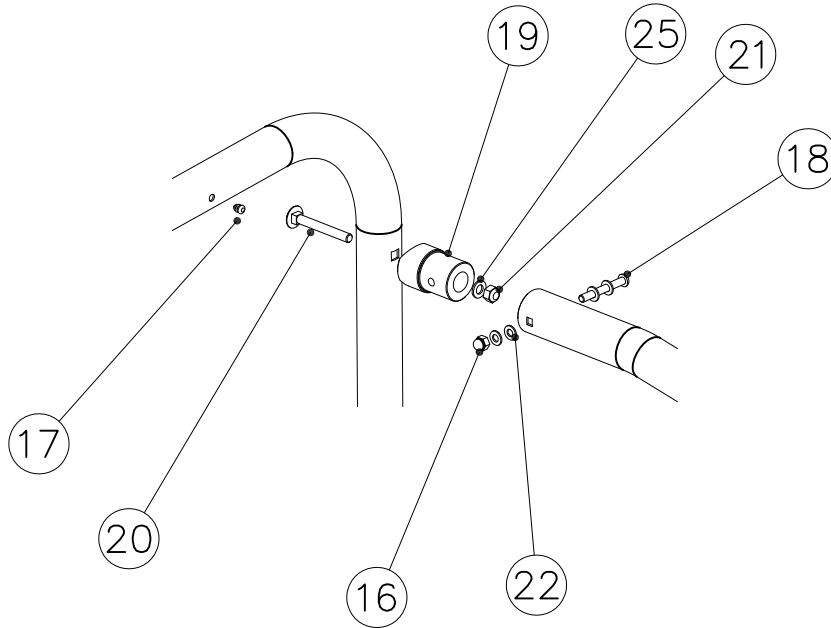
DET 4



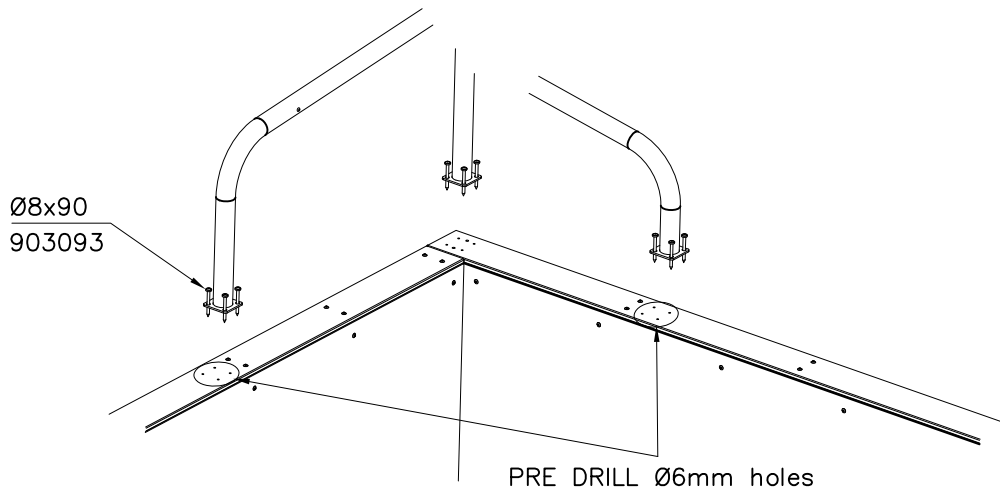
DET 5



DET 6

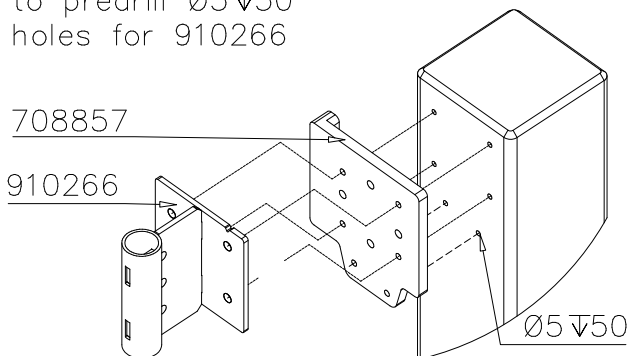


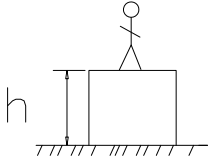
DET 7



JIG DET A (USE DET 2)

NOTE:
Use drill jig 708857
to predrill $\text{Ø}5 \nabla 50$
holes for 910266





$h < 1600$

Totally hard surfaces or materials with very limited impact attenuating properties.

Case by case risk assessment is needed including e.g. evaluation whether there is forced movement, what is the intended exercise and where will the product be installed.

Materials with significant impact attenuating properties.

Totally hard surfaces.
E.g. concrete or asphalt



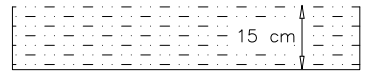
Materials with very limited impact attenuating properties.
E.g. wood



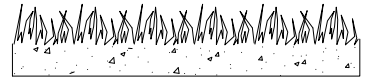
fine gravel 0–8 mm



Unsorted sand/ topsoil



Lawn

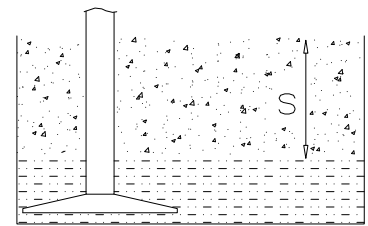


$h = 1600-$

$h < 3000$

Loose fill material

E.g.
sand/gravel 0,25...8 mm $D_{60}/D_{10} < 3,0$
Woodchips 5...30 mm
bark 20...80 mm



\underline{S}
30 cm \underline{h}
 < 3,0 m

Synthetic granulates

\underline{S}	\underline{h}
40 mm	~> 1,6...~< 1,8 m
50 mm	~> 1,8...~< 2,25 m
55 mm	~> 2,25...~< 2,4 m
60 mm	~> 2,4...~< 2,55 m
70 mm	~> 2,55...~< 3,0 m

Note. For accurate values, see manufacturer's instructions.

