

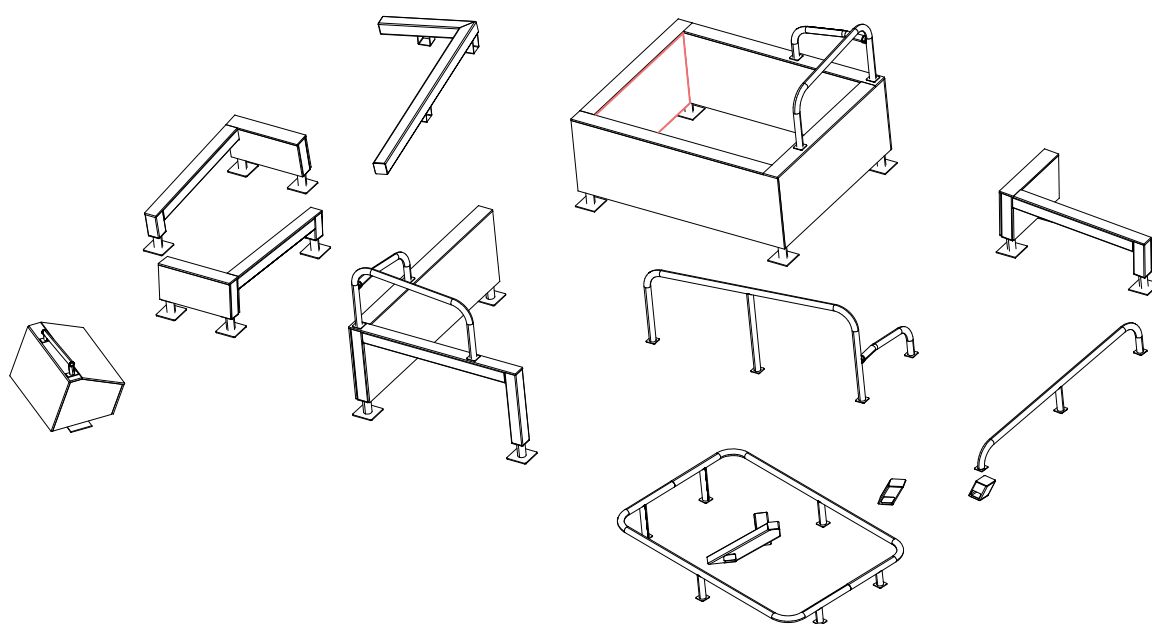
LAPPSET®

DASH PARKOUR

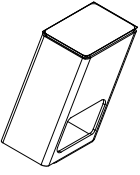

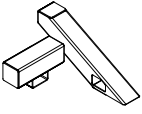

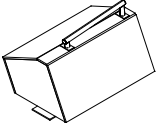



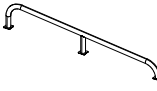

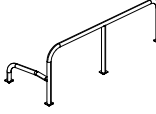

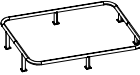
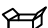
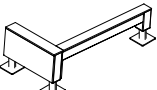

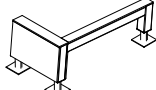

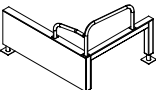
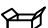
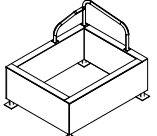

ASENNUSOHJE
MONTERINGSANSVISNING
INSTALLATION INSTRUCTION
AUFBAUANLEITUNG
NOTICE D'INSTALLATION

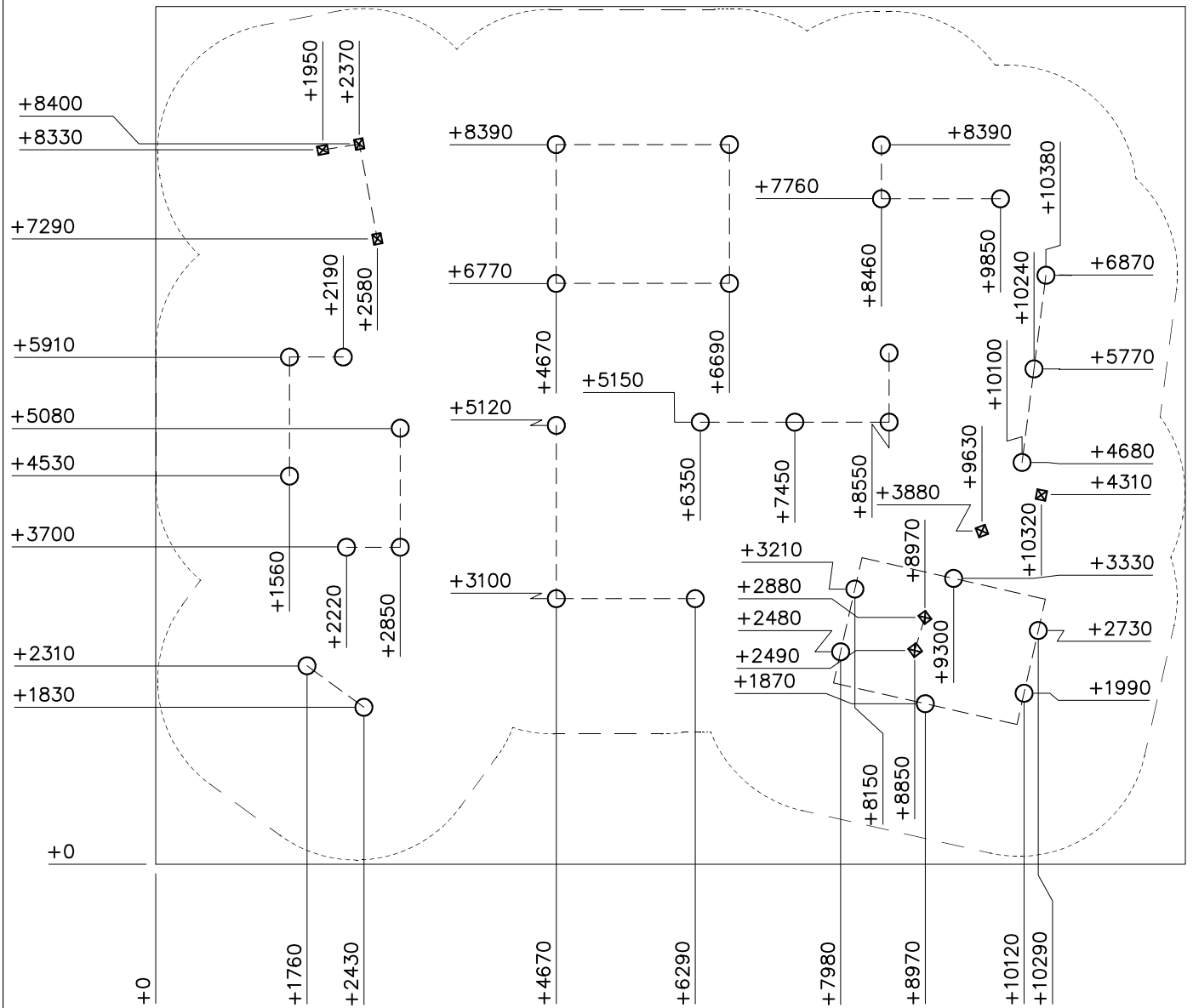
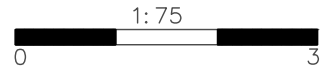
DATE: 13.11.2019

081783M

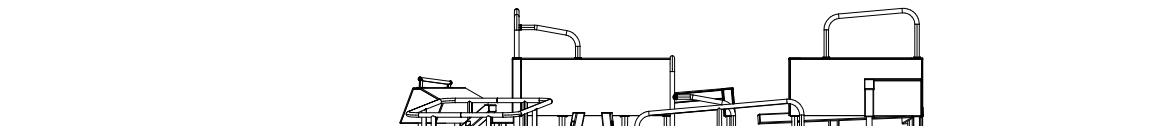
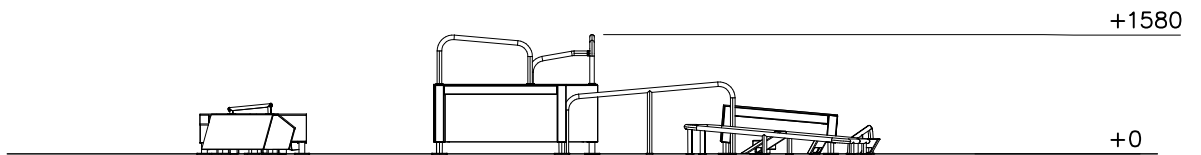
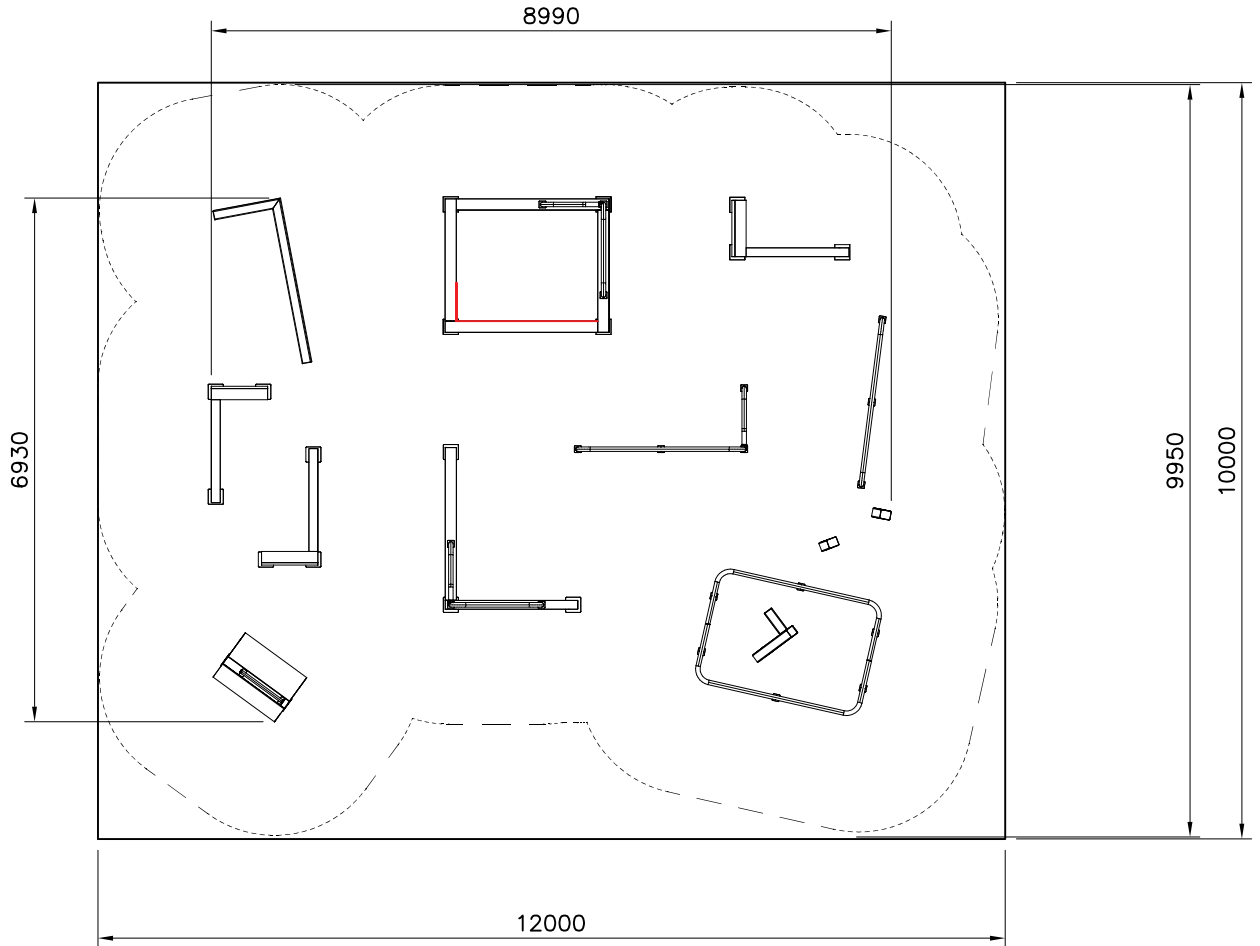
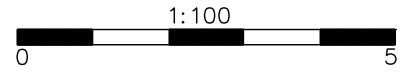


DATE: 13.11.2019

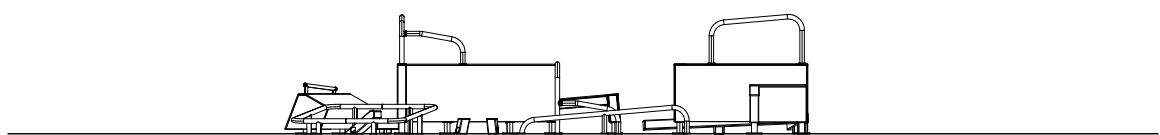
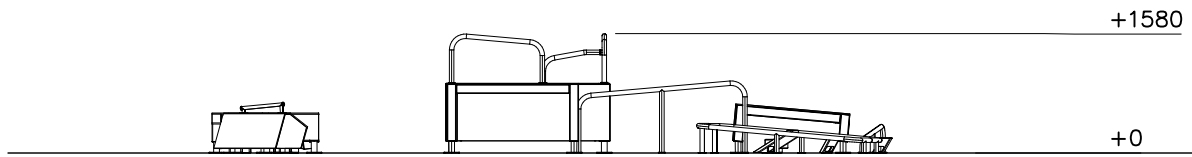
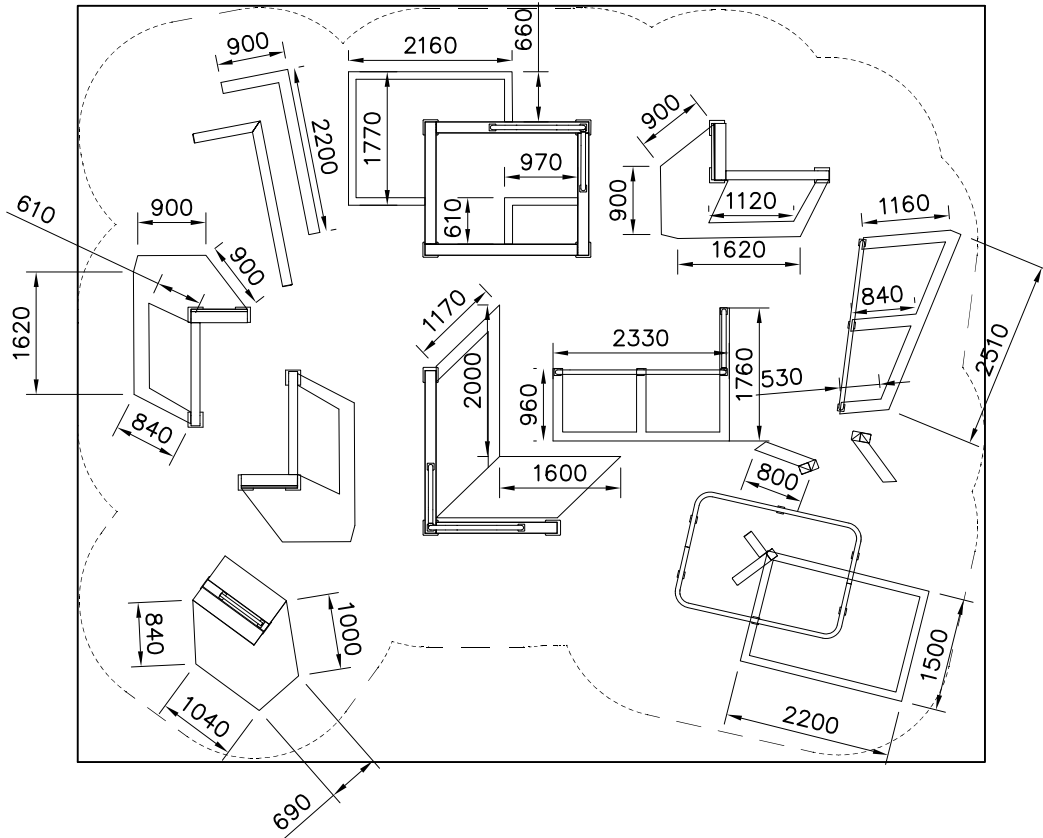
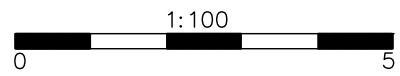
081700M  	PCS 2	081701M  	PCS 1	081702M  	PCS 1	081703M  	PCS 1	081710M  	PCS 1	081712M  	PCS 1
081713M  	PCS 1	081720M  	PCS 2	081721M  	PCS 1	081727  	PCS 1	081728M  	PCS 1		PCS
	PCS		PCS		PCS		PCS		PCS		PCS
	PCS		PCS		PCS		PCS		PCS		PCS
	PCS		PCS		PCS		PCS		PCS		PCS
	PCS		PCS		PCS		PCS		PCS		PCS
	PCS		PCS		PCS		PCS		PCS		PCS

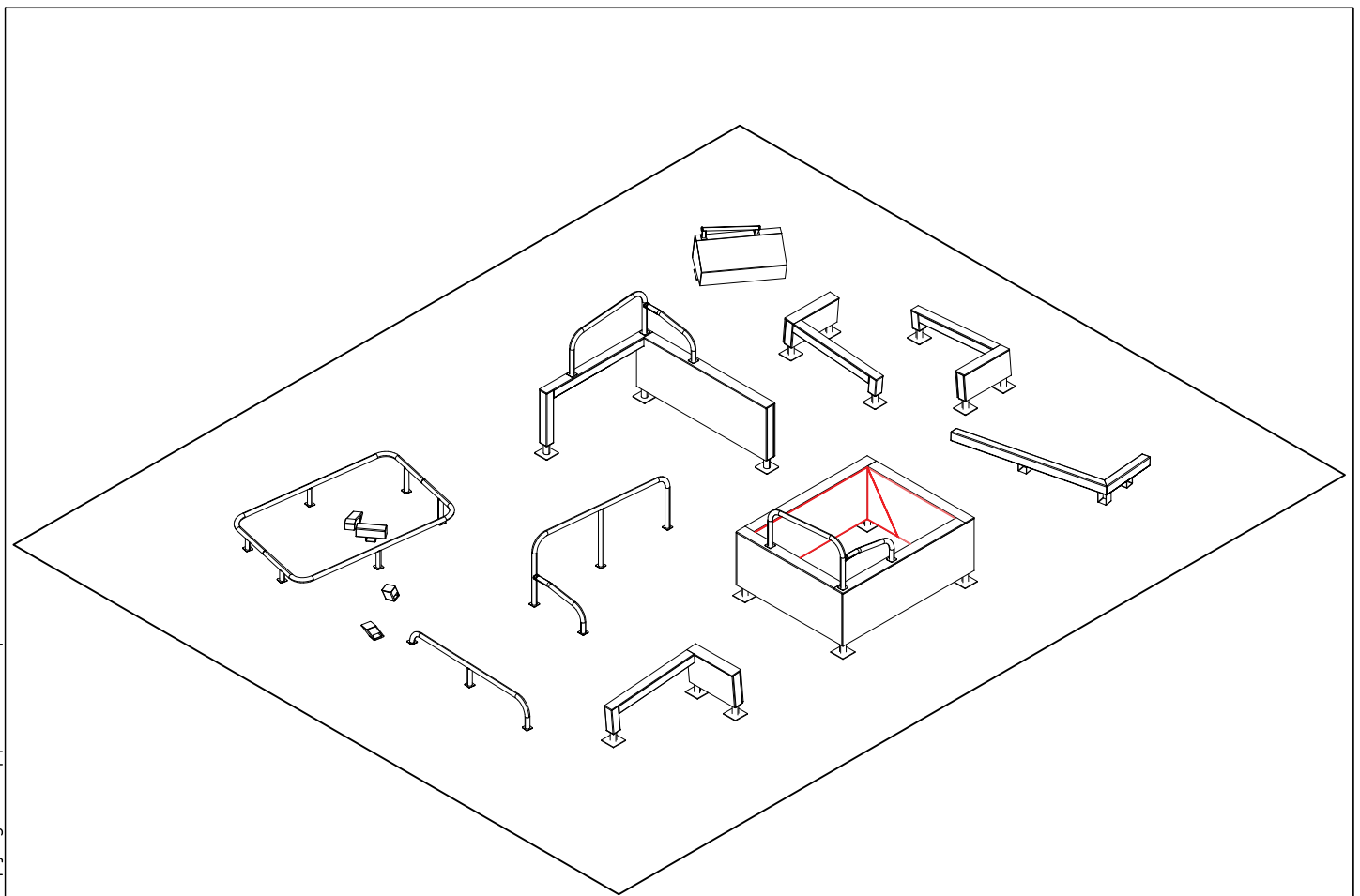
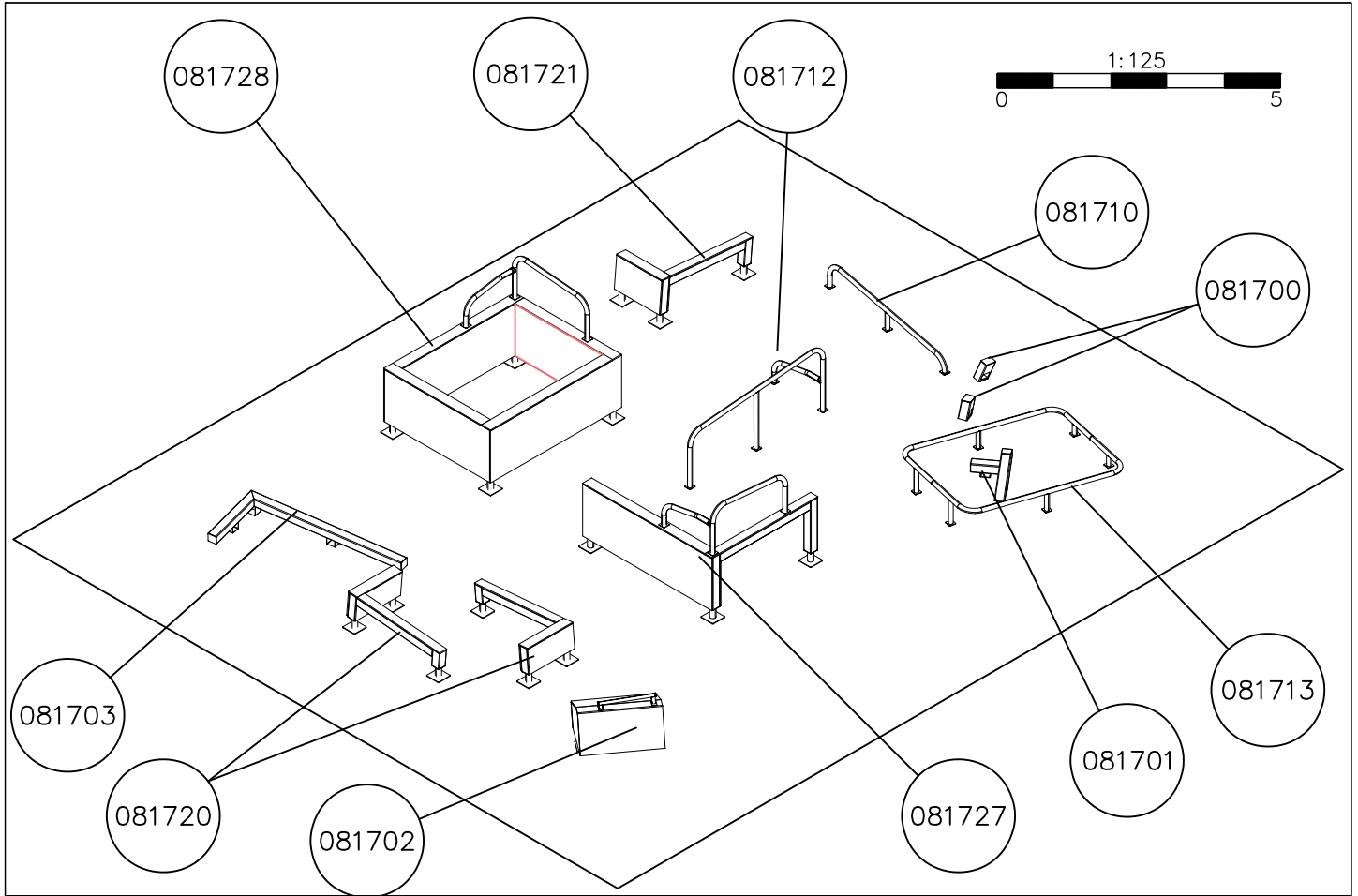


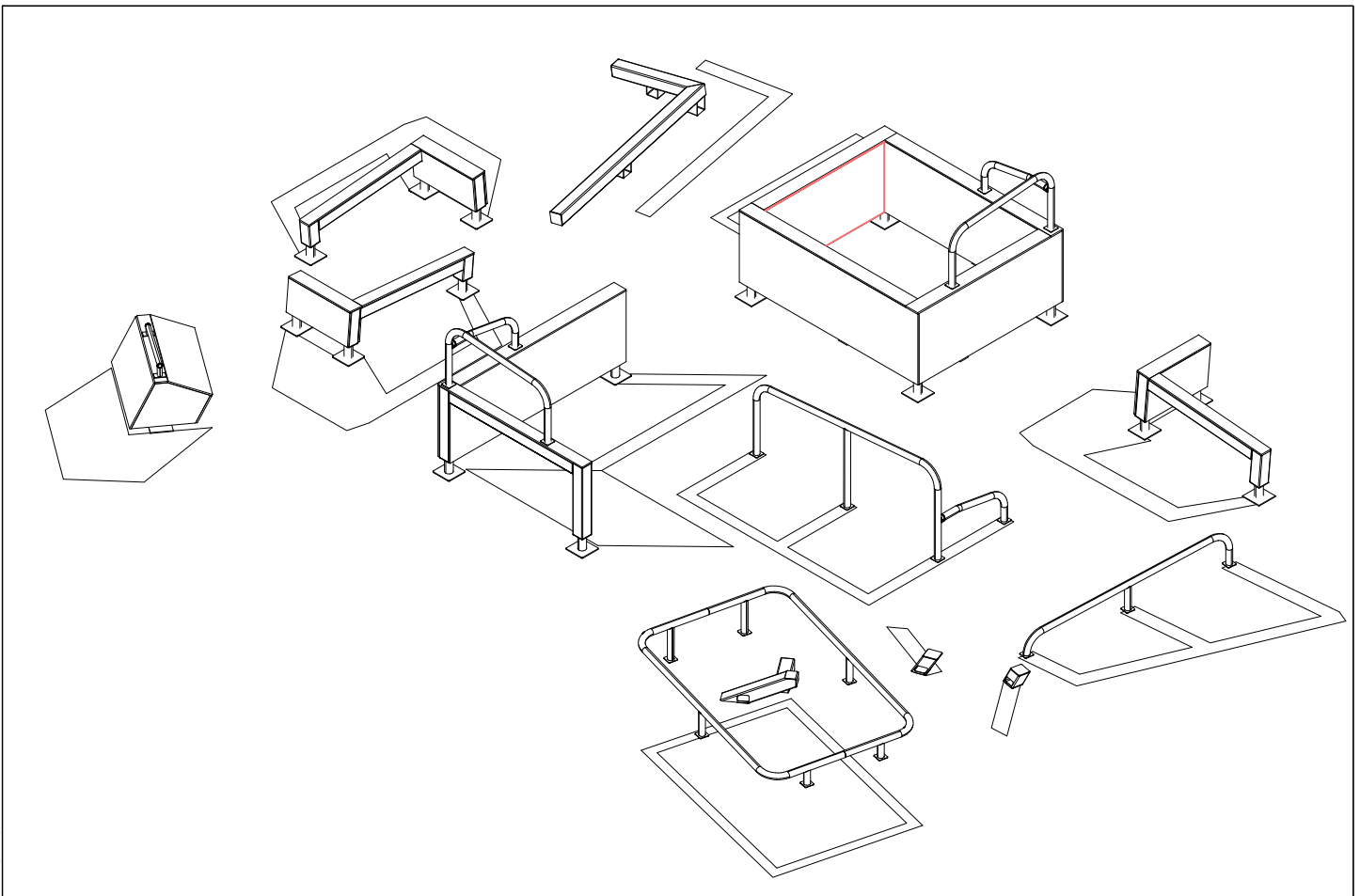
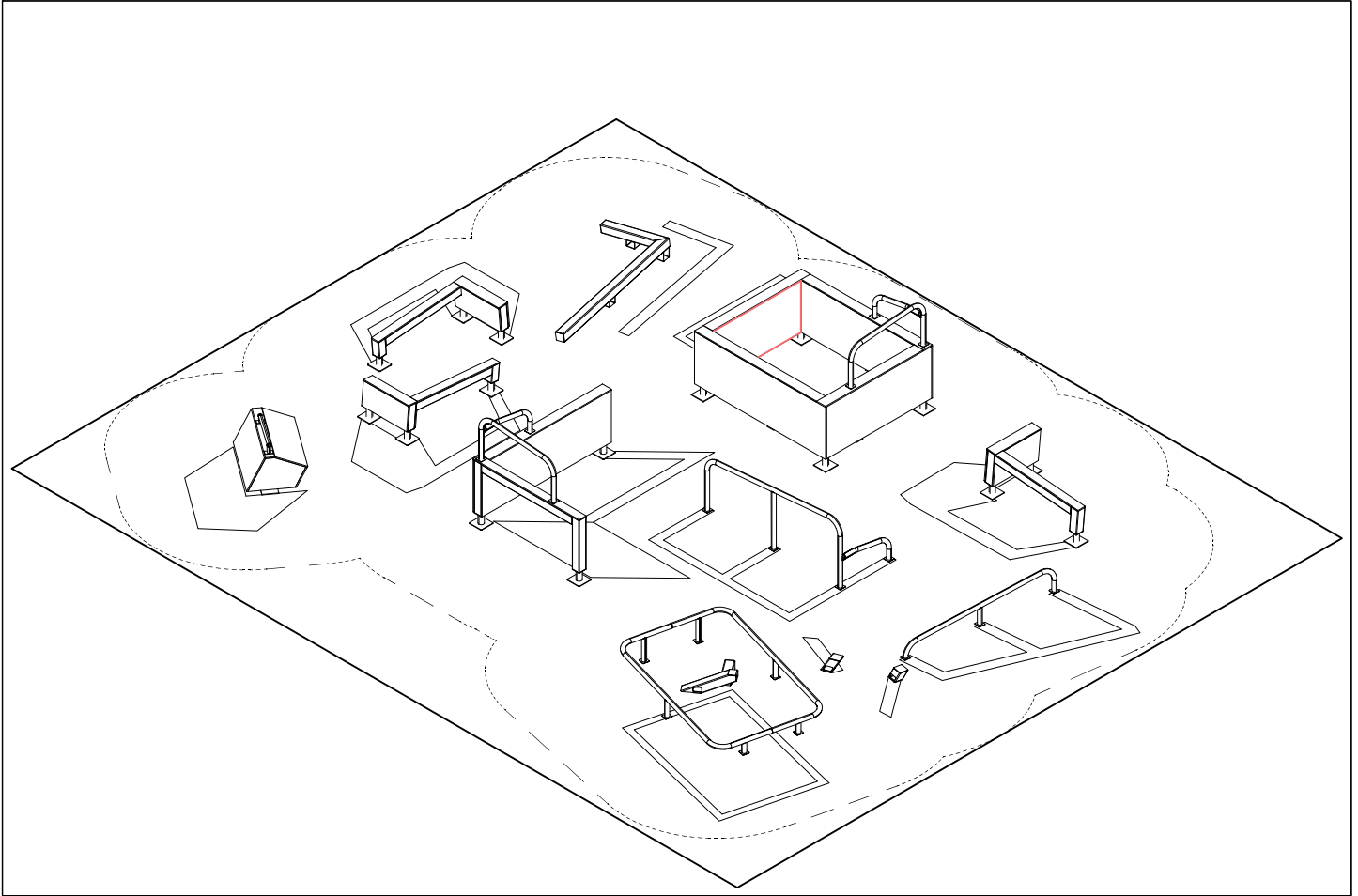
— EN Falling space 104.4 m2
 Max Falling Height 1580 mm

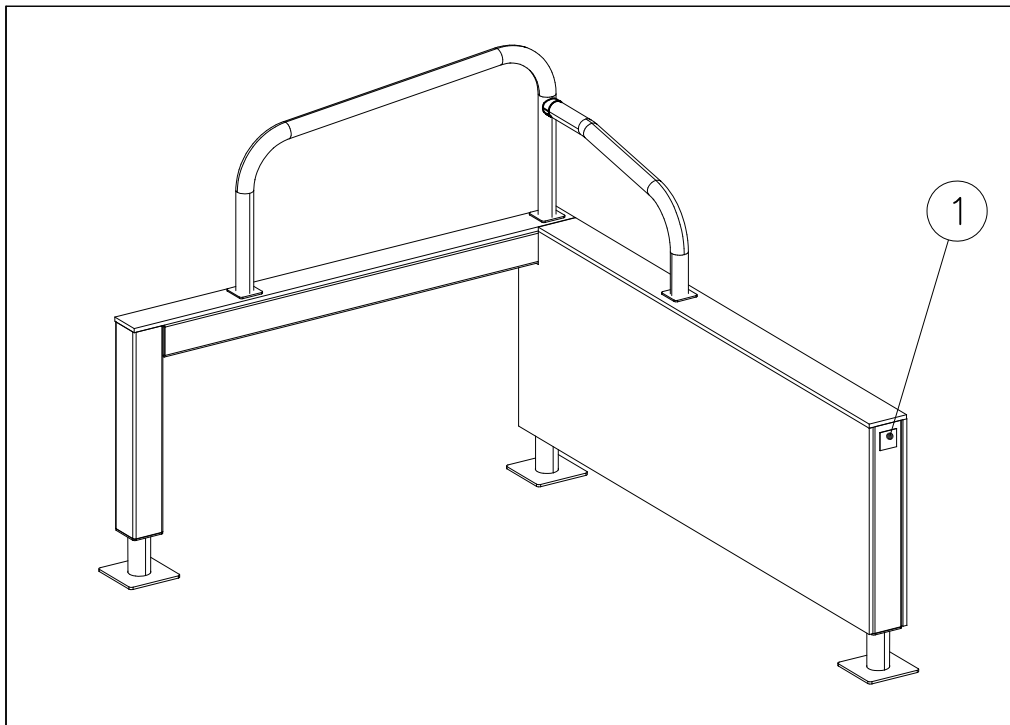




Groudmarks

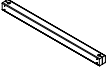



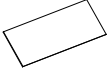



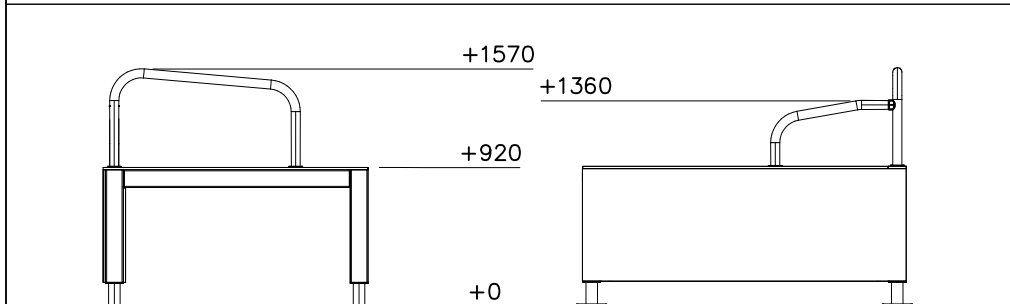


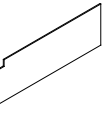



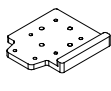

① 702286	PCS	② 707213	PCS
	1		1
65x65		118x118x1490	

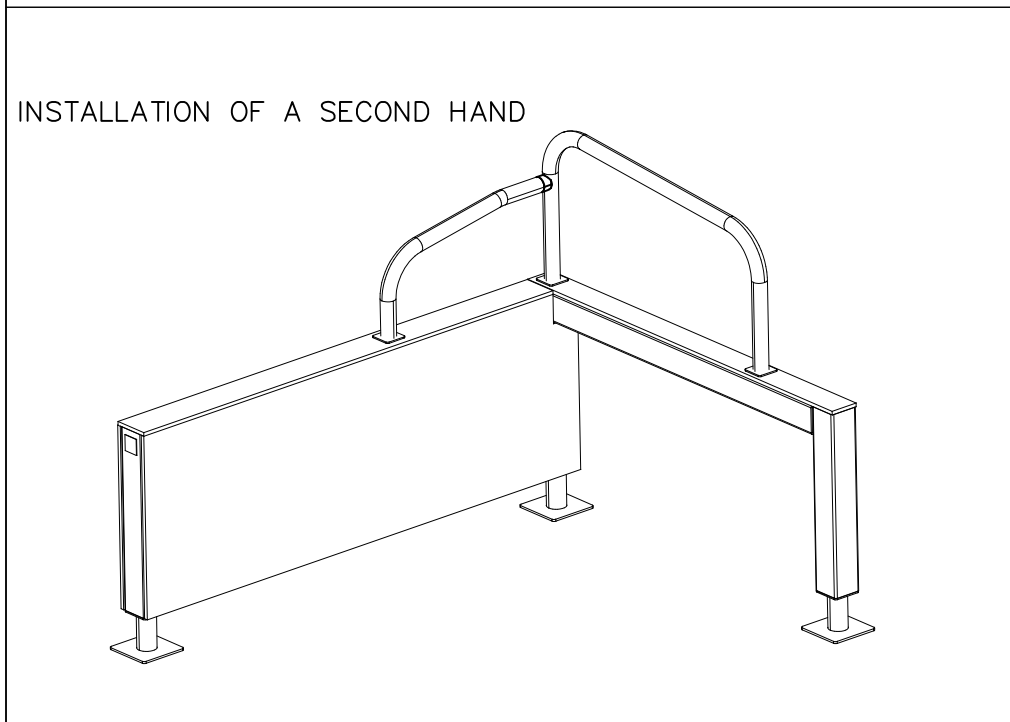
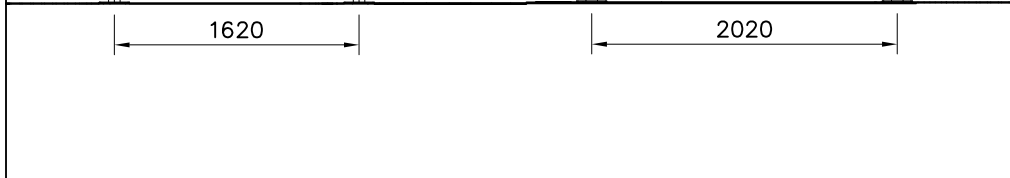
③ 707517	PCS	④ 708137	PCS
	2		3
118x118x1892		118x118x745	



⑤ 708715	PCS	⑥ 708840	PCS
	1		1
15x745x2140		15x148x2018	





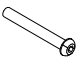

⑦ 708845	PCS	⑧ 708846	PCS
	1		1
15x745x2138		15x118x1751	


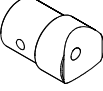



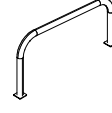
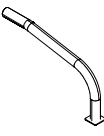
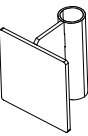


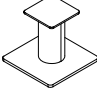
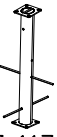
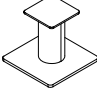
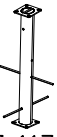
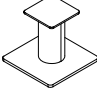
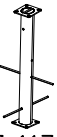
⑨ 708857	PCS	⑩ 980154	PCS
	1		1
20x133x149		Ø24/13	



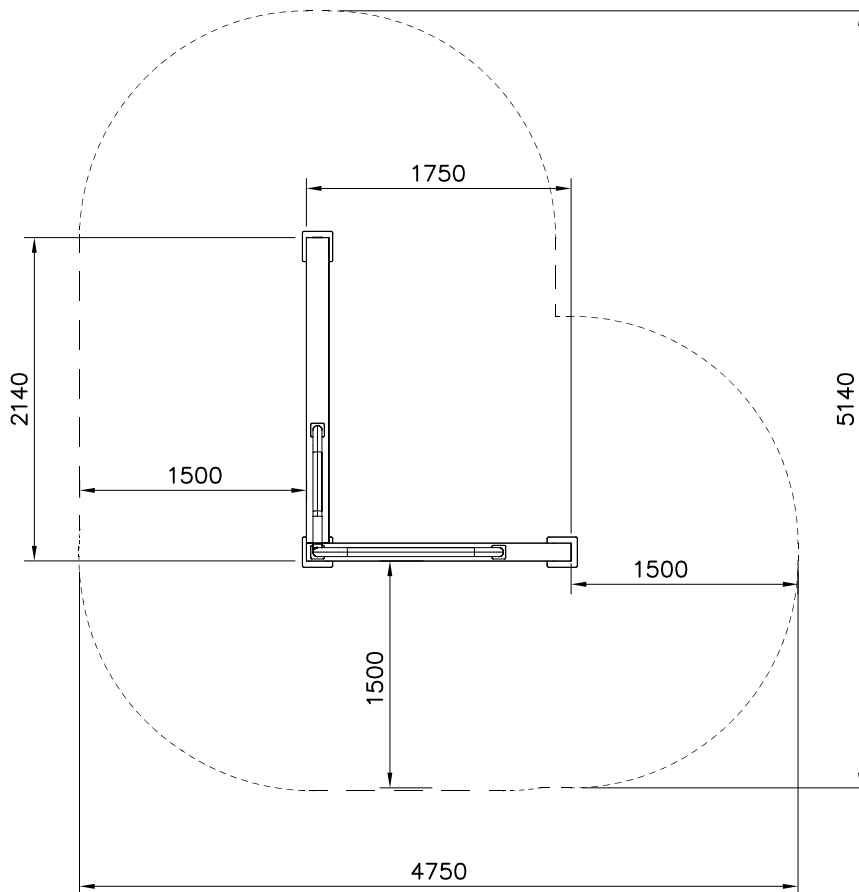
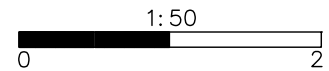
⑪ 900240	PCS	⑫ 900965	PCS
	24		1
Ø8x70		M10	

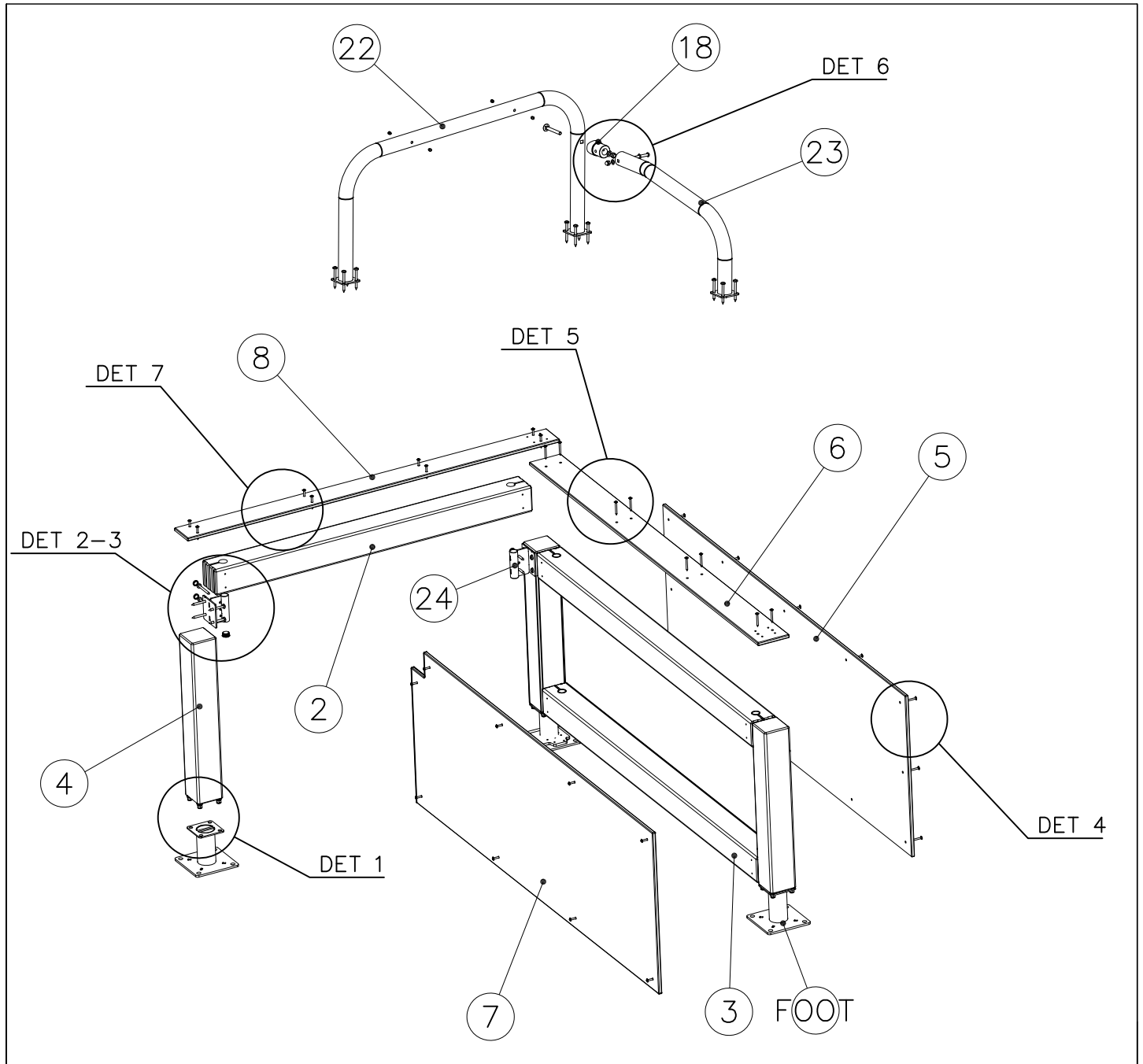
⑬ 903093	PCS	⑭ 903533	PCS
	24		4
Ø8x90		SRL12	

⑮ 904133	PCS	⑯ 905103	PCS
	1		6
M10x80		PT-28/32-H	

<p>⑰ 905112 PCS 12</p>  <p>Ø22</p>	<p>⑱ 908069 PCS 1</p>  <p>Ø60x87.6</p>	<p>⑲ 909111 PCS 1</p>  <p>M12x100</p>	<p>⑳ 909248 PCS 1</p>  <p>M12</p>	<p>㉑ 909638 PCS 4</p>  <p>Ø20/10.5</p>	<p>㉒ 910254 PCS 1</p>  <p>Ø60x650x1290</p>		
<p>㉓ 910262 PCS 1</p>  <p>Ø60x435x795</p>	<p>㉔ 910266 PCS 6</p>  <p>90x108x118</p>	<p>㉕ 980123 PCS 37</p>  <p>Ø7x60</p>	<p>㉖ 980114 PCS 4</p>  <p>Ø4x20</p>	<p>FOOT OPTIONS 709261+ 709262+</p> <table border="1"> <tr> <td> <p>○ 910330 SURFACE PCS 3</p>  <p>152x200x200</p> </td> <td> <p>○ 910567 CONCRETE PCS 3</p>  <p>117x117x715</p> </td> </tr> </table>		<p>○ 910330 SURFACE PCS 3</p>  <p>152x200x200</p>	<p>○ 910567 CONCRETE PCS 3</p>  <p>117x117x715</p>
<p>○ 910330 SURFACE PCS 3</p>  <p>152x200x200</p>	<p>○ 910567 CONCRETE PCS 3</p>  <p>117x117x715</p>						

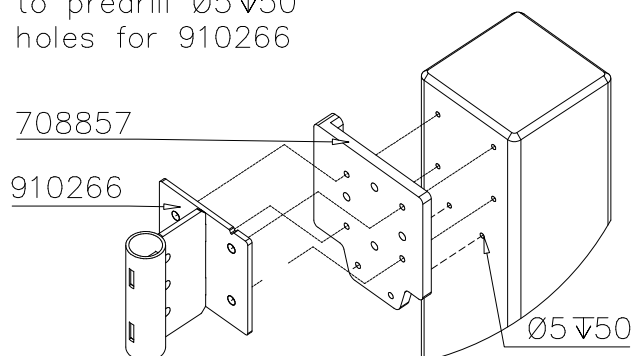
----- Falling Space 18.8 m²
Max Falling Height 920 mm



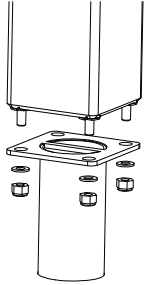


JIG DET A (USE DET 2)

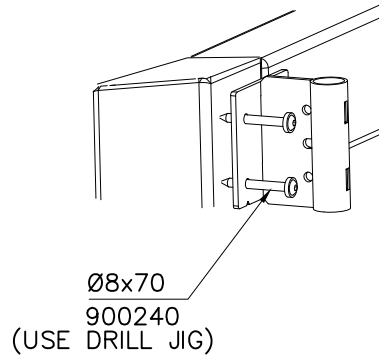
NOTE:
Use drill jig 708857
to predrill $\text{Ø}5 \nabla 50$
holes for 910266



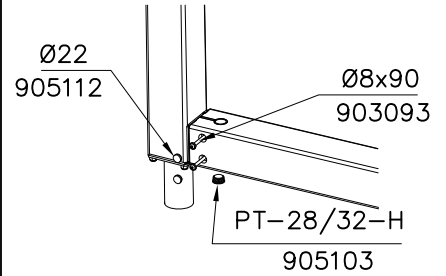
DET 1



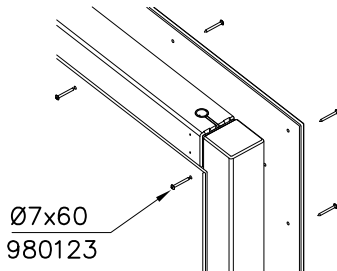
DET 2



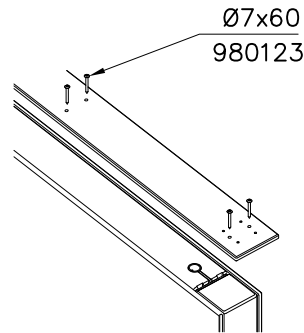
DET 3



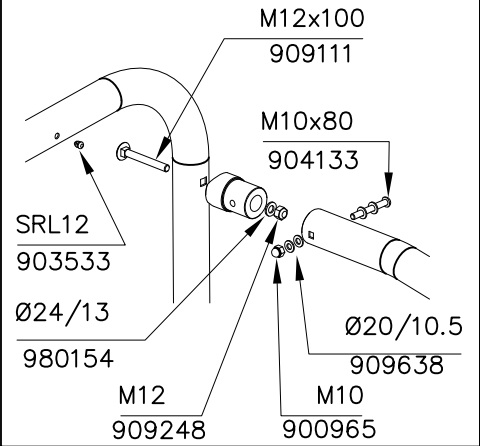
DET 4



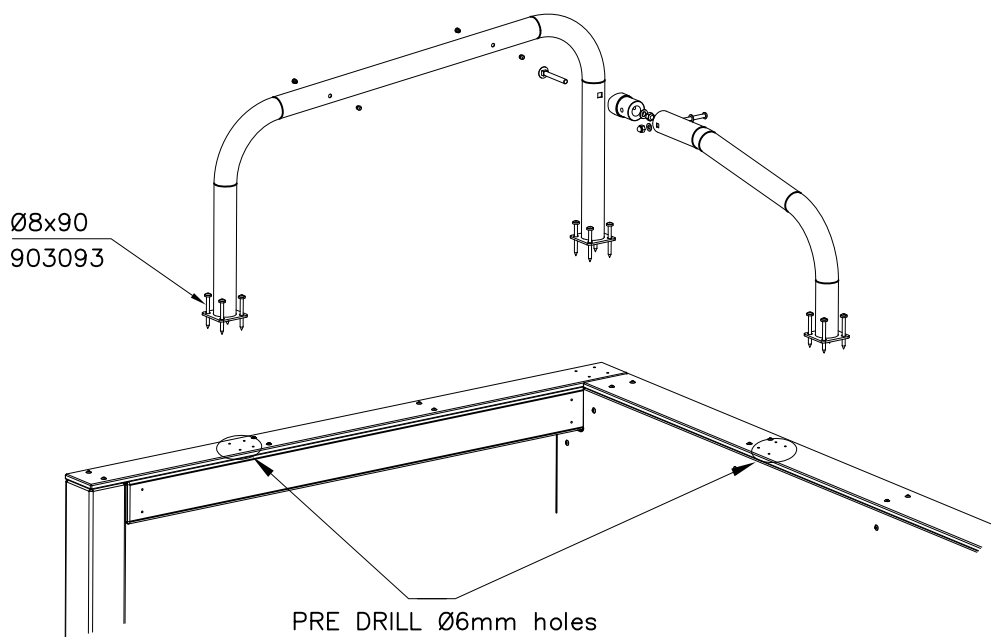
DET 5

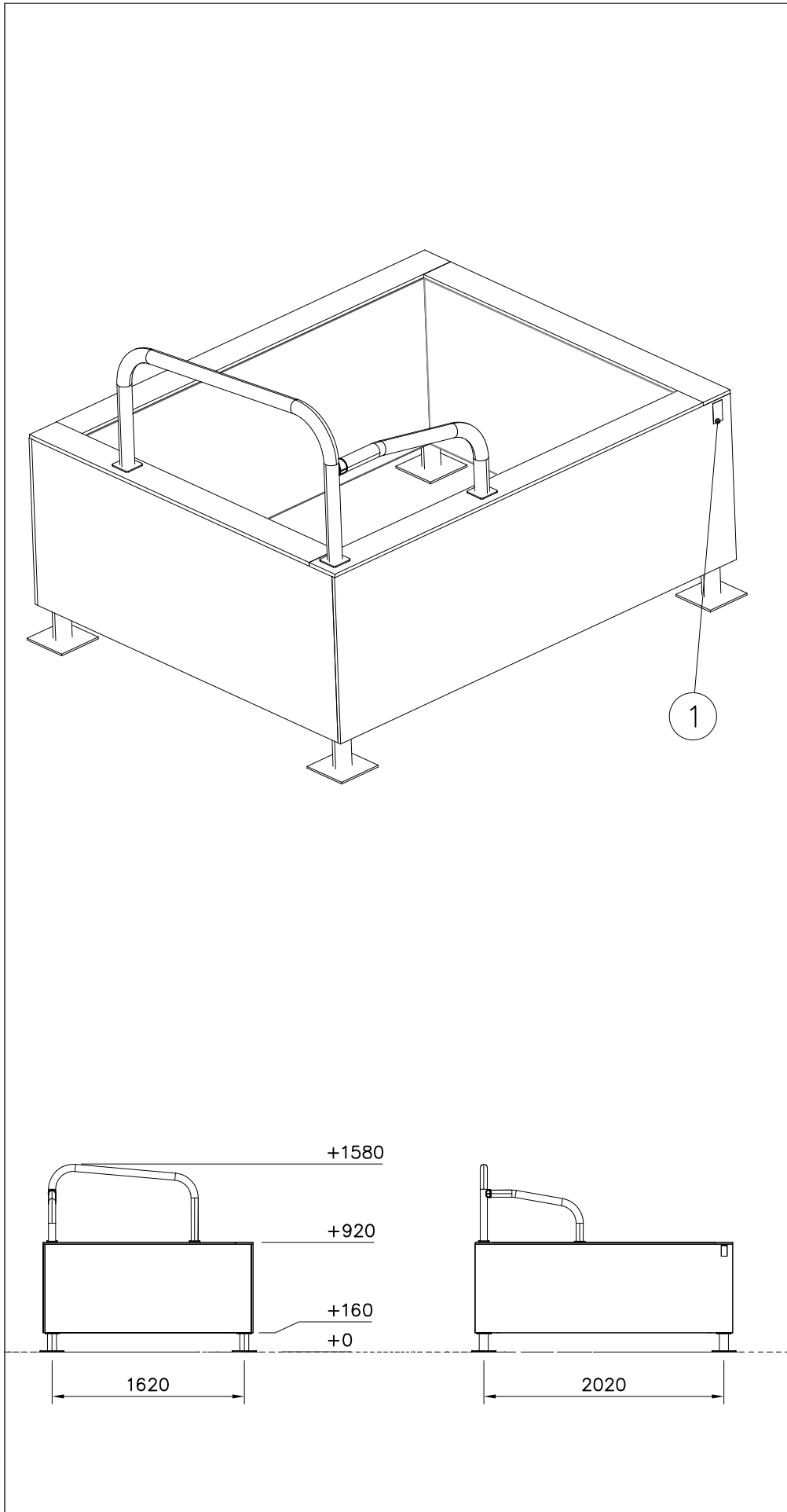


DET 6



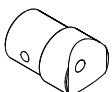




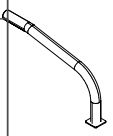
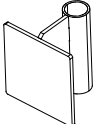

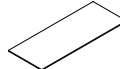
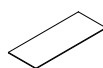


DET 7

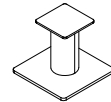





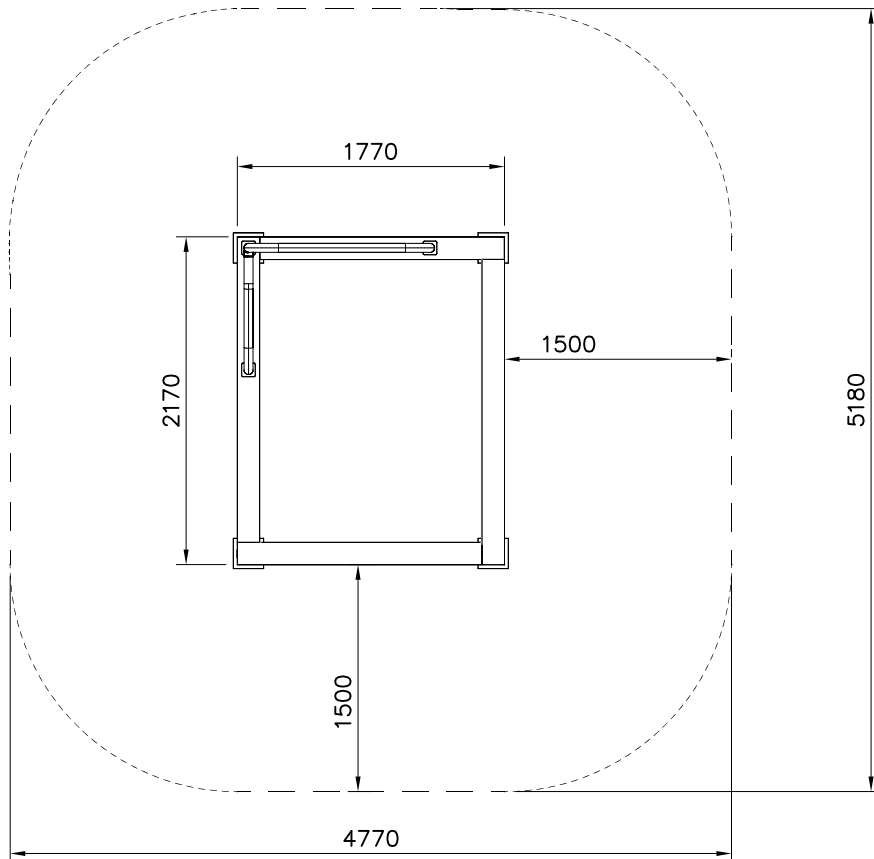
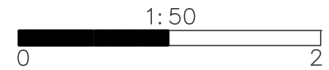
① 702341 90x50	PCS 1	② 707213 118x118x1490	PCS 4
③ 707517 118x118x1892	PCS 4	④ 708137 118x118x745	PCS 4
⑤ 708836 15x745x1736	PCS 2	⑥ 708837 15x745x2168	PCS 2
⑦ 708839 15x745x1897	PCS 1	⑧ 708840 15x148x2018	PCS 2
⑨ 708841 15x148x1616	PCS 2	⑩ 708857 JIG 20x133x149	PCS 1
⑪ 980154 Ø24/13	PCS 1	⑫ 900240 Ø8x70	PCS 64
⑬ 900965 M10	PCS 1	⑭ 903093 Ø8x90	PCS 44
⑮ 903533 SRL12	PCS 4	⑯ 904133 M10x80	PCS 1

<p>⑰ 905103</p>  <p>PCS 16</p> <p>PT-28/32-H</p>	<p>⑱ 905112</p>  <p>PCS 32</p> <p>Ø22</p>	<p>⑲ 908069</p>  <p>PCS 1</p> <p>Ø60x87.6</p>	<p>⑳ 909111</p>  <p>PCS 1</p> <p>M12x100</p>	<p>㉑ 909248</p>  <p>PCS 1</p> <p>M12</p>	<p>㉒ 909638</p>  <p>PCS 4</p> <p>Ø20/10.5</p>
<p>㉓ 910254</p>  <p>PCS 1</p> <p>Ø60x650x1290</p>	<p>㉔ 910262</p>  <p>PCS 1</p> <p>Ø60x435x795</p>	<p>㉕ 910266</p>  <p>PCS 16</p> <p>90x108x118</p>	<p>㉖ 980123</p>  <p>PCS 108</p> <p>Ø7x60</p>	<p>㉗ 911288 COLOR</p>  <p>PCS 2</p> <p>15x745x1465</p>	<p>㉘ 911289 COLOR</p>  <p>PCS 1</p> <p>15x745x1897</p>

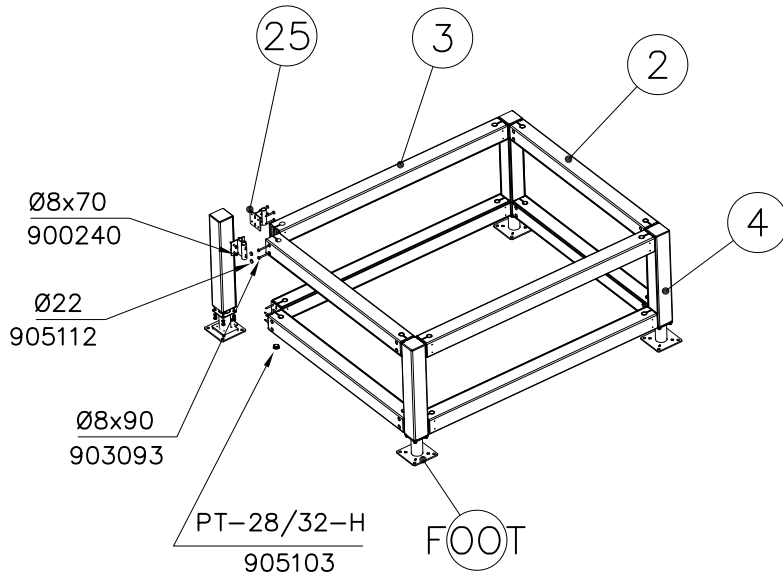
FOOT OPTIONS

<p>709261+</p> <p>○ 910330 SURFACE</p>  <p>152x200x200</p>	<p>PCS 4</p>	<p>709262+</p> <p>○ 910567 CONCRETE</p>  <p>117x117x715</p>	<p>PCS 4</p>
--	------------------	---	------------------

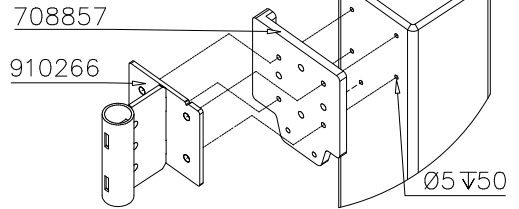
----- Falling Space 22.7 m²
Max Falling Height 1580 mm



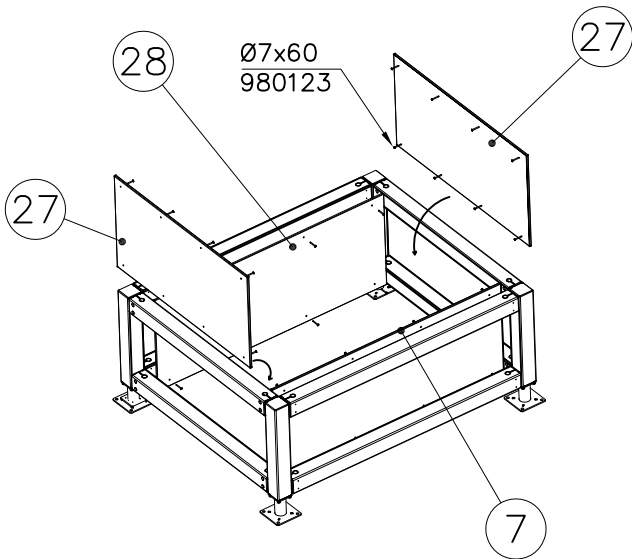
DET 1



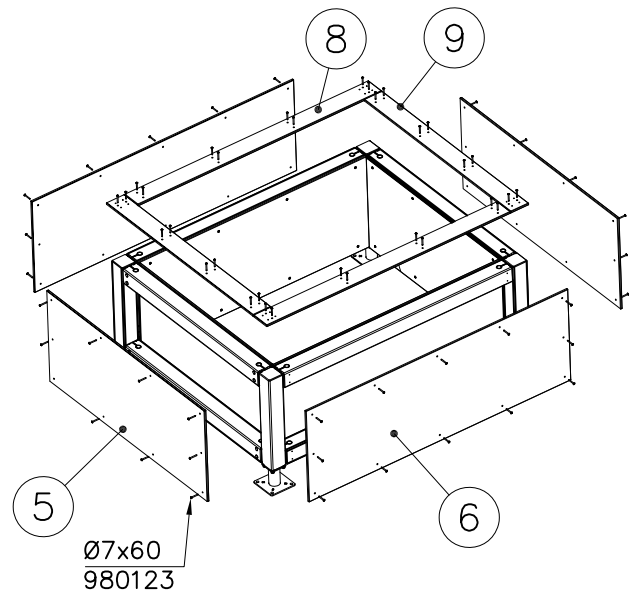
NOTE:
Use drill jig 708857
to predrill $\text{Ø}5\sqrt{50}$
holes for 910266



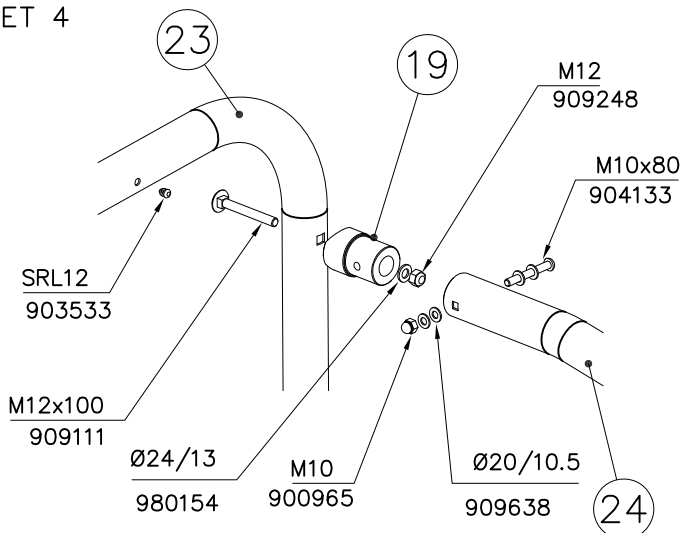
DET 2



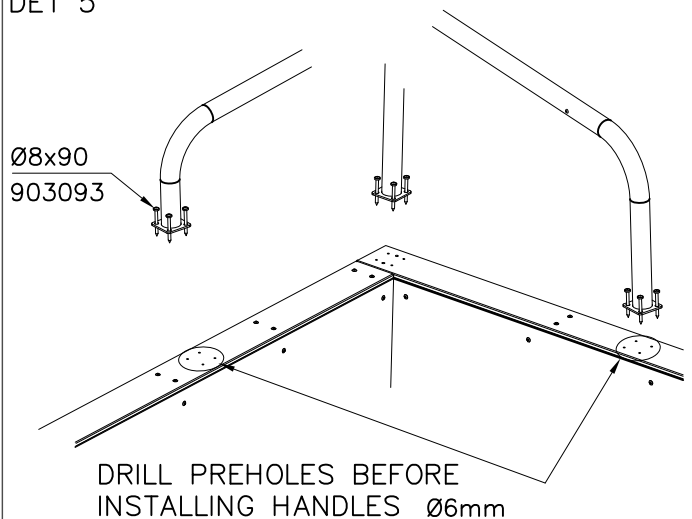
DET 3

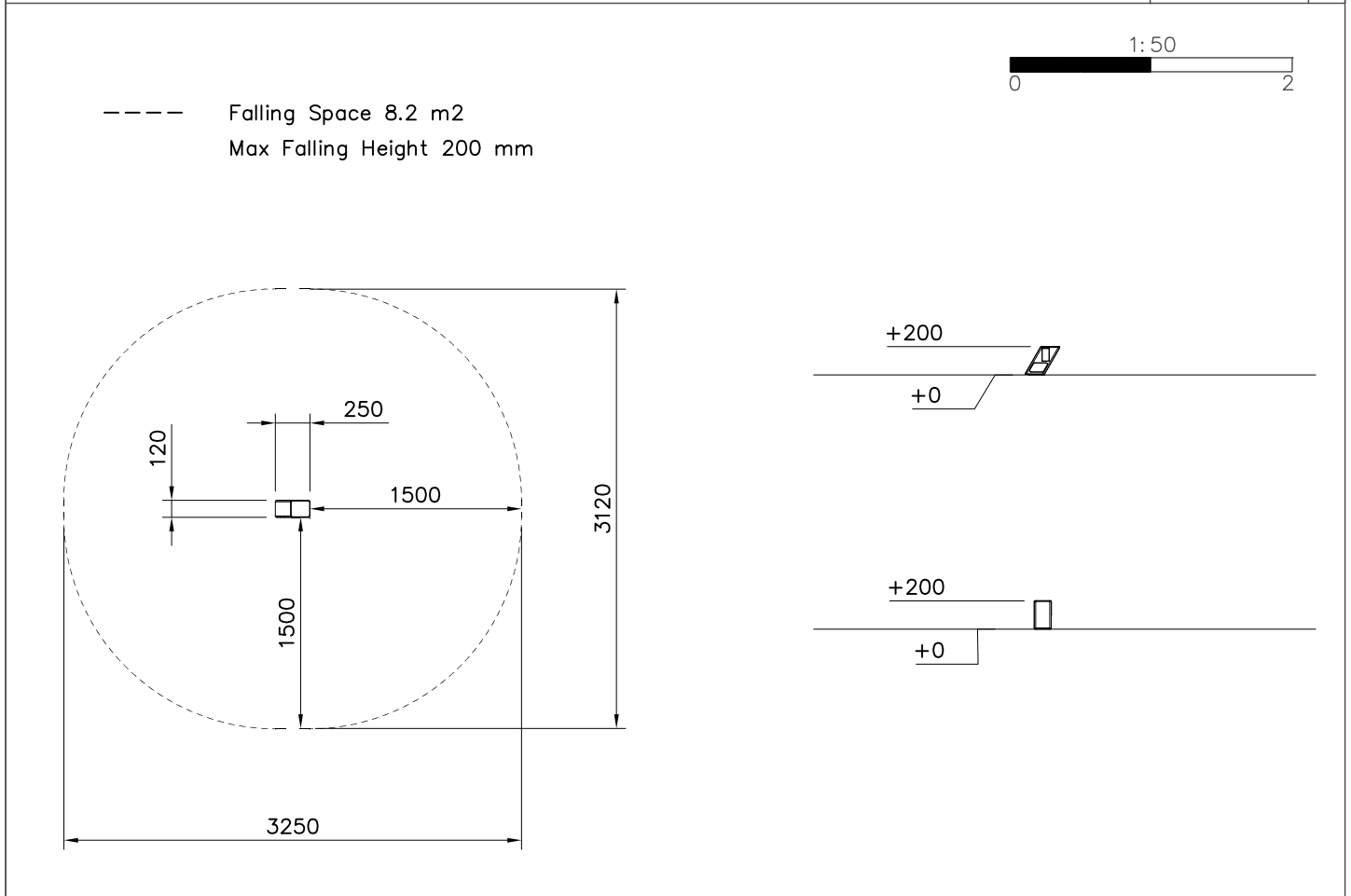
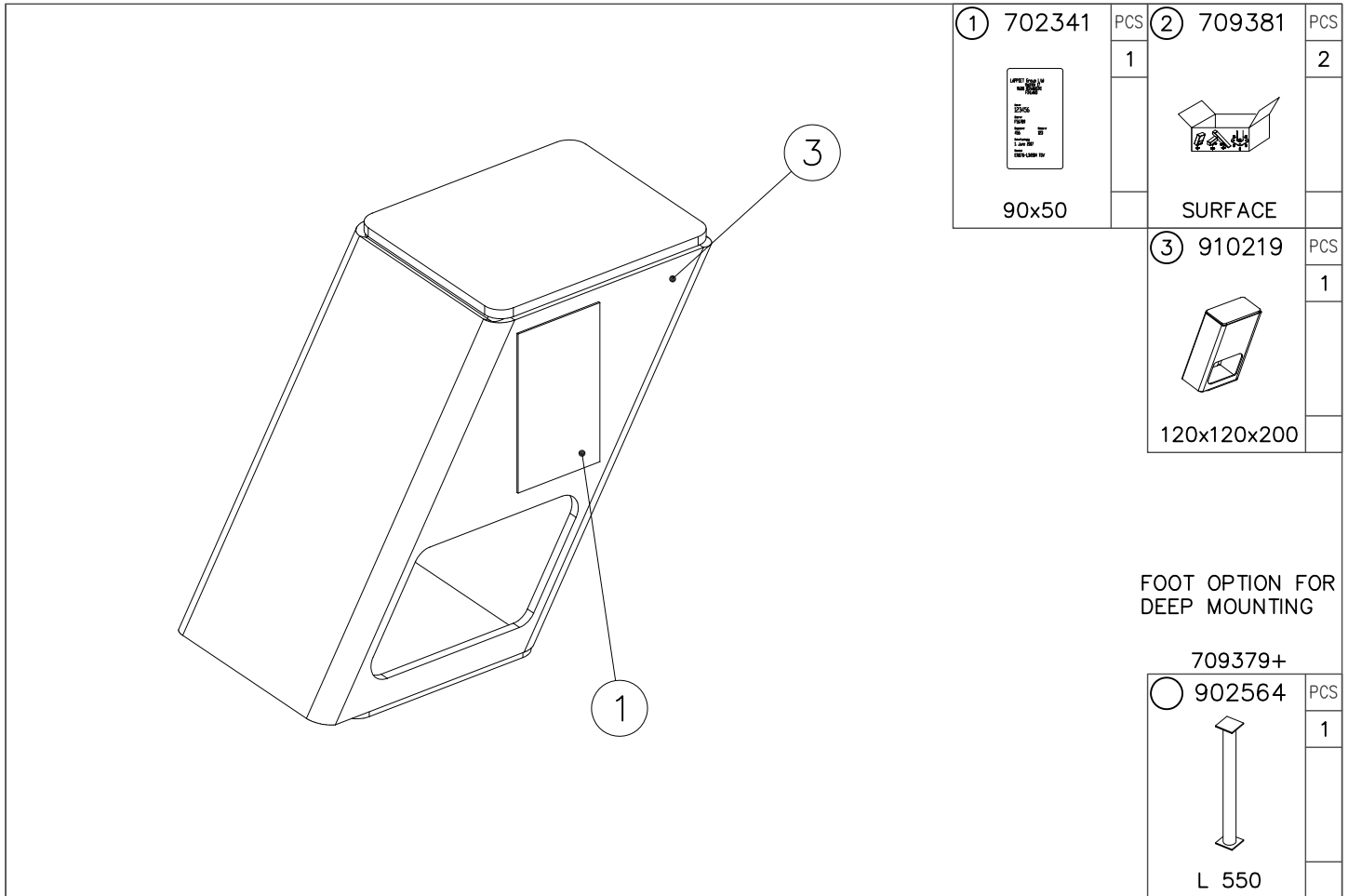


DET 4

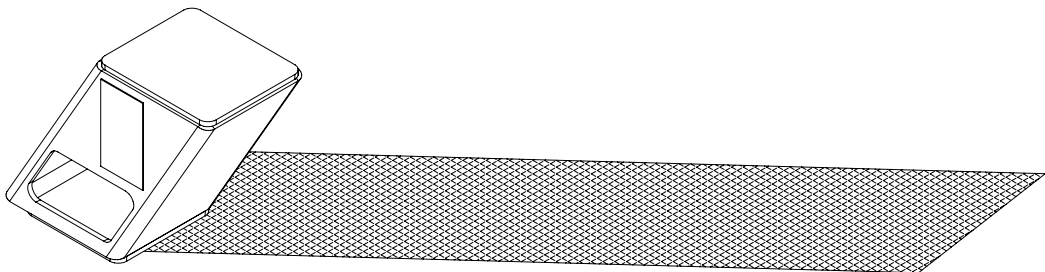
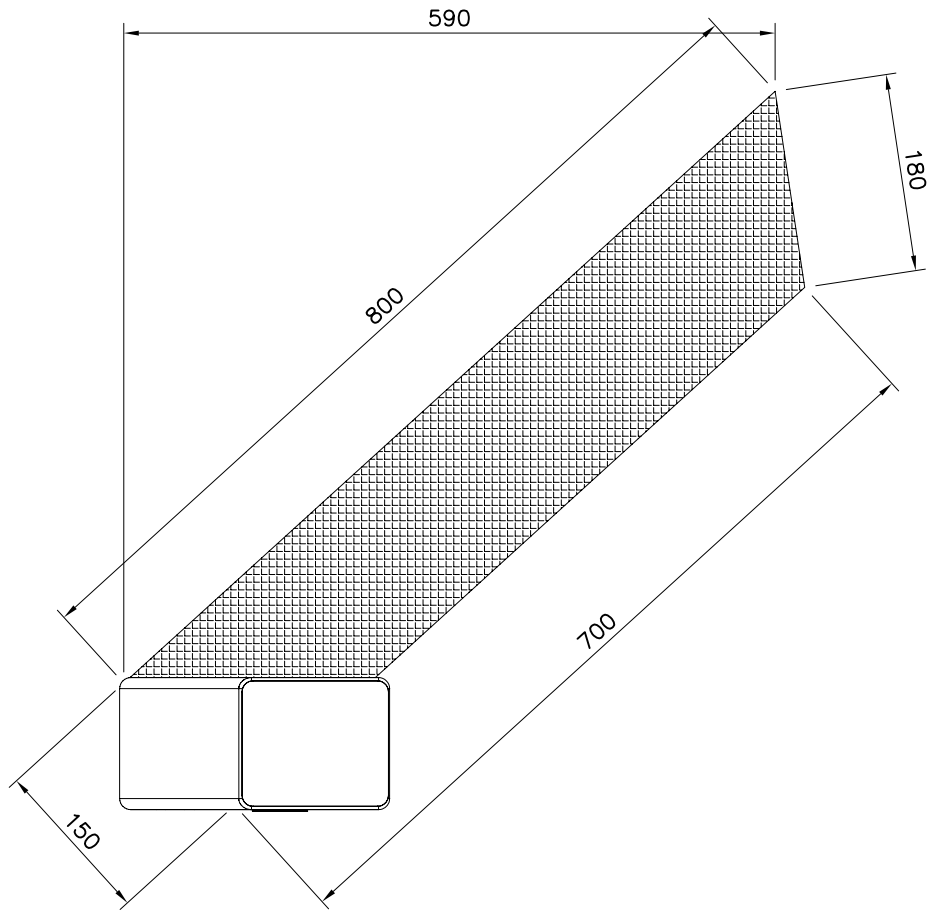


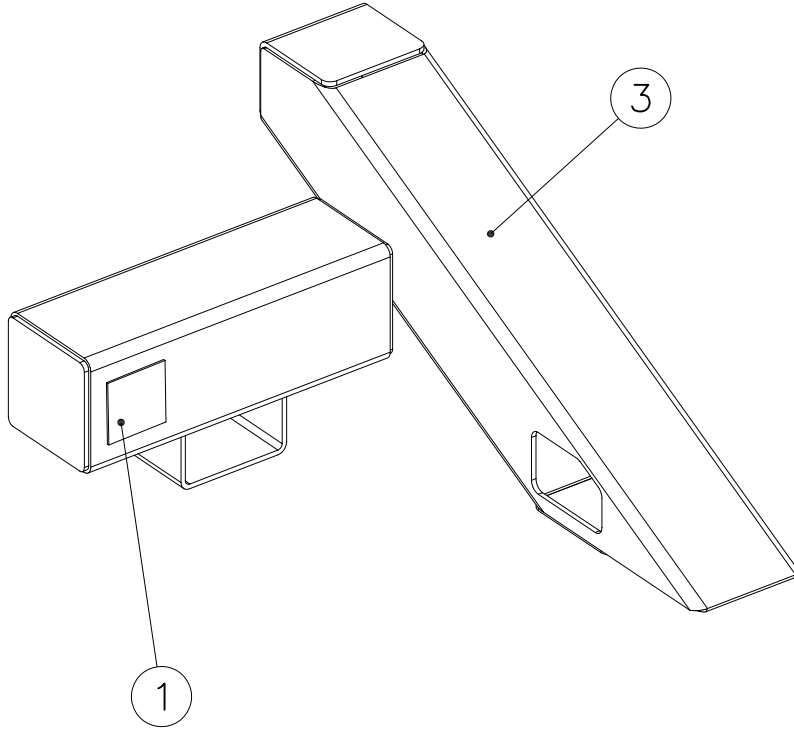
DET 5

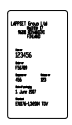



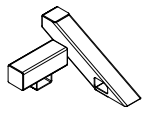


Shadow lines




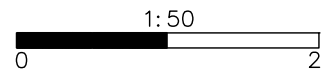


① 702341	PCS	② 709381	PCS
	1		2
90x50		SURFACE	

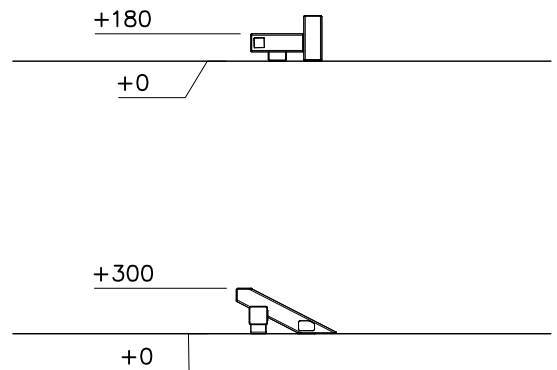
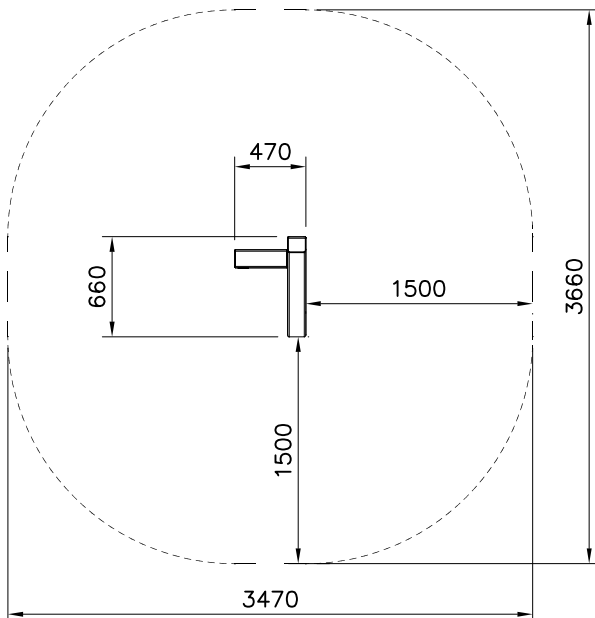
③ 910220	PCS
	1
300x470x662	

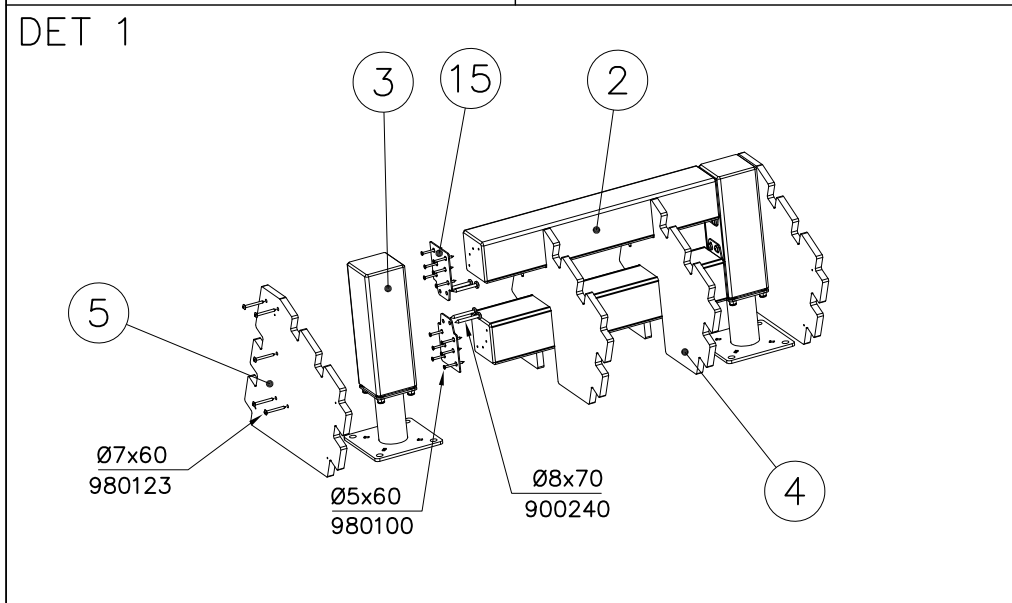
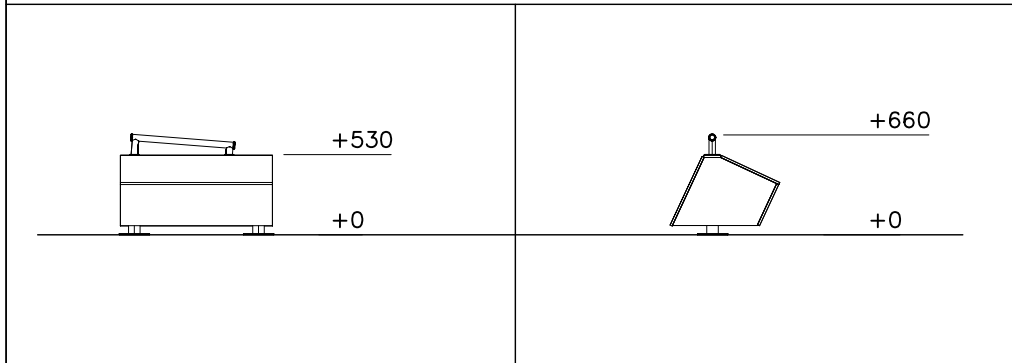
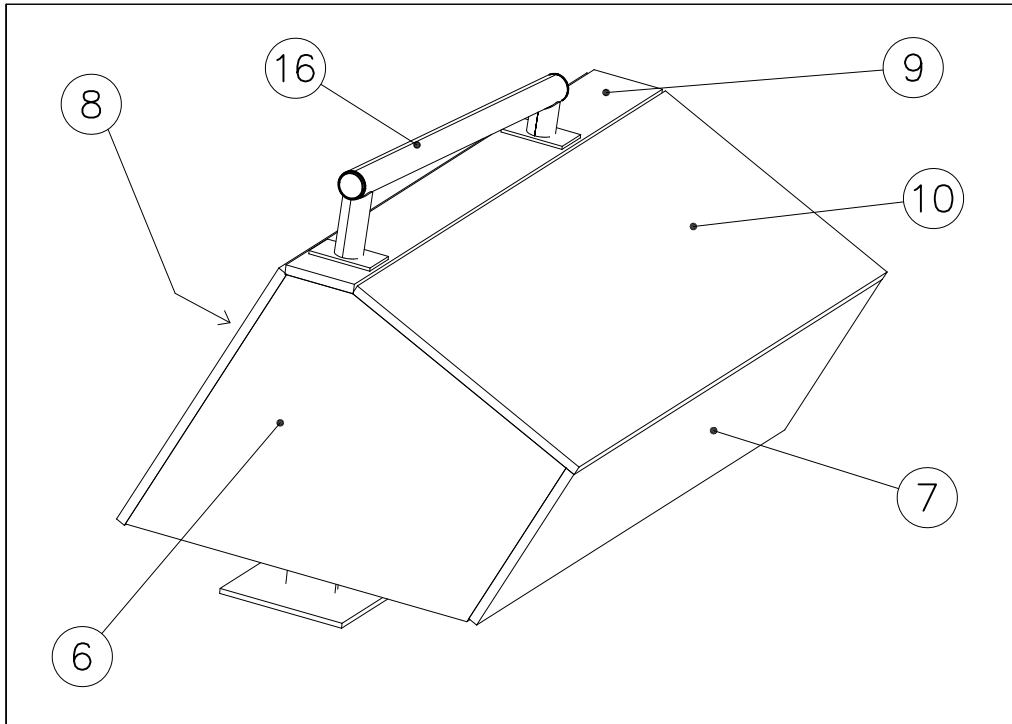
FOOT OPTION FOR DEEP MOUNTING

709379+	
○ 902564	PCS
	2
L 550	



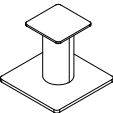

----- Falling Space 10.8 m²
 Max Falling Height 300 mm

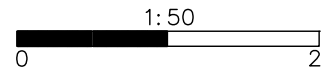
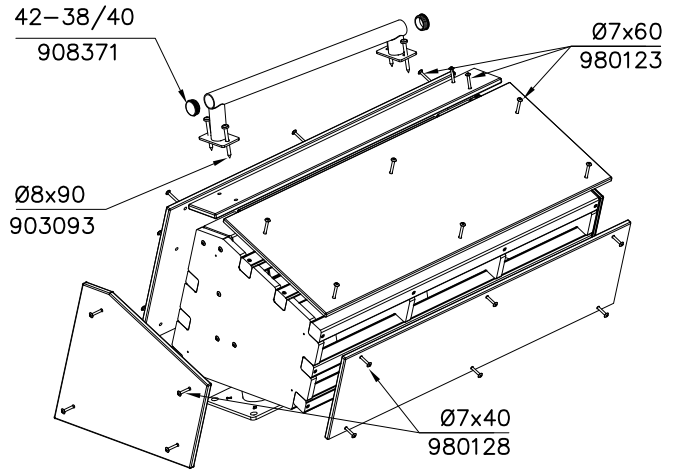
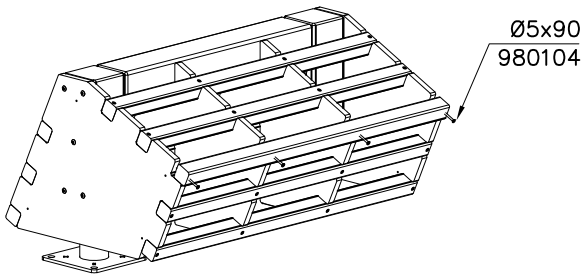
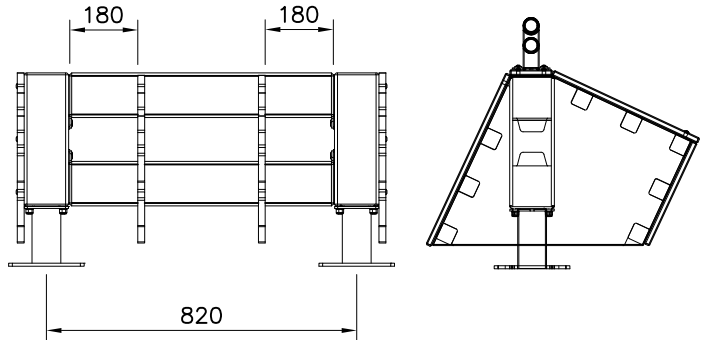




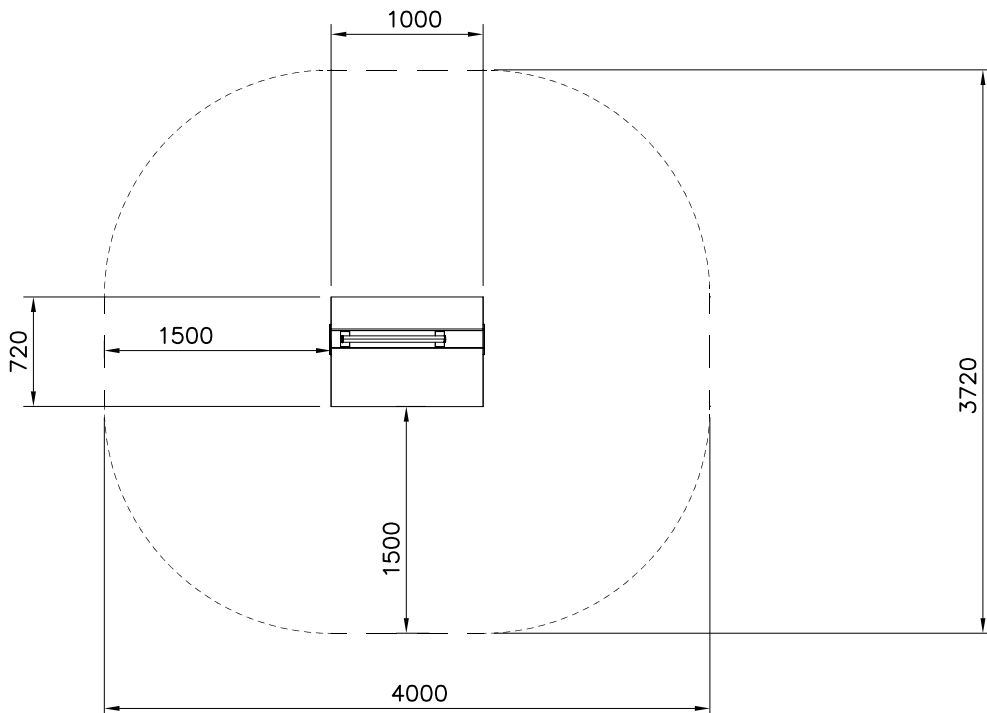
① 702341 90x50	PCS 1	② 708109 118x118x697	PCS 2
③ 708443 118x118x352	PCS 2	④ 708848 18x450x690	PCS 2
⑤ 708849 18x450x690	PCS 2	⑥ 708850 15x450x690	PCS 2
⑦ 708851 15x300x1005	PCS 1	⑧ 708852 15x500x1005	PCS 1
⑨ 708853 15x112x1005	PCS 1	⑩ 708854 15x425x1005	PCS 1
⑪ 708855 45x45x975	PCS 8	⑫ 900240 Ø8x70	PCS 8
⑬ 903093 Ø8x90	PCS 4	⑭ 908371 42-38/40	PCS 2

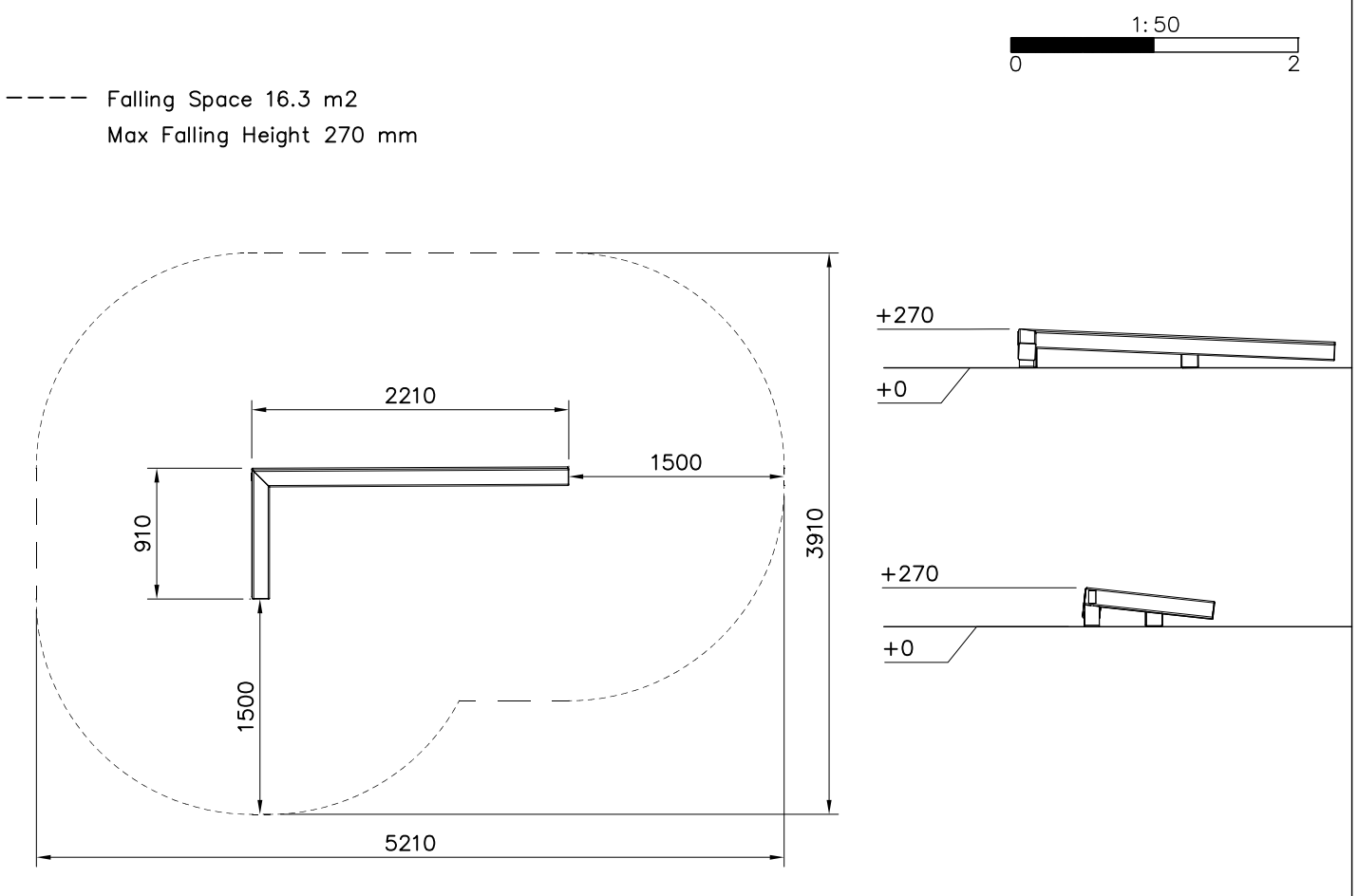
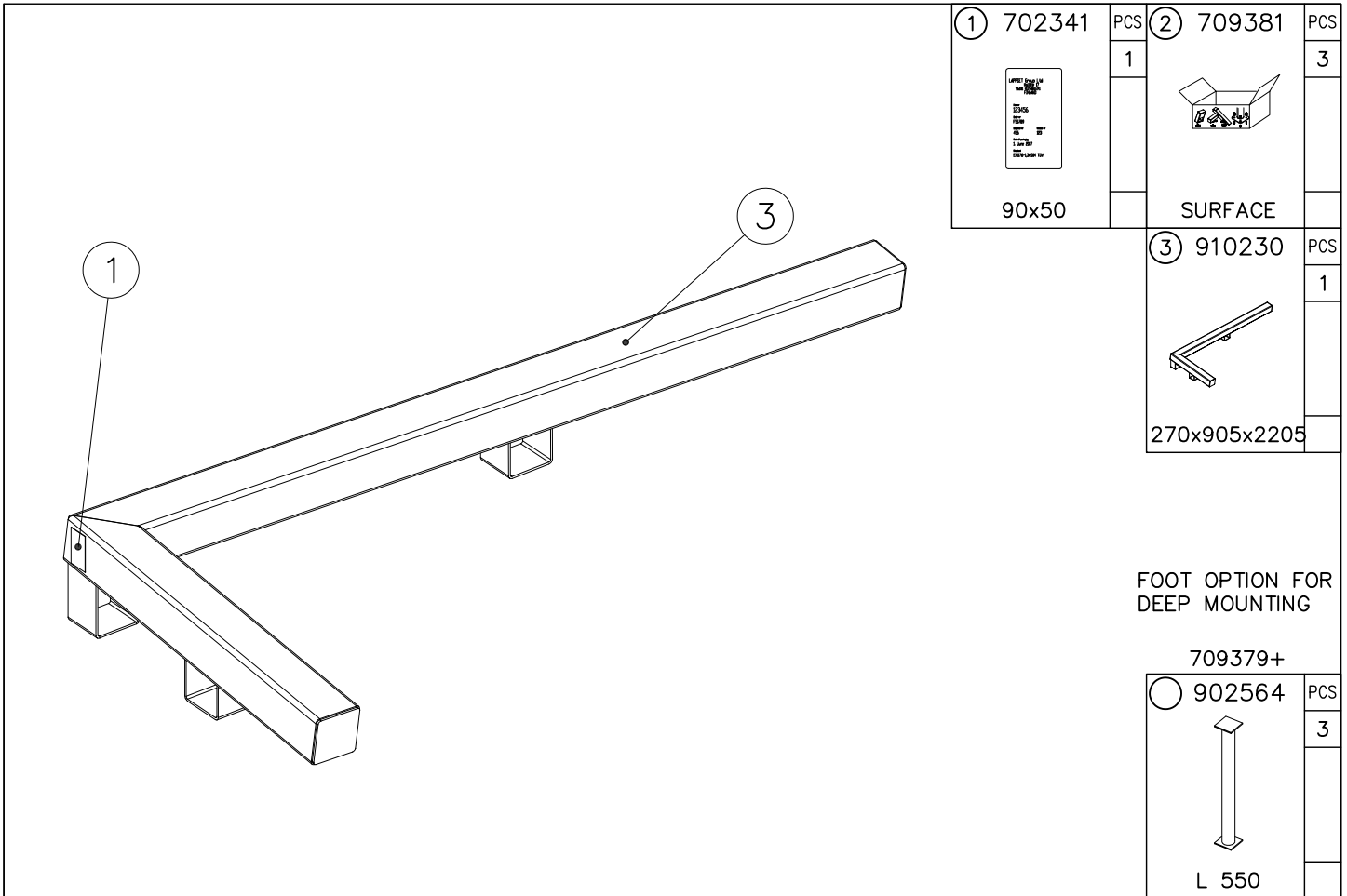
⑮ 908698 3x114x108	PCS 4	⑯ 910056 140x690	PCS 1	⑰ 980100 Ø5x60	PCS 24	⑱ 980104 Ø5x90	PCS 32	⑲ 980123 Ø7x60	PCS 27	⑳ 980128 Ø7x40	PCS 14
---------------------------	----------	-------------------------	----------	-----------------------	-----------	-----------------------	-----------	-----------------------	-----------	-----------------------	-----------

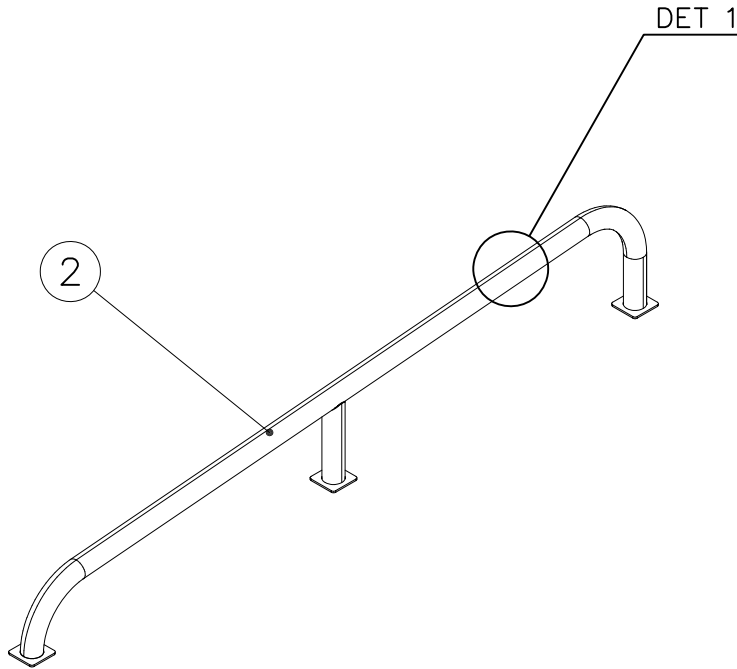
709261+		709262+	
○ 910330	PCS	○ 910567	PCS
SURFACE	2	CONCRETE	2
			
152x200x200		117x117x715	


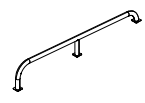
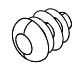


----- Falling Space 13 m²
Max Falling Height 660 mm

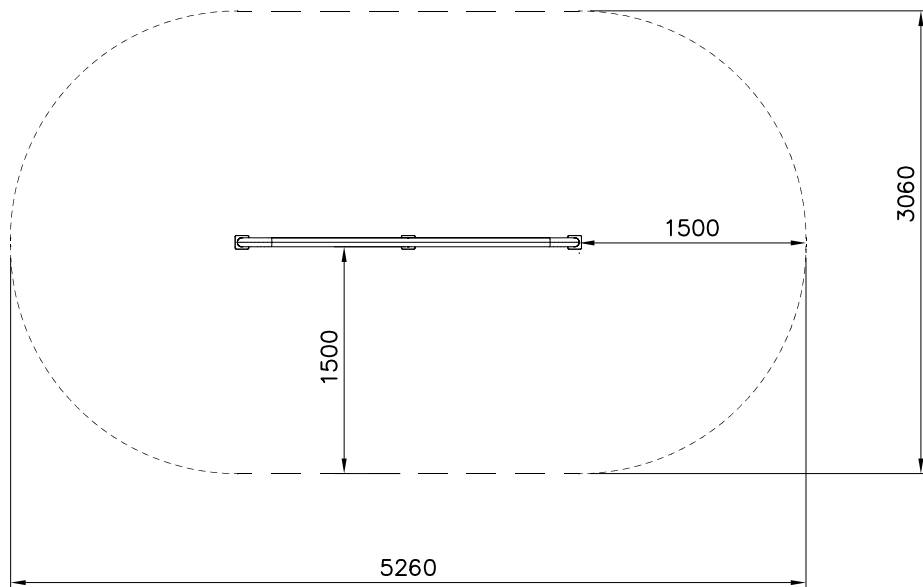
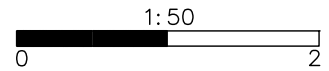


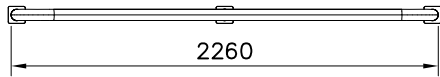
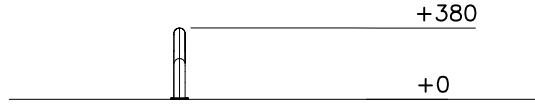
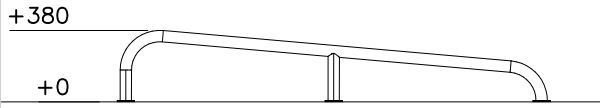




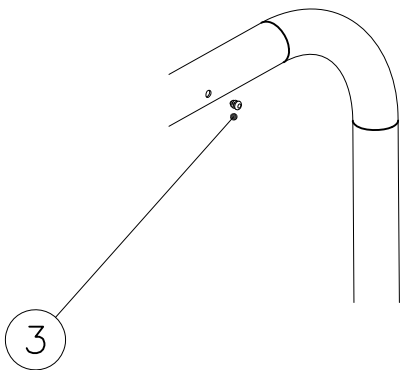
① 702341  90x50	PCS	② 910253  Ø60x376x2290	PCS
	1		1
③ 903533  SRL12	PCS		PCS
	4		

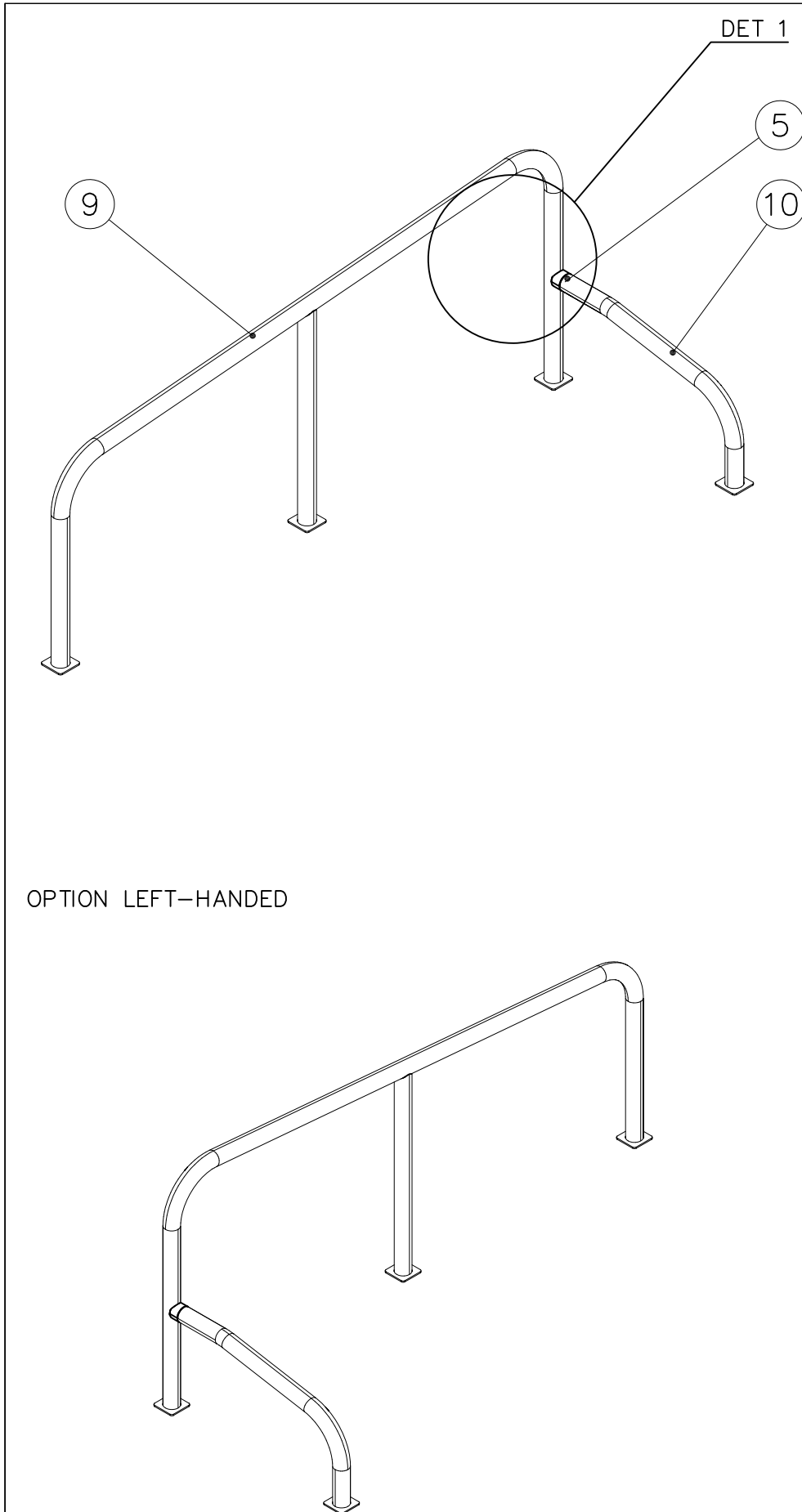
----- Falling Space 14.2 m²
 Max Falling Height 380 mm

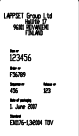


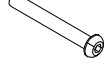
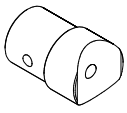



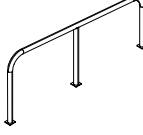
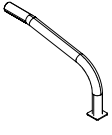





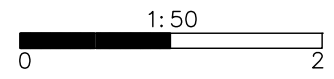
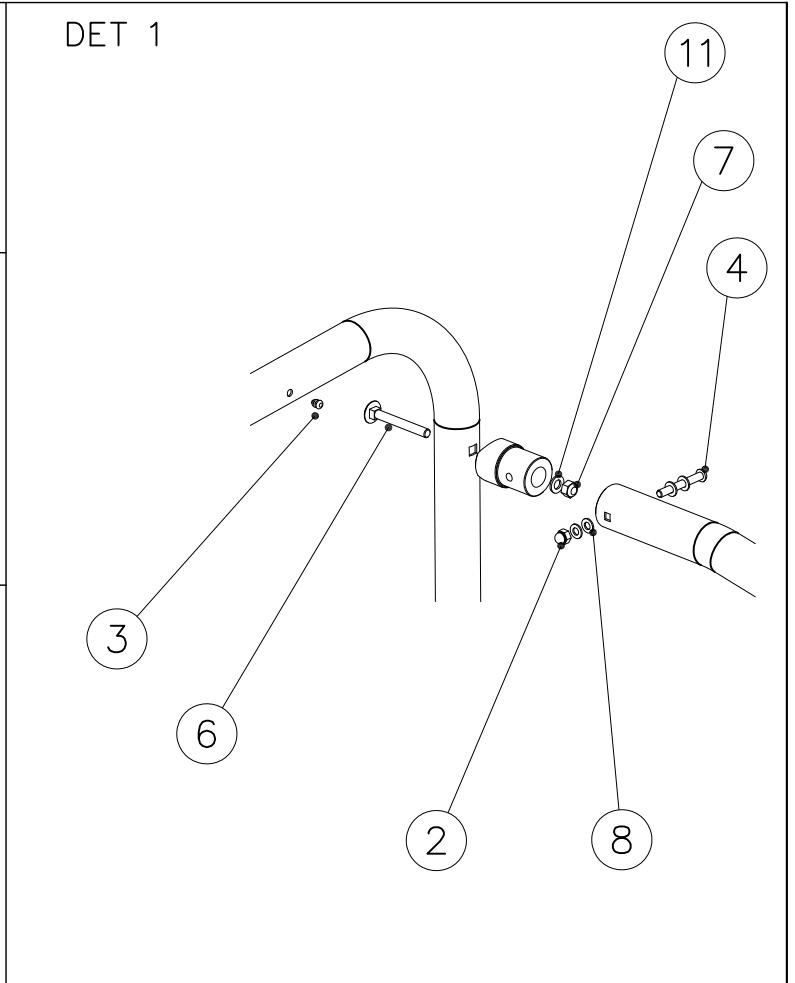
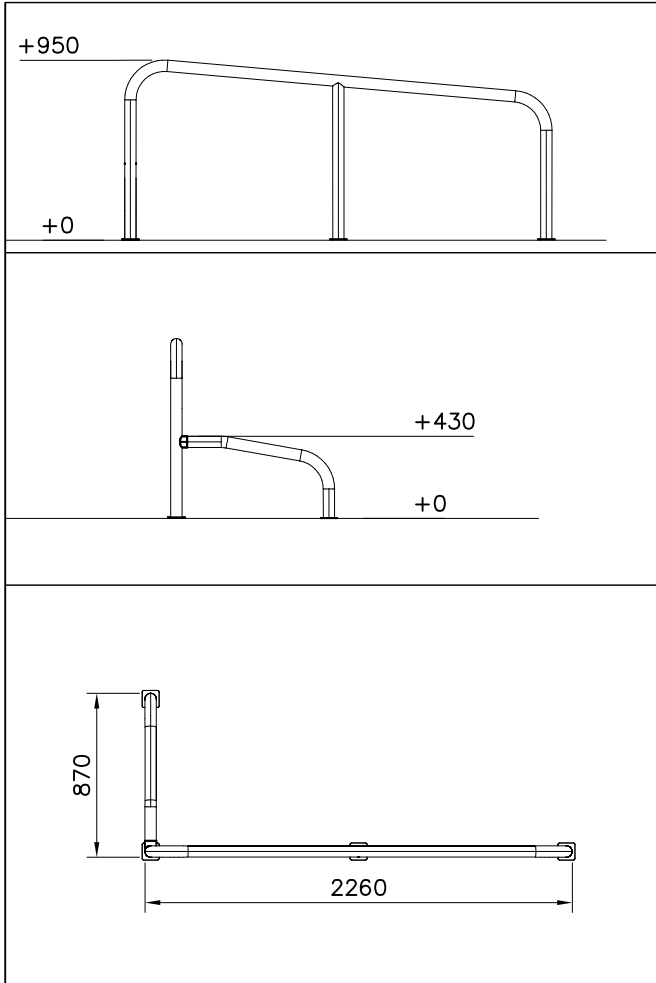
DET 1



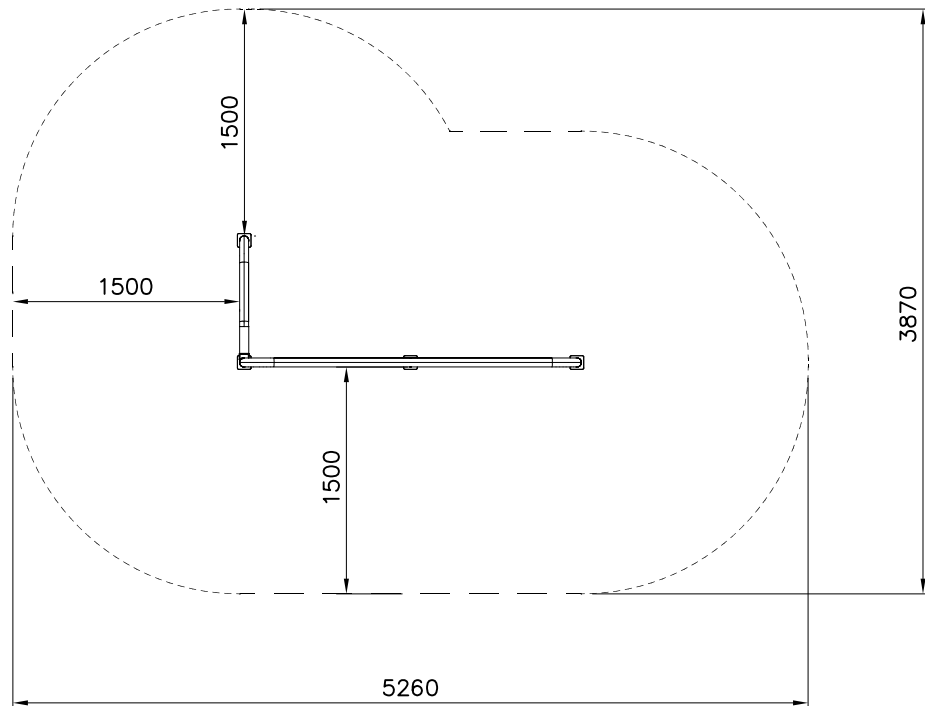


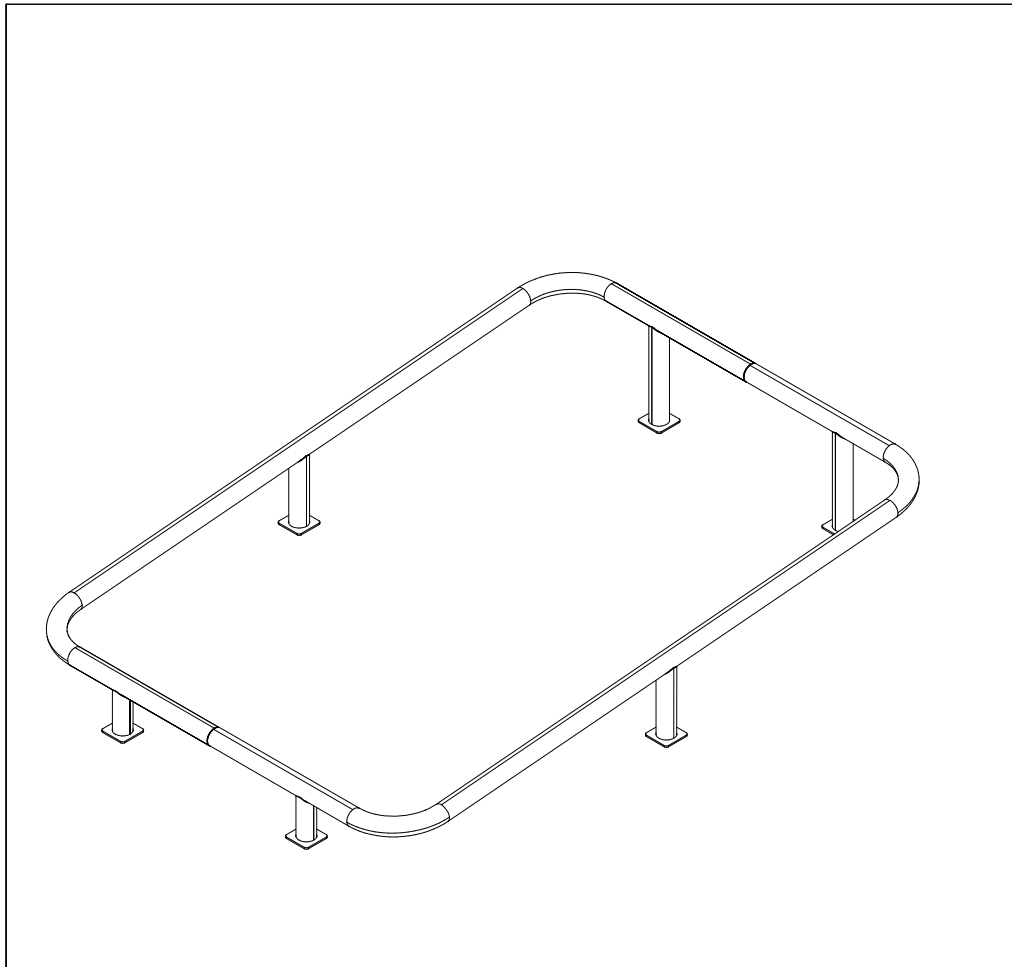
① 702341  90x50	PCS 1	② 900965  M10	PCS 1
③ 903533  SRL12	PCS 4	④ 904133  M10x80	PCS 1
⑤ 908069  Ø60x87.6	PCS 1	⑥ 909111  M12x100	PCS 1
⑦ 909248  M12	PCS 1	⑧ 909638  Ø20/10.5	PCS 4
⑨ 910255  Ø60x950x2290	PCS 1	⑩ 910262  Ø60x435x795	PCS 1
⑪ 980154  Ø24/13	PCS 1		PCS

OPTION LEFT-HANDED

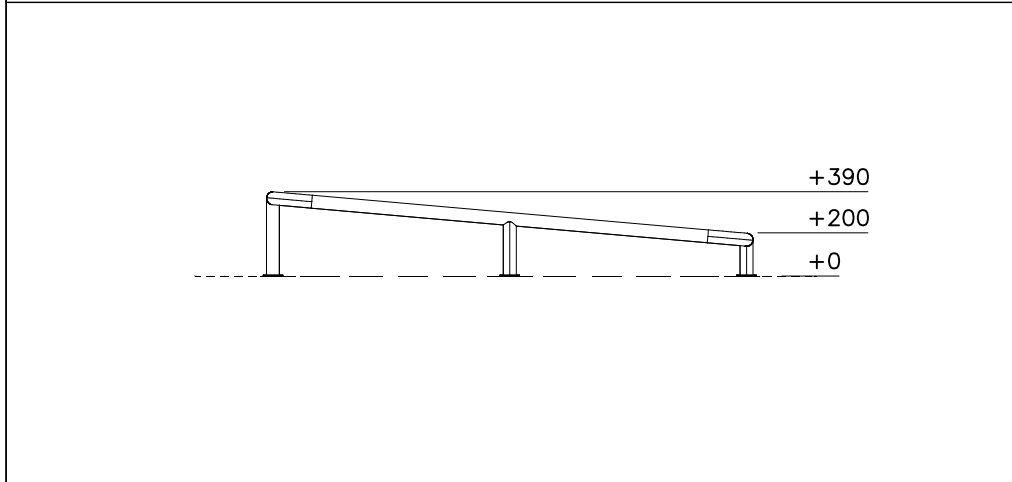


----- Falling Space 16.2 m2
 Max Falling Height 950 mm



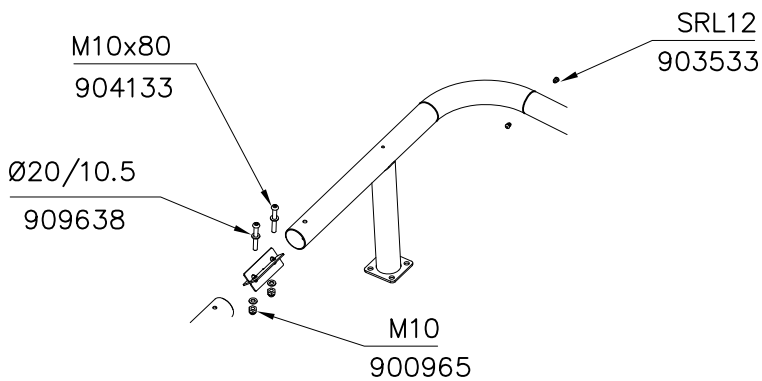


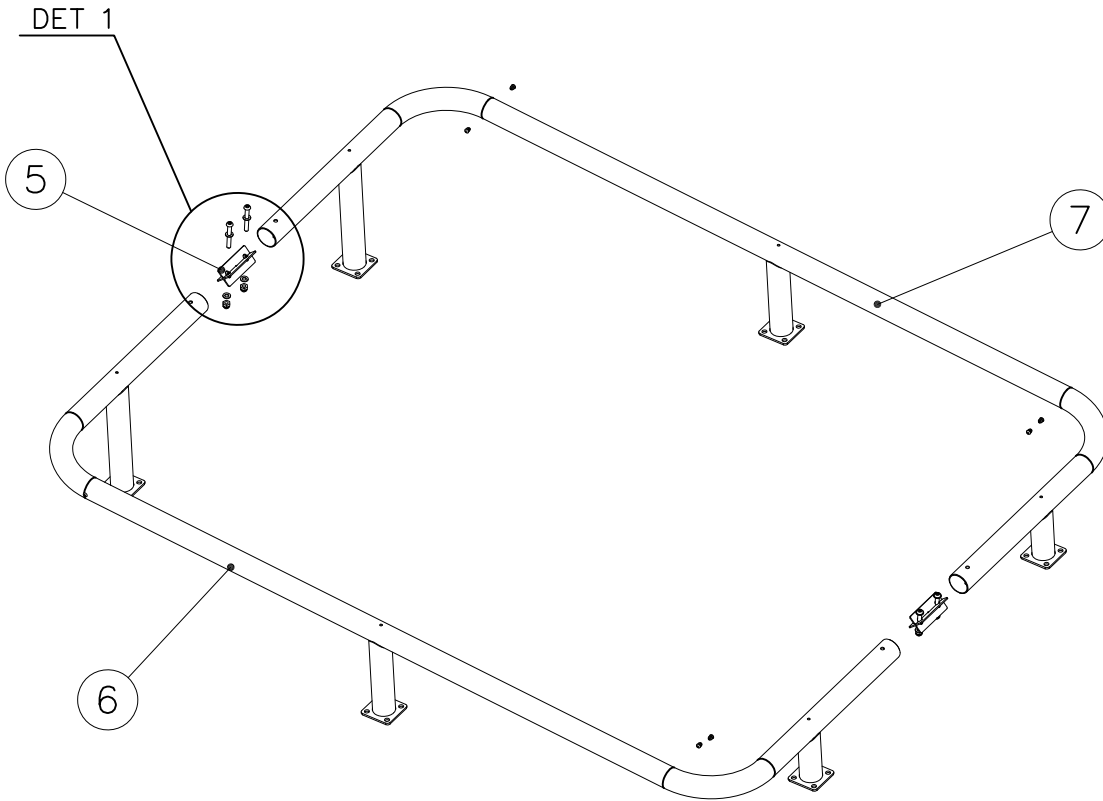
① 900965 M10	PCS 4	② 903533 SRL12	PCS 8
③ 904133 M10x80	PCS 4	④ 909638 Ø20/10.5	PCS 8
⑤ 910052 53x53x120	PCS 2	⑥ 910054 390x780x2282	PCS 1
⑦ 910055 390x780x2282	PCS 1	⑧ 702341 90x50	PCS 1



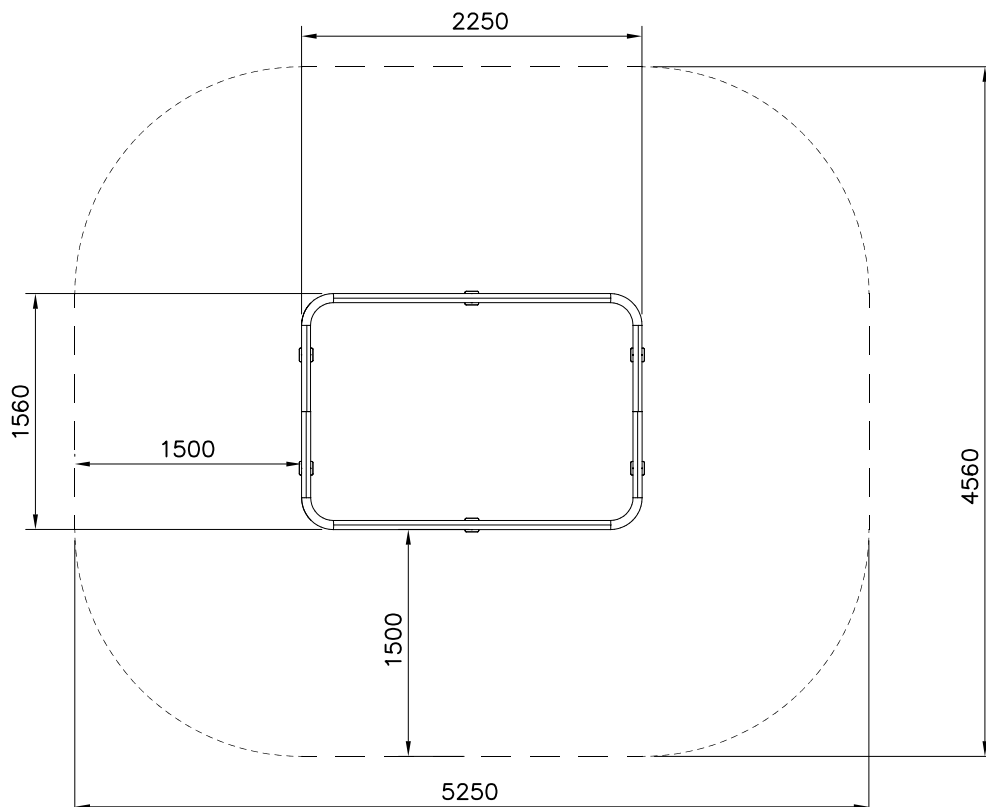
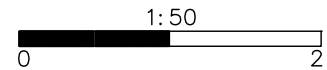
	PCS		PCS
	PCS		PCS

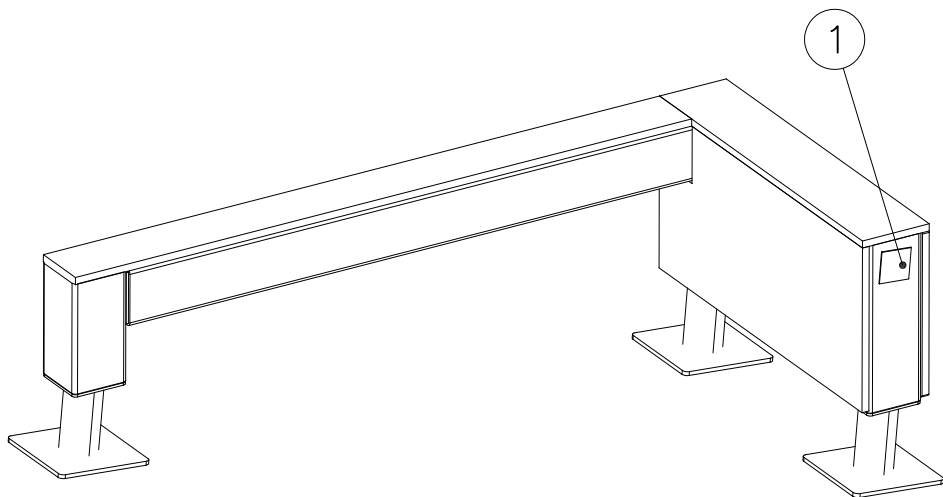
DET 1


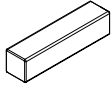



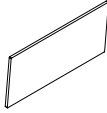
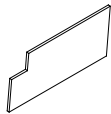
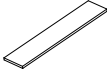

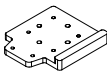
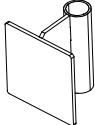




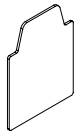


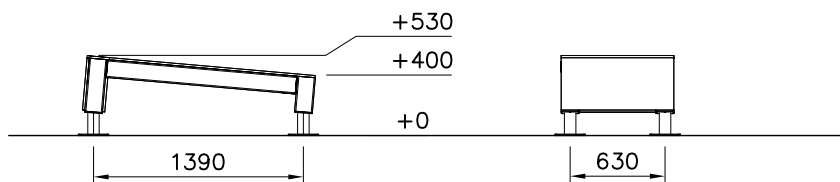


----- Falling Space 22 m2
Max Falling Height 390 mm

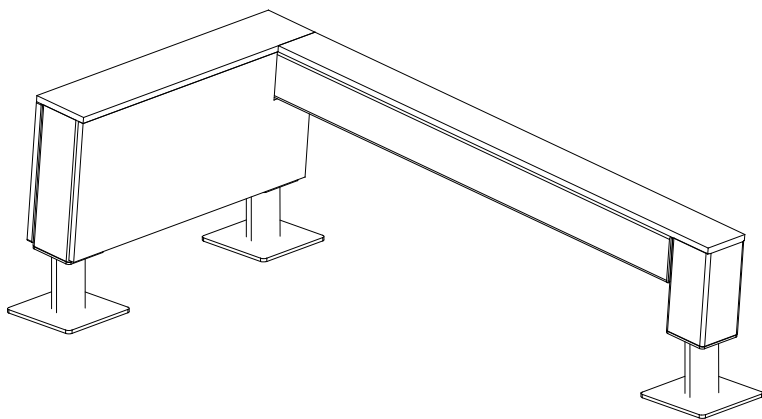







① 702286  65x65	PCS 1	② 707210  118x118x503	PCS 2
③ 707212  118x118x1254	PCS 1	④ 708347  118x118x231	PCS 1
⑤ 708443  118x118x352	PCS 2	⑥ 708727  15x346x745	PCS 1
⑦ 708730  15x346x745	PCS 1	⑧ 708733  15x148x745	PCS 1
⑨ 708734  15x118x1365	PCS 1	⑩ 708857 JIG  20x133x149	PCS 1
⑪ 910266  90x108x118	PCS 2	⑫ 900240  Ø8x70	PCS 16
⑬ 903093  Ø8x90	PCS 4	⑭ 905103  PT-28/32-H	PCS 2
⑮ 905112  Ø22	PCS 4	⑯ 908698  3x114x108	PCS 4

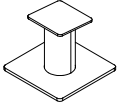



INSTALLATION OF A SECOND HAND

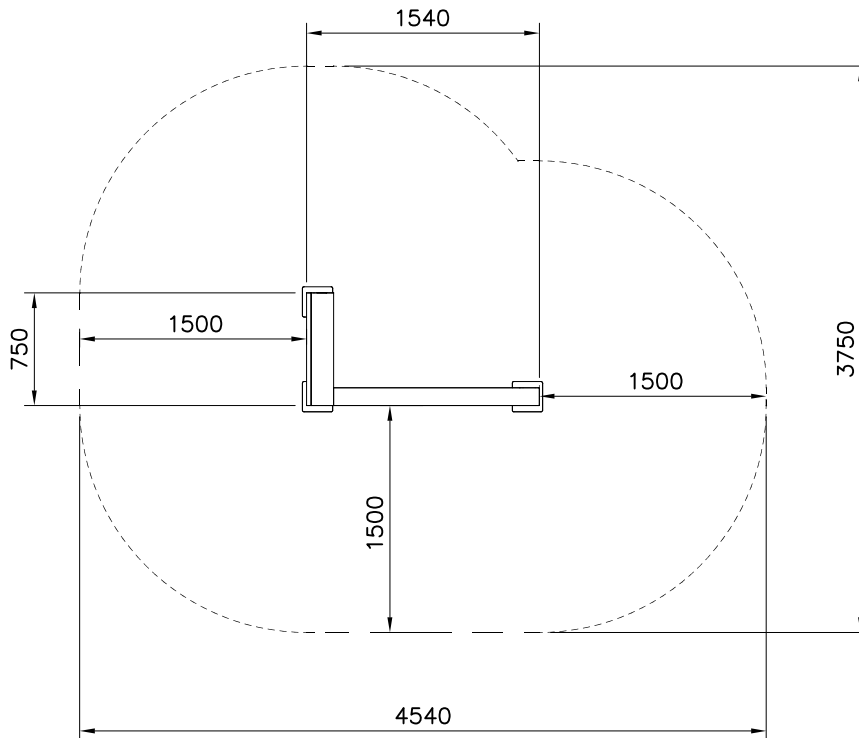
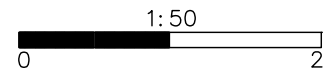


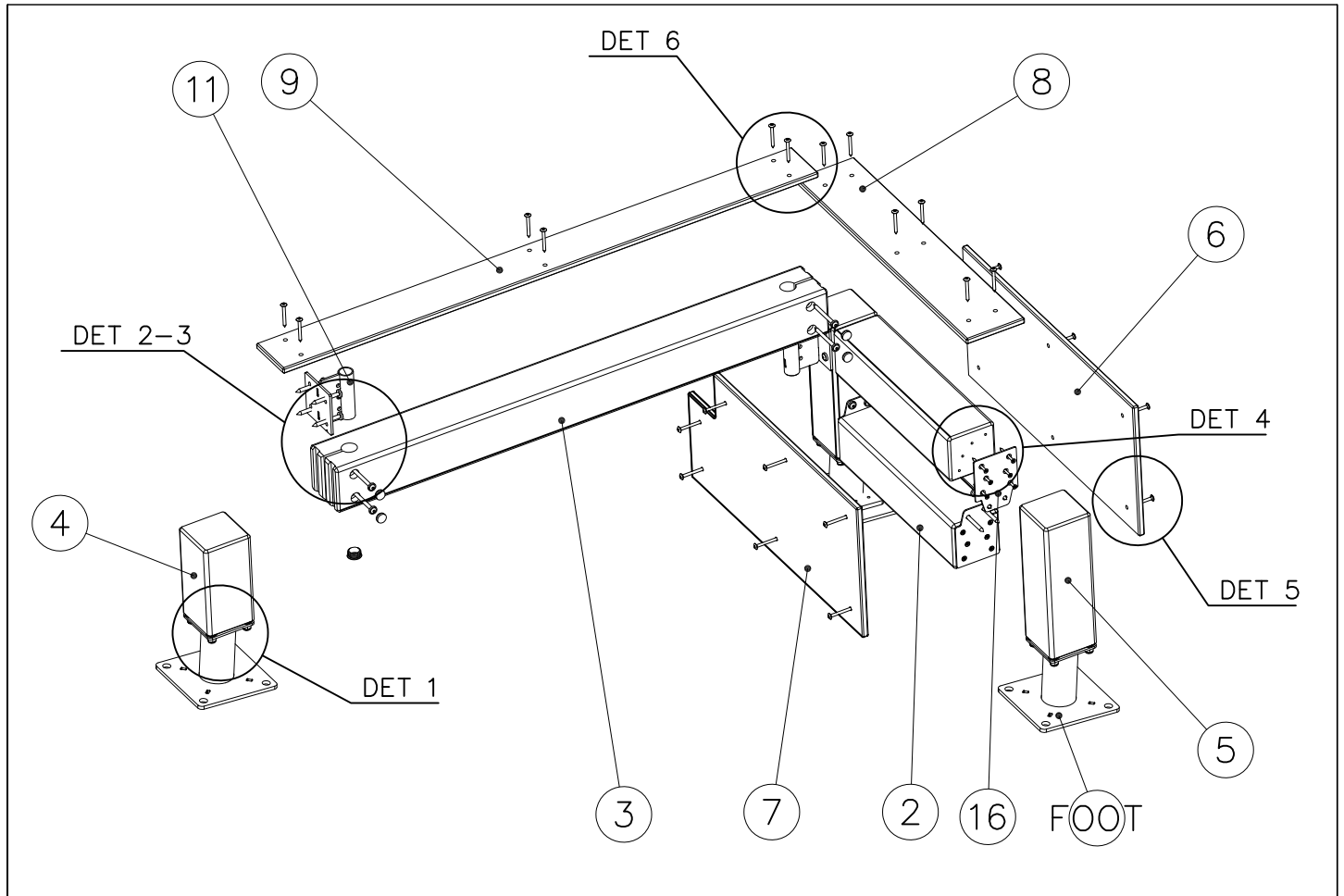
17	980100	PCS	18	980114	PCS	19	980123	PCS
		28			4			25
								
	Ø5x60			Ø4x20			Ø7x60	

FOOT OPTIONS

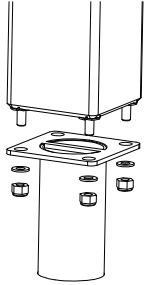
709261+		709262+	
○ 910267	PCS	○ 910567	PCS
SURFACE	3	CONCRETE	3
			
152x200x200		117x117x715	

----- Falling Space 13.8 m²
Max Falling Height 530 mm

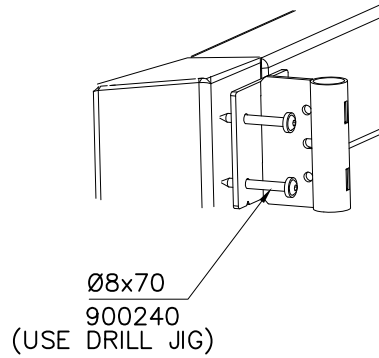




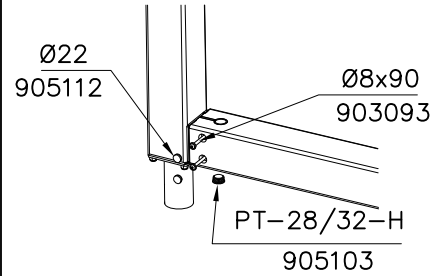
DET 1



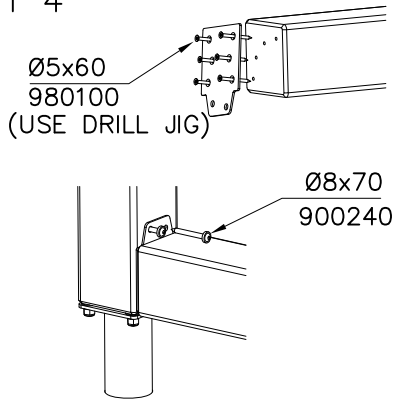
DET 2



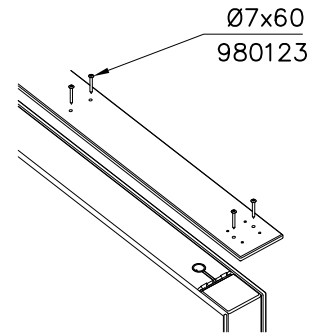
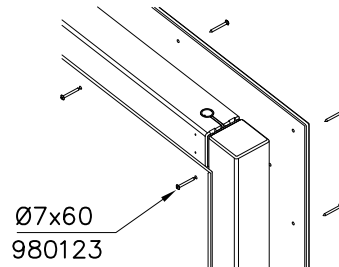
DET 3



DET 4

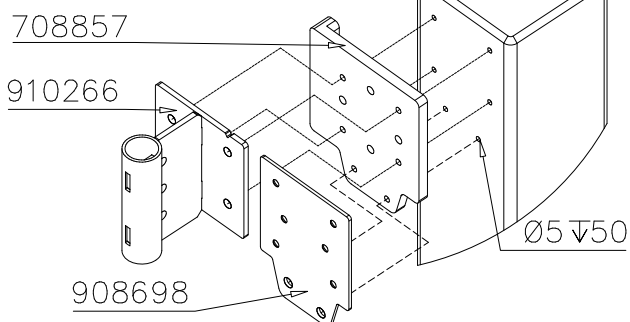


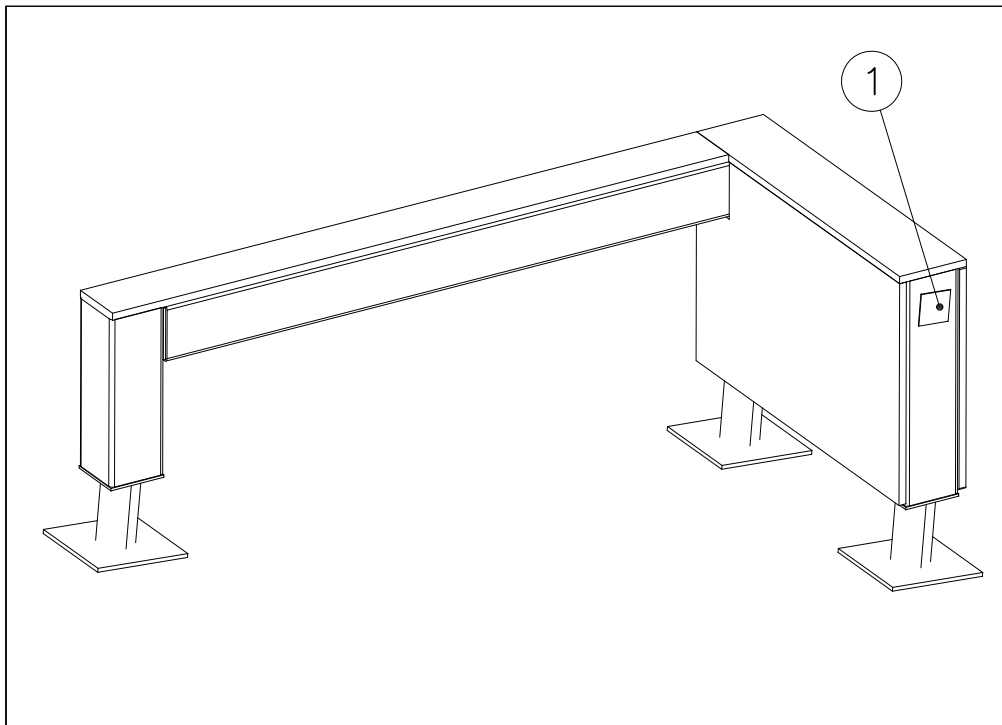
DET 5

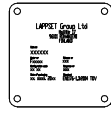
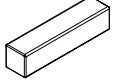



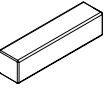
JIG DET A (USE DET 2-4)

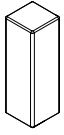
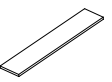
NOTE:
Use drill jig 708857
to predrill $\text{Ø}5\sqrt{50}$
holes for 910266
and 908698

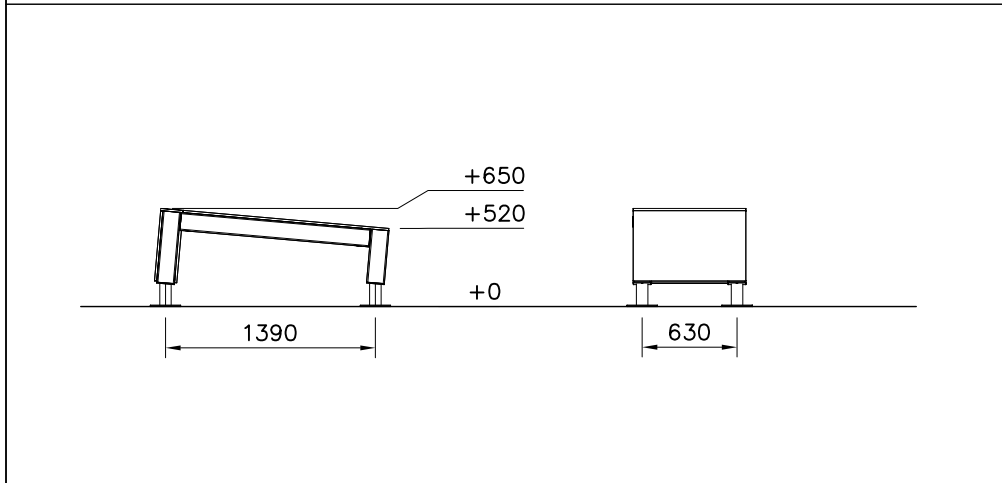



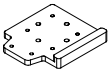


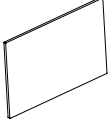

① 702286	PCS	② 707210	PCS
	1		2
65x65		118x118x503	

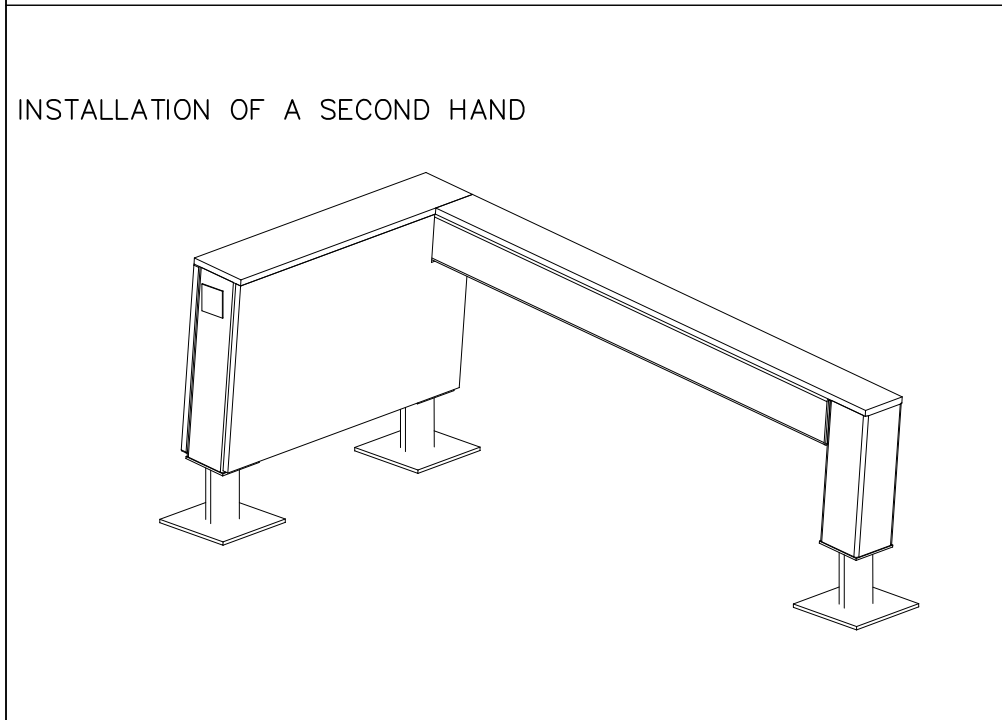
③ 707212	PCS	④ 707889	PCS
	1		2
118x118x1254		118x118x472	



⑤ 708443	PCS	⑥ 708733	PCS
	1		1
118x118x352		15x148x745	


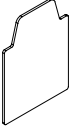


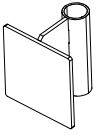
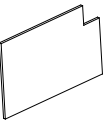
⑦ 708734	PCS	⑧ 708857 JIG	PCS
	1		1
15x118x1365		20x133x149	




⑨ 708731	PCS	⑩ 900240	PCS
	1		16
15x466x745		Ø8x70	



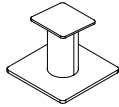
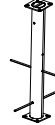
⑪ 903093	PCS	⑫ 905103	PCS
	4		2
Ø8x90		PT-28/32-H	

⑬ 905112	PCS	⑭ 908698	PCS
	4		4
Ø22		3x114x108	

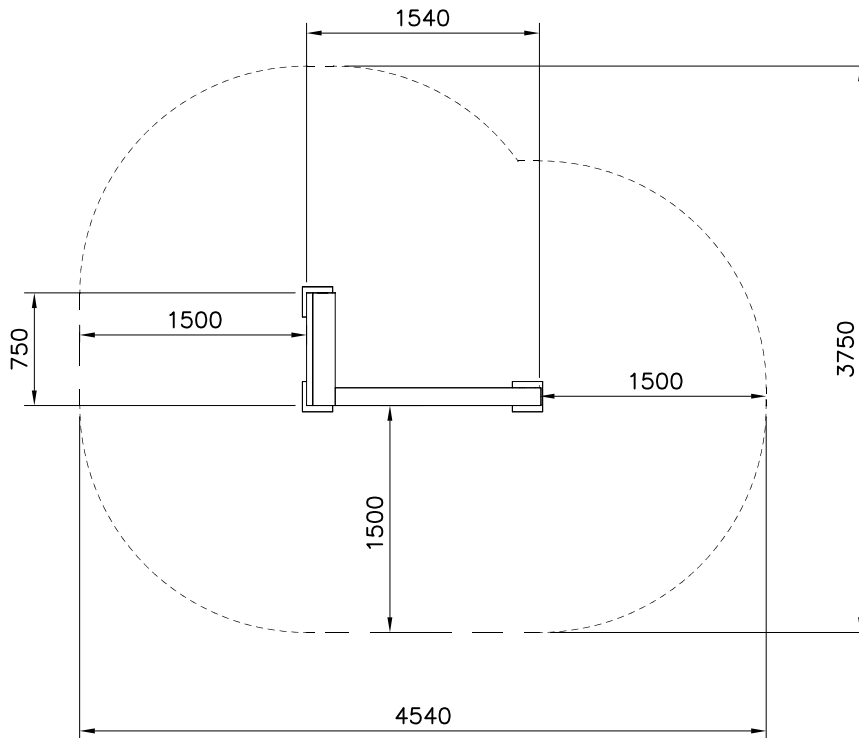
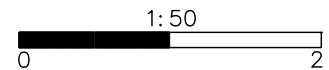
⑮ 910266	PCS	⑯ 708732	PCS
	2		1
90x108x118		15x466x745	

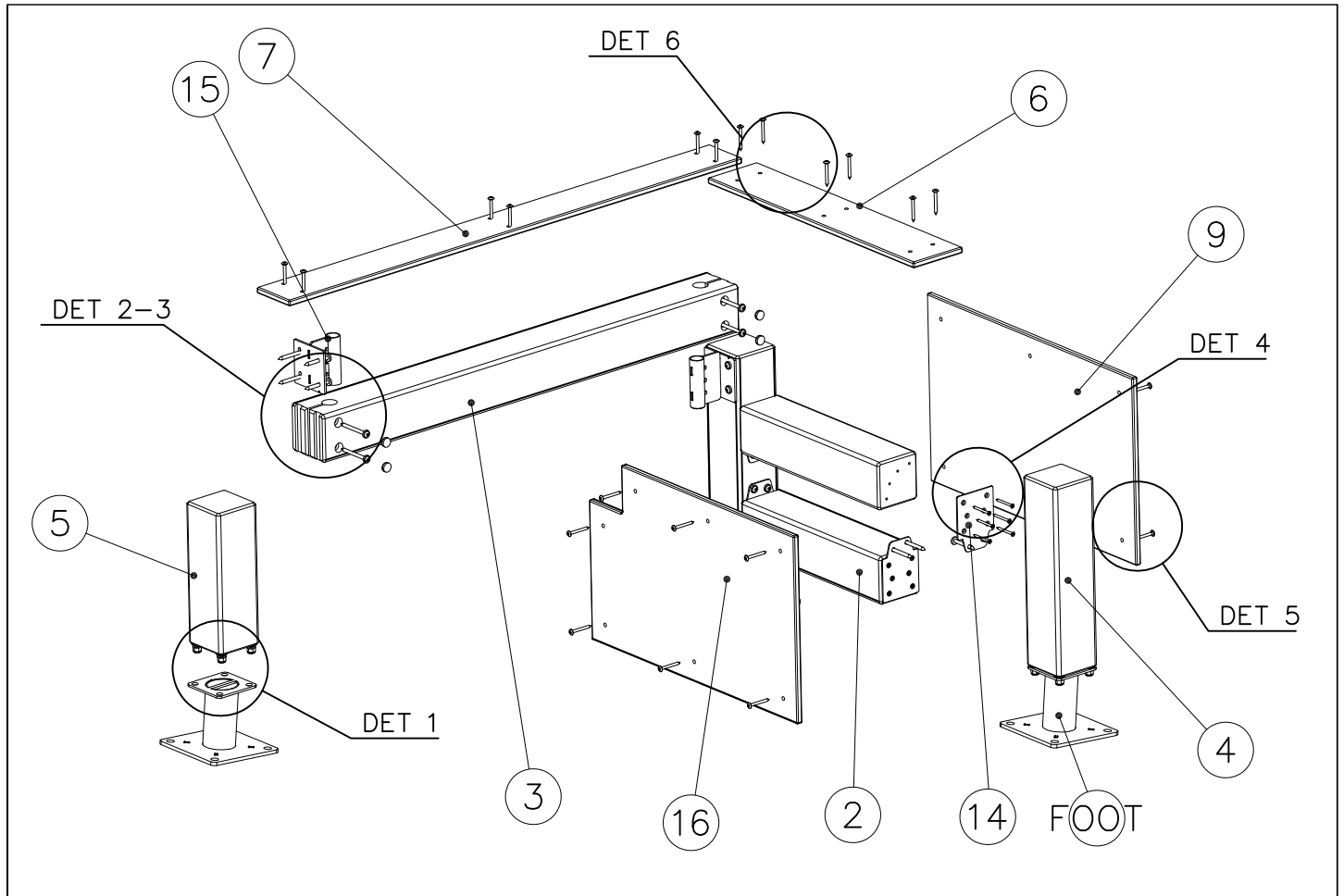
17	980100	PCS	18	980114	PCS	19	980123	PCS
		28			4			25
								
Ø5x60			Ø4x20			Ø7x60		

FOOT OPTIONS

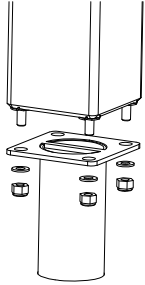
709261+		709262+	
○ 910267	PCS	○ 910567	PCS
SURFACE	3	CONCRETE	3
			
152x200x200		117x117x715	

----- Falling Space 13.8 m²
Max Falling Height 650 mm

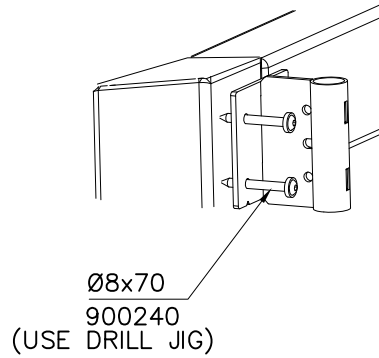




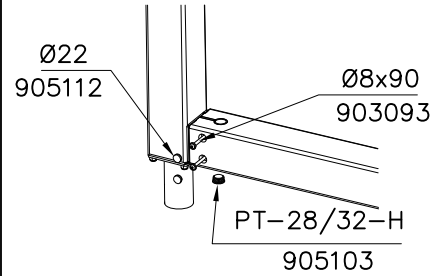
DET 1



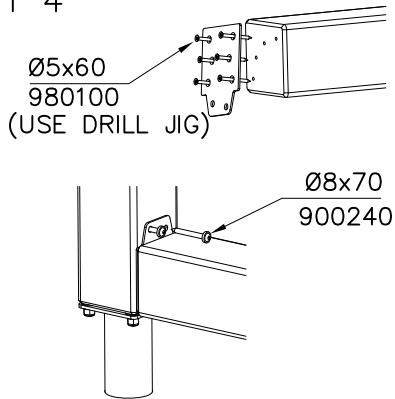
DET 2



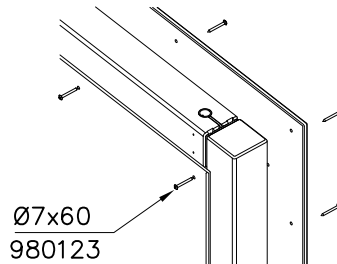
DET 3



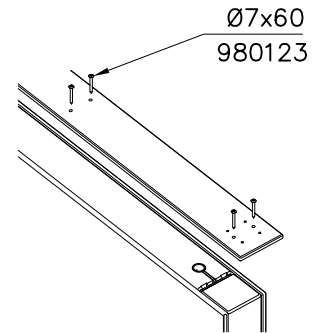
DET 4



DET 5

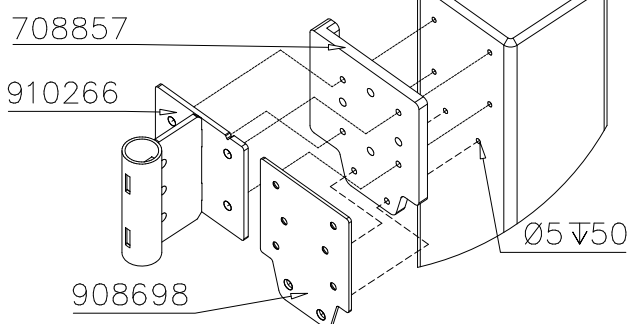


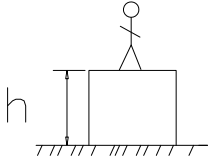
DET 6



JIG DET A (USE DET 2-4)

NOTE:
Use drill jig 708857
to predrill $\text{Ø}5\sqrt{50}$
holes for 910266
and 908698





$h < 1600$

Totally hard surfaces or materials with very limited impact attenuating properties.

Case by case risk assessment is needed including e.g. evaluation whether there is forced movement, what is the intended exercise and where will the product be installed.

Materials with significant impact attenuating properties.

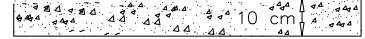
Totally hard surfaces.
E.g. concrete or asphalt



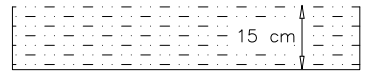
Materials with very limited impact attenuating properties.
E.g. wood



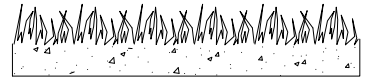
fine gravel 0–8 mm



Unsorted sand/ topsoil



Lawn

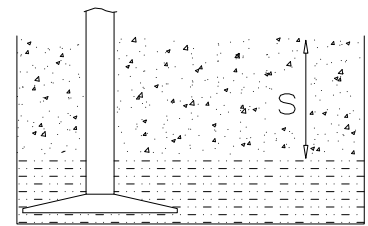


$h = 1600-$

$h < 3000$

Loose fill material

E.g.
sand/gravel 0,25...8 mm $D_{60}/D_{10} < 3,0$
Woodchips 5...30 mm
bark 20...80 mm



\underline{S}
30 cm \underline{h}
 < 3,0 m

Synthetic granulates

\underline{S}	\underline{h}
40 mm	~> 1,6...~< 1,8 m
50 mm	~> 1,8...~< 2,25 m
55 mm	~> 2,25...~< 2,4 m
60 mm	~> 2,4...~< 2,55 m
70 mm	~> 2,55...~< 3,0 m

Note. For accurate values, see manufacturer's instructions.

