

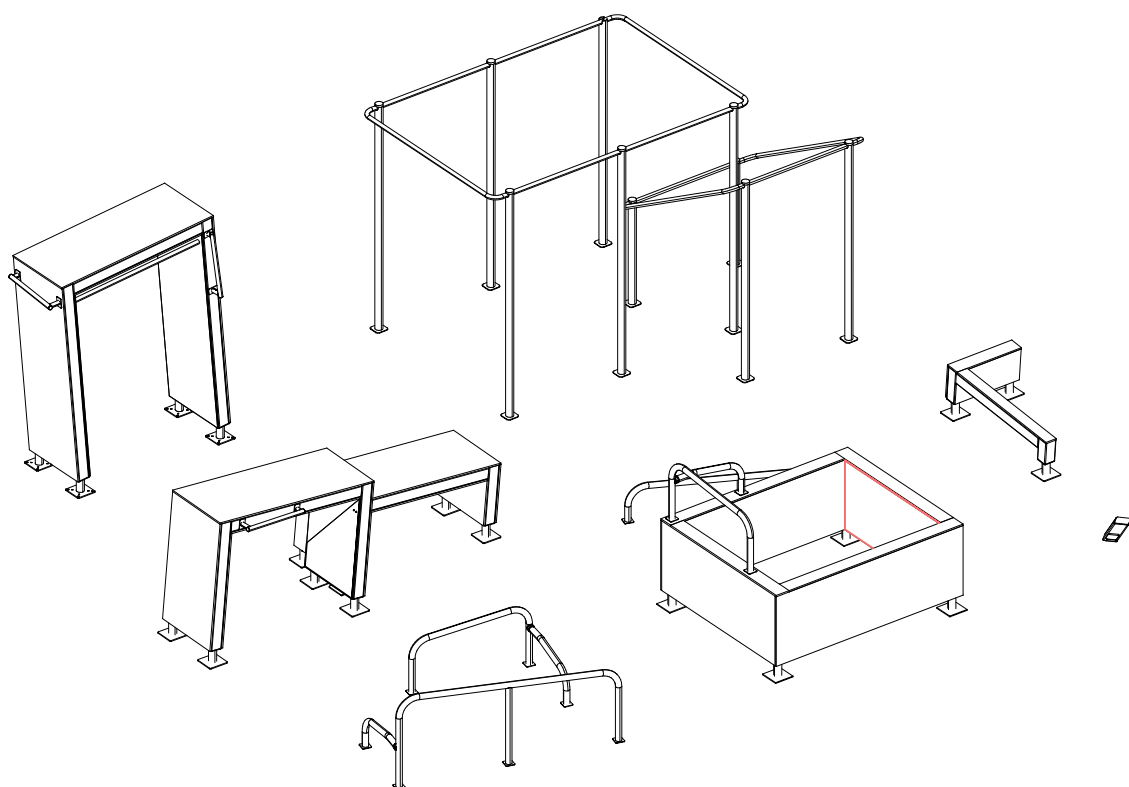
LAPPSET®

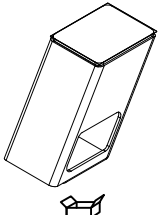
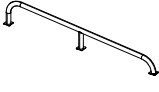
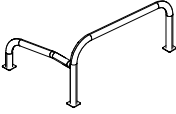
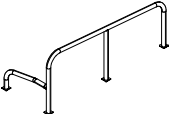
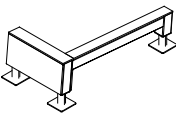
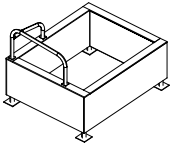
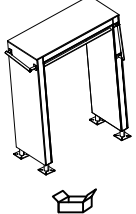
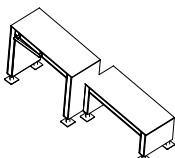
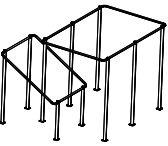
DASH PARKOUR

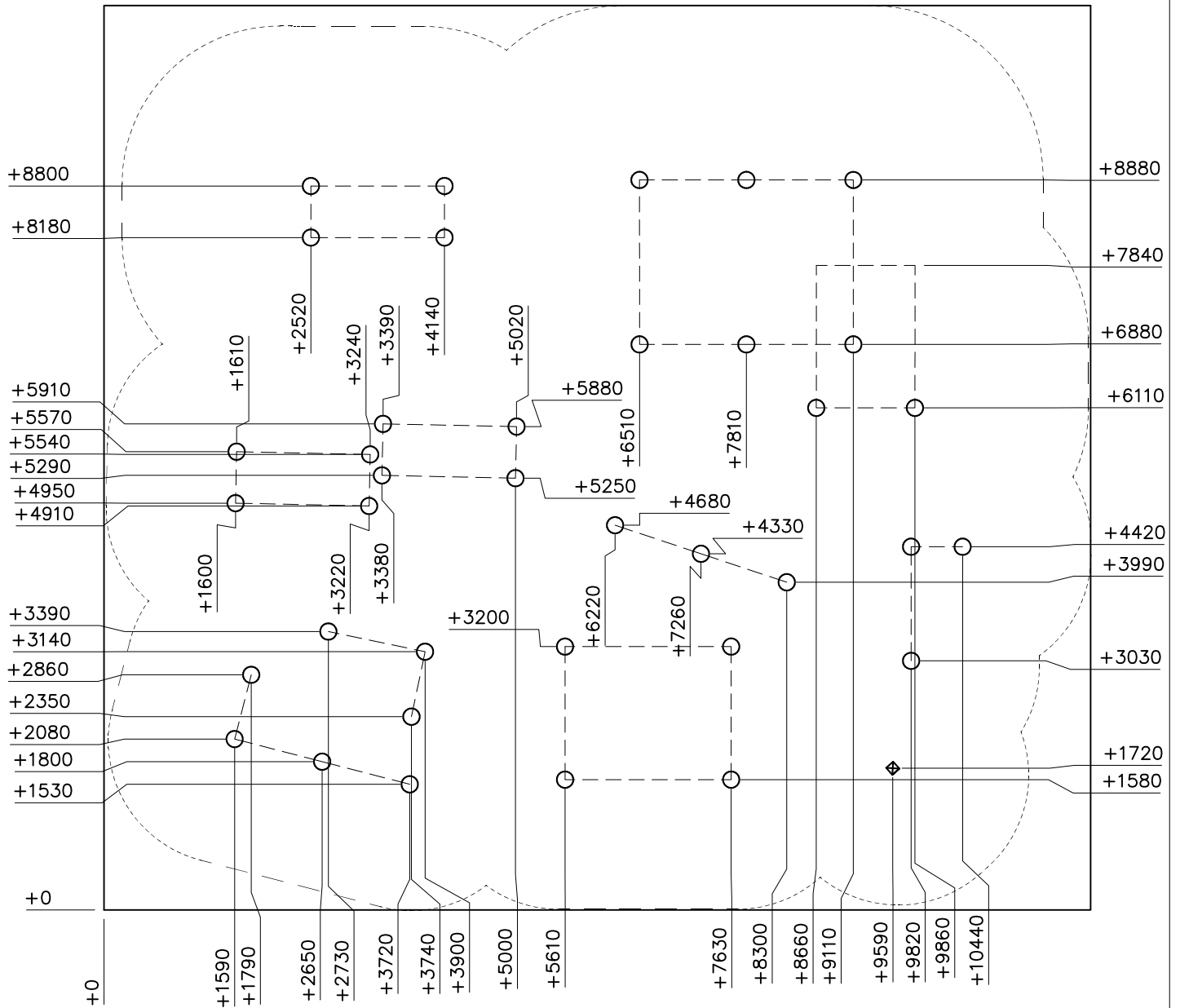
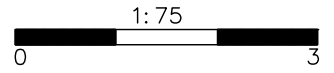
ASENNUSOHJE
MONTERINGSANSVISNING
INSTALLATION INSTRUCTION
AUFBAUANLEITUNG
NOTICE D'INSTALLATION

DATE: 16.1.2020

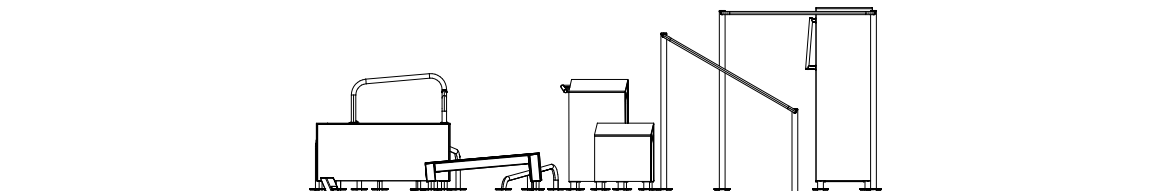
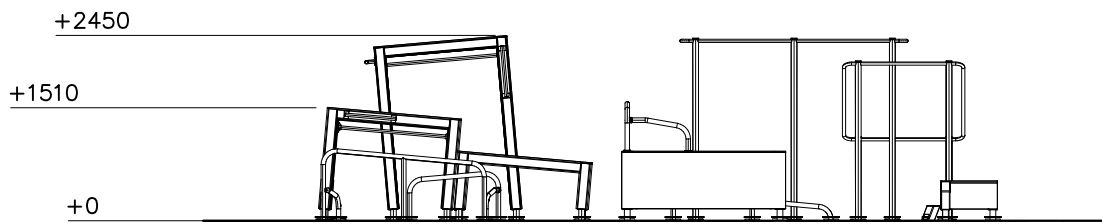
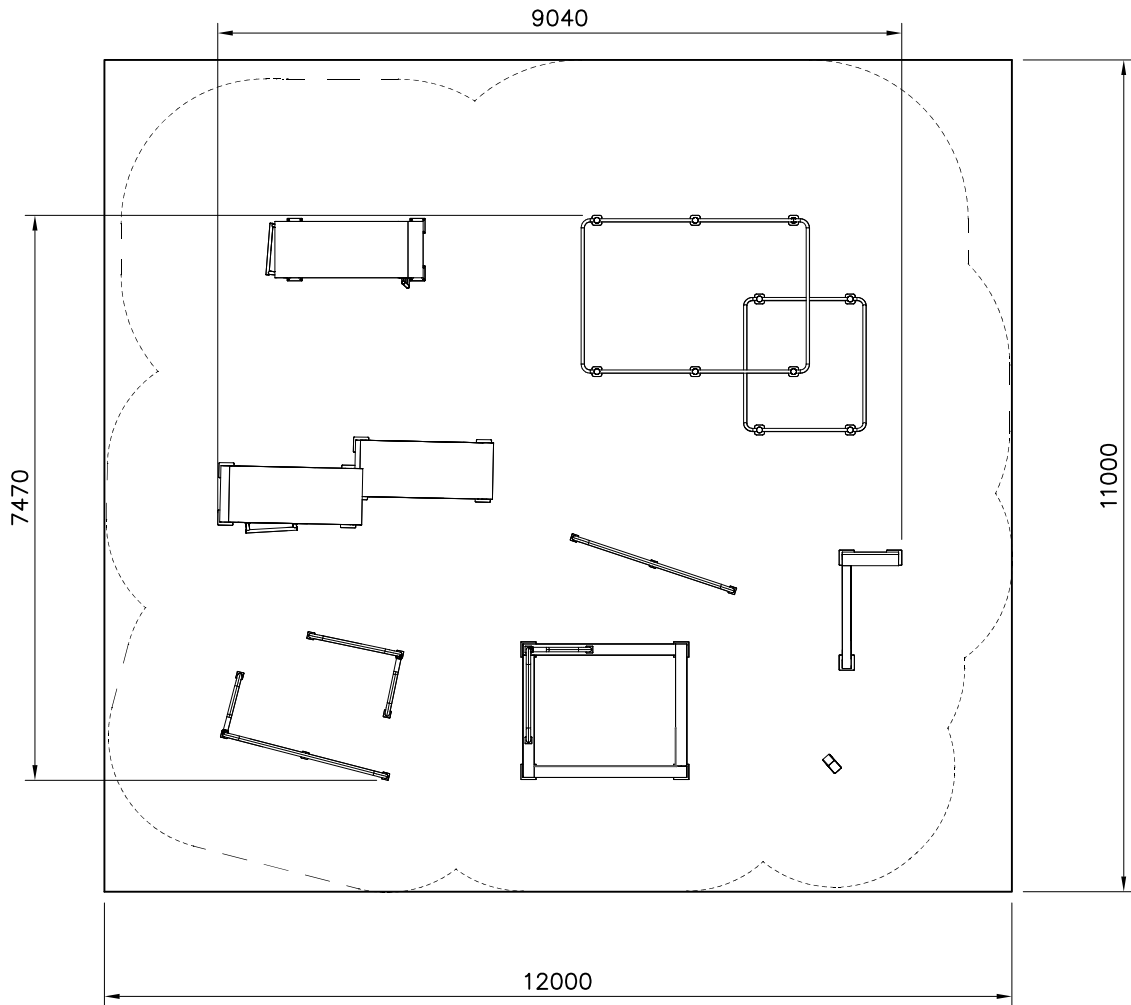
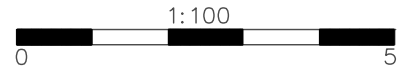
081782M

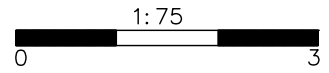


081700M  1	PCS 1	081710M  1	PCS 1	081711M  1	PCS 1	081712M  1	PCS 1	081720M  1	PCS 1	081728M  1	PCS 1
081732M  1	PCS 1	081736M  1	PCS 1	081750M  1	PCS 1		PCS		PCS		PCS
	PCS		PCS		PCS		PCS		PCS		PCS
	PCS		PCS		PCS		PCS		PCS		PCS
	PCS		PCS		PCS		PCS		PCS		PCS
	PCS		PCS		PCS		PCS		PCS		PCS
	PCS		PCS		PCS		PCS		PCS		PCS

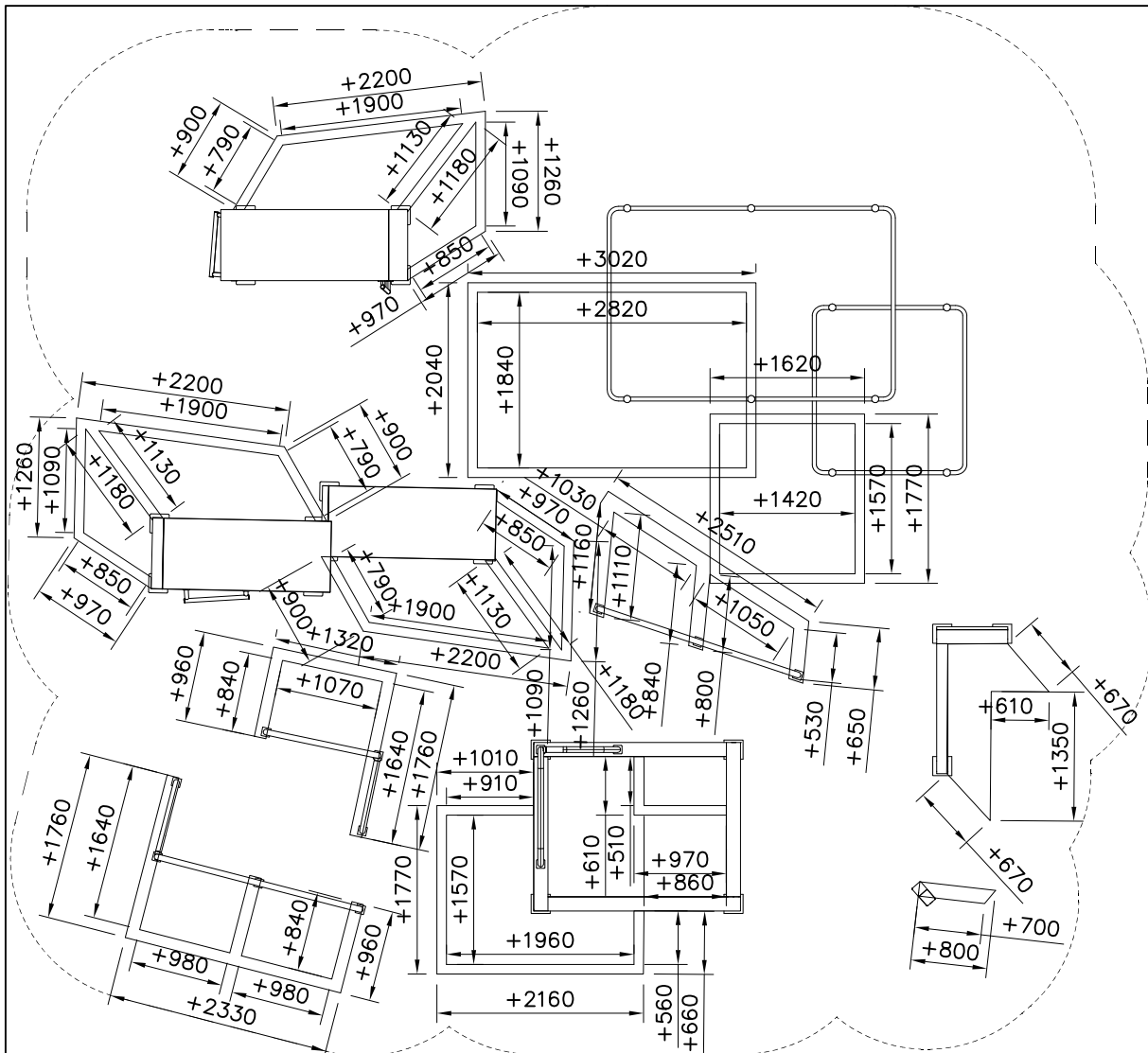


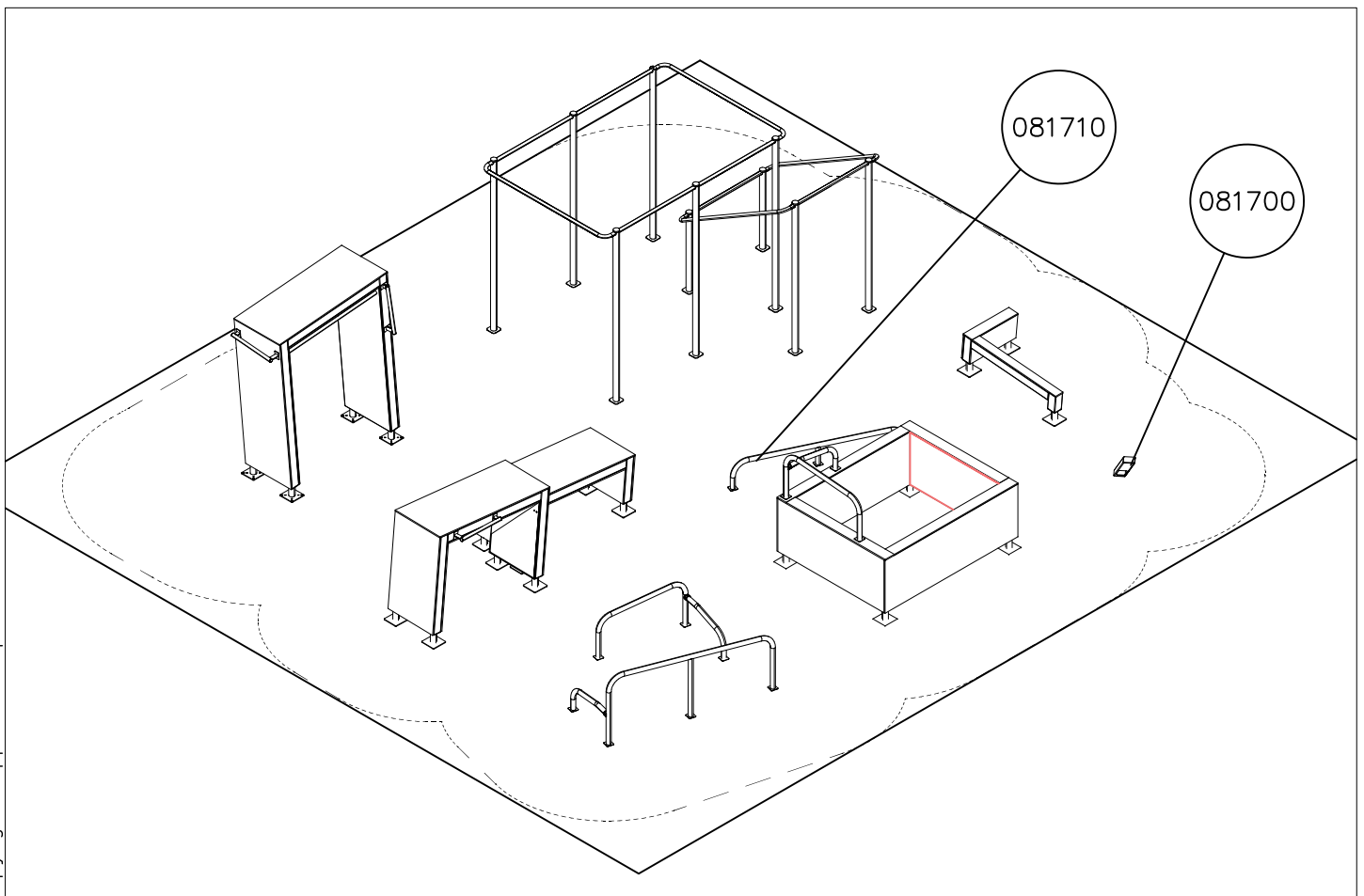
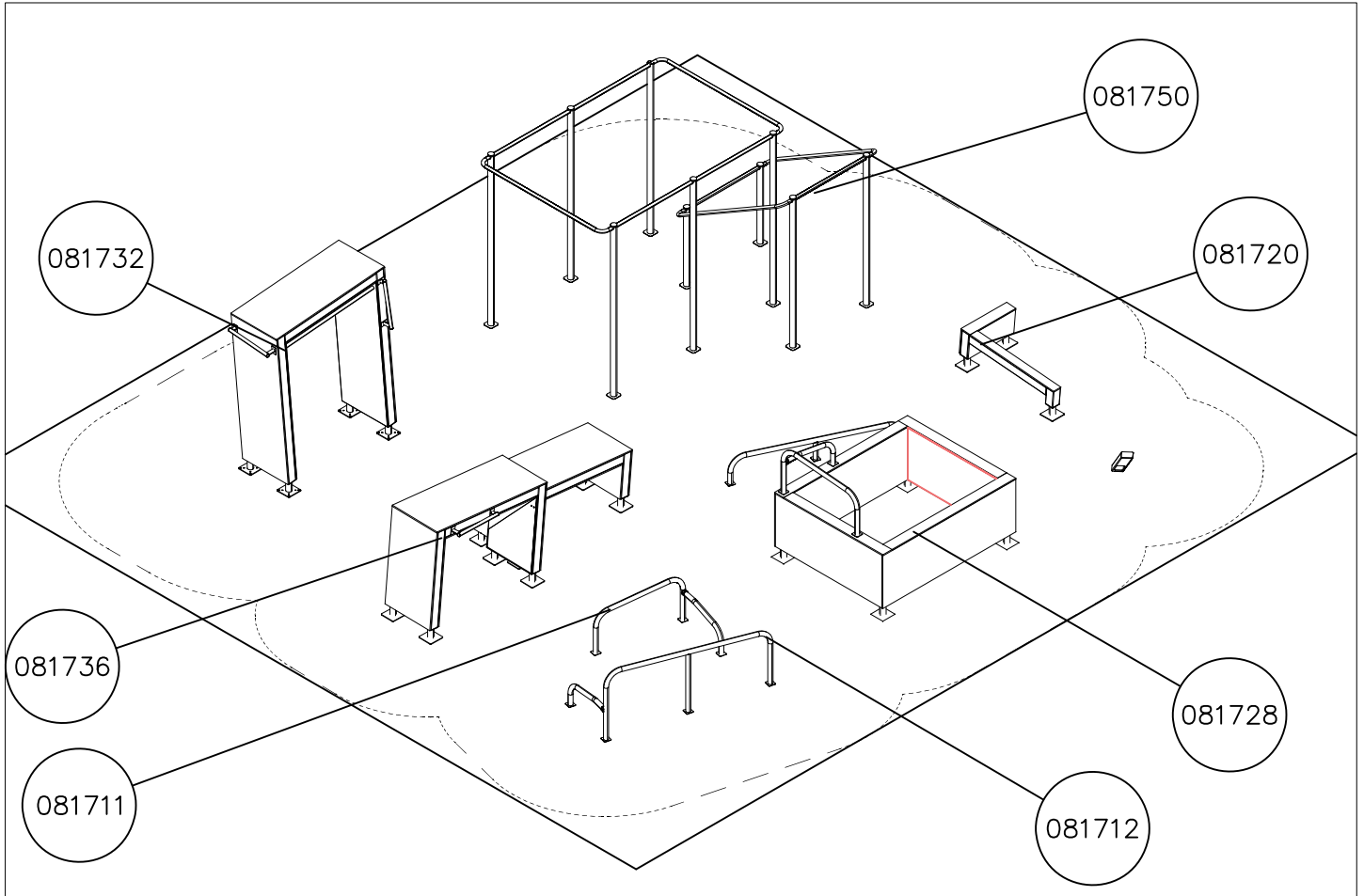
— Falling Space 119.1 m²
Max Falling Height 2450 mm

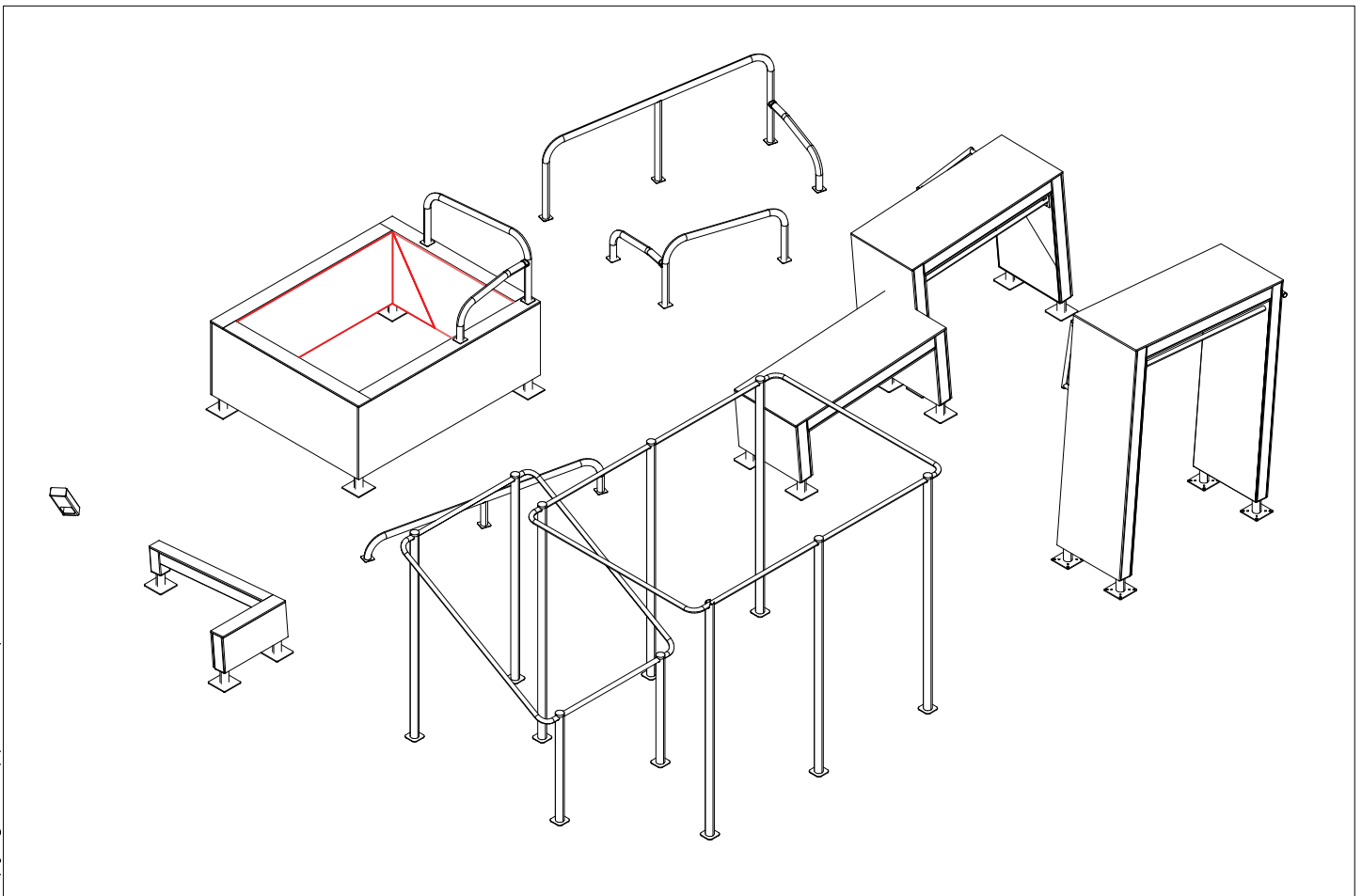
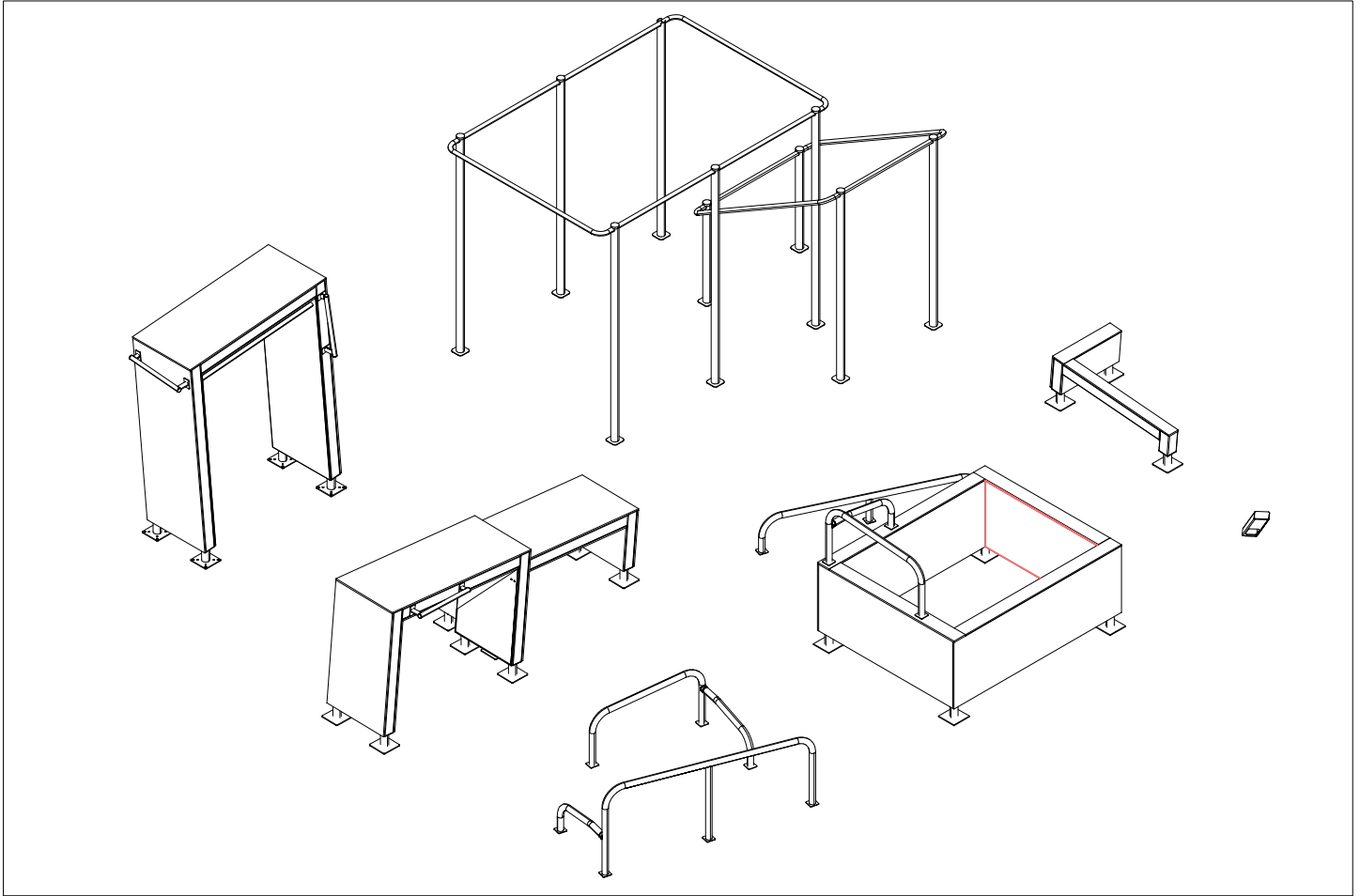


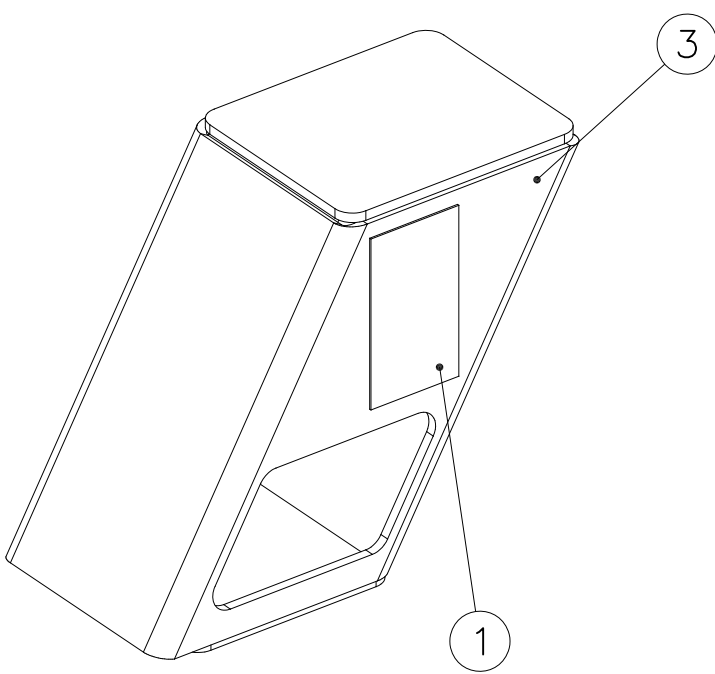


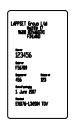
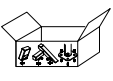
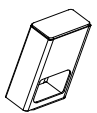
Groundmarks








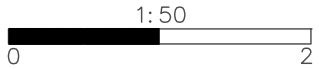
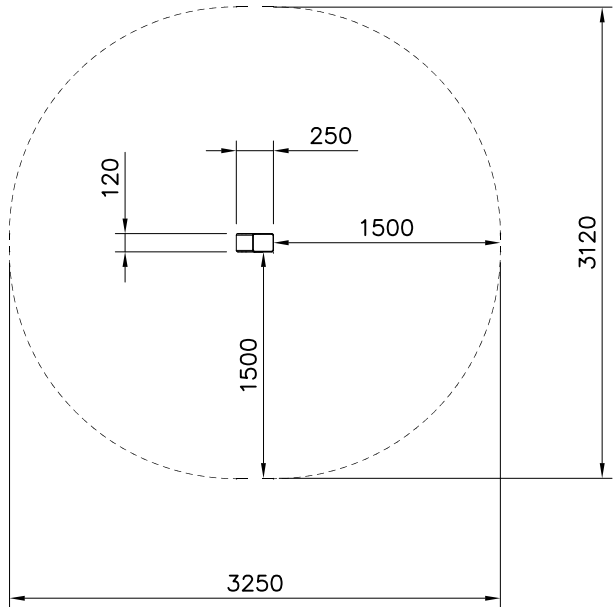
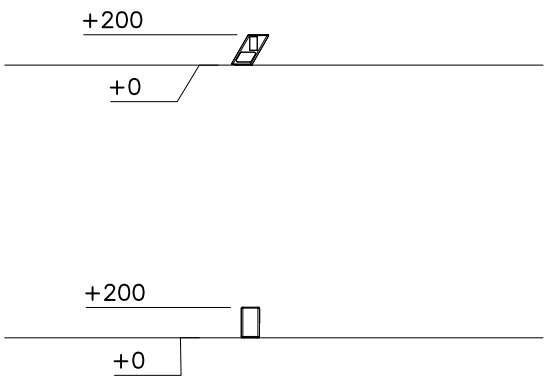


① 702341	PCS	② 709381	PCS
	1		2
90x50		SURFACE	
		③ 910219	PCS
			1
		120x120x200	

FOOT OPTION FOR DEEP MOUNTING

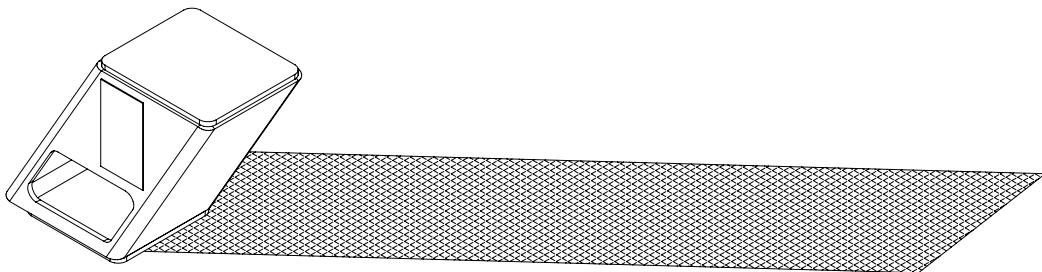
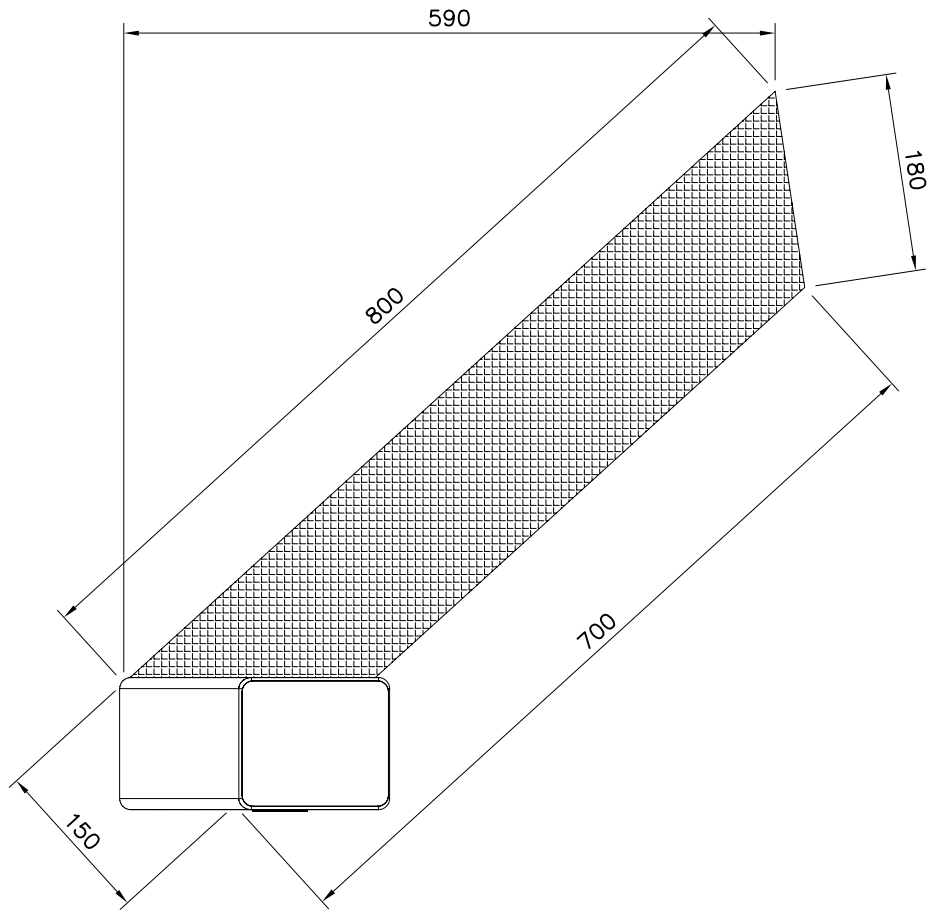
709379+		④ 902564	PCS
			1
L 550			

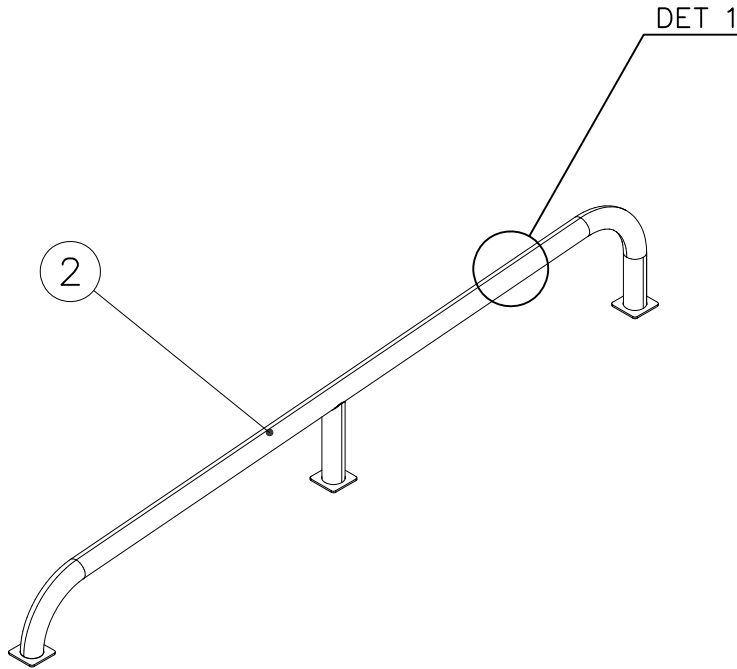
----- Falling Space 8.2 m2
Max Falling Height 200 mm


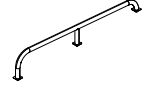
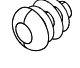




Copyright Lappset Group Ltd

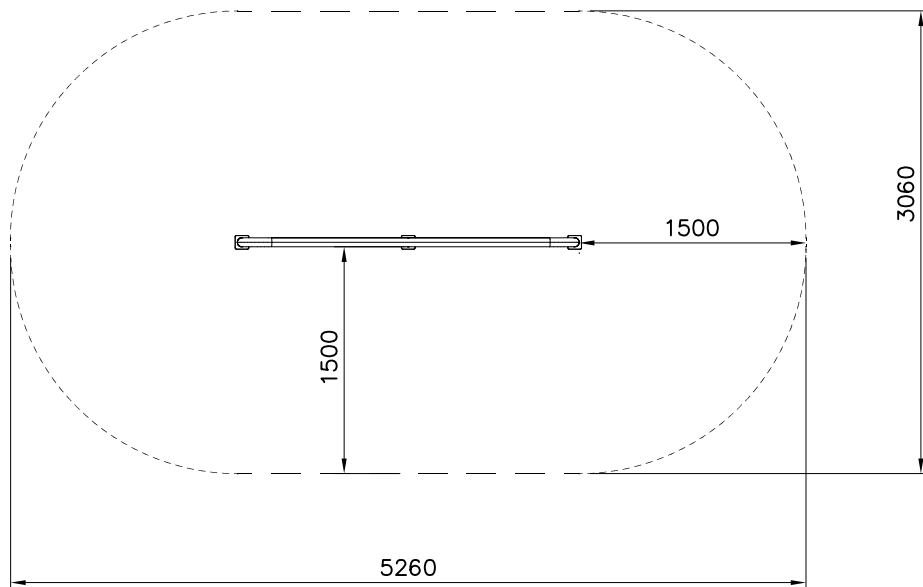
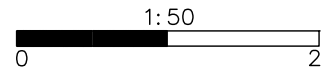
Shadow lines

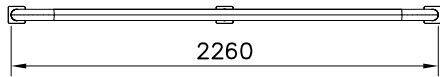
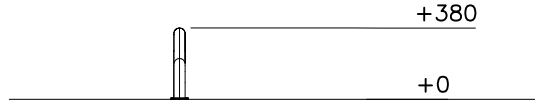
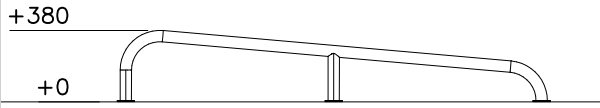




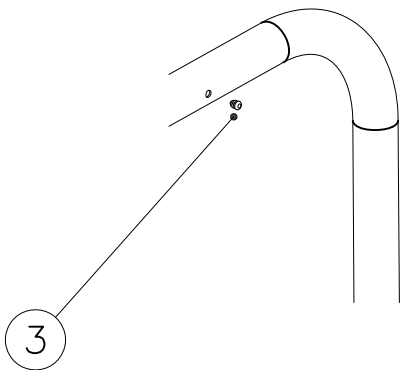
① 702341  90x50	PCS	② 910253  Ø60x376x2290	PCS
	1		1
③ 903533  SRL12	PCS		PCS
	4		

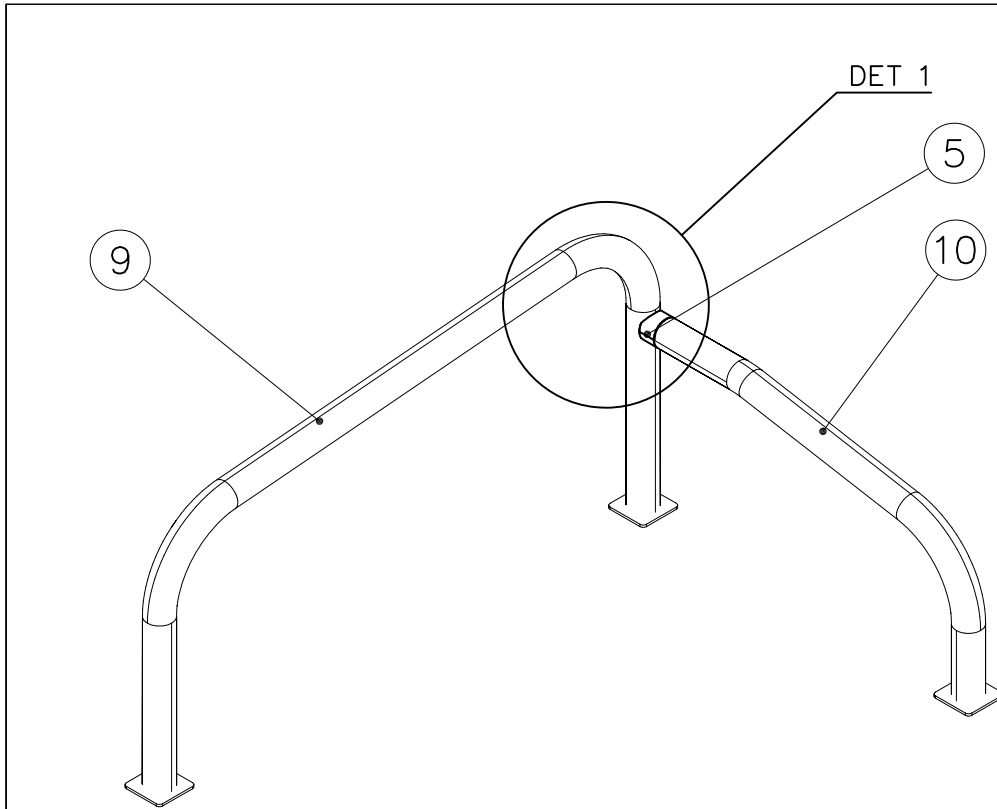
----- Falling Space 14.2 m²
 Max Falling Height 380 mm



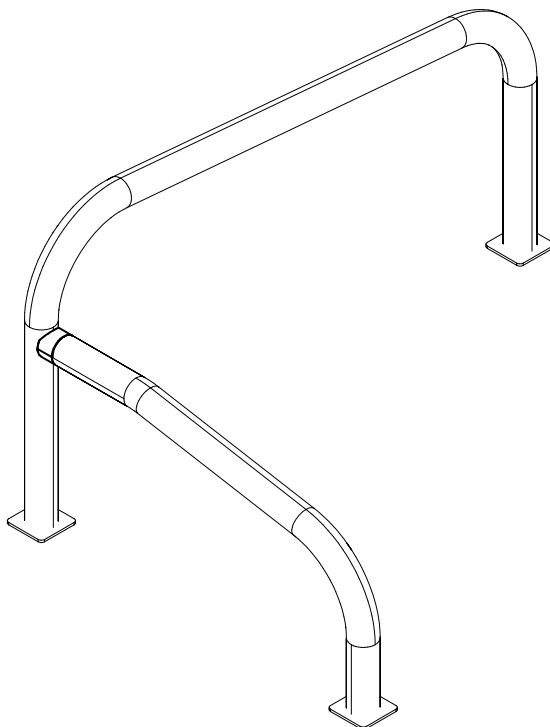


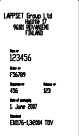

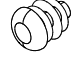
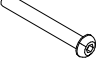
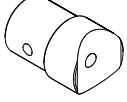




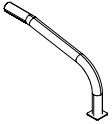

DET 1






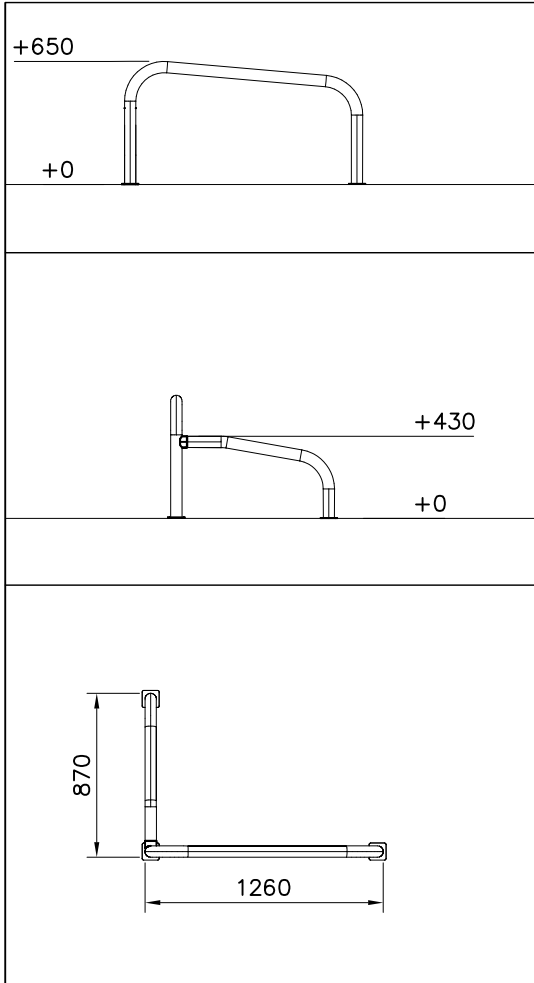
OPTION LEFT-HANDED



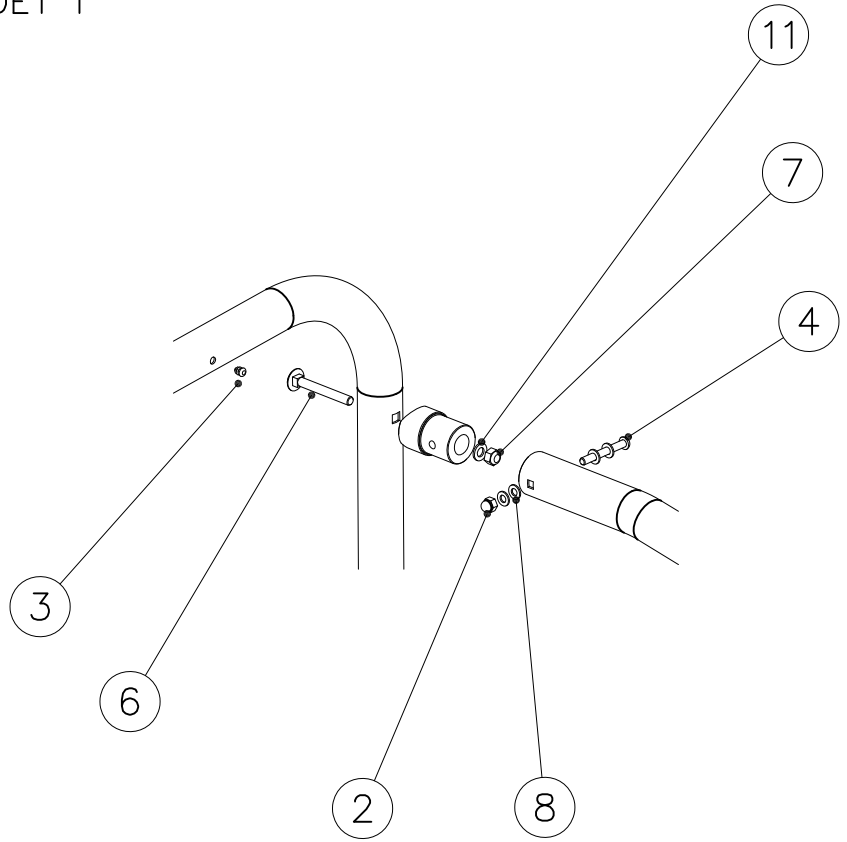
①	702341	PCS	②	900965	PCS
		1			1
	90x50		M10		
③	903533	PCS	④	904133	PCS
		4			1
	SRL12		M10x80		
⑤	908069	PCS	⑥	909111	PCS
		1			1
	Ø60x87.6		M12x100		
⑦	909248	PCS	⑧	909638	PCS
		1			4
	M12		Ø20/10.5		
⑨	910254	PCS	⑩	910262	PCS
		1			1
	Ø60x650x1290		Ø60x435x795		
⑪	980154	PCS			PCS
		1			
	Ø24/13				

FOOT OPTION FOR DEEP MOUNTING

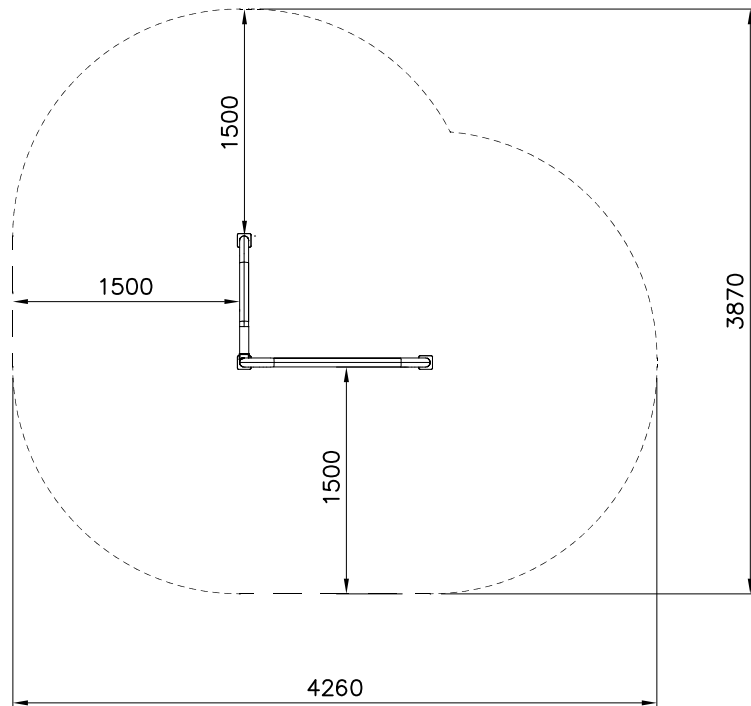
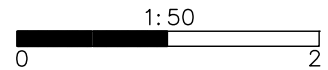
○	709379+	
○	902564	PCS
		3
	L 550	

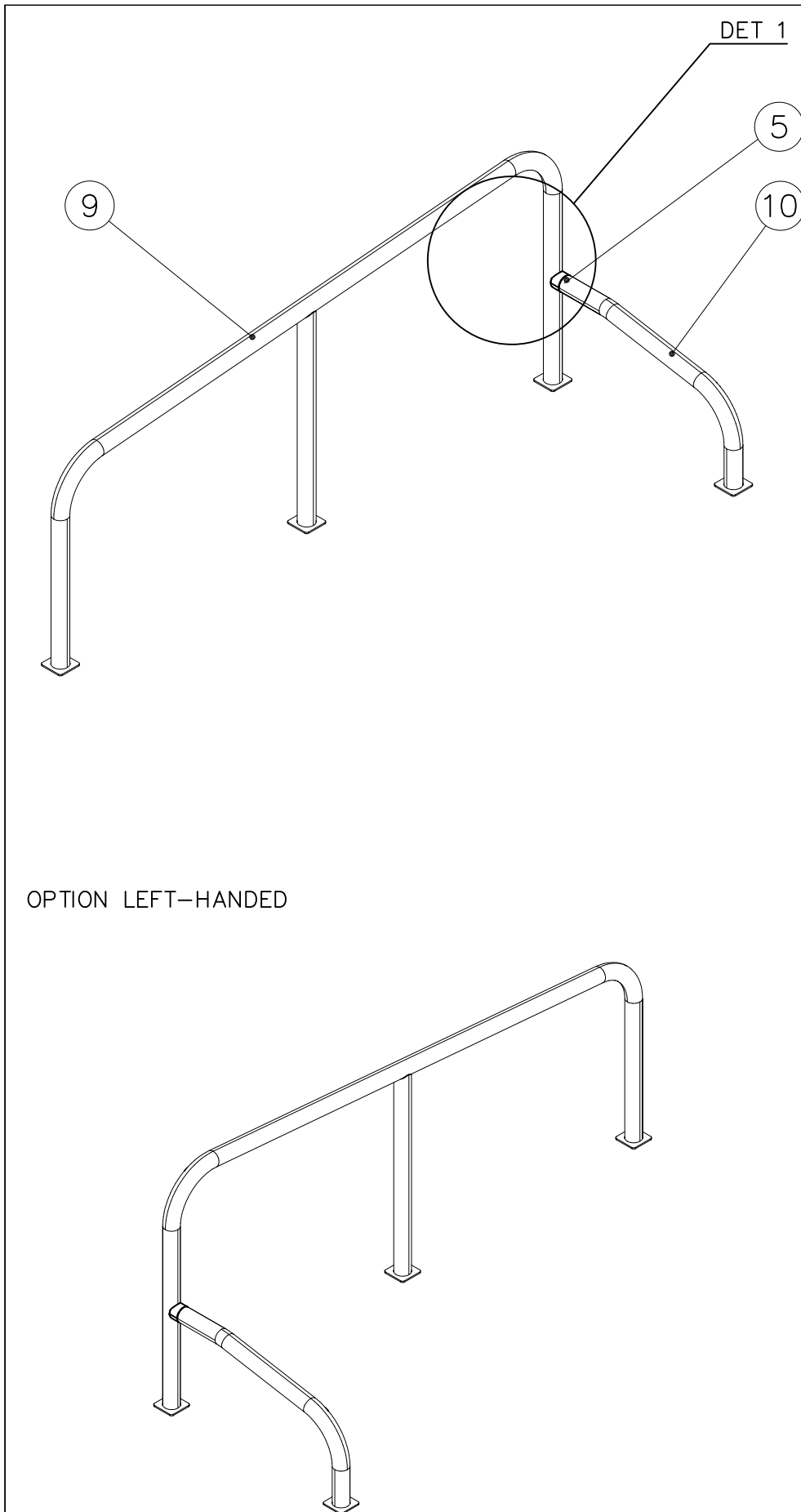


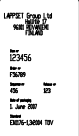

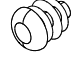
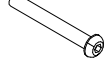
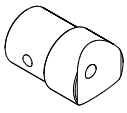



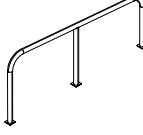
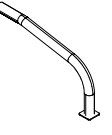

DET 1

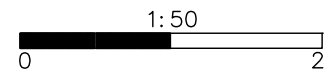
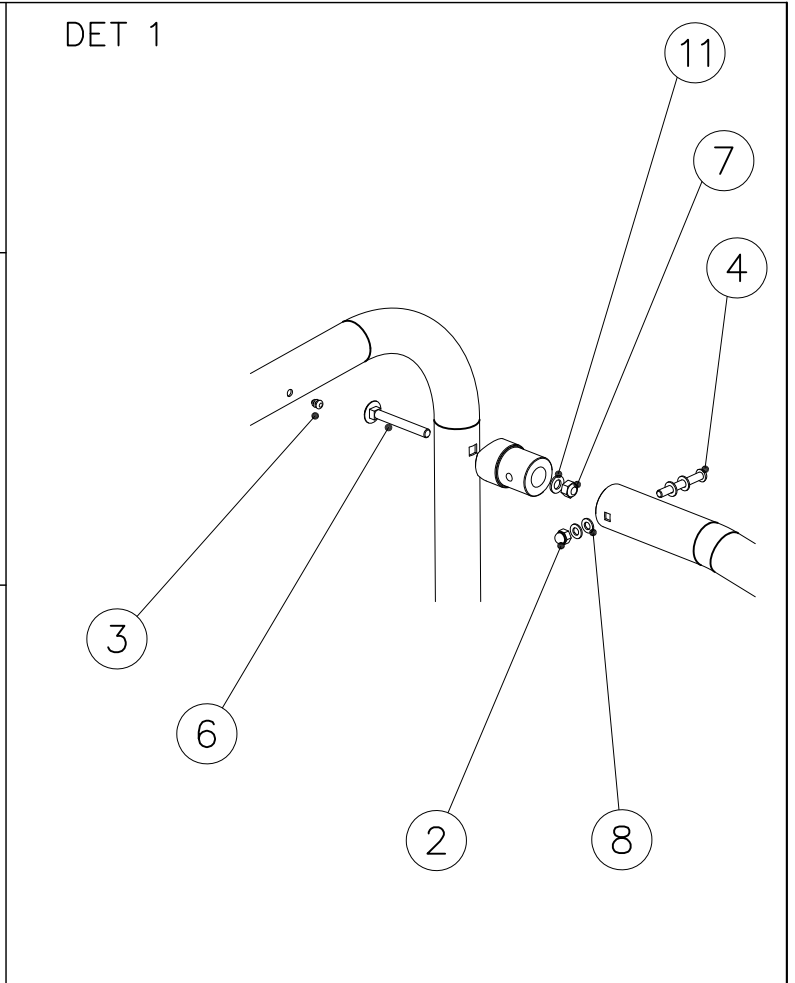
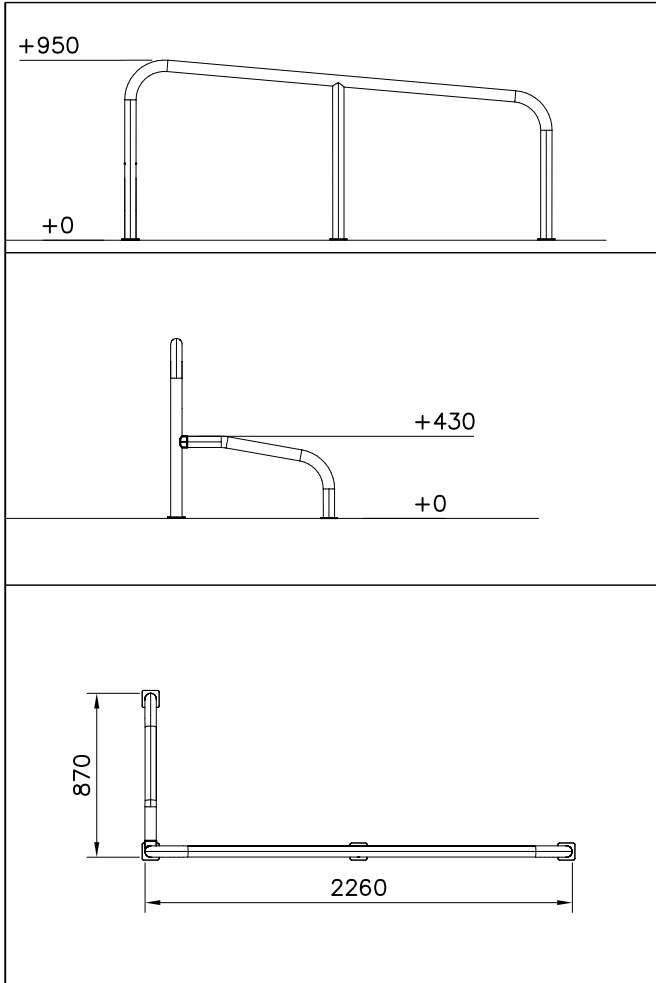


----- Falling Space 13.1 m²
Max Falling Height 650 mm

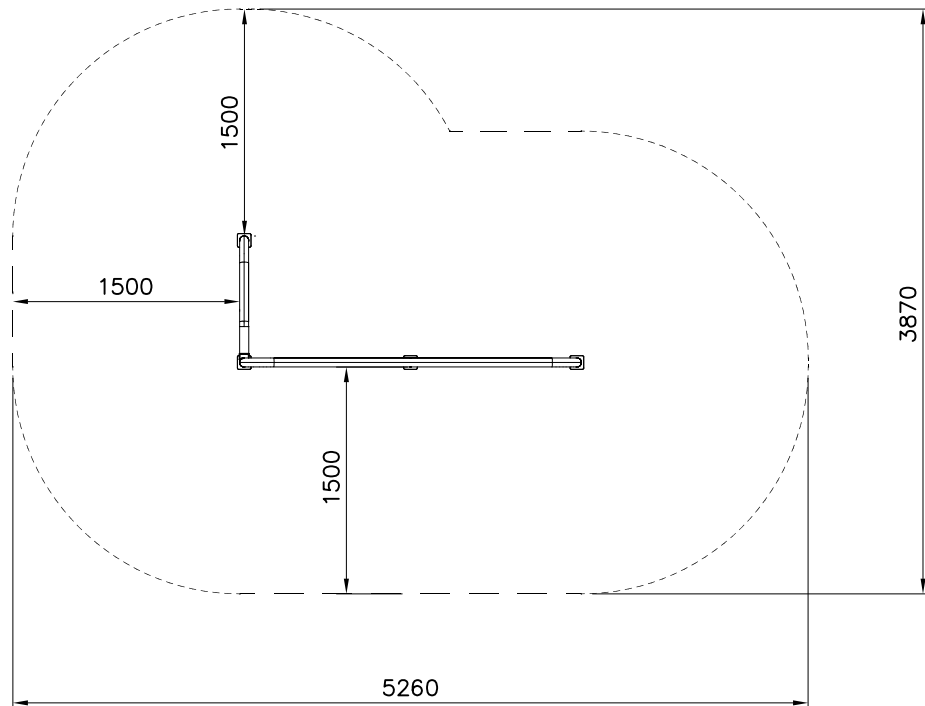


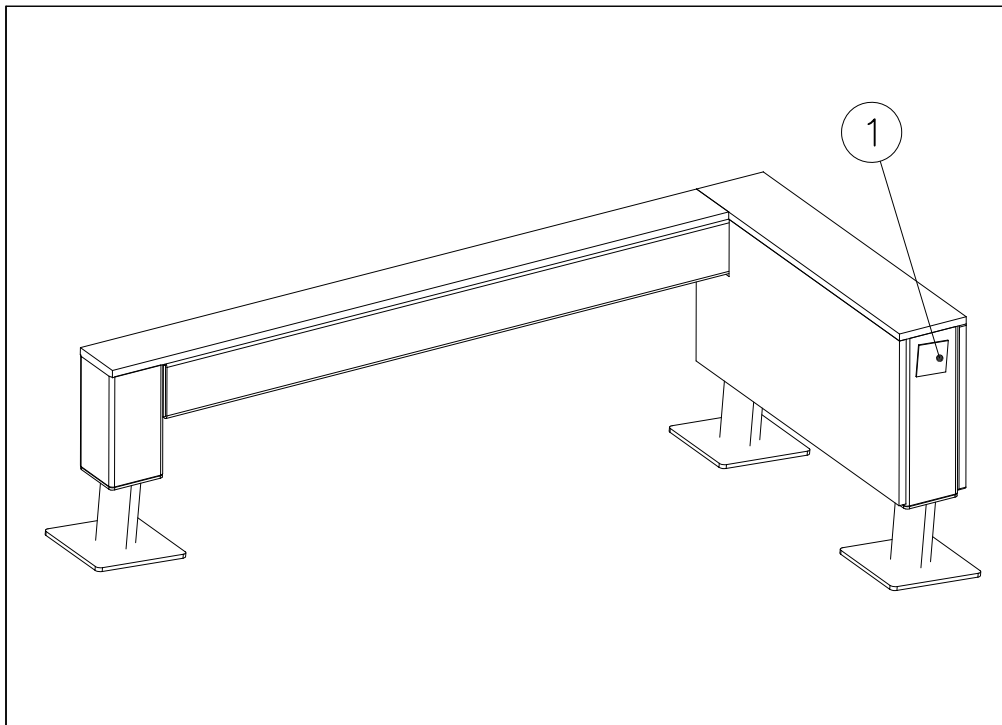



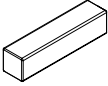
①	702341	PCS	②	900965	PCS
		1			1
	90x50			M10	
③	903533	PCS	④	904133	PCS
		4			1
	SRL12			M10x80	
⑤	908069	PCS	⑥	909111	PCS
		1			1
	Ø60x87.6			M12x100	
⑦	909248	PCS	⑧	909638	PCS
		1			4
	M12			Ø20/10.5	
⑨	910255	PCS	⑩	910262	PCS
		1			1
	Ø60x950x2290			Ø60x435x795	
⑪	980154	PCS			PCS
		1			
	Ø24/13				






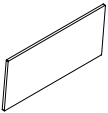
----- Falling Space 16.2 m2
 Max Falling Height 950 mm

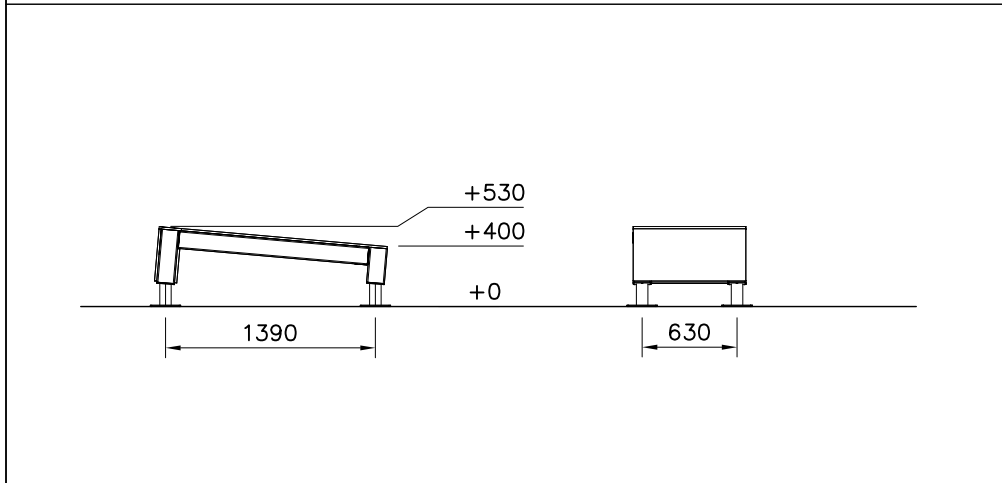


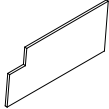
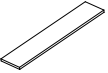



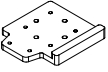
①	702286	PCS	②	707210	PCS
		1			2
	65x65			118x118x503	

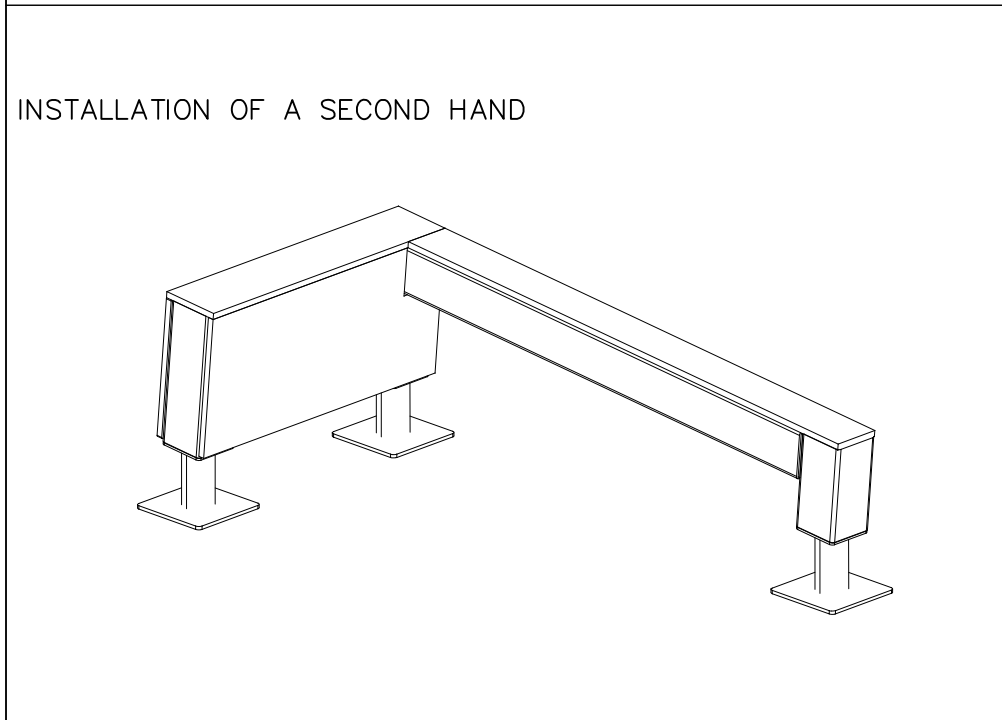
③	707212	PCS	④	708347	PCS
		1			1
	118x118x1254			118x118x231	

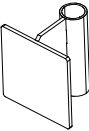

⑤	708443	PCS	⑥	708727	PCS
		2			1
	118x118x352			15x346x745	






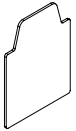
⑦	708730	PCS	⑧	708733	PCS
		1			1
	15x346x745			15x148x745	




⑨	708734	PCS	⑩	708857 JIG	PCS
		1			1
	15x118x1365			20x133x149	



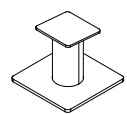

⑪	910266	PCS	⑫	900240	PCS
		2			16
	90x108x118			Ø8x70	

⑬	903093	PCS	⑭	905103	PCS
		4			2
	Ø8x90			PT-28/32-H	

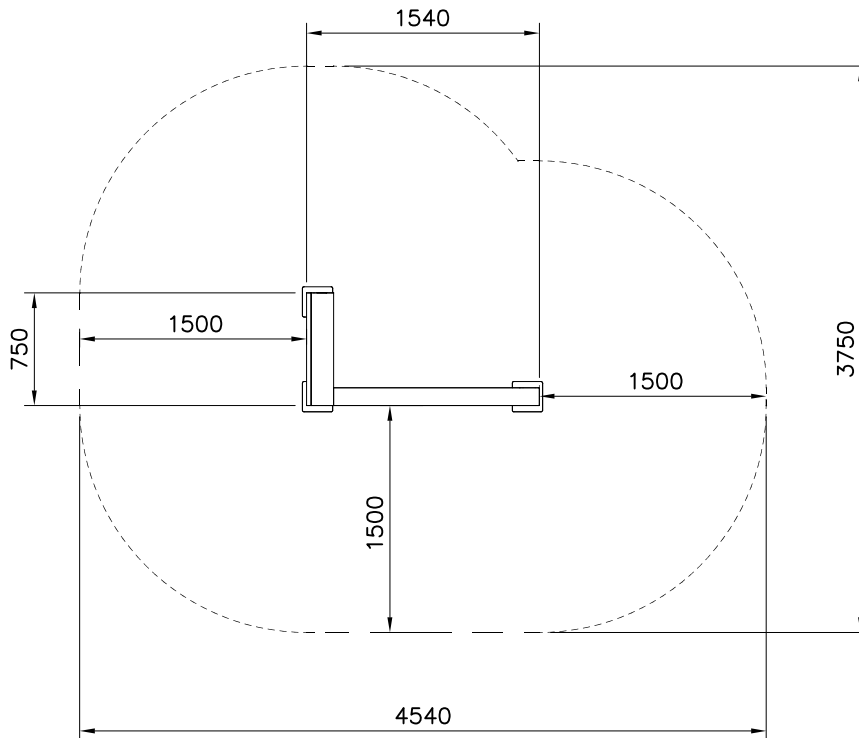
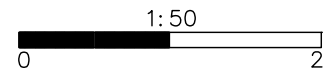
⑮	905112	PCS	⑯	908698	PCS
		4			4
	Ø22			3x114x108	

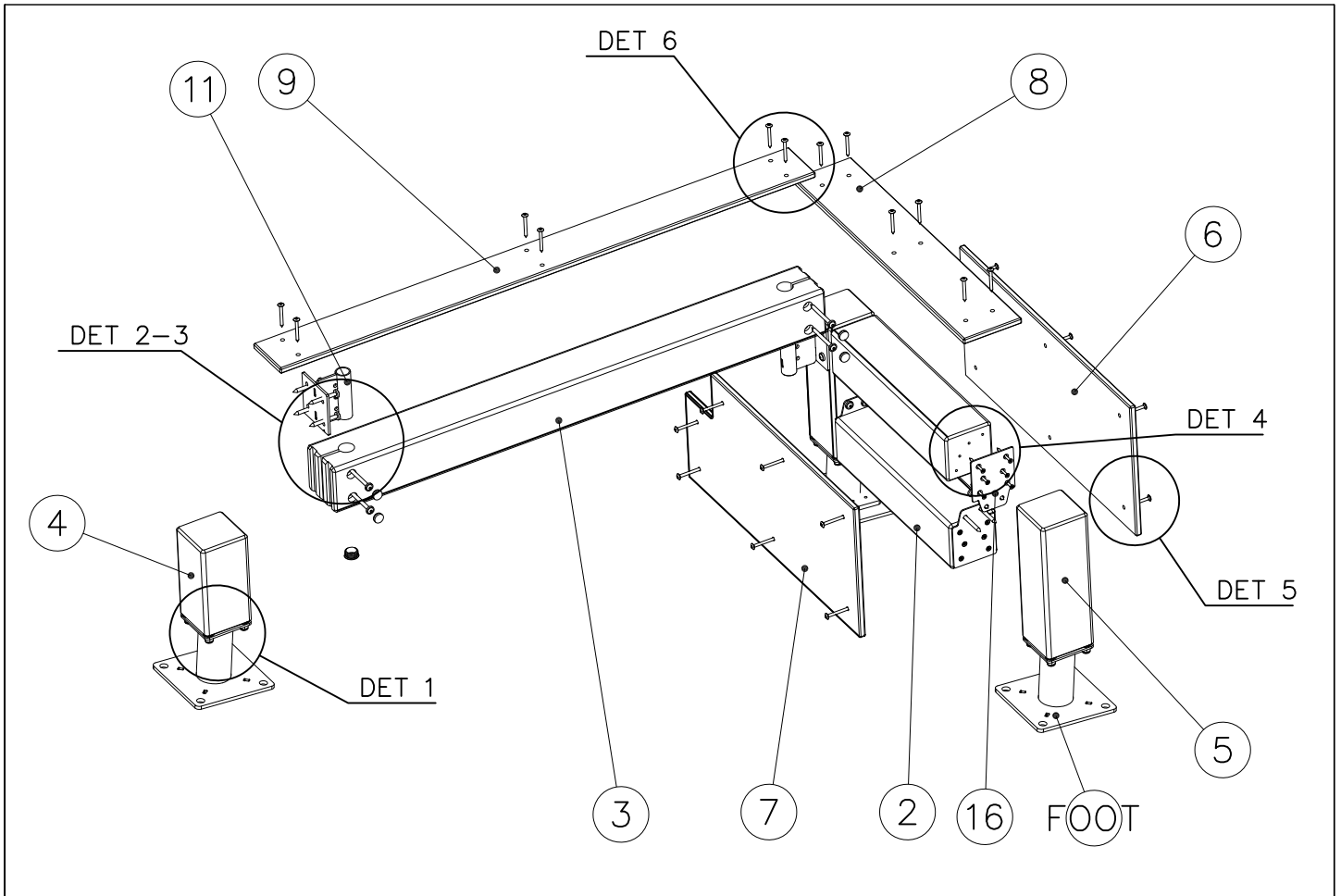
17	980100	PCS	18	980114	PCS	19	980123	PCS
		28			4			25
								
	Ø5x60			Ø4x20			Ø7x60	

FOOT OPTIONS

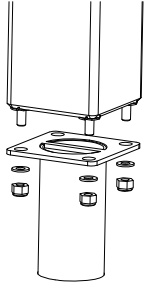
709261+		709262+	
○ 910267	PCS	○ 910567	PCS
SURFACE	3	CONCRETE	3
			
152x200x200		117x117x715	

----- Falling Space 13.8 m²
Max Falling Height 530 mm

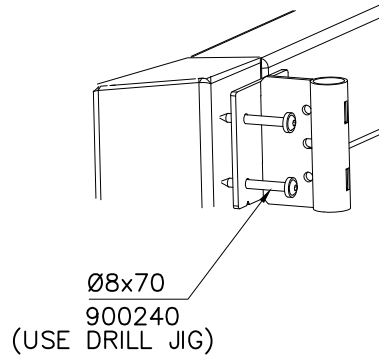




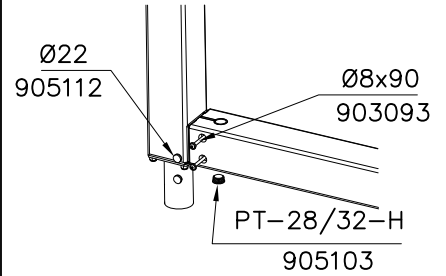
DET 1



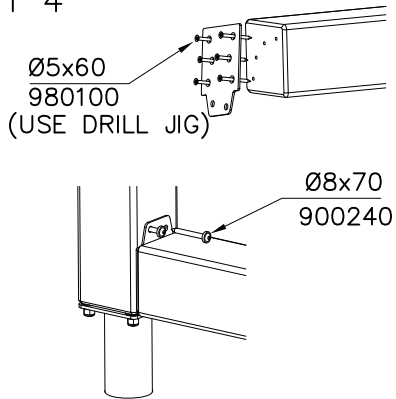
DET 2



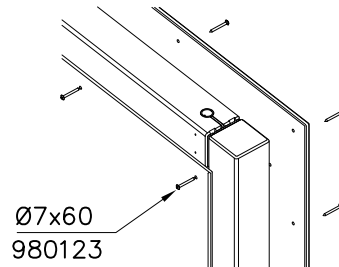
DET 3



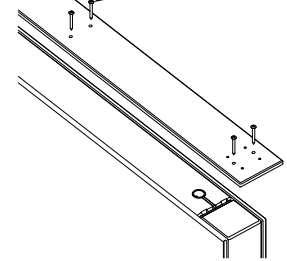
DET 4



DET 5

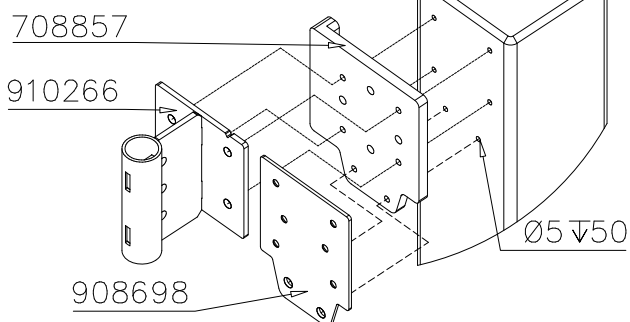


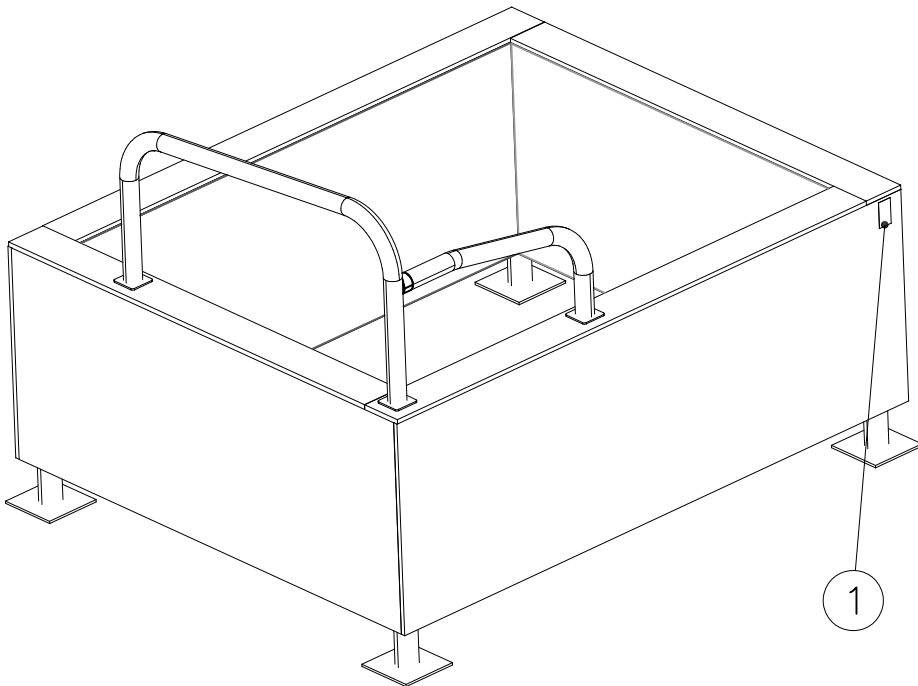
Ø7x60 980123

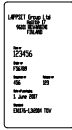

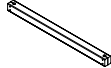

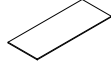
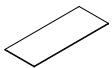



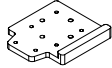





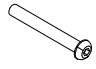


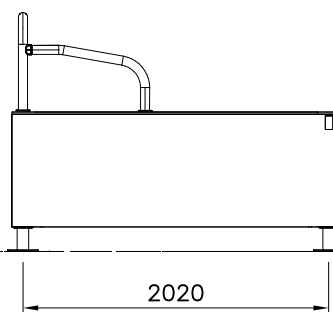
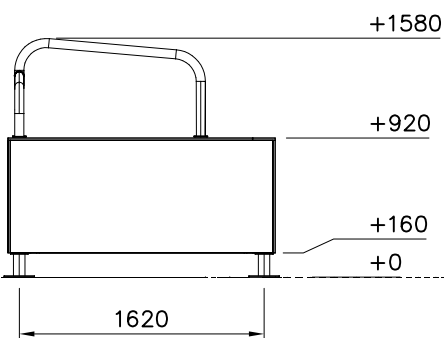
JIG DET A (USE DET 2-4)

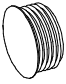

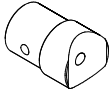



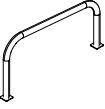
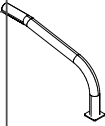
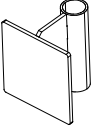


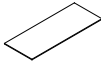
NOTE:
Use drill jig 708857
to predrill $\text{Ø}5\sqrt{50}$
holes for 910266
and 908698



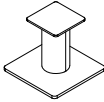
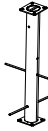


①	702341	PCS	②	707213	PCS
		1			4
	90x50			118x118x1490	
③	707517	PCS	④	708137	PCS
		4			4
	118x118x1892			118x118x745	
⑤	708836	PCS	⑥	708837	PCS
		2			2
	15x745x1736			15x745x2168	
⑦	708839	PCS	⑧	708840	PCS
		1			2
	15x745x1897			15x148x2018	
⑨	708841	PCS	⑩	708857	PCS
		2		JIG 	1
	15x148x1616			20x133x149	
⑪	980154	PCS	⑫	900240	PCS
		1			64
	Ø24/13			Ø8x70	
⑬	900965	PCS	⑭	903093	PCS
		1			44
	M10			Ø8x90	
⑮	903533	PCS	⑯	904133	PCS
		4			1
	SRL12			M10x80	

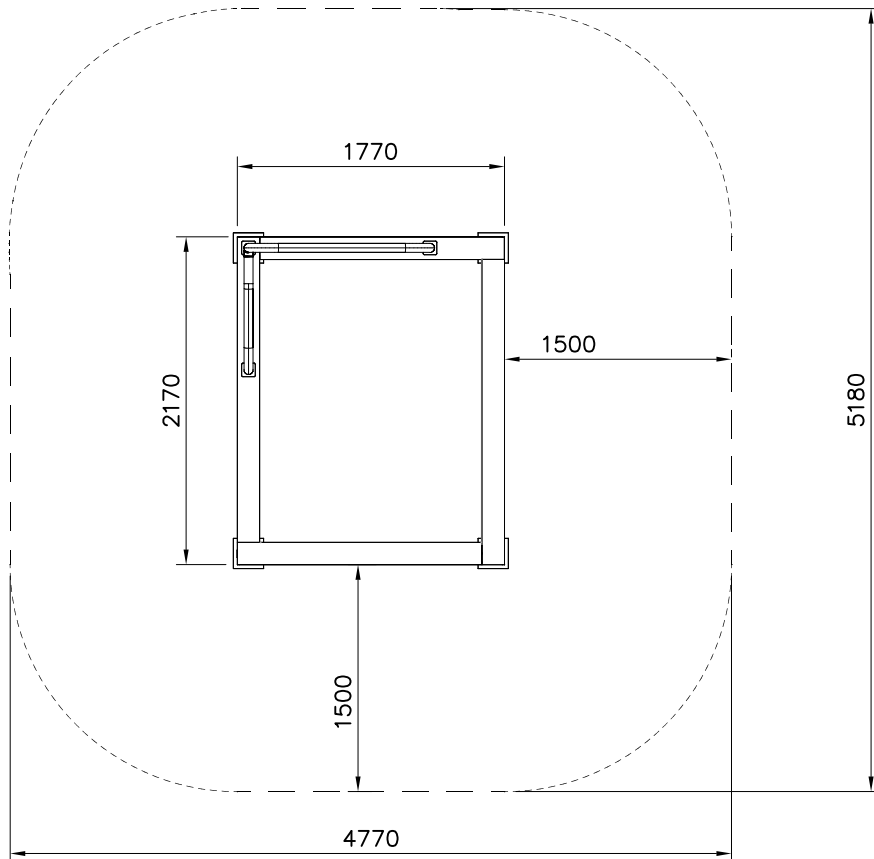
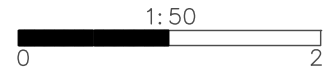


<p>⑰ 905103</p>  <p>PCS 16</p> <p>PT-28/32-H</p>	<p>⑱ 905112</p>  <p>PCS 32</p> <p>Ø22</p>	<p>⑲ 908069</p>  <p>PCS 1</p> <p>Ø60x87.6</p>	<p>⑳ 909111</p>  <p>PCS 1</p> <p>M12x100</p>	<p>㉑ 909248</p>  <p>PCS 1</p> <p>M12</p>	<p>㉒ 909638</p>  <p>PCS 4</p> <p>Ø20/10.5</p>
<p>㉓ 910254</p>  <p>PCS 1</p> <p>Ø60x650x1290</p>	<p>㉔ 910262</p>  <p>PCS 1</p> <p>Ø60x435x795</p>	<p>㉕ 910266</p>  <p>PCS 16</p> <p>90x108x118</p>	<p>㉖ 980123</p>  <p>PCS 108</p> <p>Ø7x60</p>	<p>㉗ 911288 COLOR</p>  <p>PCS 2</p> <p>15x745x1465</p>	<p>㉘ 911289 COLOR</p>  <p>PCS 1</p> <p>15x745x1897</p>

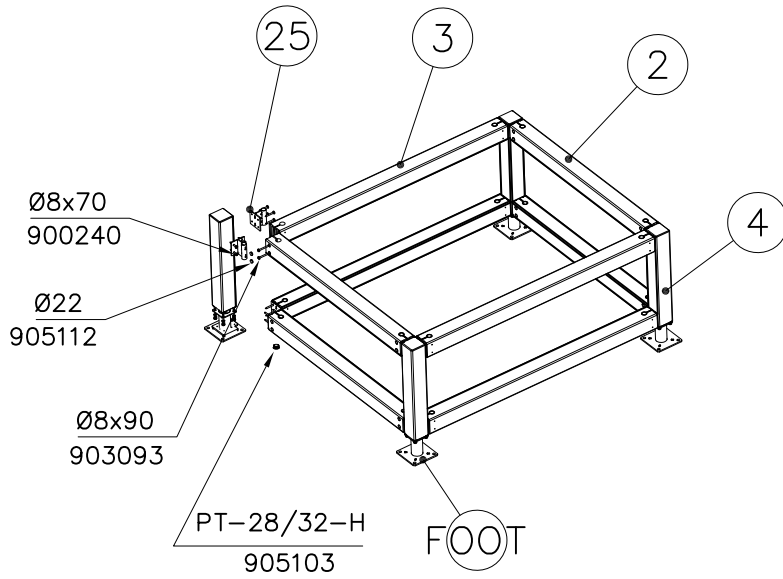
FOOT OPTIONS

<p>709261+</p> <p>○ 910330 SURFACE</p>  <p>PCS 4</p> <p>152x200x200</p>	<p>709262+</p> <p>○ 910567 CONCRETE</p>  <p>PCS 4</p> <p>117x117x715</p>
---	--

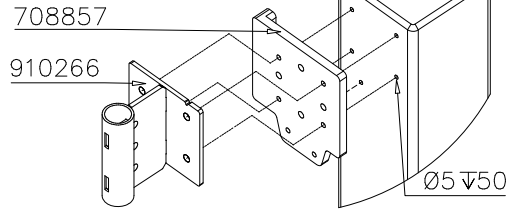
----- Falling Space 22.7 m²
Max Falling Height 1580 mm



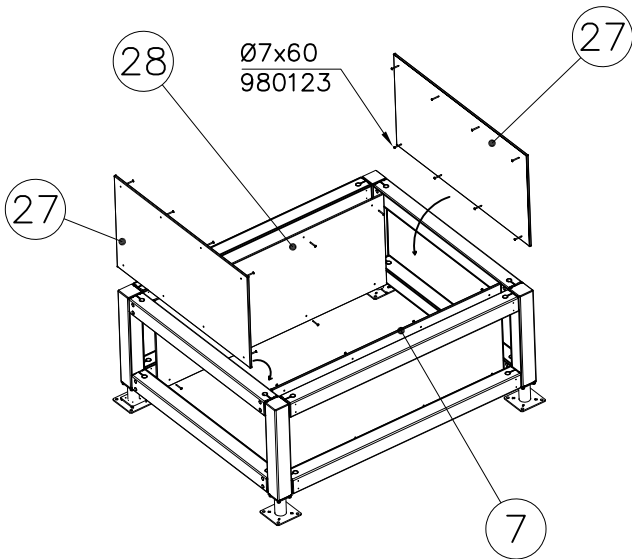
DET 1



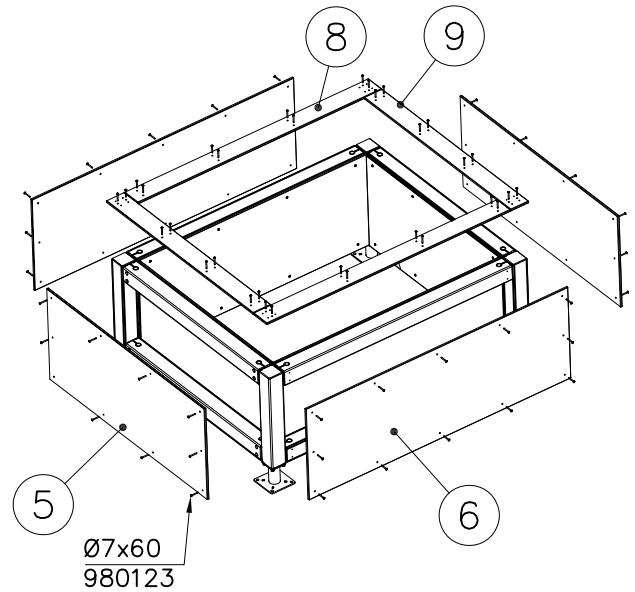
NOTE:
Use drill jig 708857
to predrill Ø5∇50
holes for 910266



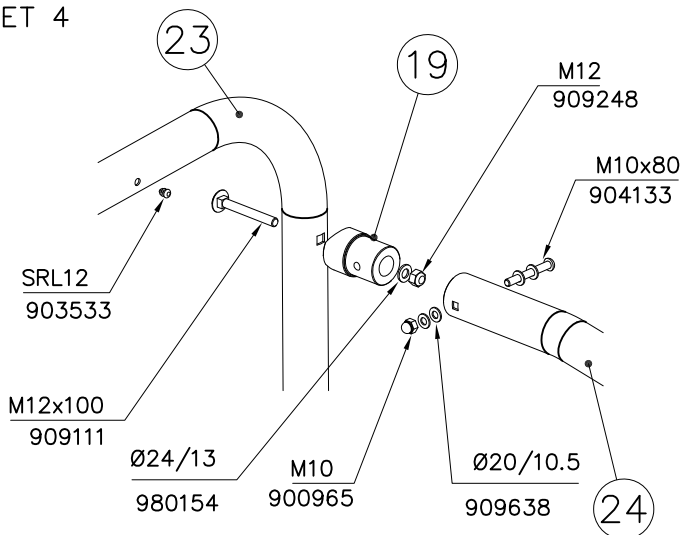
DET 2



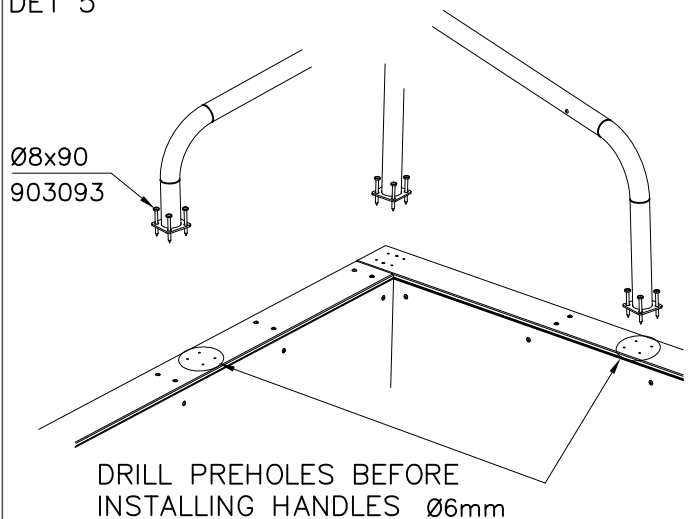
DET 3

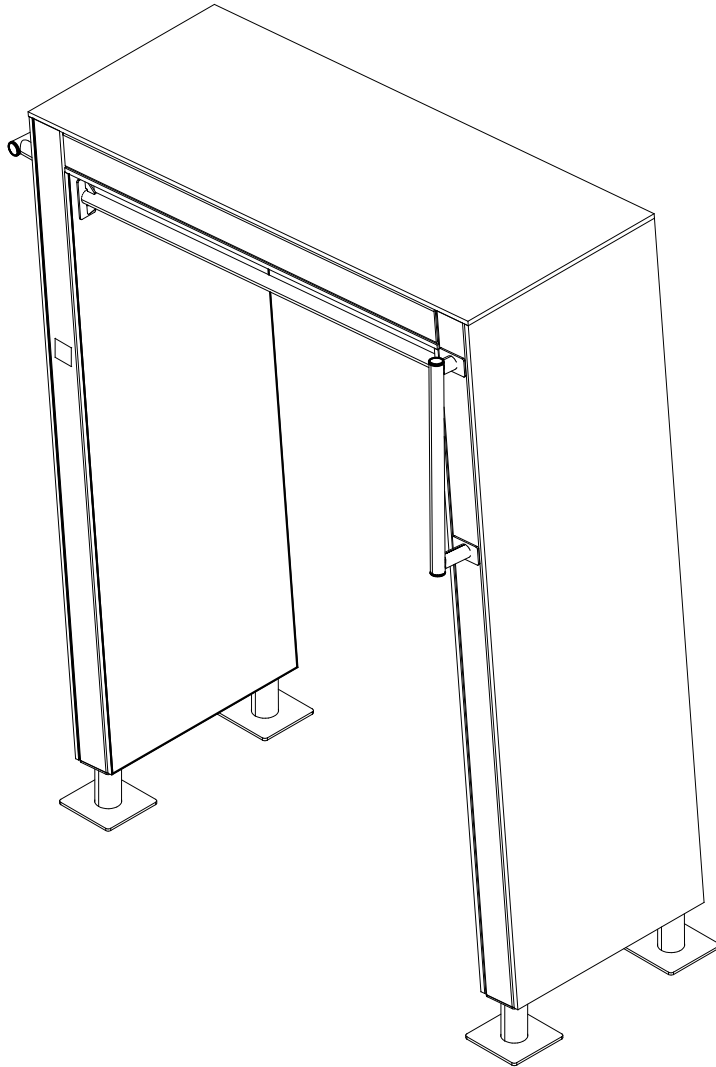


DET 4

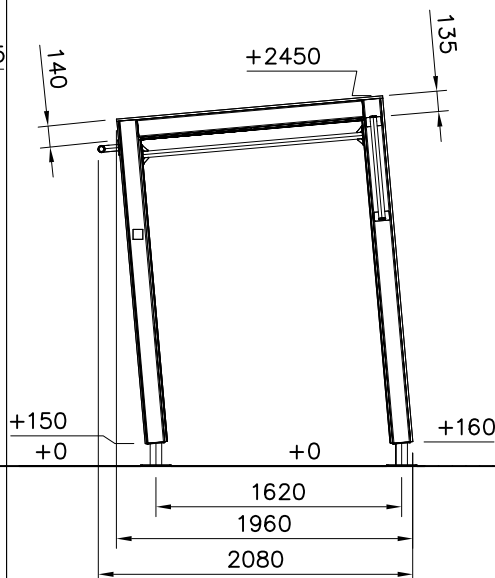
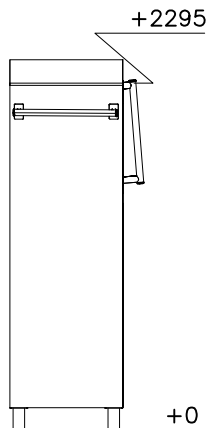
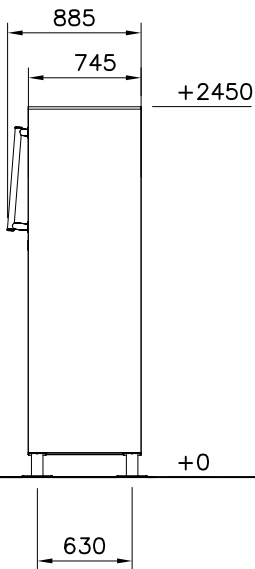


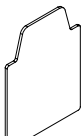
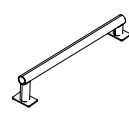
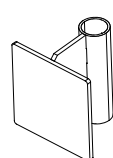






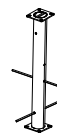
DET 5



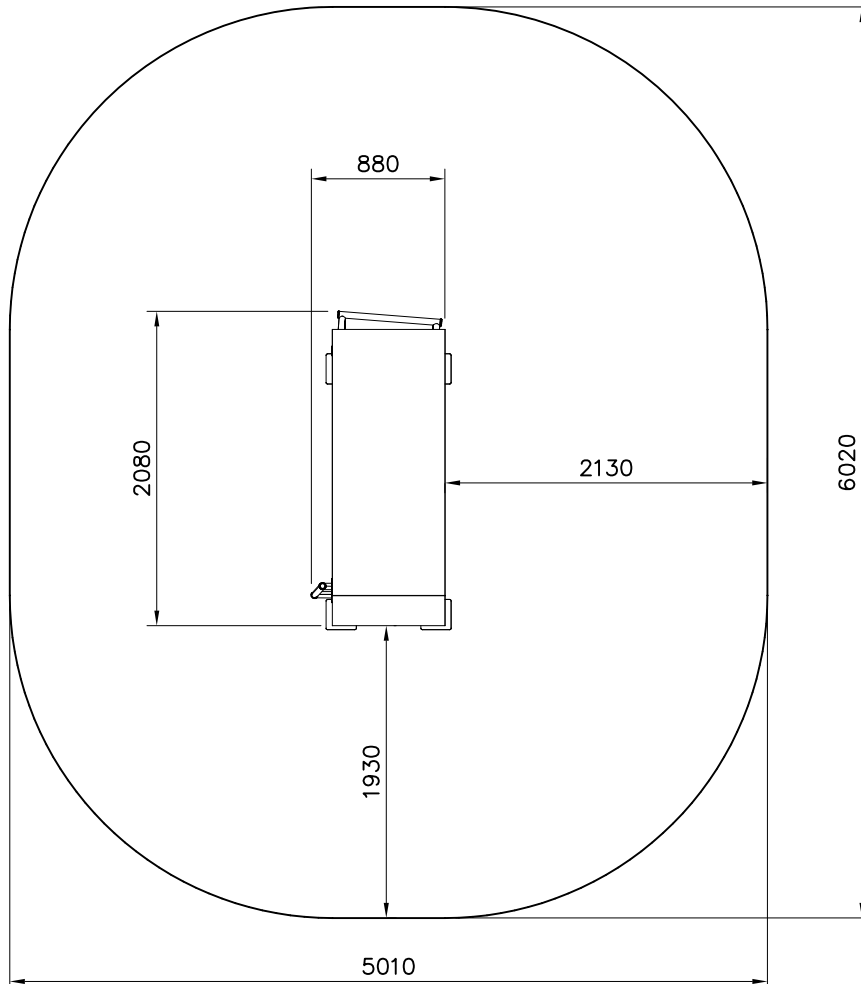
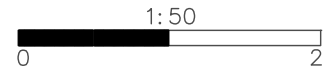


① 707210 118x118x503	PCS 4	② 707213 118x118x1490	PCS 2
③ 708522 118x118x2139	PCS 2	④ 708688 118x118x2279	PCS 2
⑤ 708721 15x745x1766	PCS 1	⑥ 708722 15x745x2280	PCS 1
⑦ 708857 JIG 20x133x149	PCS 1	⑧ 911297 MURAL 12x745x2140	PCS 1
⑨ 911293 COLOR 15x745x2145	PCS 1	⑩ 911295 COLOR 15x745x2004	PCS 1
⑪ 911301 COLOR 15x745x1495	PCS 1	⑫ 900240 Ø8x70	PCS 56
⑬ 903093 Ø8x90	PCS 8	⑭ 905103 PT-28/32-H	PCS 8
⑮ 905112 Ø22	PCS 8	⑯ 908371 42-38/40	PCS 4



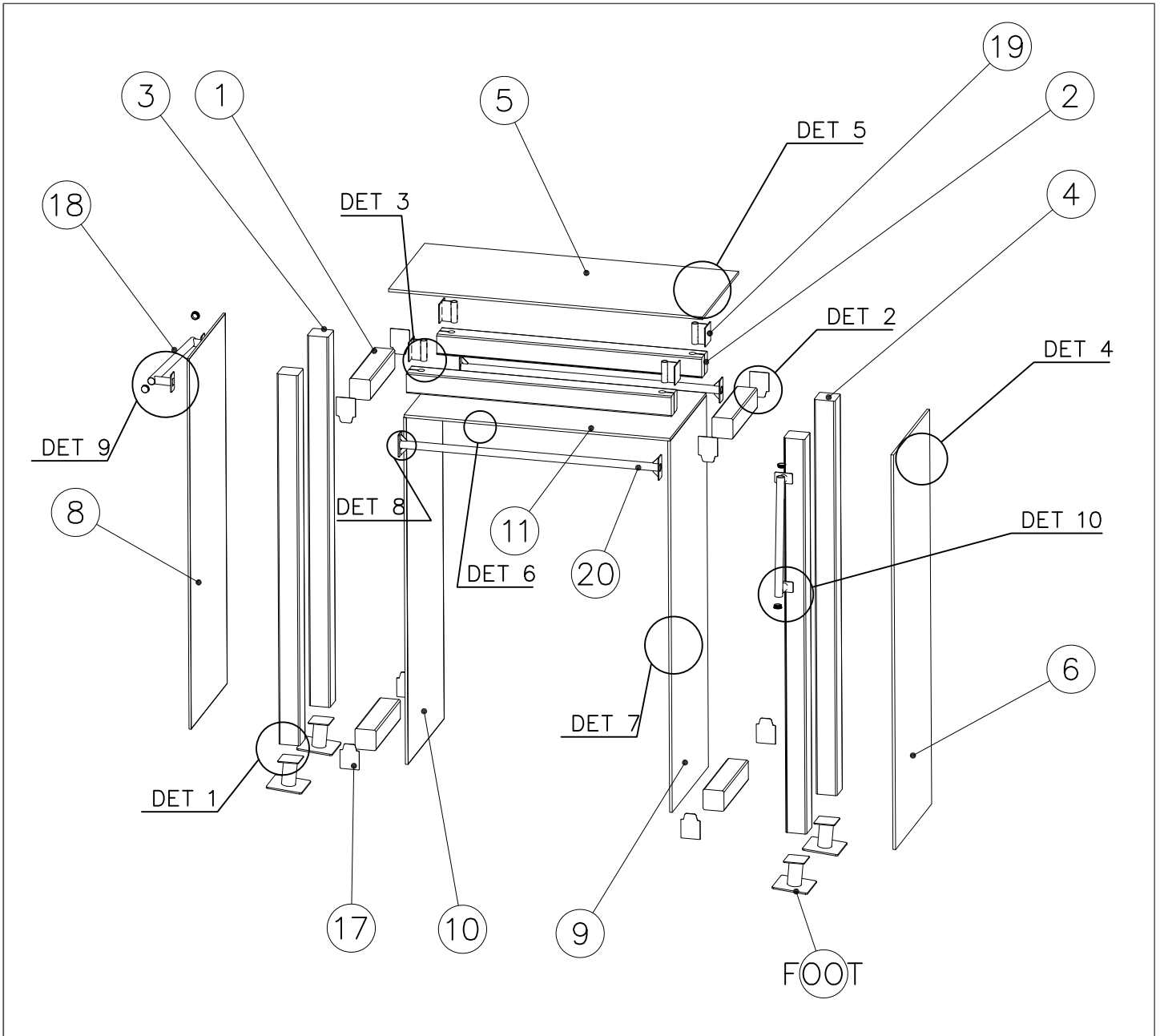
17	908698	PCS	18	910056	PCS	19	910266	PCS	20	910328	PCS	21	980100	PCS	22	980123	PCS		PCS
	8			2			4			2		48		56					
3x114x108			140x690			90x108x118			L 1466		Ø5x60		Ø7x60						
23	702286	PCS	24	980114	PCS	FOOT OPTIONS													
	1			4		709261+		709262+											
65x65			Ø4x20			910267		910567		PCS		PCS		PCS		PCS		PCS	
						SURFACE		CONCRETE		4		4		4		4		4	
																			
						152x200x200		117x117x715											

—— EN Impact Attenuating Surface (IAS) 26.3 m2
 - - - - Falling Space 26.3 m2
 Max Falling Height 2450 mm



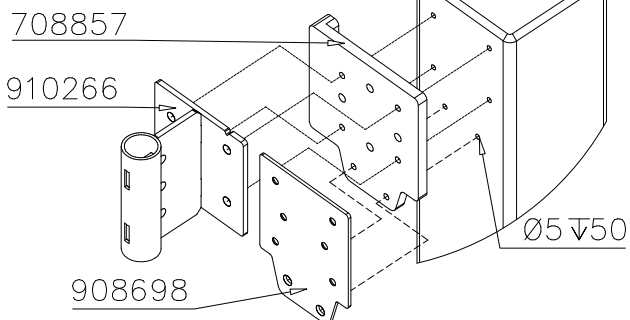
<p>DET 1</p>	<p>DET 2</p>	<p>DET 3</p>
<p>DET 4</p>	<p>DET 5</p>	<p>DET 6</p>
<p>DET 7</p>	<p>DET 8</p>	<p>DET 9</p>

<p>DET 10 DRILL PREHOLES BEFORE INSTALLING HANDLES</p>
--

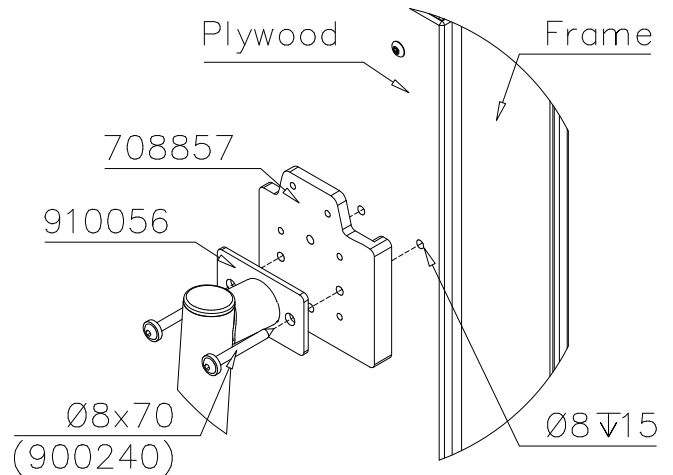


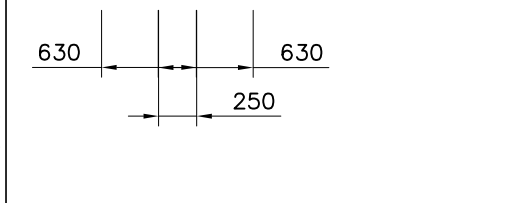
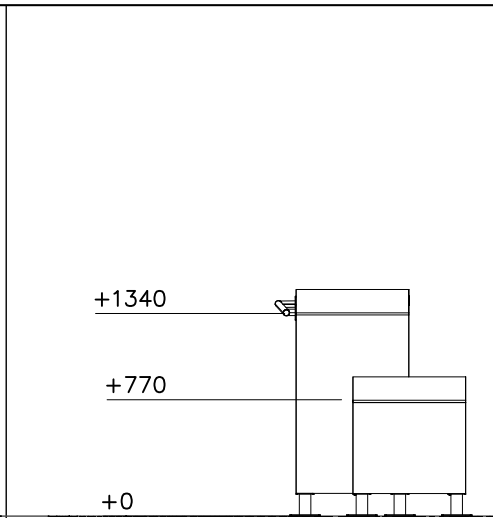
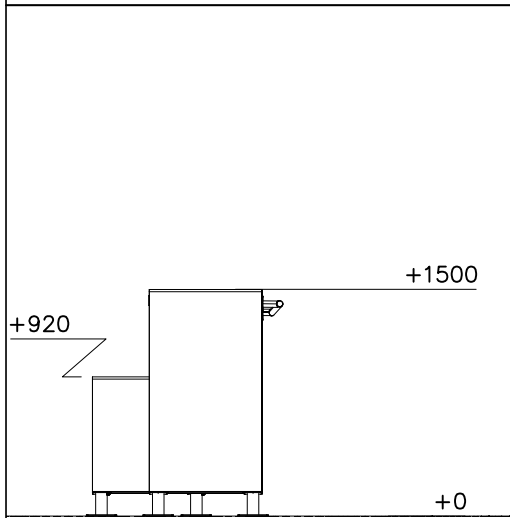
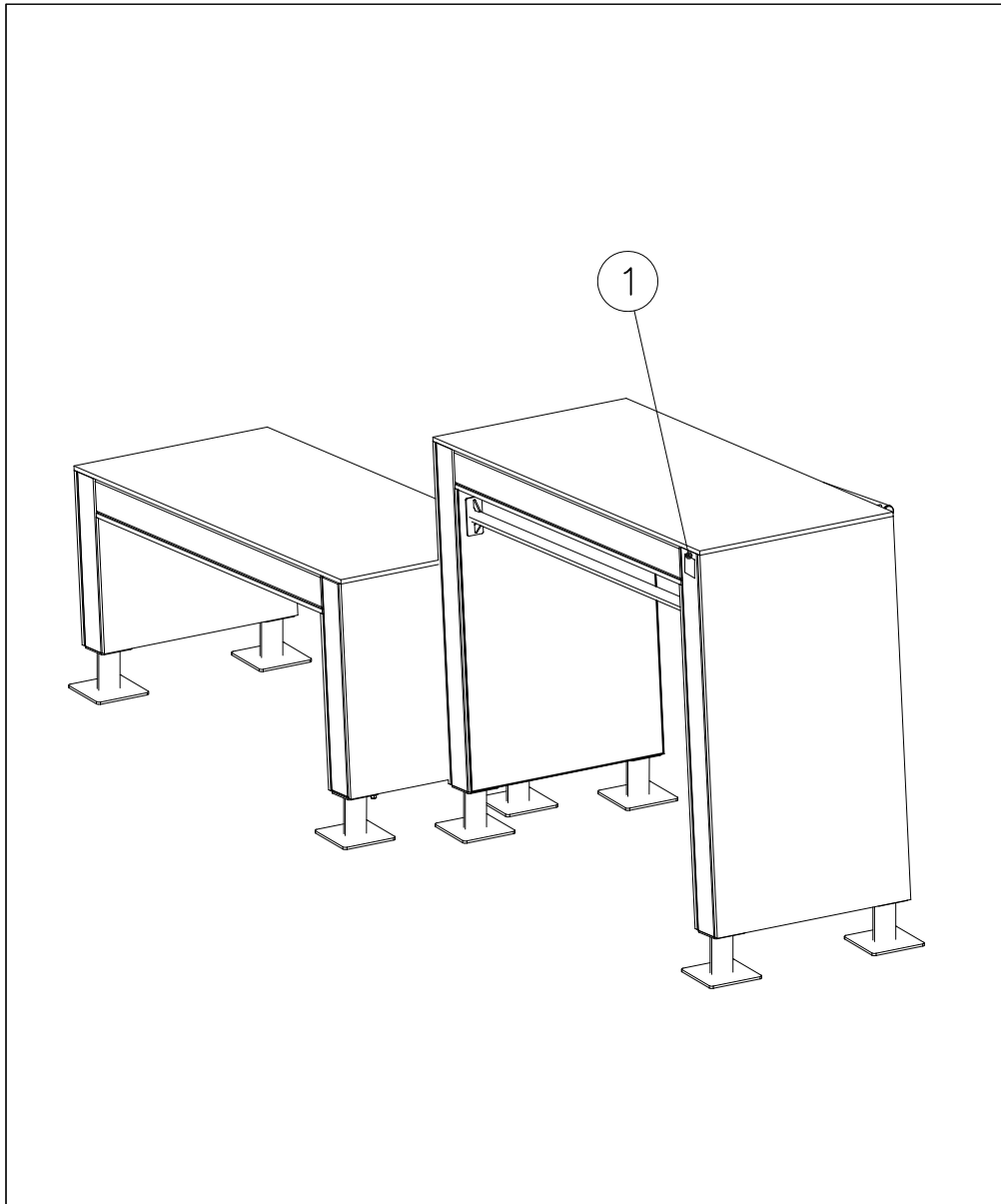
JIG DET A (USE DET 2-3)


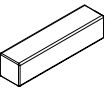

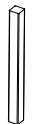



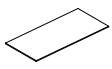
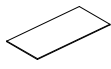
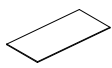
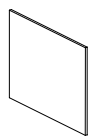
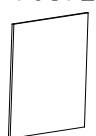
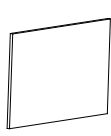
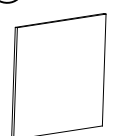
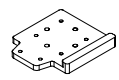

NOTE:
Use drill jig 708857
to predrill $\text{Ø}5 \nabla 50$
holes for 910266
and 908698



JIG DET B (USE DET 9, 10)





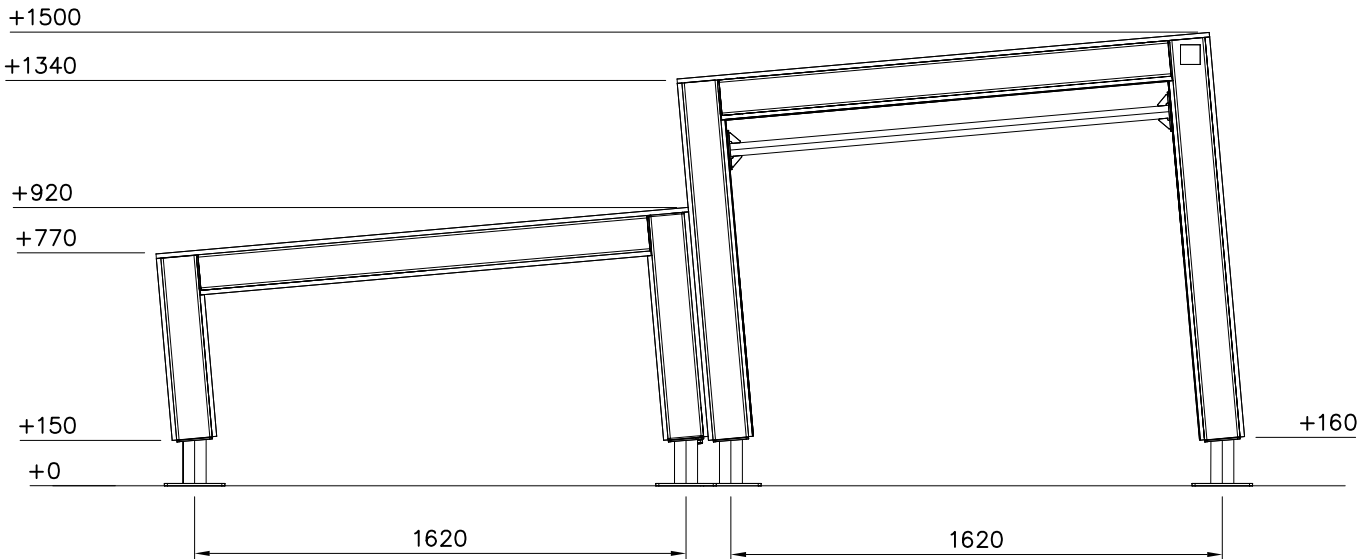
① 702286  65x65	PCS 1	② 707210  118x118x503	PCS 8
③ 707213  118x118x1490	PCS 4	④ 708042  118x118x1185	PCS 2
⑤ 708125  118x118x1326	PCS 2	⑥ 708127  118x118x603	PCS 2
⑦ 708137  118x118x745	PCS 2	⑧ 708721  15x745x1766	PCS 2
⑨ 708723  15x745x1185	PCS 1	⑩ 708724  15x745x1326	PCS 1
⑪ 708725  15x603x745	PCS 1	⑫ 708726  15x745x745	PCS 1
⑬ 708834  15x745x470	PCS 1	⑭ 708835  15x745x612	PCS 1
⑮ 708857 JIG  20x133x149	PCS 1	⑯ 709204  15x745x1495	PCS 1

17	911303 COLOR	PCS 1	18	911305 COLOR	PCS 1	19	911307 COLOR	PCS 1	20	900240	PCS 76	21	903093	PCS 20	22	903533	PCS 6																
15x745x1495			15x745x1192			15x745x1050			Ø8x70			Ø8x90			SRL12																		
23	980114	PCS 4	24	905103	PCS 16	25	905112	PCS 16	26	908371	PCS 2	27	908698	PCS 16	28	980100	PCS 96																
Ø4x20			PT-28/32-H			Ø22			42-38/40			3x114x108			Ø5x60																		
29	910328	PCS 1	30	910056	PCS 1	31	910266	PCS 8	32	980123	PCS 88	<p>FOOT OPTIONS</p> <p>709261+ 709262+</p> <table border="1"> <tr> <td>910267</td> <td>PCS</td> <td>910567</td> <td>PCS</td> </tr> <tr> <td>SURFACE</td> <td>8</td> <td>CONCRETE</td> <td>8</td> </tr> <tr> <td></td> <td></td> <td></td> <td></td> </tr> <tr> <td>152x200x200</td> <td></td> <td>117x117x715</td> <td></td> </tr> </table>						910267	PCS	910567	PCS	SURFACE	8	CONCRETE	8					152x200x200		117x117x715	
910267	PCS	910567	PCS																														
SURFACE	8	CONCRETE	8																														
152x200x200		117x117x715																															
L 1466			140x690			90x108x118			Ø7x60																								

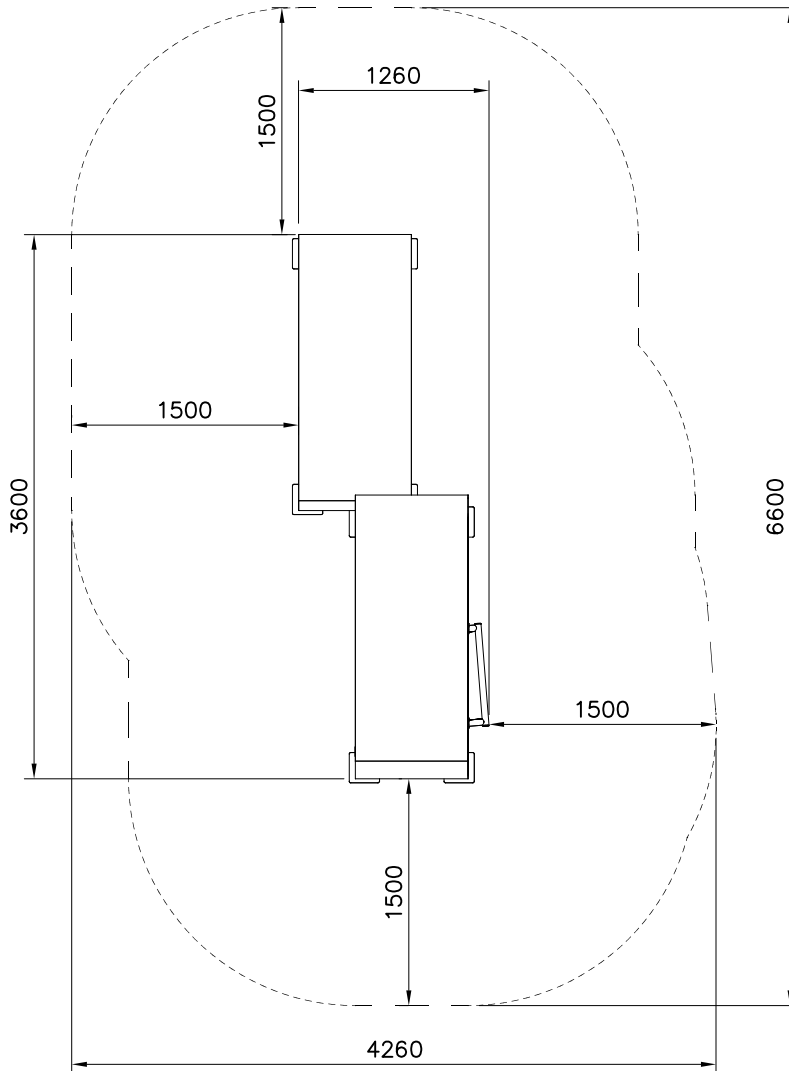
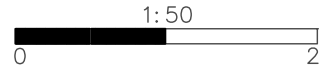
FOOT OPTIONS

709261+ 709262+

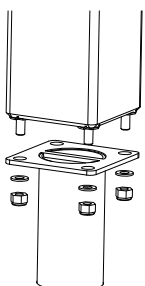
910267	PCS	910567	PCS
SURFACE	8	CONCRETE	8
152x200x200		117x117x715	



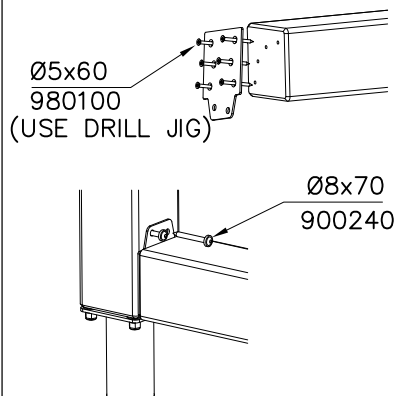
----- Falling Space 23.5 m²
Max Falling Height 1500 mm



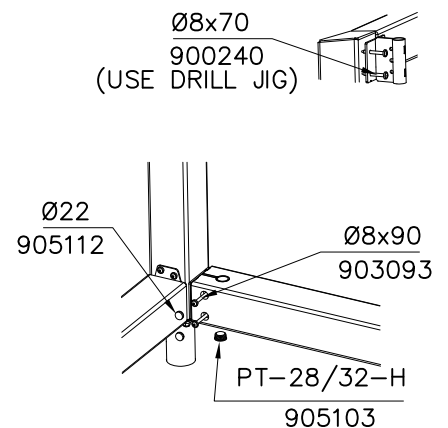
DET 1



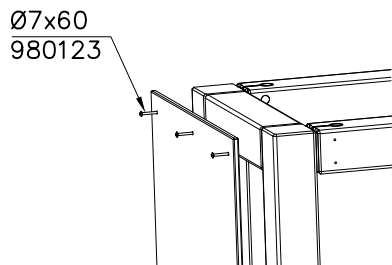
DET 2



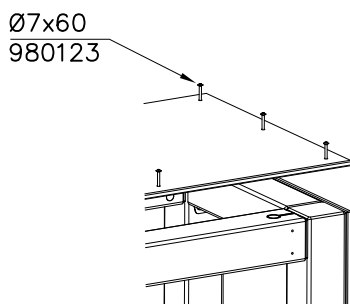
DET 3



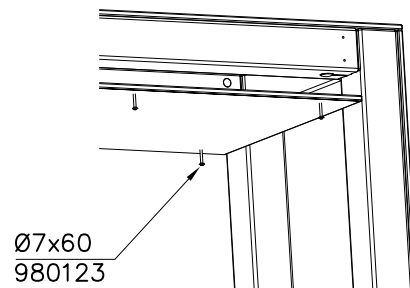
DET 4



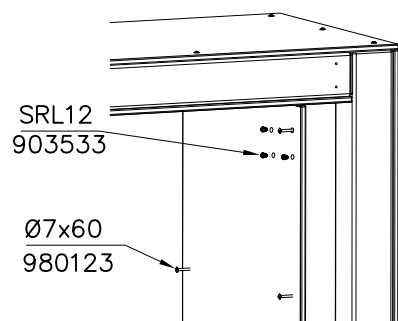
DET 5



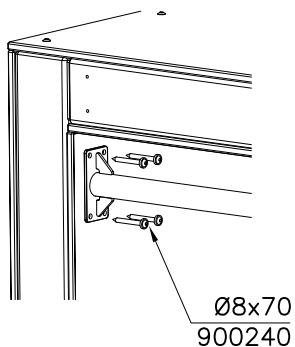
DET 6



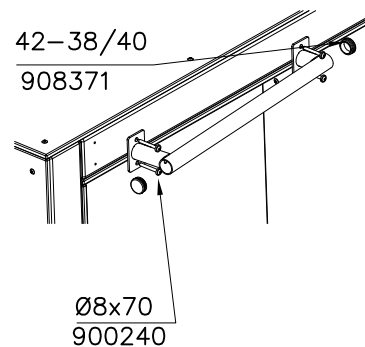
DET 7



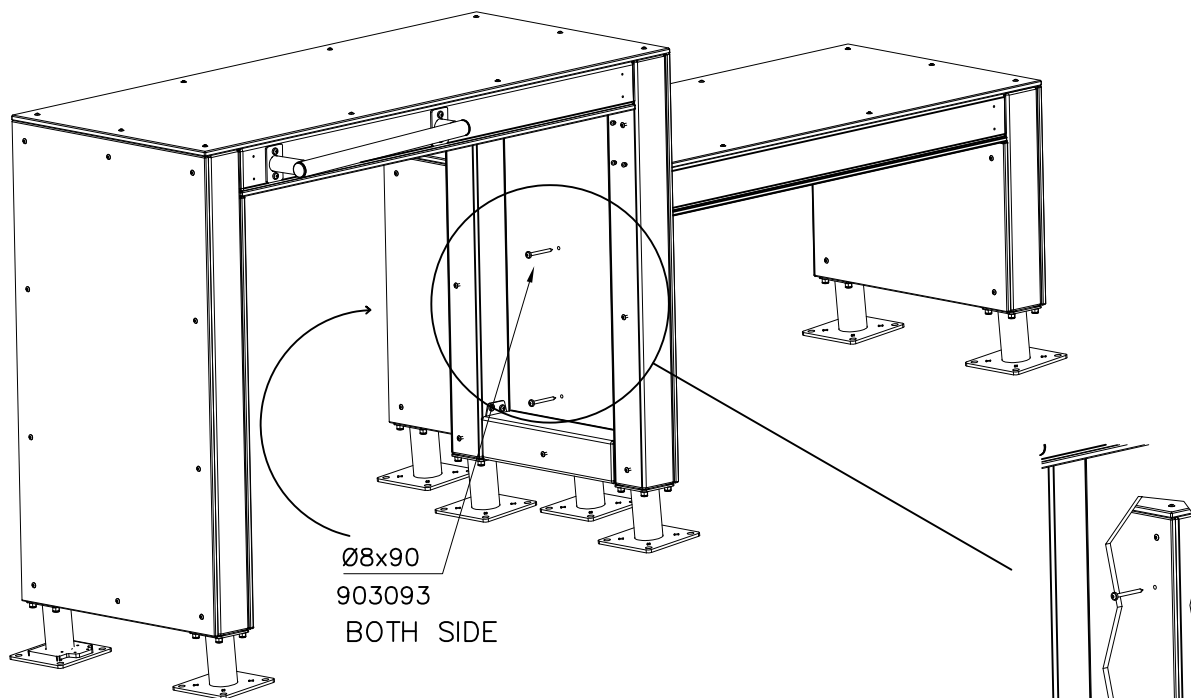
DET 8

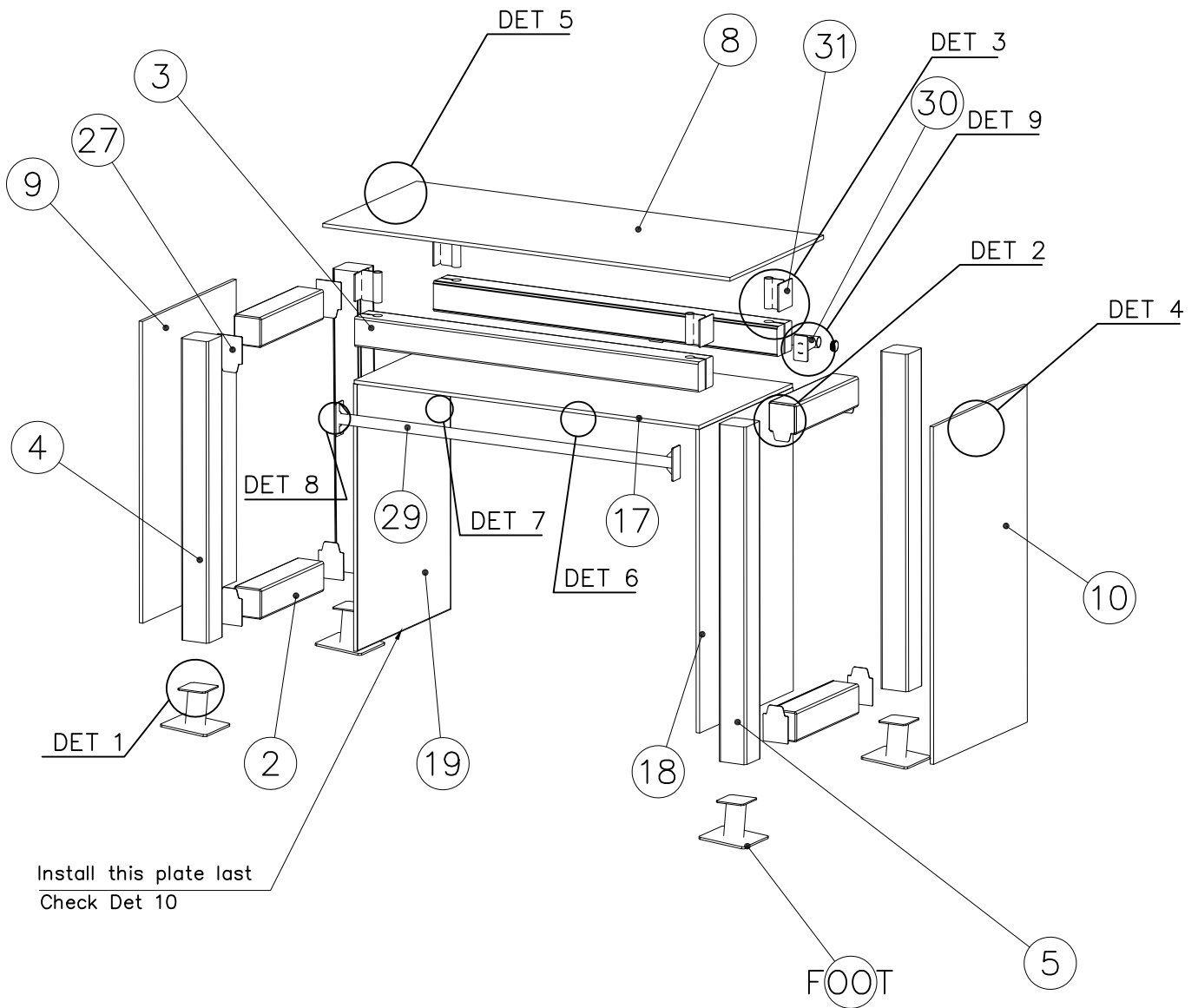


DET 9 DRILL PREHOLES
Ø6mm BEFORE
INSTALLING HANDLES



DET 10





JIG DET A (USE DET 2-3)

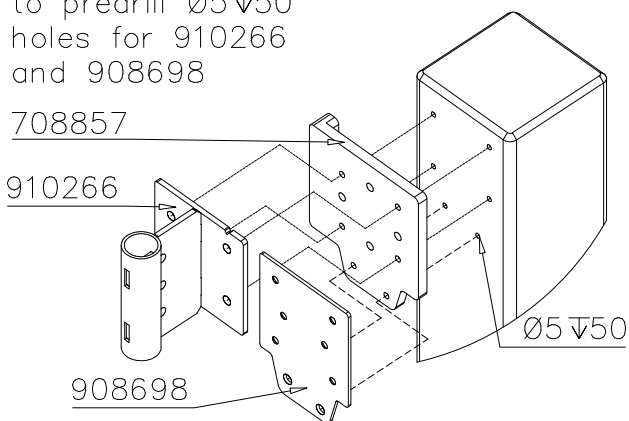
NOTE:

Use drill jig 708857 to predrill $\text{Ø}5 \nabla 50$ holes for 910266 and 908698

708857

910266

908698



JIG DET B (USE DET 9)

Plywood

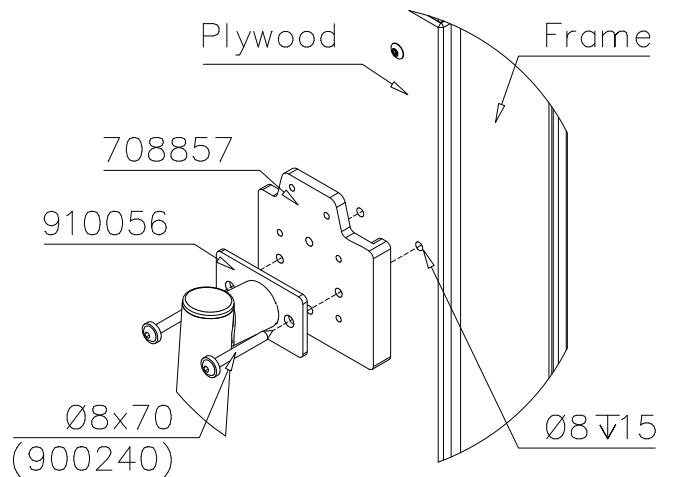
Frame

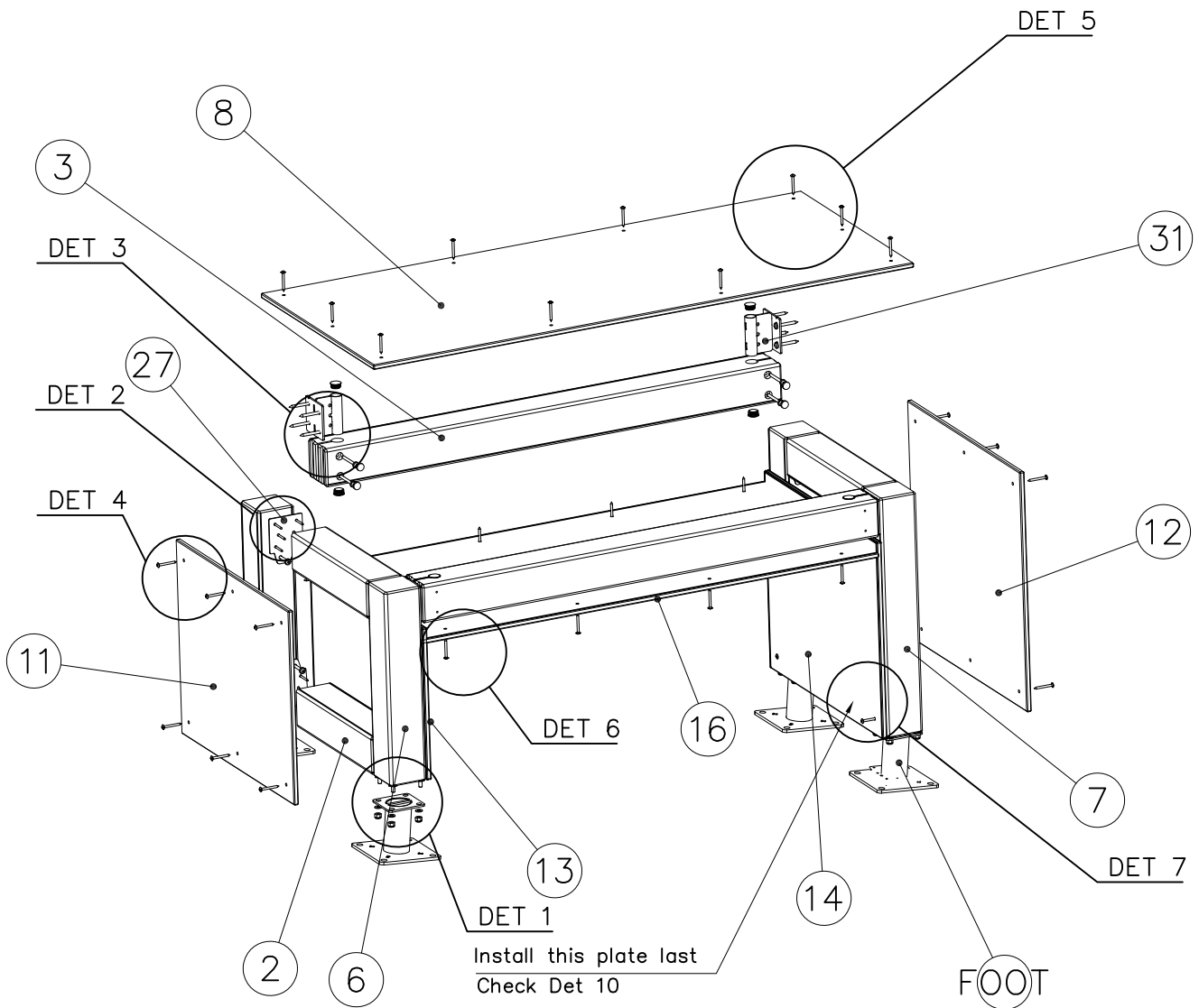
708857

910056

$\text{Ø}8 \times 70$
(900240)

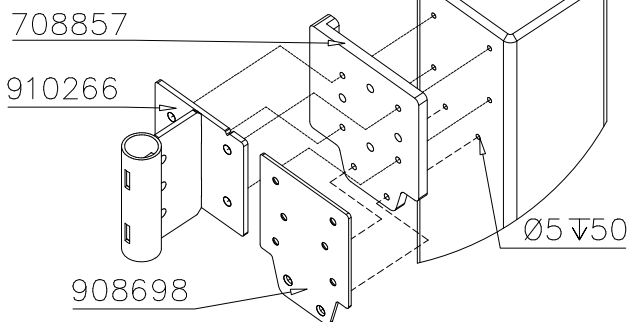
$\text{Ø}8 \nabla 15$

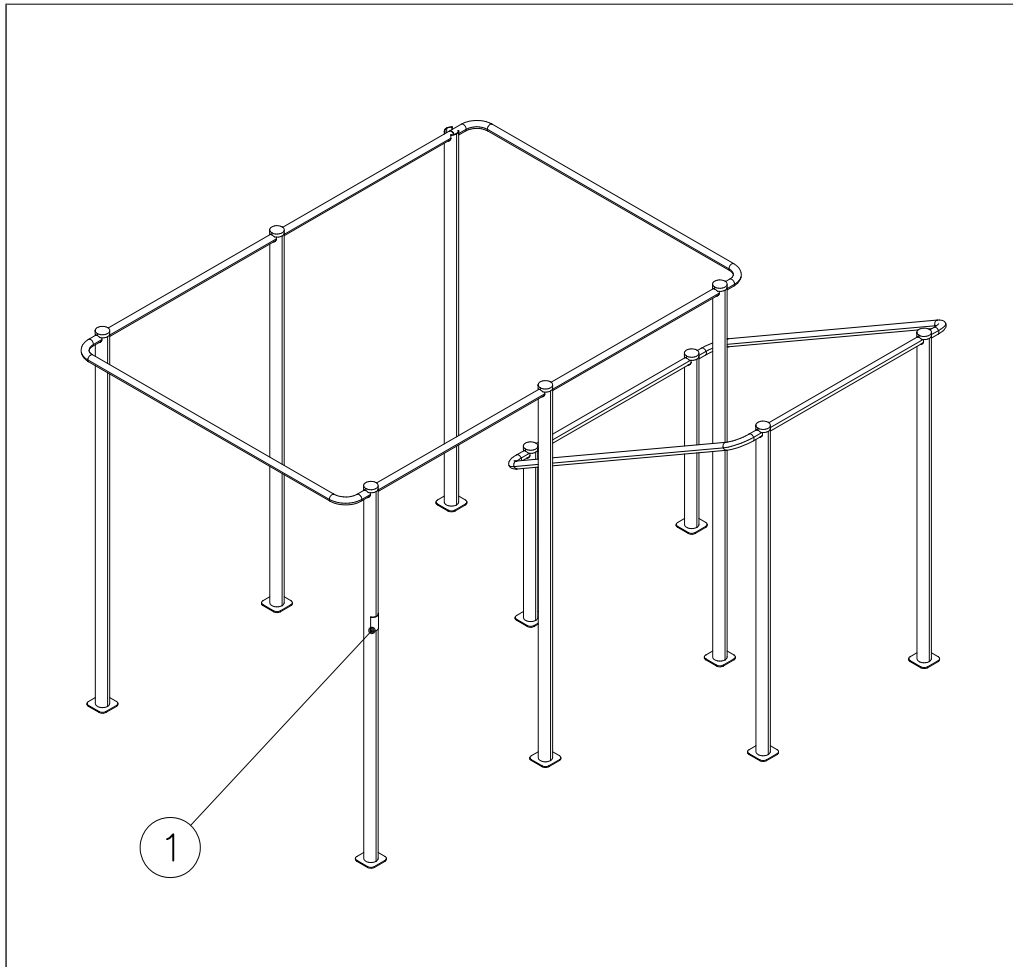




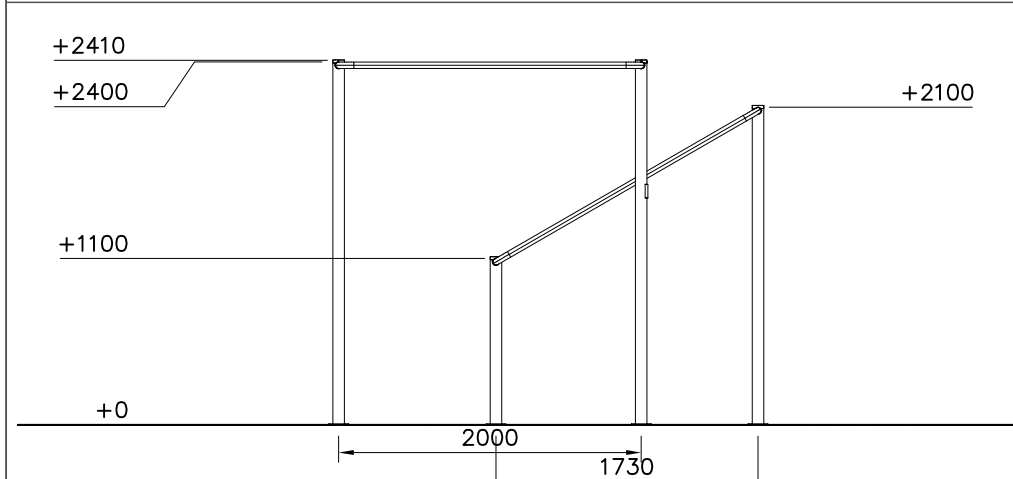
JIG DET A (USE DET 2-3)

NOTE:
Use drill jig 708857
to predrill $\text{Ø}5 \nabla 50$
holes for 910266
and 908698

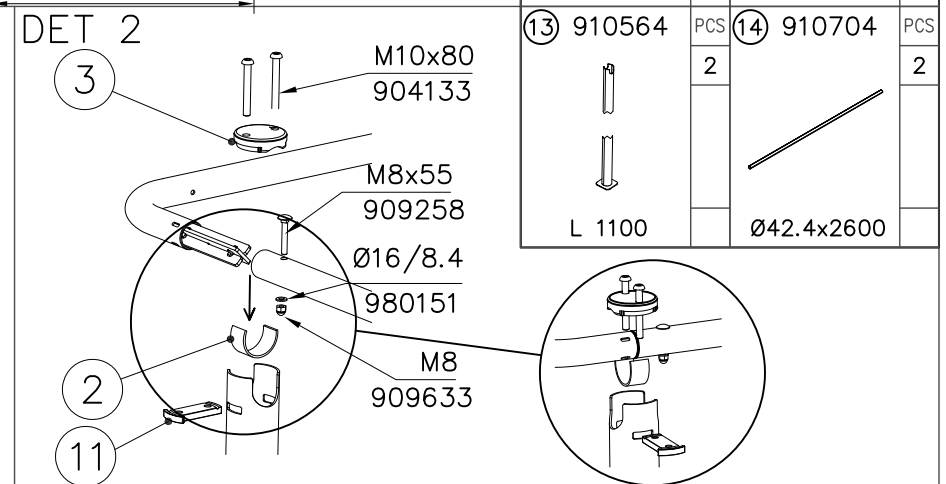
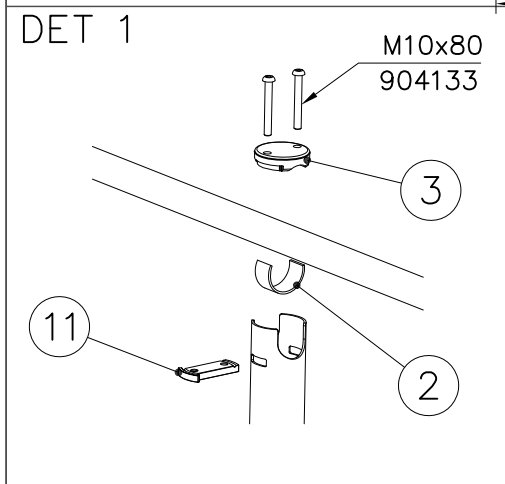


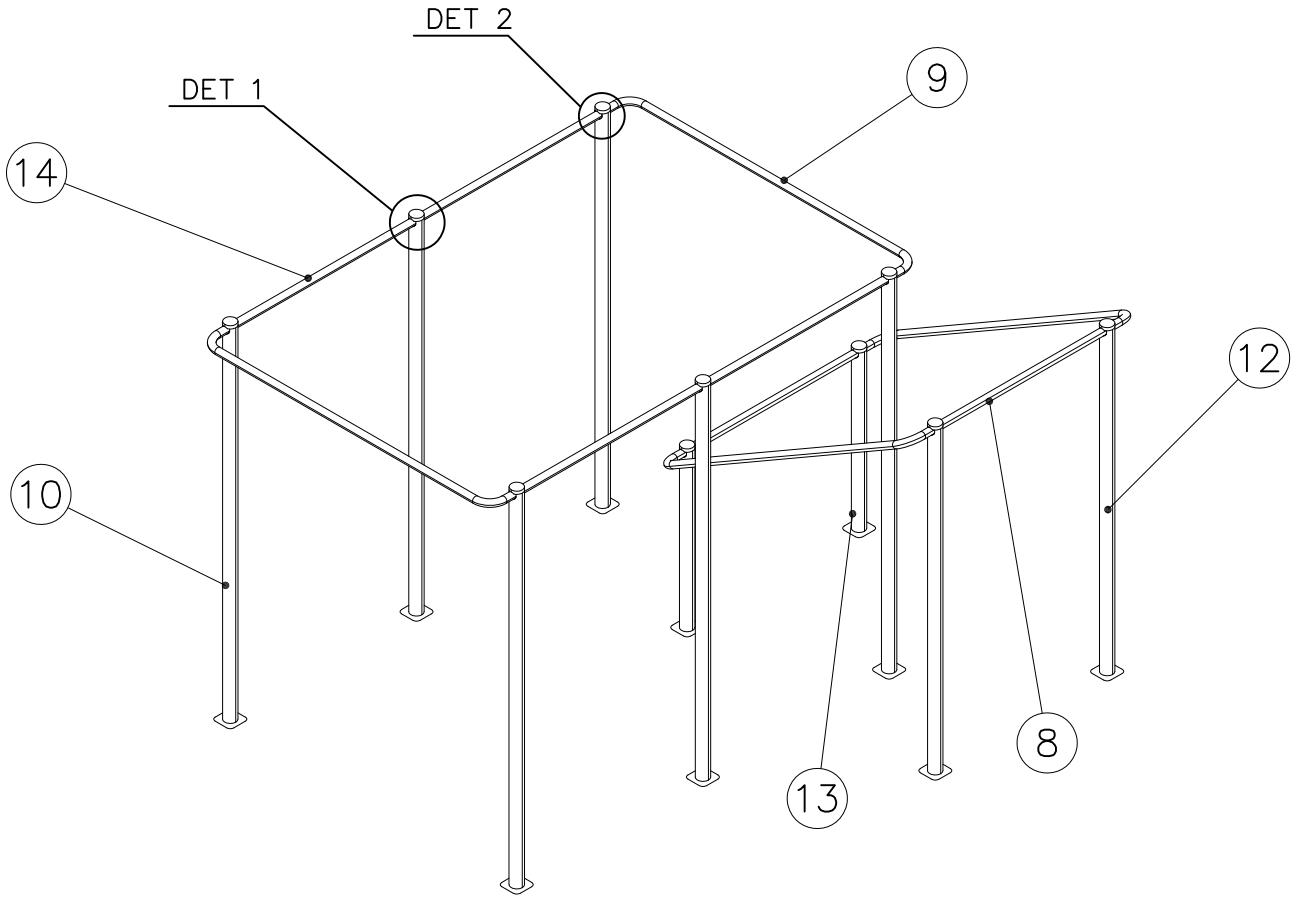


① 702341 90x50	PCS 1	② 704879 3x30x120mm	PCS 10
③ 708880 Ø77x20	PCS 10	④ 980151 Ø16/8.4	PCS 8
⑤ 904133 M10x80	PCS 20	⑥ 909258 M8x55	PCS 8
⑦ 909633 M8	PCS 8	⑧ 910547 Ø42.4x1200	PCS 2



⑨ 910549 Ø42.4x286x2042	PCS 4	⑩ 910556 L 2400	PCS 6
⑪ 910557 10x45x87	PCS 10	⑫ 910563 L 2100	PCS 2

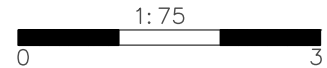




—— EN Impact Attenuating Surface (IAS) 45.7 m²

----- Falling Space 45.7 m²

Max Falling Height 2410 mm

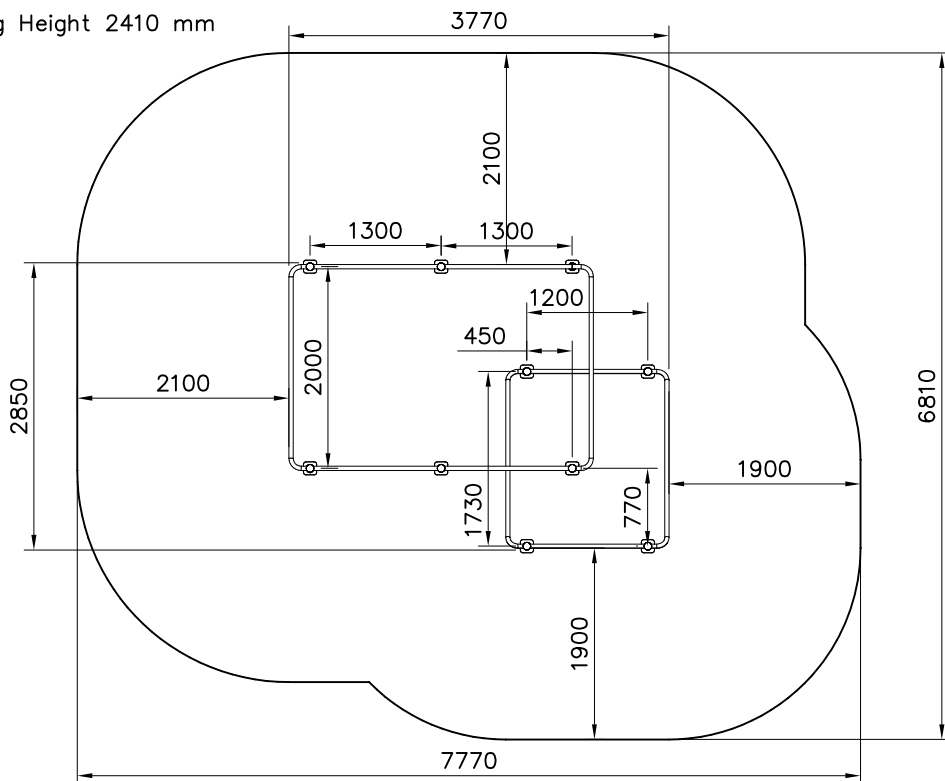


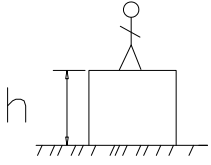
INSTALLING FOR SURFACE MOUNTING

	709396	PCS
		10

FOOT OPTION FOR DEEP MOUNTING

	709397+	PCS
	910562	10
	L 600	





$h < 1600$

Totally hard surfaces or materials with very limited impact attenuating properties.

Case by case risk assessment is needed including e.g. evaluation whether there is forced movement, what is the intended exercise and where will the product be installed.

Materials with significant impact attenuating properties.

Totally hard surfaces.
E.g. concrete or asphalt



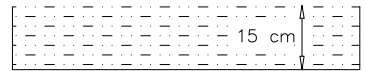
Materials with very limited impact attenuating properties.
E.g. wood



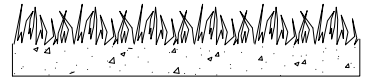
fine gravel 0–8 mm



Unsorted sand/ topsoil



Lawn

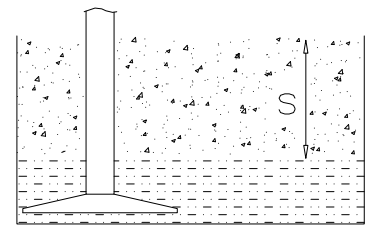


$h = 1600-$

$h < 3000$

Loose fill material

E.g.
sand/gravel 0,25...8 mm $D_{60}/D_{10} < 3,0$
Woodchips 5...30 mm
bark 20...80 mm



\underline{S}
30 cm \underline{h}
 < 3,0 m

Synthetic granulates

\underline{S}	\underline{h}
40 mm	~> 1,6...~< 1,8 m
50 mm	~> 1,8...~< 2,25 m
55 mm	~> 2,25...~< 2,4 m
60 mm	~> 2,4...~< 2,55 m
70 mm	~> 2,55...~< 3,0 m

Note. For accurate values, see manufacturer's instructions.

