

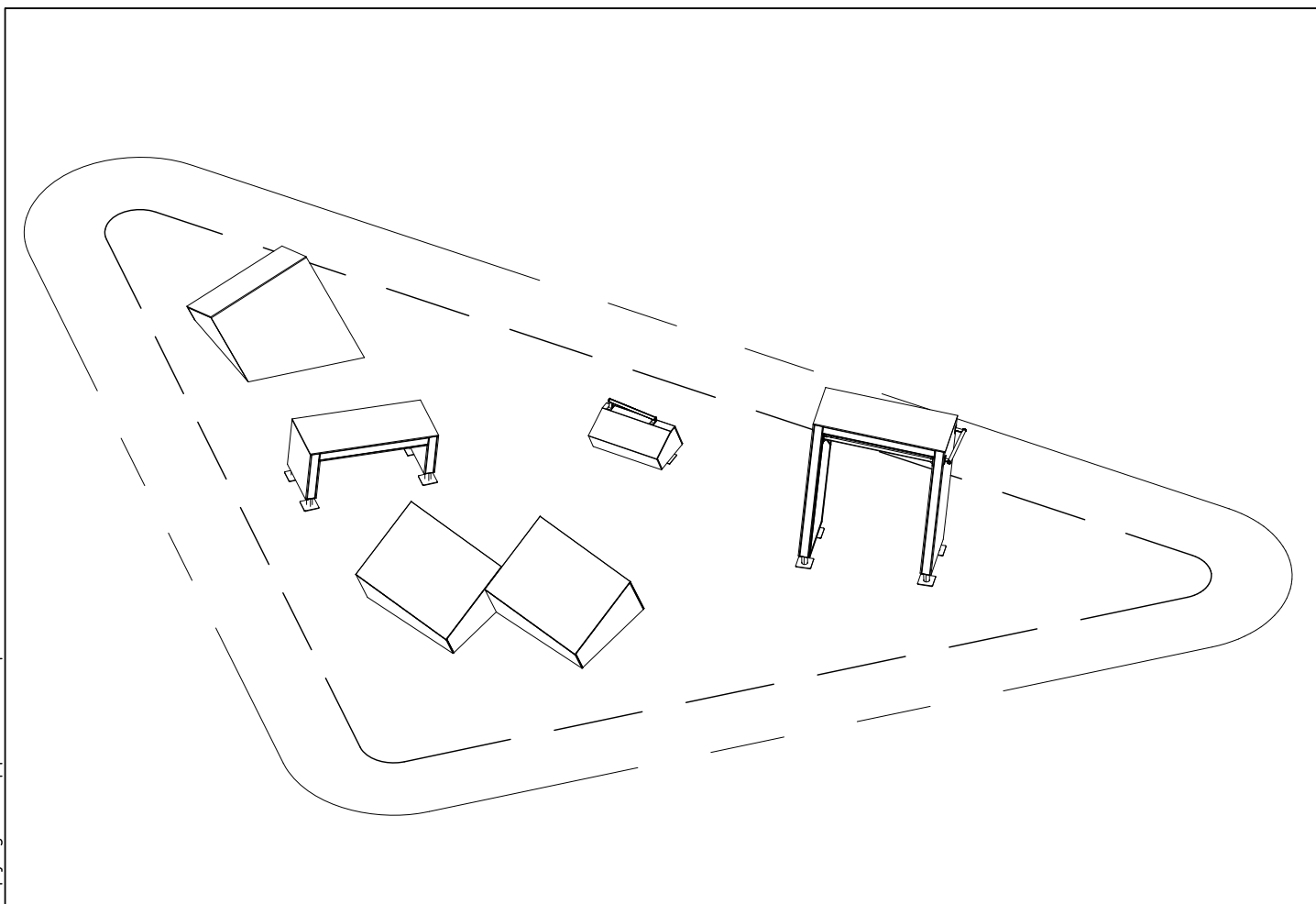
LAPPSET®

DASH PARKOUR

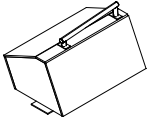
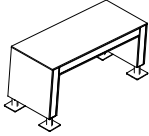
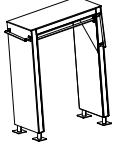
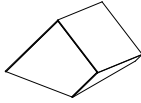
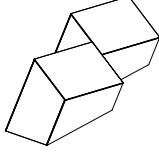





ASENNUSOHJE
MONTERINGSANSVISNING
INSTALLATION INSTRUCTION
AUFBAUANLEITUNG
NOTICE D'INSTALLATION

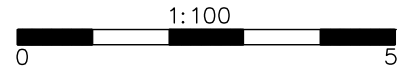
DATE: 16.12.2019

081766M

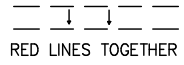


DATE: 16.12.2019

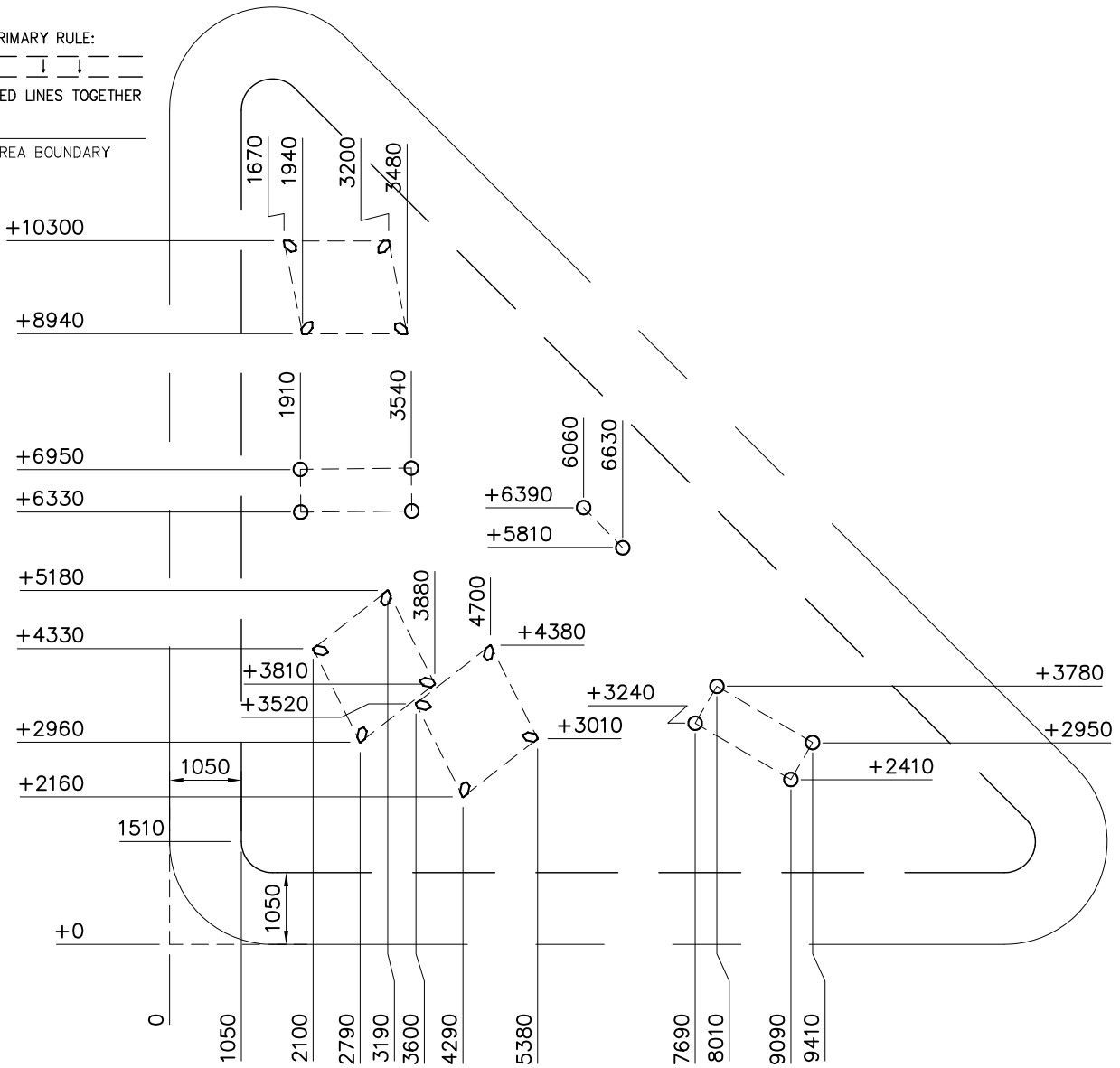
081702M	PCS	081730M	PCS	081732M	PCS	081740M	PCS	081744M	PCS		PCS
	1		1		1		1		1		
											
	PCS		PCS		PCS		PCS		PCS		PCS
	PCS		PCS		PCS		PCS		PCS		PCS
	PCS		PCS		PCS		PCS		PCS		PCS
	PCS		PCS		PCS		PCS		PCS		PCS

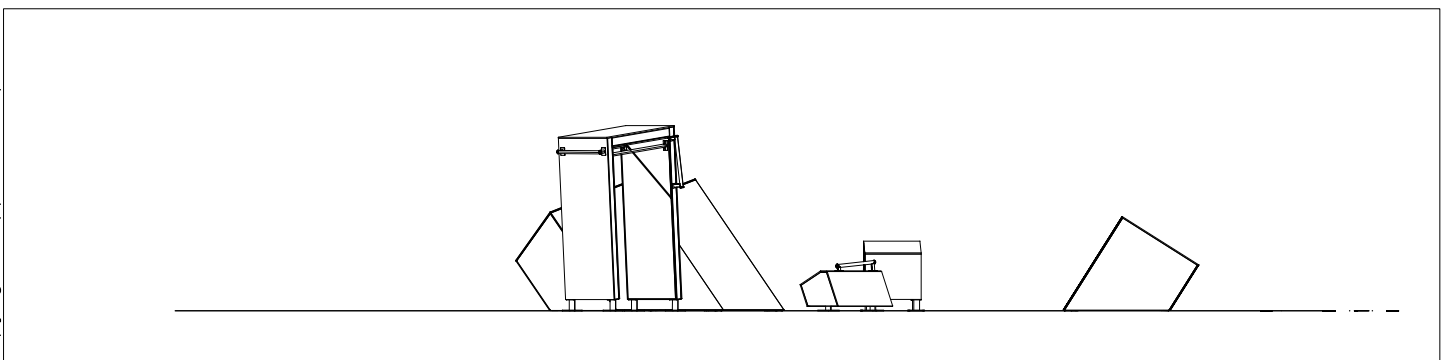
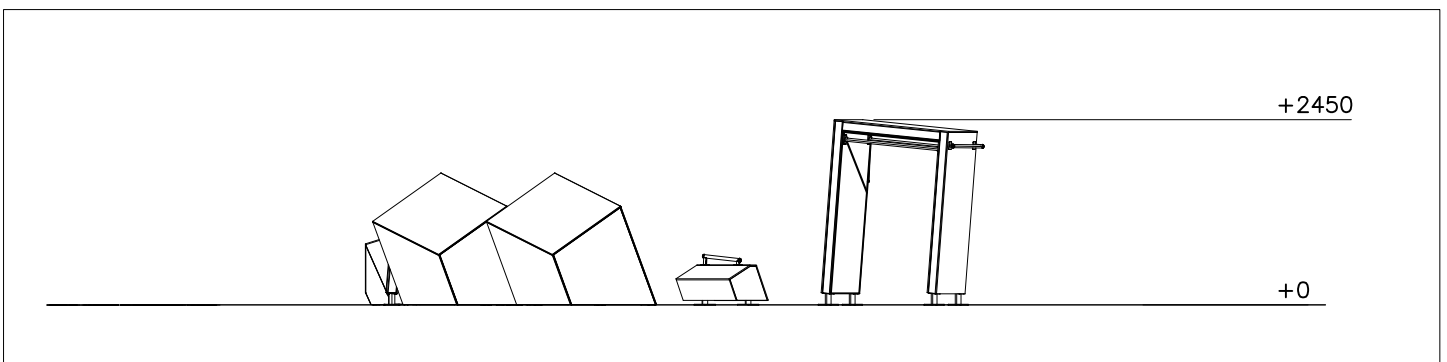
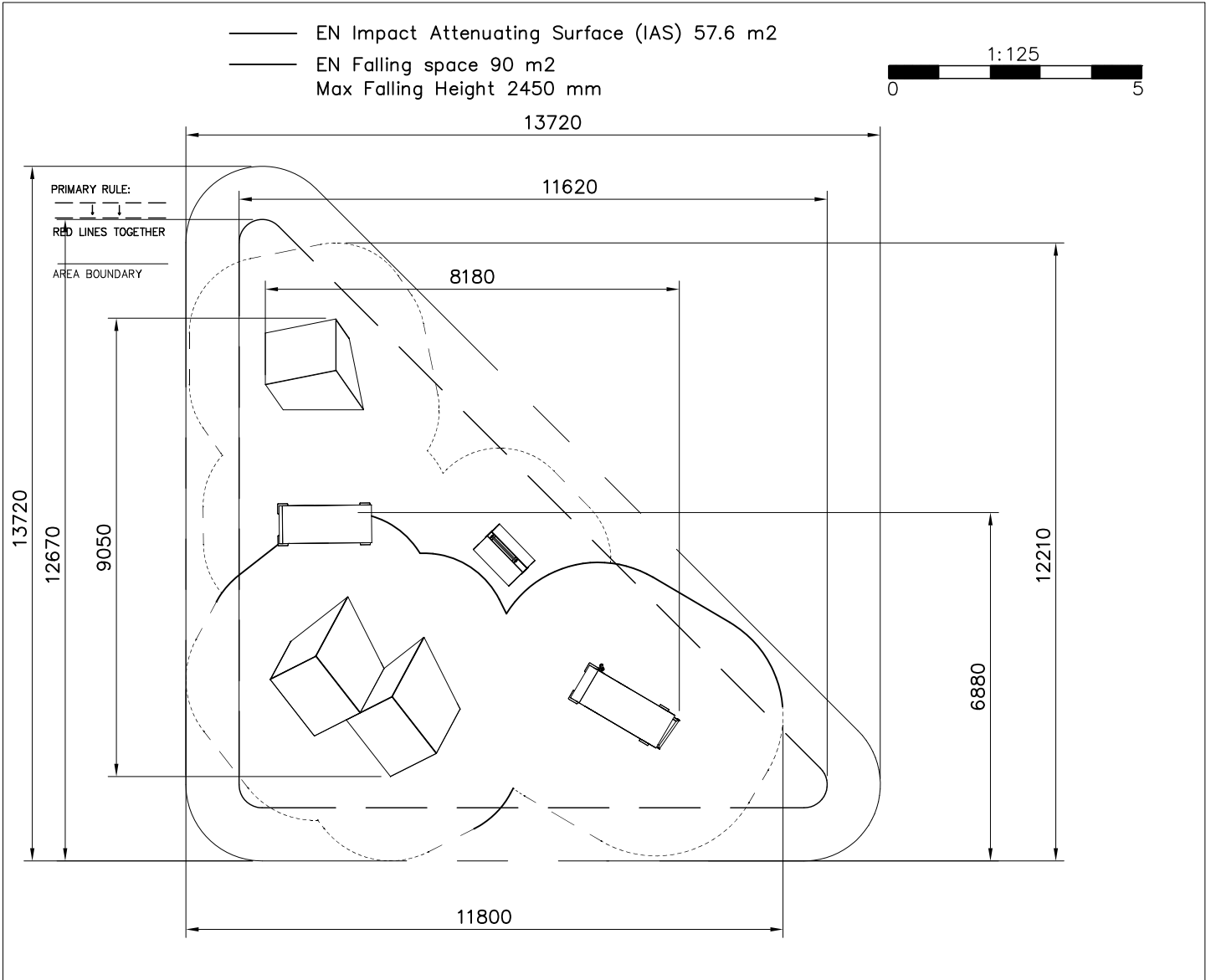


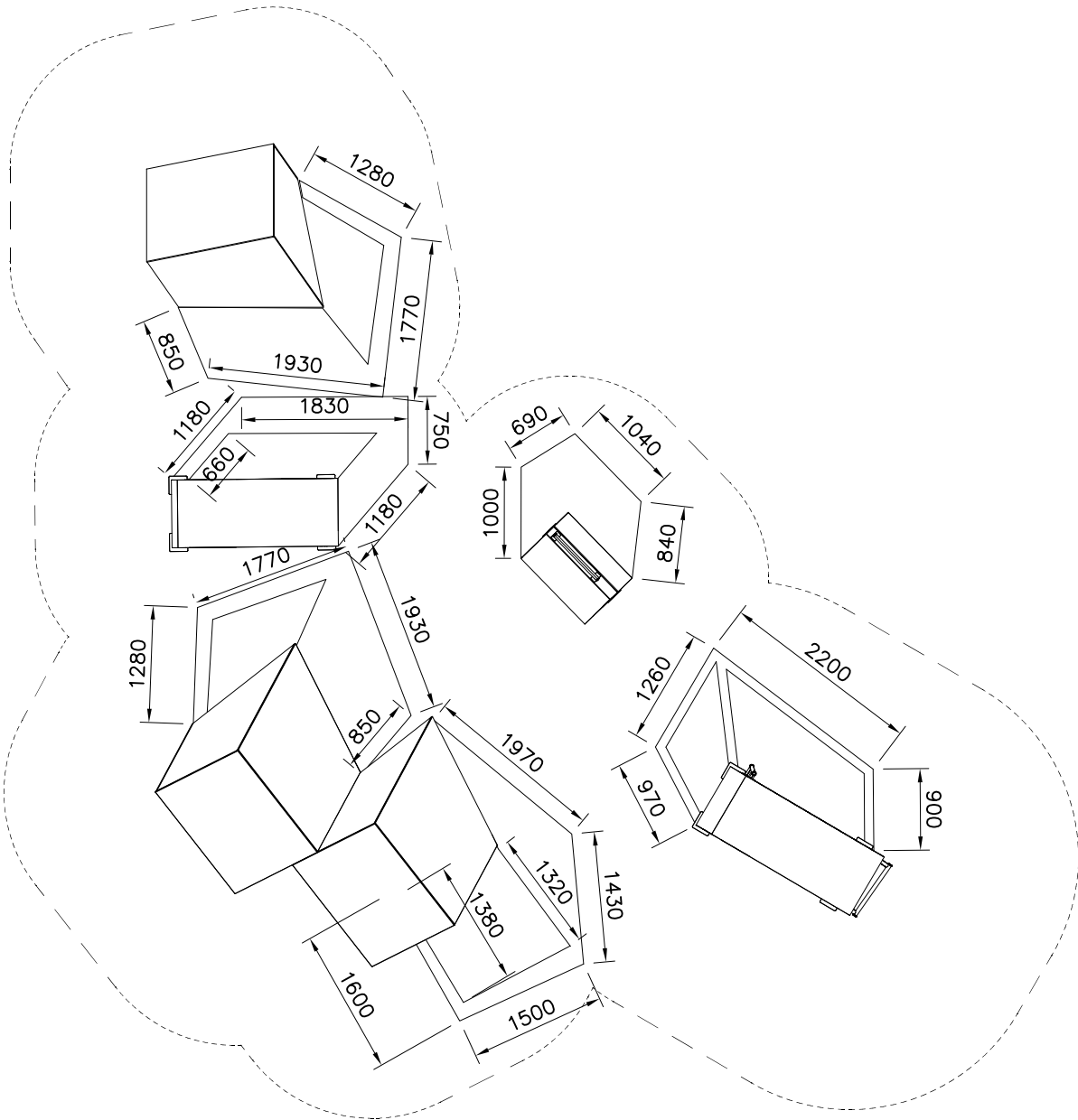
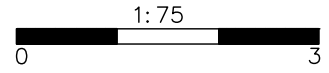
PRIMARY RULE:

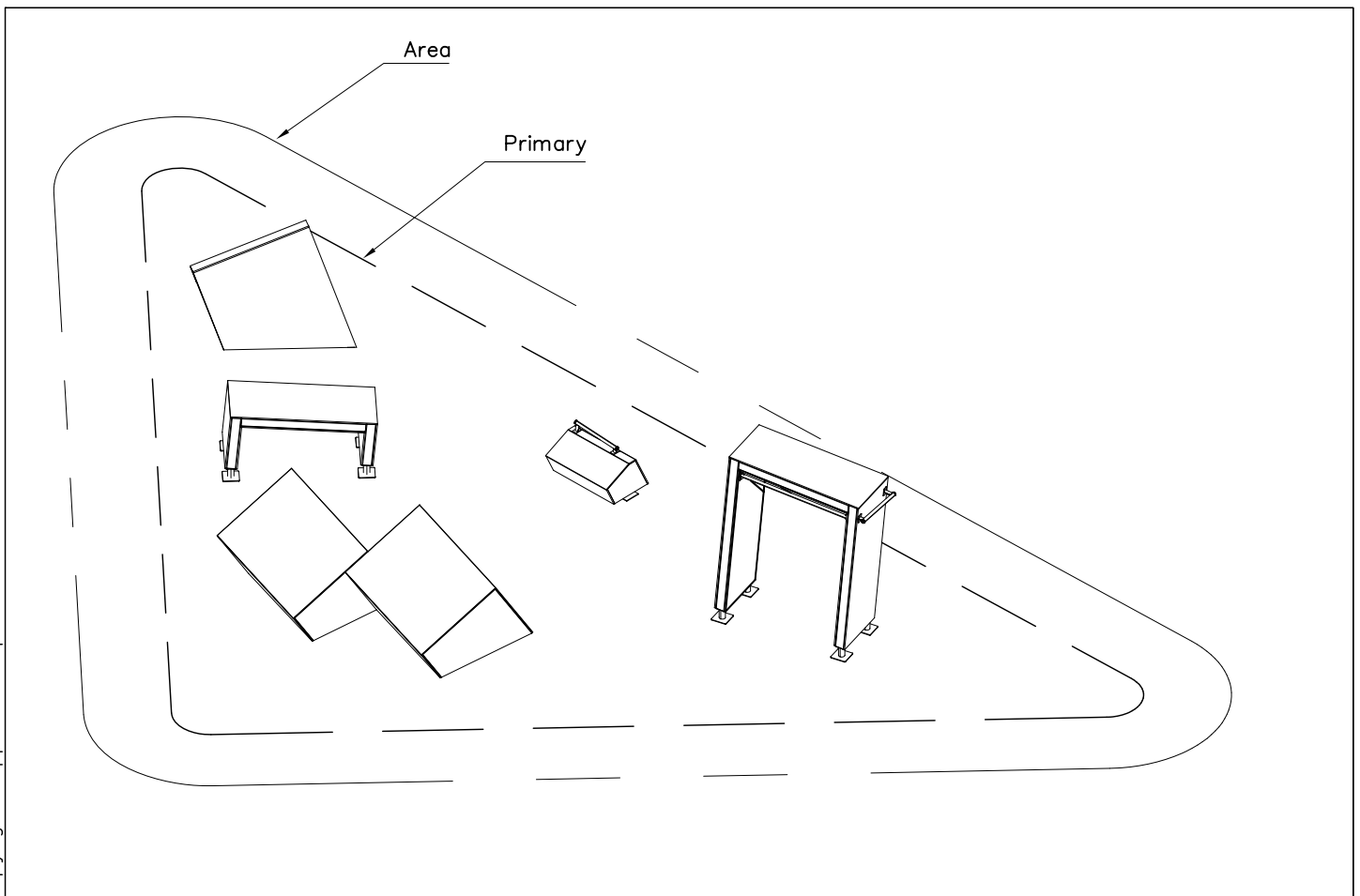
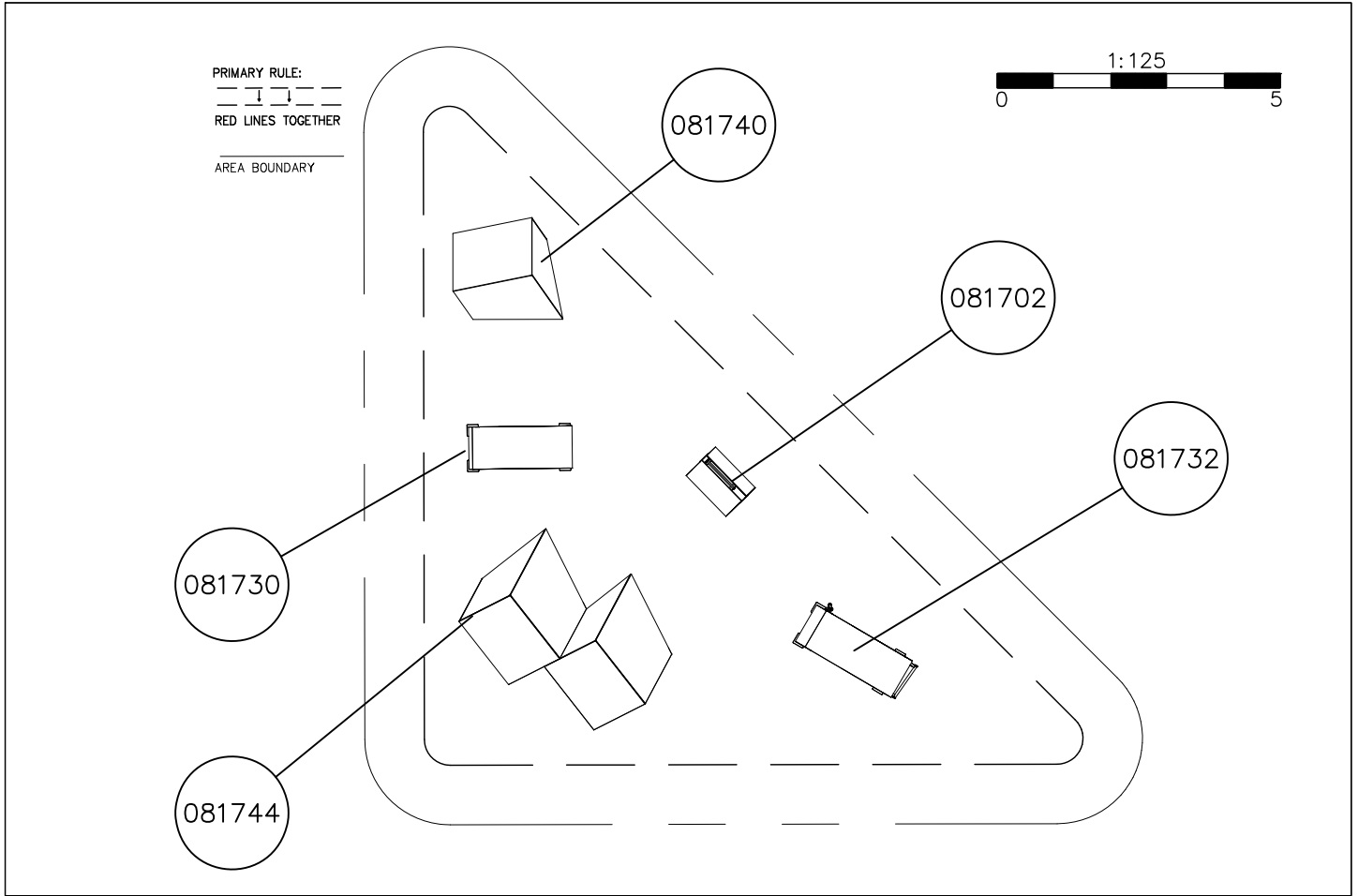


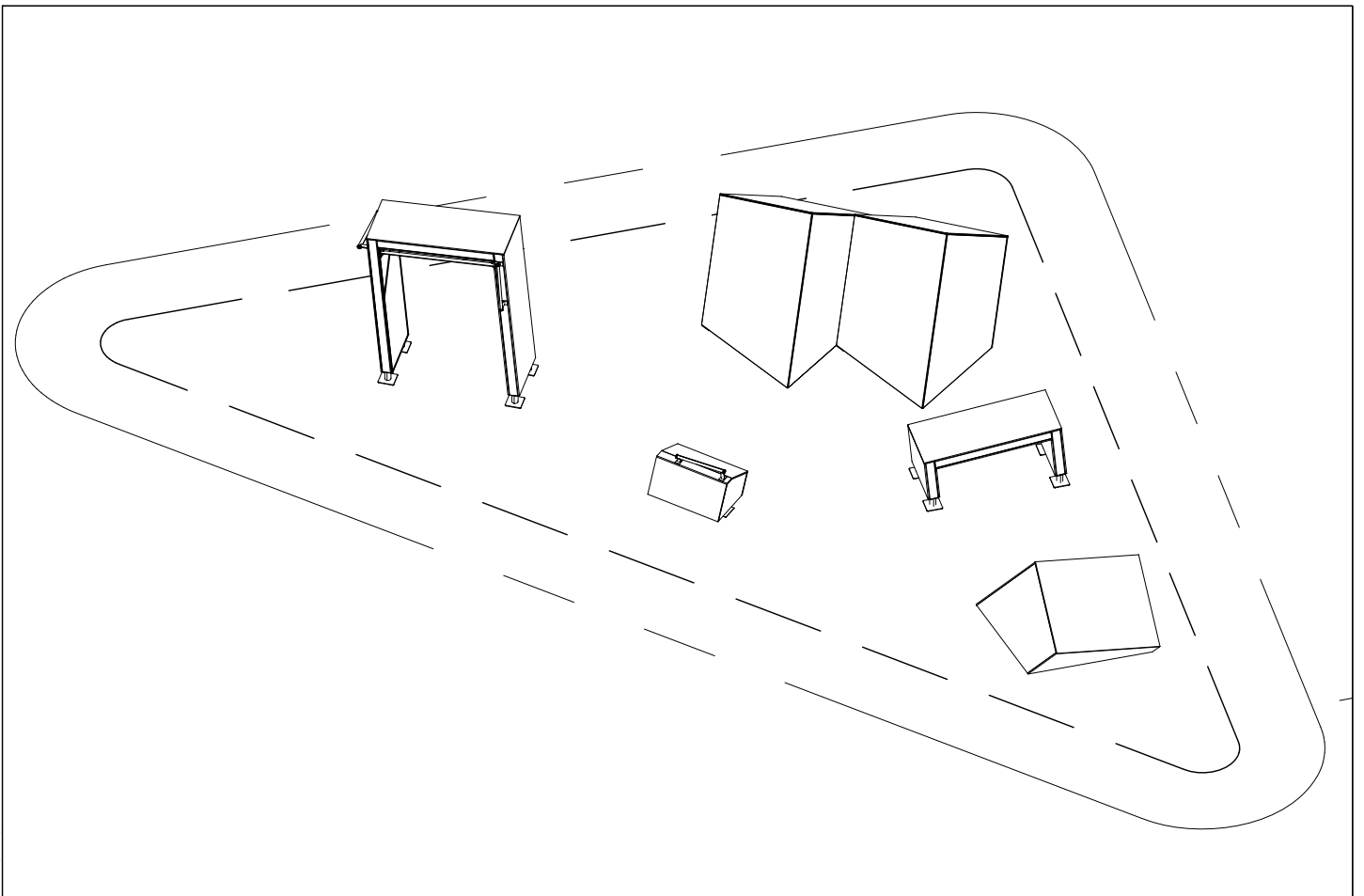
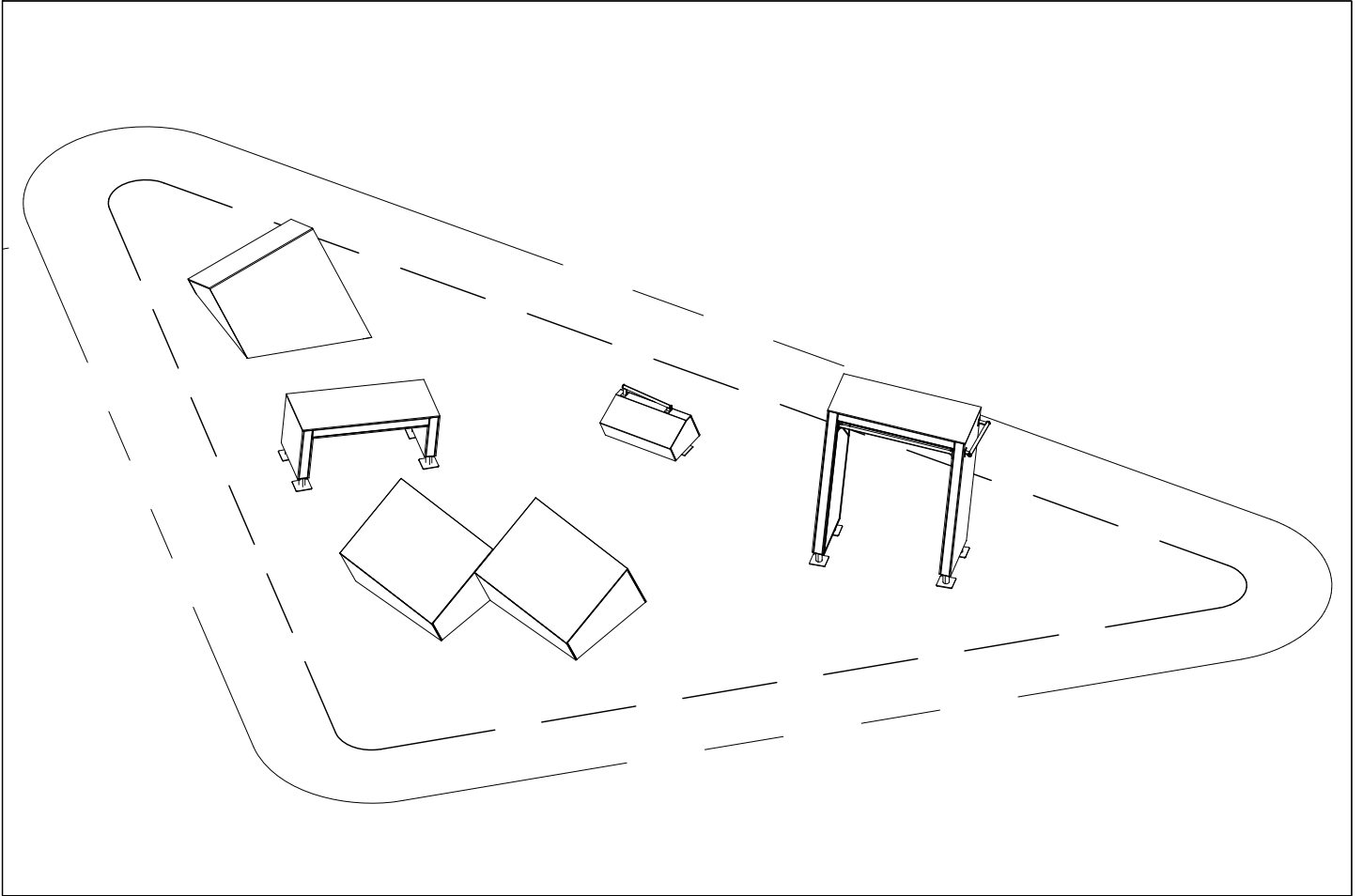
AREA BOUNDARY

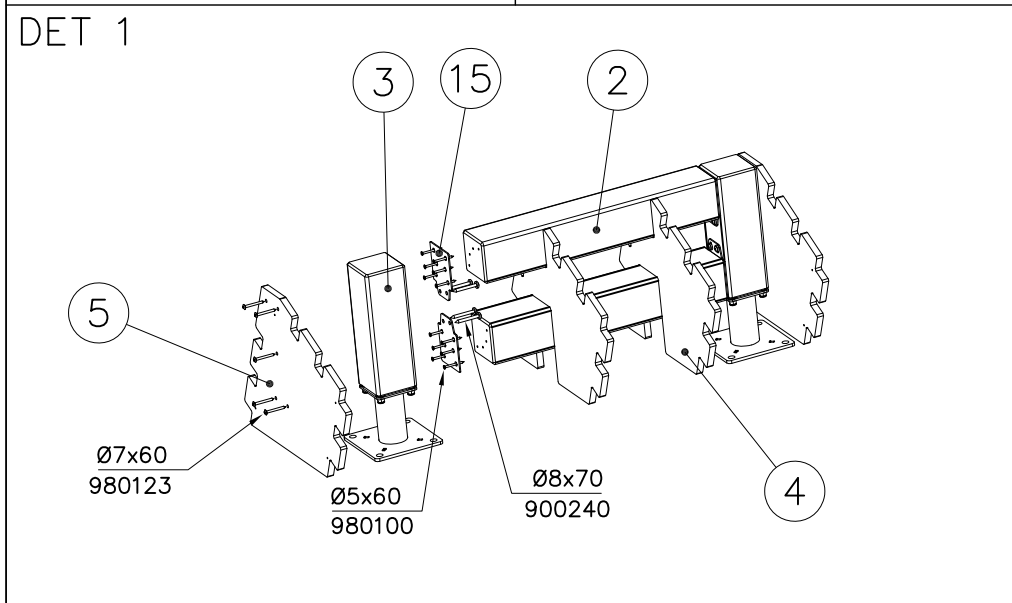
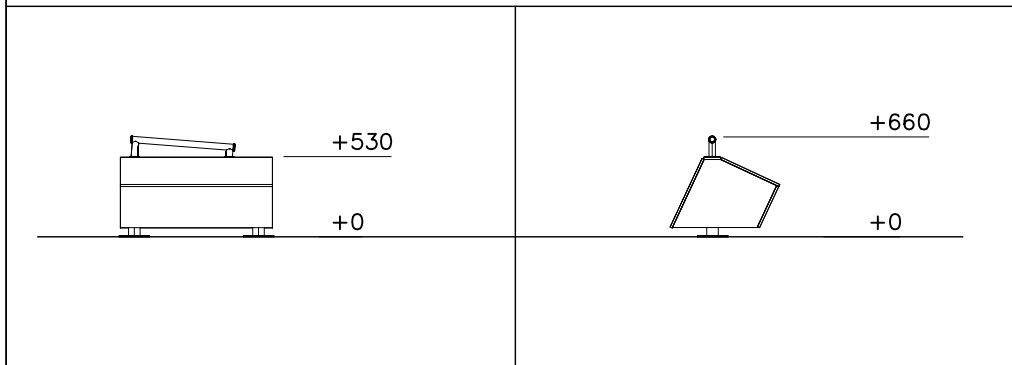
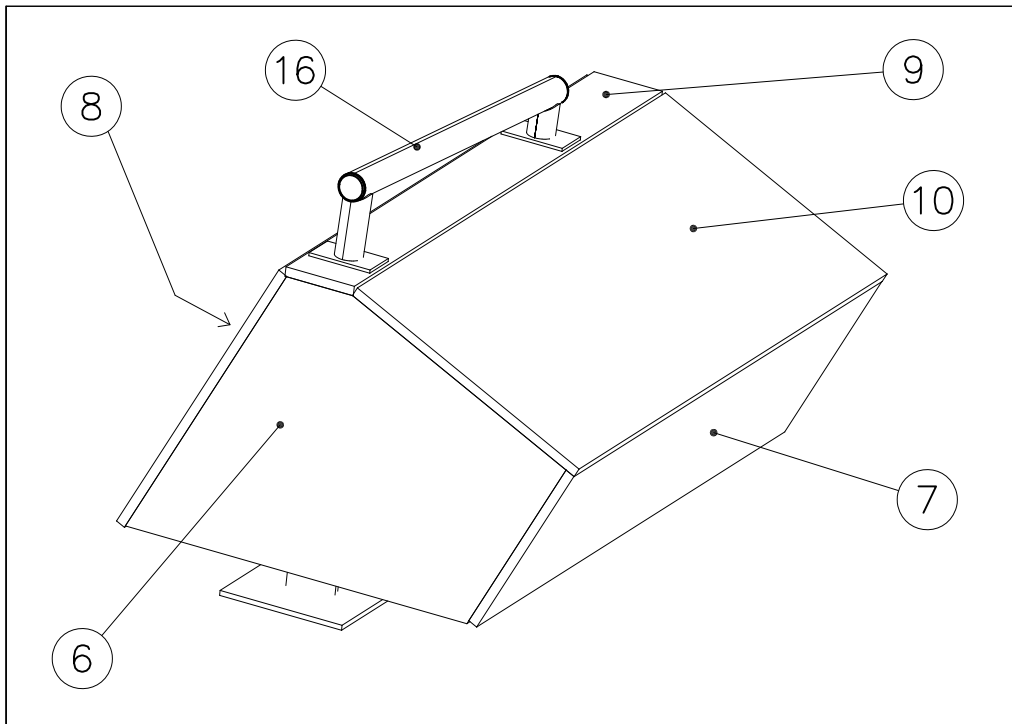


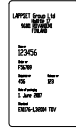
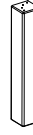
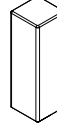
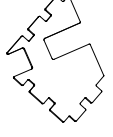
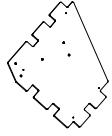
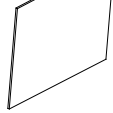
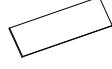

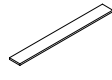
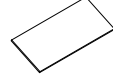



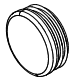


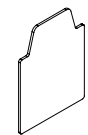
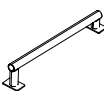






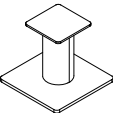
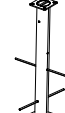


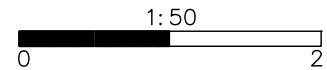
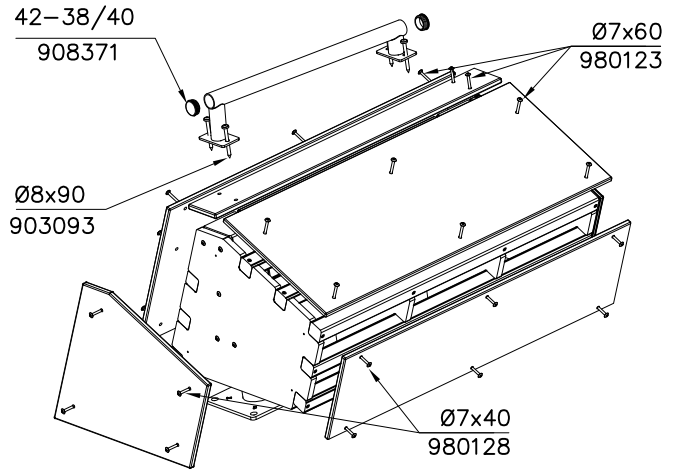
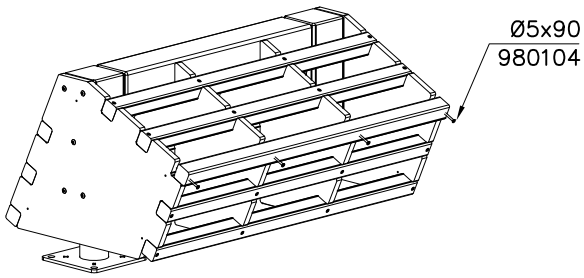
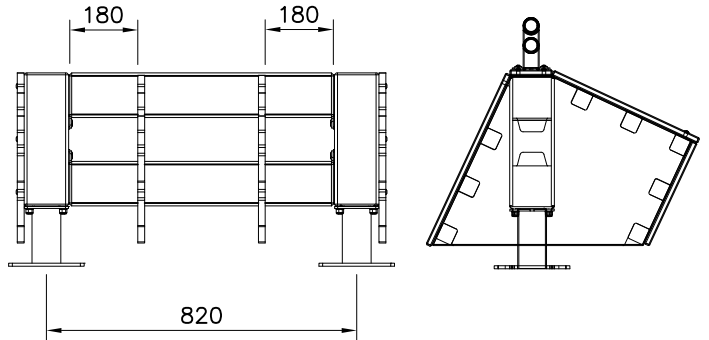




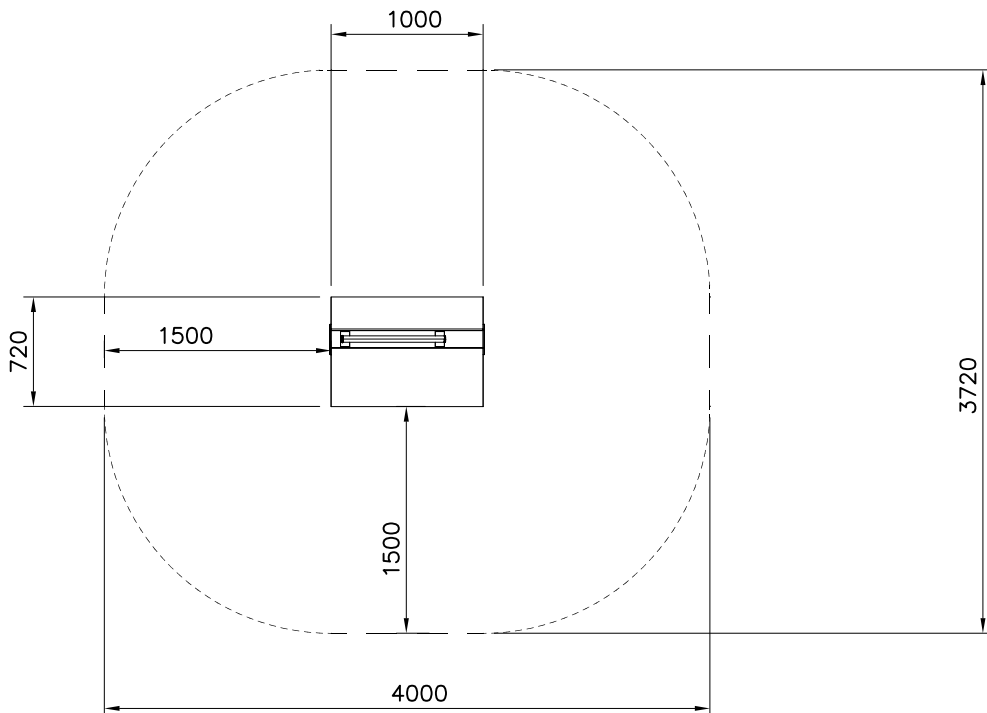
① 702341  90x50	PCS 1	② 708109  118x118x697	PCS 2
③ 708443  118x118x352	PCS 2	④ 708848  18x450x690	PCS 2
⑤ 708849  18x450x690	PCS 2	⑥ 708850  15x450x690	PCS 2
⑦ 708851  15x300x1005	PCS 1	⑧ 708852  15x500x1005	PCS 1
⑨ 708853  15x112x1005	PCS 1	⑩ 708854  15x425x1005	PCS 1
⑪ 708855  45x45x975	PCS 8	⑫ 900240  Ø8x70	PCS 8
⑬ 903093  Ø8x90	PCS 4	⑭ 908371  42-38/40	PCS 2

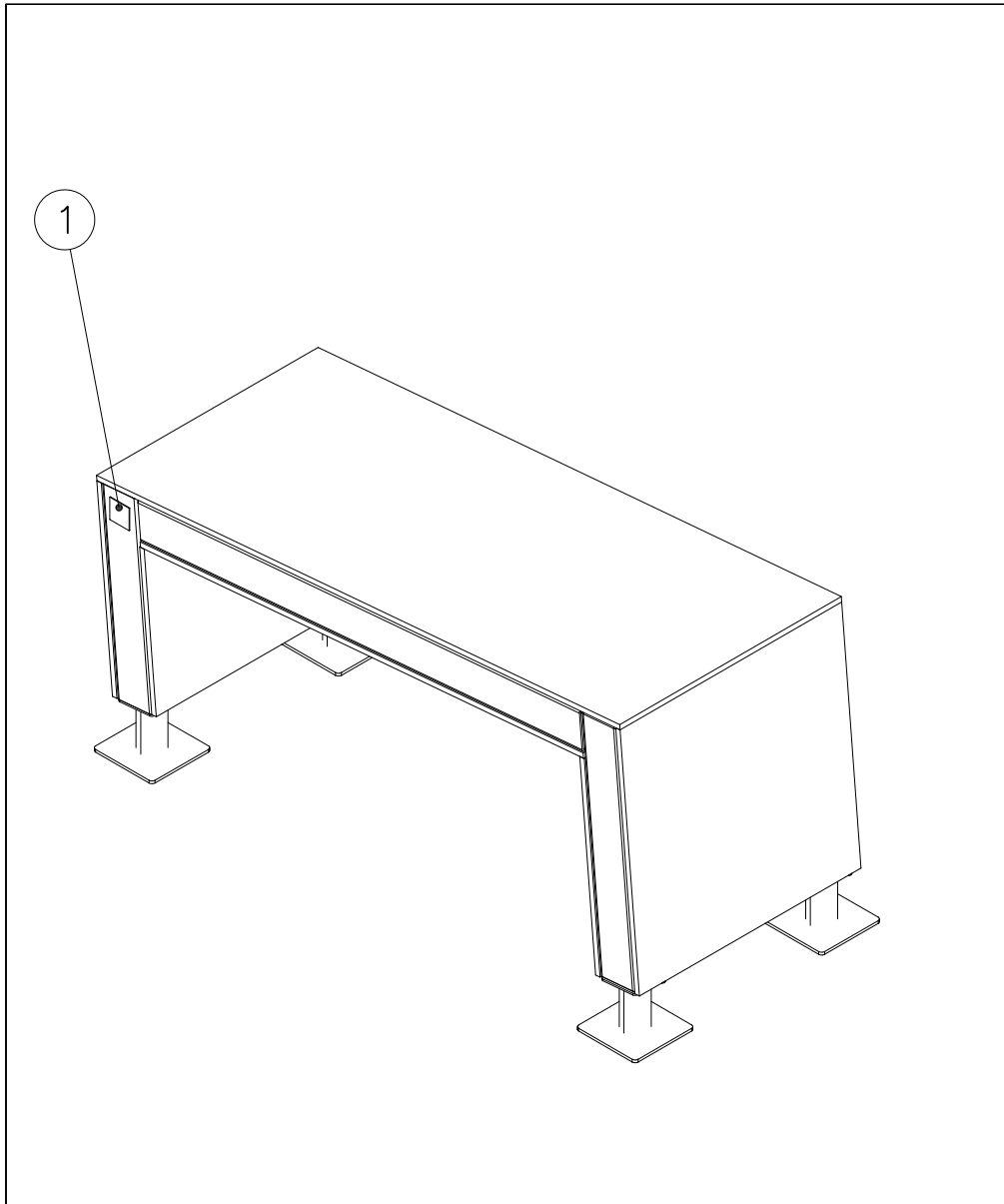
⑮ 908698  3x114x108	PCS 4	⑯ 910056  140x690	PCS 1	⑰ 980100  Ø5x60	PCS 24	⑱ 980104  Ø5x90	PCS 32	⑲ 980123  Ø7x60	PCS 27	⑳ 980128  Ø7x40	PCS 14
--	----------	--	----------	--	-----------	--	-----------	--	-----------	--	-----------


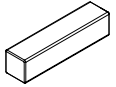

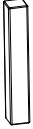

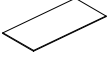
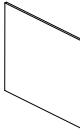

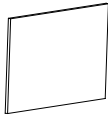
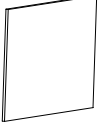
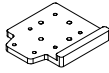

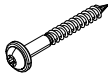

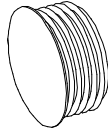
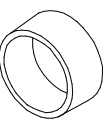
709261+		709262+	
○ 910330	PCS	○ 910567	PCS
SURFACE	2	CONCRETE	2
			
152x200x200		117x117x715	

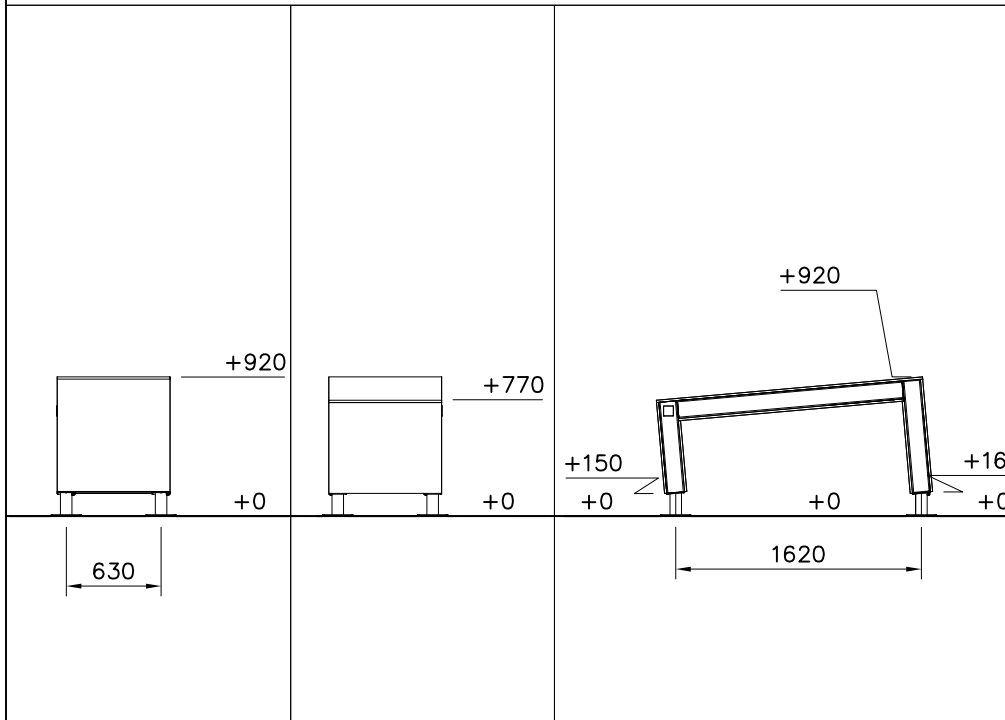


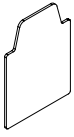
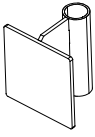



----- Falling Space 13 m²
Max Falling Height 660 mm



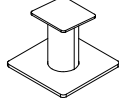



① 702286  65x65	PCS 1	② 707210  118x118x503	PCS 4
③ 707213  118x118x1490	PCS 2	④ 708127  118x118x603	PCS 2
⑤ 708137  118x118x745	PCS 2	⑥ 708721  15x745x1766	PCS 1
⑦ 708725  15x603x745	PCS 1	⑧ 708726  15x745x745	PCS 1
⑨ 708834  15x745x470	PCS 1	⑩ 708835  15x745x612	PCS 1
⑪ 708857 JIG  20x133x149	PCS 1	⑫ 709204  15x745x1495	PCS 1
⑬ 900240  Ø8x70	PCS 32	⑭ 903093  Ø8x90	PCS 8
⑮ 905103  PT-28/32-H	PCS 8	⑯ 905112  Ø22	PCS 8

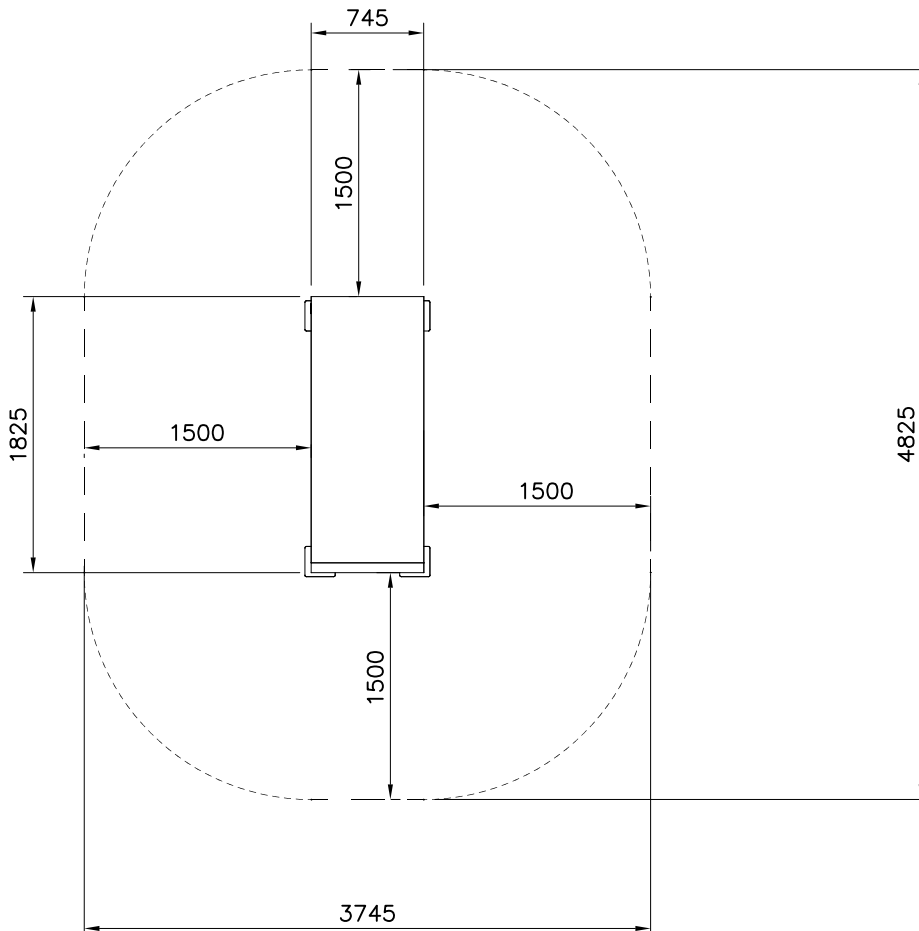
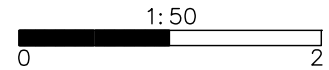


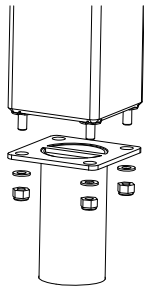
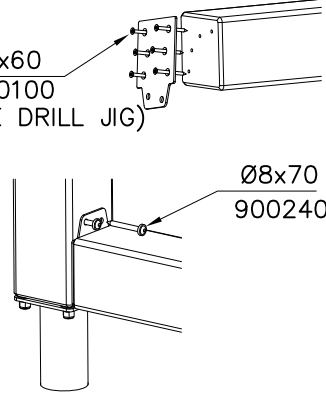
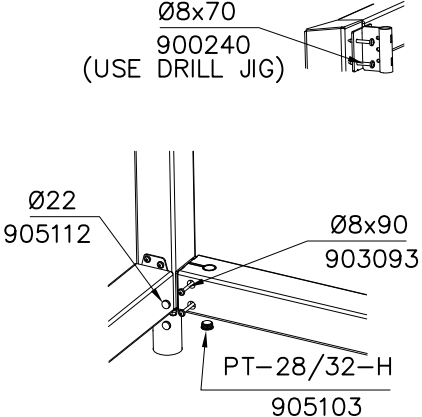
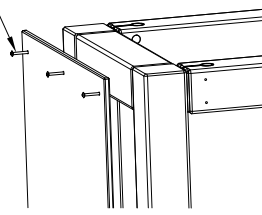
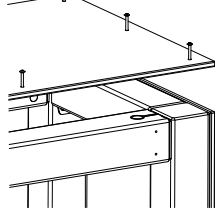
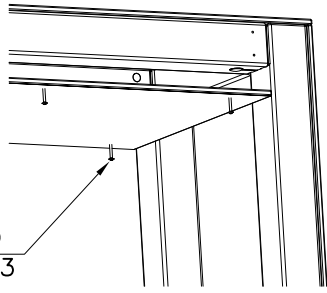
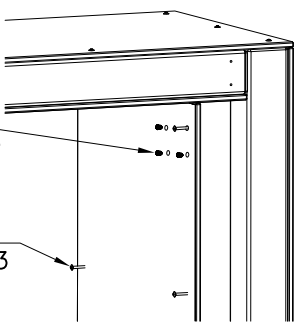
⑰ 908698	PCS 8	⑱ 910266	PCS 4	⑲ 980114	PCS 4	⑳ 980100	PCS 48	㉑ 980123	PCS 38		PCS		PCS
													
3x114x108		90x108x118		Ø4x20		Ø5x60		Ø7x60					
	PCS		PCS		PCS								

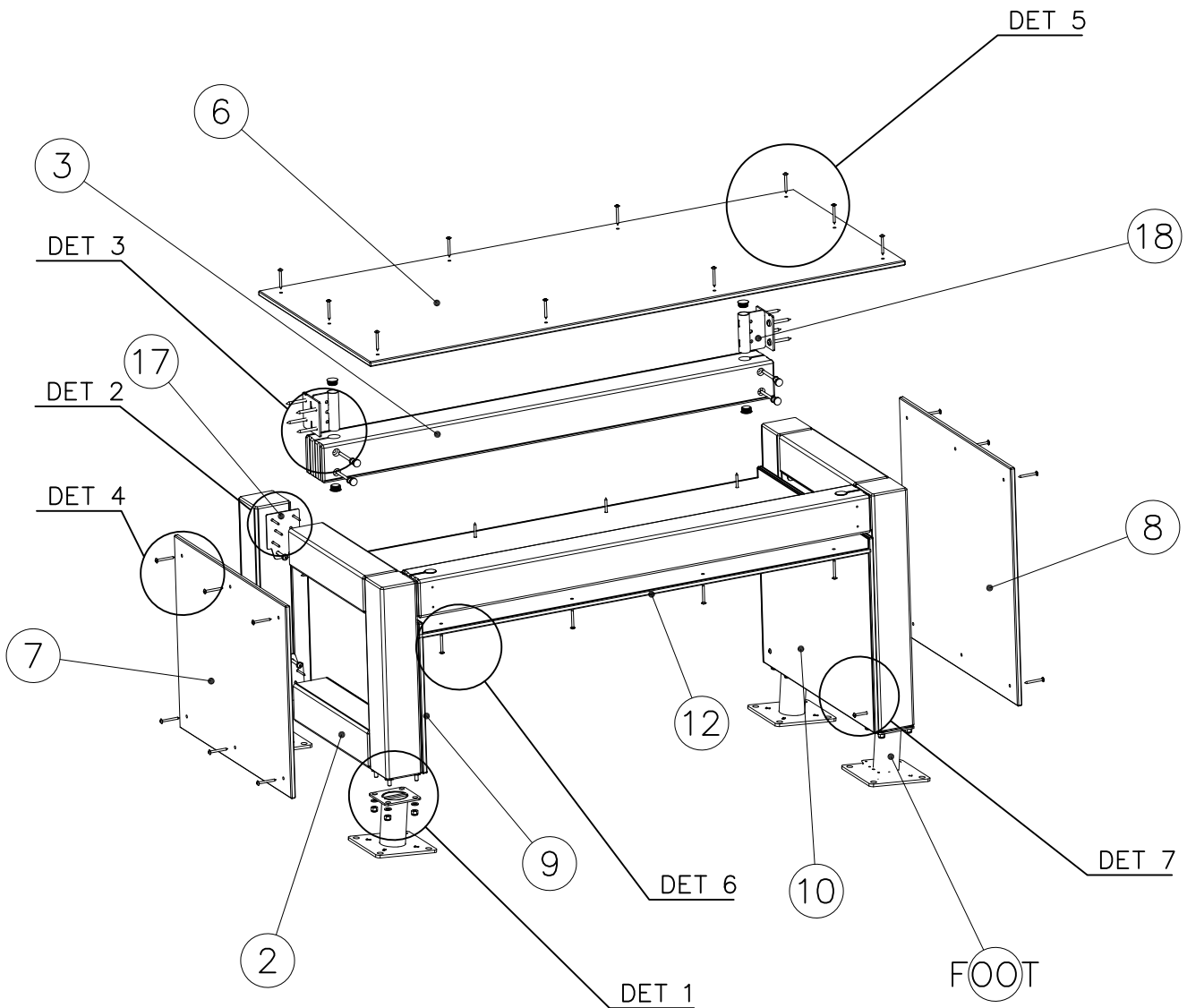
FOOT OPTIONS

709261+		709262+	
○ 910267	PCS 4	○ 910567	PCS 4
SURFACE		CONCRETE	
			
152x200x200		117x117x715	

----- Falling Space 16.1 m²
Max Falling Height 920 mm



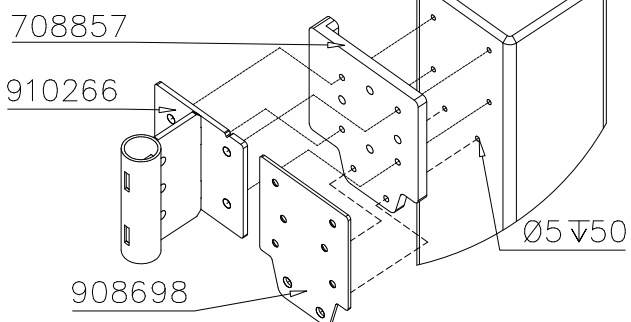
<p>DET 1</p> 	<p>DET 2</p>  <p>Ø5x60 980100 (USE DRILL JIG)</p> <p>Ø8x70 900240</p>	<p>DET 3</p>  <p>Ø8x70 900240 (USE DRILL JIG)</p> <p>Ø22 905112</p> <p>Ø8x90 903093</p> <p>PT-28/32-H 905103</p>
<p>DET 4</p>  <p>Ø7x60 980123</p>	<p>DET 5</p>  <p>Ø7x60 980123</p>	<p>DET 6</p>  <p>Ø7x60 980123</p>
<p>DET 7</p>  <p>SRL12 903533</p> <p>Ø7x60 980123</p>		

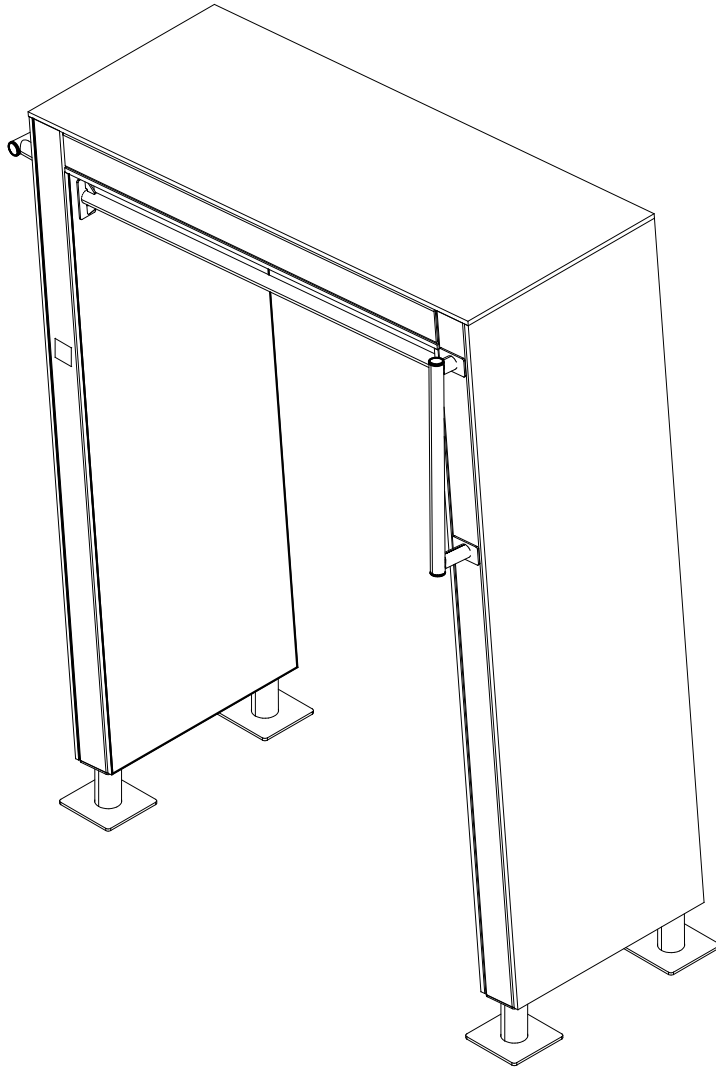


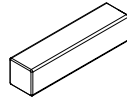





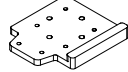
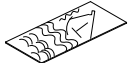







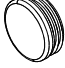
JIG DET A (USE DET 2-3)

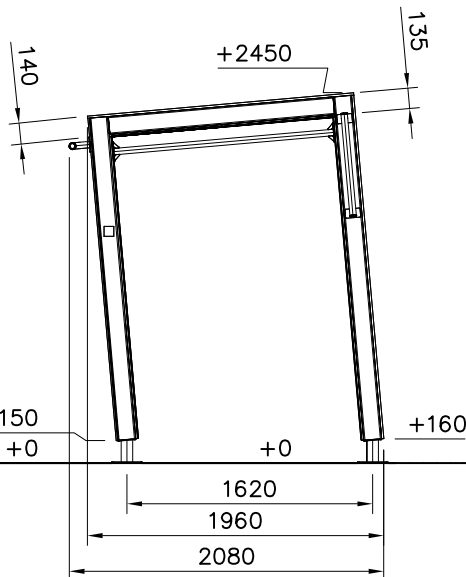
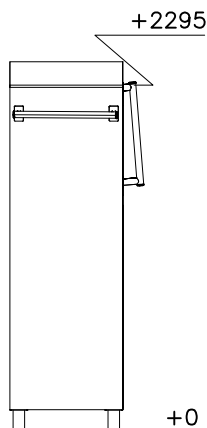
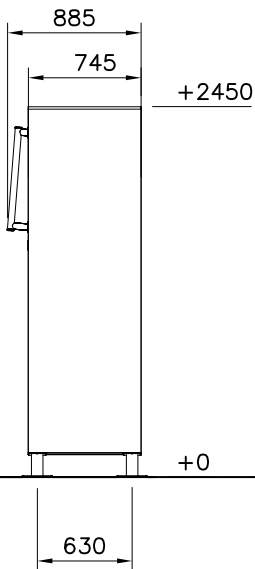
NOTE:

Use drill jig 708857 to predrill $\text{Ø}5 \nabla 50$ holes for 910266 and 908698



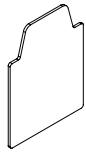
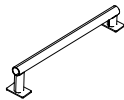
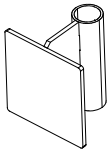









① 707210  118x118x503	PCS 4	② 707213  118x118x1490	PCS 2
③ 708522  118x118x2139	PCS 2	④ 708688  118x118x2279	PCS 2
⑤ 708721  15x745x1766	PCS 1	⑥ 708722  15x745x2280	PCS 1
⑦ 708857 JIG  20x133x149	PCS 1	⑧ 911297 MURAL  12x745x2140	PCS 1
⑨ 911293 COLOR  15x745x2145	PCS 1	⑩ 911295 COLOR  15x745x2004	PCS 1
⑪ 911301 COLOR  15x745x1495	PCS 1	⑫ 900240  Ø8x70	PCS 56
⑬ 903093  Ø8x90	PCS 8	⑭ 905103  PT-28/32-H	PCS 8
⑮ 905112  Ø22	PCS 8	⑯ 908371  42-38/40	PCS 4

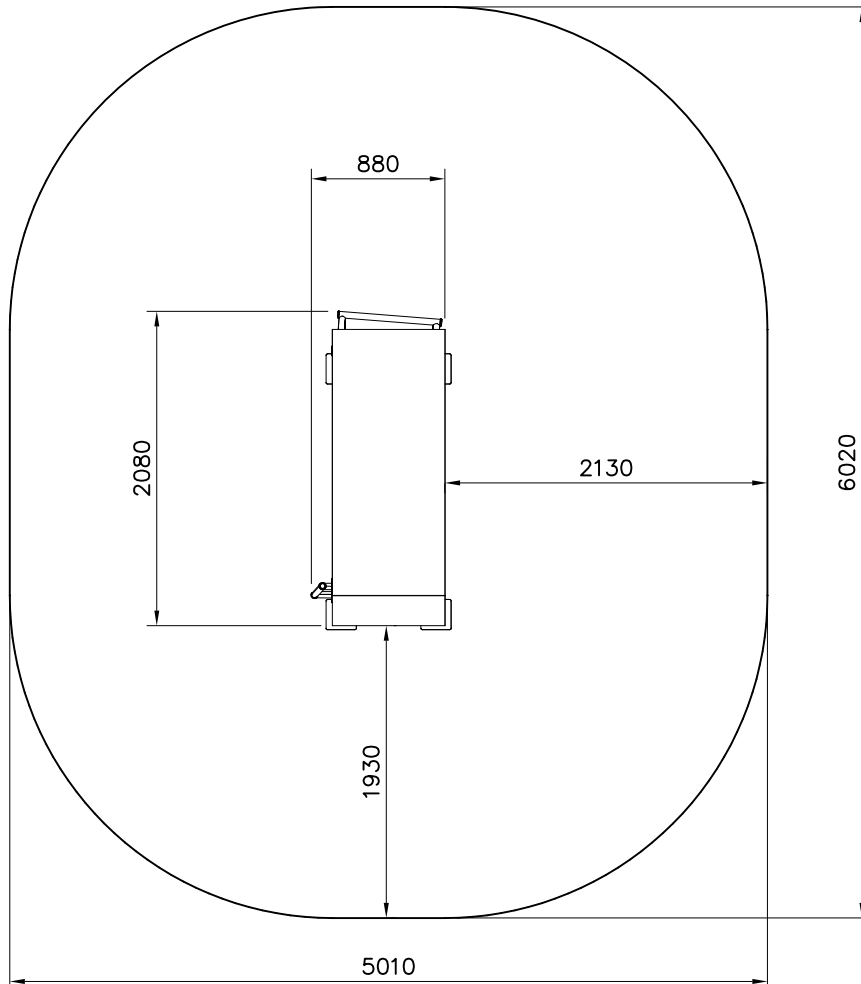
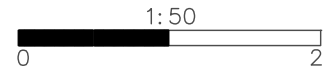


630

1620
1960
2080

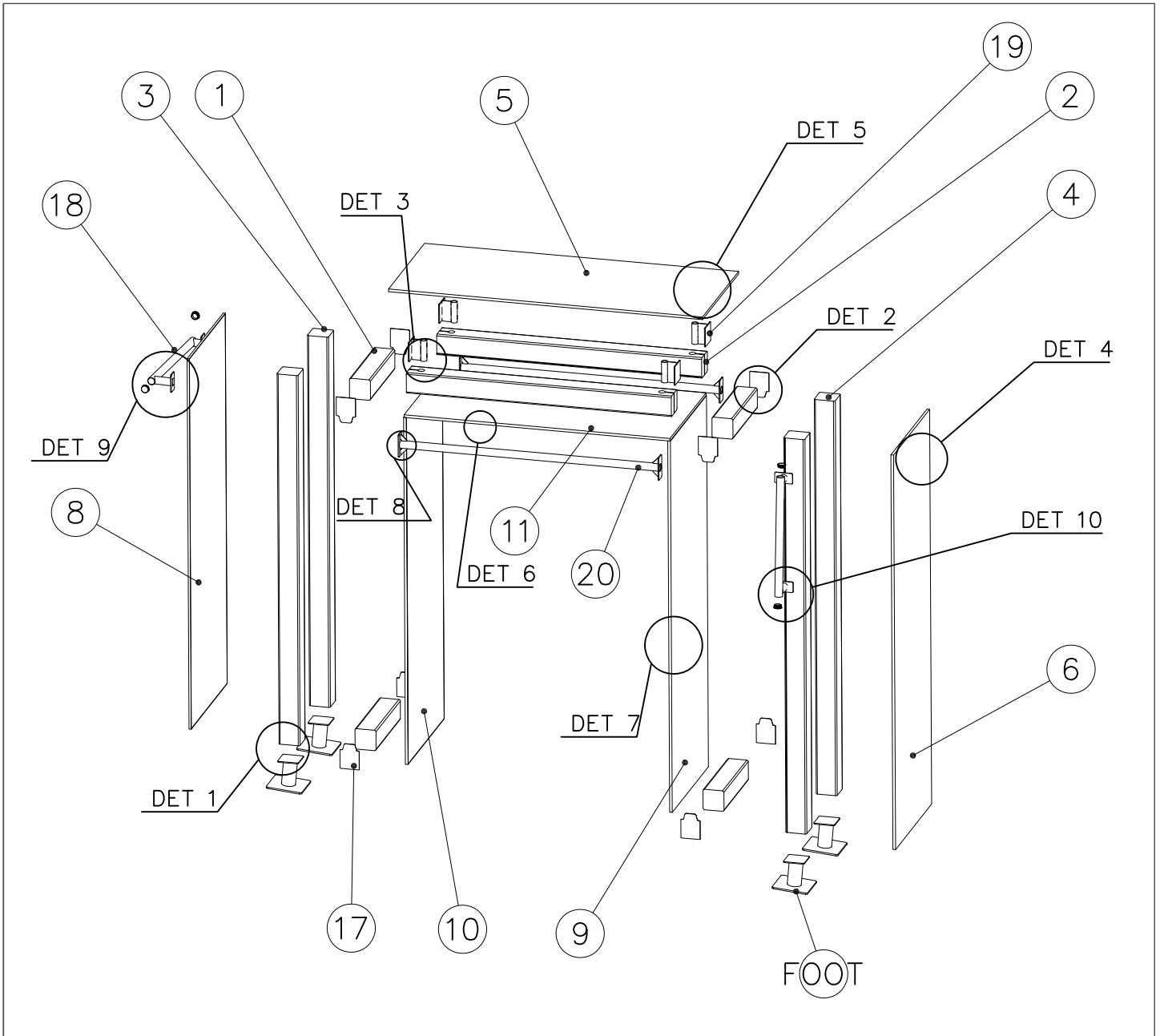
17	908698	PCS	18	910056	PCS	19	910266	PCS	20	910328	PCS	21	980100	PCS	22	980123	PCS		PCS		
	8			2			4			2		48			56						
3x114x108			140x690			90x108x118			L 1466		Ø5x60			Ø7x60							
23	702286	PCS	24	980114	PCS	FOOT OPTIONS															
	1			4																	
65x65			Ø4x20																		
																709261+		709262+			
																910267	PCS	910567	PCS		
																SURFACE	4	CONCRETE	4		
																					
																152x200x200		117x117x715			

- EN Impact Attenuating Surface (IAS) 26.3 m2
- - - - Falling Space 26.3 m2
- Max Falling Height 2450 mm



<p>DET 1</p>	<p>DET 2</p>	<p>DET 3</p>
<p>DET 4</p>	<p>DET 5</p>	<p>DET 6</p>
<p>DET 7</p>	<p>DET 8</p>	<p>DET 9</p>

<p>DET 10 DRILL PREHOLES BEFORE INSTALLING HANDLES</p>
--



JIG DET A (USE DET 2-3)

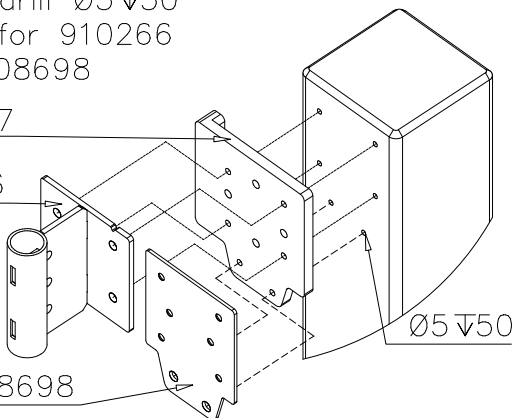
NOTE:

Use drill jig 708857 to predrill $\text{Ø}5 \nabla 50$ holes for 910266 and 908698

708857

910266

908698



JIG DET B (USE DET 9, 10)

Plywood

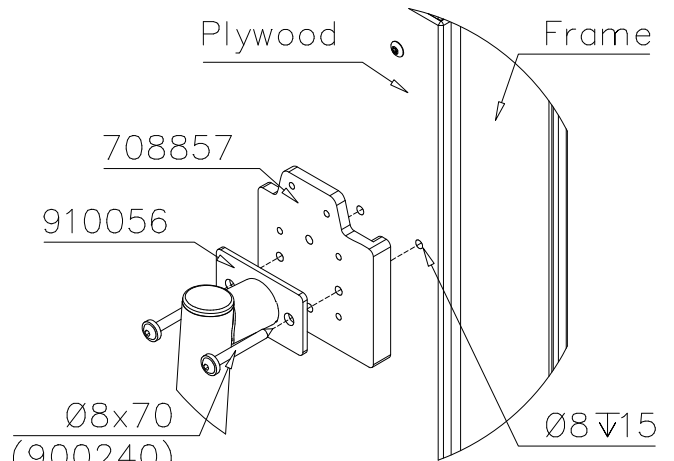
Frame

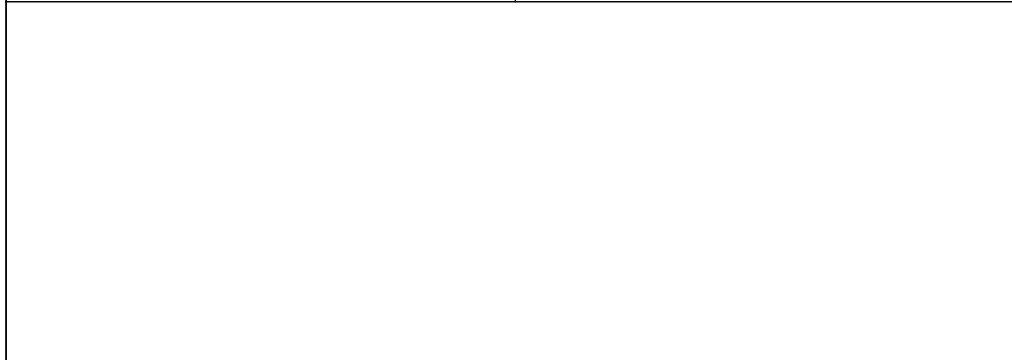
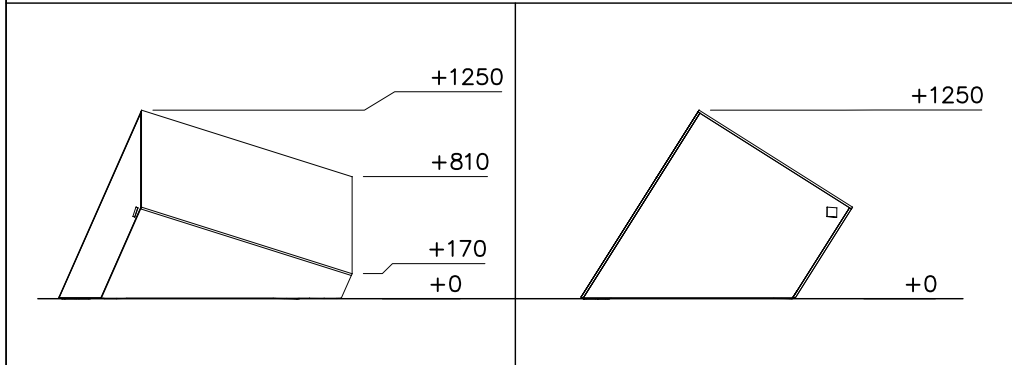
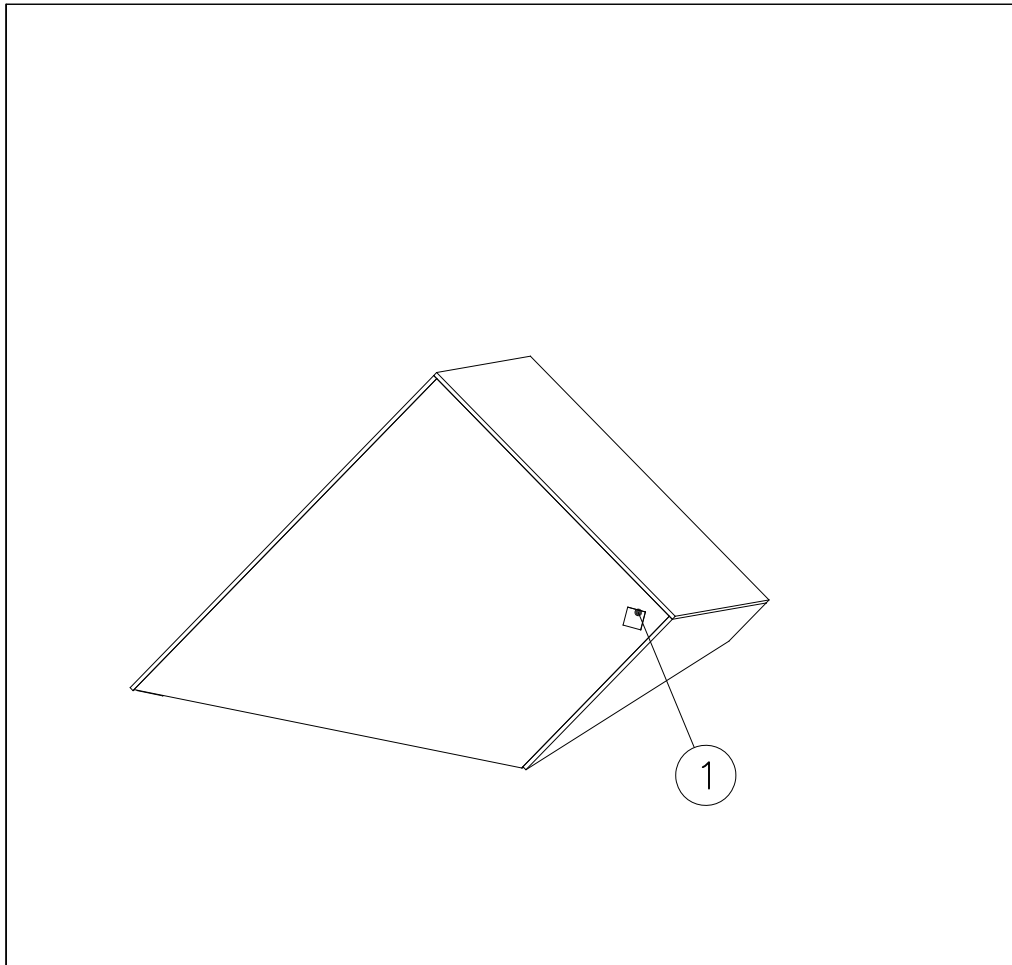
708857

910056

$\text{Ø}8 \times 70$
(900240)





$\text{Ø}8 \nabla 15$






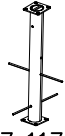
① 702341 90x50	PCS 1	② 709159 15x1200x1486	PCS 1
③ 709164 18x80x1135	PCS 2	④ 709165 18x80x1420	PCS 2
⑤ 709168 15x1486x1545	PCS 1	⑥ 709169 15x1170x1540	PCS 1
⑦ 709170 15x1170x1620	PCS 1	⑧ 709171 15x990x1170	PCS 1
⑨ 902233 M10x30	PCS 24	⑩ 905112 Ø22	PCS 24
⑪ 909637 M10	PCS 24	⑫ 909638 Ø20/10.5	PCS 48
⑬ 909876 M8x40	PCS 48	⑭ 910744 154x1160x1445	PCS 1

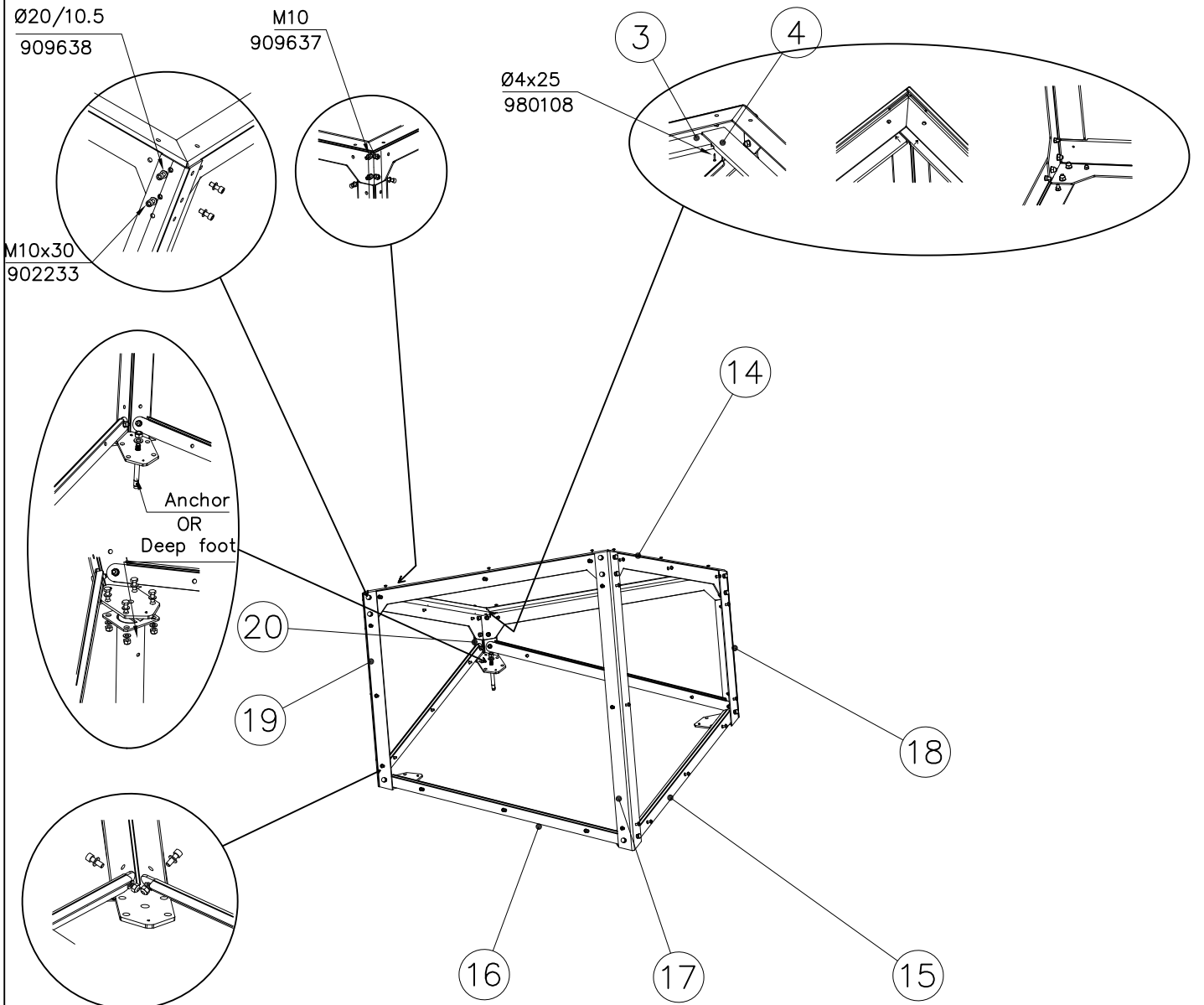
⑮ 910768 30x60x1349	PCS 2	⑯ 910769 30x60x1504	PCS 2	⑰ 910789 L 1528	PCS 1	⑱ 910790 L 796	PCS 1	⑲ 910791 L 1016	PCS 1	⑳ 910792 L 254	PCS 1
----------------------------	----------	----------------------------	----------	------------------------	----------	-----------------------	----------	------------------------	----------	-----------------------	----------

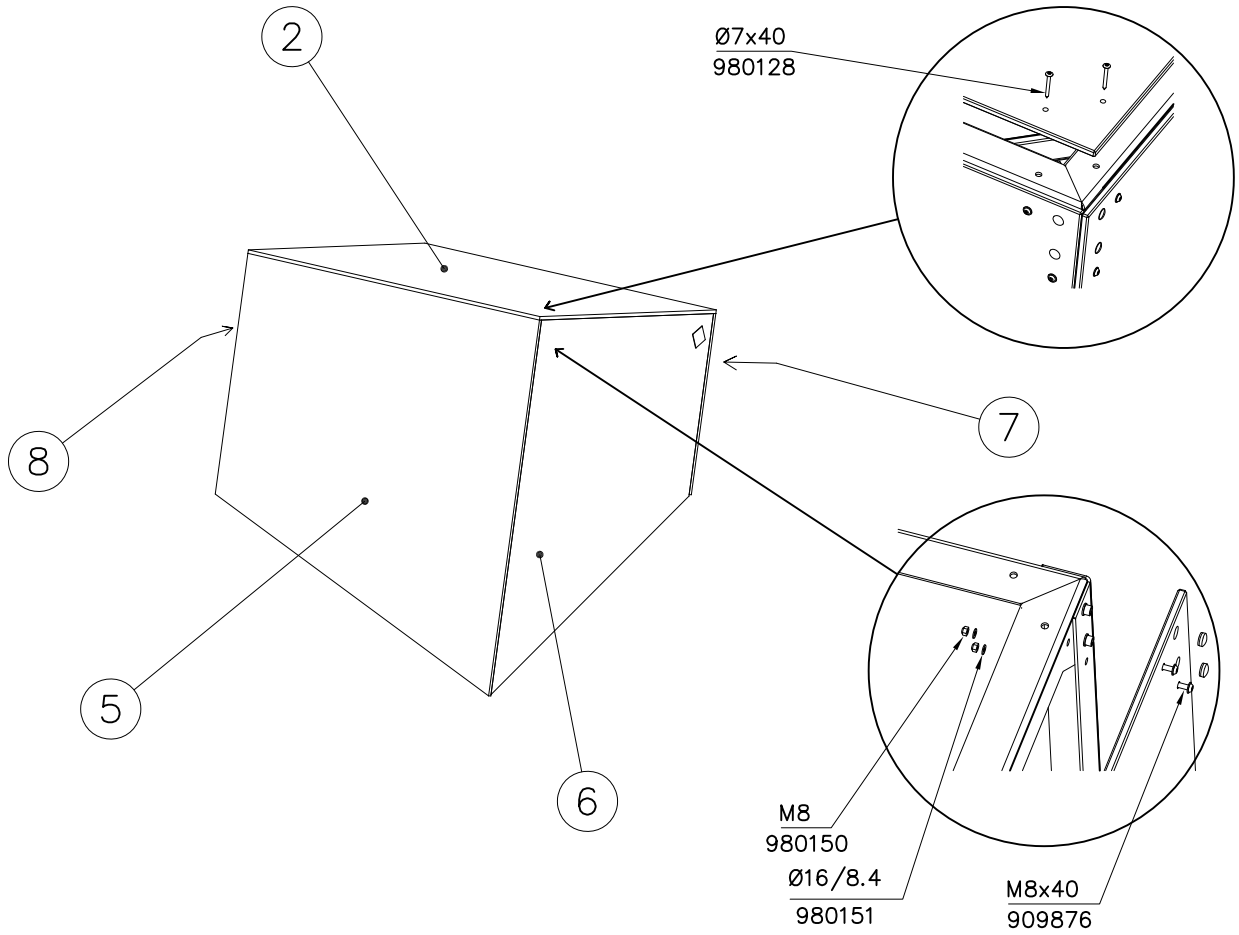
②1	980108	PCS	②2	980128	PCS	②3	980150	PCS	②4	980151	PCS
		4			12			48			48
	Ø4x25			Ø7x40			M8			Ø16/8.4	

FOOT OPTION

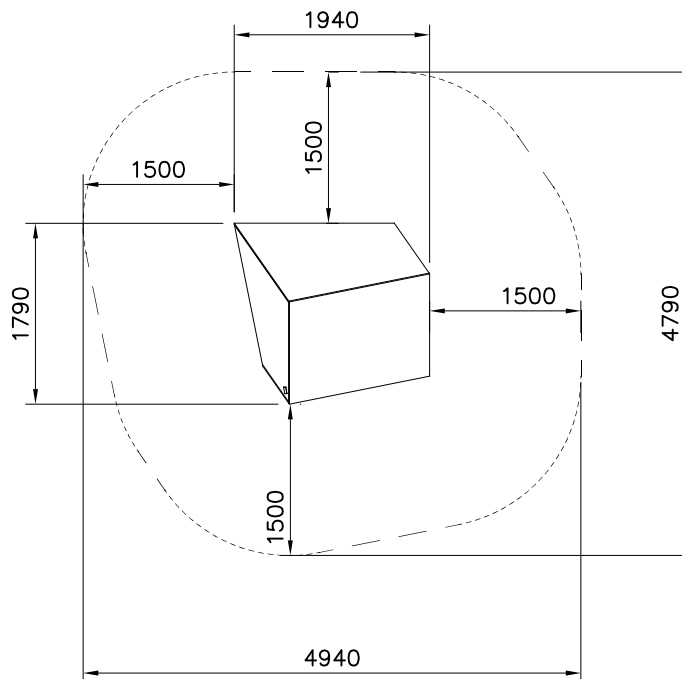
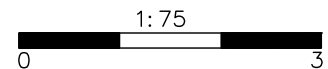
709387+

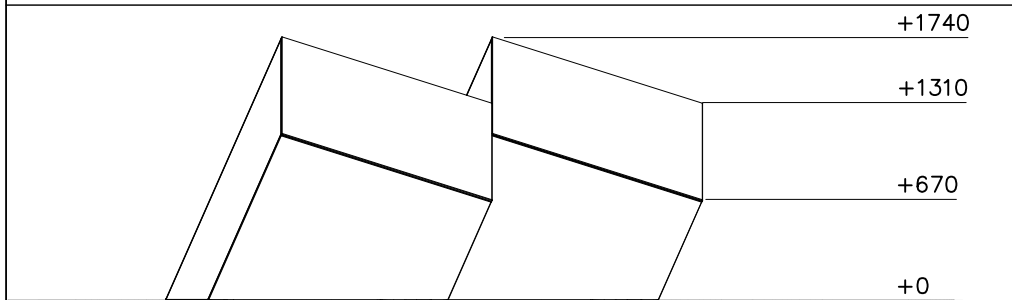
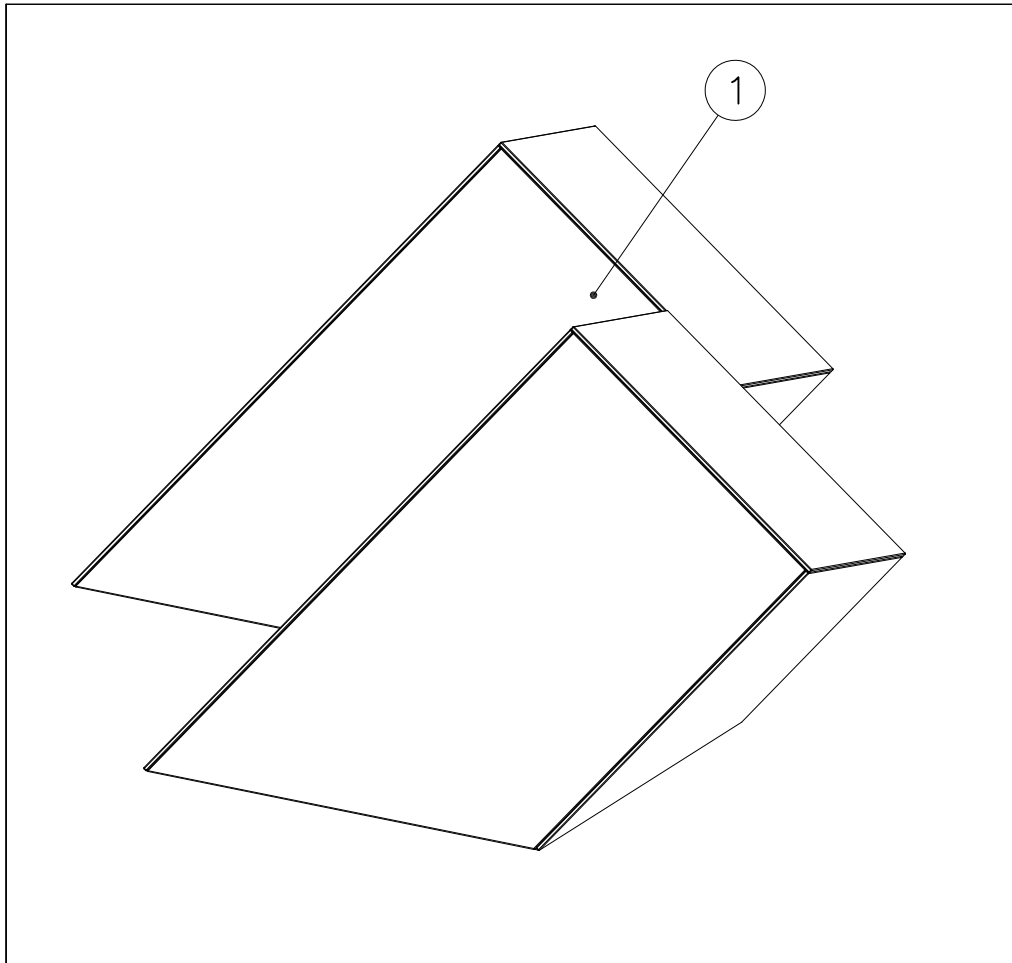
○	709386	PCS	○	910567	PCS
	SURFACE	1		CONCRETE	4
					
	M16x170			117x117x715	

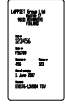
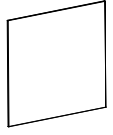
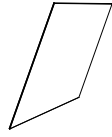
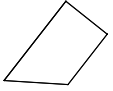
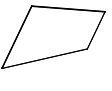
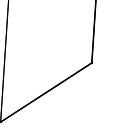


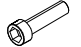


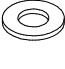

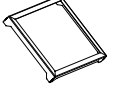


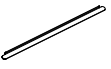
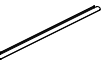



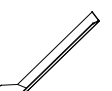



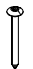


----- Falling Space 19.7 m²
Max Falling Height 1250 mm






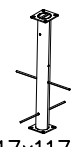
① 702341  90x50	PCS 1	② 709159  15x1200x1486	PCS 2
③ 709160  15x1486x2174	PCS 2	④ 709161  15x1170x2170	PCS 2
⑤ 709162  15x1376x1486	PCS 2	⑥ 709163  15x1170x1620	PCS 2
⑦ 709164  18x80x1135	PCS 4	⑧ 709165  18x80x1420	PCS 4
⑨ 902233  M10x30	PCS 48	⑩ 905112  Ø22	PCS 48
⑪ 909637  M10	PCS 48	⑫ 909638  Ø20/10.5	PCS 96
⑬ 909876  M8x40	PCS 96	⑭ 910744  154x1160x1445	PCS 2

⑮ 910768  30x60x1349	PCS 4	⑯ 910769  30x60x1504	PCS 4	⑰ 910793  L 2158	PCS 2	⑱ 910794  L 1425	PCS 2	⑲ 910795  L 1646	PCS 2	⑳ 910796  L 884	PCS 2
---	----------	---	----------	---	----------	--	----------	---	----------	--	----------

②1	980108	PCS	②2	980128	PCS	②3	980150	PCS	②4	980151	PCS
		8			29			96			96
	Ø4x25			Ø7x40			M8			Ø16/8.4	

FOOT OPTION

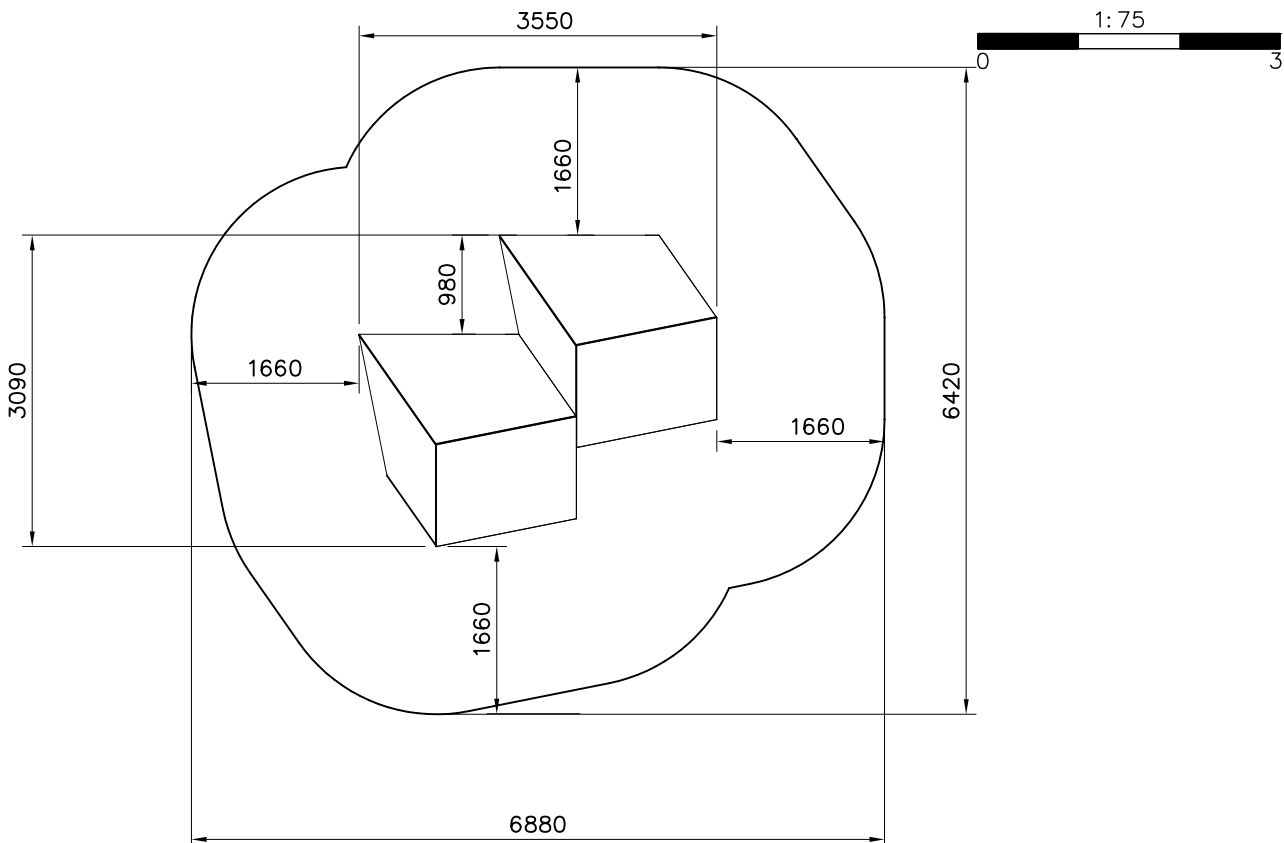
709387+

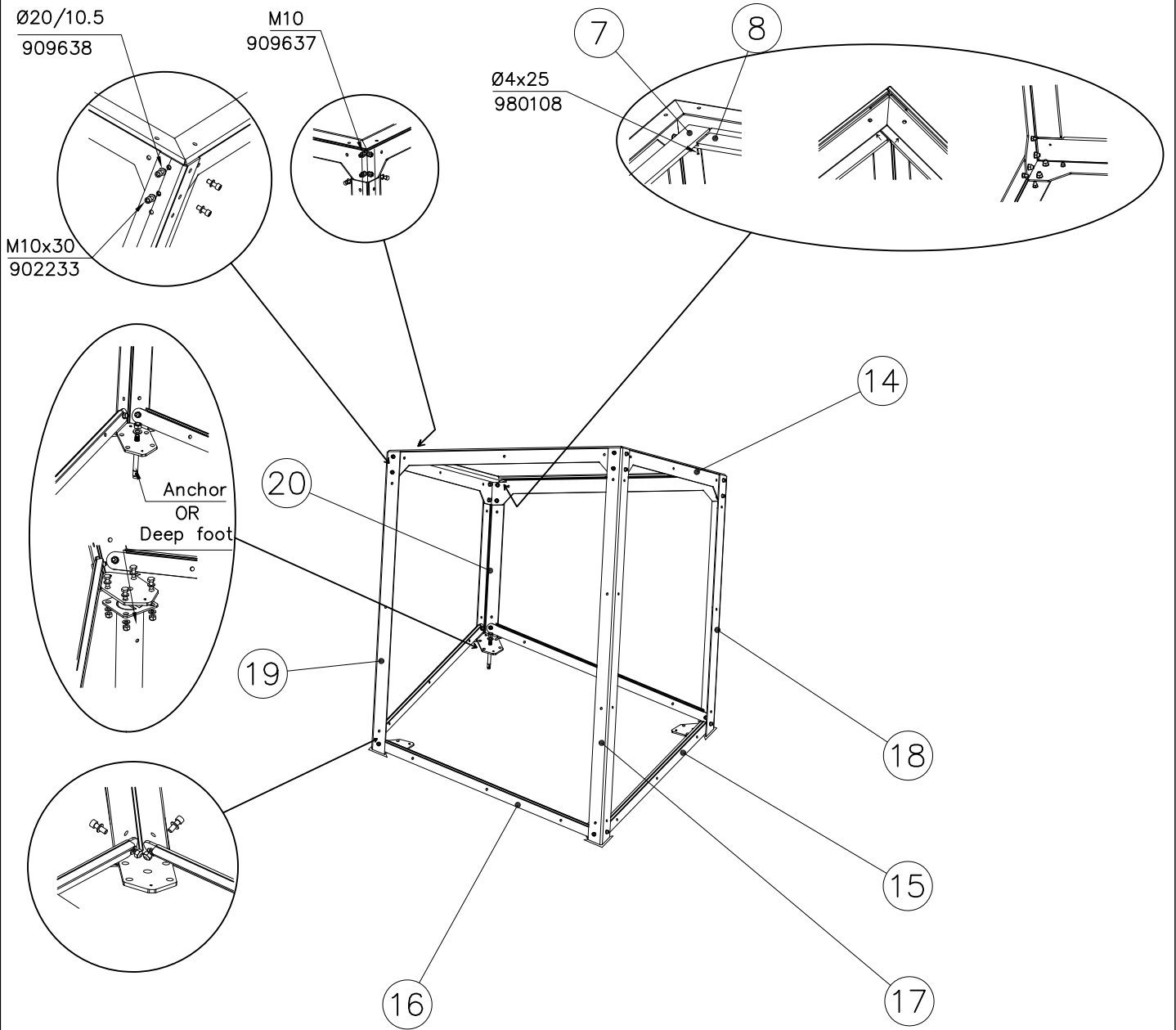
○	709386	PCS	○	910567	PCS
	SURFACE	2		CONCRETE	8
					
	M16x170			117x117x715	

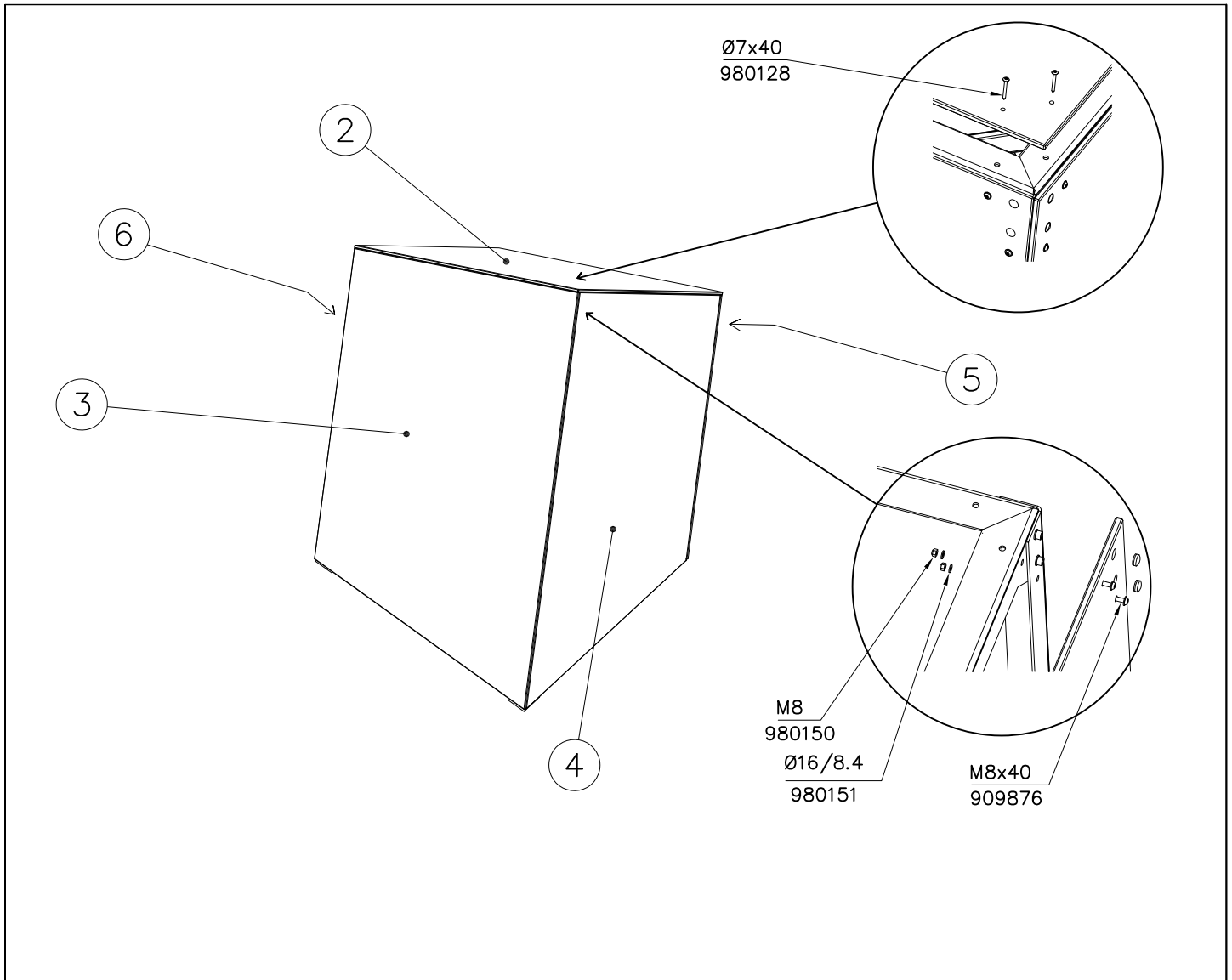
—— EN Impact Attenuating Surface (IAS) 34.5 m²

----- Falling Space 34.5 m²

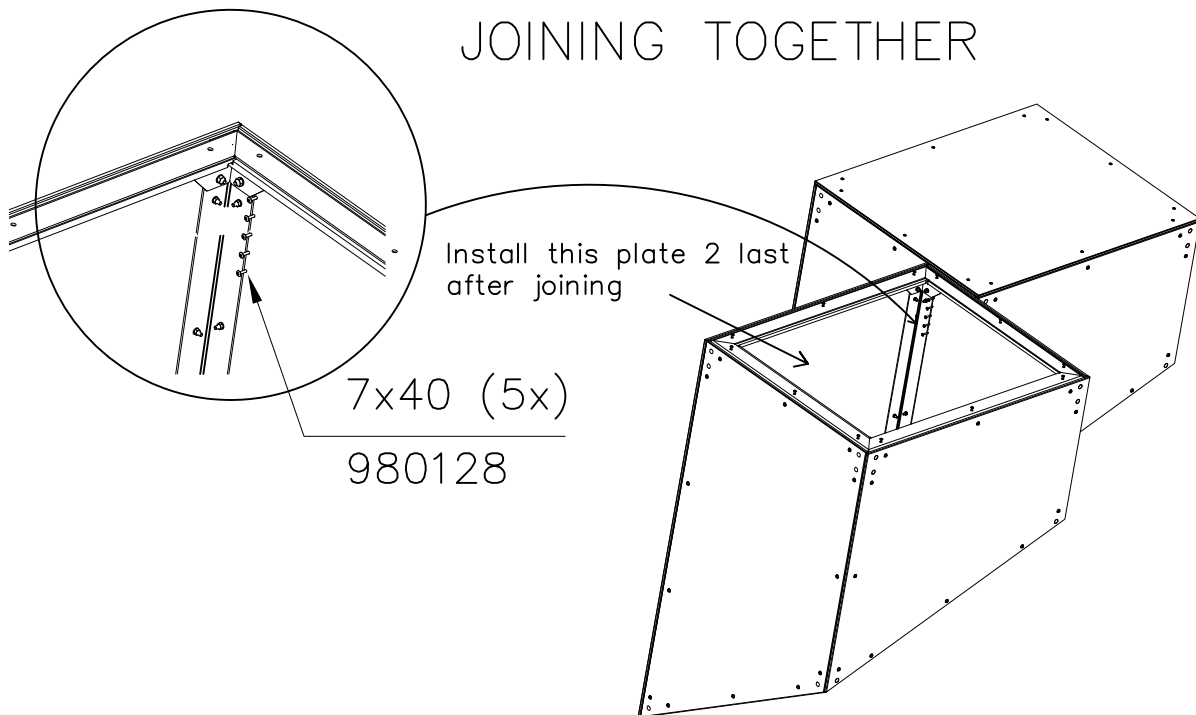
Max Falling Height 1740 mm

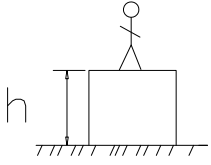






JOINING TOGETHER





$h < 1600$

Totally hard surfaces or materials with very limited impact attenuating properties.

Case by case risk assessment is needed including e.g. evaluation whether there is forced movement, what is the intended exercise and where will the product be installed.

Materials with significant impact attenuating properties.

Totally hard surfaces.
E.g. concrete or asphalt



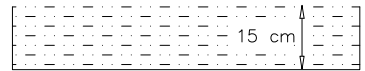
Materials with very limited impact attenuating properties.
E.g. wood



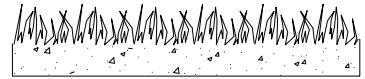
fine gravel 0–8 mm



Unsorted sand/ topsoil



Lawn

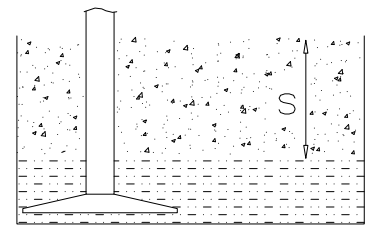


$h = 1600-$

$h < 3000$

Loose fill material

E.g.
sand/gravel 0,25...8 mm $D_{60}/D_{10} < 3,0$
Woodchips 5...30 mm
bark 20...80 mm



$\frac{S}{30 \text{ cm}}$ $\frac{h}{< 3,0 \text{ m}}$

Synthetic granulates

$\frac{S}{\text{mm}}$	$\frac{h}{\text{m}}$
40 mm	$\sim > 1,6... \sim < 1,8 \text{ m}$
50 mm	$\sim > 1,8... \sim < 2,25 \text{ m}$
55 mm	$\sim > 2,25... \sim < 2,4 \text{ m}$
60 mm	$\sim > 2,4... \sim < 2,55 \text{ m}$
70 mm	$\sim > 2,55... \sim < 3,0 \text{ m}$

Note. For accurate values, see manufacturer's instructions.

