

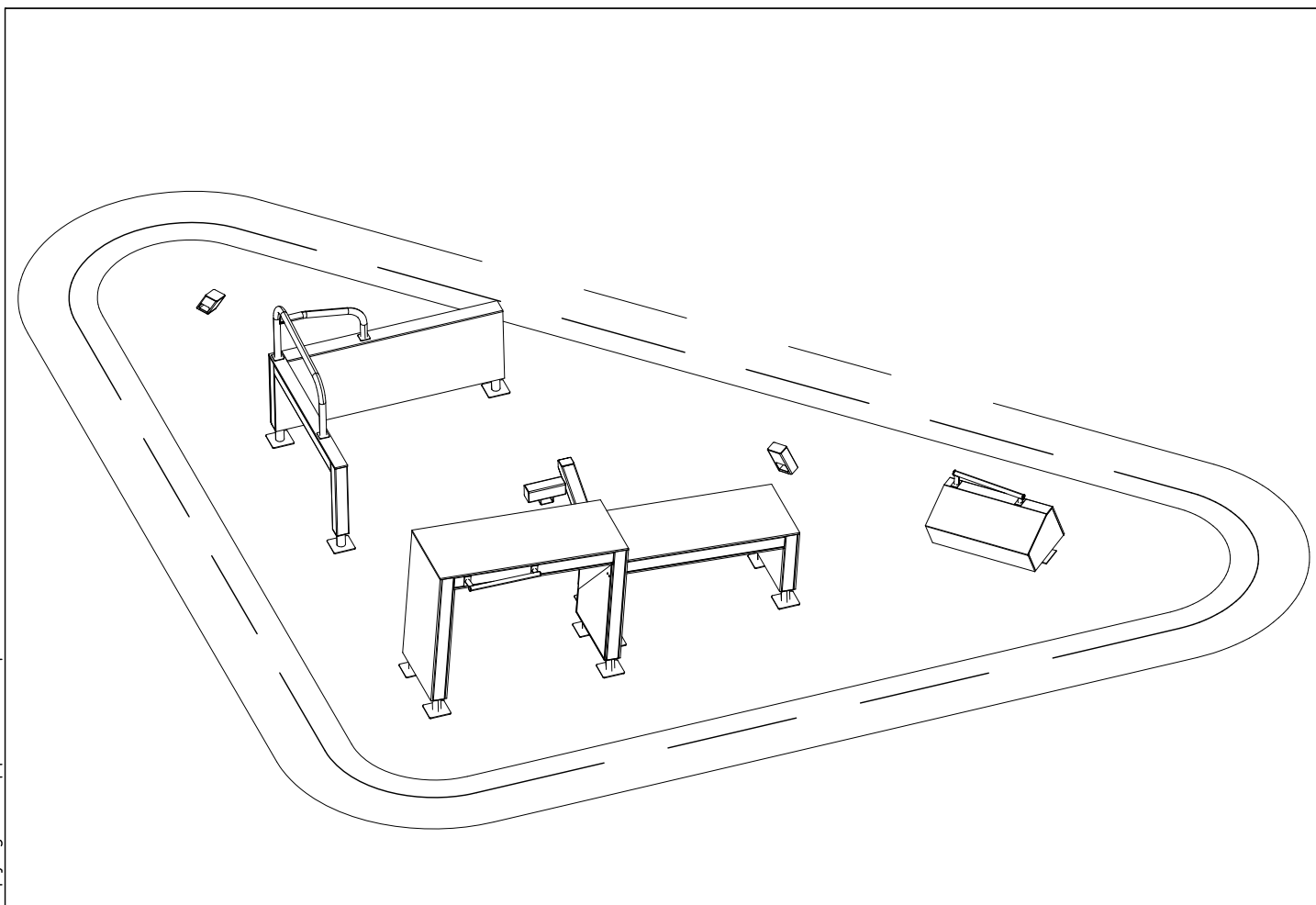
# **LAPPSET®**

## **DASH PARKOUR**

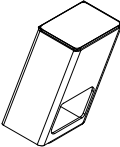
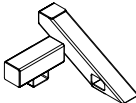
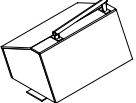
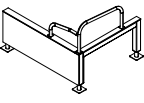
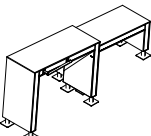





ASENNUSOHJE  
MONTERINGSANSVISNING  
INSTALLATION INSTRUCTION  
AUFBAUANLEITUNG  
NOTICE D'INSTALLATION

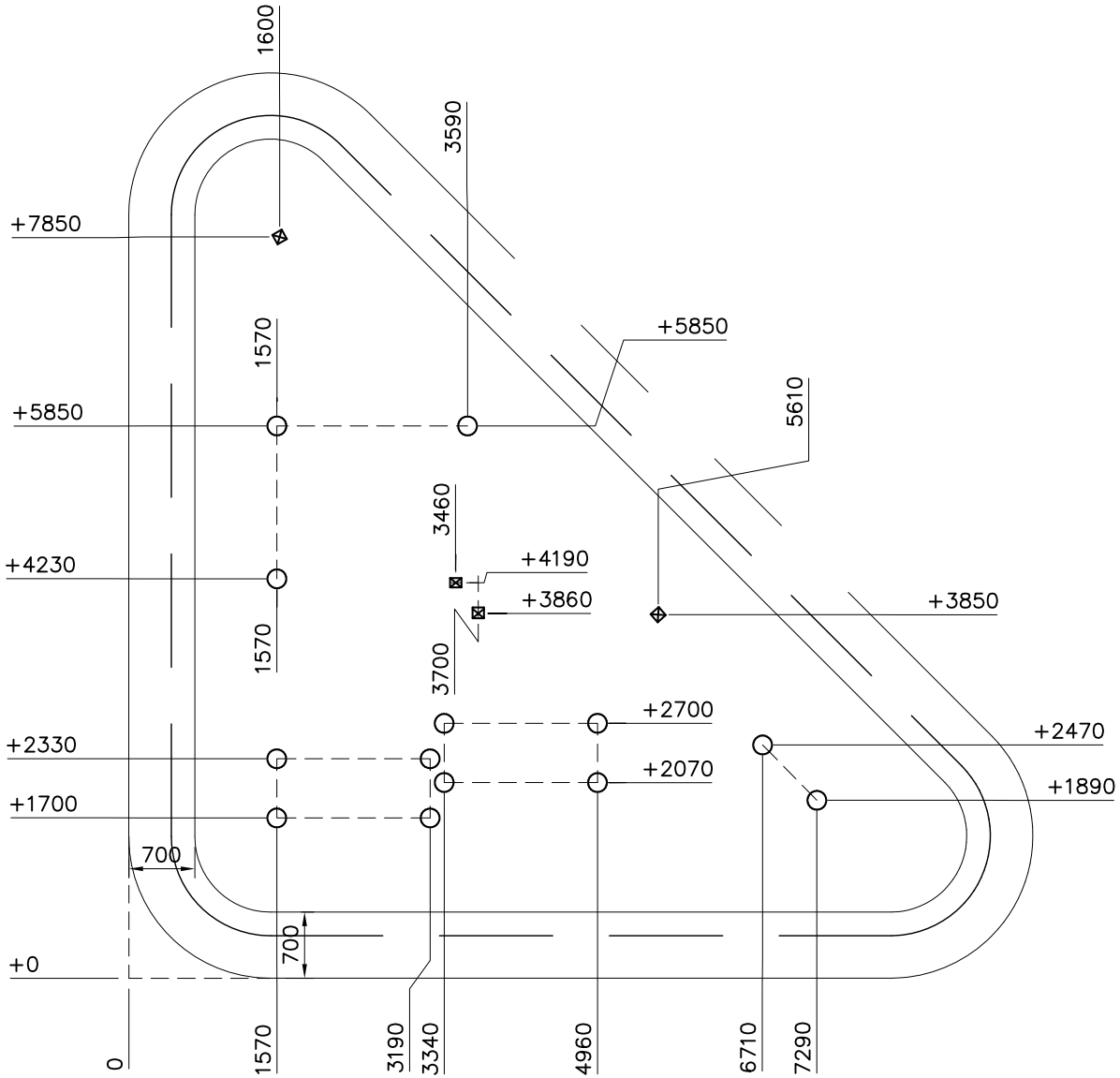
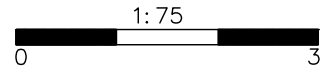
DATE: 13.12.2019

### **081764M**

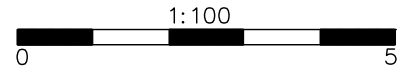


DATE: 13.12.2019

081700M	PCS	081701M	PCS	081702M	PCS	081727M	PCS	081736M	PCS		PCS
	2		1		1		1		1		
											
	PCS		PCS		PCS		PCS		PCS		PCS
	PCS		PCS		PCS		PCS		PCS		PCS
	PCS		PCS		PCS		PCS		PCS		PCS
	PCS		PCS		PCS		PCS		PCS		PCS



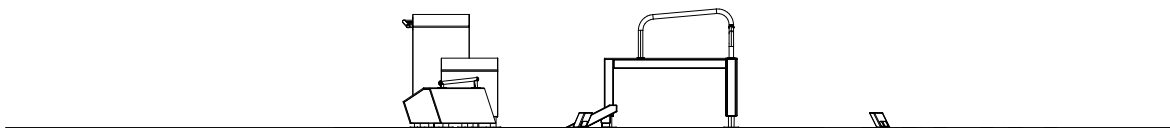
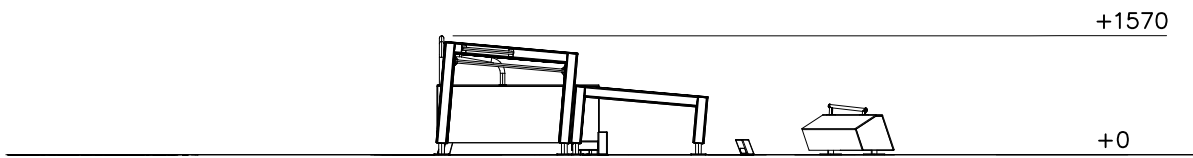
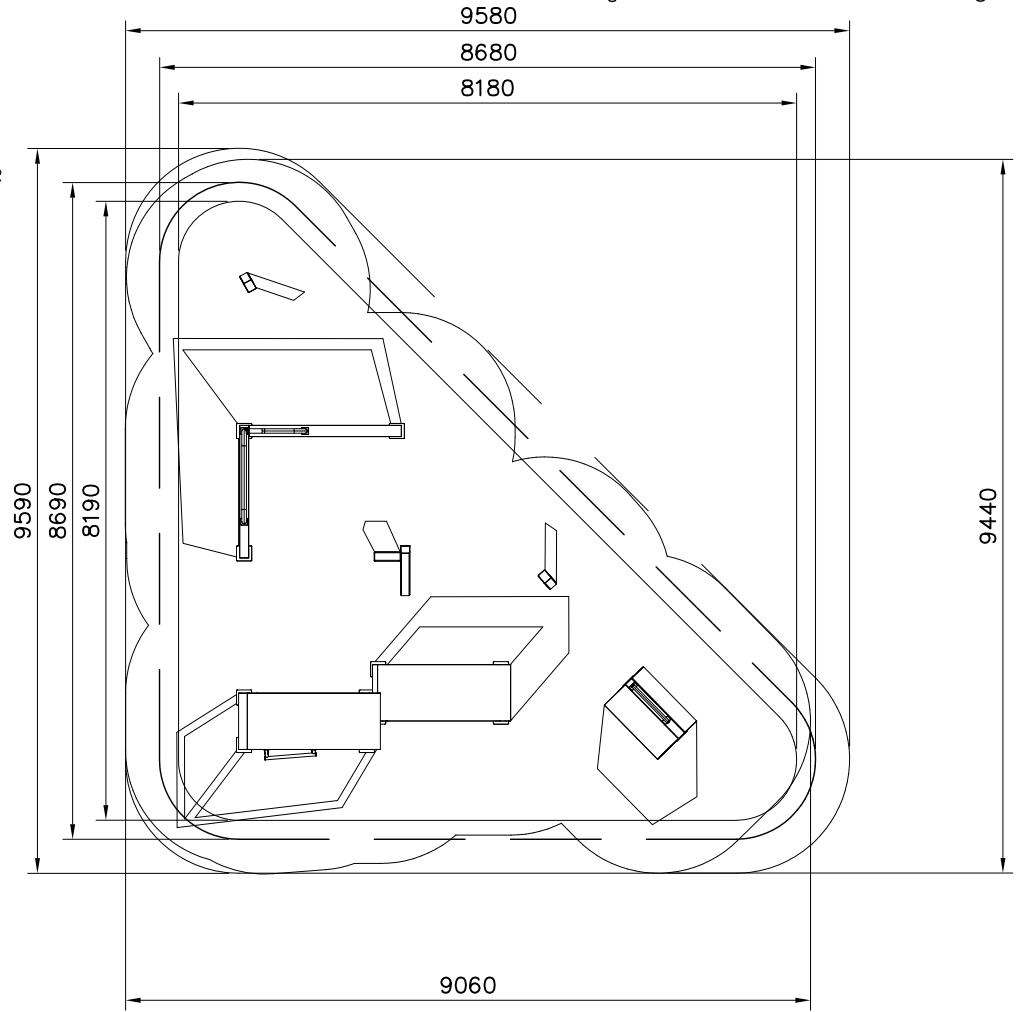
— Falling Space 56.7 m<sup>2</sup>  
 Max Falling Height 1570 mm



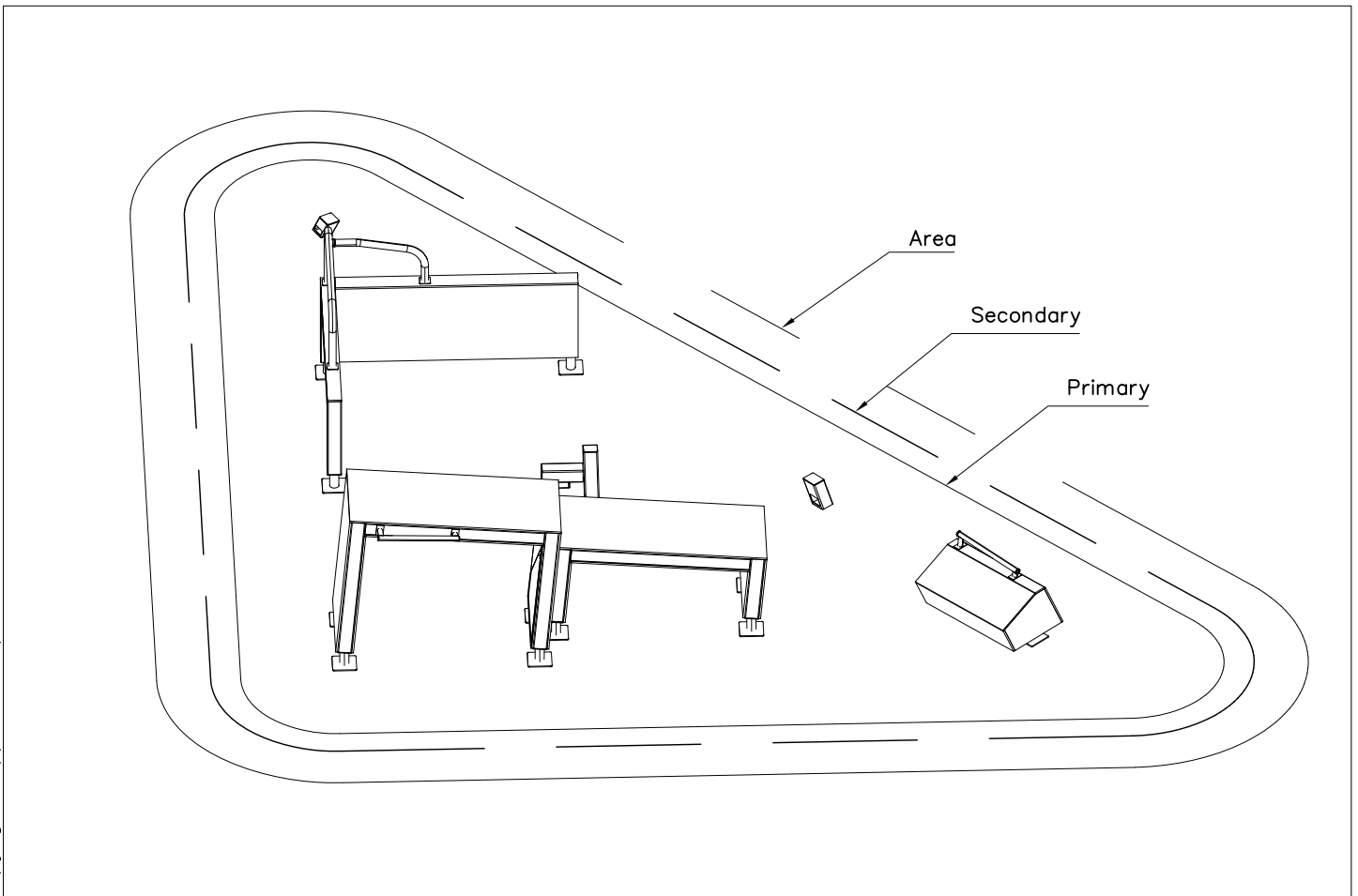
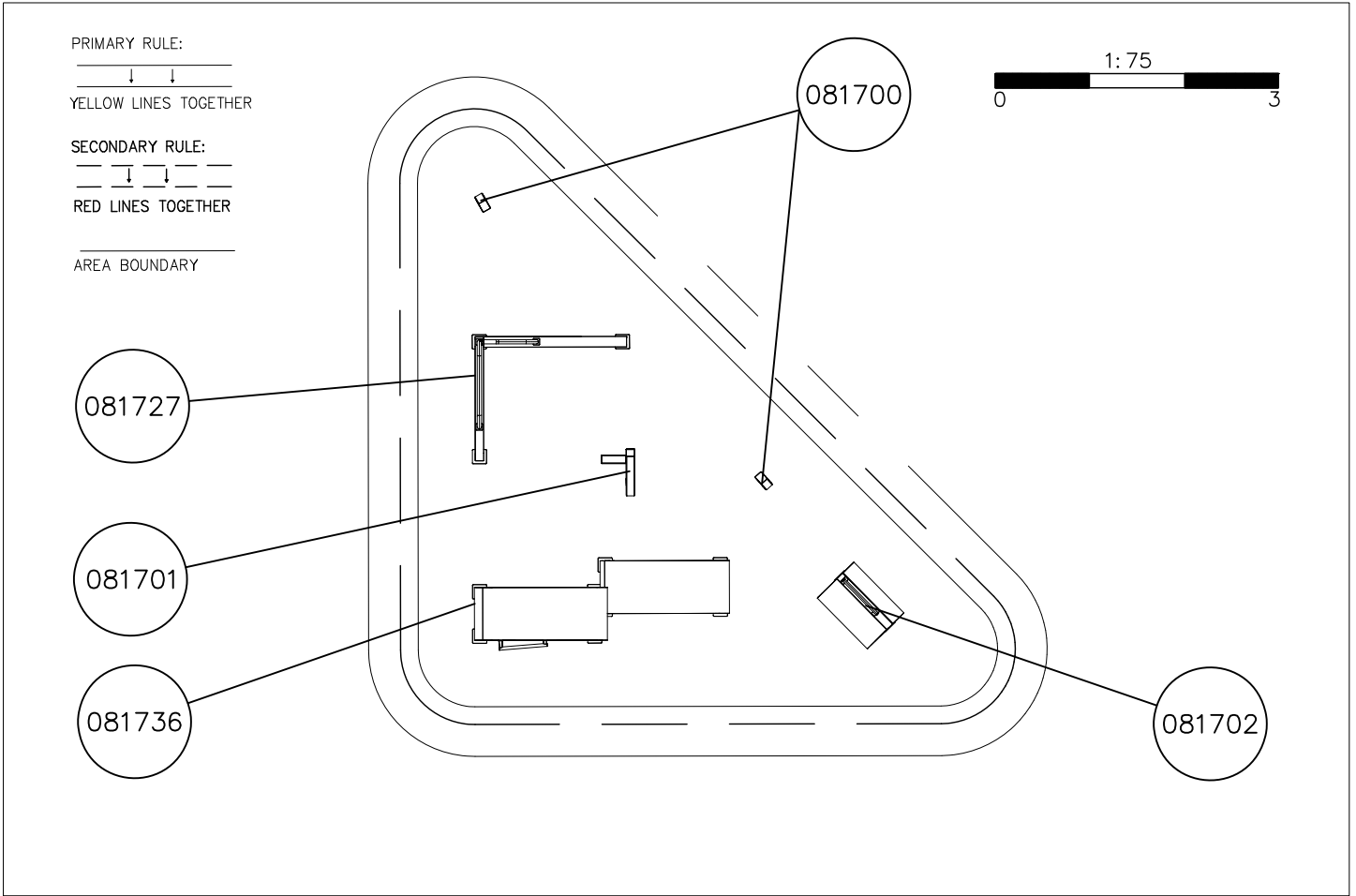
PRIMARY RULE:  
  
 YELLOW LINES TOGETHER

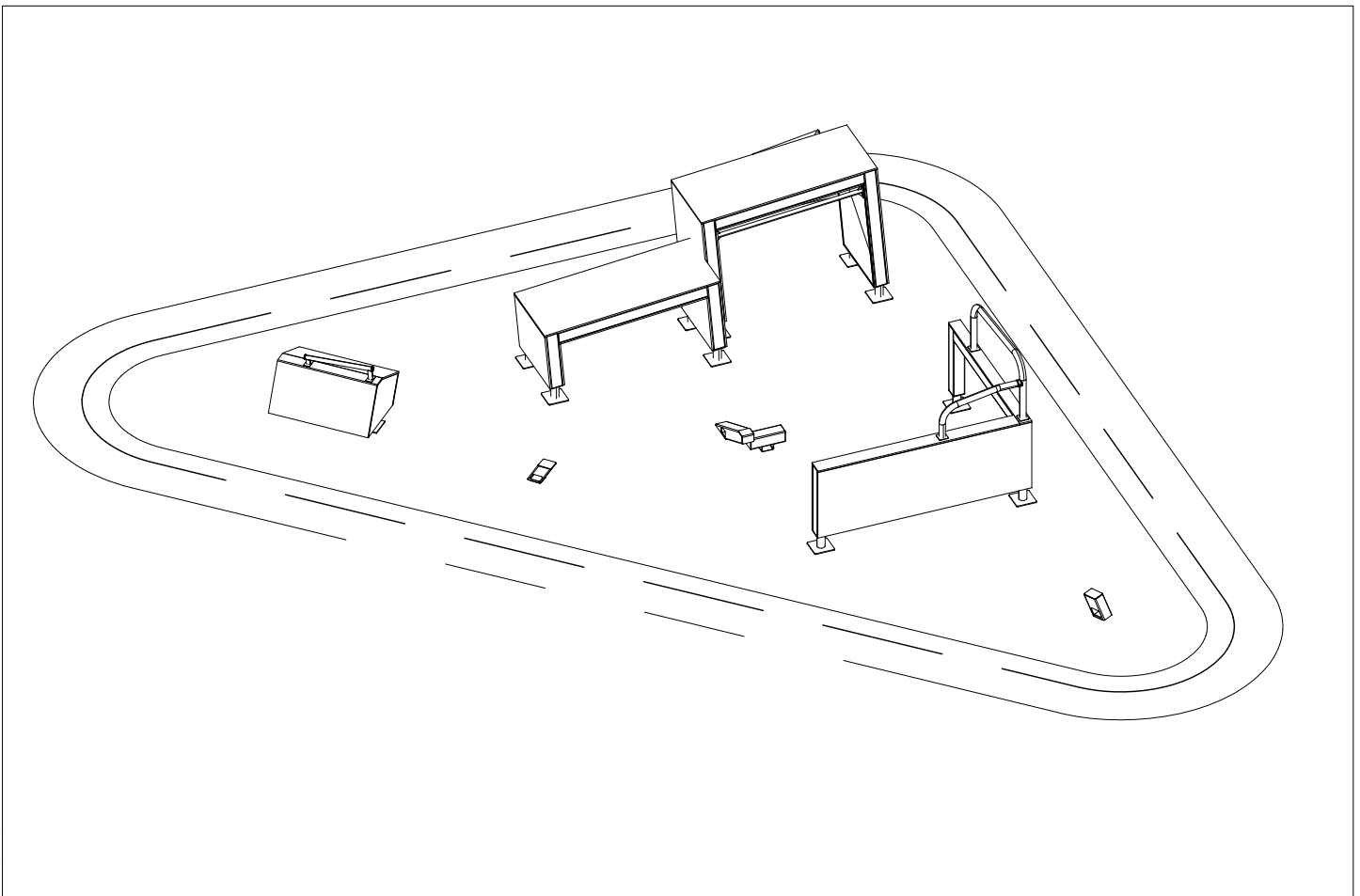
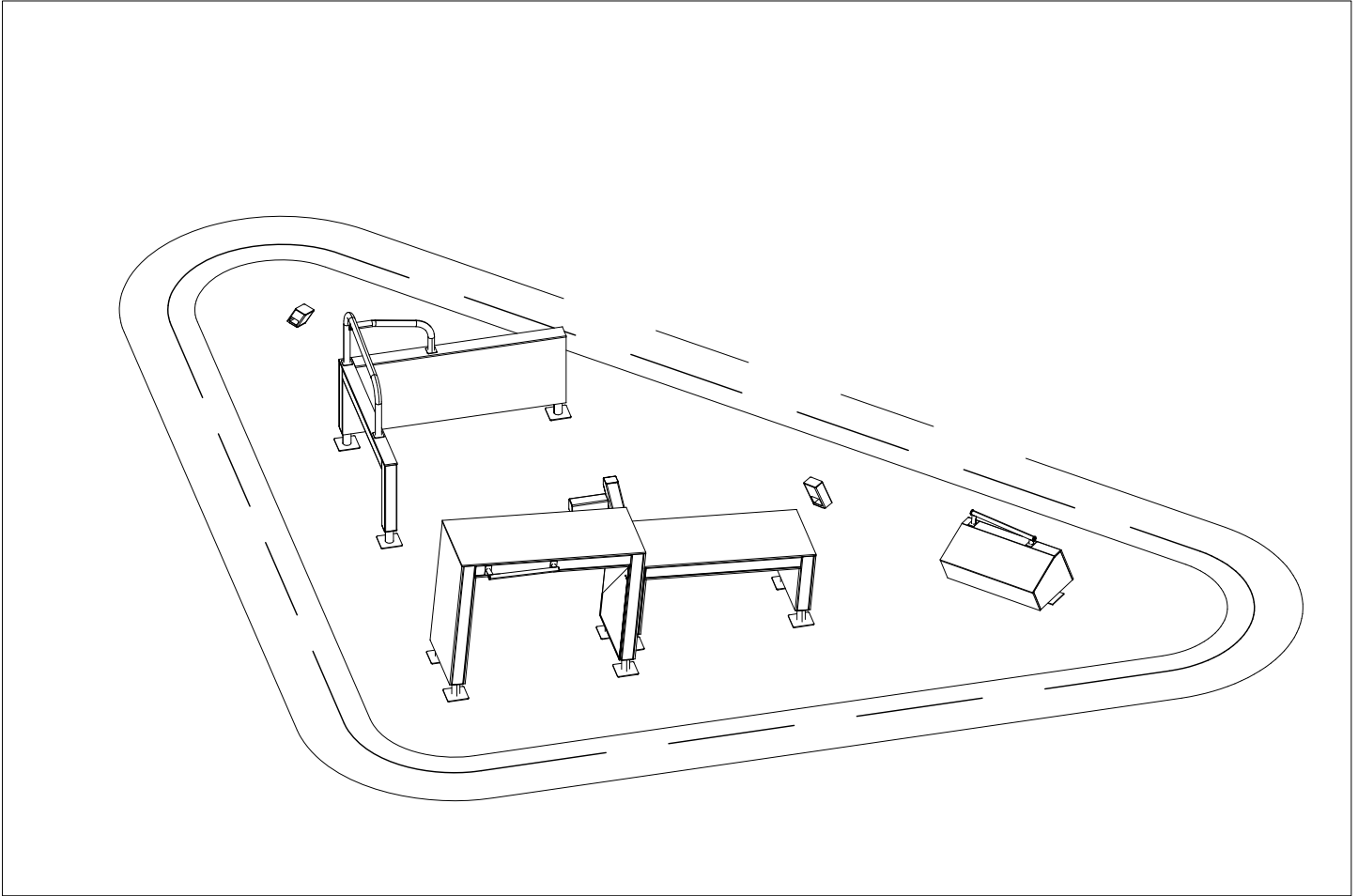
SECONDARY RULE:  
  
 RED LINES TOGETHER

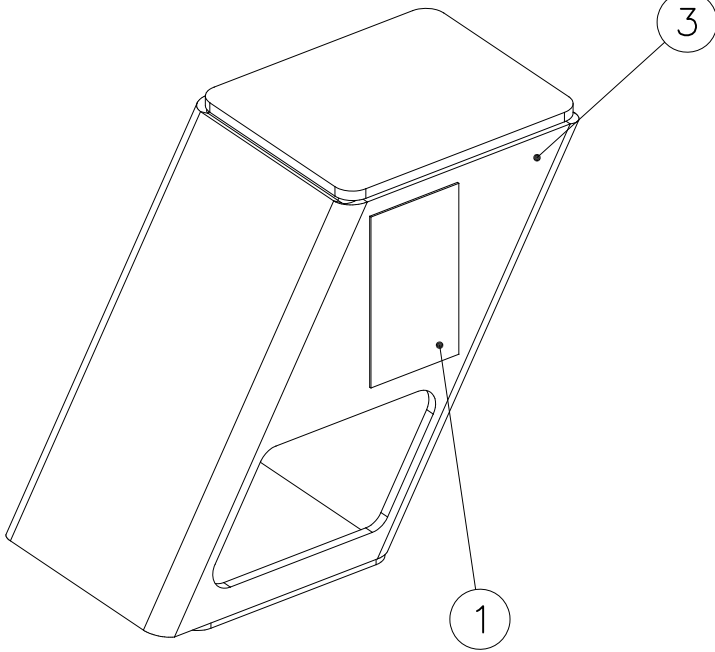
AREA BOUNDARY

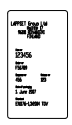
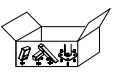
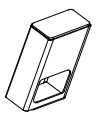




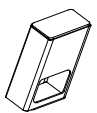




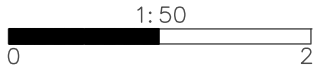
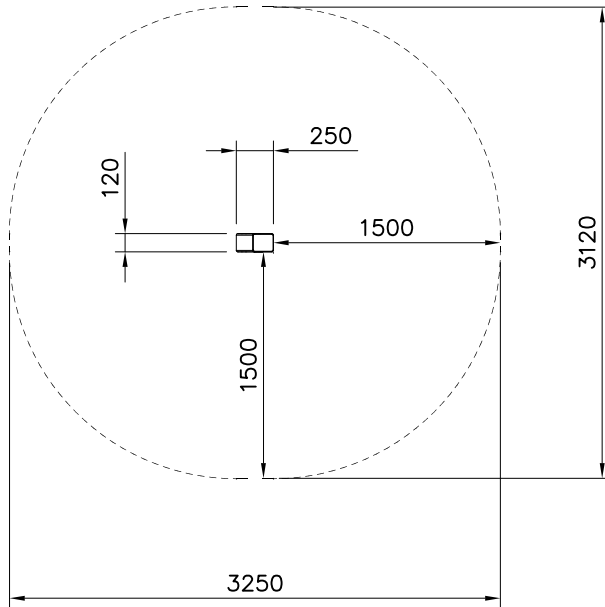
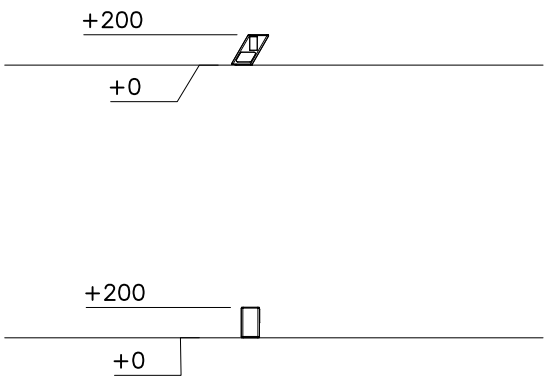


① 702341	PCS	② 709381	PCS
	1		2
90x50		SURFACE	
		③ 910219	PCS
			1
		120x120x200	

FOOT OPTION FOR DEEP MOUNTING

709379+			
○ 902564	PCS		
	1		
L 550			

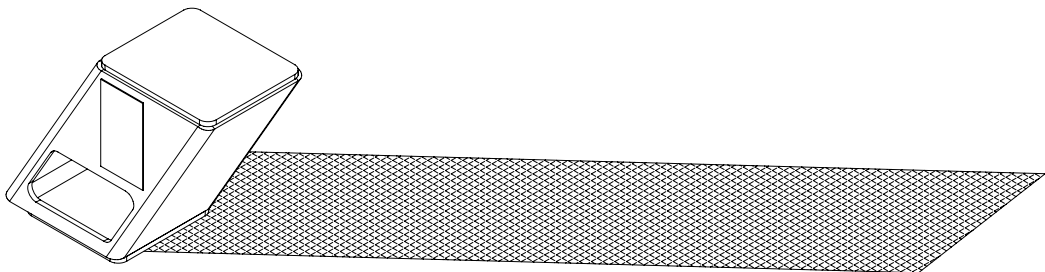
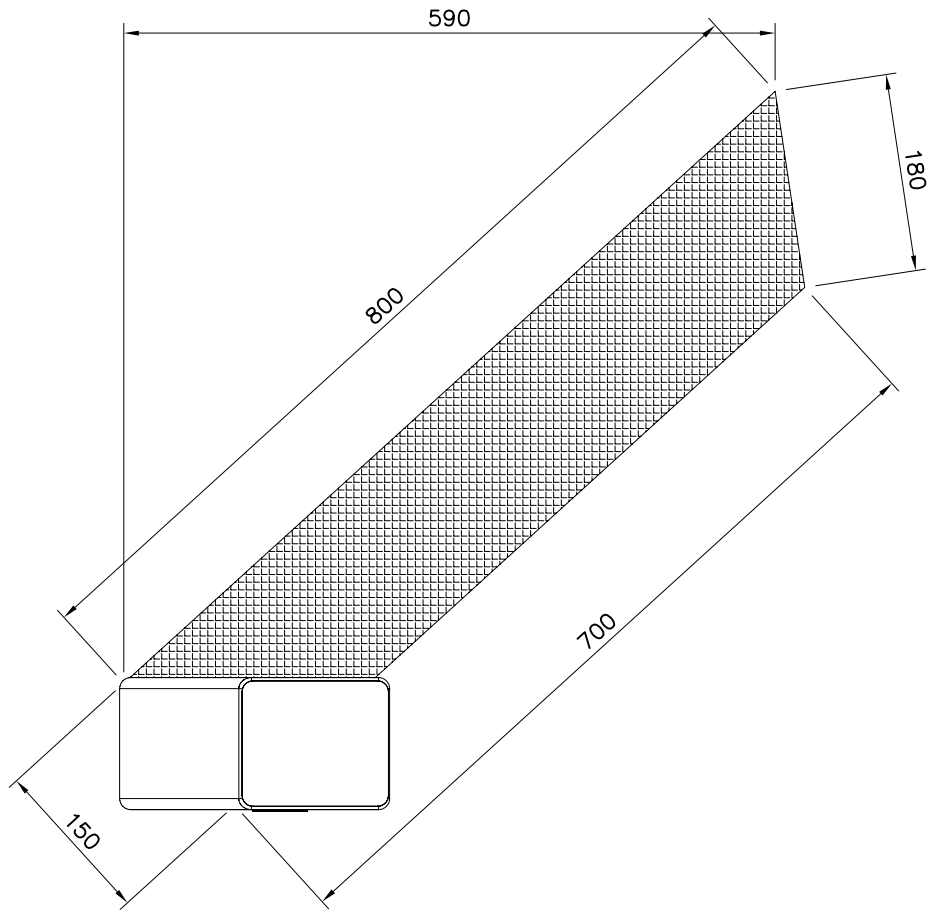
----- Falling Space 8.2 m2  
Max Falling Height 200 mm

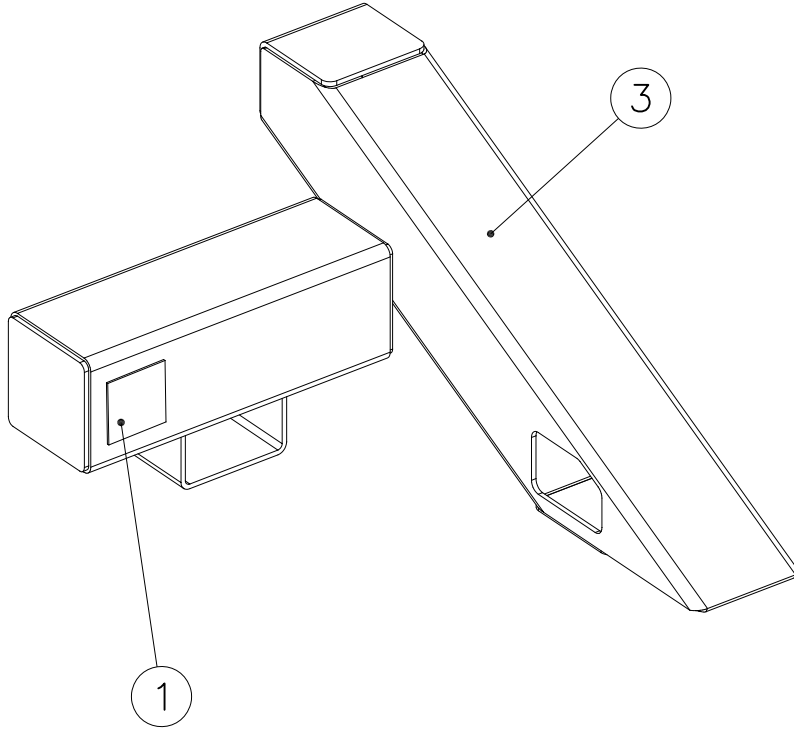




Copyright Lappset Group Ltd



Shadow lines



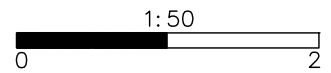


① 702341	PCS	② 709381	PCS
	1		2
90x50		SURFACE	

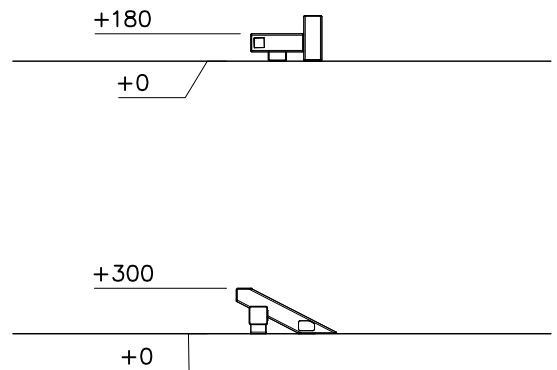
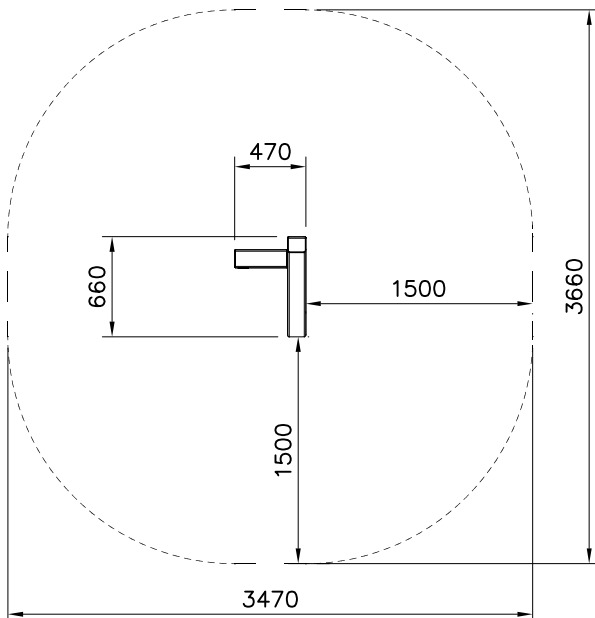
③ 910220	PCS
	1
300x470x662	

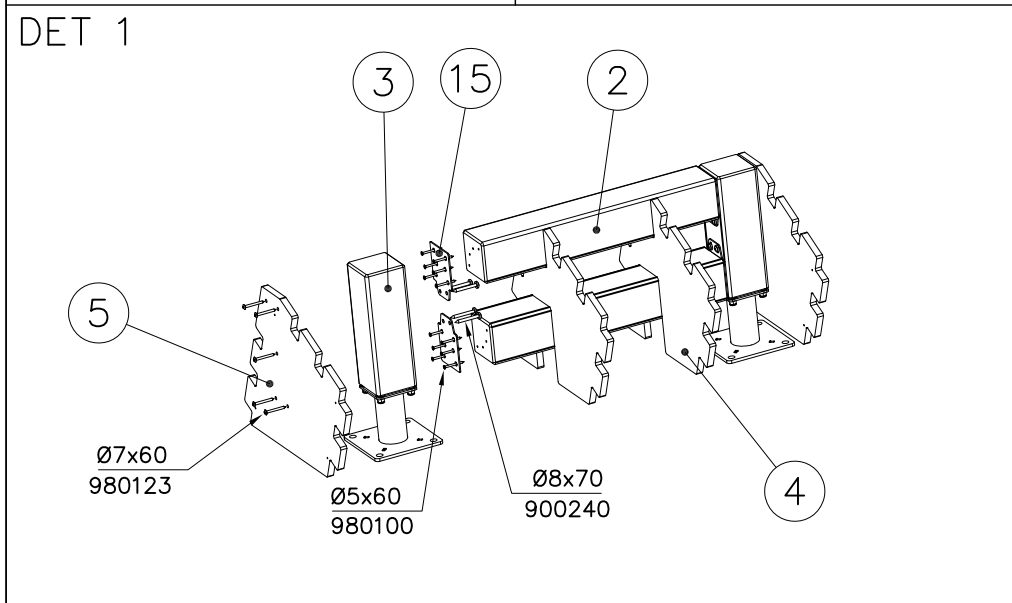
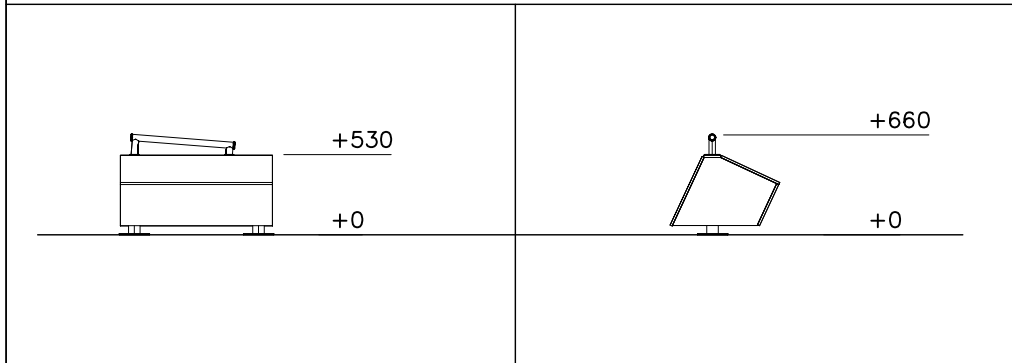
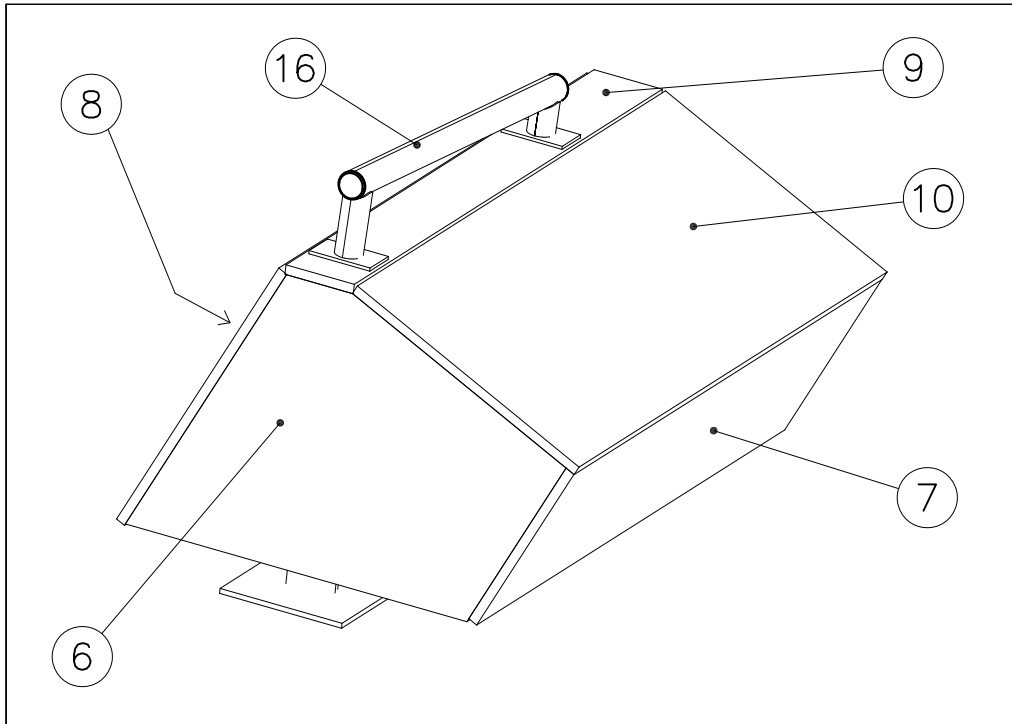
FOOT OPTION FOR DEEP MOUNTING

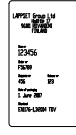


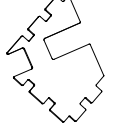
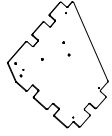
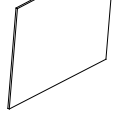
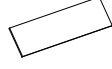

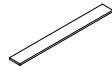
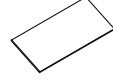



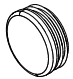
709379+	
○ 902564	PCS
	2
L 550	

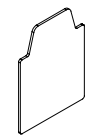
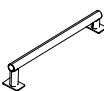






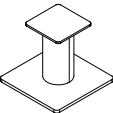

----- Falling Space 10.8 m<sup>2</sup>  
 Max Falling Height 300 mm

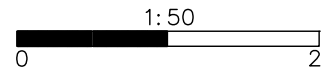
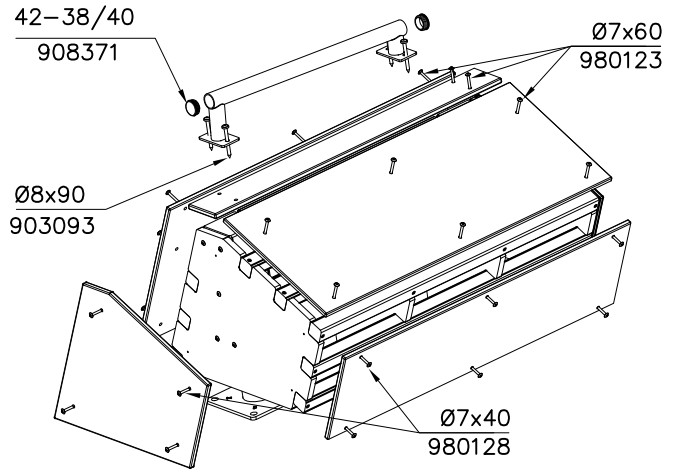
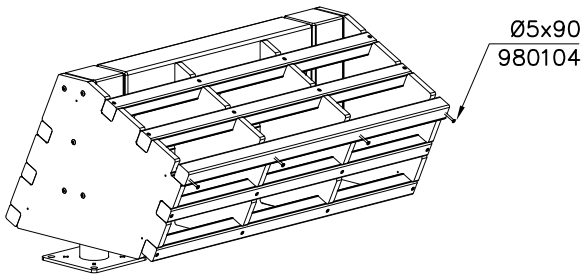
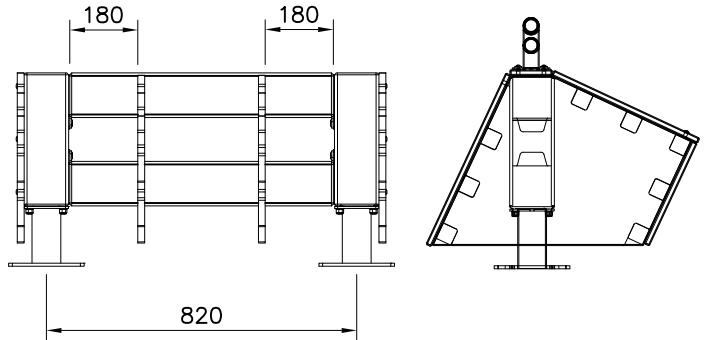




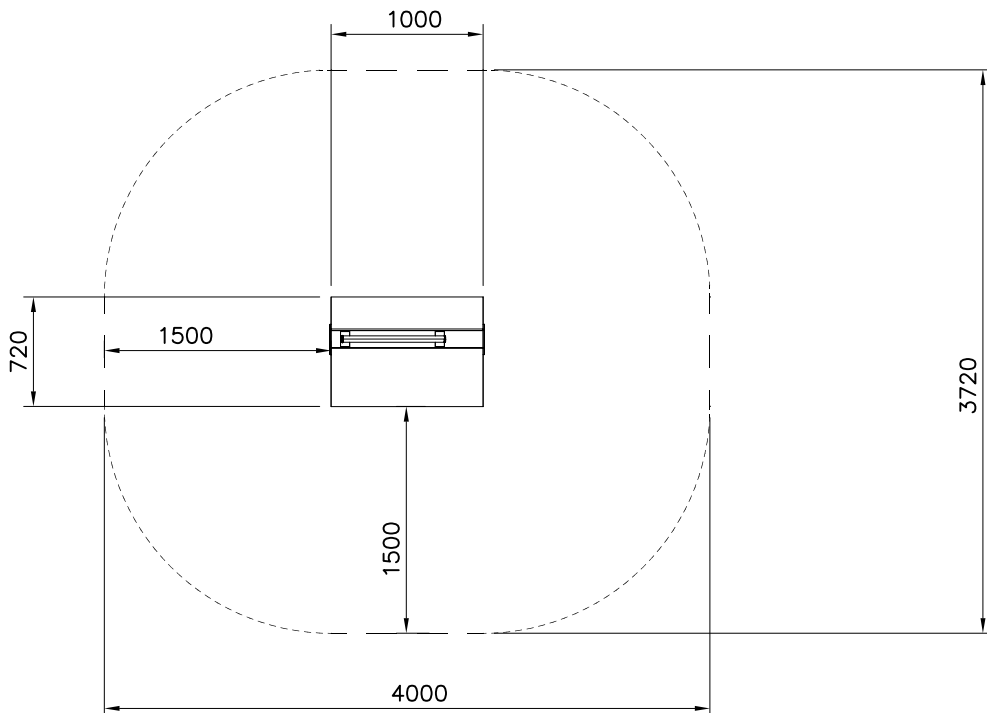
① 702341  90x50	PCS 1	② 708109  118x118x697	PCS 2
③ 708443  118x118x352	PCS 2	④ 708848  18x450x690	PCS 2
⑤ 708849  18x450x690	PCS 2	⑥ 708850  15x450x690	PCS 2
⑦ 708851  15x300x1005	PCS 1	⑧ 708852  15x500x1005	PCS 1
⑨ 708853  15x112x1005	PCS 1	⑩ 708854  15x425x1005	PCS 1
⑪ 708855  45x45x975	PCS 8	⑫ 900240  Ø8x70	PCS 8
⑬ 903093  Ø8x90	PCS 4	⑭ 908371  42-38/40	PCS 2

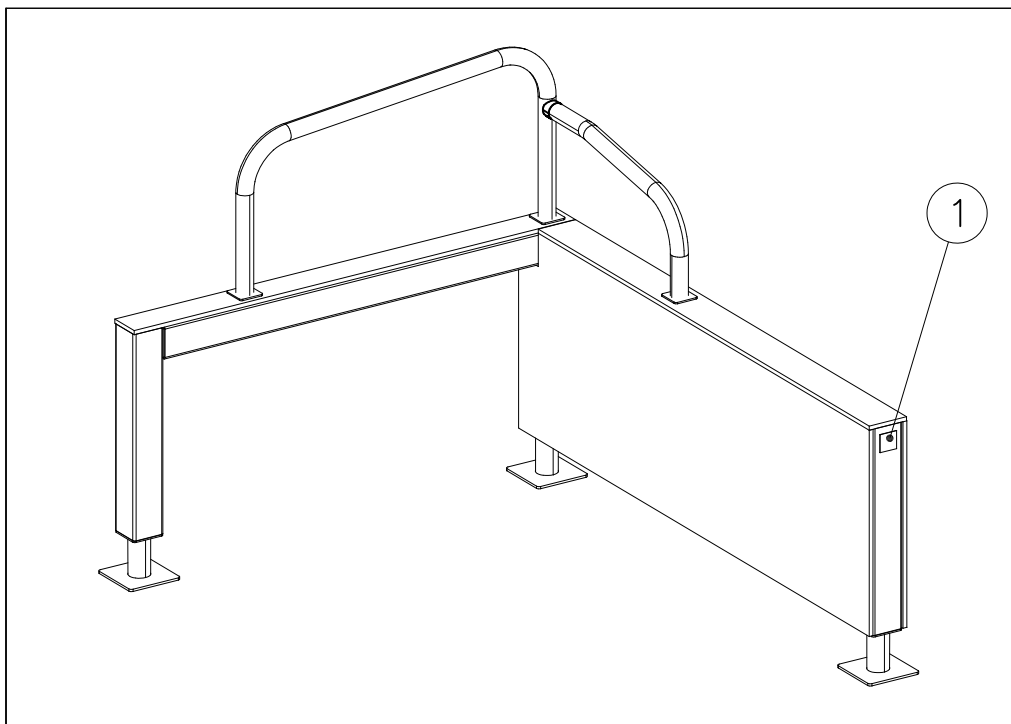
⑮ 908698  3x114x108	PCS 4	⑯ 910056  140x690	PCS 1	⑰ 980100  Ø5x60	PCS 24	⑱ 980104  Ø5x90	PCS 32	⑲ 980123  Ø7x60	PCS 27	⑳ 980128  Ø7x40	PCS 14
--	----------	--	----------	--	-----------	--	-----------	--	-----------	--	-----------



709261+		709262+	
○ 910330	PCS	○ 910567	PCS
SURFACE	2	CONCRETE	2
			
152x200x200		117x117x715	

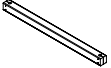



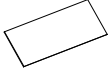

----- Falling Space 13 m<sup>2</sup>  
Max Falling Height 660 mm

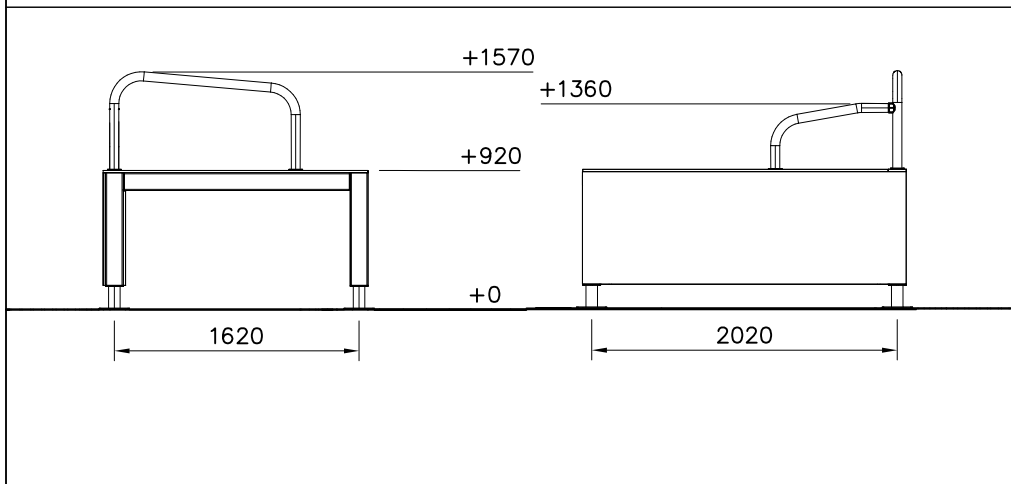


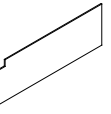



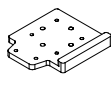

① 702286	PCS	② 707213	PCS
	1		1
65x65		118x118x1490	

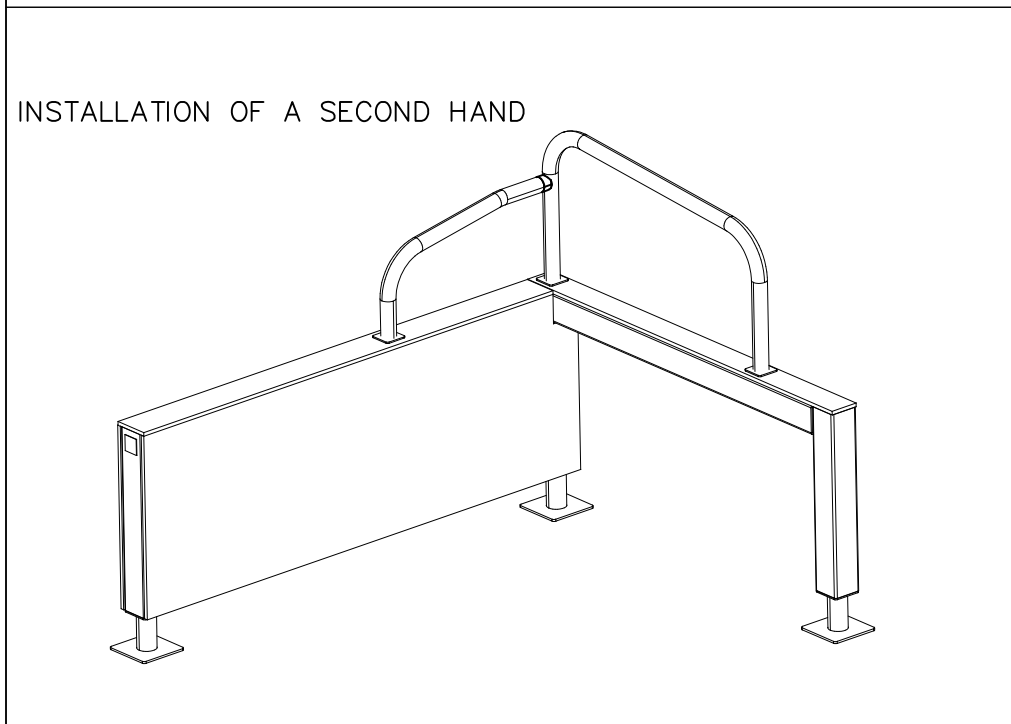
③ 707517	PCS	④ 708137	PCS
	2		3
118x118x1892		118x118x745	



⑤ 708715	PCS	⑥ 708840	PCS
	1		1
15x745x2140		15x148x2018	





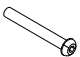

⑦ 708845	PCS	⑧ 708846	PCS
	1		1
15x745x2138		15x118x1751	


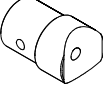



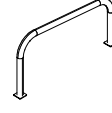
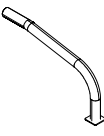
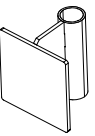


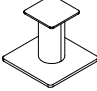

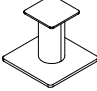

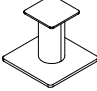

⑨ 708857	PCS	⑩ 980154	PCS
	1		1
20x133x149		Ø24/13	



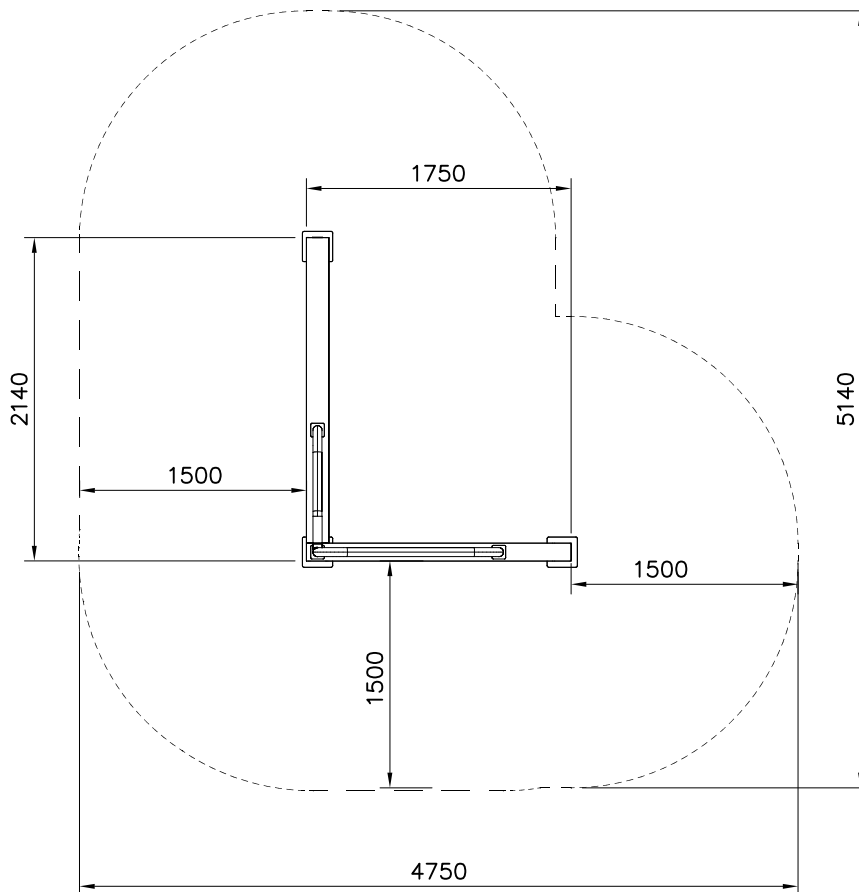
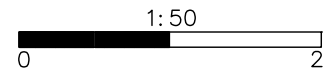
⑪ 900240	PCS	⑫ 900965	PCS
	24		1
Ø8x70		M10	

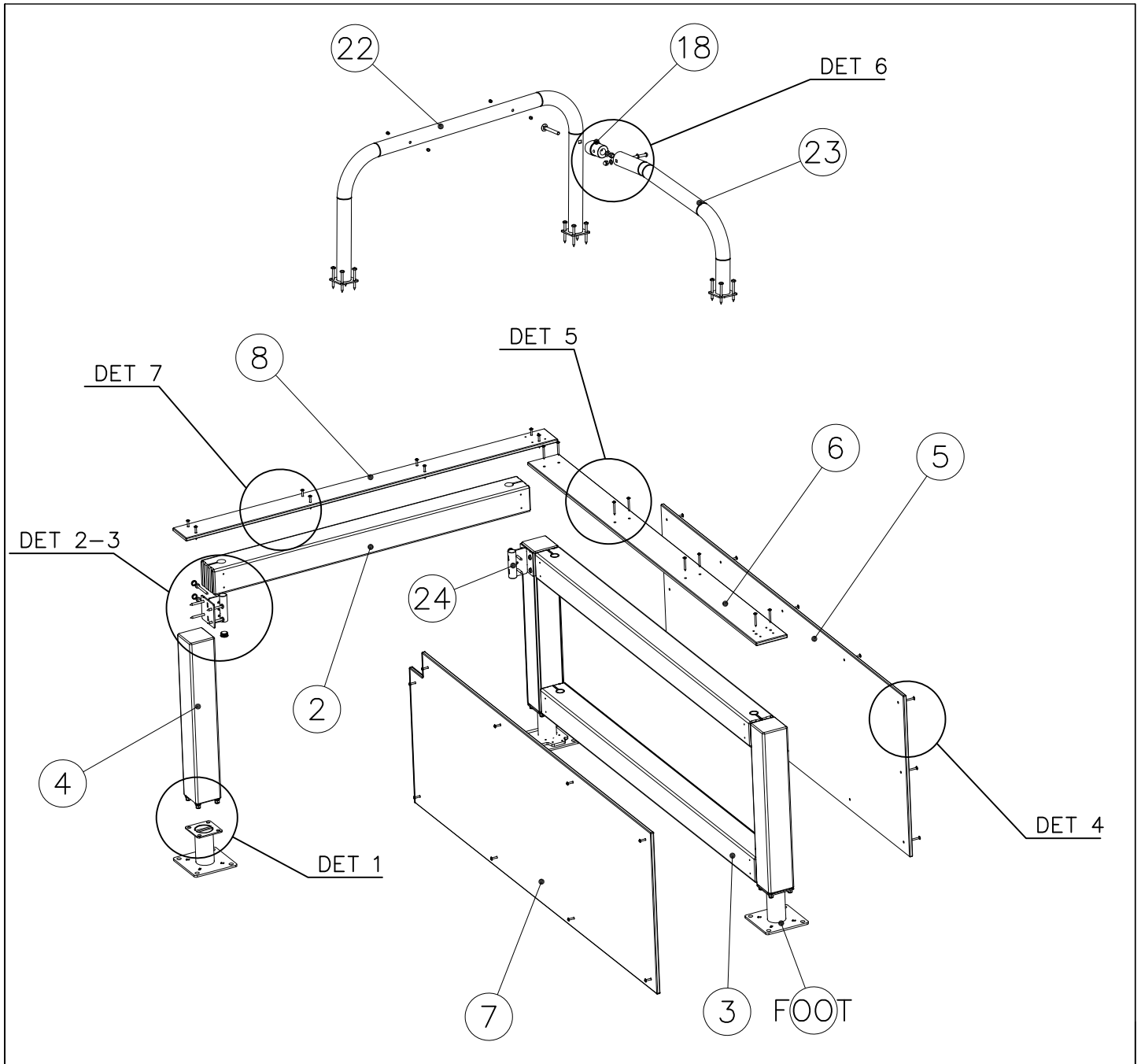
⑬ 903093	PCS	⑭ 903533	PCS
	24		4
Ø8x90		SRL12	

⑮ 904133	PCS	⑯ 905103	PCS
	1		6
M10x80		PT-28/32-H	

<p>⑰ 905112 PCS 12</p>  <p>Ø22</p>	<p>⑱ 908069 PCS 1</p>  <p>Ø60x87.6</p>	<p>⑲ 909111 PCS 1</p>  <p>M12x100</p>	<p>⑳ 909248 PCS 1</p>  <p>M12</p>	<p>㉑ 909638 PCS 4</p>  <p>Ø20/10.5</p>	<p>㉒ 910254 PCS 1</p>  <p>Ø60x650x1290</p>				
<p>㉓ 910262 PCS 1</p>  <p>Ø60x435x795</p>	<p>㉔ 910266 PCS 6</p>  <p>90x108x118</p>	<p>㉕ 980123 PCS 37</p>  <p>Ø7x60</p>	<p>㉖ 980114 PCS 4</p>  <p>Ø4x20</p>	<p>FOOT OPTIONS 709261+ 709262+</p> <table border="1"> <tr> <td> <p>○ 910330 SURFACE</p>  <p>152x200x200</p> </td> <td> <p>PCS 3</p> </td> <td> <p>○ 910567 CONCRETE</p>  <p>117x117x715</p> </td> <td> <p>PCS 3</p> </td> </tr> </table>		<p>○ 910330 SURFACE</p>  <p>152x200x200</p>	<p>PCS 3</p>	<p>○ 910567 CONCRETE</p>  <p>117x117x715</p>	<p>PCS 3</p>
<p>○ 910330 SURFACE</p>  <p>152x200x200</p>	<p>PCS 3</p>	<p>○ 910567 CONCRETE</p>  <p>117x117x715</p>	<p>PCS 3</p>						

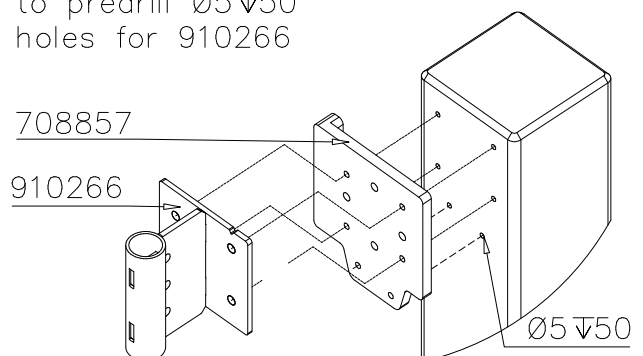
----- Falling Space 18.8 m<sup>2</sup>  
Max Falling Height 920 mm



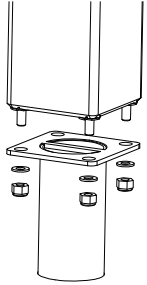


JIG DET A (USE DET 2)

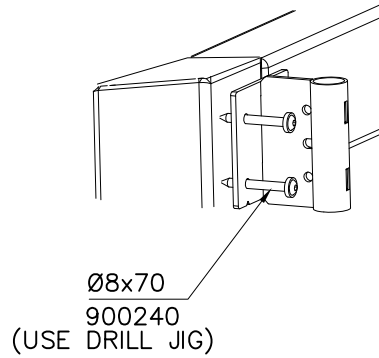
NOTE:  
Use drill jig 708857  
to predrill  $\text{Ø}5 \nabla 50$   
holes for 910266



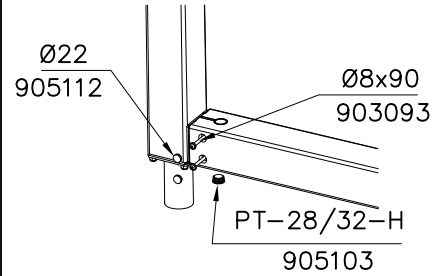
DET 1



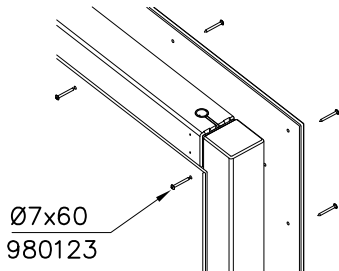
DET 2



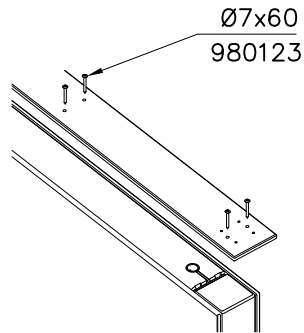
DET 3



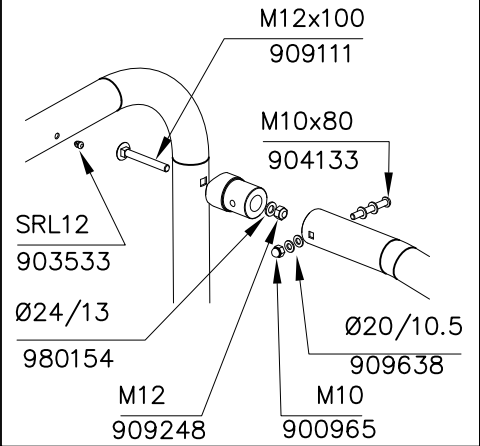
DET 4



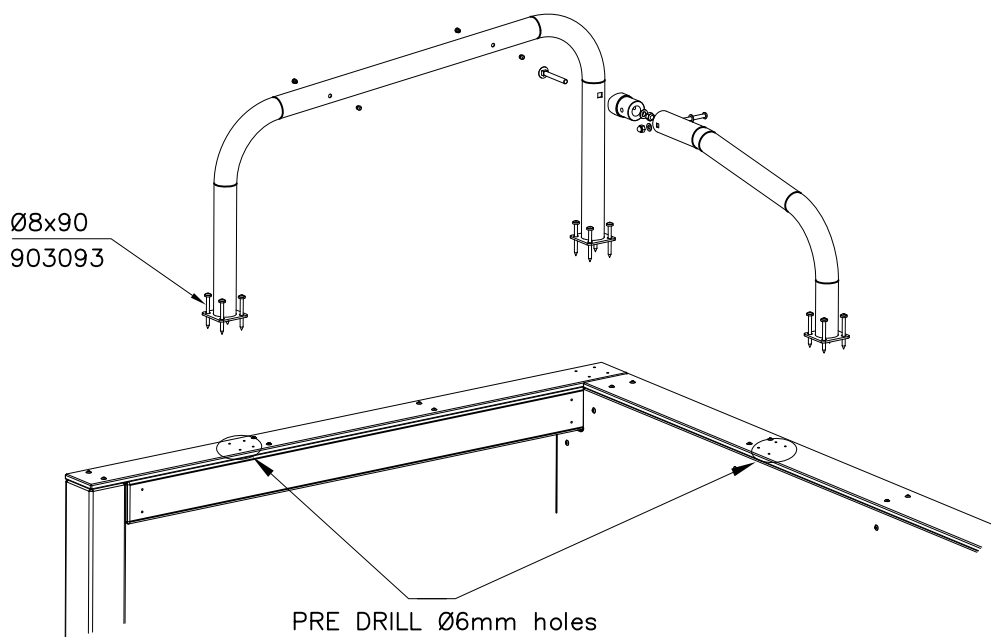
DET 5



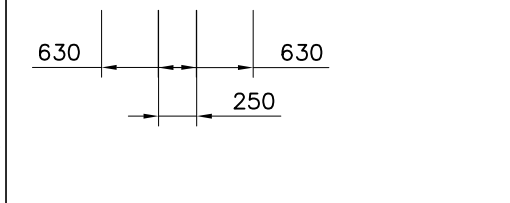
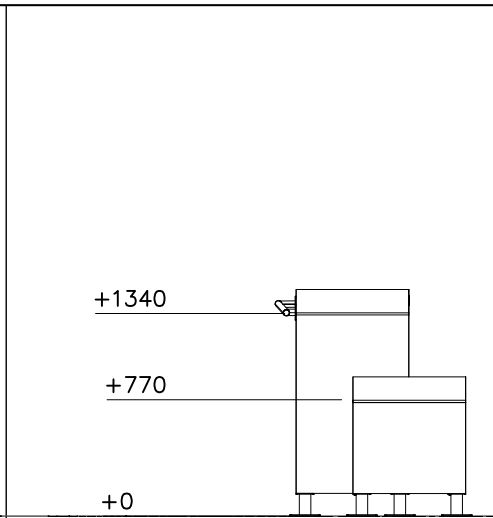
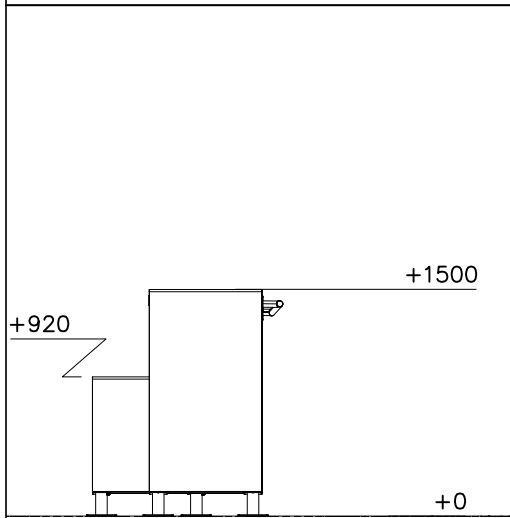
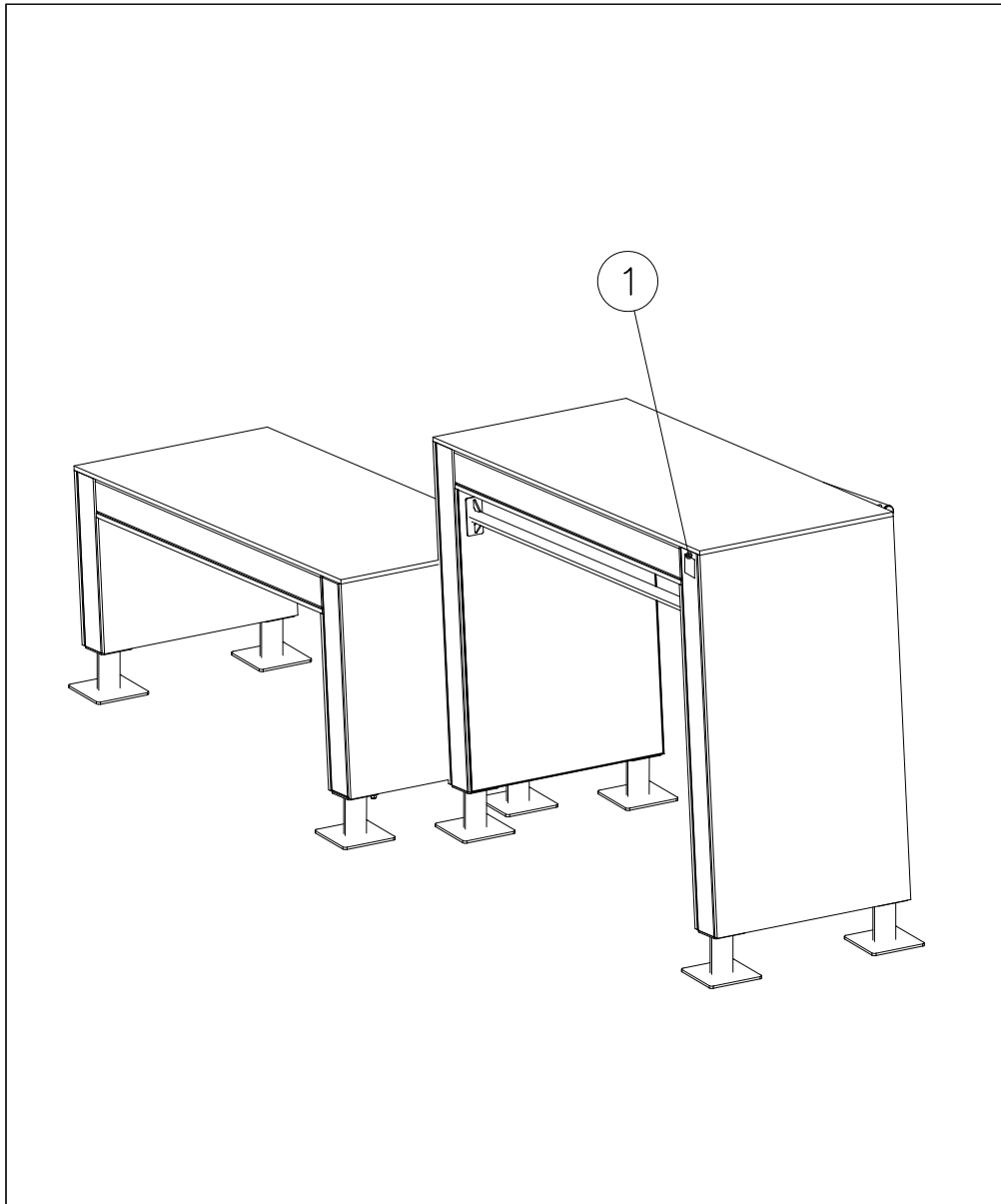
DET 6


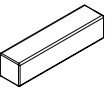

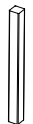



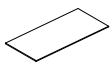
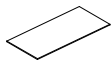
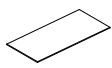
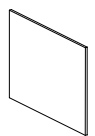
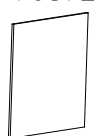
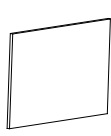
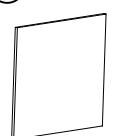
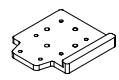



DET 7





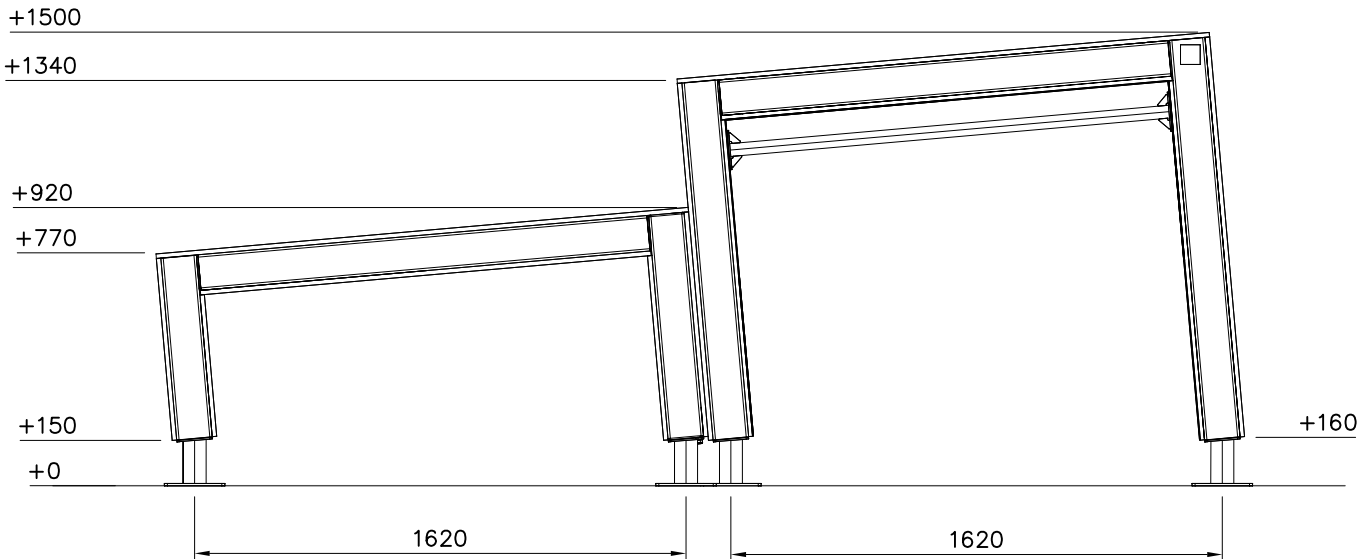


① 702286  65x65	PCS 1	② 707210  118x118x503	PCS 8
③ 707213  118x118x1490	PCS 4	④ 708042  118x118x1185	PCS 2
⑤ 708125  118x118x1326	PCS 2	⑥ 708127  118x118x603	PCS 2
⑦ 708137  118x118x745	PCS 2	⑧ 708721  15x745x1766	PCS 2
⑨ 708723  15x745x1185	PCS 1	⑩ 708724  15x745x1326	PCS 1
⑪ 708725  15x603x745	PCS 1	⑫ 708726  15x745x745	PCS 1
⑬ 708834  15x745x470	PCS 1	⑭ 708835  15x745x612	PCS 1
⑮ 708857 JIG  20x133x149	PCS 1	⑯ 709204  15x745x1495	PCS 1

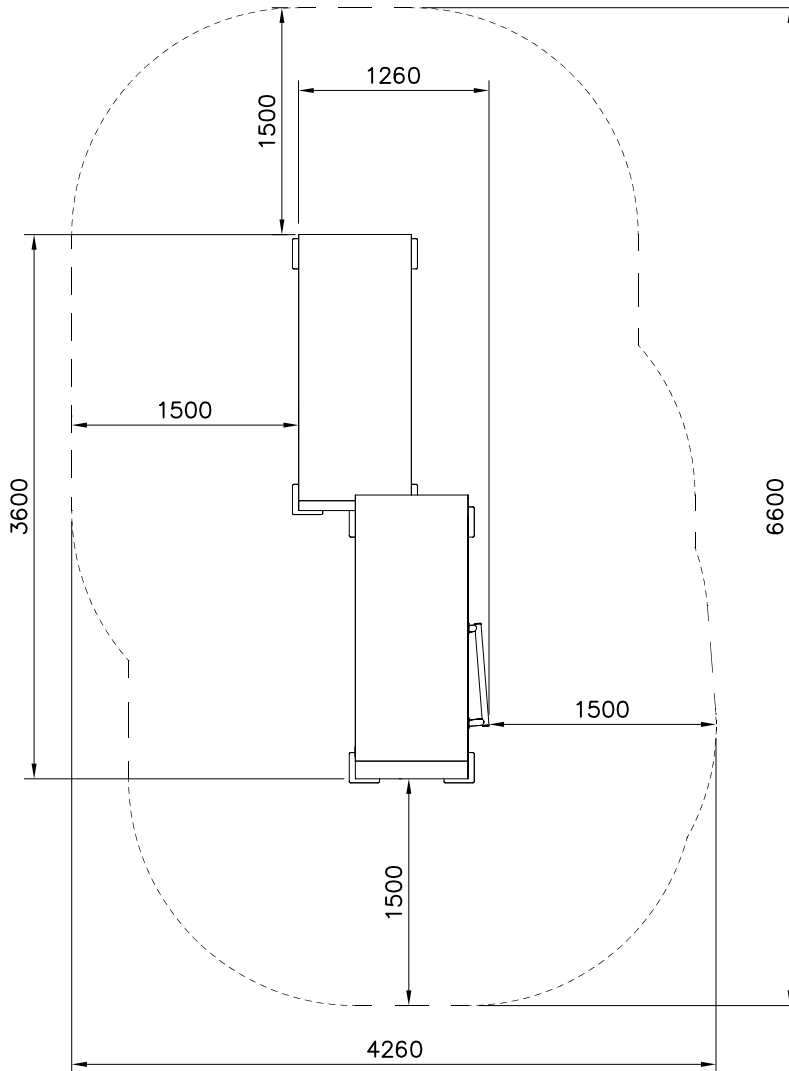
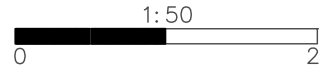
17	911303 COLOR	PCS 1	18	911305 COLOR	PCS 1	19	911307 COLOR	PCS 1	20	900240	PCS 76	21	903093	PCS 20	22	903533	PCS 6																
15x745x1495			15x745x1192			15x745x1050			Ø8x70			Ø8x90			SRL12																		
23	980114	PCS 4	24	905103	PCS 16	25	905112	PCS 16	26	908371	PCS 2	27	908698	PCS 16	28	980100	PCS 96																
Ø4x20			PT-28/32-H			Ø22			42-38/40			3x114x108			Ø5x60																		
29	910328	PCS 1	30	910056	PCS 1	31	910266	PCS 8	32	980123	PCS 88	<p>FOOT OPTIONS</p> <p>709261+      709262+</p> <table border="1"> <tr> <td>910267</td> <td>PCS</td> <td>910567</td> <td>PCS</td> </tr> <tr> <td>SURFACE</td> <td>8</td> <td>CONCRETE</td> <td>8</td> </tr> <tr> <td colspan="2"></td> <td colspan="2"></td> </tr> <tr> <td colspan="2">152x200x200</td> <td colspan="2">117x117x715</td> </tr> </table>						910267	PCS	910567	PCS	SURFACE	8	CONCRETE	8					152x200x200		117x117x715	
910267	PCS	910567	PCS																														
SURFACE	8	CONCRETE	8																														
152x200x200		117x117x715																															
L 1466			140x690			90x108x118			Ø7x60																								

FOOT OPTIONS

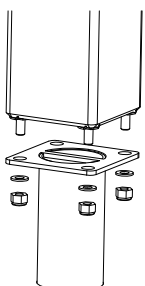
709261+	709262+
910267	910567
SURFACE	CONCRETE
PCS	PCS
8	8
152x200x200	
117x117x715	



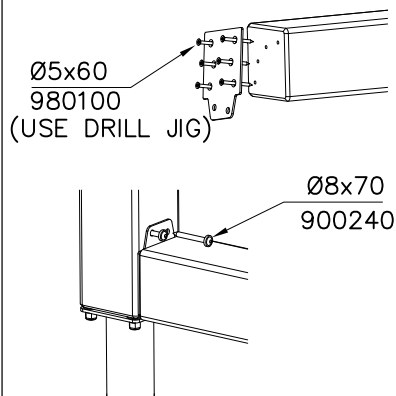
----- Falling Space 23.5 m<sup>2</sup>  
Max Falling Height 1500 mm



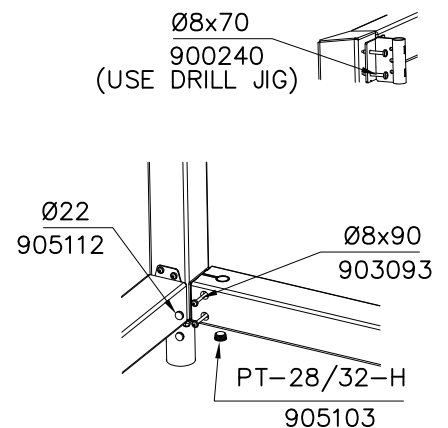
DET 1



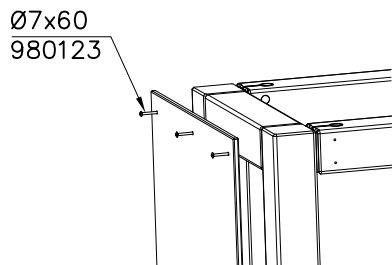
DET 2



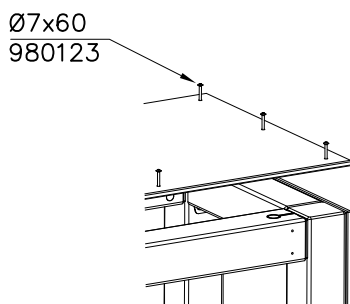
DET 3



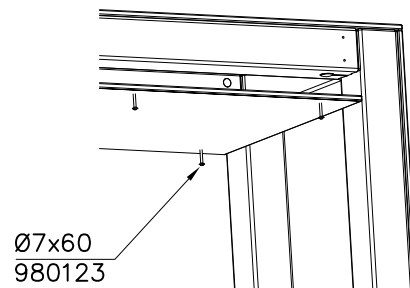
DET 4



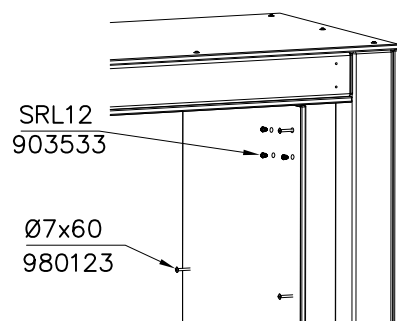
DET 5



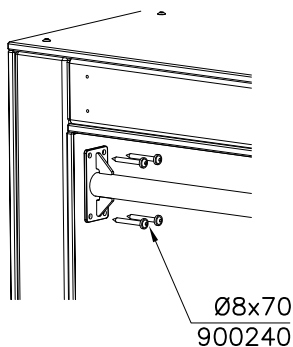
DET 6



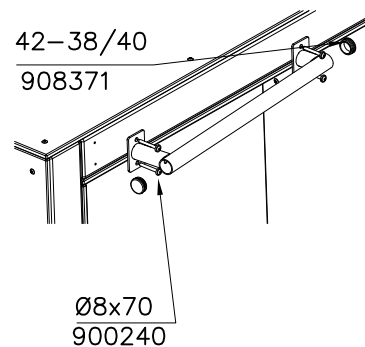
DET 7



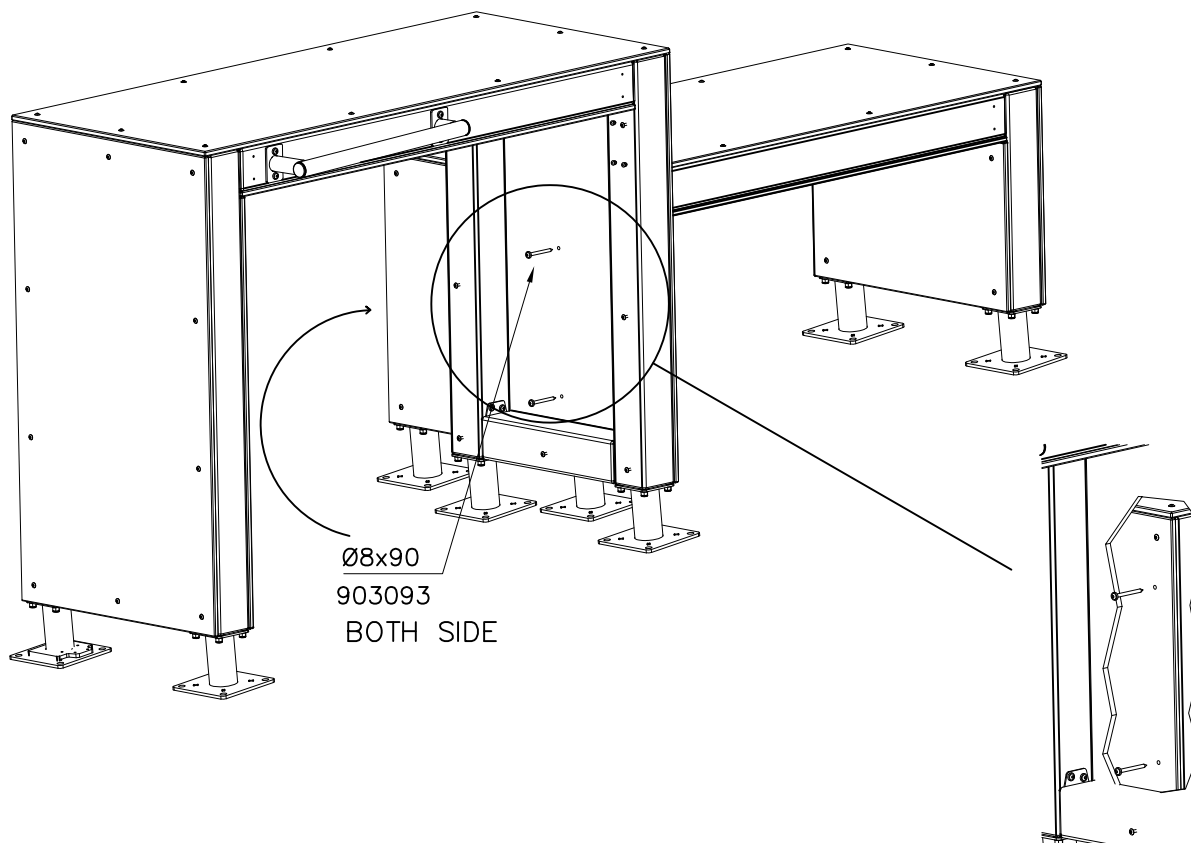
DET 8

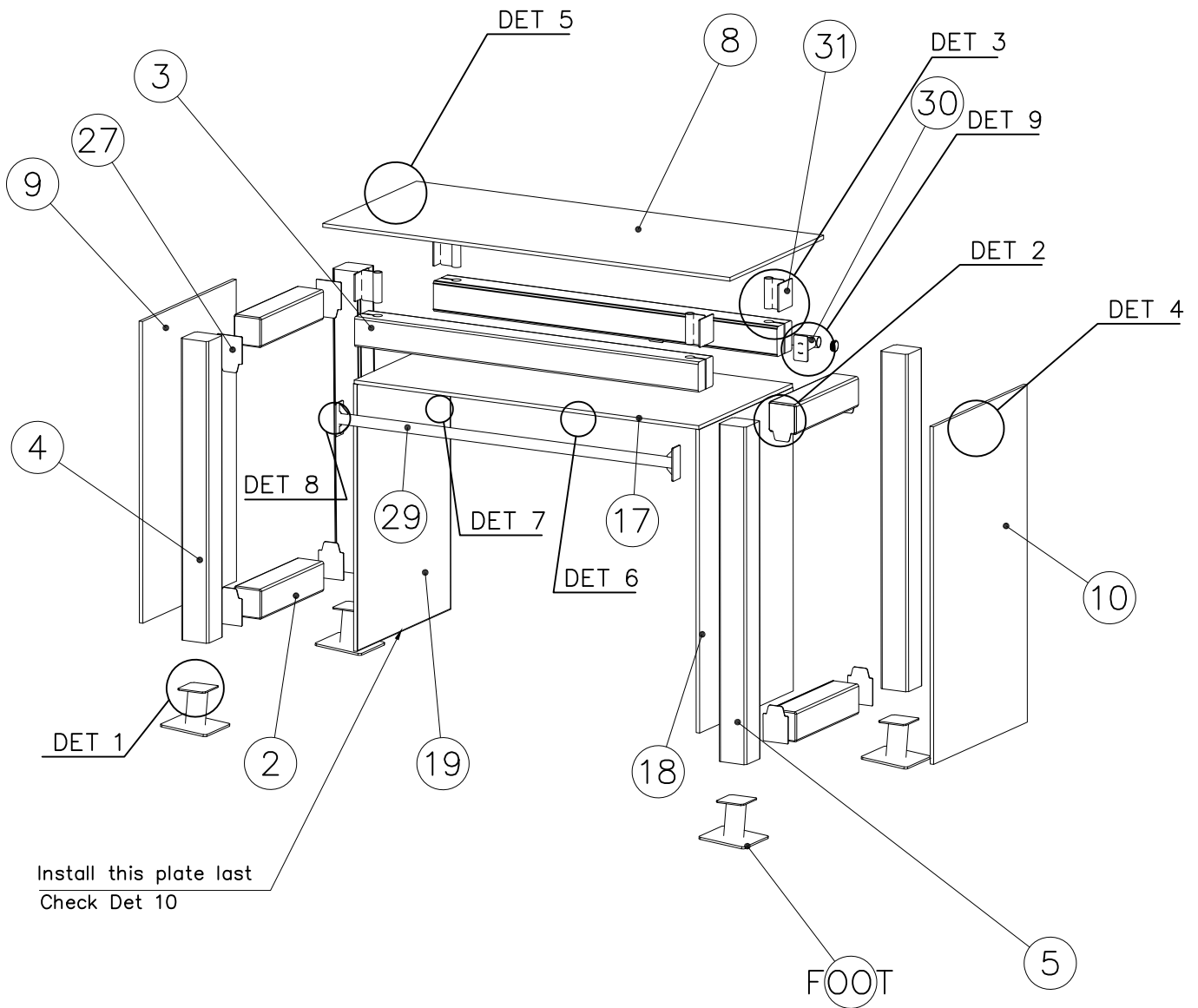


DET 9 DRILL PREHOLES  
Ø6mm BEFORE  
INSTALLING HANDLES



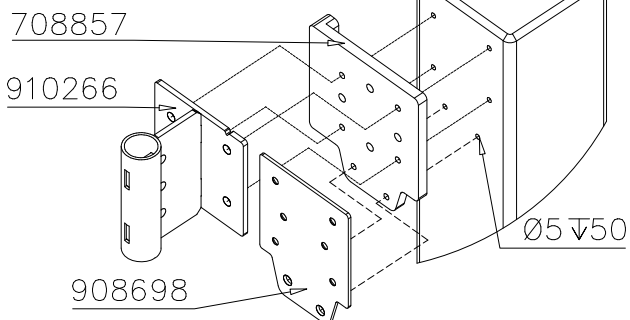
DET 10



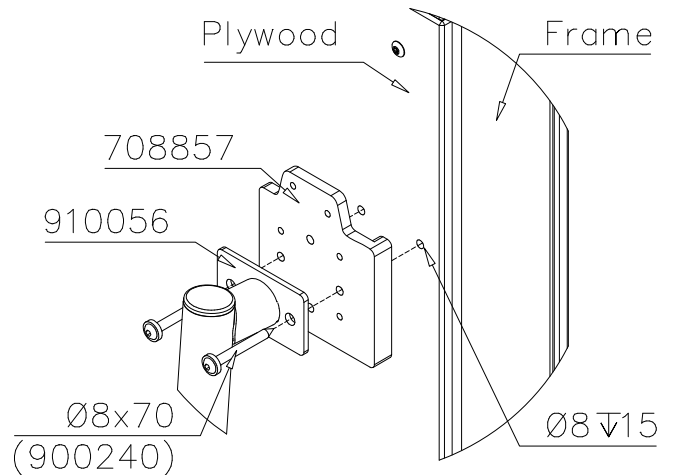


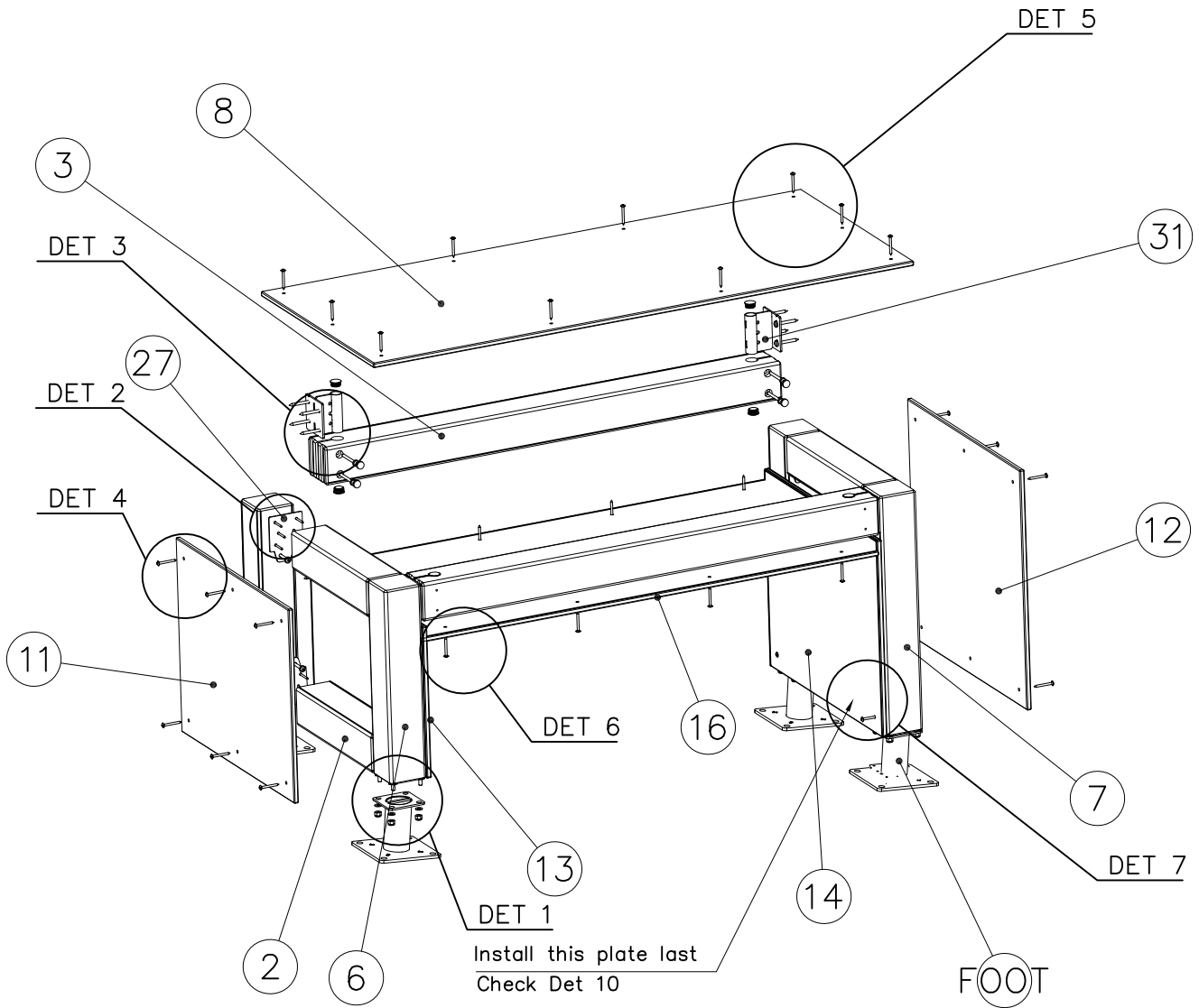
### JIG DET A (USE DET 2-3)

NOTE:  
Use drill jig 708857  
to predrill  $\varnothing 5 \nabla 50$   
holes for 910266  
and 908698



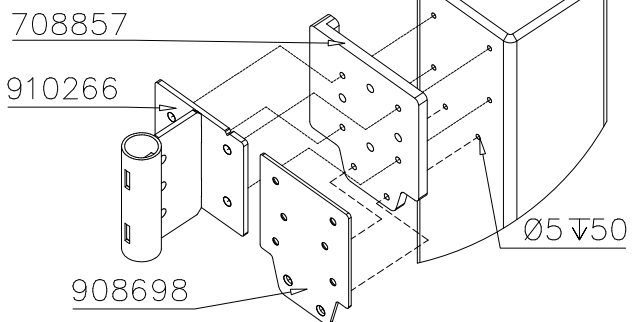
### JIG DET B (USE DET 9)

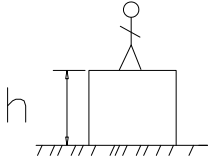




JIG DET A (USE DET 2-3)

NOTE:  
Use drill jig 708857  
to predrill  $\varnothing 5 \nabla 50$   
holes for 910266  
and 908698





$h < 1600$

Totally hard surfaces or materials with very limited impact attenuating properties.

Case by case risk assessment is needed including e.g. evaluation whether there is forced movement, what is the intended exercise and where will the product be installed.

Materials with significant impact attenuating properties.

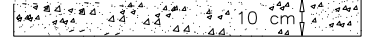
Totally hard surfaces.  
E.g. concrete or asphalt



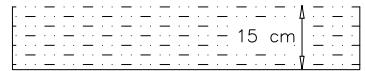
Materials with very limited impact attenuating properties.  
E.g. wood



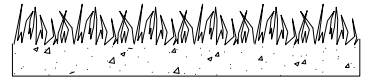
fine gravel 0–8 mm



Unsorted sand/ topsoil



Lawn

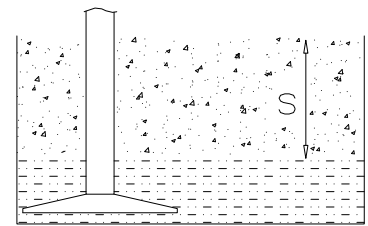


$h = 1600-$

$h < 3000$

Loose fill material

E.g.  
sand/gravel 0,25...8 mm  $D_{60}/D_{10} < 3,0$   
Woodchips 5...30 mm  
bark 20...80 mm



$\underline{S}$   
30 cm       $\underline{h}$   
                 < 3,0 m

Synthetic granulates

$\underline{S}$                        $\underline{h}$   
40 mm  $\sim >$  1,6... $\sim <$  1,8 m  
50 mm  $\sim >$  1,8... $\sim <$  2,25 m  
55 mm  $\sim >$  2,25... $\sim <$  2,4 m  
60 mm  $\sim >$  2,4... $\sim <$  2,55 m  
70 mm  $\sim >$  2,55... $\sim <$  3,0 m

Note. For accurate values, see manufacturer's instructions.

