

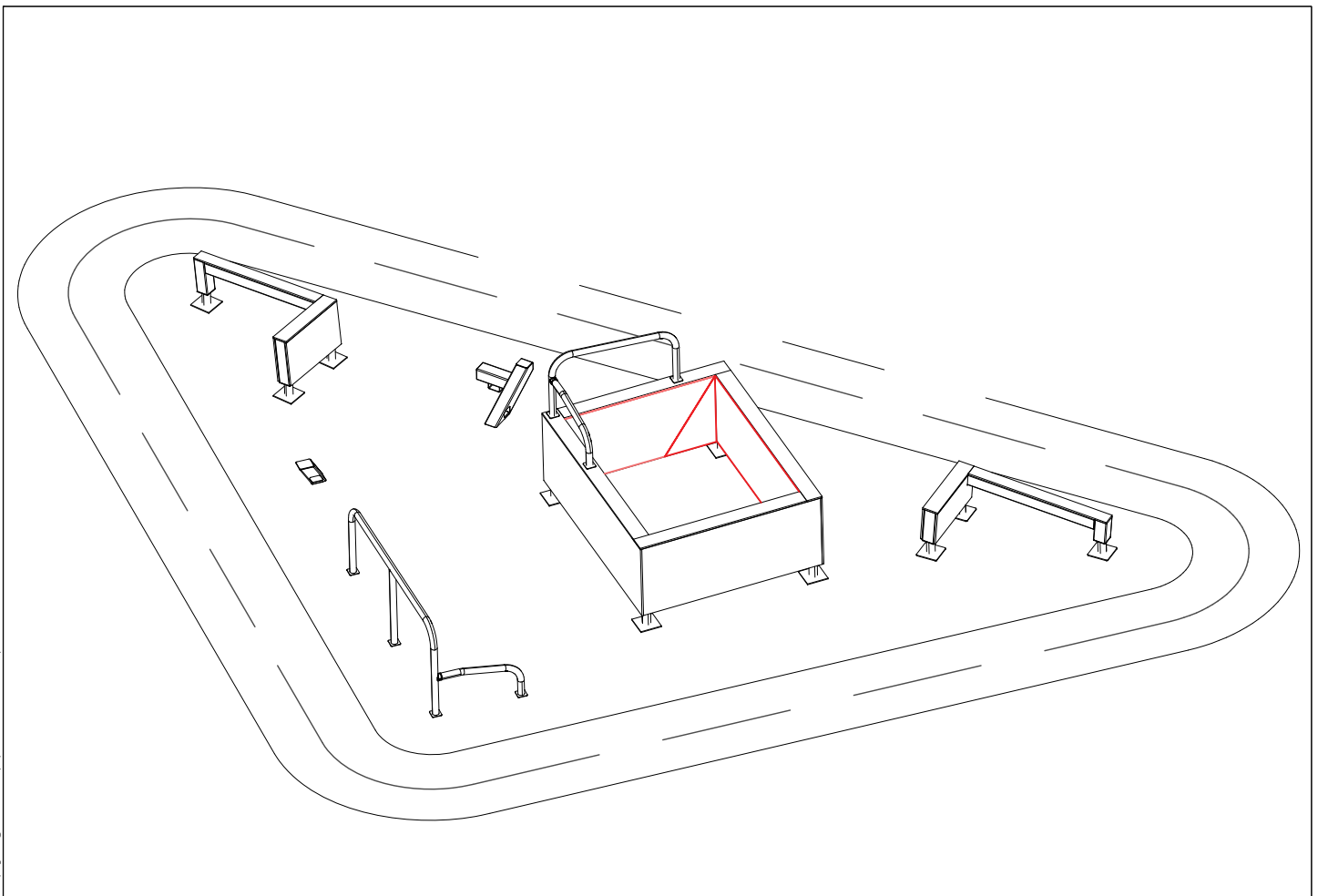
LAPPSET®

DASH PARKOUR

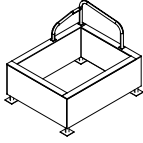



ASENNUSOHJE
MONTERINGSANSVISNING
INSTALLATION INSTRUCTION
AUFBAUANLEITUNG
NOTICE D'INSTALLATION

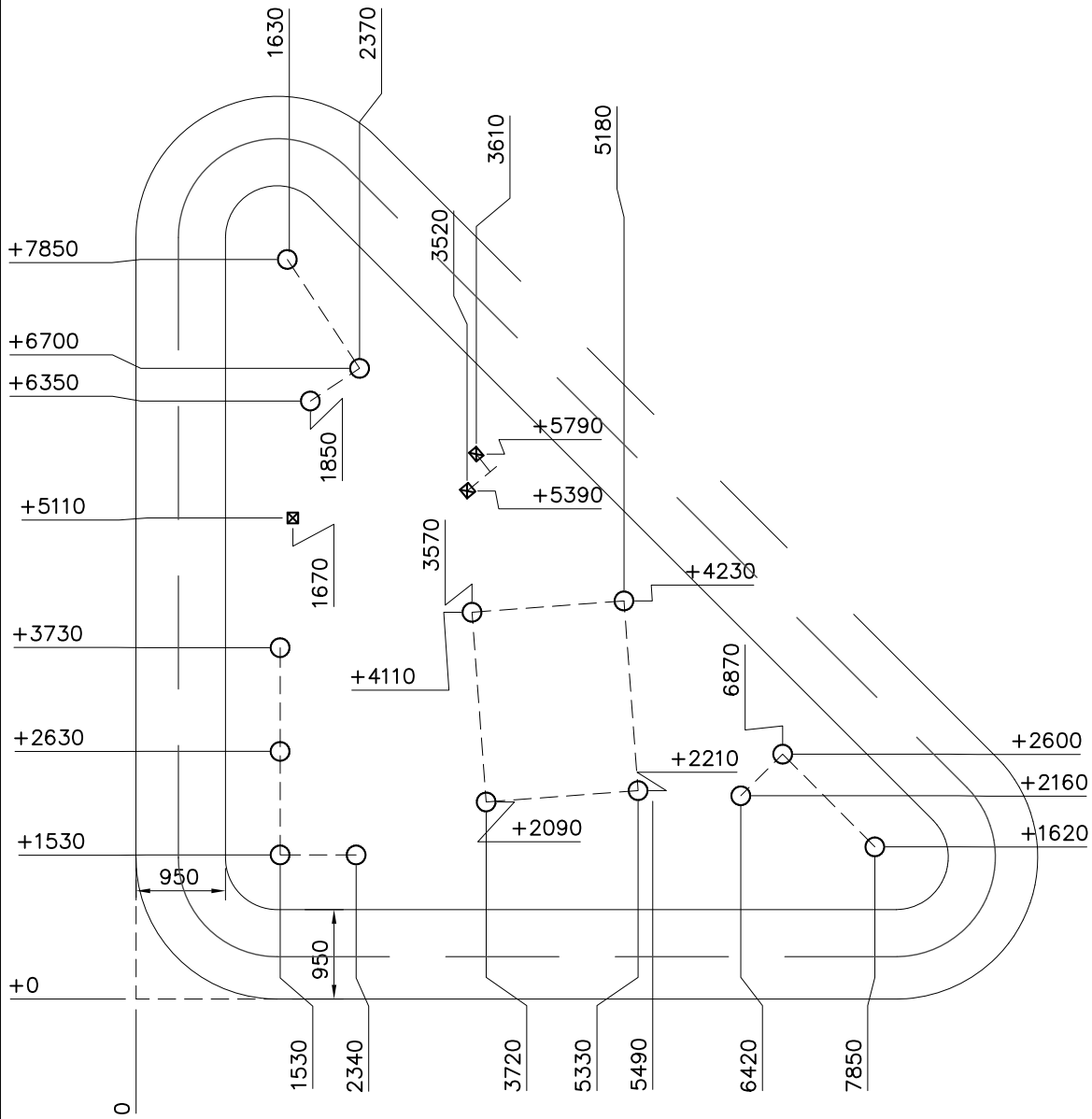
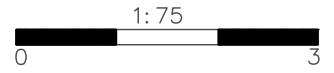
DATE: 17.2.2020

081760M

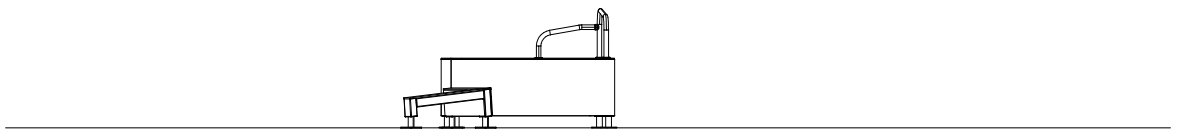
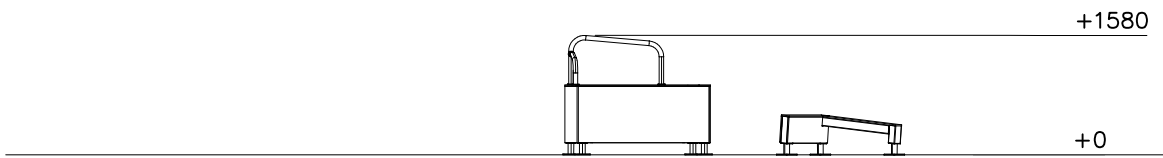
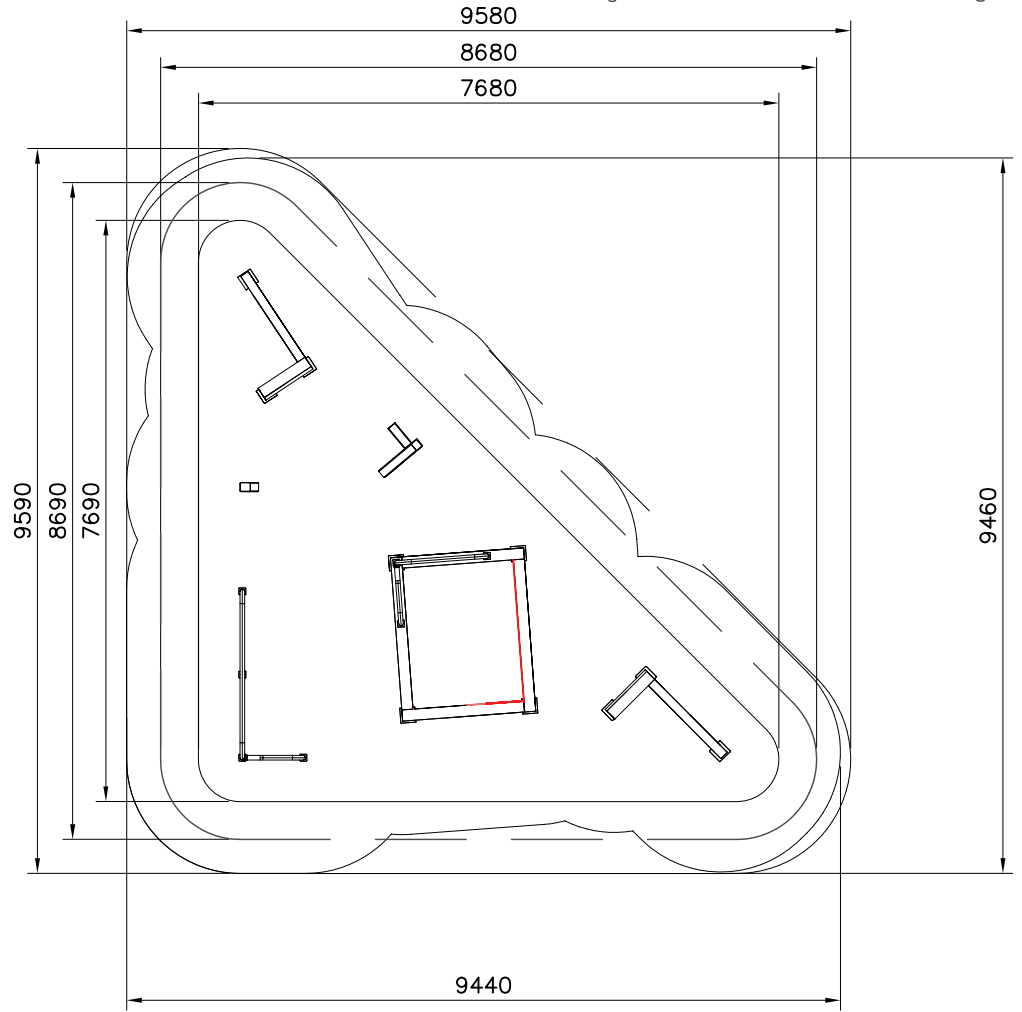


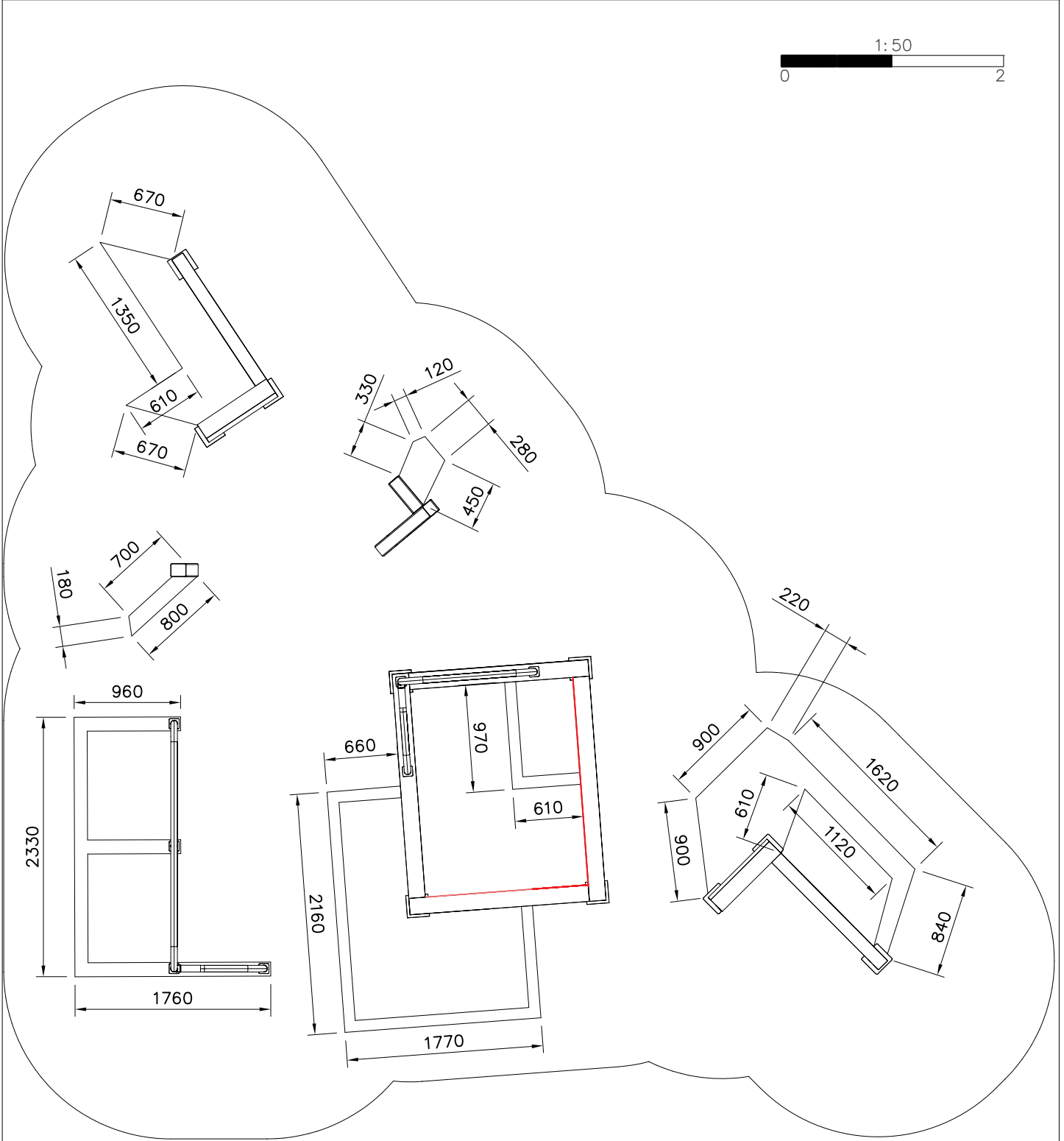
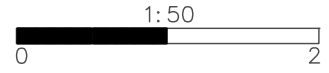
DATE: 17.2.2020

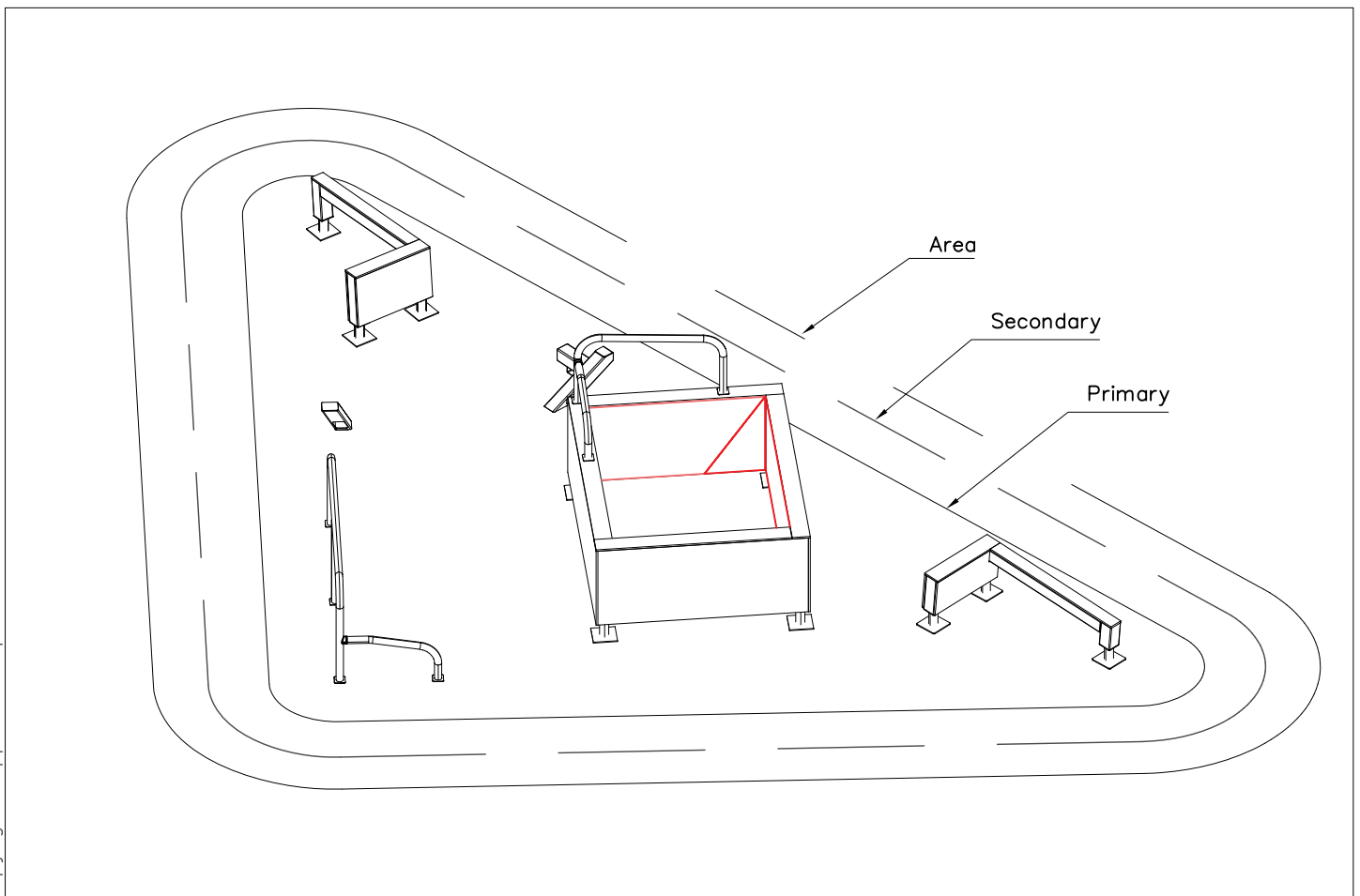
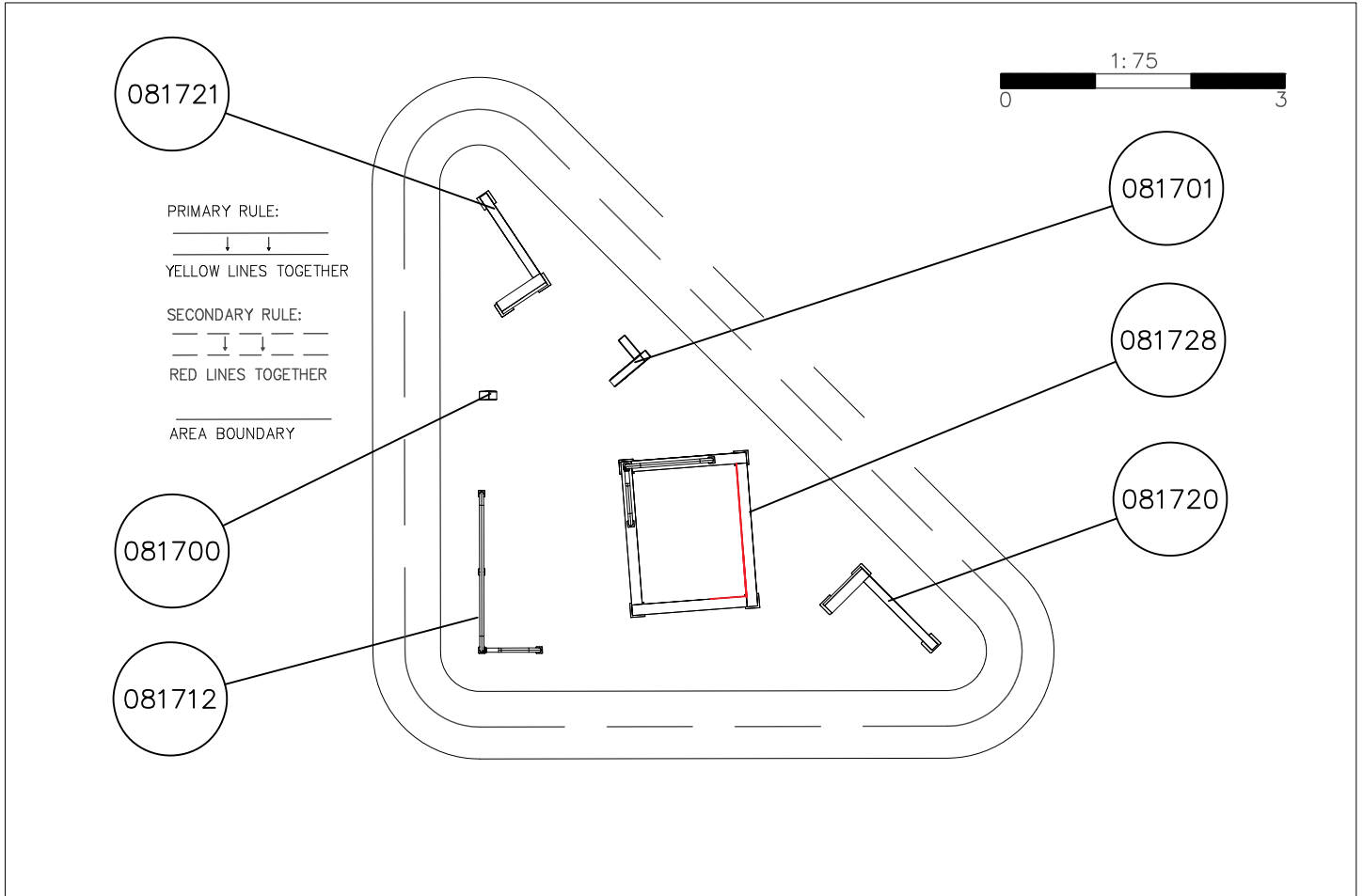
081700M	PCS	081701M	PCS	081712M	PCS	081720M	PCS	081721M	PCS	081728M	PCS
	1		1		1		1		1		1
											
	PCS		PCS		PCS		PCS		PCS		PCS
	PCS		PCS		PCS		PCS		PCS		PCS
	PCS		PCS		PCS		PCS		PCS		PCS
	PCS		PCS		PCS		PCS		PCS		PCS
	PCS		PCS		PCS		PCS		PCS		PCS

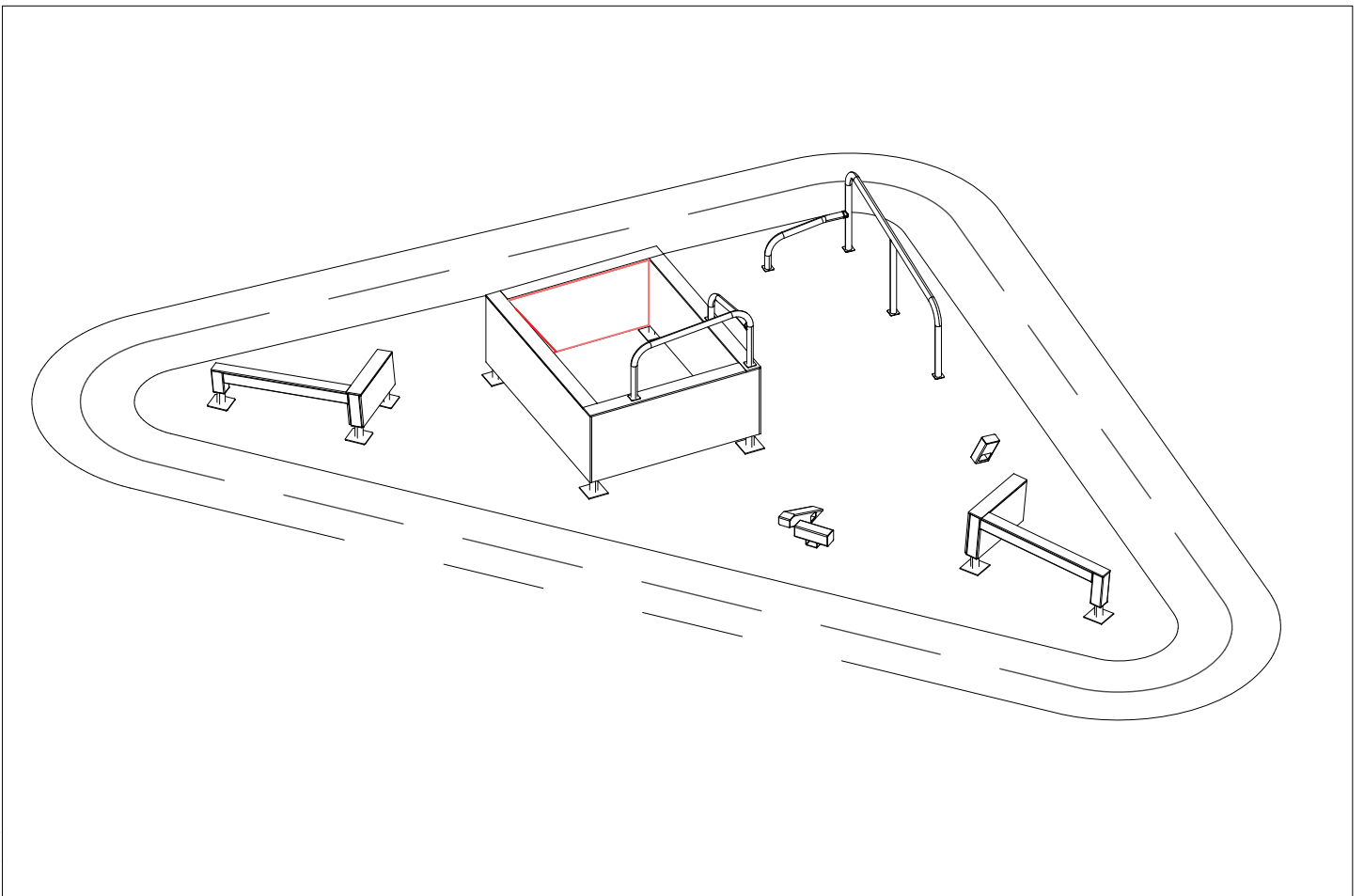
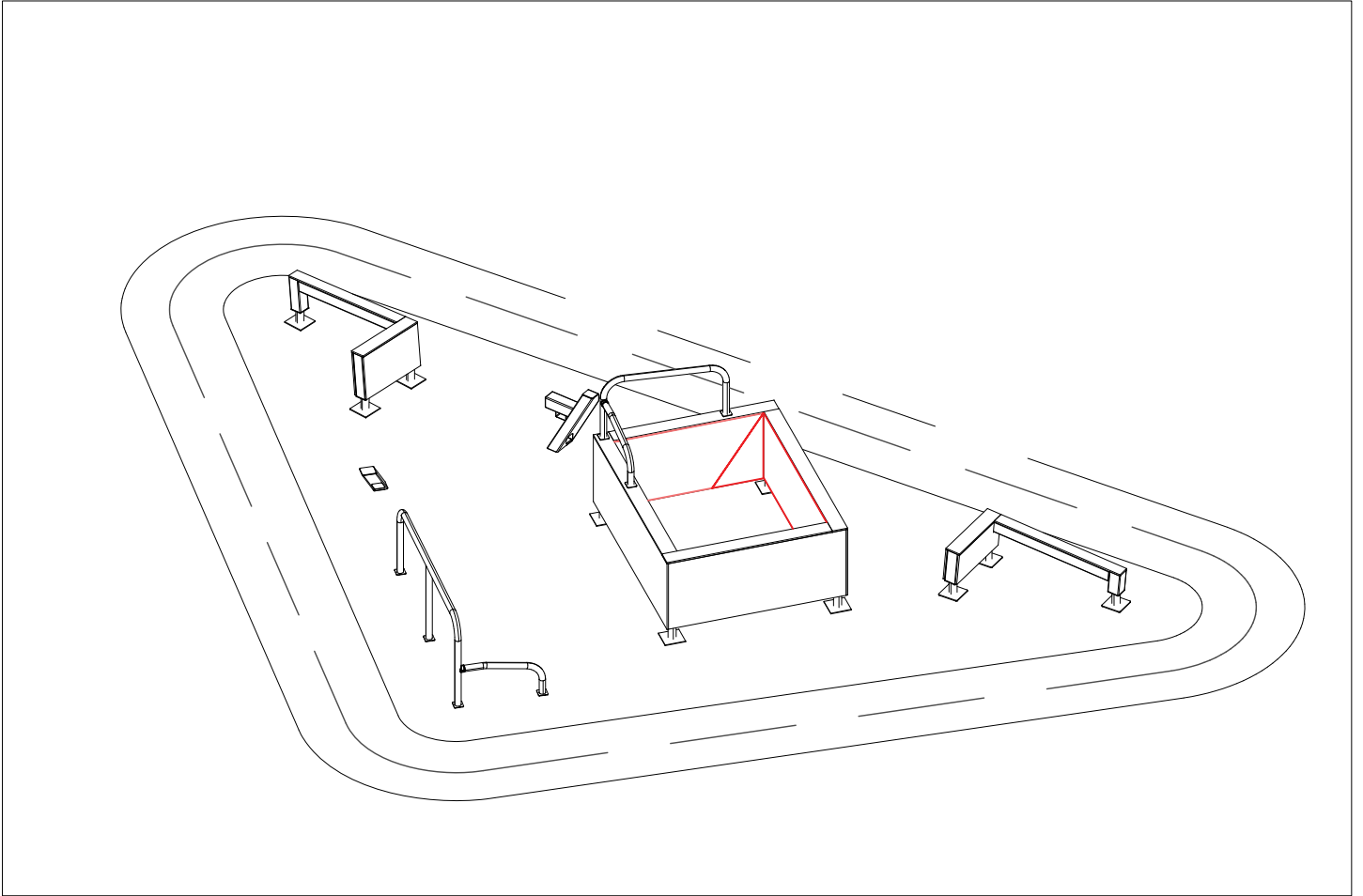


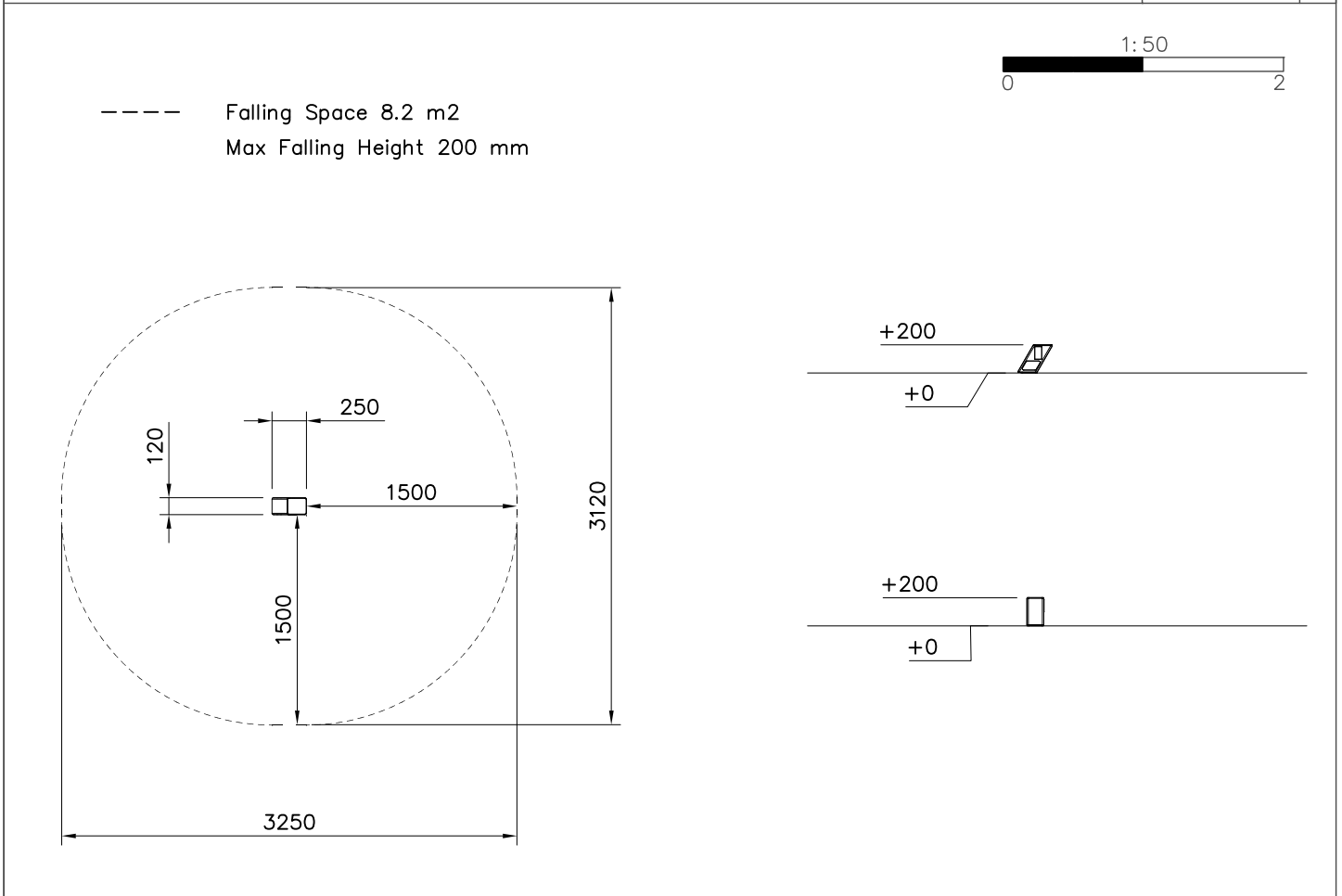
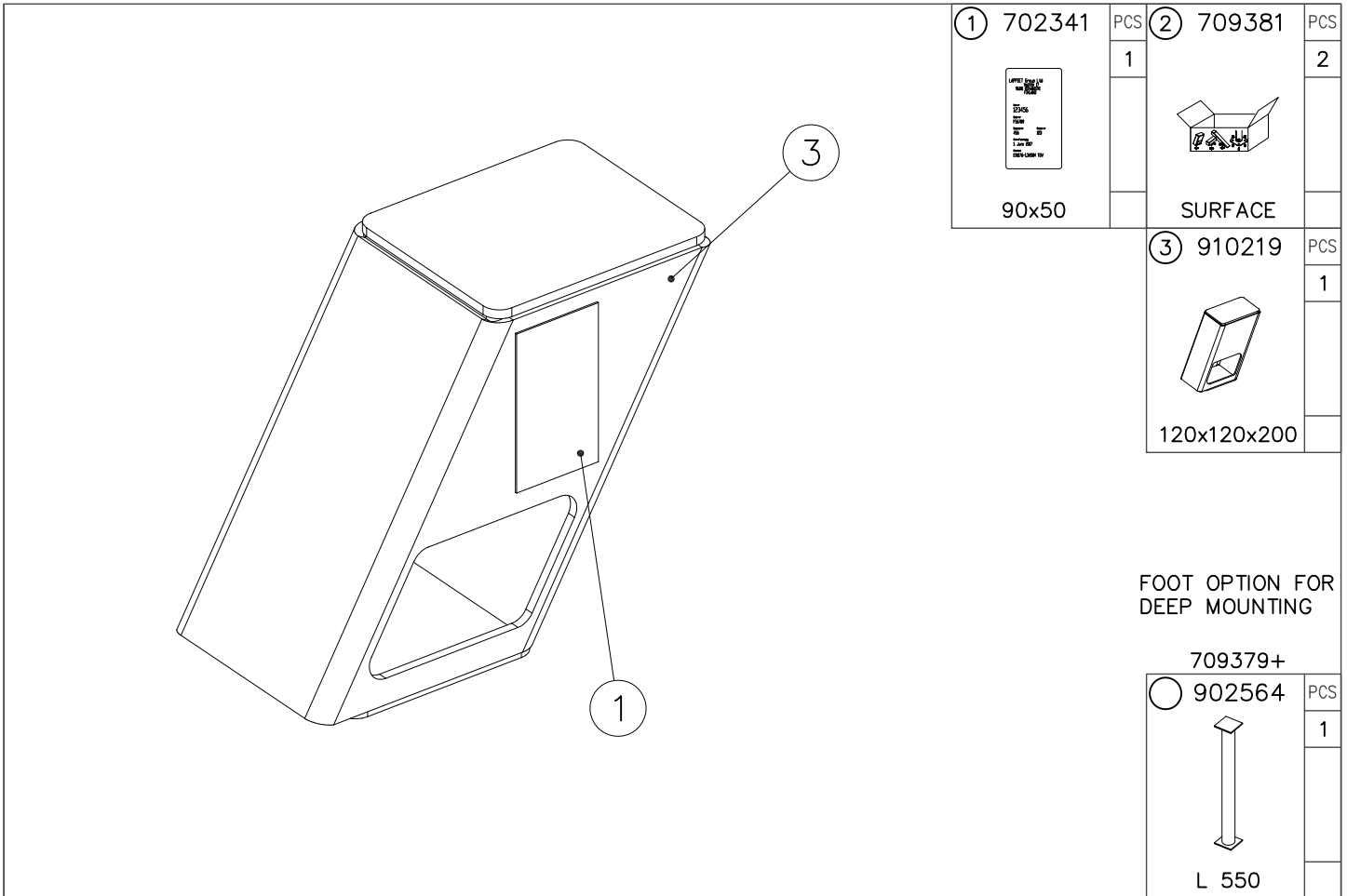
— Falling Space 57.9 m²
 Max Falling Height 1580 mm



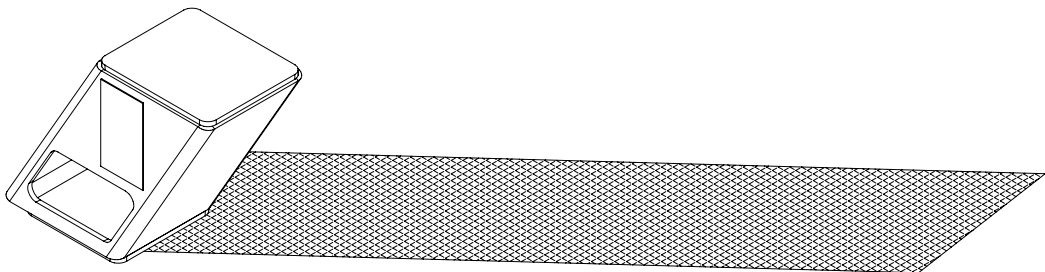
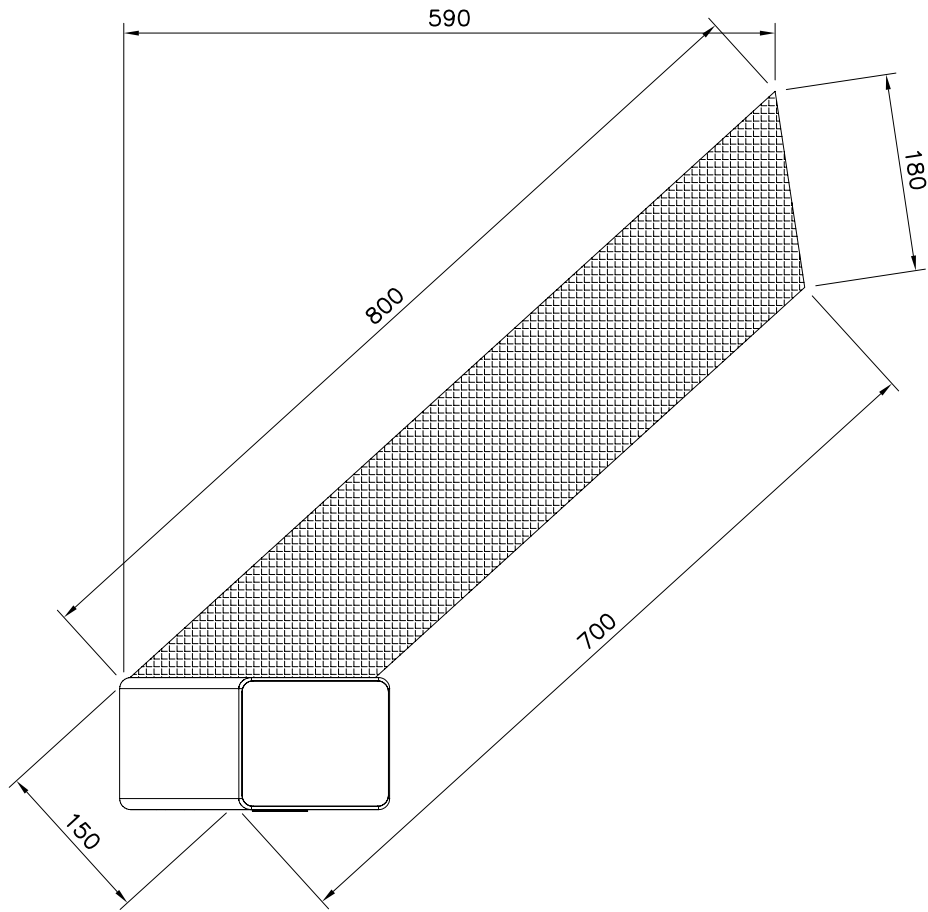


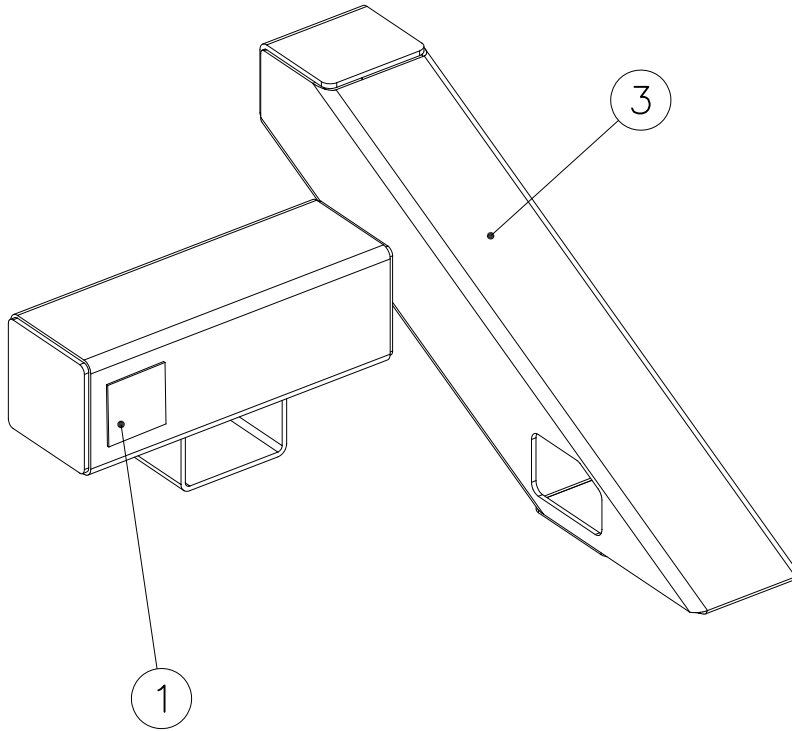






Shadow lines

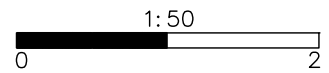




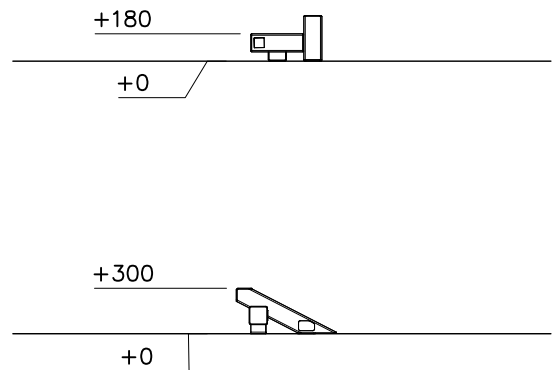
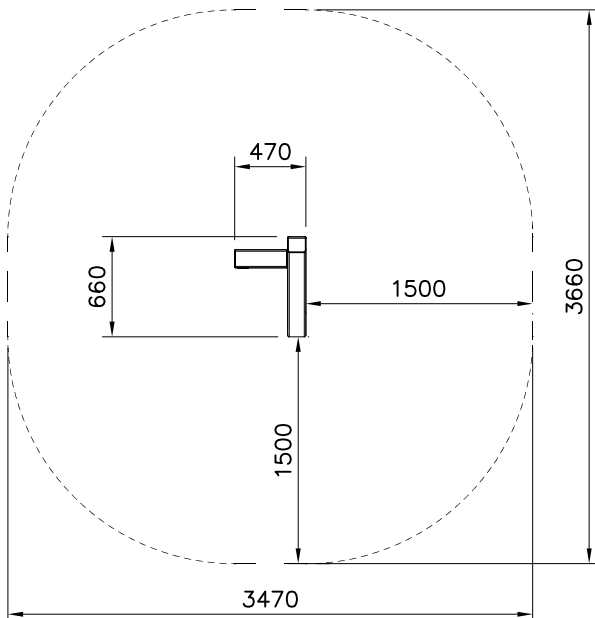
① 702341	PCS	② 709381	PCS
	1		2
90x50		SURFACE	
		③ 910220	PCS
			1
		300x470x662	

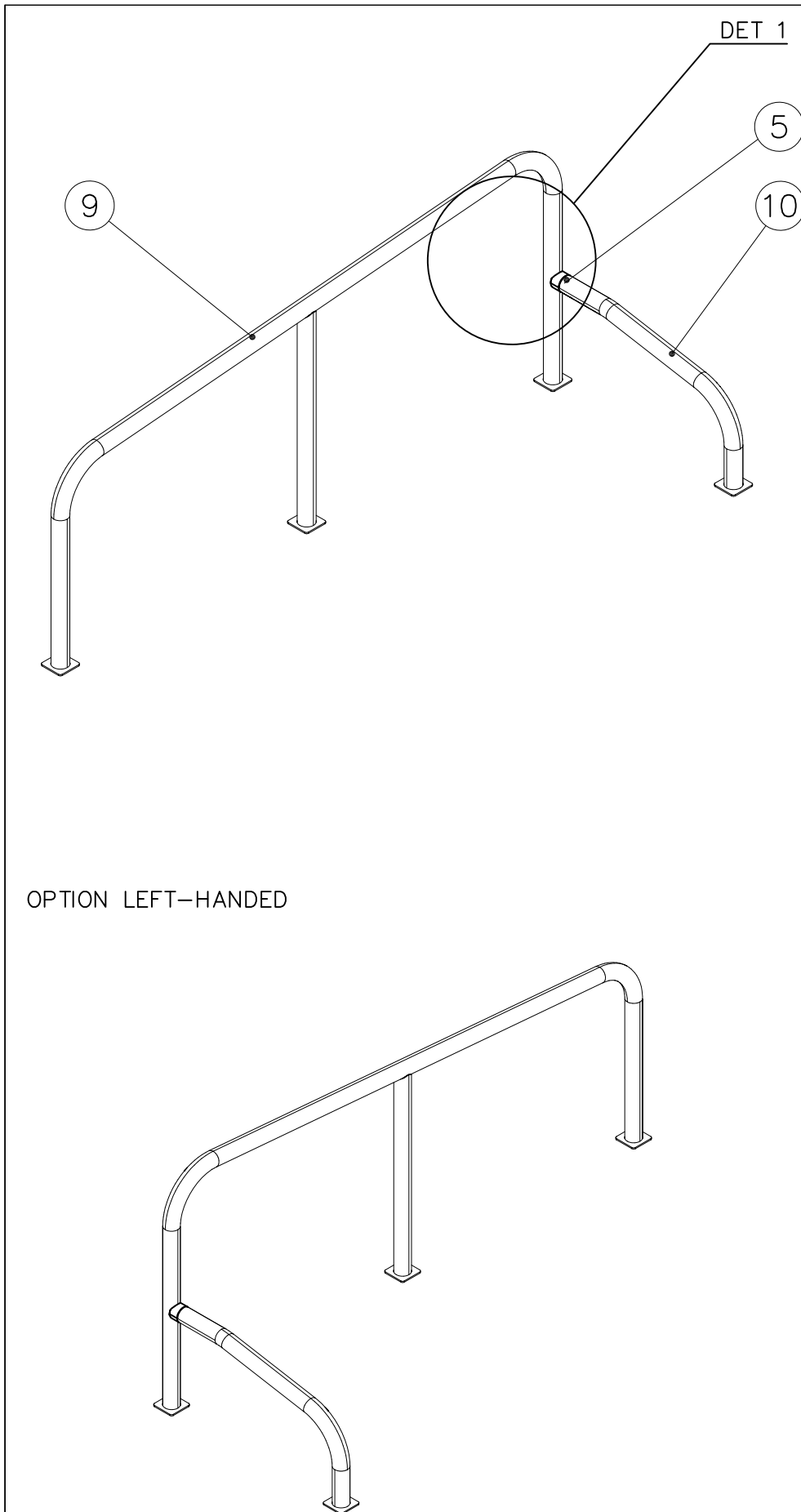
FOOT OPTION FOR DEEP MOUNTING

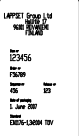

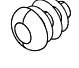
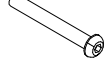
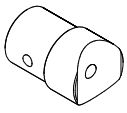



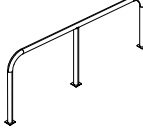
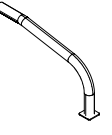

		709379+	
○ 902564	PCS		2
		L 550	

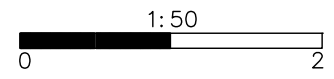
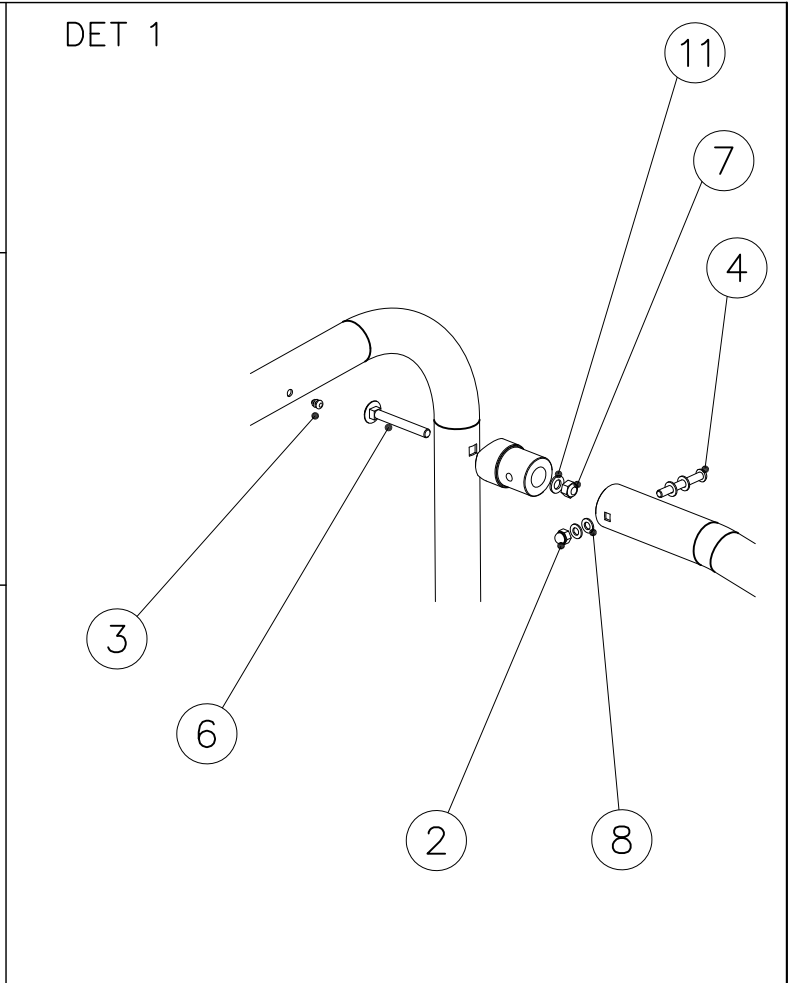
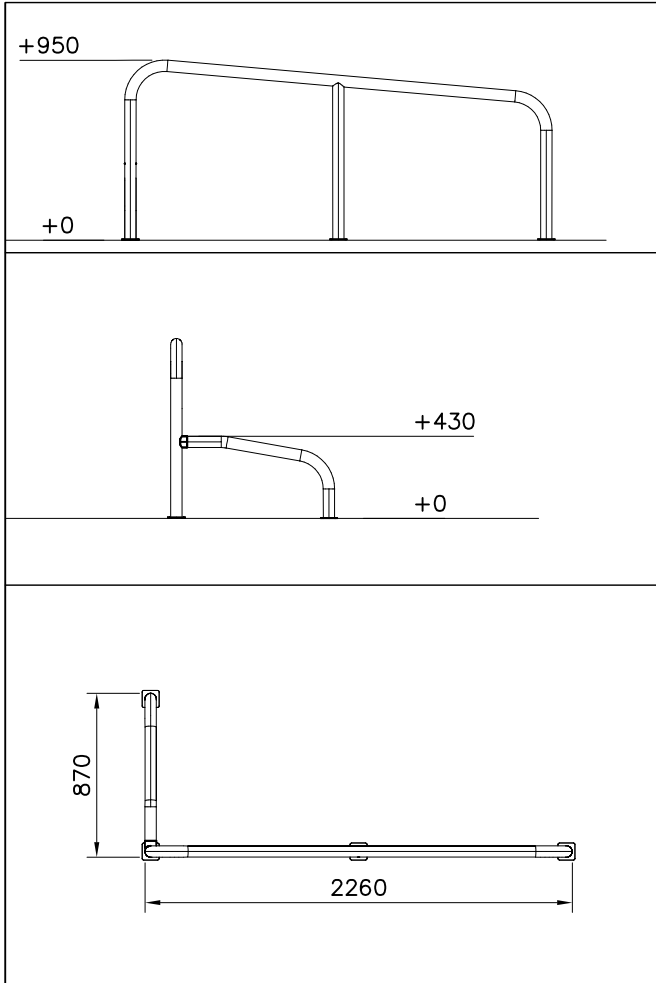


----- Falling Space 10.8 m²
 Max Falling Height 300 mm

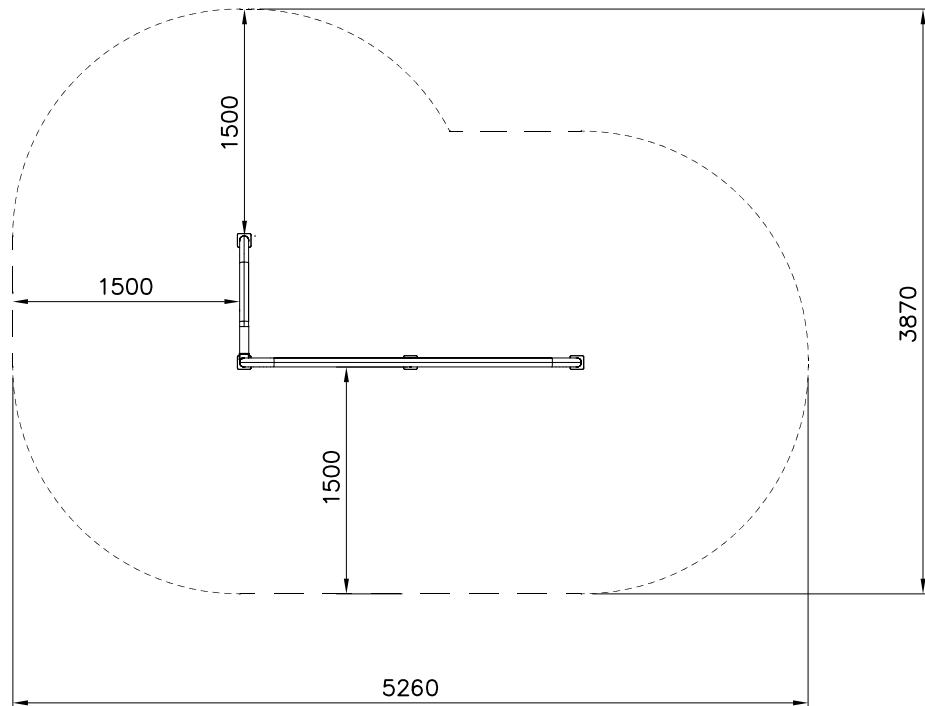


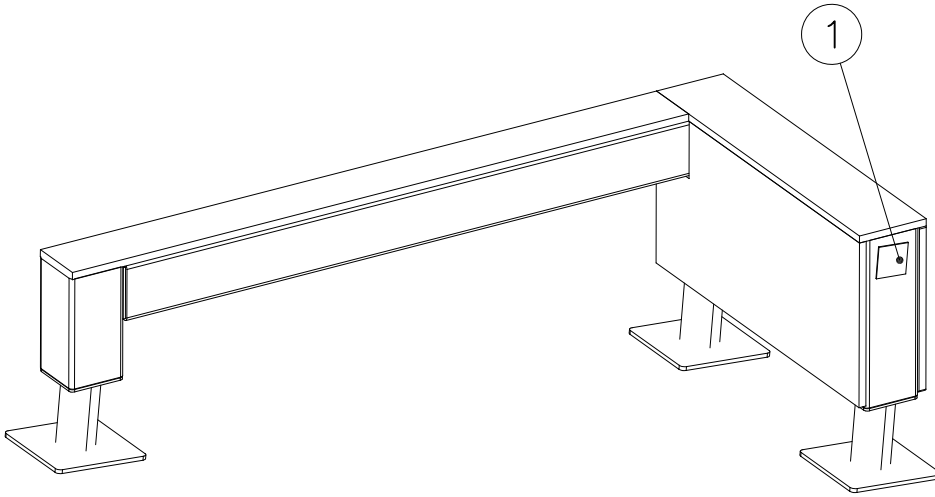



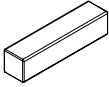



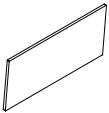
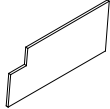
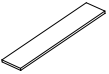

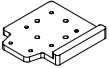
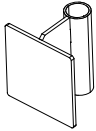




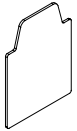
①	702341	PCS	②	900965	PCS
		1			1
	90x50			M10	
③	903533	PCS	④	904133	PCS
		4			1
	SRL12			M10x80	
⑤	908069	PCS	⑥	909111	PCS
		1			1
	Ø60x87.6			M12x100	
⑦	909248	PCS	⑧	909638	PCS
		1			4
	M12			Ø20/10.5	
⑨	910255	PCS	⑩	910262	PCS
		1			1
	Ø60x950x2290			Ø60x435x795	
⑪	980154	PCS			PCS
		1			
	Ø24/13				

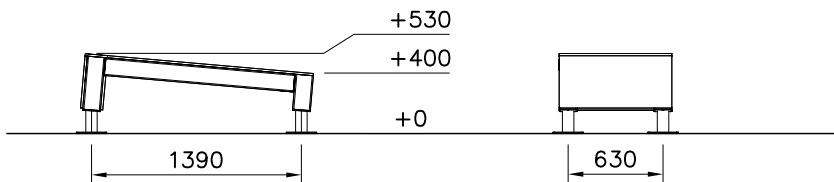


----- Falling Space 16.2 m2
 Max Falling Height 950 mm

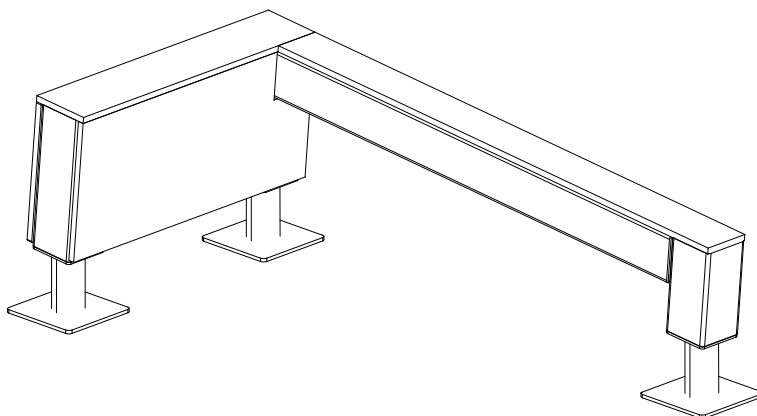







① 702286  65x65	PCS 1	② 707210  118x118x503	PCS 2
③ 707212  118x118x1254	PCS 1	④ 708347  118x118x231	PCS 1
⑤ 708443  118x118x352	PCS 2	⑥ 708727  15x346x745	PCS 1
⑦ 708730  15x346x745	PCS 1	⑧ 708733  15x148x745	PCS 1
⑨ 708734  15x118x1365	PCS 1	⑩ 708857 JIG  20x133x149	PCS 1
⑪ 910266  90x108x118	PCS 2	⑫ 900240  Ø8x70	PCS 16
⑬ 903093  Ø8x90	PCS 4	⑭ 905103  PT-28/32-H	PCS 2
⑮ 905112  Ø22	PCS 4	⑯ 908698  3x114x108	PCS 4

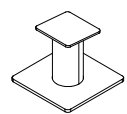



INSTALLATION OF A SECOND HAND

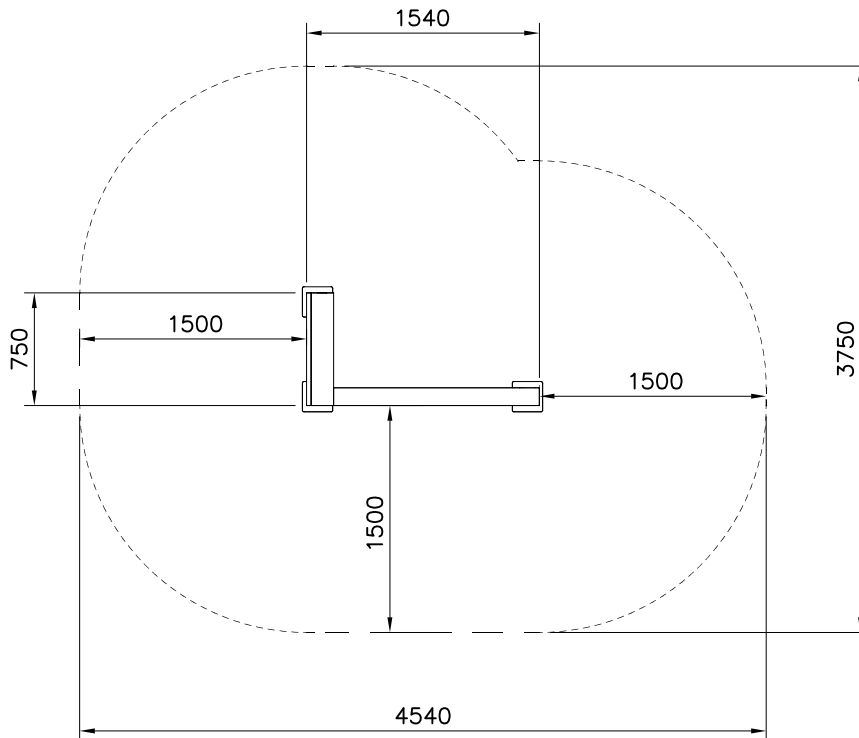
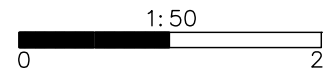


17	980100	PCS	18	980114	PCS	19	980123	PCS
		28			4			25
								
	Ø5x60			Ø4x20			Ø7x60	

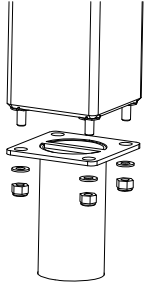
FOOT OPTIONS

709261+		709262+	
○ 910267	PCS	○ 910567	PCS
SURFACE	3	CONCRETE	3
			
152x200x200		117x117x715	

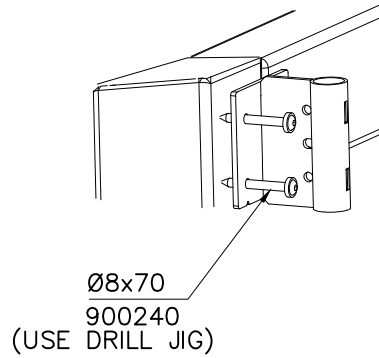
----- Falling Space 13.8 m²
Max Falling Height 530 mm



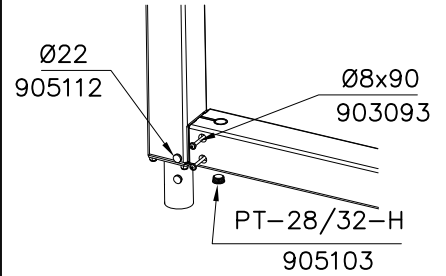
DET 1



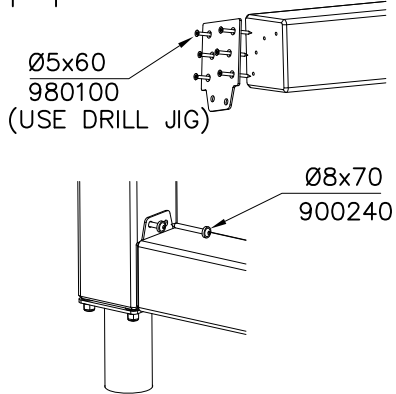
DET 2



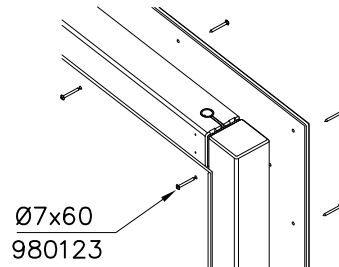
DET 3



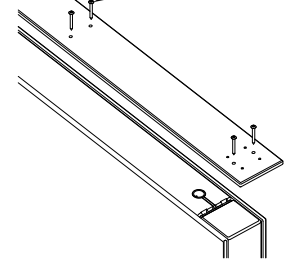
DET 4



DET 5

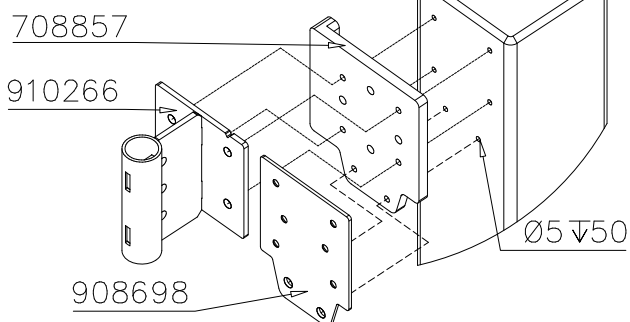


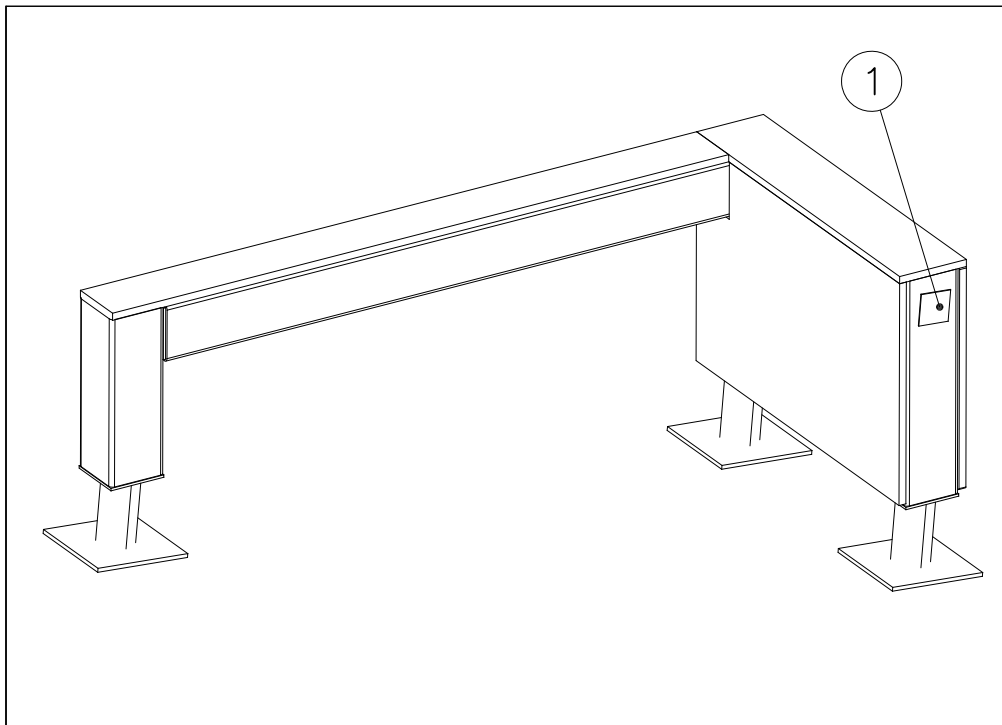
Ø7x60
980123


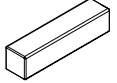



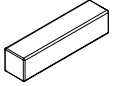
JIG DET A (USE DET 2-4)

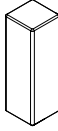
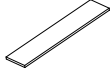
NOTE:
Use drill jig 708857
to predrill $\text{Ø}5\sqrt{50}$
holes for 910266
and 908698

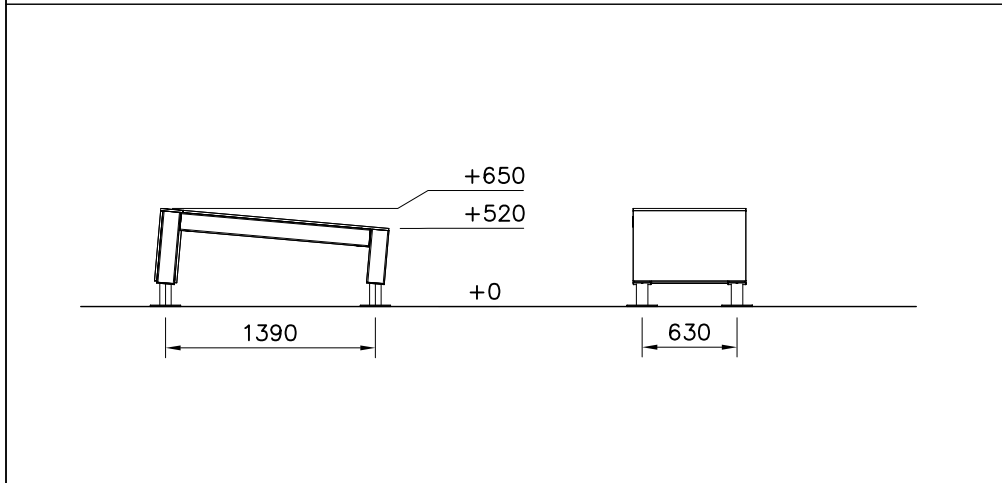



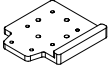


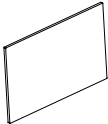

① 702286	PCS	② 707210	PCS
	1		2
65x65		118x118x503	

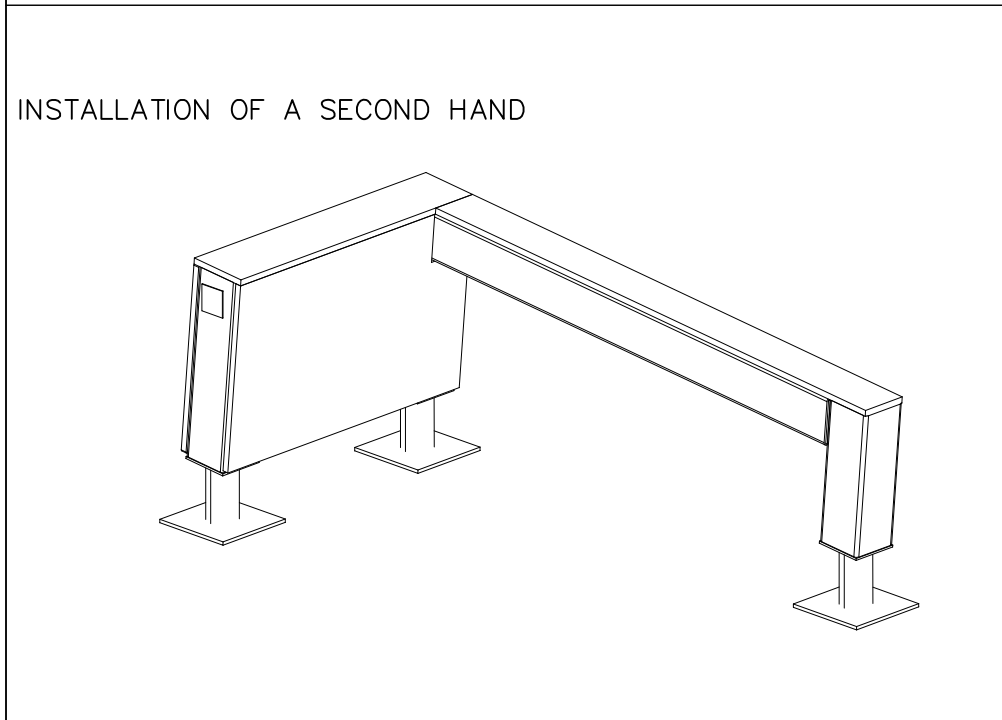
③ 707212	PCS	④ 707889	PCS
	1		2
118x118x1254		118x118x472	



⑤ 708443	PCS	⑥ 708733	PCS
	1		1
118x118x352		15x148x745	


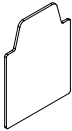


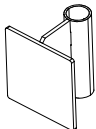
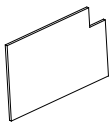
⑦ 708734	PCS	⑧ 708857 JIG	PCS
	1		1
15x118x1365		20x133x149	




⑨ 708731	PCS	⑩ 900240	PCS
	1		16
15x466x745		Ø8x70	



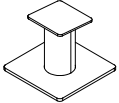

⑪ 903093	PCS	⑫ 905103	PCS
	4		2
Ø8x90		PT-28/32-H	

⑬ 905112	PCS	⑭ 908698	PCS
	4		4
Ø22		3x114x108	

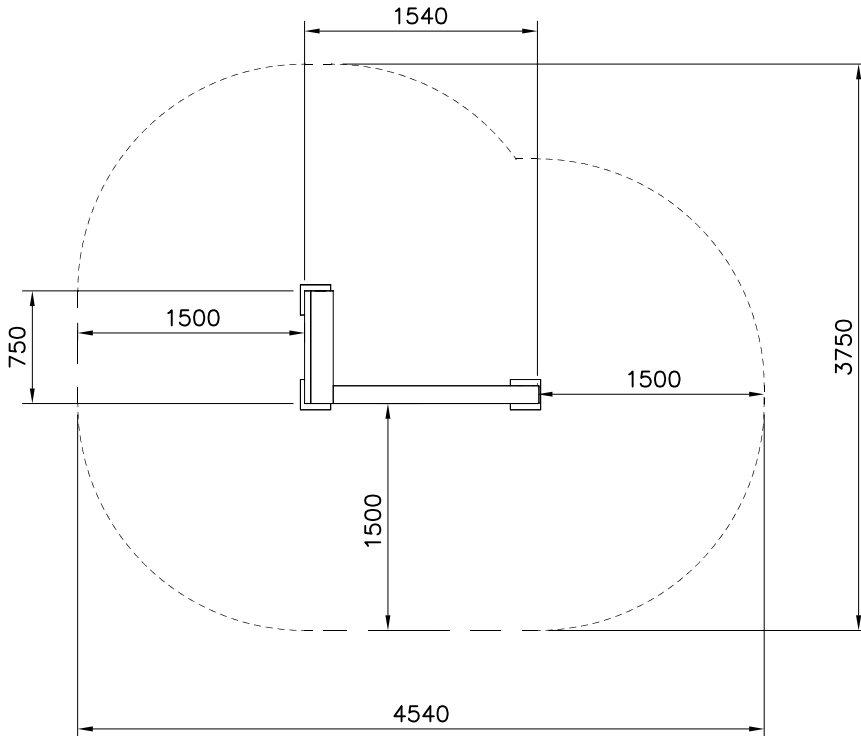
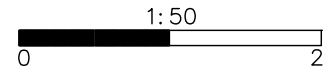
⑮ 910266	PCS	⑯ 708732	PCS
	2		1
90x108x118		15x466x745	

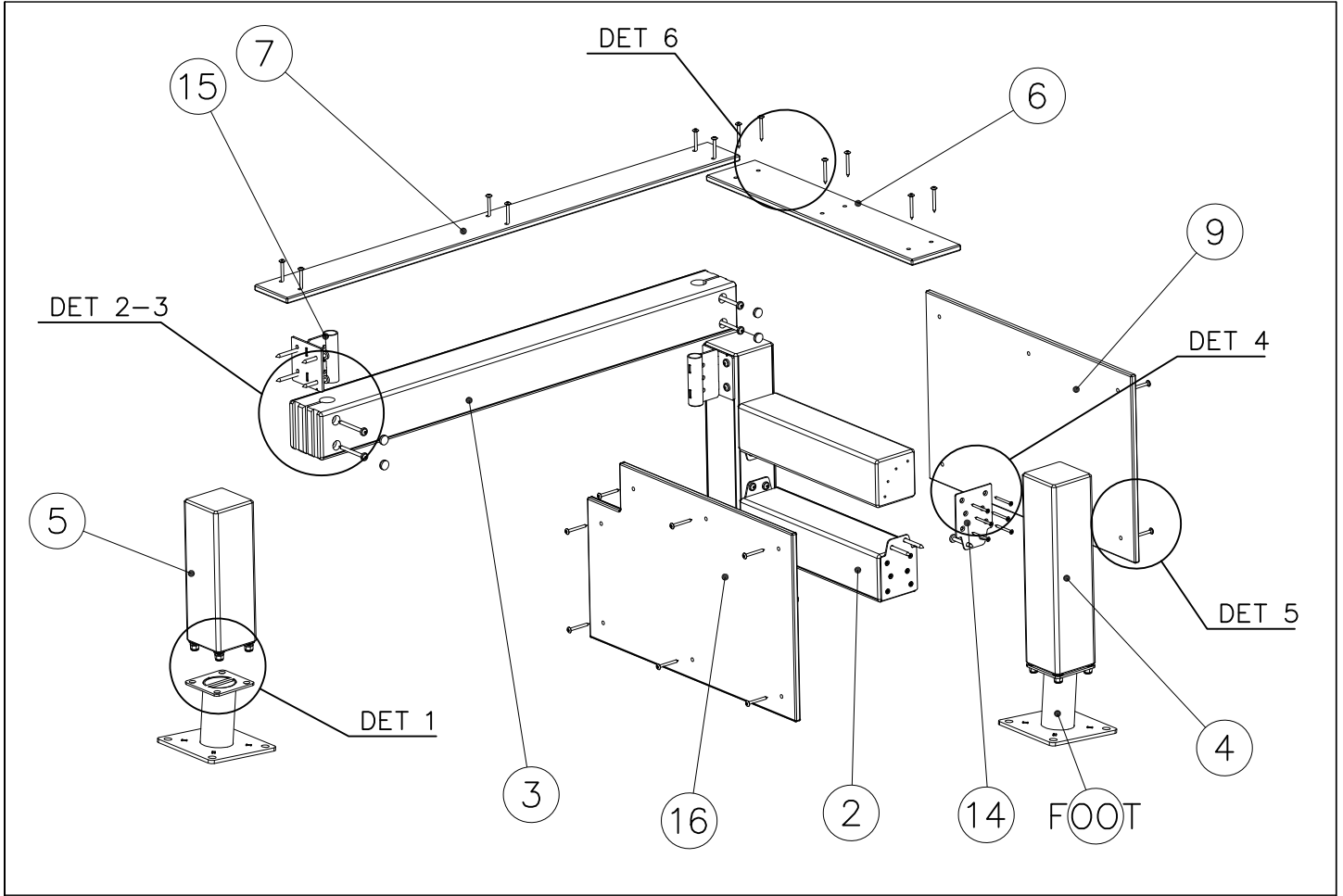
17	980100	PCS	18	980114	PCS	19	980123	PCS
		28			4			25
								
Ø5x60			Ø4x20			Ø7x60		

FOOT OPTIONS

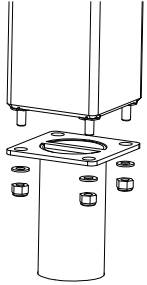
709261+		709262+	
910267	PCS	910567	PCS
SURFACE	3	CONCRETE	3
			
152x200x200		117x117x715	

----- Falling Space 13.8 m²
Max Falling Height 650 mm

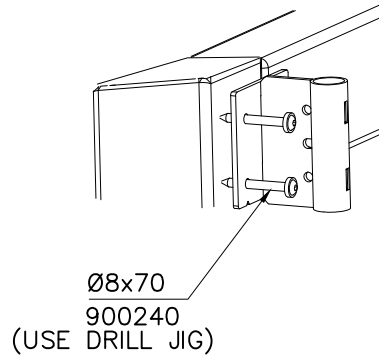




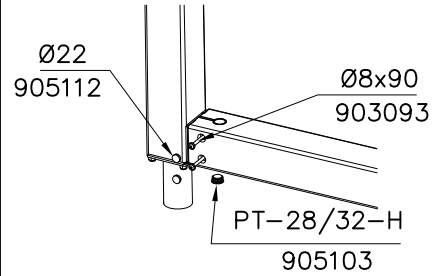
DET 1



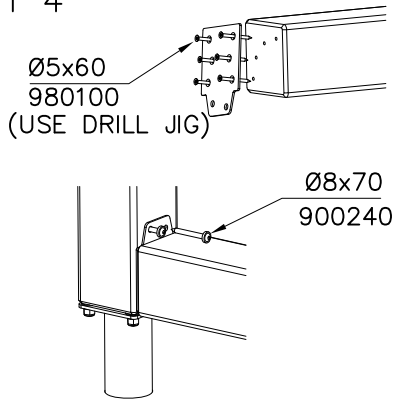
DET 2



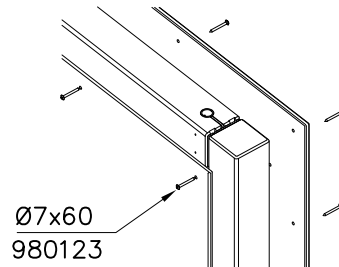
DET 3



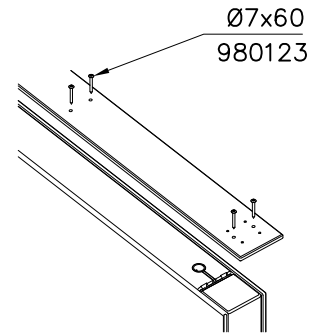
DET 4



DET 5

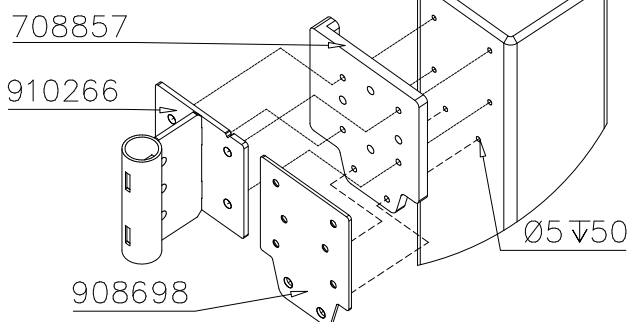


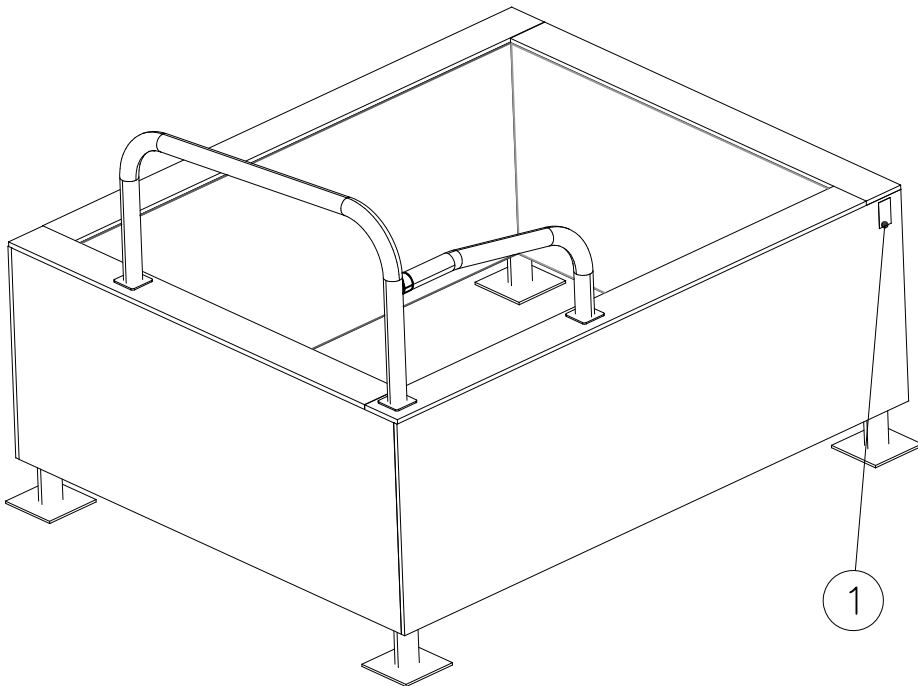
DET 6



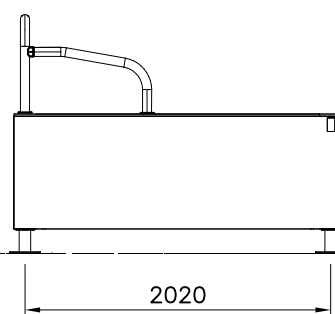
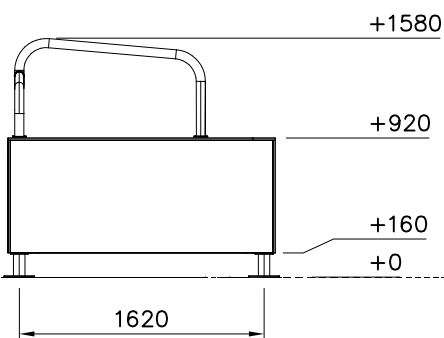
JIG DET A (USE DET 2-4)

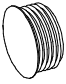

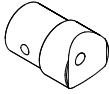



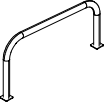
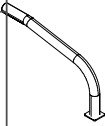
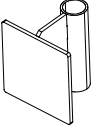


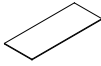
NOTE:
Use drill jig 708857
to predrill Ø5 ∇ 50
holes for 910266
and 908698



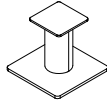
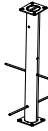


① 702341 90x50	PCS 1	② 707213 118x118x1490	PCS 4
③ 707517 118x118x1892	PCS 4	④ 708137 118x118x745	PCS 4
⑤ 708836 15x745x1736	PCS 2	⑥ 708837 15x745x2168	PCS 2
⑦ 708839 15x745x1897	PCS 1	⑧ 708840 15x148x2018	PCS 2
⑨ 708841 15x148x1616	PCS 2	⑩ 708857 JIG 20x133x149	PCS 1
⑪ 980154 Ø24/13	PCS 1	⑫ 900240 Ø8x70	PCS 64
⑬ 900965 M10	PCS 1	⑭ 903093 Ø8x90	PCS 44
⑮ 903533 SRL12	PCS 4	⑯ 904133 M10x80	PCS 1

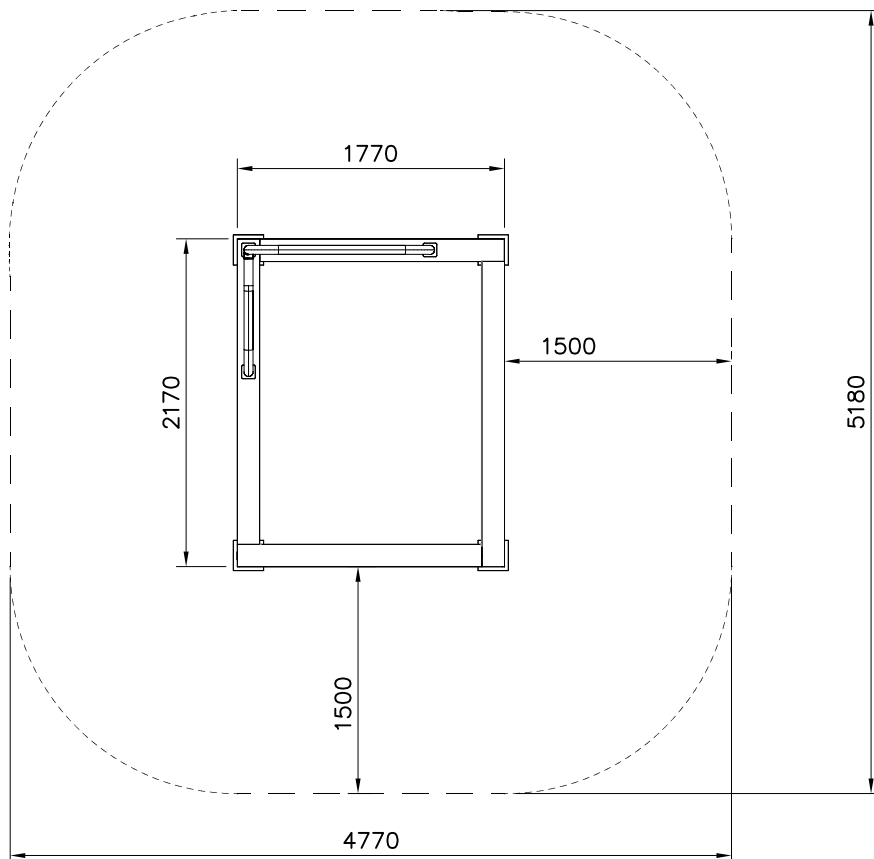
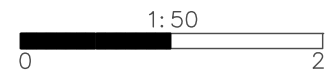


<p>⑰ 905103</p>  <p>PCS 16</p> <p>PT-28/32-H</p>	<p>⑱ 905112</p>  <p>PCS 32</p> <p>Ø22</p>	<p>⑲ 908069</p>  <p>PCS 1</p> <p>Ø60x87.6</p>	<p>⑳ 909111</p>  <p>PCS 1</p> <p>M12x100</p>	<p>㉑ 909248</p>  <p>PCS 1</p> <p>M12</p>	<p>㉒ 909638</p>  <p>PCS 4</p> <p>Ø20/10.5</p>
<p>㉓ 910254</p>  <p>PCS 1</p> <p>Ø60x650x1290</p>	<p>㉔ 910262</p>  <p>PCS 1</p> <p>Ø60x435x795</p>	<p>㉕ 910266</p>  <p>PCS 16</p> <p>90x108x118</p>	<p>㉖ 980123</p>  <p>PCS 108</p> <p>Ø7x60</p>	<p>㉗ 911288 COLOR</p>  <p>PCS 2</p> <p>15x745x1465</p>	<p>㉘ 911289 COLOR</p>  <p>PCS 1</p> <p>15x745x1897</p>

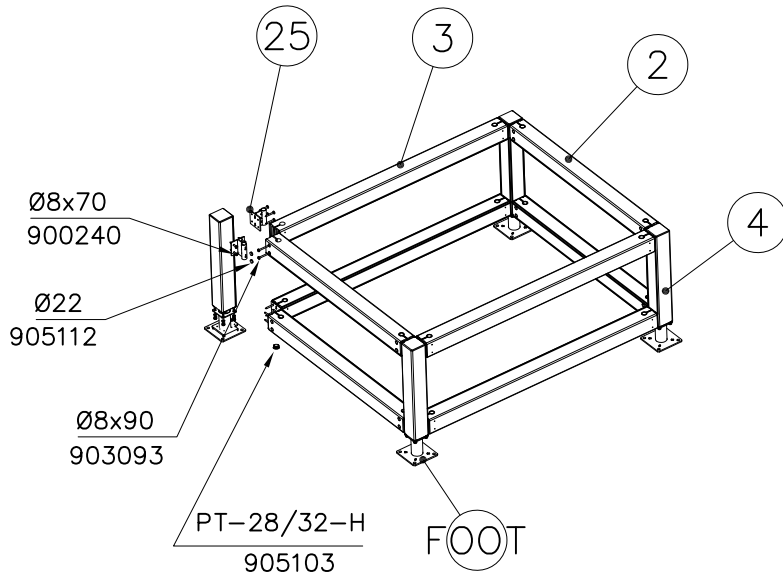
FOOT OPTIONS

<p>709261+</p> <p>○ 910330 SURFACE</p>  <p>PCS 4</p> <p>152x200x200</p>	<p>709262+</p> <p>○ 910567 CONCRETE</p>  <p>PCS 4</p> <p>117x117x715</p>
---	--

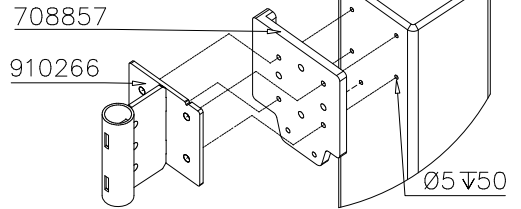
----- Falling Space 22.7 m²
Max Falling Height 1580 mm



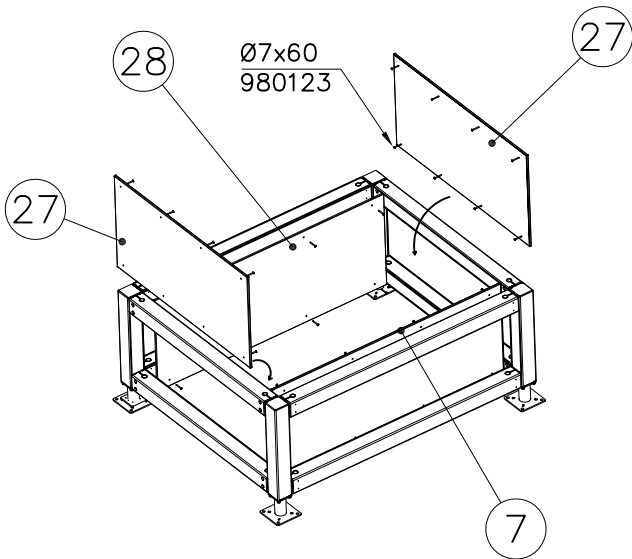
DET 1



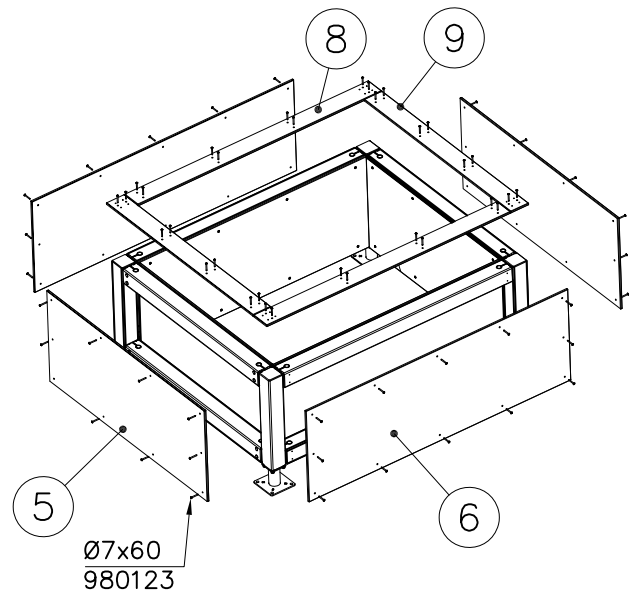
NOTE:
Use drill jig 708857
to predrill Ø5∇50
holes for 910266



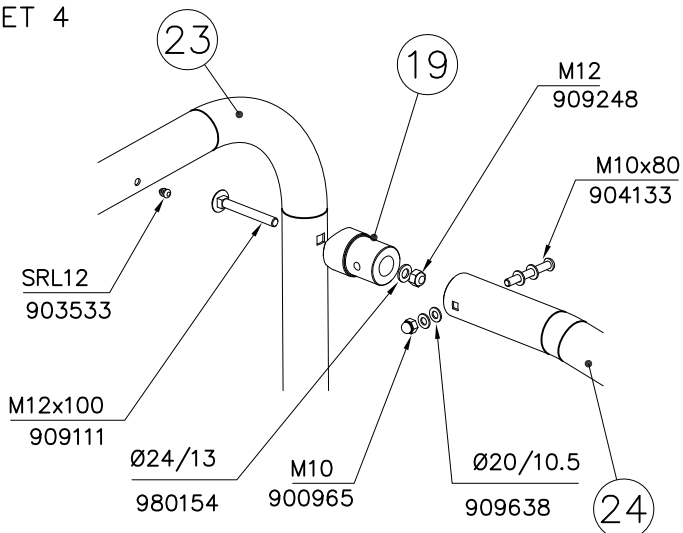
DET 2



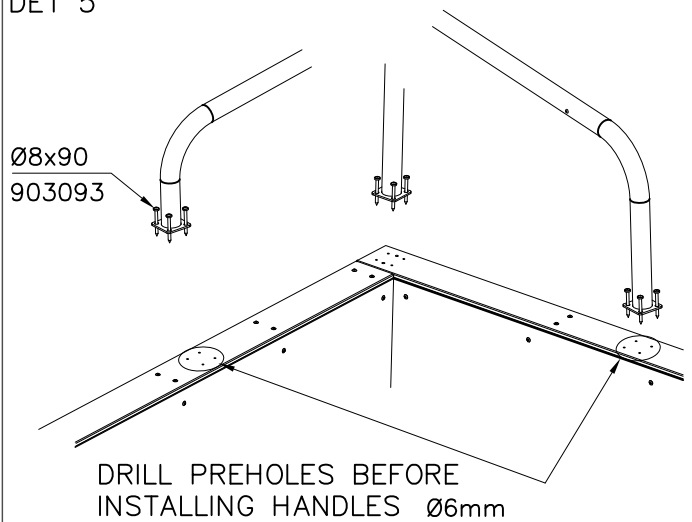
DET 3

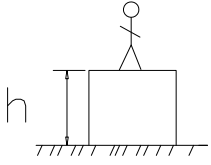


DET 4



DET 5





$h < 1600$

Totally hard surfaces or materials with very limited impact attenuating properties.

Case by case risk assessment is needed including e.g. evaluation whether there is forced movement, what is the intended exercise and where will the product be installed.

Materials with significant impact attenuating properties.

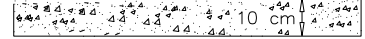
Totally hard surfaces.
E.g. concrete or asphalt



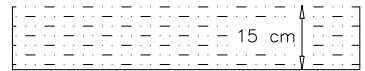
Materials with very limited impact attenuating properties.
E.g. wood



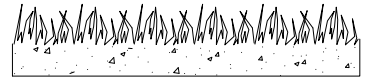
fine gravel 0–8 mm



Unsorted sand/ topsoil



Lawn

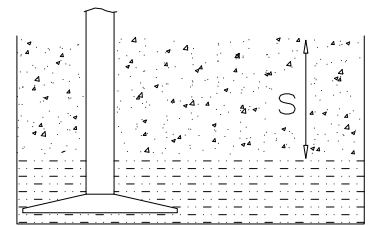


$h = 1600-$

$h < 3000$

Loose fill material

E.g.
sand/gravel 0,25...8 mm $D_{60}/D_{10} < 3,0$
Woodchips 5...30 mm
bark 20...80 mm



$\frac{S}{30 \text{ cm}}$ $\frac{h}{< 3,0 \text{ m}}$

Synthetic granulates

$\frac{S}{\text{mm}}$	$\frac{h}{\text{m}}$
40 mm	$\sim > 1,6... \sim < 1,8$ m
50 mm	$\sim > 1,8... \sim < 2,25$ m
55 mm	$\sim > 2,25... \sim < 2,4$ m
60 mm	$\sim > 2,4... \sim < 2,55$ m
70 mm	$\sim > 2,55... \sim < 3,0$ m

Note. For accurate values, see manufacturer's instructions.

