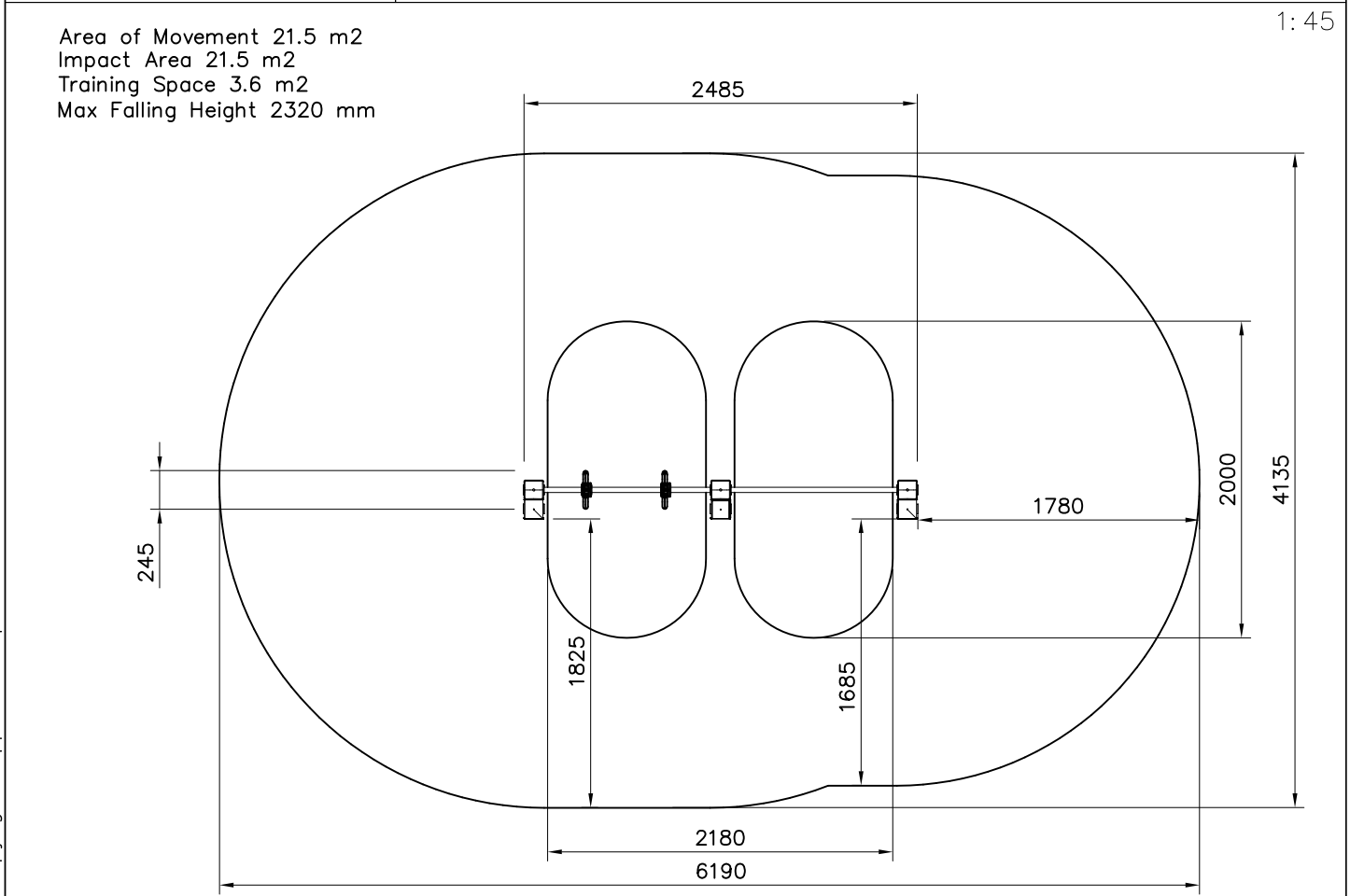
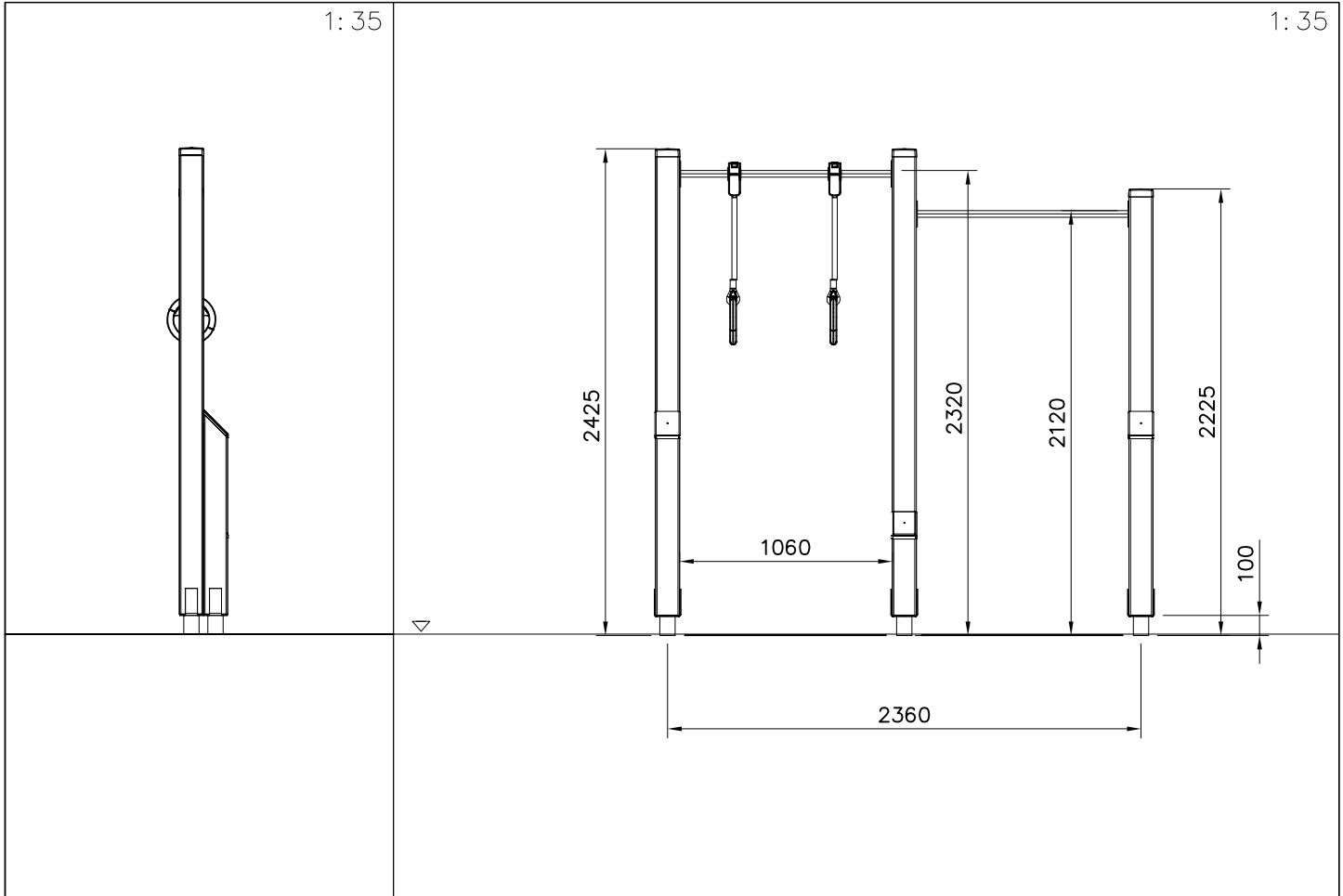




(1) 706030	PCS	(2) 705231	PCS
	1		1
		120x120x2290	
(3) 705335	PCS	(4) 705388	PCS
	2		1
120x120x1000		120x120x2090	
(5) 705402	PCS	(6) 705405	PCS
	1		1
120x120x2290		120x120x500	
(7) 705406	PCS	(8) 902195	PCS
	1		4
126x181x18		150x50x50	
(9) 902232	PCS	(10) 902233	PCS
	2		2
M10x55		M10x30	
(11) 706088	PCS	(12) 905103	PCS
	1		7
		PT-28/32-H	
(13) 905104	PCS	(14) 905761	PCS
	24		6
M10		120x120x700	
(15) 905830	PCS	(16) 905838	PCS
	3		2
123x123x40		L=1060	
(17) 906583	PCS	(18) 909246	PCS
	2		7
126x181x14x3		M12x140	
(19) 980114	PCS	(20) 980100	PCS
	8		3
Ø4x20		Ø5x60	
(21) 980104	PCS	(22) 980123	PCS
	3		40
Ø5x90		Ø7x60	
(23) 980154	PCS	(24) 980161	PCS
	7		4
Ø24/13		M10	
(25) 705040	PCS	(26) 906006	PCS
	2		4
Ø16x764		Ø64/34,5x59	
(27) 909256	PCS		PCS
	40		40
Ø16/8.4			

PARTS DET 29
 PARTS DET 1
 PARTS DET 16
 705231
 25
 PARTS DET 43
 705335
 BASE
 DET 10-12
 OR 13-16
 905830
 905838
 705388
 906583
 PARTS DET 8
 PARTS DET 44
 705406
 081245
 705405



		
<p>$h < 600$</p> <p>Without movement and therefore without Impact Area</p>	<p>Totally hard surfaces.</p> <p>Note. Lappset does <u>not recommend</u> totally hard surfaces at all.</p>	<p>E.g. concrete or asphalt</p> 
<p>$h < 600$</p> <p>With movement e.g. rocking</p>	<p>Materials with very limited impact attenuating properties.</p>	<p>E.g. wood</p> 
<p>$h < 1000$</p>	<p>Materials with significant impact attenuating properties.</p>	<p>fine gravel 0–8 mm</p>  <p>grass</p>  <p>unsorted sand</p> 
<p>$h < 3000$</p>	<p>Loose fill material</p> <p>E.g. sand/gravel 0,25...8 mm D60/D10<3,0 Woodchips 5...30 mm bark 20...80 mm</p>	 <p>\underline{S} \underline{h}</p> <p>30 cm < 2,0 m</p> <p>40 cm < 3,0 m</p>
	<p>Syntethic granulates</p> <p>\underline{S} \underline{h}</p> <p>40 mm ~> 1,2...1,3 m</p> <p>50 mm ~> 1,5...1,7 m</p> <p>60 mm ~> 1,8...2,0 m</p> <p>70 mm ~> 2,1...2,5 m</p> <p>Note. For accurate values, see manufacturer's instructions.</p>	

REMOVE SAFETY SURFACE/SAND/GRAVEL
TO CHECK FOUNDATION



REMOVE SAFETY SURFACE/SAND/GRAVEL
TO CHECK FOUNDATION



DET 1



DET 2



DET 3



DET 4



DET 5

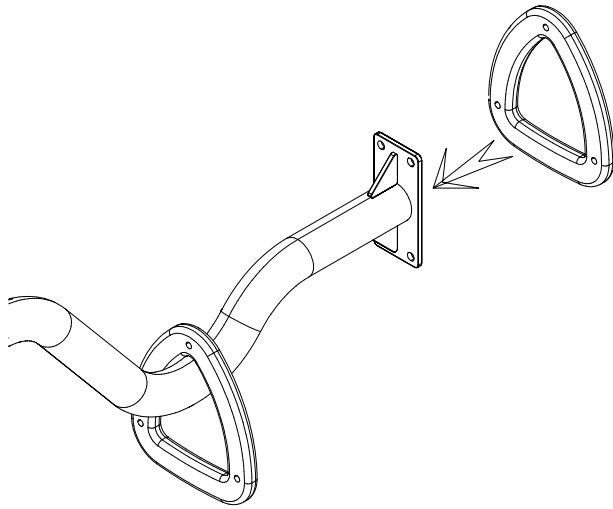


DET 6

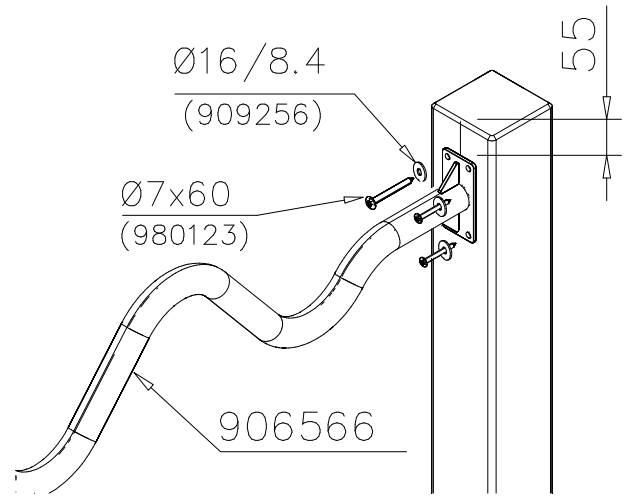




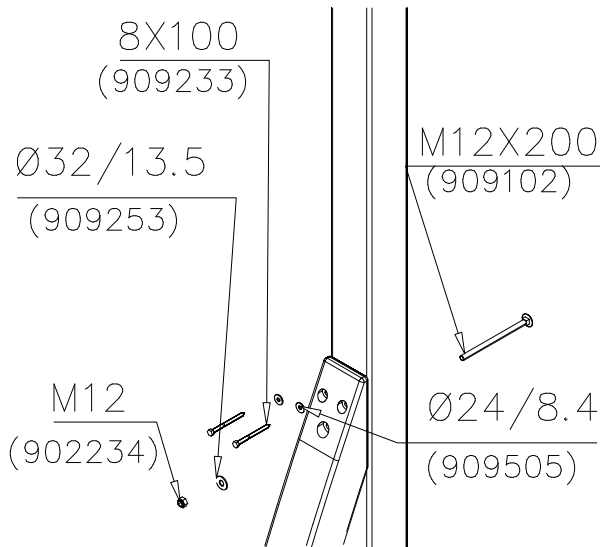
DET 13



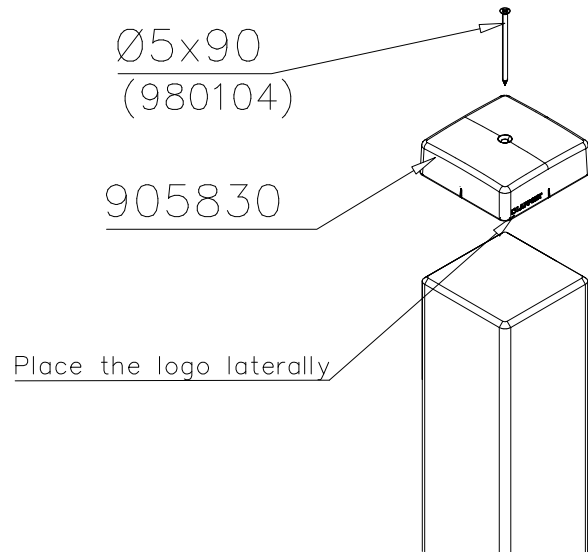
DET 14



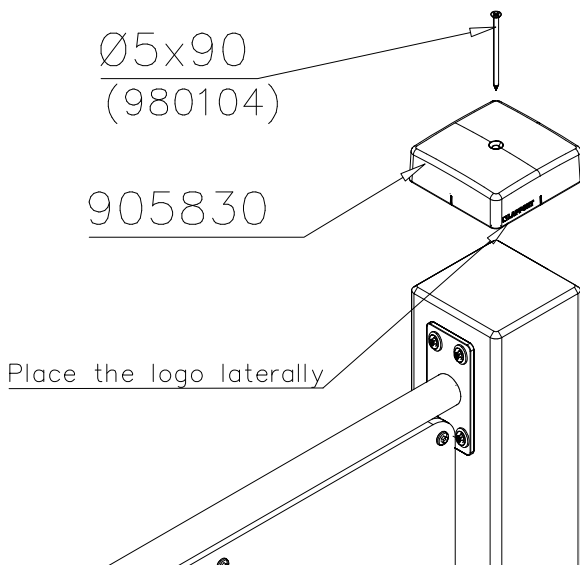
DET 15



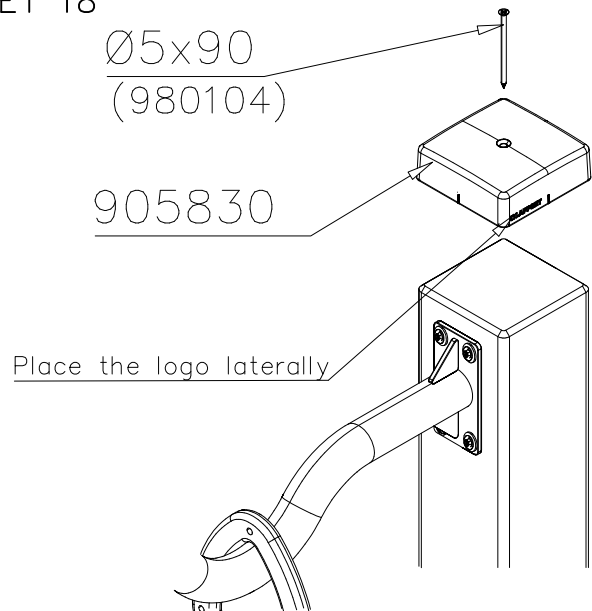
DET 16



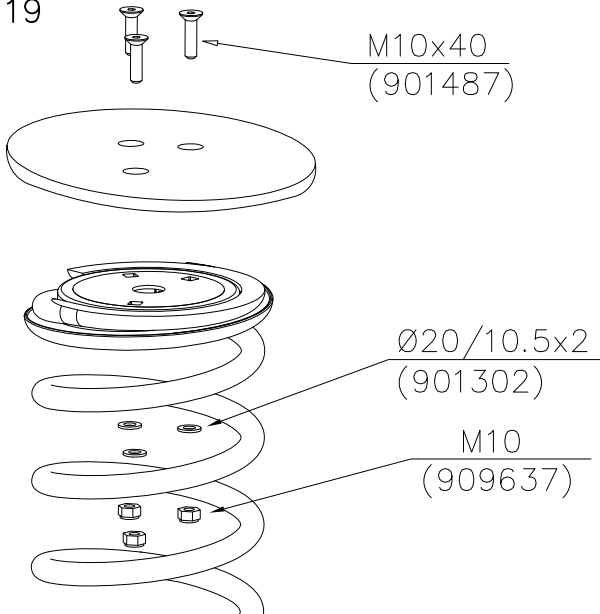
DET 17



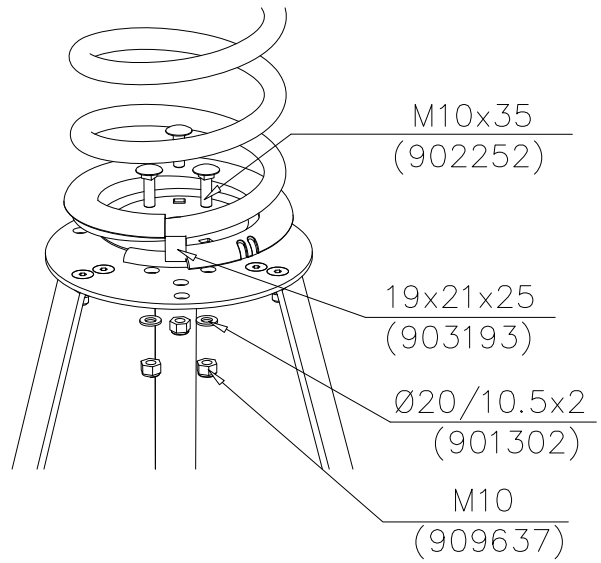
DET 18



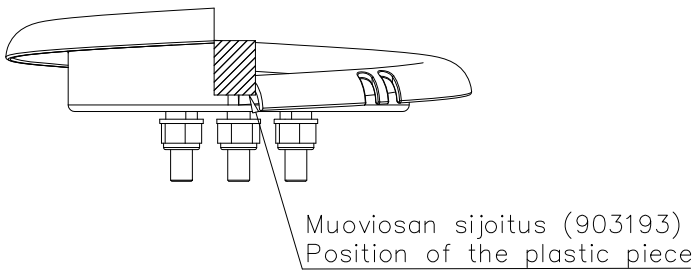
DET 19



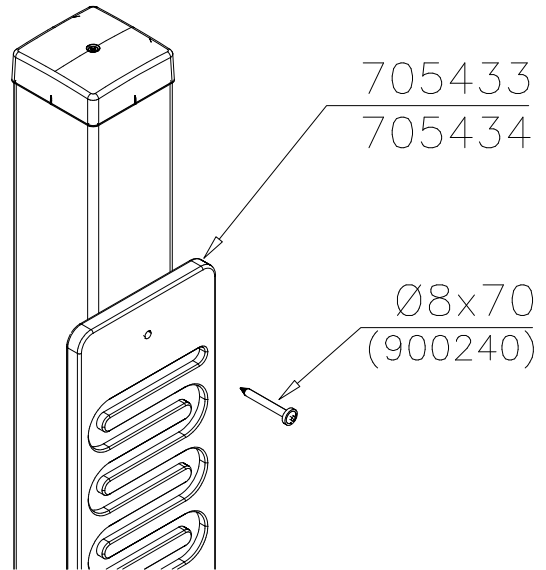
DET 20



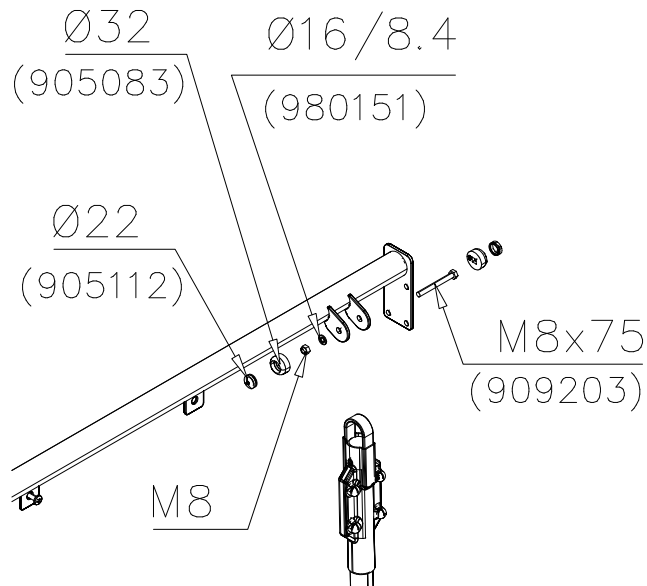
DET 21



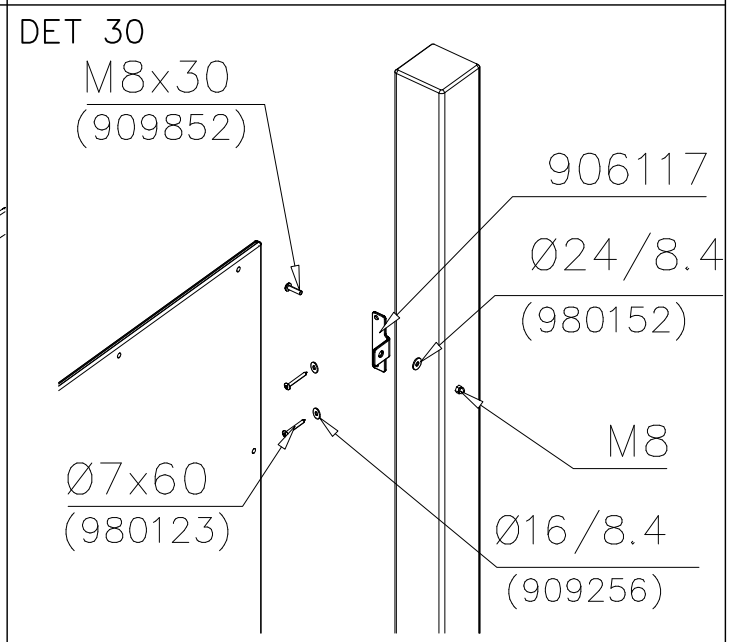
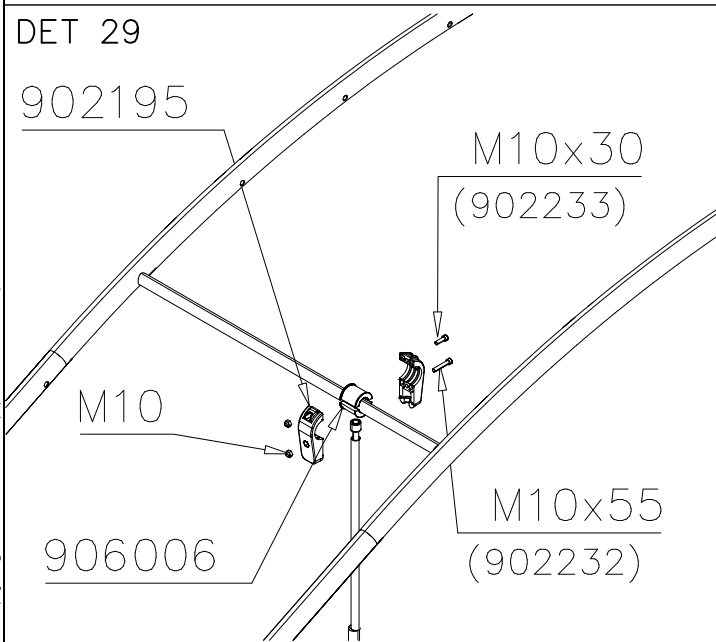
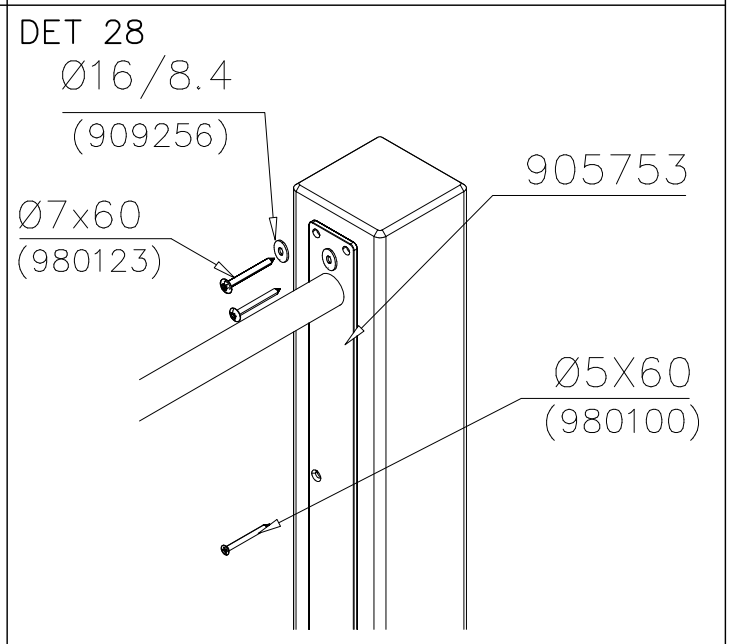
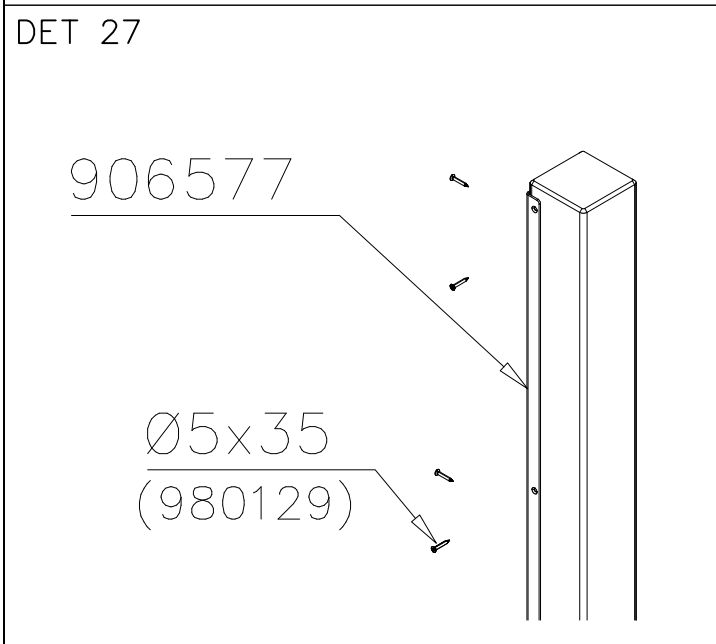
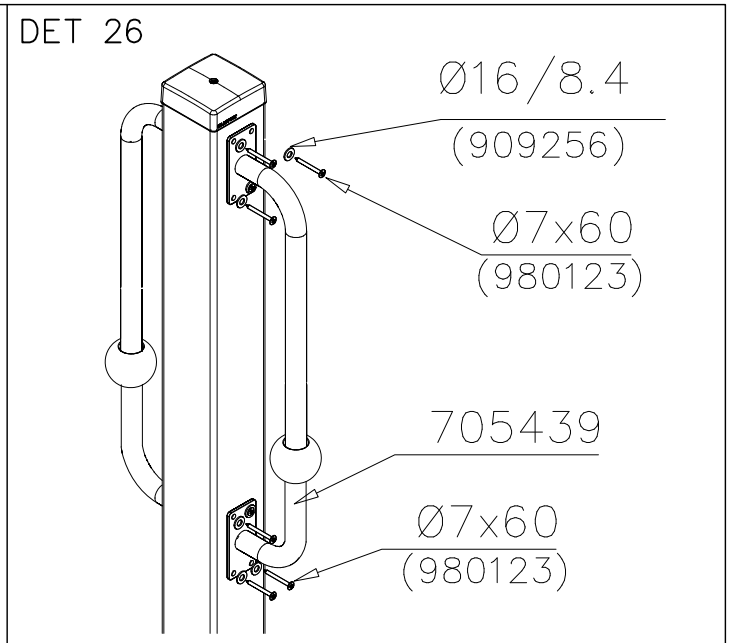
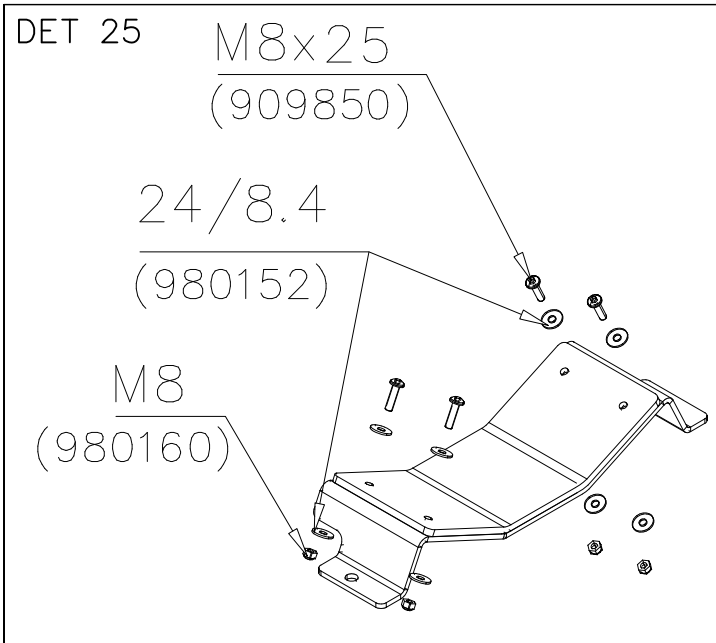
DET 22



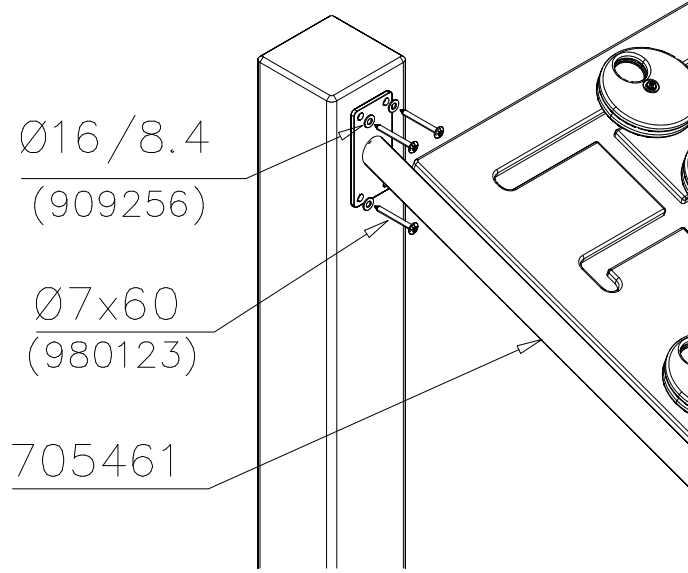
DET 23



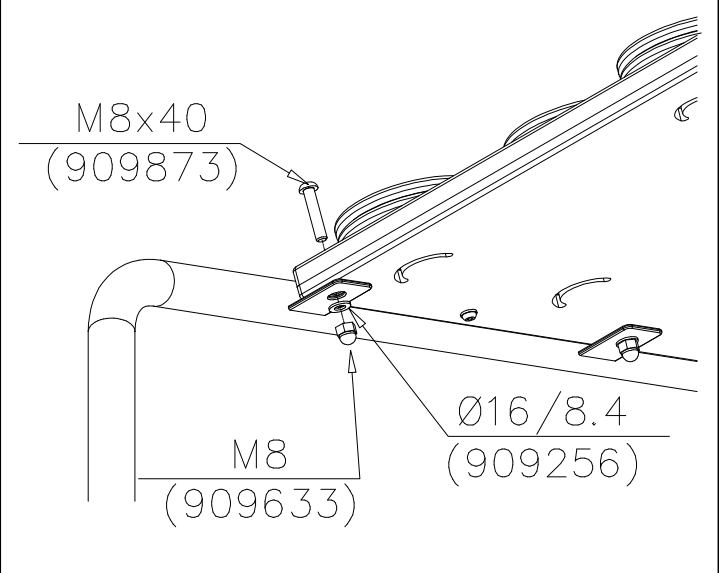
DET 24



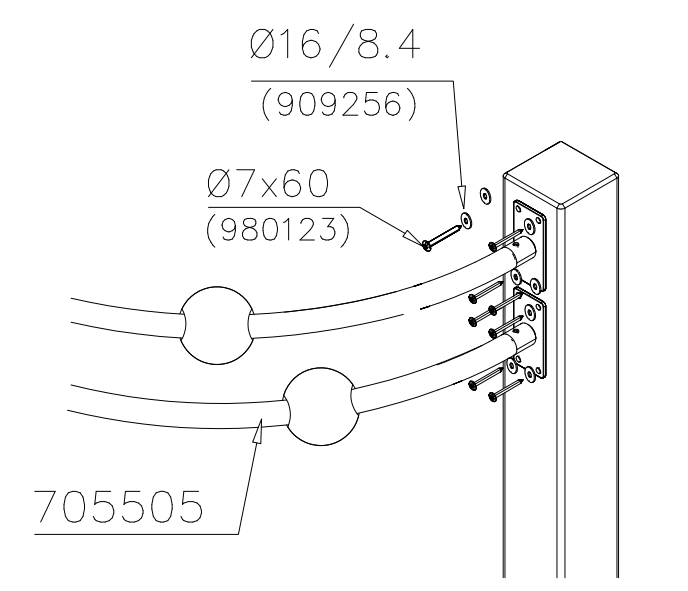
DET 31



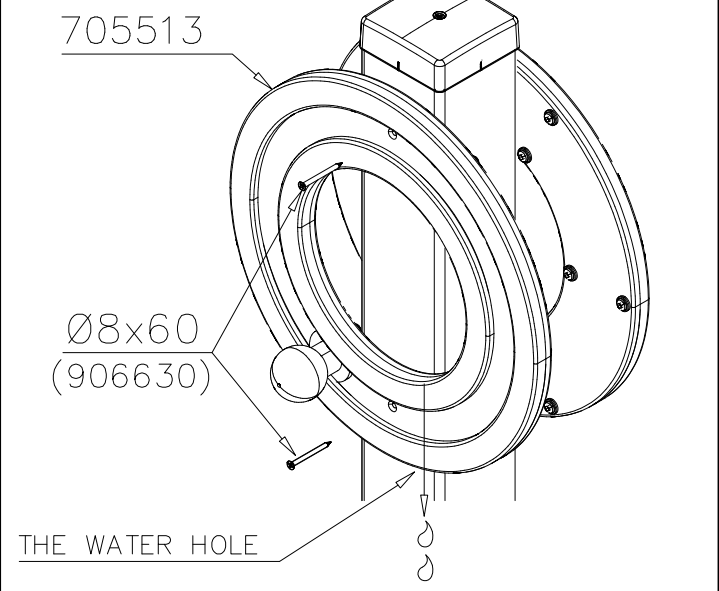
DET 32



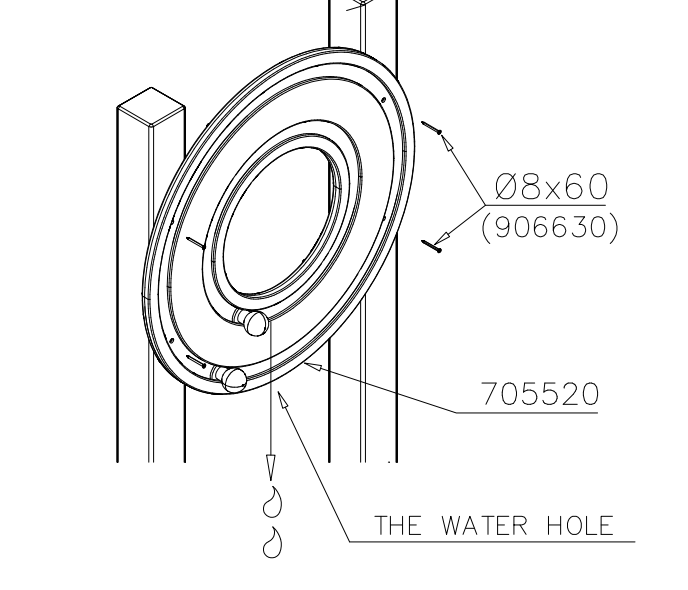
DET 33



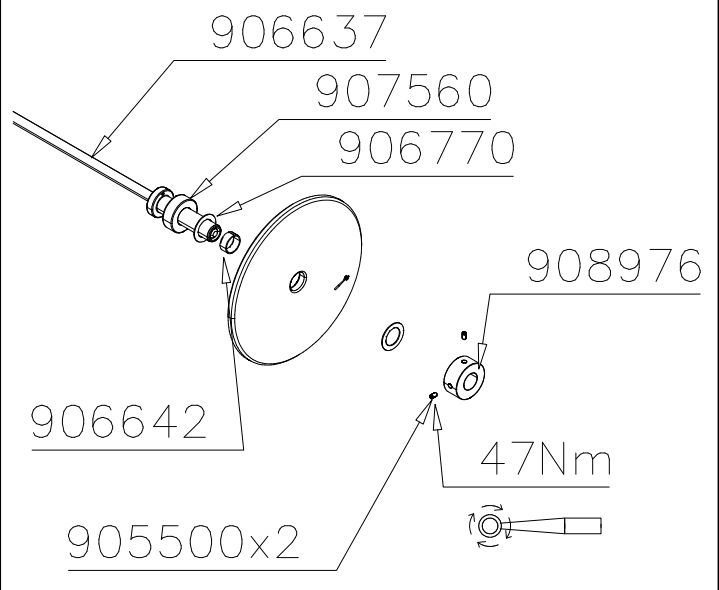
DET 34



DET 35



DET 36



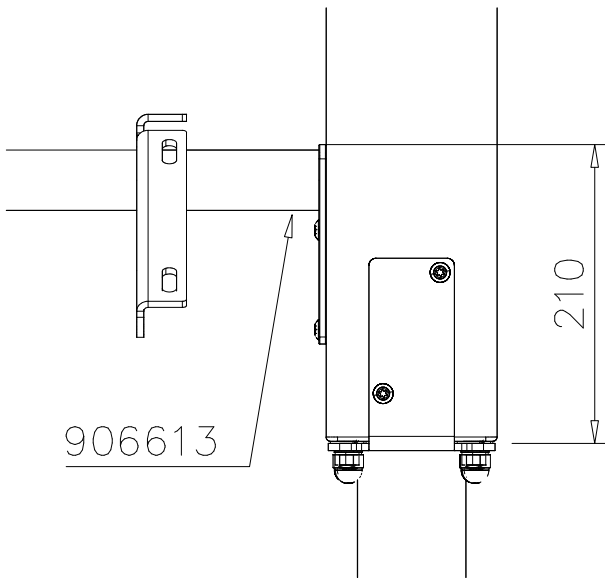
DET 37



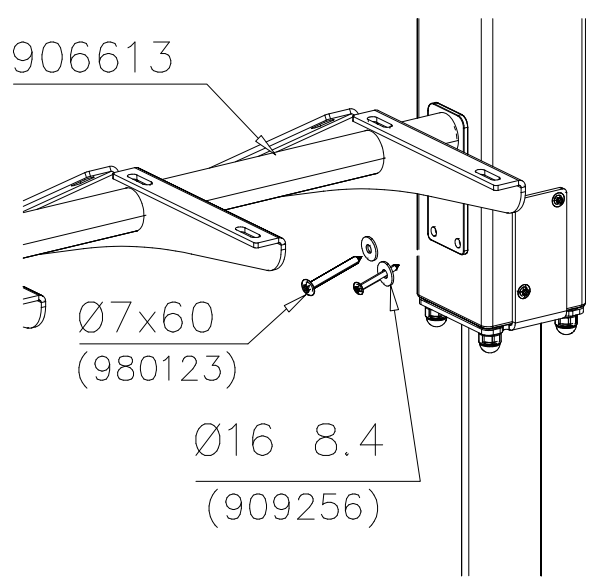
DET 38



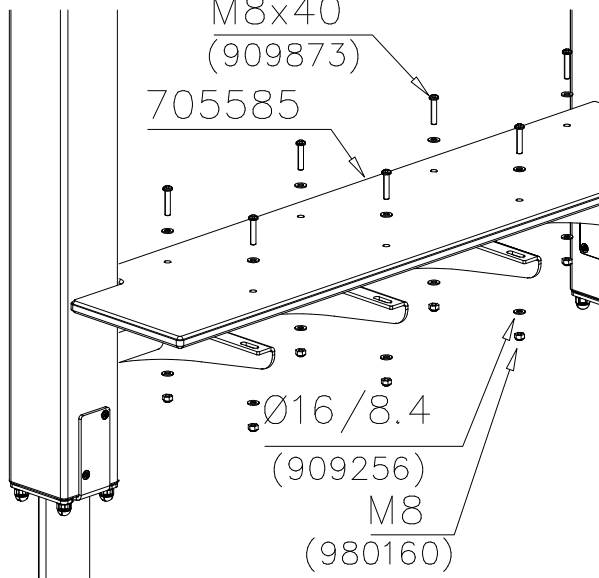
DET 39



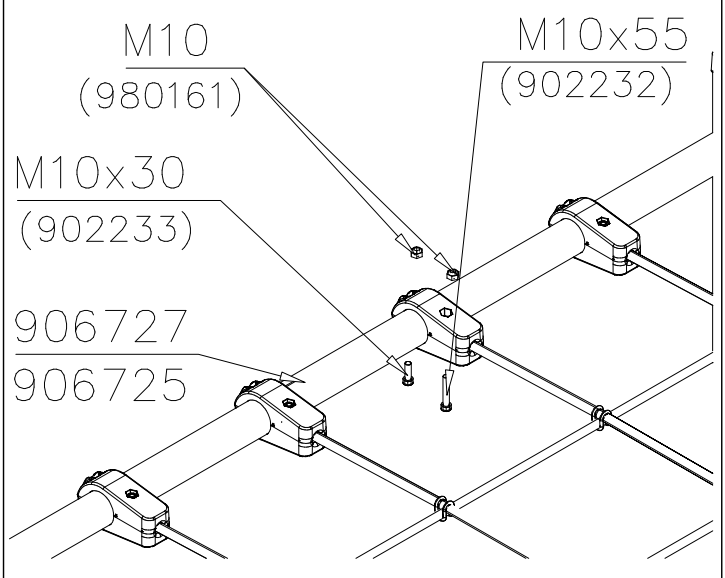
DET 40

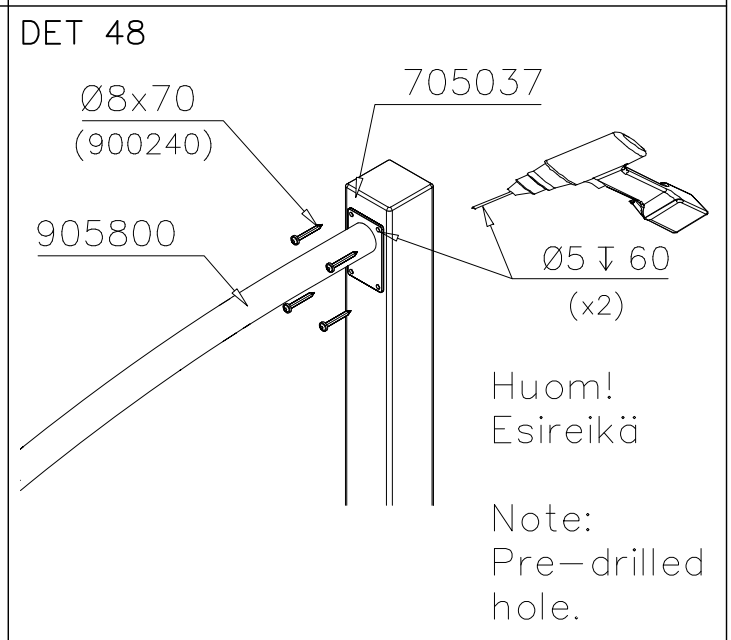
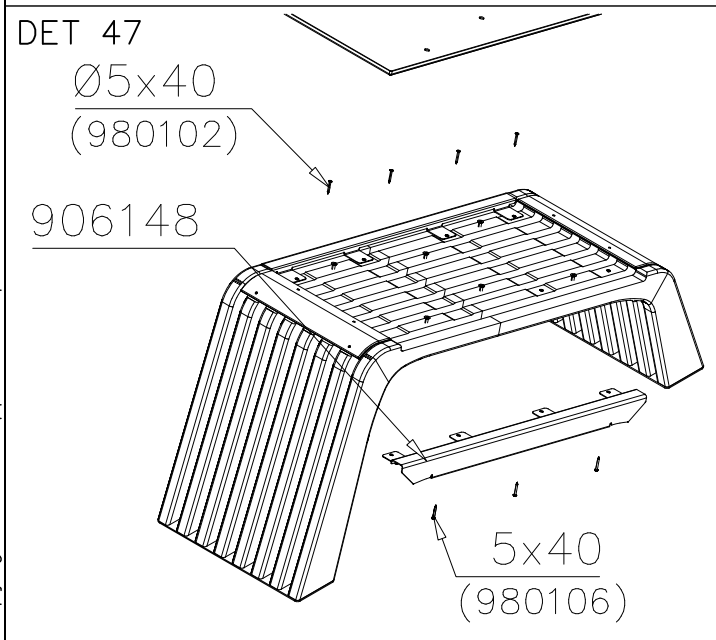


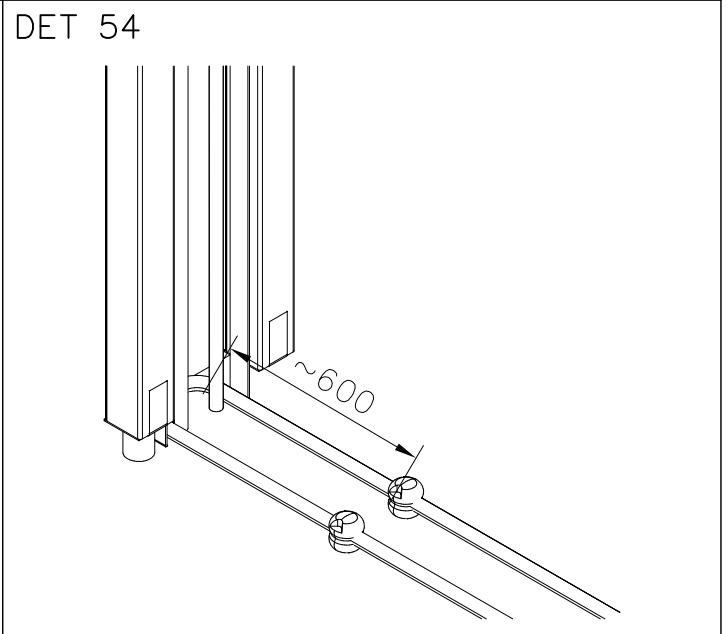
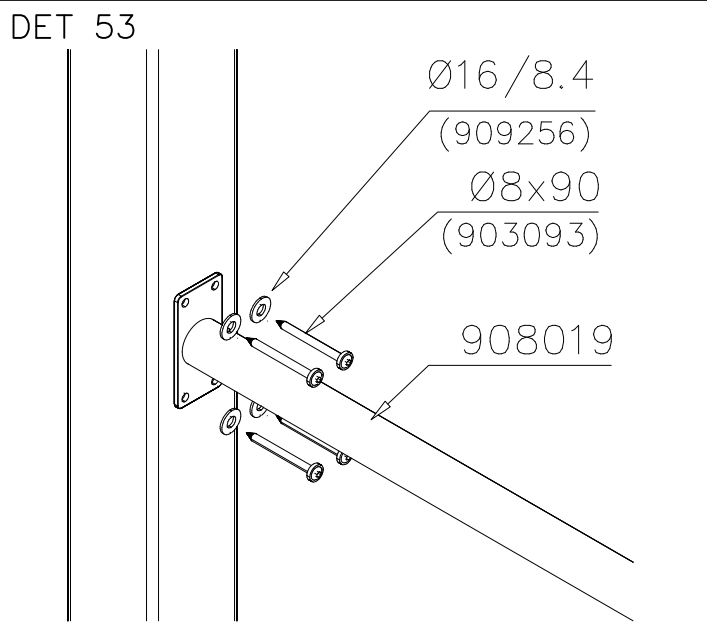
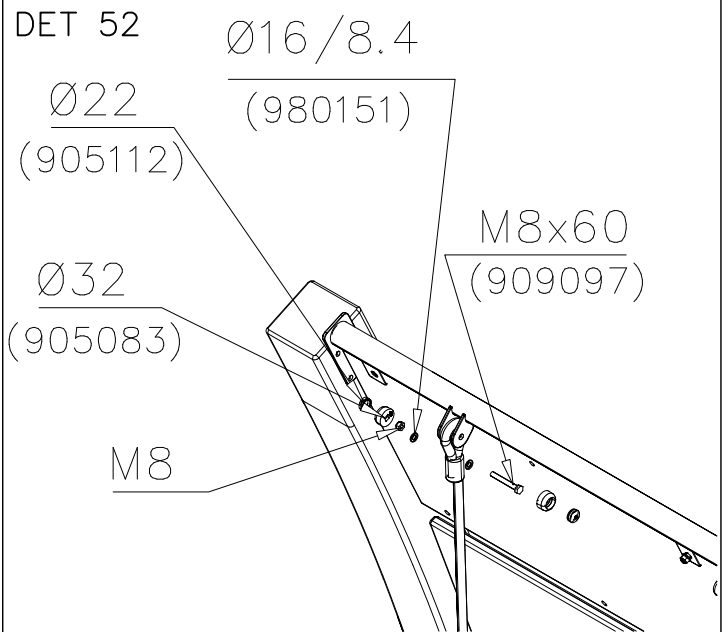
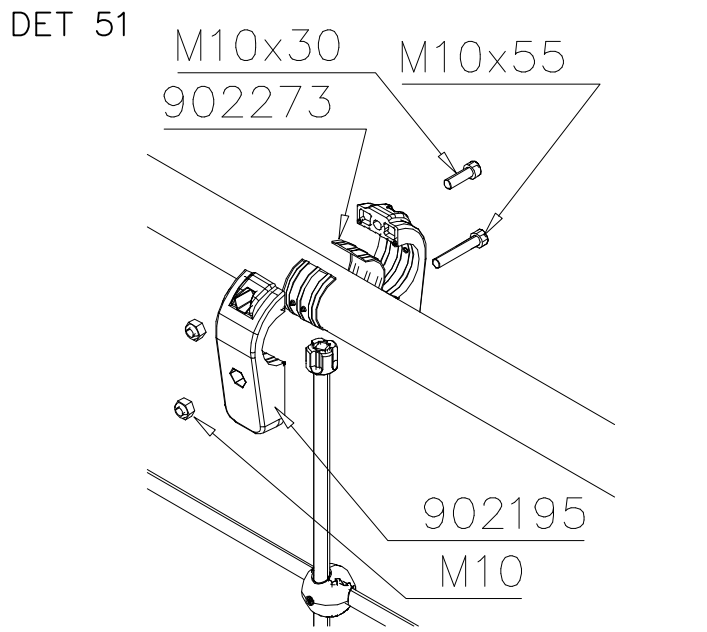
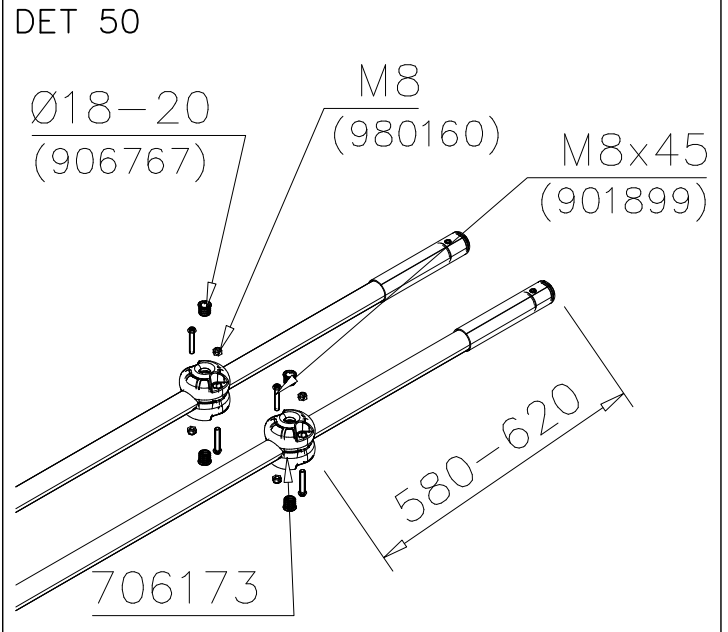
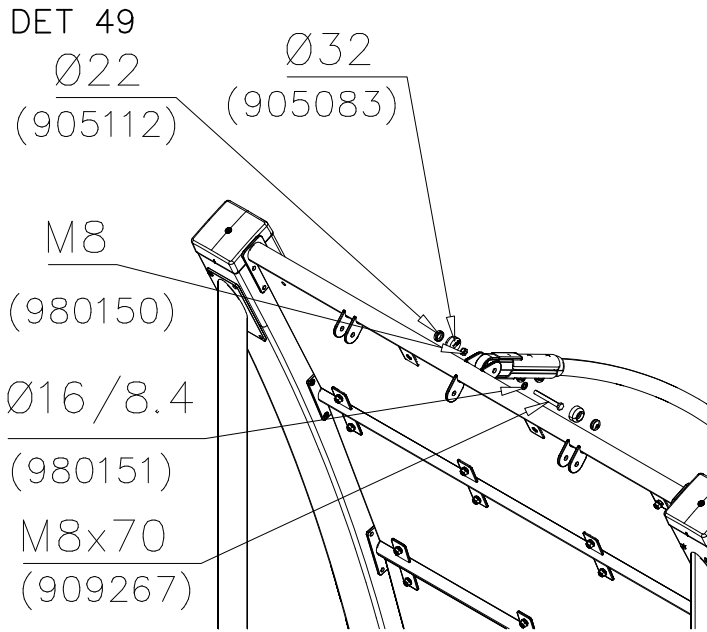
DET 41



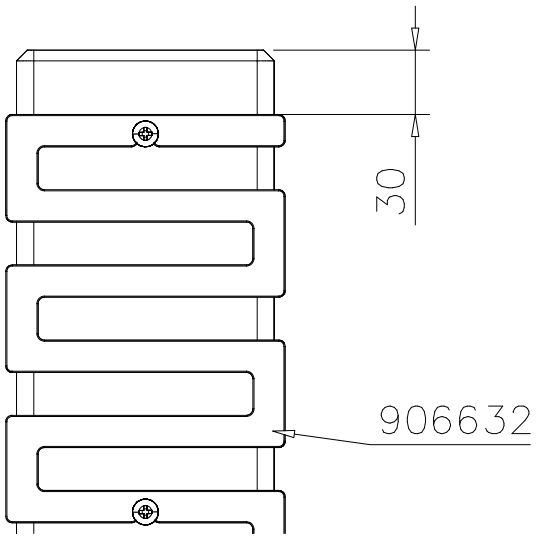
DET 42



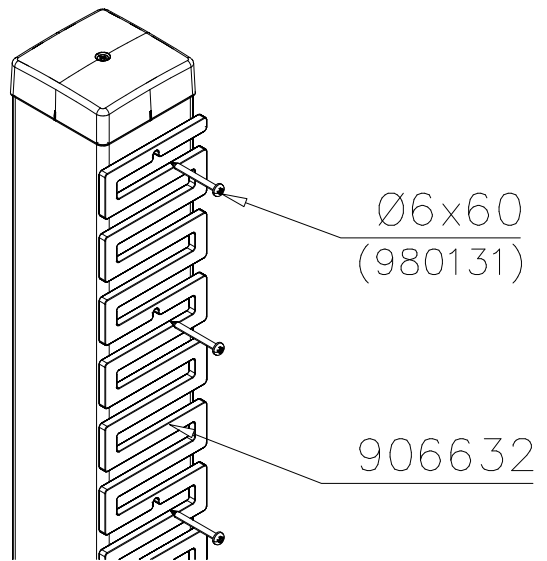




DET 55



DET 56



DET 57

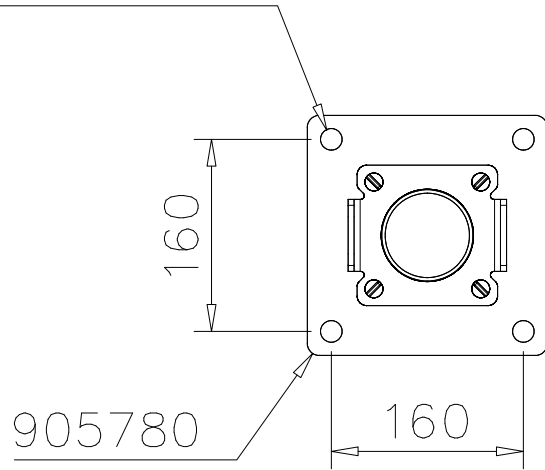
DET 58

DET 59

DET 60

DET 1

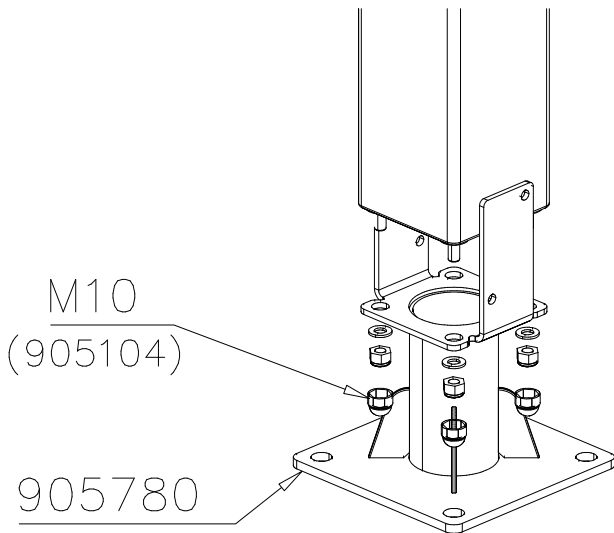
$\varnothing 16 \downarrow > 130$



DET 2



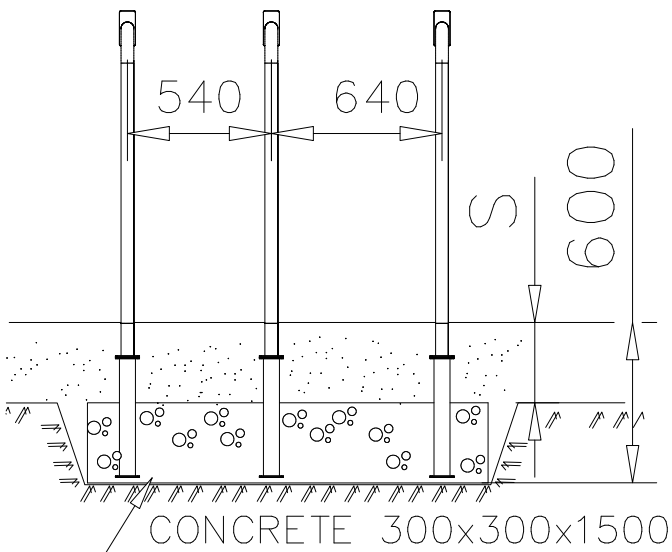
DET 3



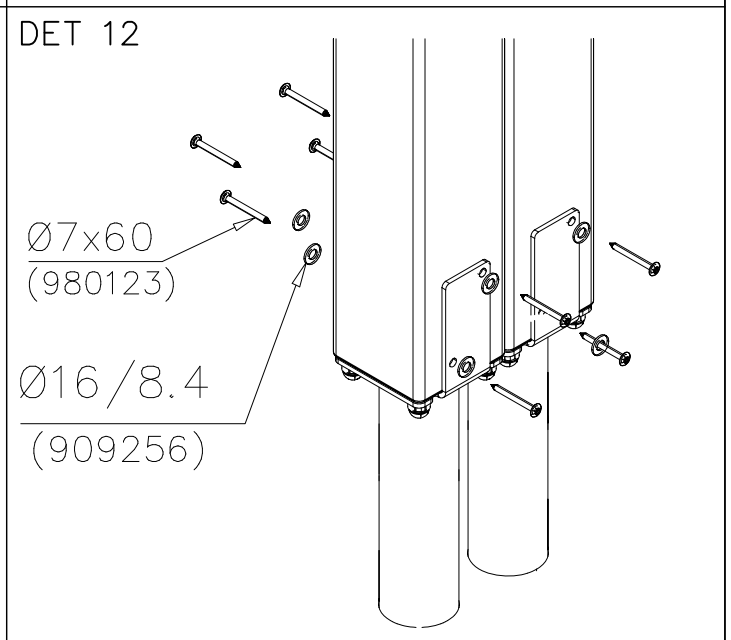
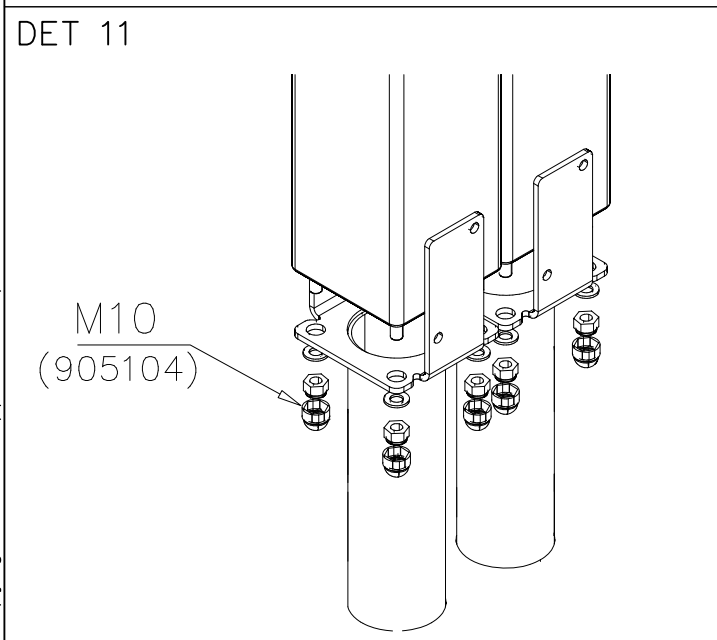
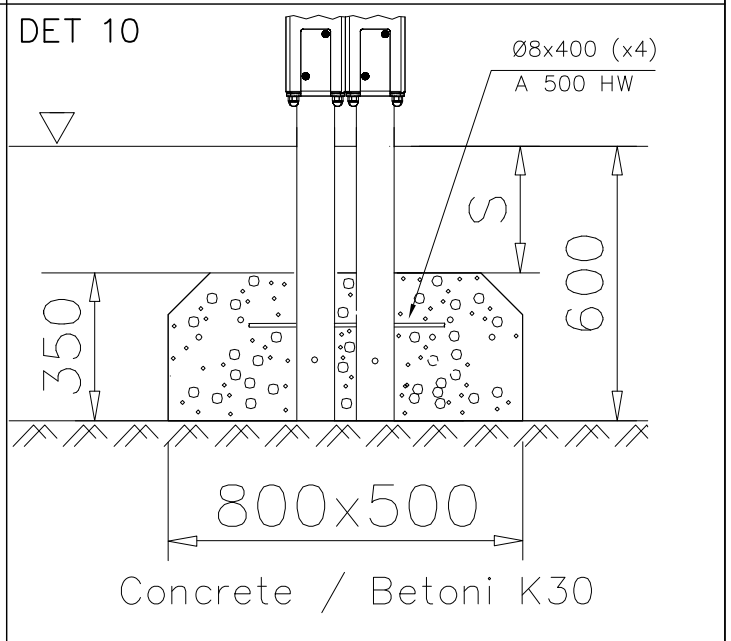
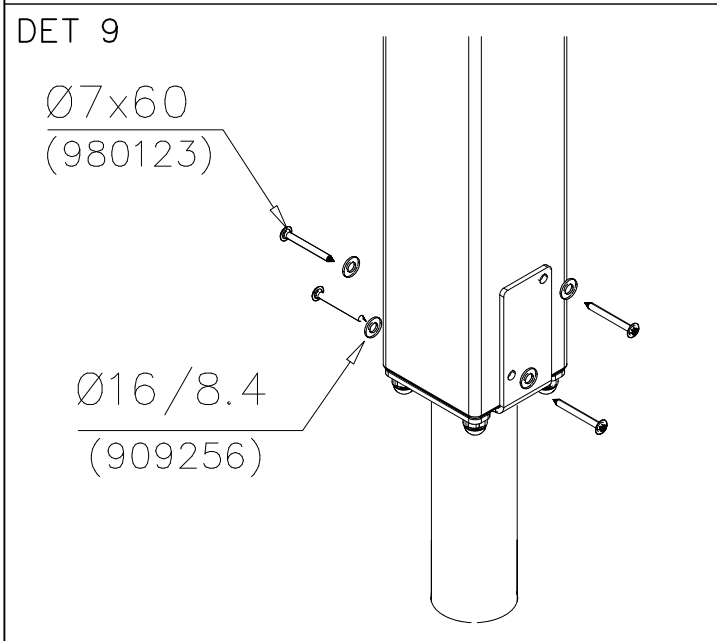
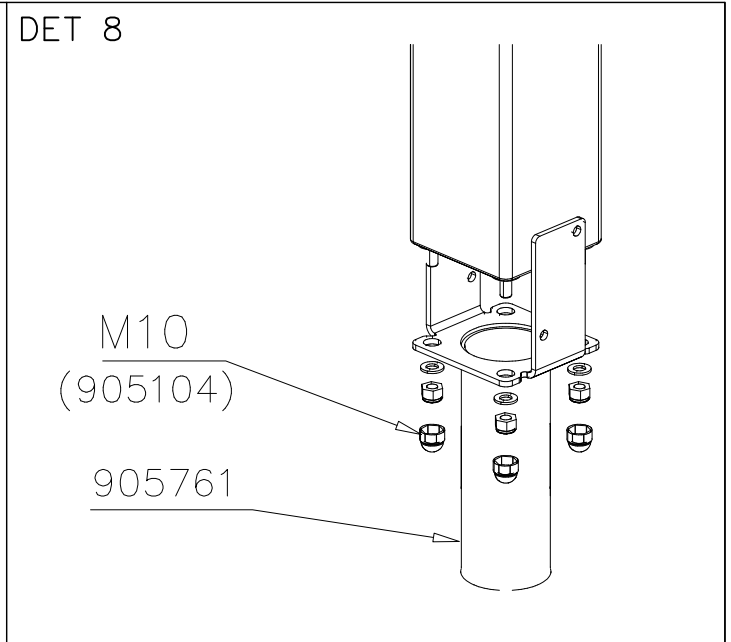
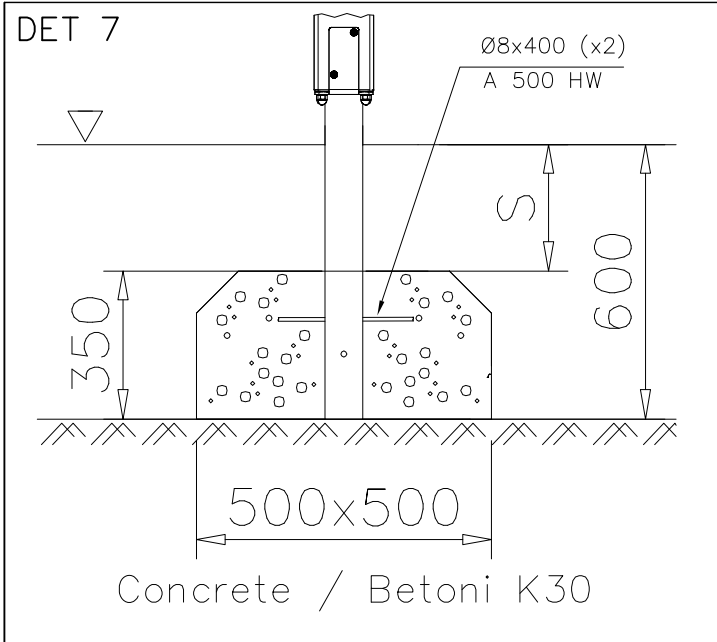
DET 4



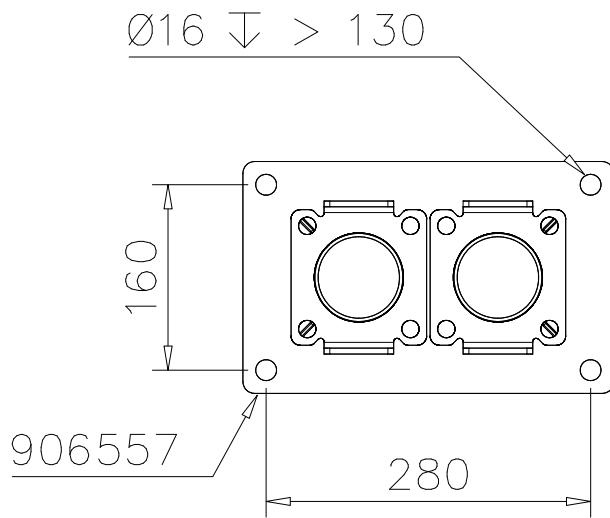
DET 5



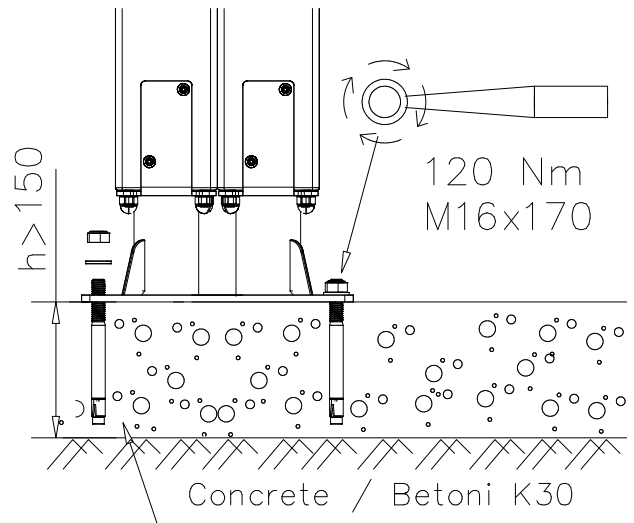
DET 6



DET 13



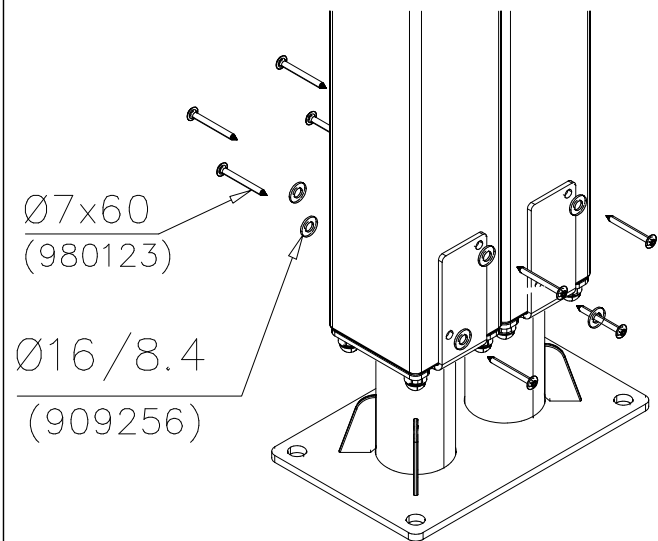
DET 14



DET 15

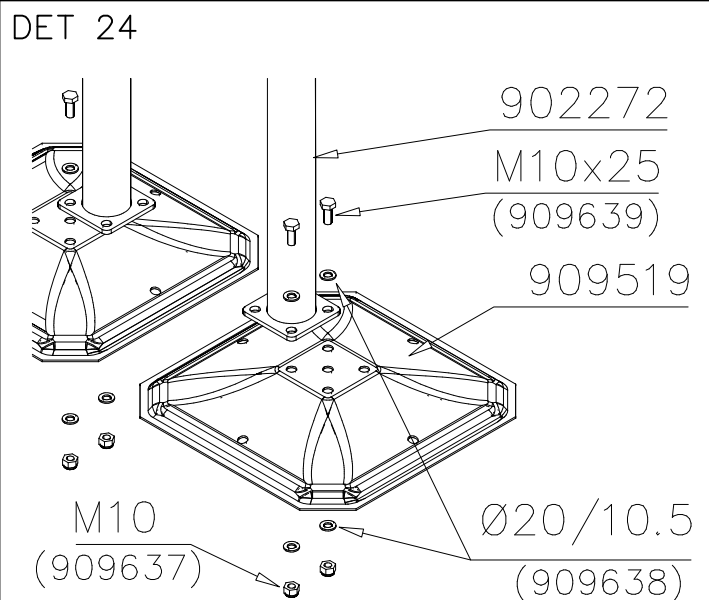
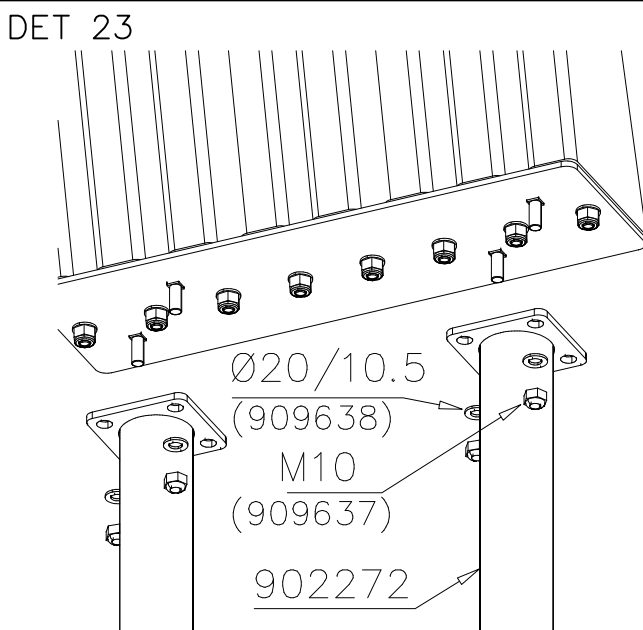
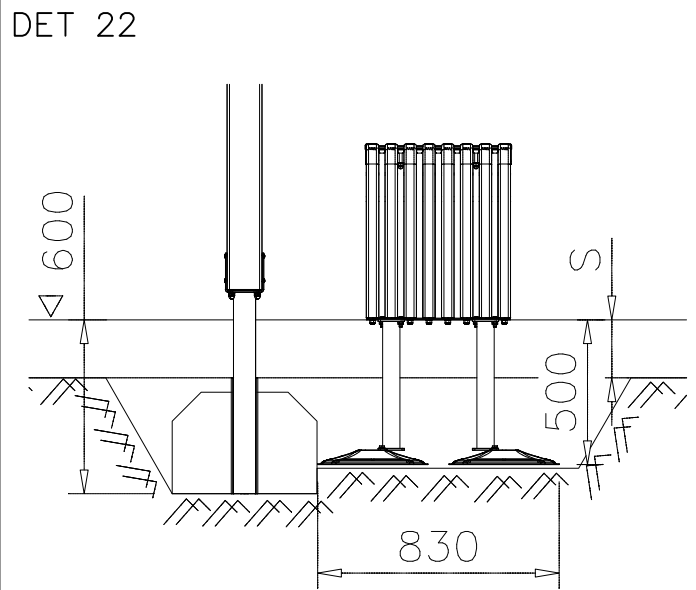
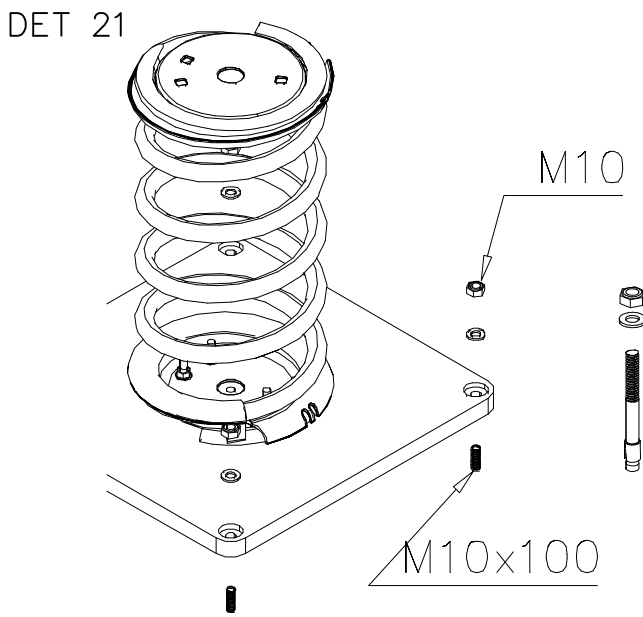
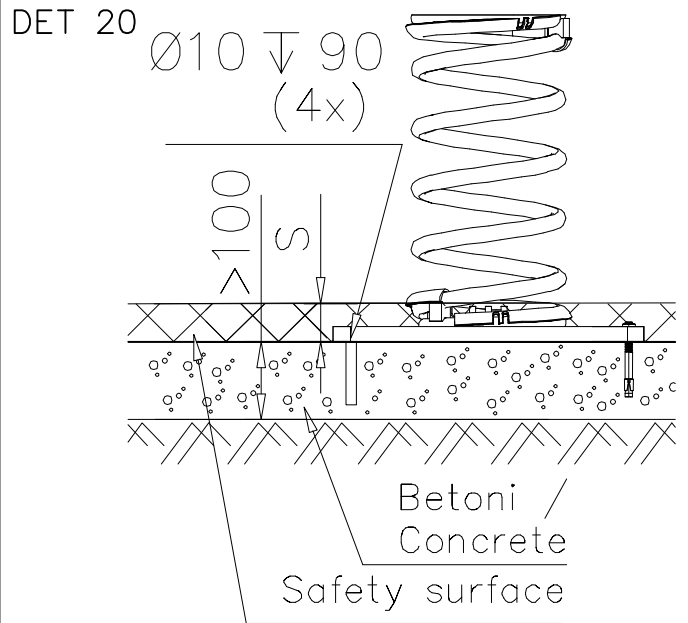
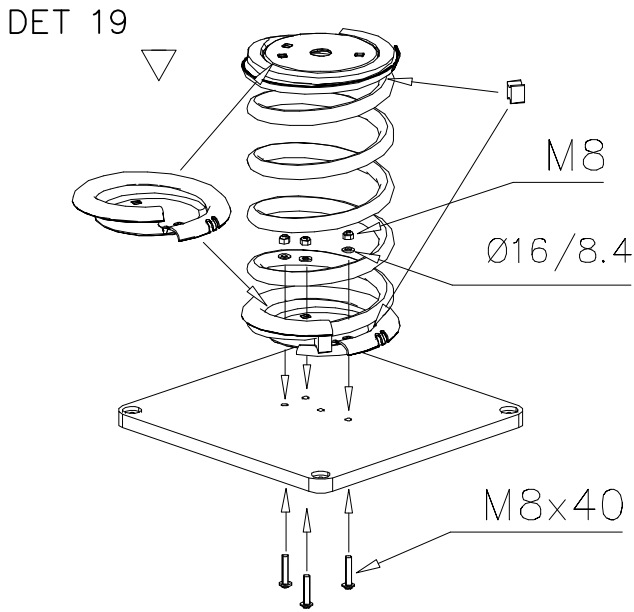


DET 16



DET 17

DET 18

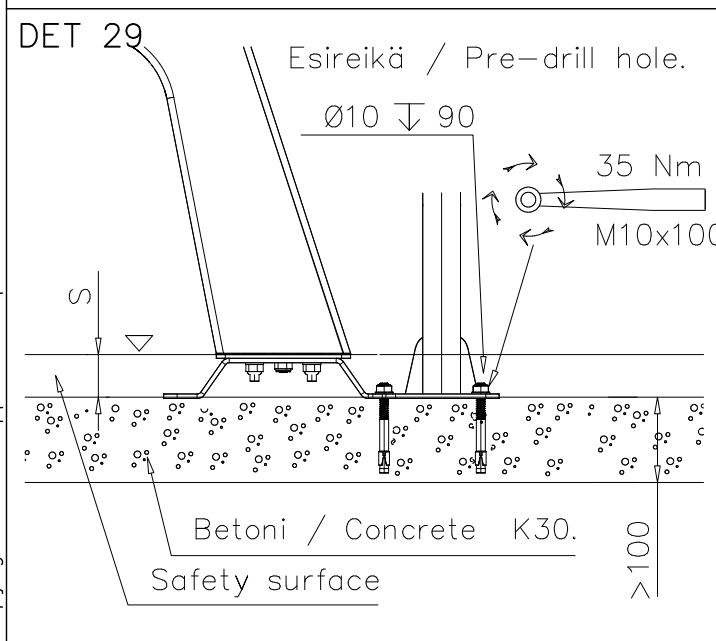
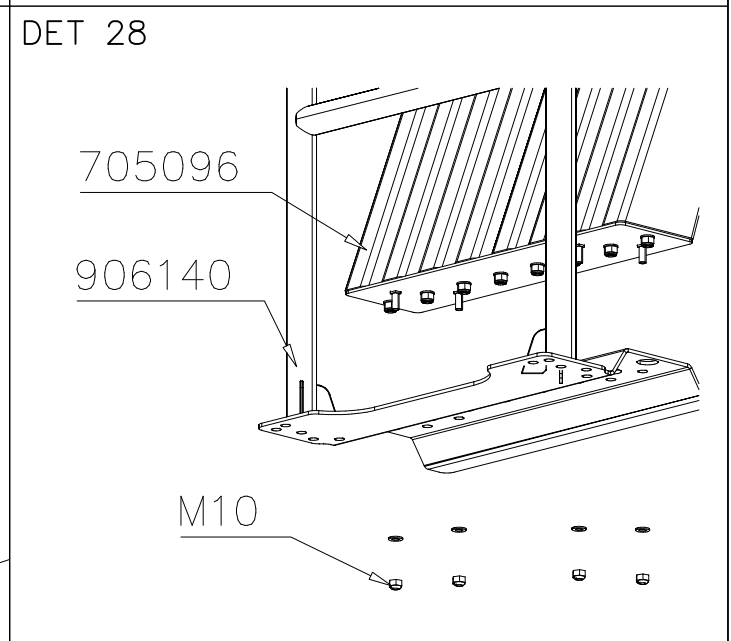
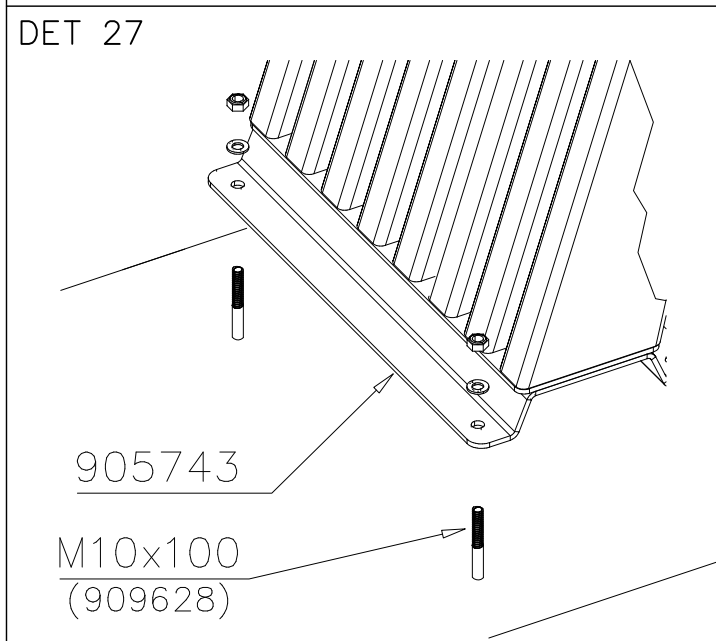
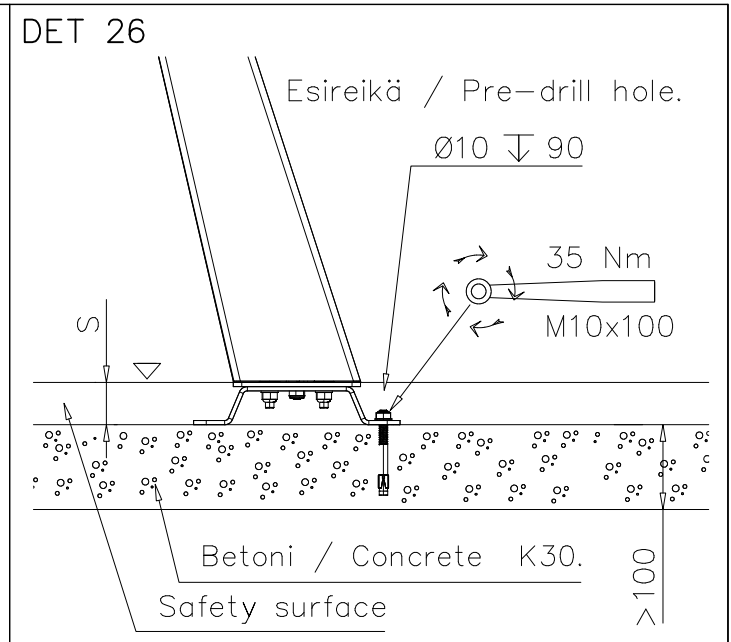
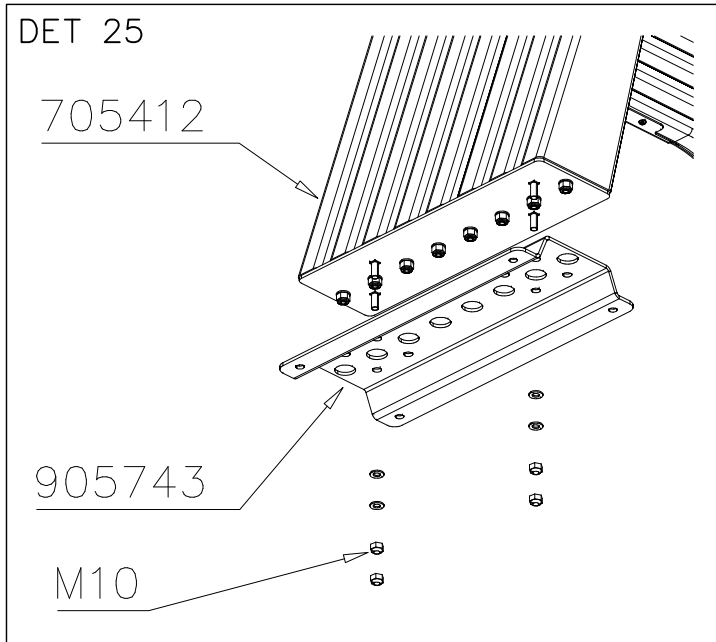


LAPPSET SPORT

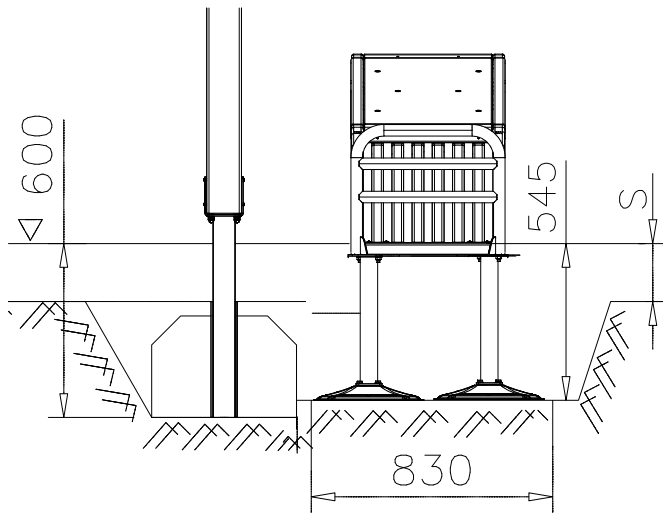
BASE

DATE: 29.4.2015

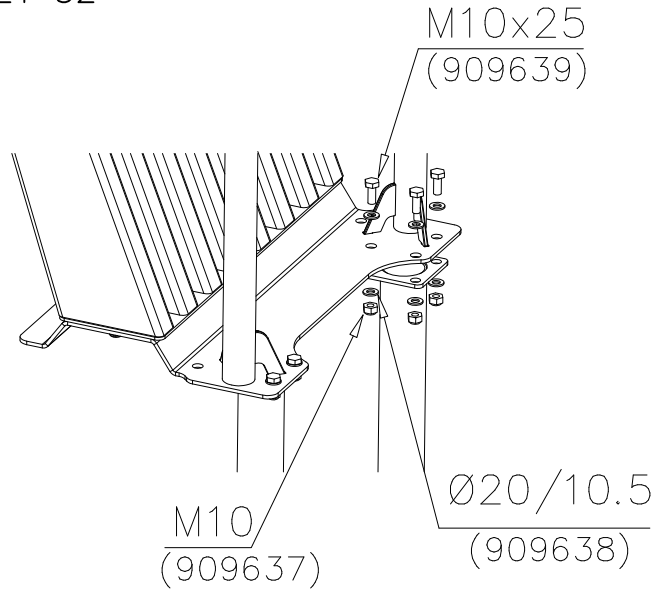
5(10)



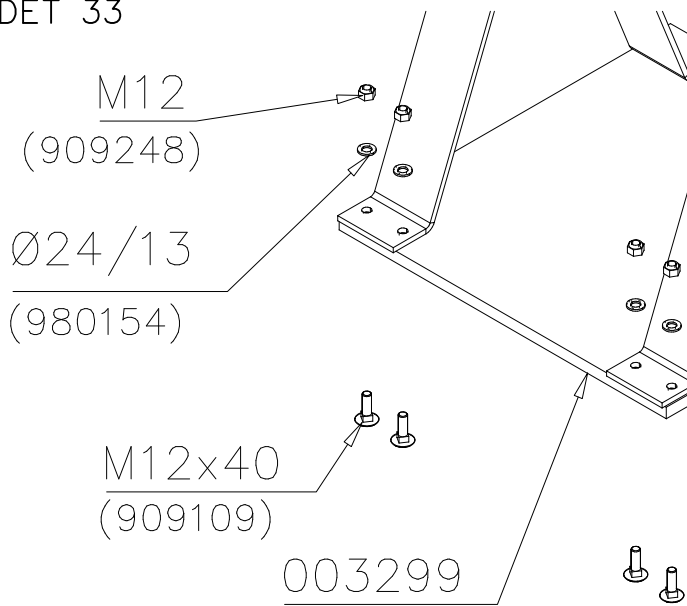
DET 31



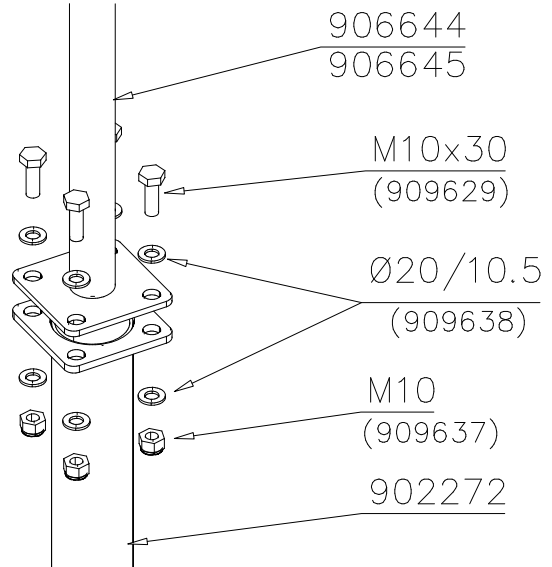
DET 32



DET 33



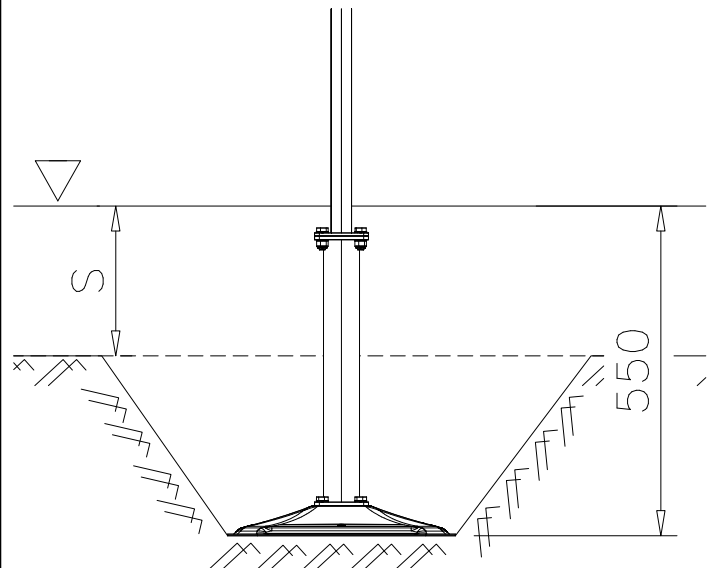
DET 34



DET 35



DET 36



DET 37



DET 38



DET 39



DET 40



DET 41



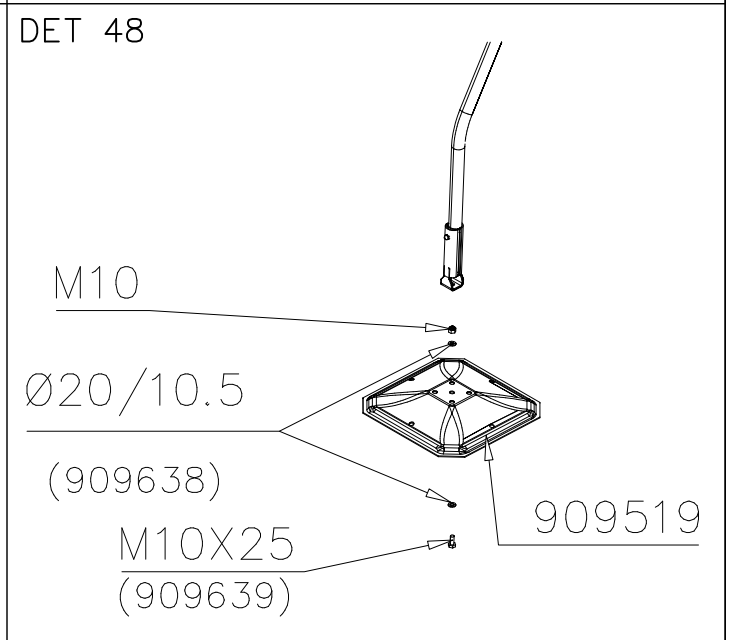
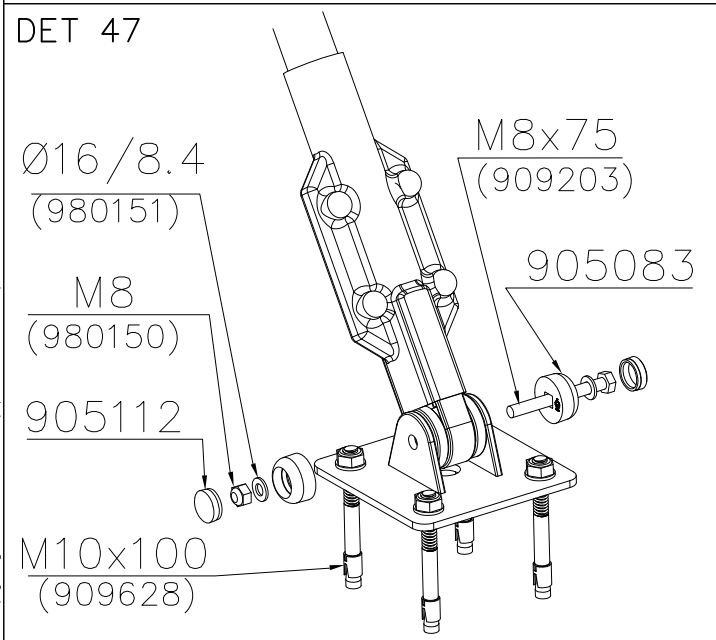
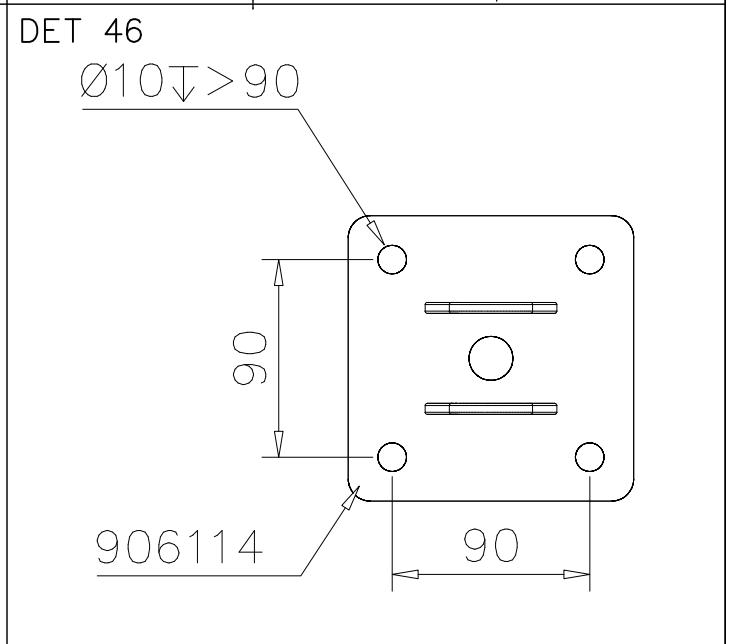
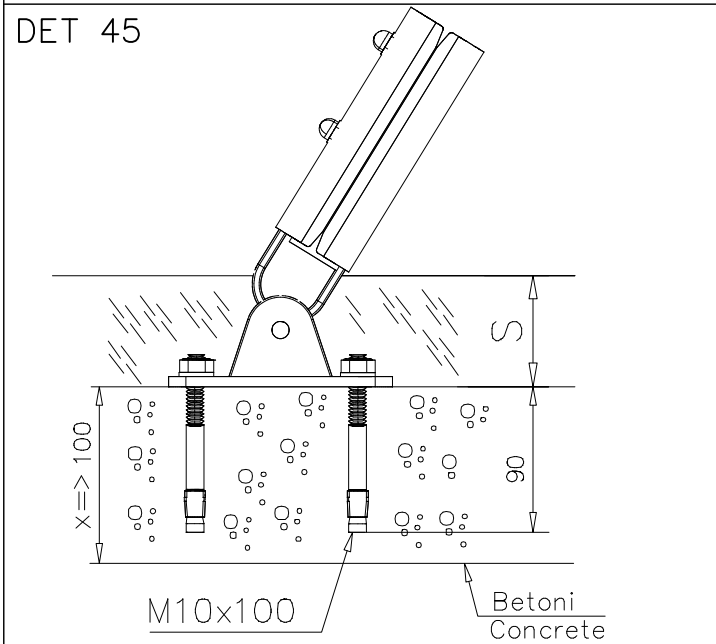
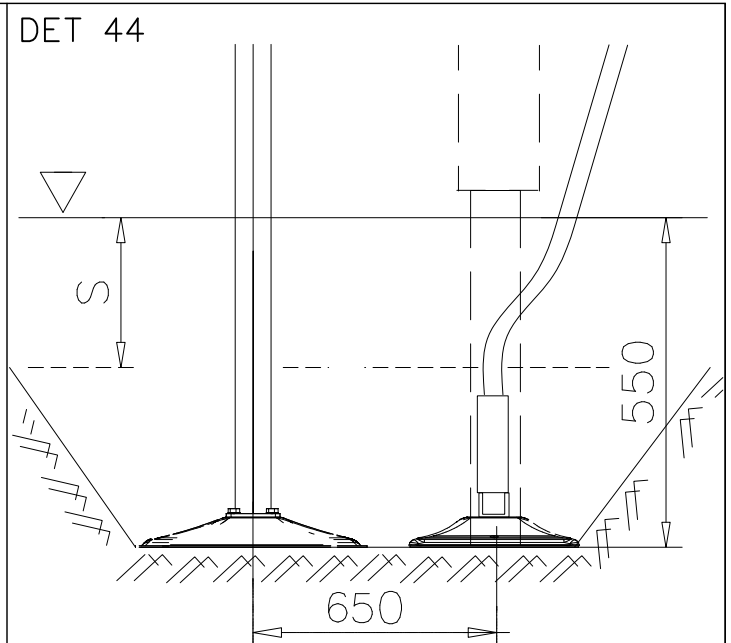
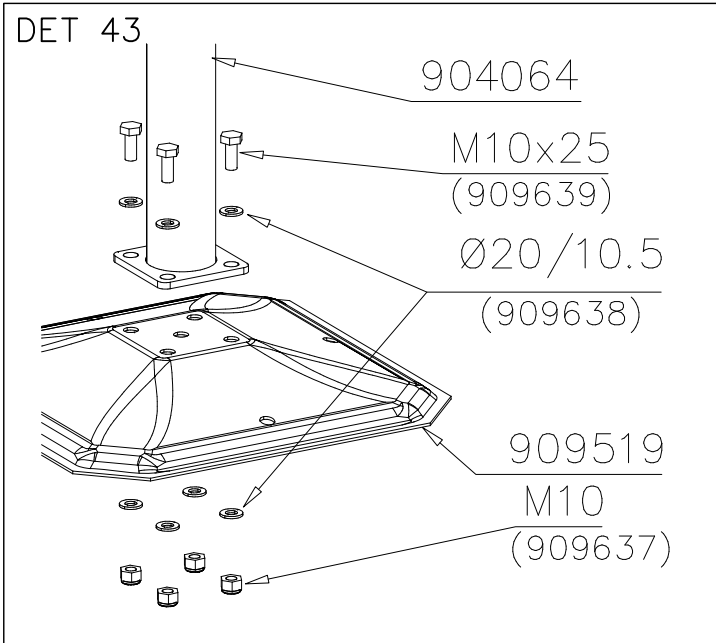
DET 42

LAPPSET SPORT

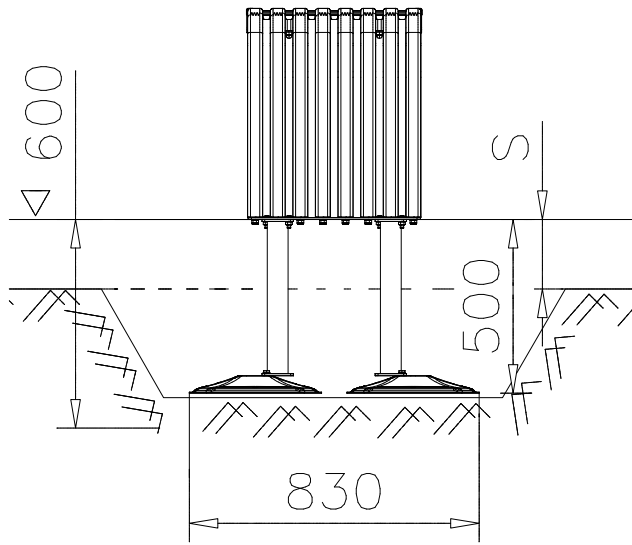
BASE

DATE: 15.8.2017

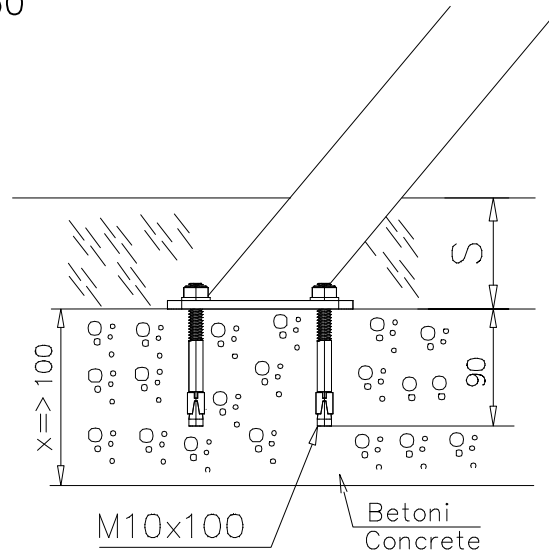
8(10)



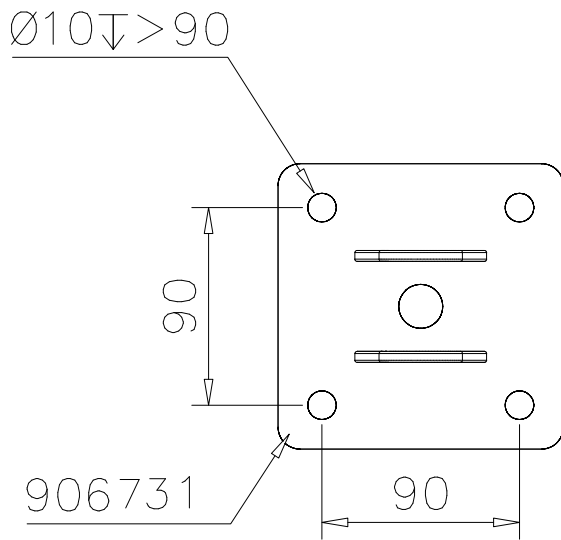
DET 49



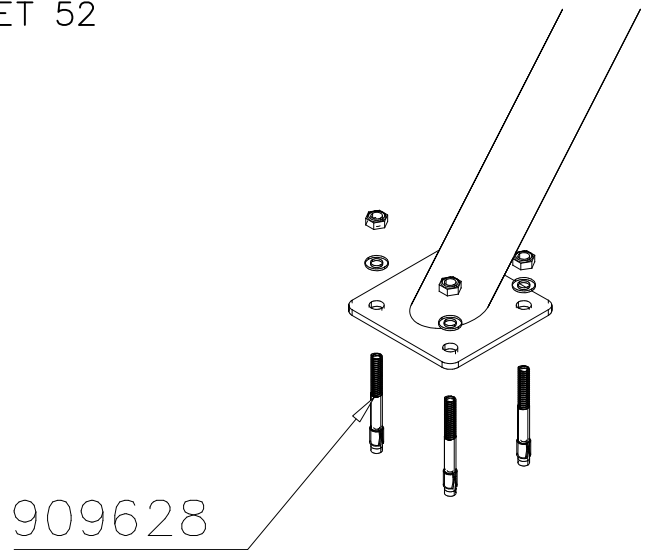
DET 50



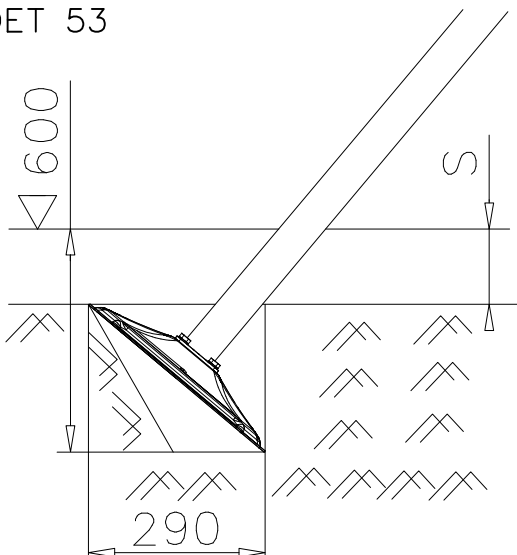
DET 51



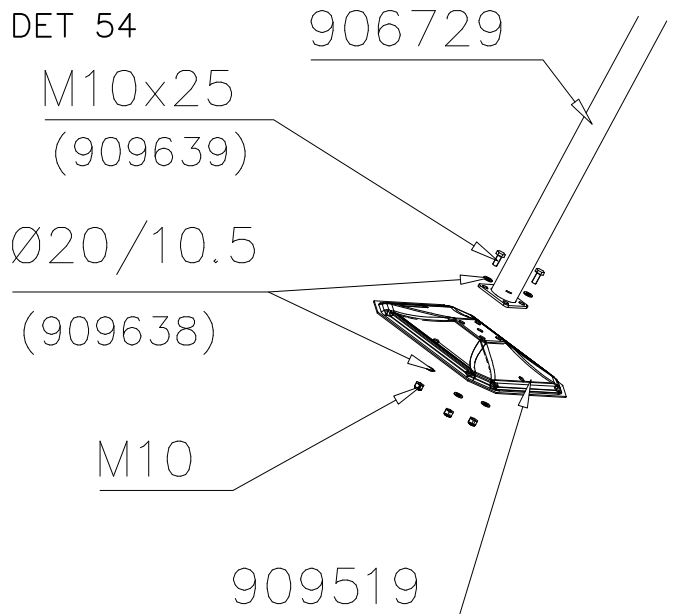
DET 52



DET 53

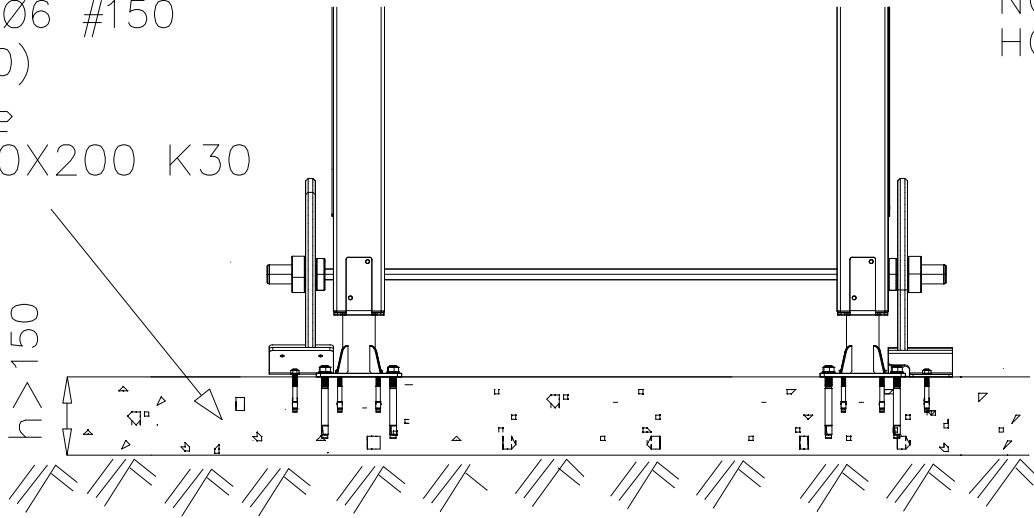


DET 54



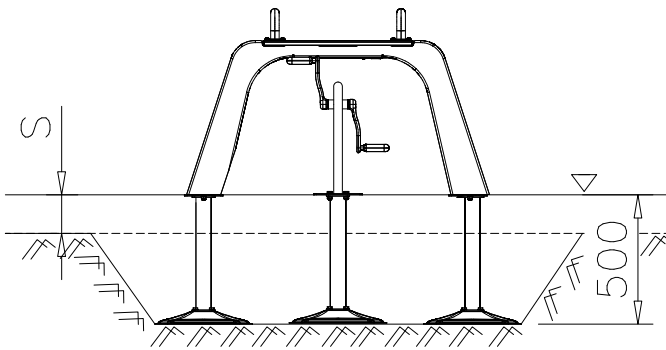
DET 55

STEELNET Ø6 #150
(1400x2100)
Concrete
1500X2200X200 K30

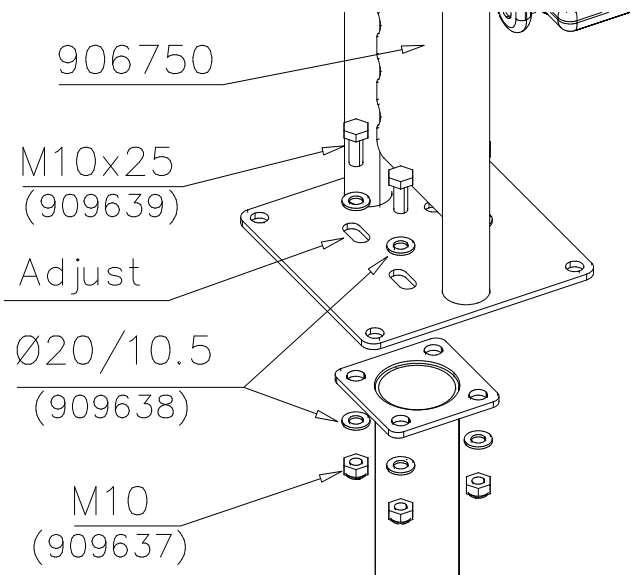


NOTE!
HOX!

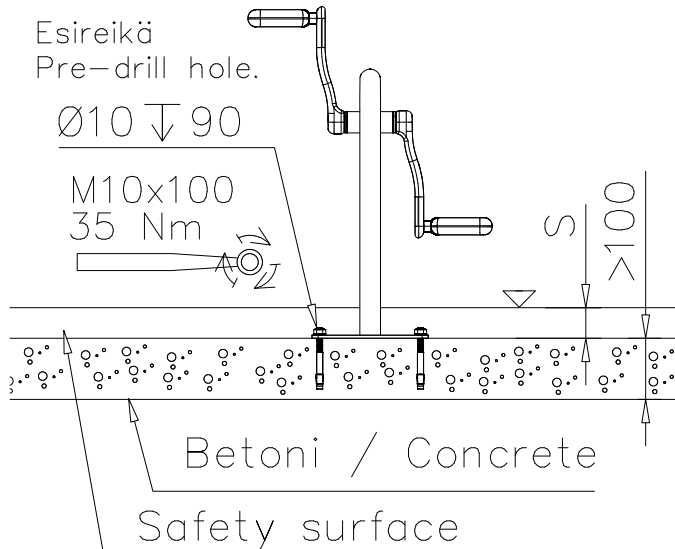
DET 56



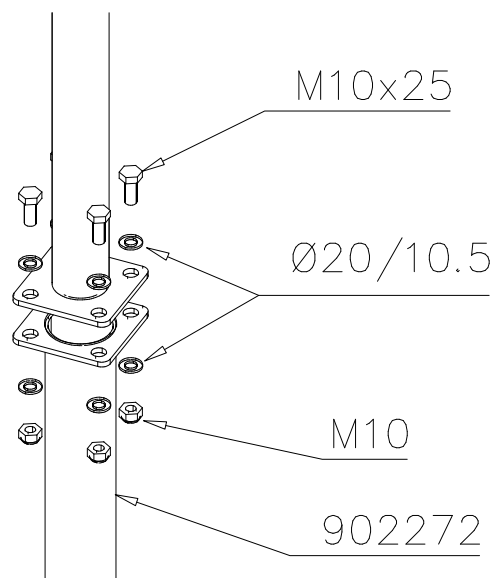
DET 57



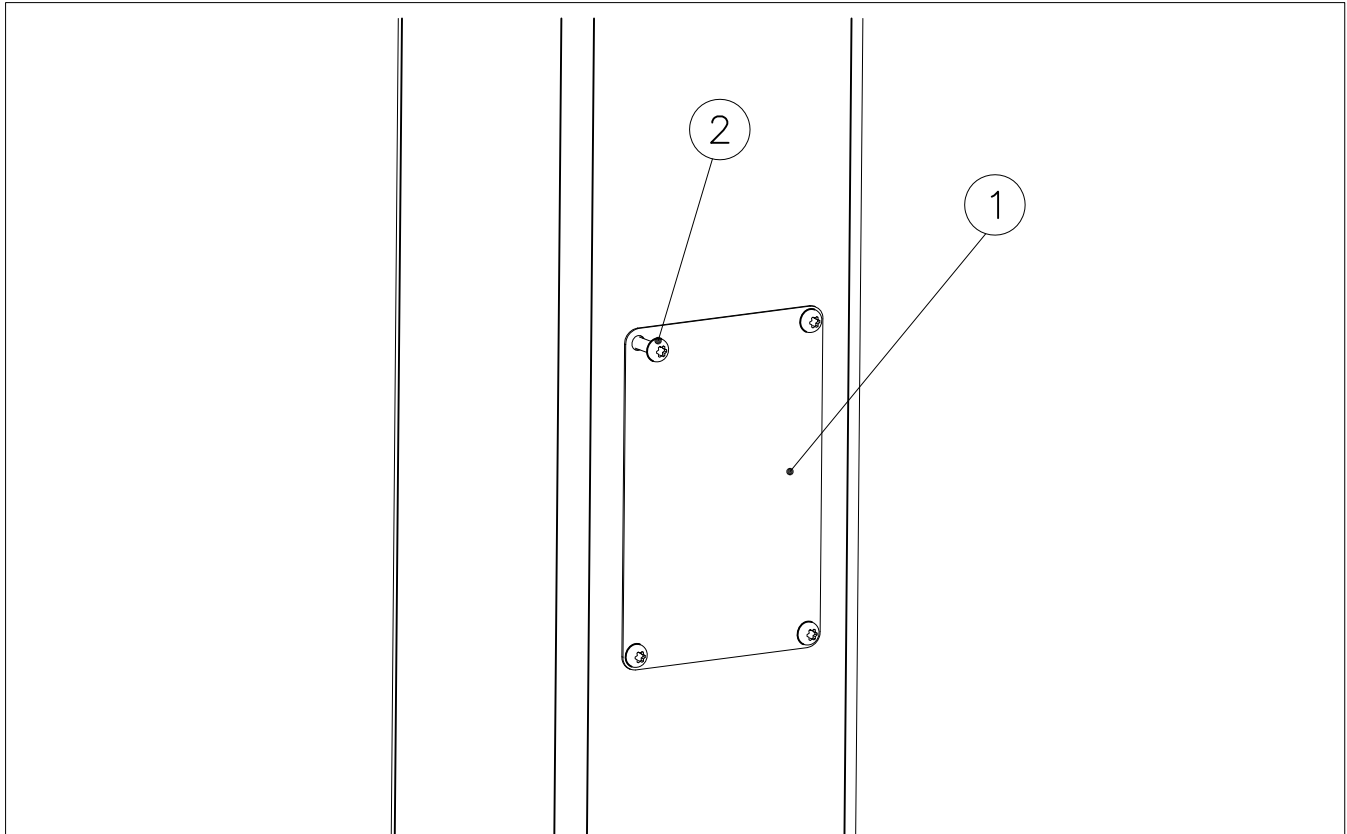
DET 58



DET 59



① SHEET METAL	PCS	② 980114	PCS
	1		4
118x78x0.7		Ø4x20	



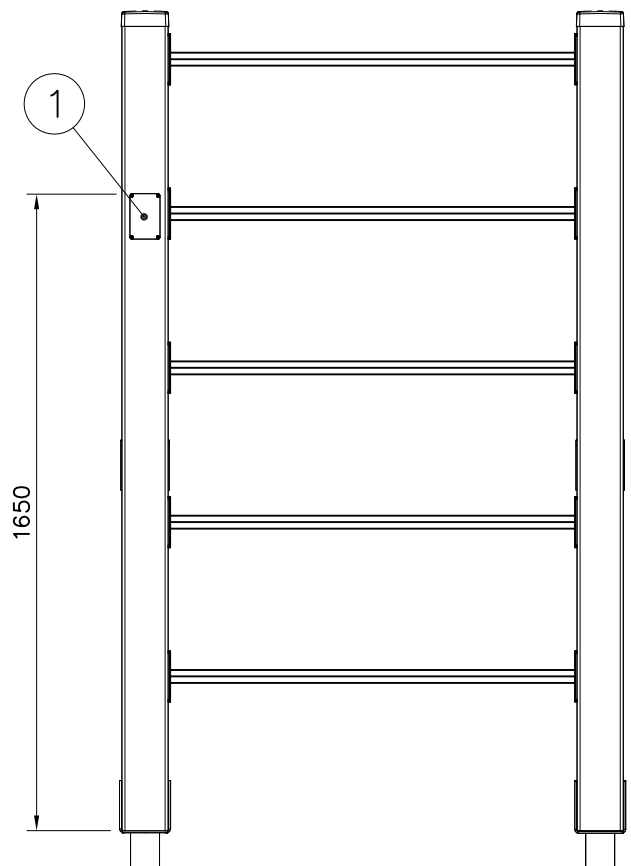
Example installation !
Esimerkki asennus !

Example installation !
Esimerkki asennus !

Example installation !
Esimerkki asennus !



Example installation !
Esimerkki asennus !



Example installation !
Esimerkki asennus !

