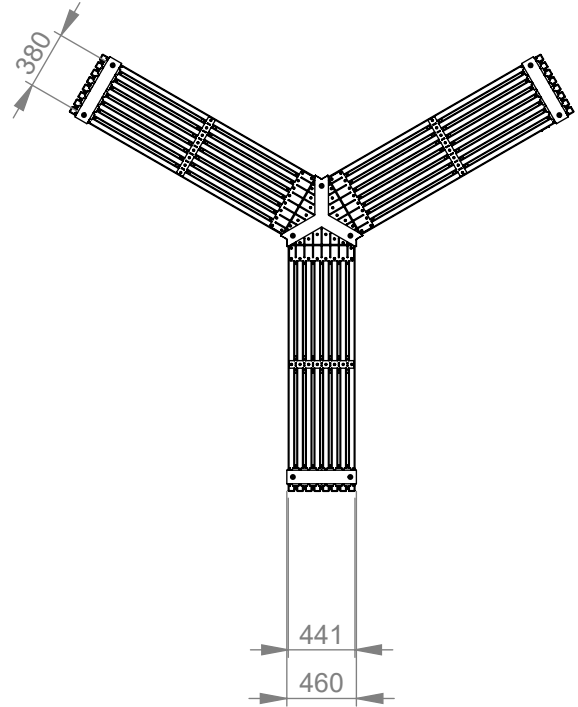
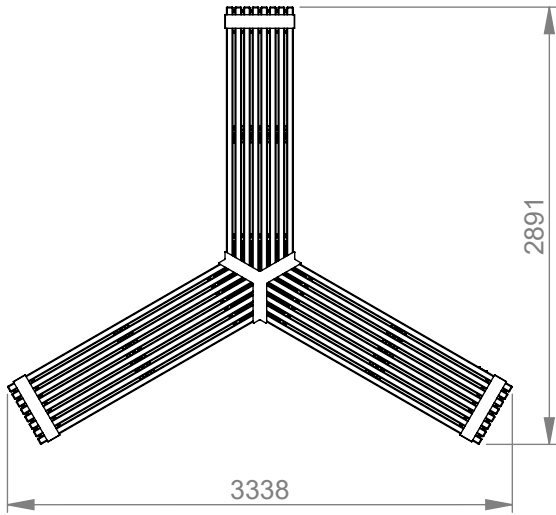
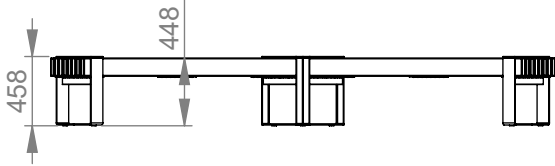
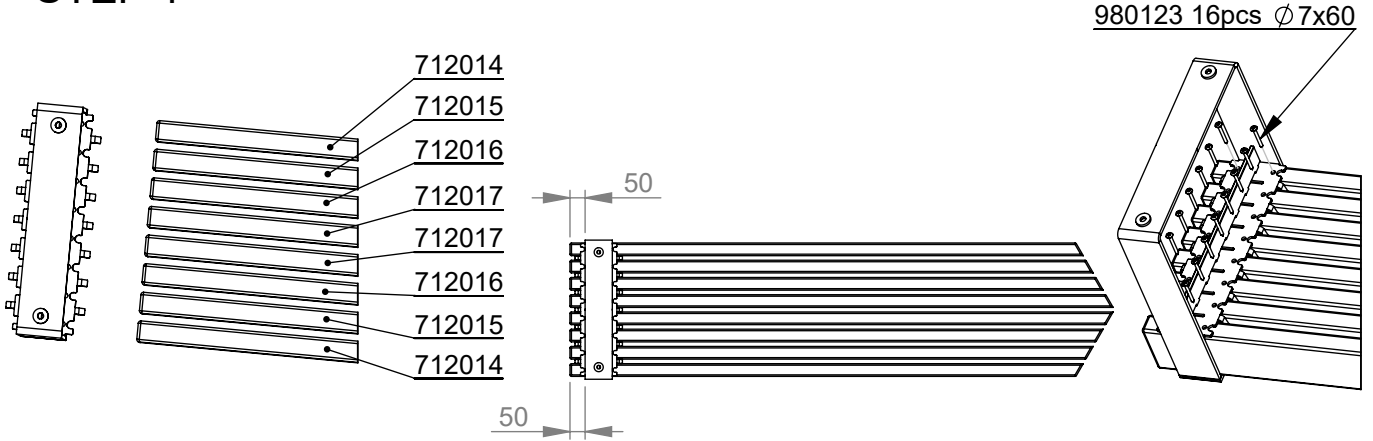


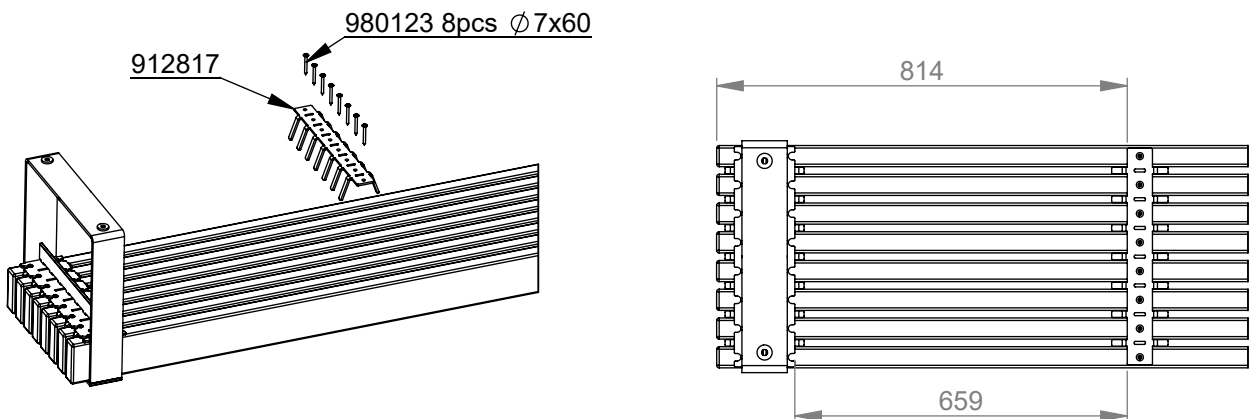
	ITEM CODE	DESCRIPTION	DIMENSION	QTY.
	914413	FRAME	690x623x458	1
	914382	FRAME	90x458x460	3
	912817	SUPPORT	5x65x112x430	3
	712014	PLANK	42x120x1697	6
	712015	PLANK	42x120x1730	6
	712016	PLANK	42x120x1763	6
	712017	PLANK	42x120x1796	6
	980123	SPECIAL SCREW	Ø7x60	120
	702286	PRINTED LABEL	65x65	1
	980114	SCREW	Ø4x20	4



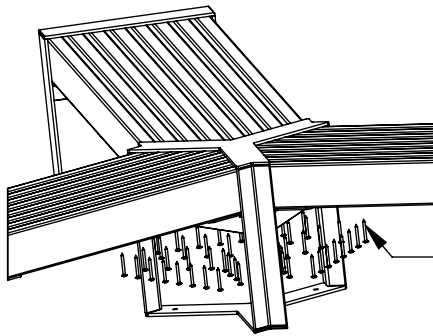
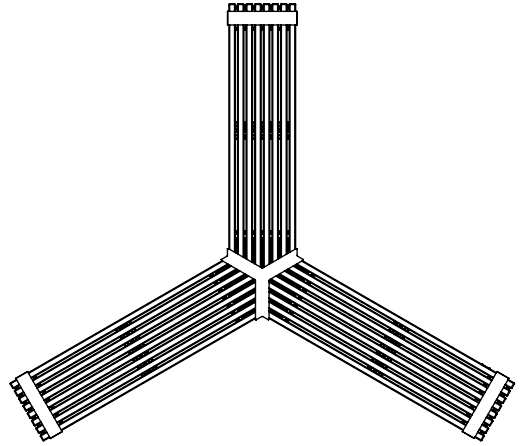
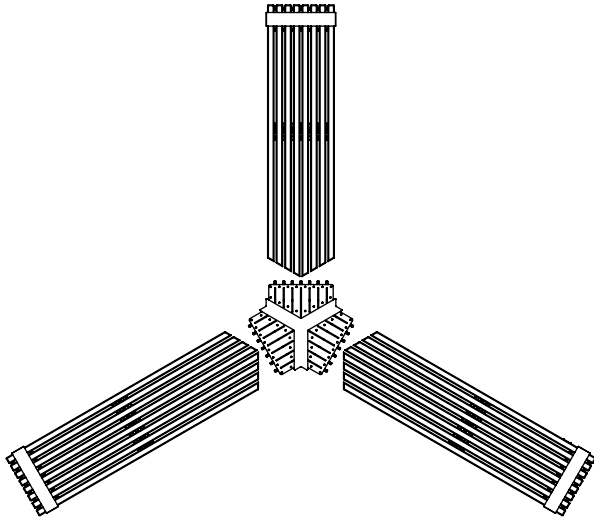
**STEP 1**



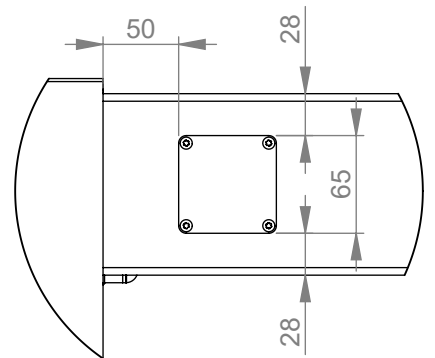
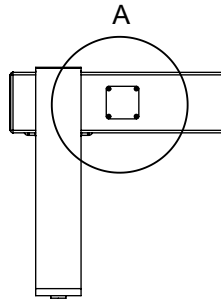
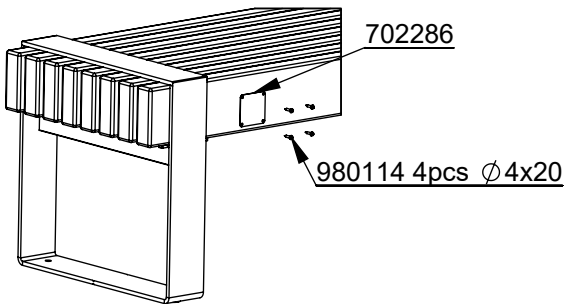
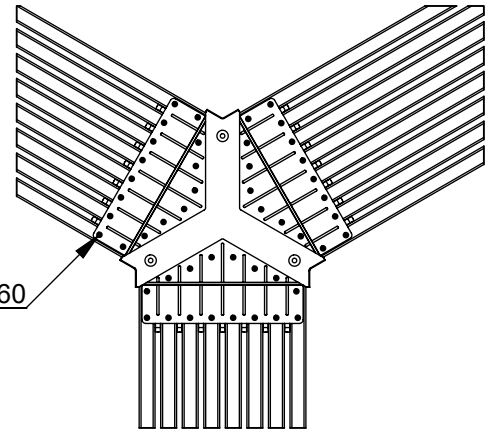
**STEP 2**



STEP 3



980123 16pcs x3 Ø7x60



DETAIL A 1 : 5