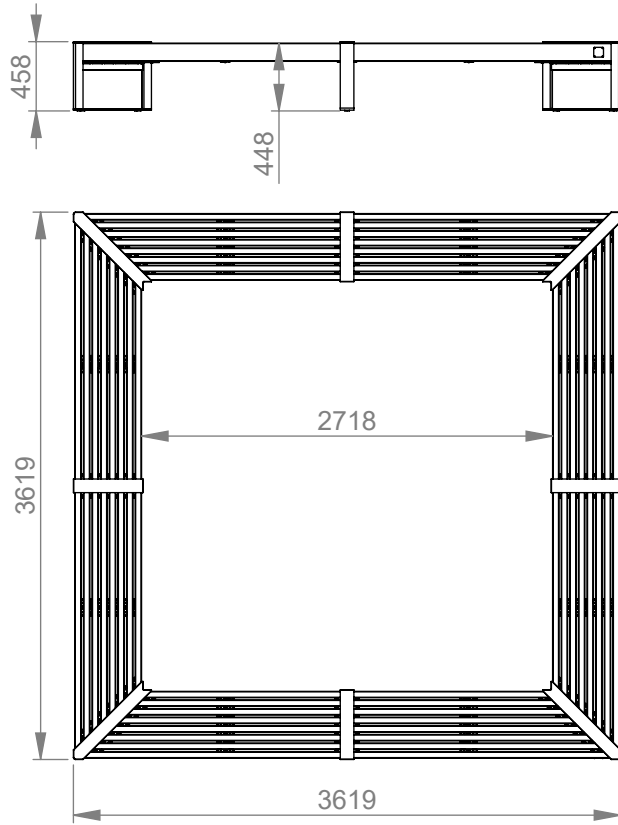
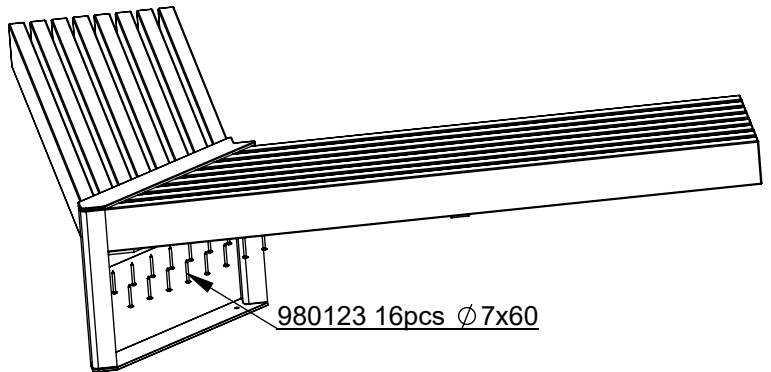
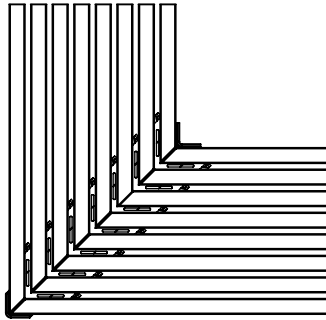
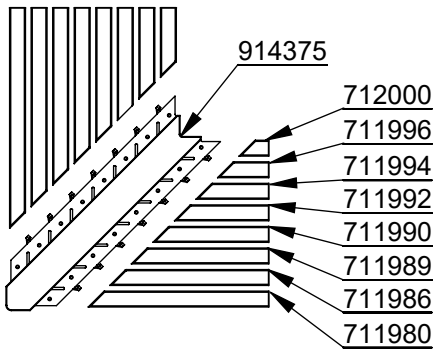


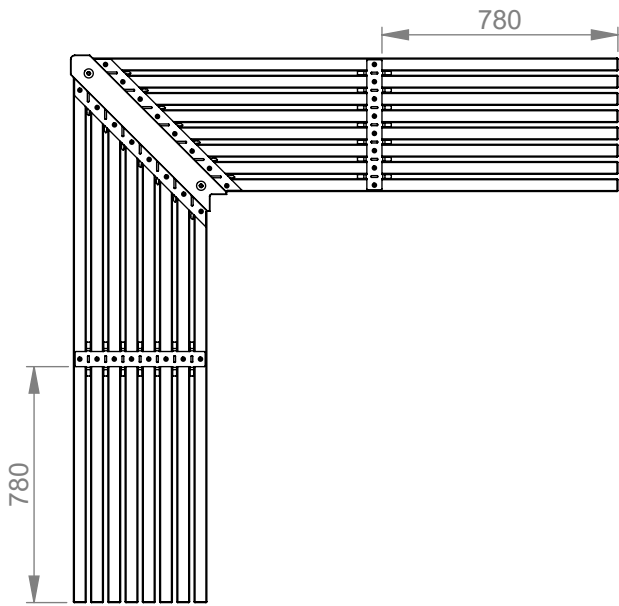
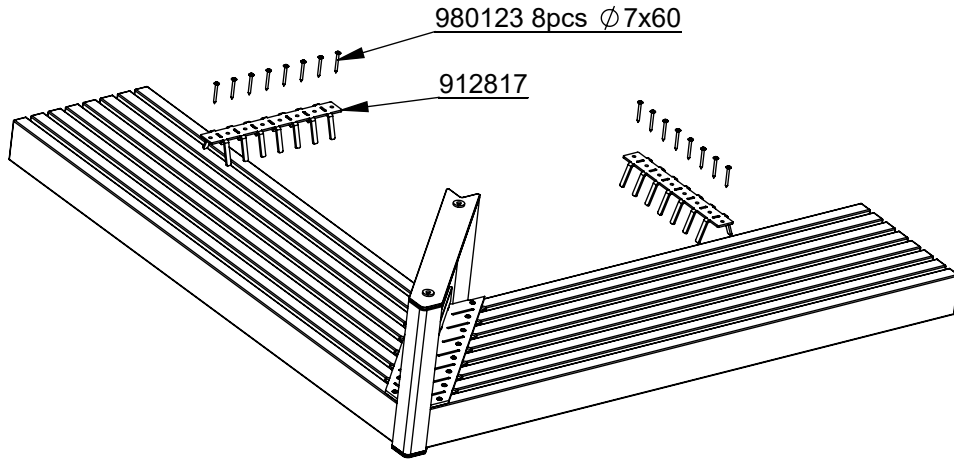
| | ITEM CODE | DESCRIPTION | DIMENSION | QTY. |
|--|-----------|---------------|-----------------|------|
| | 914375 | FRAME | 458x90x705 | 4 |
| | 914382 | FRAME | 90x458x460 | 4 |
| | 912817 | SUPPORT | 5x65x112x430 | 8 |
| | 711980 | PLANK | 42x120x1800 /45 | 8 |
| | 711986 | PLANK | 42x120x1743 /45 | 8 |
| | 711989 | PLANK | 42x120x1686 /45 | 8 |
| | 711990 | PLANK | 42x120x1629 /45 | 8 |
| | 711992 | PLANK | 42x120x1572 /45 | 8 |
| | 711994 | PLANK | 42x120x1515 /45 | 8 |
| | 711996 | PLANK | 42x120x1458 /45 | 8 |
| | 712000 | PLANK | 42x120x1401 /45 | 8 |
| | 980123 | SPECIAL SCREW | Ø7x60 | 192 |
| | 702286 | PRINTED LABEL | 65x65 | 1 |
| | 909506 | SCREW | Ø3,5x13 | 4 |



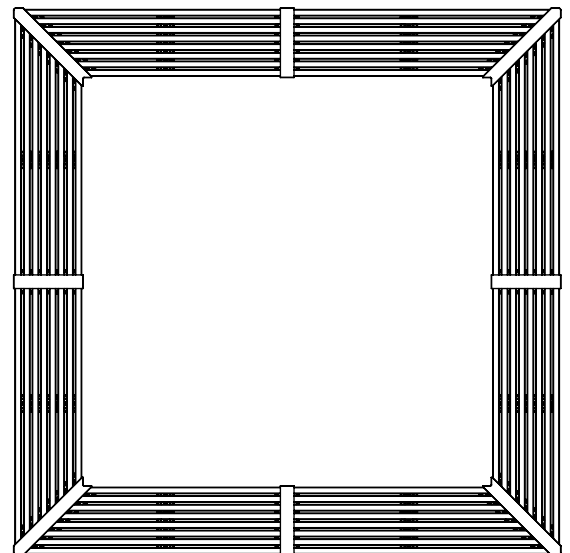
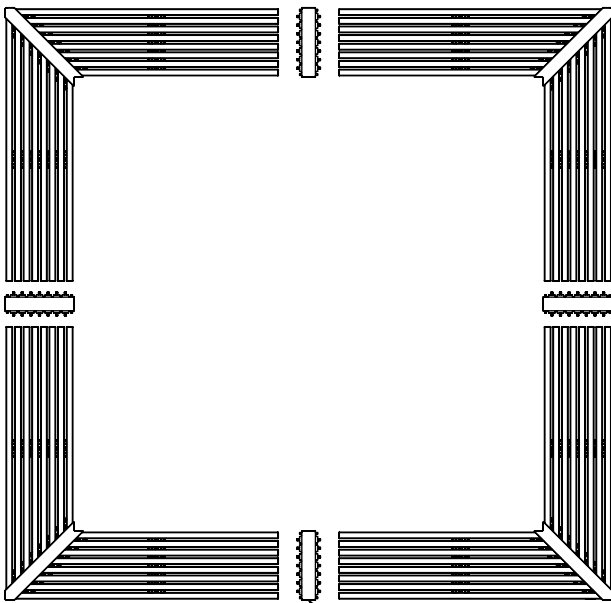
STEP 1 corners x4

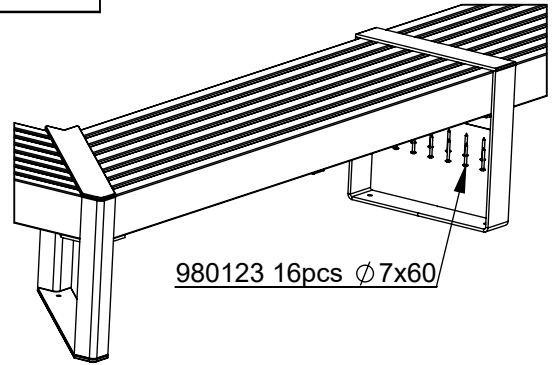
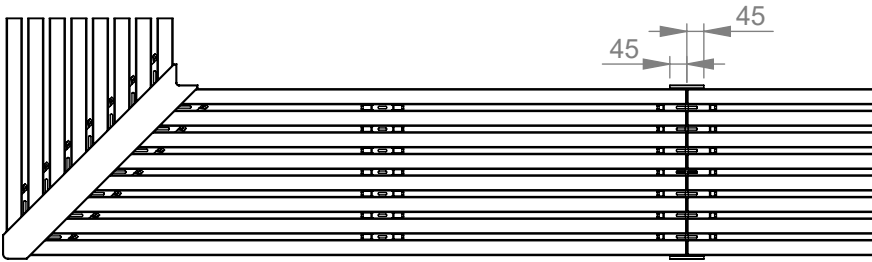


STEP 2

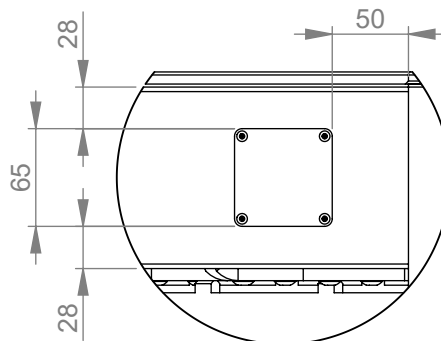
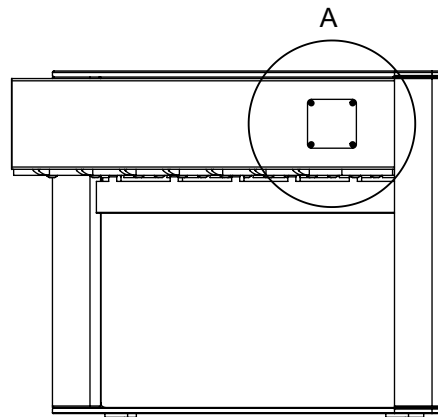
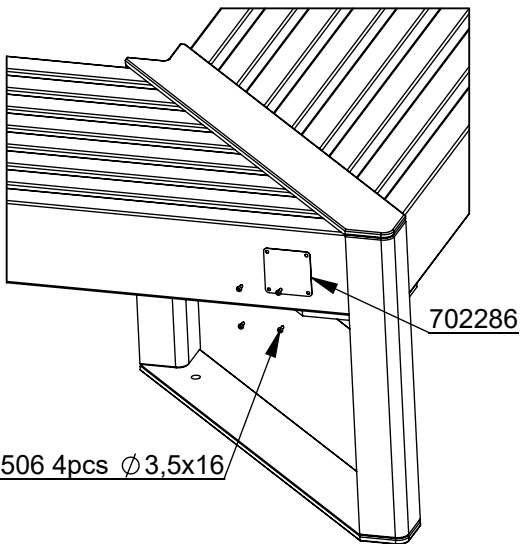


STEP 3





STEP 4



DETAIL A 1 : 5