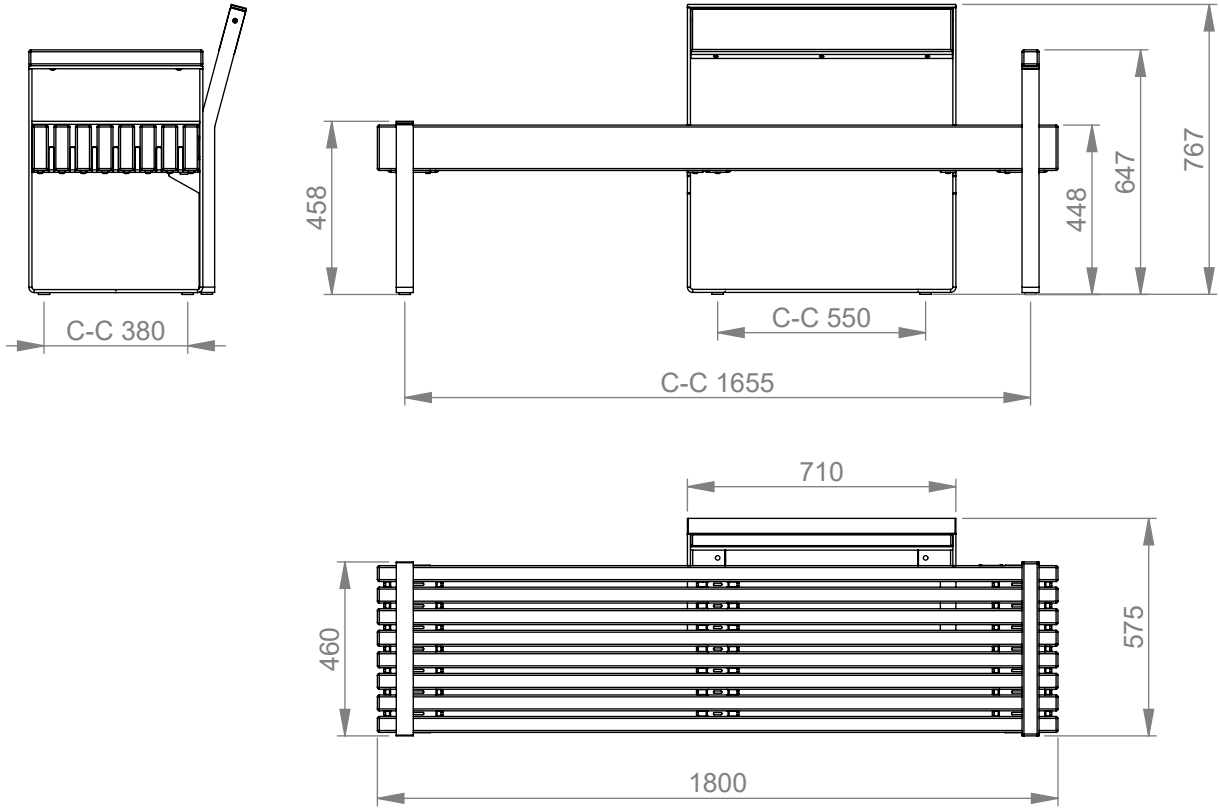
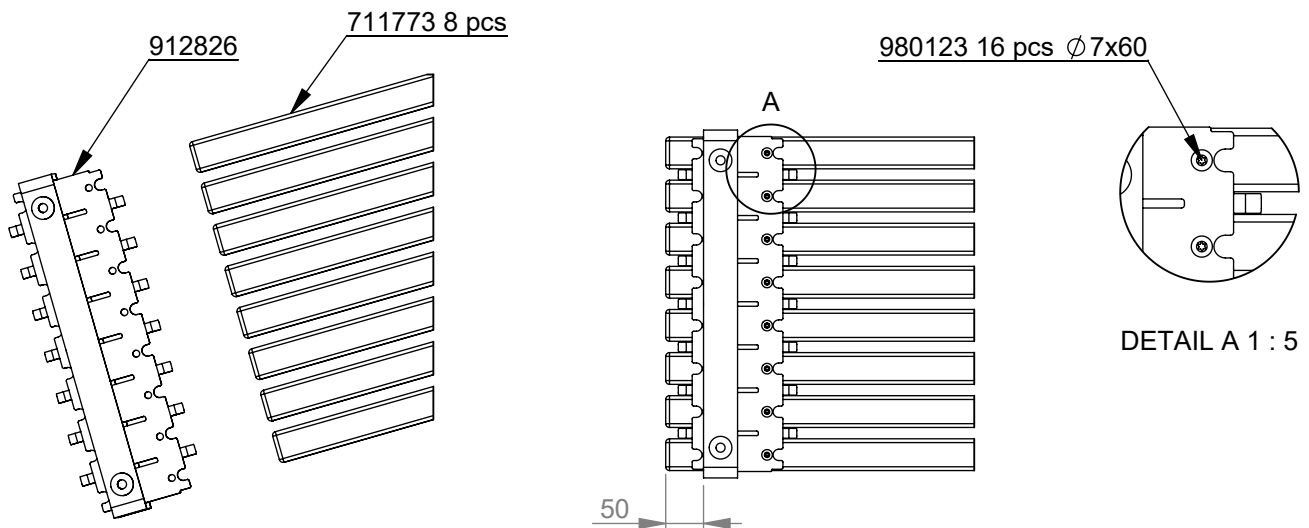


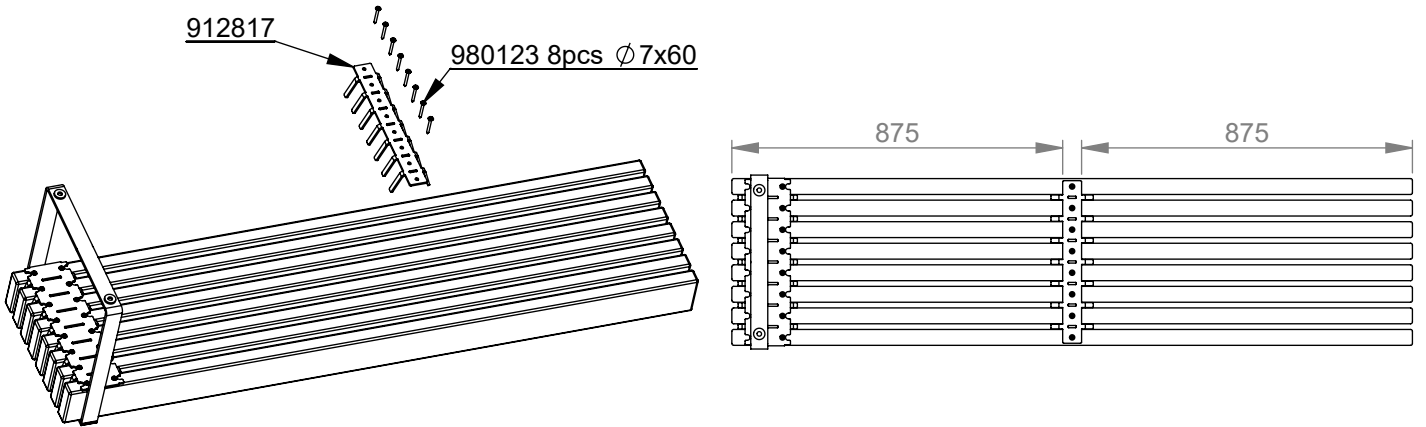
	ITEM CODE	DESCRIPTION	DIMENSION	QTY.
	912826	FRAME	157X460X458	1
	912819	FRAME	157X460X605	1
	711773	PLANK	42X120X1800	8
	912817	SUPPORT	5X65X112X430	1
	710991	PLANK	42X45X450	1
	913409	FRAME	338X710X767	1
	710992	PLANK	42X120X693	1
	980100	SCREW	Ø5X60	5
	980128	SPECIAL SCREW	Ø7X40	2
	980123	SPECIAL SCREW	Ø7X60	48
	909506	SCREW	Ø3,5X13	4
	702286	PRINTED LABEL	65X65	1



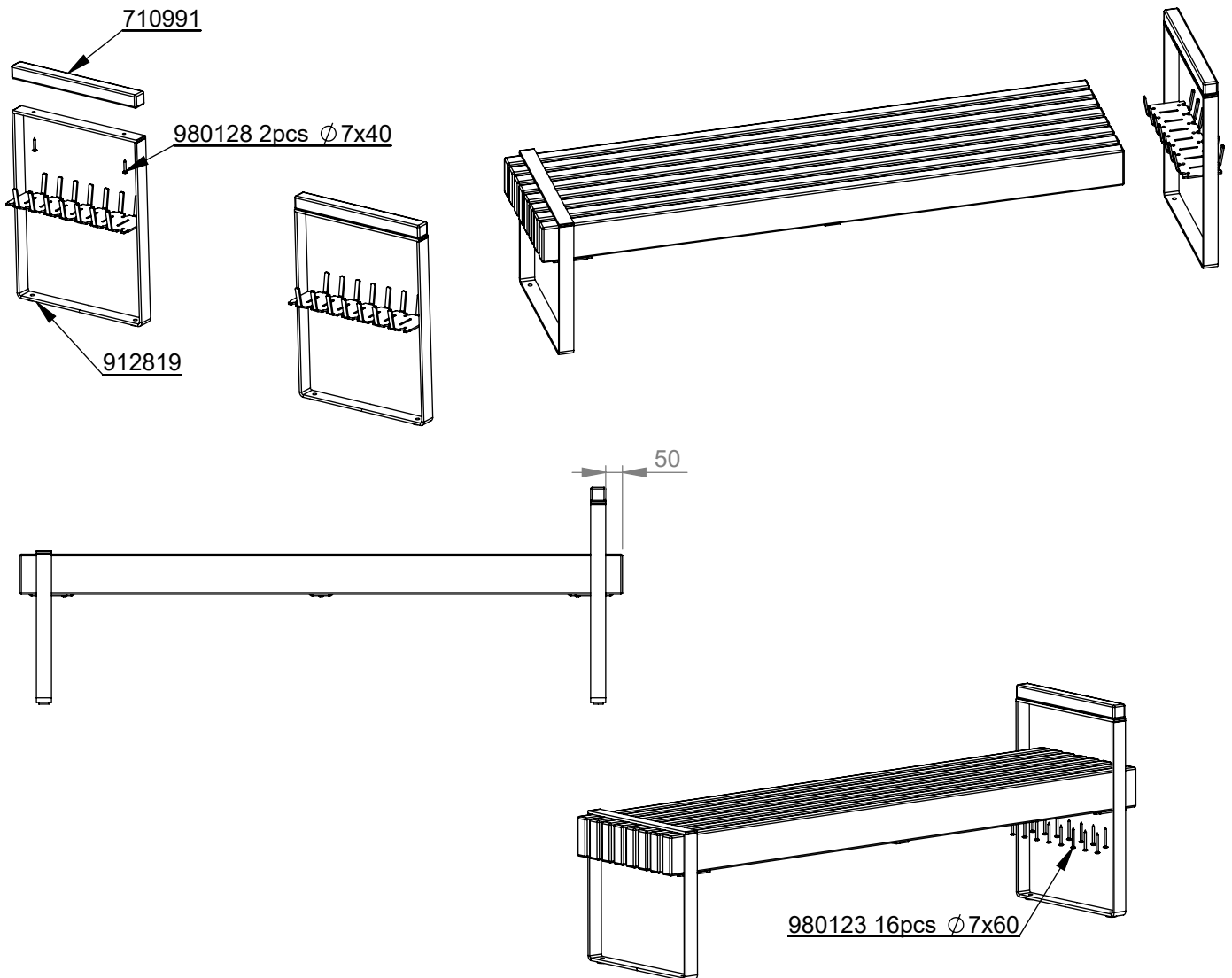
STEP 1



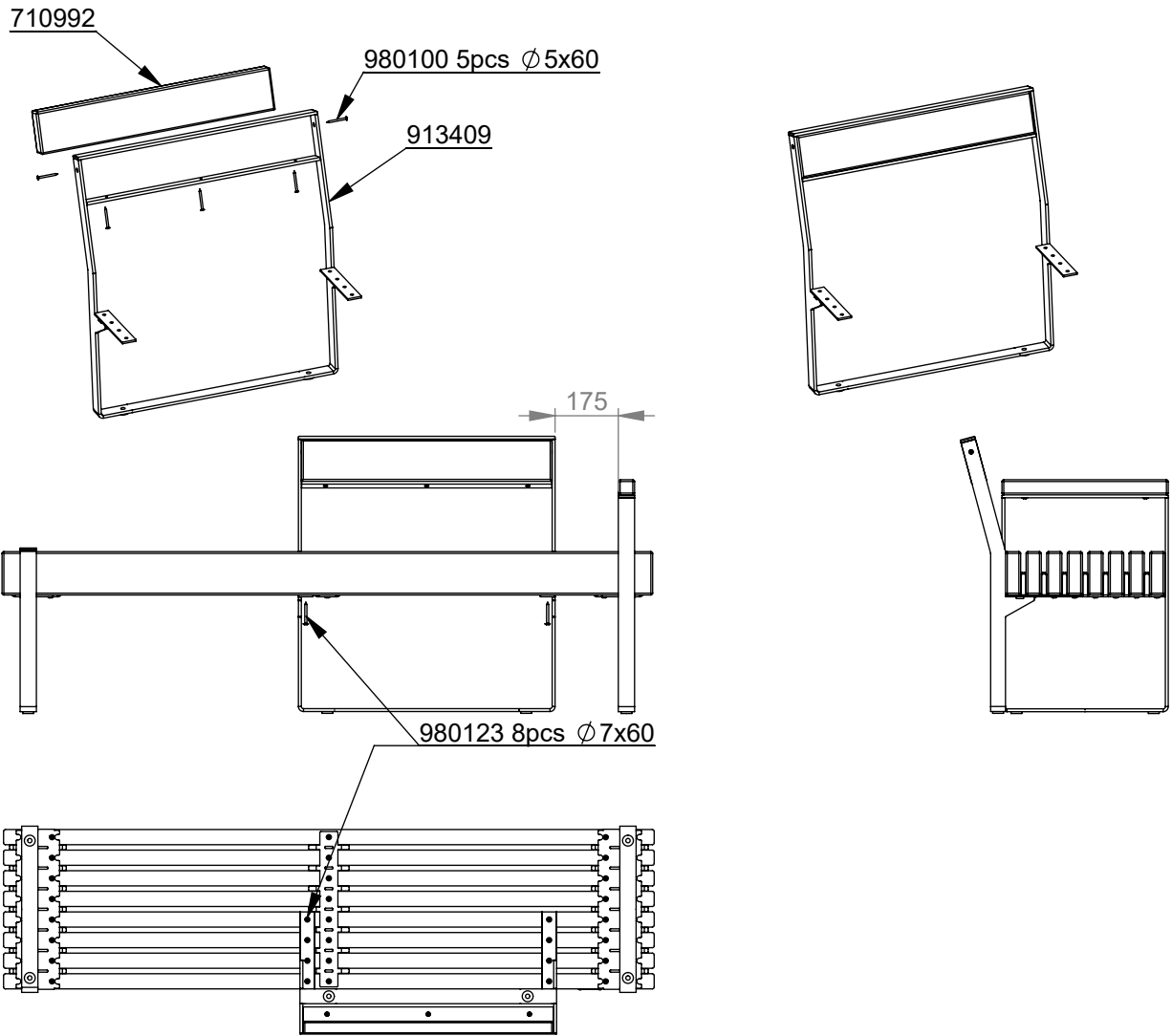
STEP 2



STEP 3



STEP 4



STEP 5

