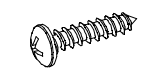
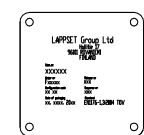
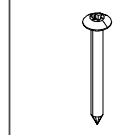
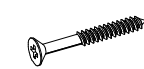
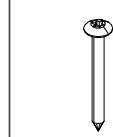
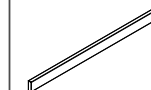
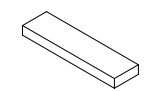
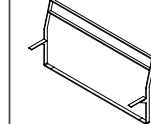
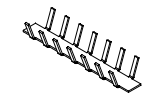
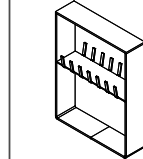
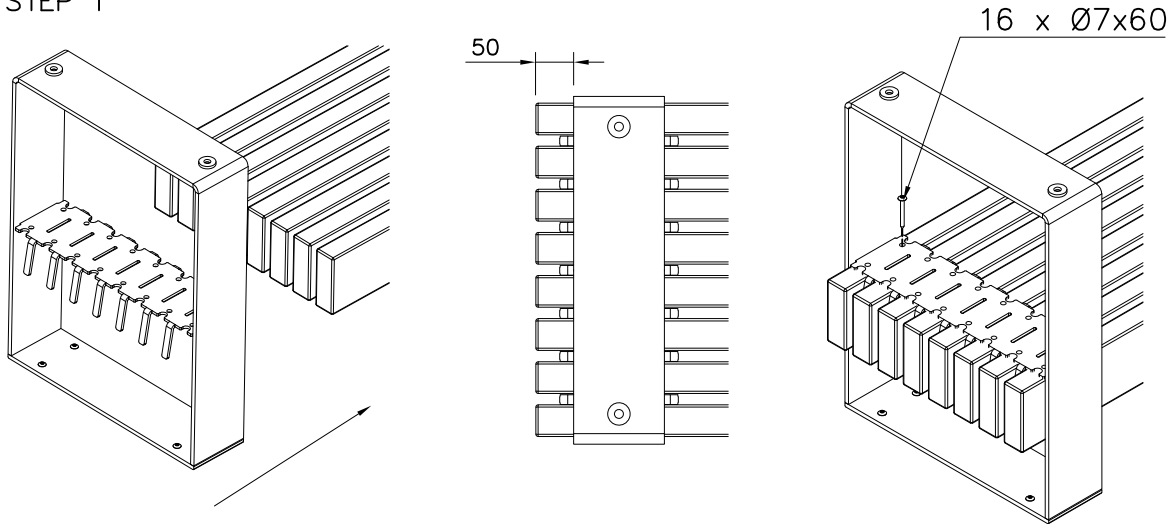


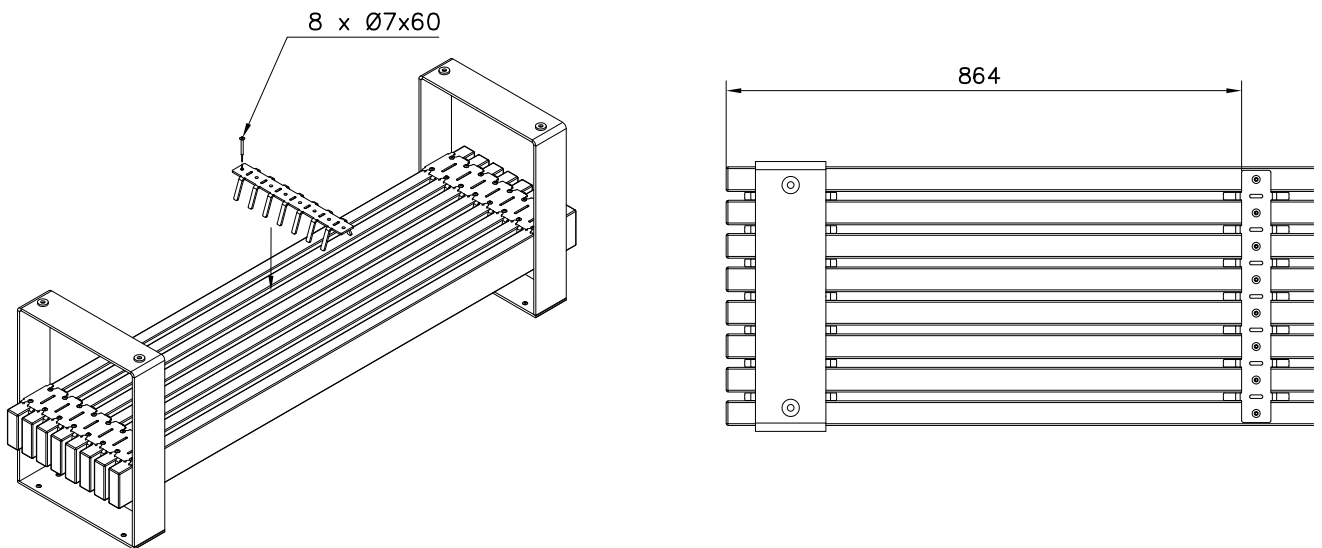
① 912823	PCS 2	② 912817	PCS 1
③ 913867	PCS 1	④ 711774	PCS 2
⑤ 711773	PCS 8	⑥ 711775	PCS 1
⑦ 980123	PCS 48	⑧ 980100	PCS 8
⑨ 980128	PCS 8	⑩ 702286	PCS 1
⑪ 909506	PCS 4		



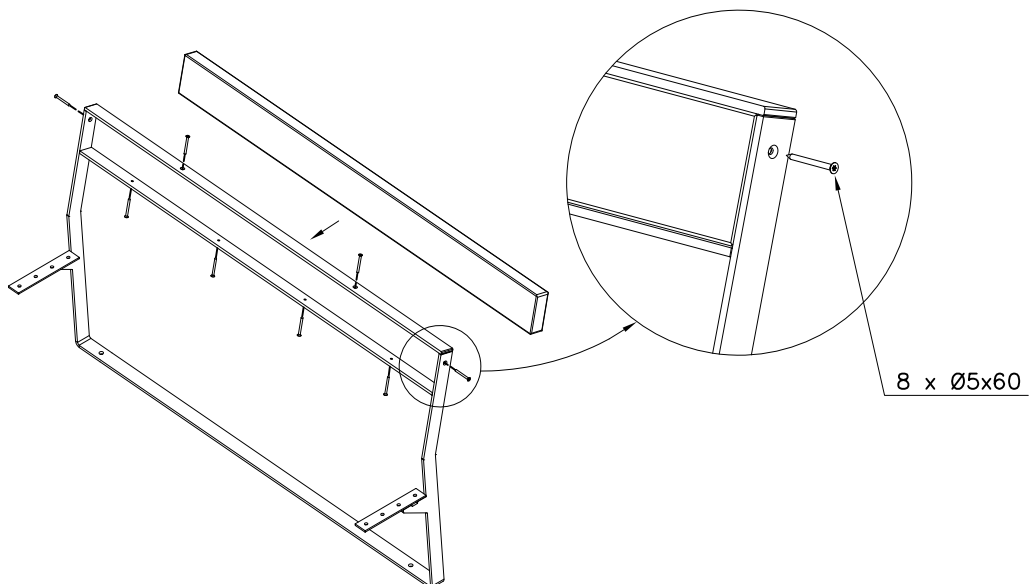
STEP 1



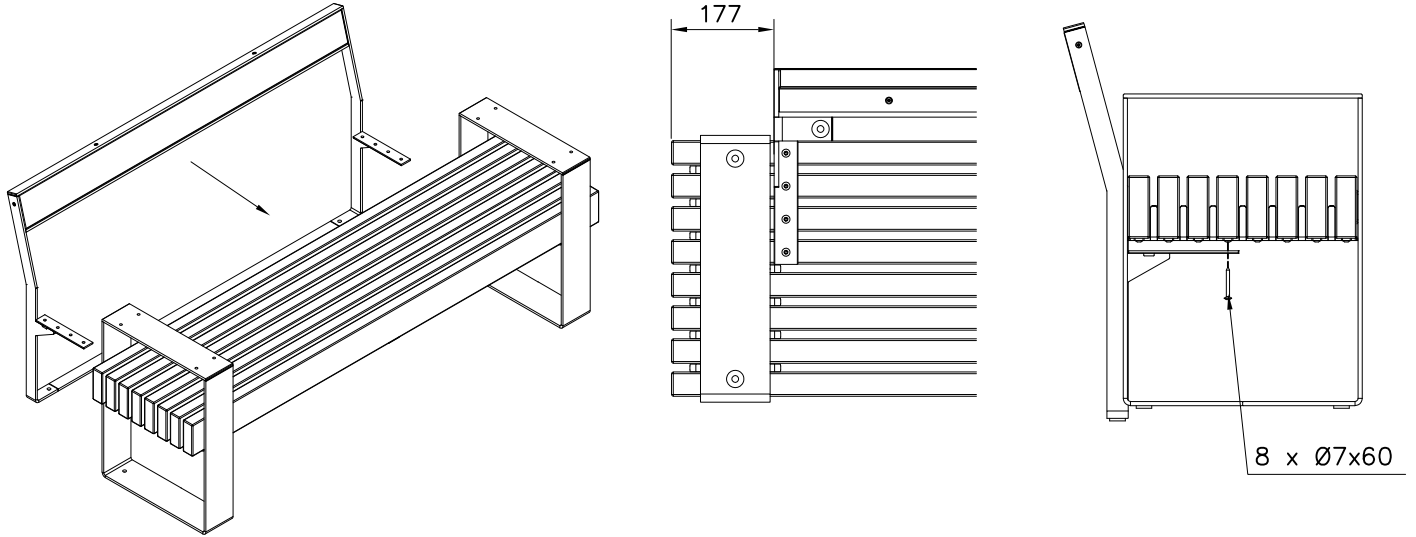
STEP 2



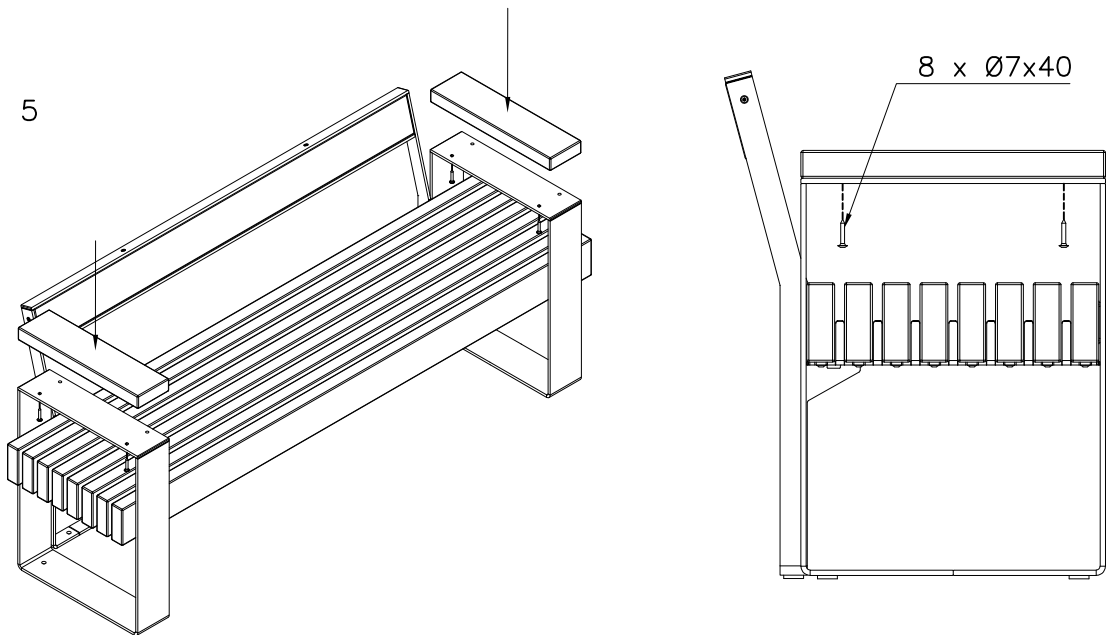
STEP 3



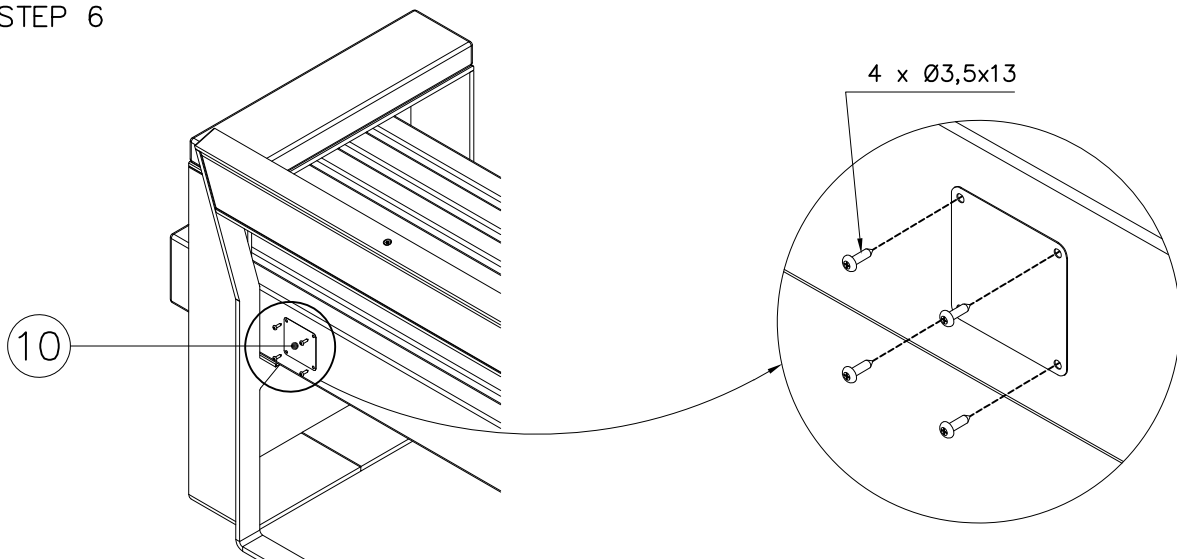
STEP 4



STEP 5



STEP 6



10