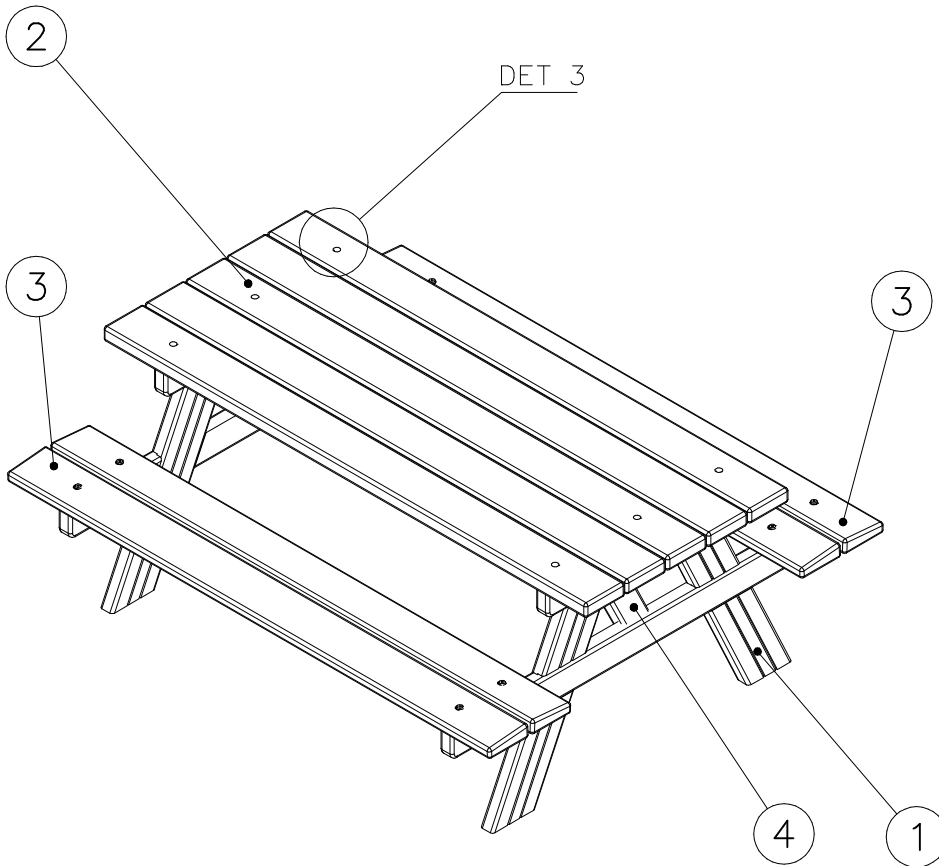
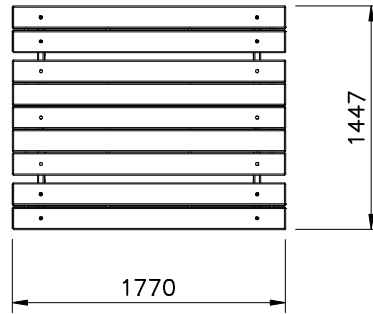
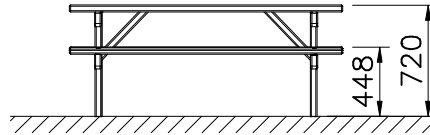
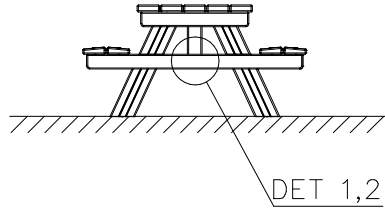


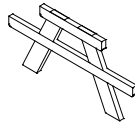


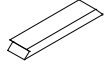


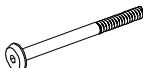
LAPPSET® PROMENADE

000500

DATE: 14.1.2004

1(2)



| | | | |
|---|-----|---|-----|
| ① 003407 | PCS | ② 003420 | PCS |
|  | 2 |  | 1 |
| ③ 003429 | PCS | ④ 003414 | PCS |
|  | 2 |  | 2 |
| ⑤ 980100 | PCS | ⑥ 905013 | PCS |
|  | 8 |  | 1 |
| 5x60 | | | |
| ⑦ 909117 | PCS | | PCS |
|  | 14 | | |
| 8x100 | | | |
| | PCS | | PCS |
| | | | |
| | PCS | | PCS |
| | | | |
| | PCS | | PCS |
| | | | |

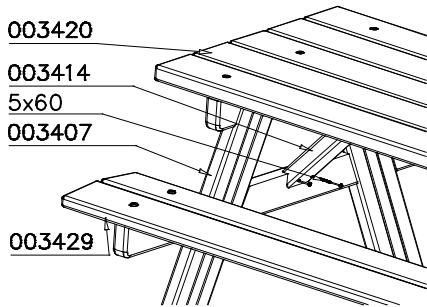
LAPPSET® PROMENADE

000500

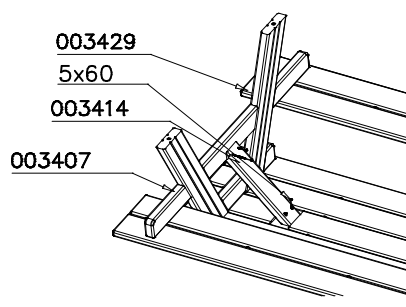
DATE: 14.1.2004

2(2)

DET 1



DET 2



DET 3

