
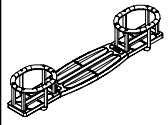

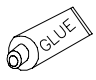
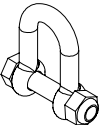
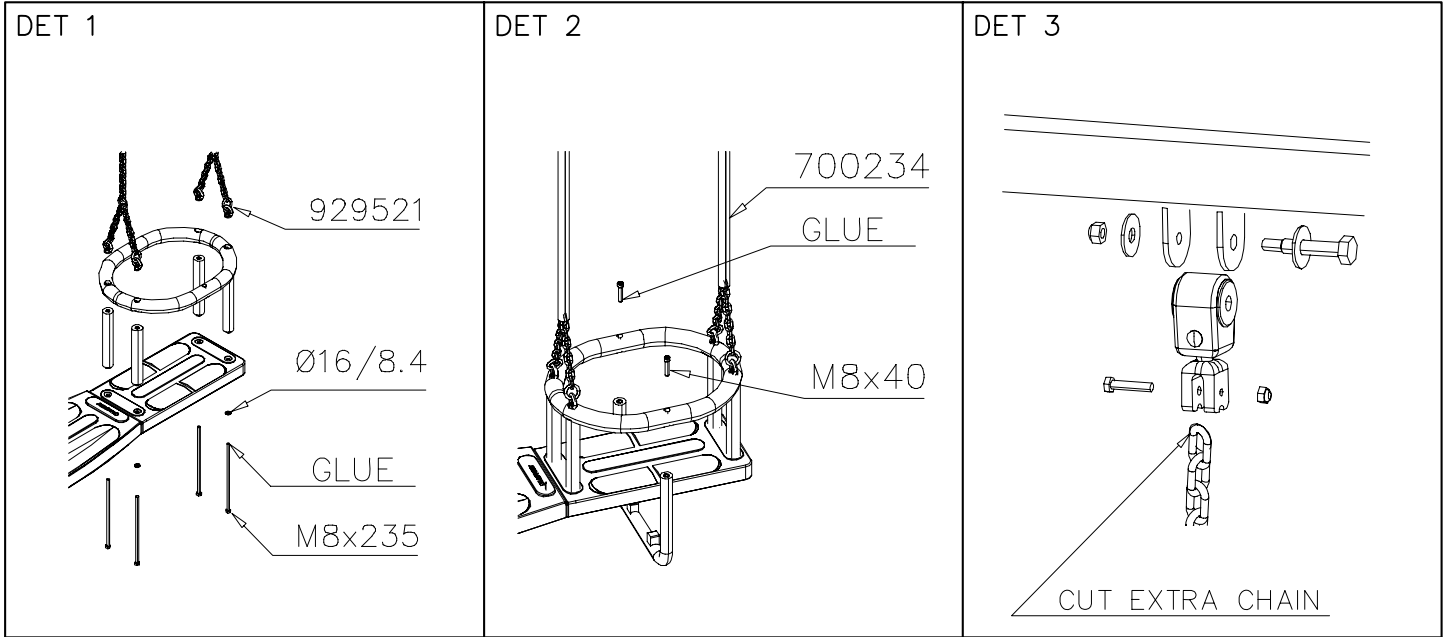


① 700234	PCS	② 902983	PCS
	4		1
∅25/21x700			
③ 929521	PCS	④ 999561	PCS
	4		1
~1680		3mm	
⑤ 902613	PCS		PCS
	4		
	PCS		PCS
	PCS		PCS
	PCS		PCS
	PCS		PCS
	PCS		PCS
	PCS		PCS
	PCS		PCS



This product is created and designed by Lappset Group Ltd. This product is protected both by international intellectual property treaties and regulations as well as many national intellectual property laws. Lappset Group Ltd will monitor its exclusive rights actively. Violators will be prosecuted.